

Slim-Profile TV Mount

QUICK SETUP GUIDE

DX-TVM113

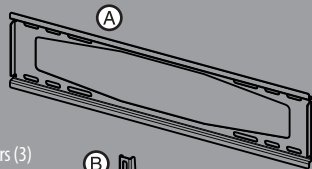
Thank you for choosing the Dynex DX-TVM113. The DX-TVM113 TV mount is designed to support a TV weighing up to 100 lbs. (45 kg).

Package contents

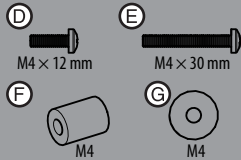
- A Wall plate (1)
- B Left TV bracket (1)
- C Right TV bracket (1)
- M4 Bag
 - D M4 × 12 mm screws (4)
 - E M4 × 30 mm screws (4)
 - F M4 spacers (4)
 - G M4 washers (8)
- M6 Bag
 - H M6 × 12 mm screws (4)
 - I M6 × 20 mm screws (4)
 - J M6 × 35 mm screws (4)
- M8 Bag
 - K M8 × 16 mm screws (4)
 - L M8 × 40 mm screws (4)
 - M M6/M8 spacers (4)
 - N M6/M8 washers (4)
- Lag Bolt Bag
 - O Wall anchors (3)
 - P 5/16 in. (7.9 mm) washers (3)
 - Q 5/16 in. × 2 1/2 in. lag bolts (3)

Tools you will need:

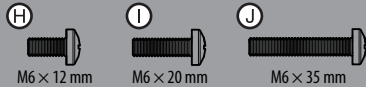
- Power drill
- 3/16 in. wood drill bit
- 1/2 in. masonry drill bit
- Phillips screwdriver
- Level
- Socket wrench with 1/2 in. socket or adjustable wrench
- Pencil
- Stud finder
- Awl



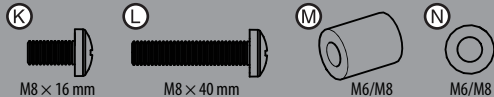
M4 Bag



M6 Bag



M8 Bag



Lag Bolt Bag



1 Attach the TV brackets

Option 1: Attaching to a flat mounting surface

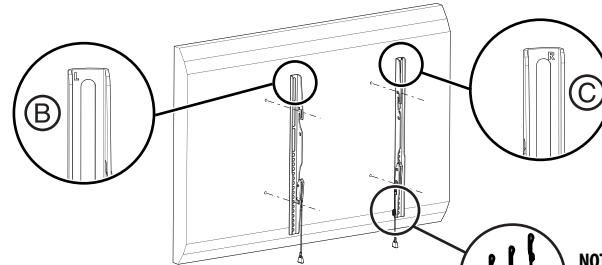
Attach the left and right TV brackets (B and C) to the back of the TV using: The M4 washers (G) and the M4 screws (D).

Or

The M6/M8 washers (N) and the M6 screws (H or I).

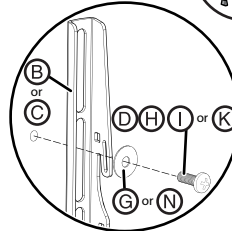
Or

The M6/M8 washers (N) and the M8 screws (K)



NOTE: Adjust to shorten or hide the cords

NOTE: Determine if there is sufficient space between the back of the TV and the wall to connect all your cables before proceeding. You may need to use the optional spacers to allow more clearance between the back of the TV and the wall.



Option 2 Attaching to a rounded mounting surface

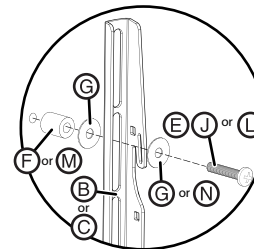
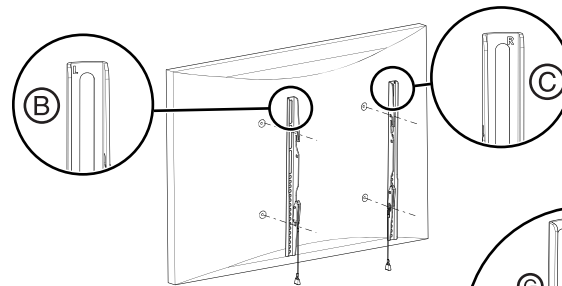
Attach the left and right TV brackets (B and C) to the back of the TV using: The M4 spacers (F), M4 washers (G), and the M4 screws (E).

Or

The M6/M8 spacers (M), M6/M8 washers (N), and the M6 screws (J).

Or

The M6/M8 spacers (M), M6/M8 washers (N), and the M8 screws (L).



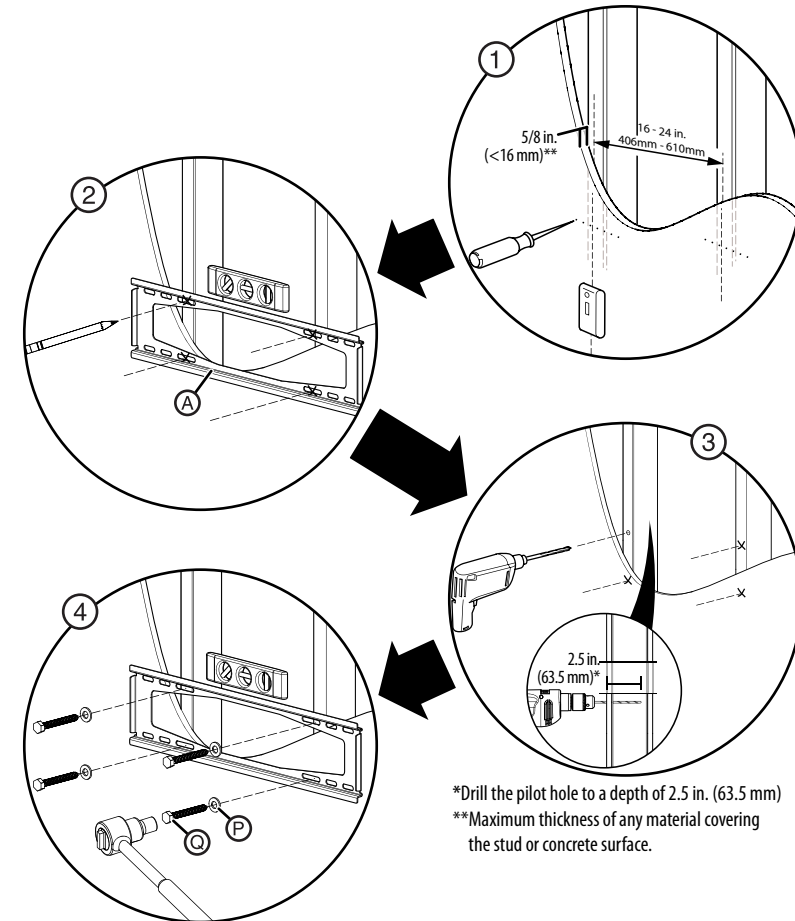
2 Install the wall plate

Option 1: Installing to a wood stud wall

- 1 Locate the studs. Verify the center of the stud with an awl or thin nail or use an edge to edge stud finder.
- 2 Level the wall plate (A) and mark the hole locations.
- 3 Drill the pilot holes as illustrated.
- 4 Align the wall plate (A) with the pilot holes, then place the washers (P) over the holes. Insert the lag bolts (Q) through the washers, then tighten the lag bolts only until the washers are pulled firmly against the wall plate. DO NOT over-tighten the lag bolts (Q).

CAUTION: Avoid potential injuries or property damage!

Any material covering the wall must not exceed 5/8 in. (16 mm).



Drill the pilot hole to a depth of 2.5 in. (63.5 mm)

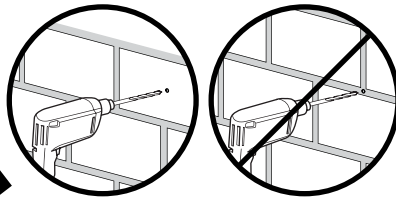
**Maximum thickness of any material covering the stud or concrete surface.

Option 2: Installing to a solid concrete or concrete block wall

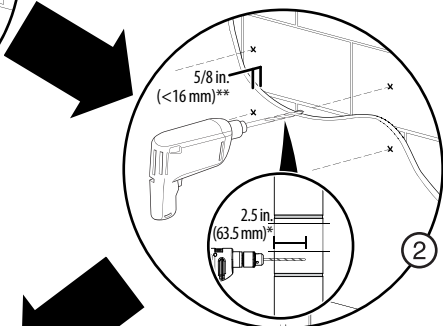
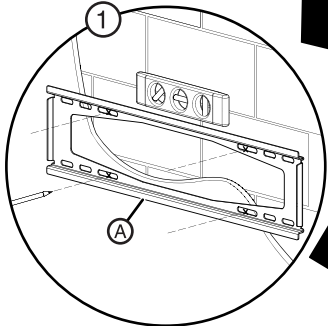
- 1 Level the wall plate (A) and mark the hole locations.
- 2 Drill the pilot holes as illustrated.
- 3 Insert the concrete wall anchors (O) into the pilot holes and make sure that the anchors are seated flush with the surface.
- 4 Align the wall plate (A) with the wall anchors, then place the washers (P) over the holes. Insert the lag bolts (Q) through the washers, then tighten the lag bolts only until the washers are pulled firmly against the wall plate. DO NOT over-tighten the lag bolts (Q).

CAUTION: Avoid potential injuries or property damage!

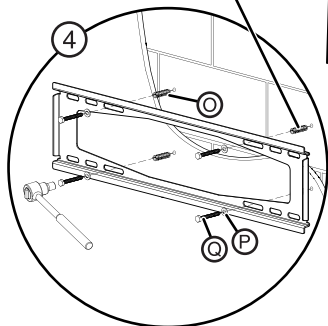
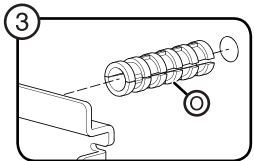
Any material covering the wall must not exceed 5/8 in. (16 mm).



CAUTION: To prevent property damage or personal injury, never drill into mortar between blocks.



*Drill the pilot hole to a depth of 2.5 in. (63.5 mm)
**Maximum thickness of any material covering the stud or concrete surface.

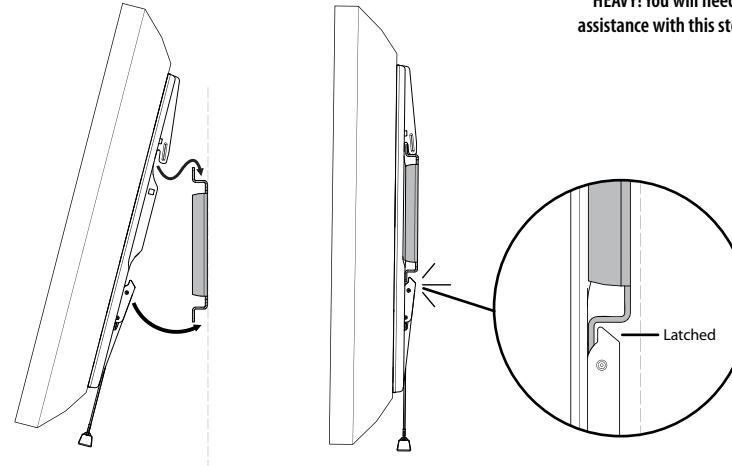


3 Mount the TV to the wall

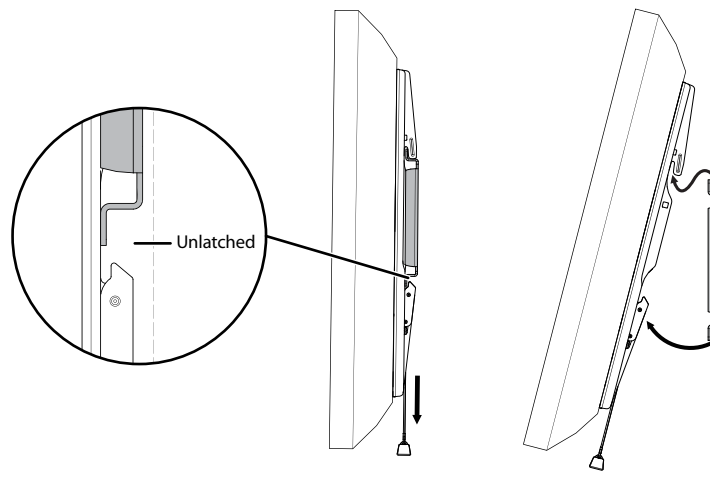
Slide the upper notches on the TV bracket over the upper flanges on the wall bracket.



HEAVY! You will need assistance with this step.



4 Remove the TV from the wall



DYNEX

IMPORTANT SAFETY INSTRUCTIONS SAVE THESE INSTRUCTIONS

CAUTION: Do not use this product for any purpose not explicitly specified by Dynex. Improper installation may cause property damage or personal injury. If you do not understand these directions, or have doubts about the safety of the installation, contact Customer Service or call a qualified contractor. Dynex is not responsible for damage or injury caused by incorrect installation or use.

The weight of your TV must not exceed 100 lb (45 kg). The wall must be capable of supporting five times the weight of the TV and wall mount combined.

This product contains small items that could be a choking hazard if swallowed. Keep these items away from young children!

3-year limited warranty

Visit www.dynexproducts.com for details.

We're here for you

www.dynexproducts.com

For customer service, call:

800-305-2204 (U.S./Canada markets)

01 800-926-3020 (Mexico market)

© 2010 BBY Solutions, Inc., All Rights Reserved.

Distributed by Best Buy Purchasing, LLC 7601 Penn Avenue South, Richfield, MN USA 55423-3645

Best Buy Imports, S. de R.L. de C.V. Av. Santa Fe 485, Segundo Piso, Colonia Cruz Manca, Programa Parcial de Desarrollo Santa Fe, Delegación Cuajimalpa, Distrito Federal, México 05349

© 2010 Best Buy UK Distributions Limited. All rights reserved. Distributed by Best Buy Europe Distributions Limited, 1 Portal Way, London W3 6RS

DYNEX is a trademark of BBY Solutions, Inc. Registered in some countries. All other products and brand names are trademarks of their respective owners.

6907-002011 <00>

ENGLISH 10-0165