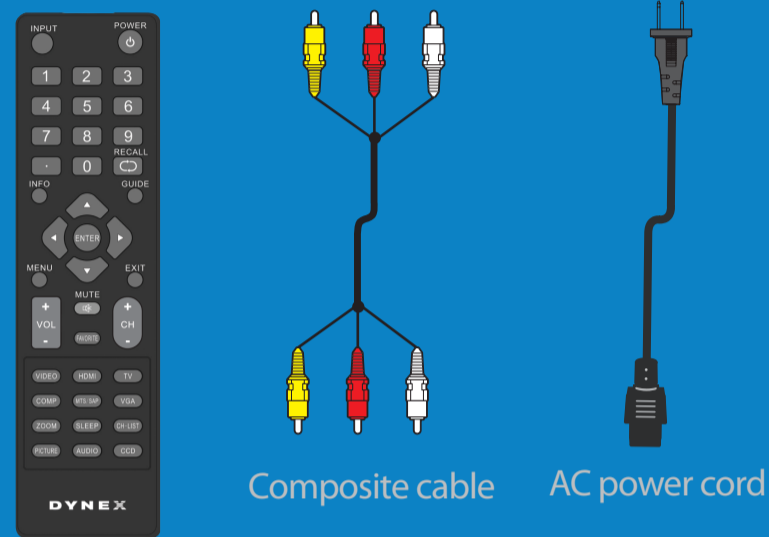
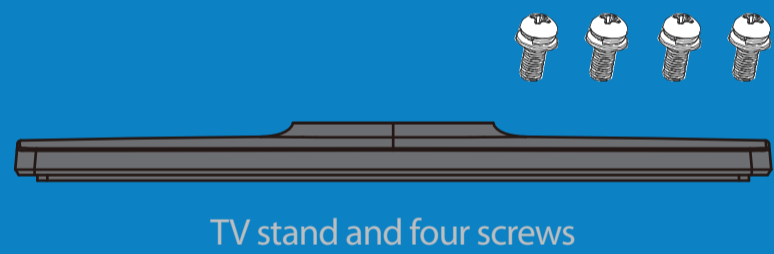


32"/40" LCD TV QUICK SETUP GUIDE

DX-32L221A12 / DX-40L260A12

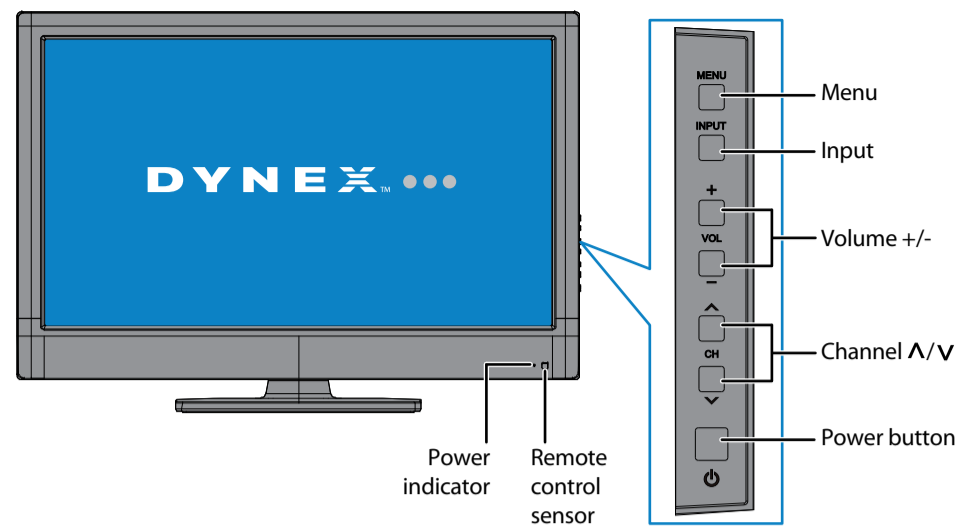


Remote control and 2 AAA batteries



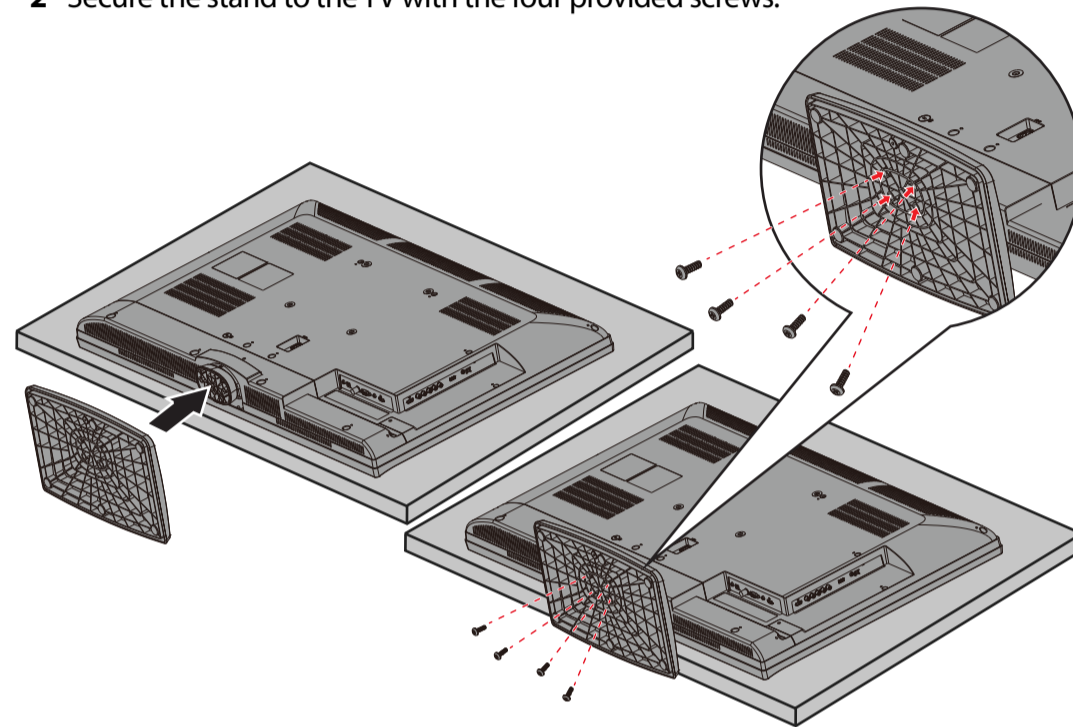
TV stand and four screws

Front features



Installing the stand

- Carefully place your TV screen face-down on a cushioned, clean surface to protect the screen from damage and scratches.
- Secure the stand to the TV with the four provided screws.



Installing a wall-mount bracket

- Carefully place your TV screen face-down on a cushioned, clean surface to protect the screen from damages and scratches.
- Remove the four screws that secure the base to the stand, then remove the base.
- Remove the four screws that secure the stand column, then remove the column.
- Attach the wall-mount bracket to your TV using the mounting holes on the back of your TV. See the instructions that came with the wall-mount bracket for information about how to correctly hang your TV.

Warning
This apparatus is intended to be supported by a UL Listed wall mount bracket.

Identifying cables

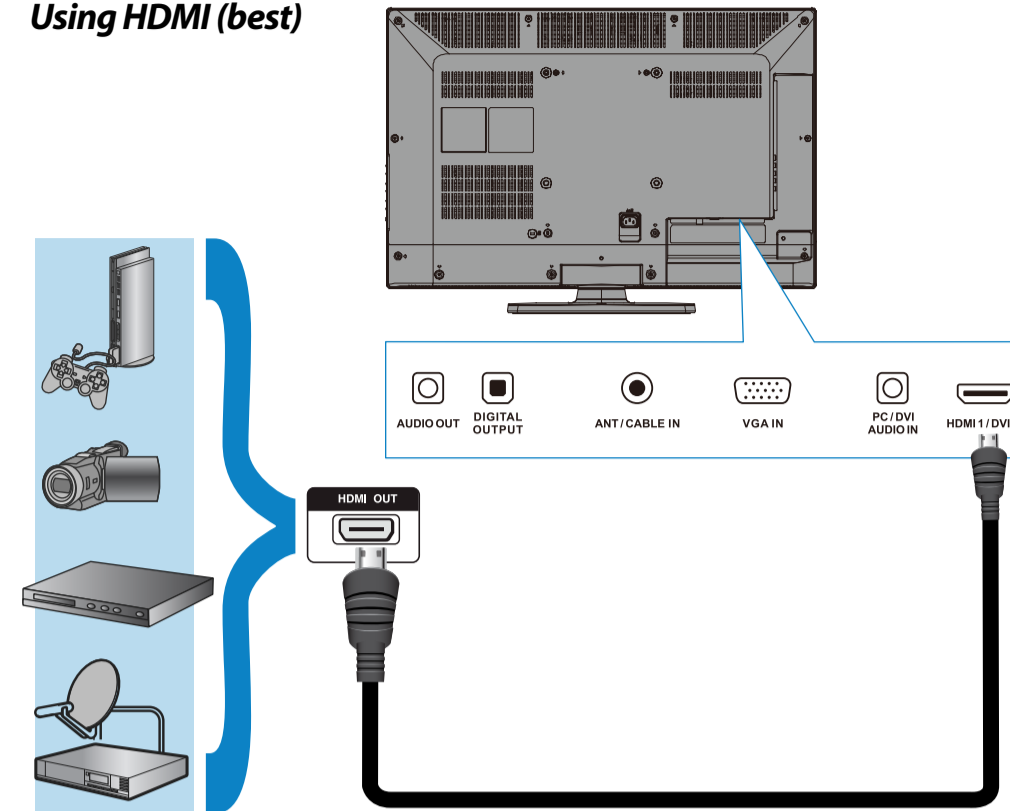
Your TV has several connection types for connecting devices. For the best video quality, connect a device to the best available connection.

Connection type	Video quality	Cable connector
HDMI video/audio	Best	
OR		
Component video and analog audio	Better	
OR		
Composite video and analog audio	Good	

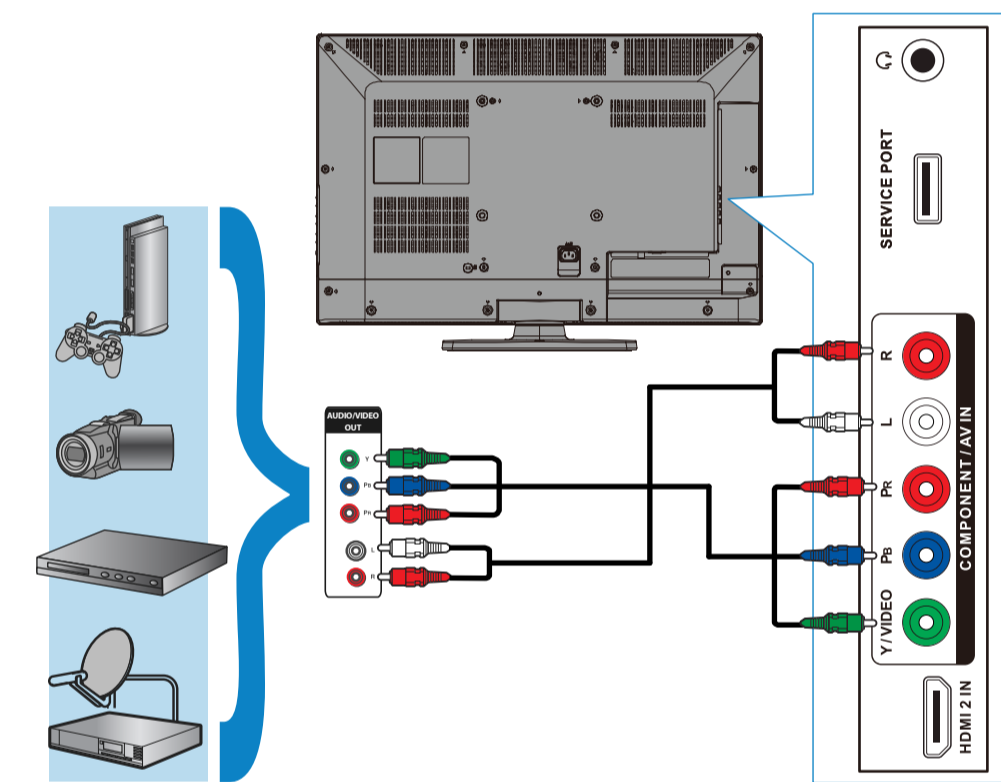
You can use an HDMI 1 jack to connect a DVI device to your TV. You need to attach an HDMI-to-DVI adapter to the end of the HDMI cable that connects to the DVI device's jack.

Connecting a DVD or Blu-ray DVD player, cable box, satellite receiver, or game station

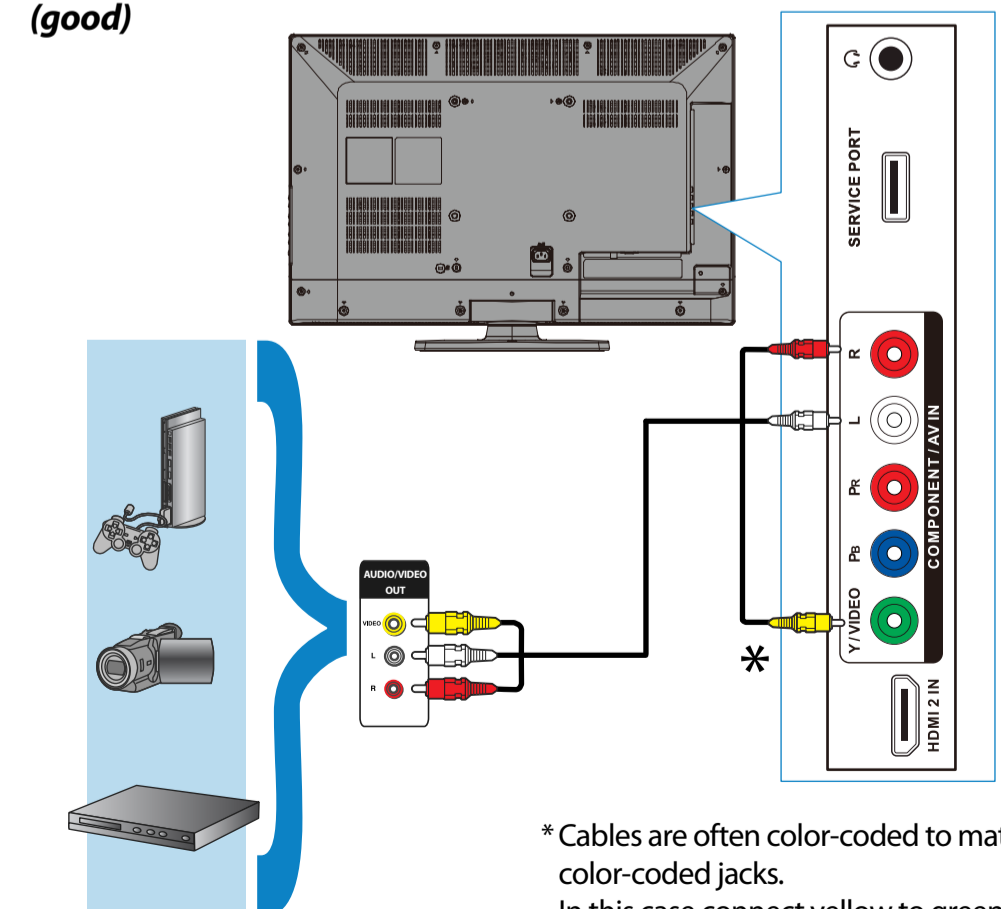
Using HDMI (best)



Using component cables (better)



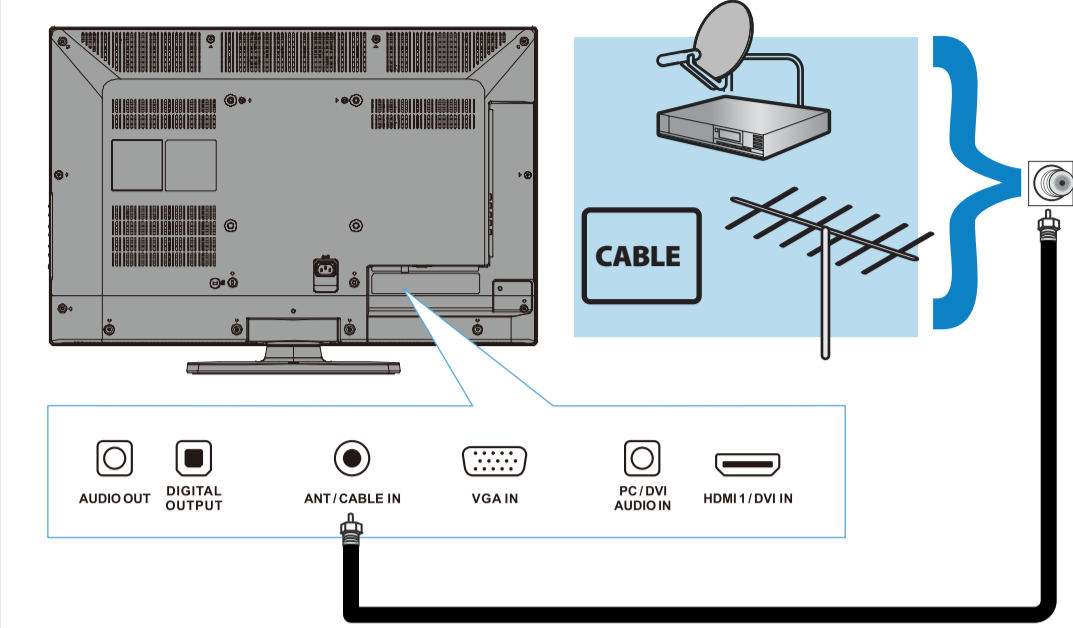
Using composite cables (good)



* Cables are often color-coded to match color-coded jacks. In this case connect yellow to green (Y), red to red, and white to white.

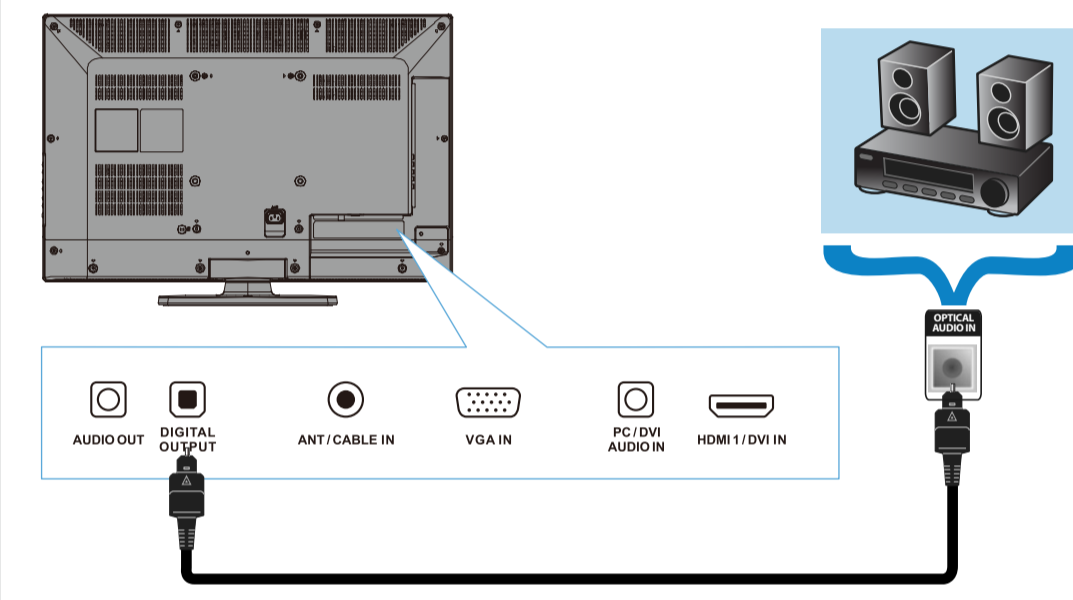
Connecting an antenna/cable wall jack

Connect a coaxial cable (not included) to the ANT/CABLE IN jack on the back of your TV and to the Antenna/Cable wall jack.

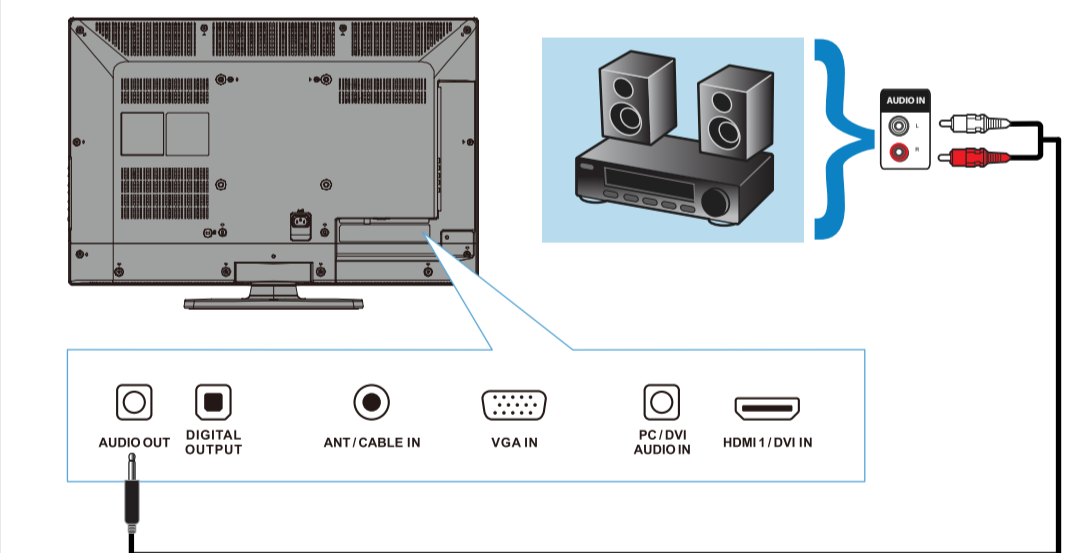


Connecting a Home Theater System

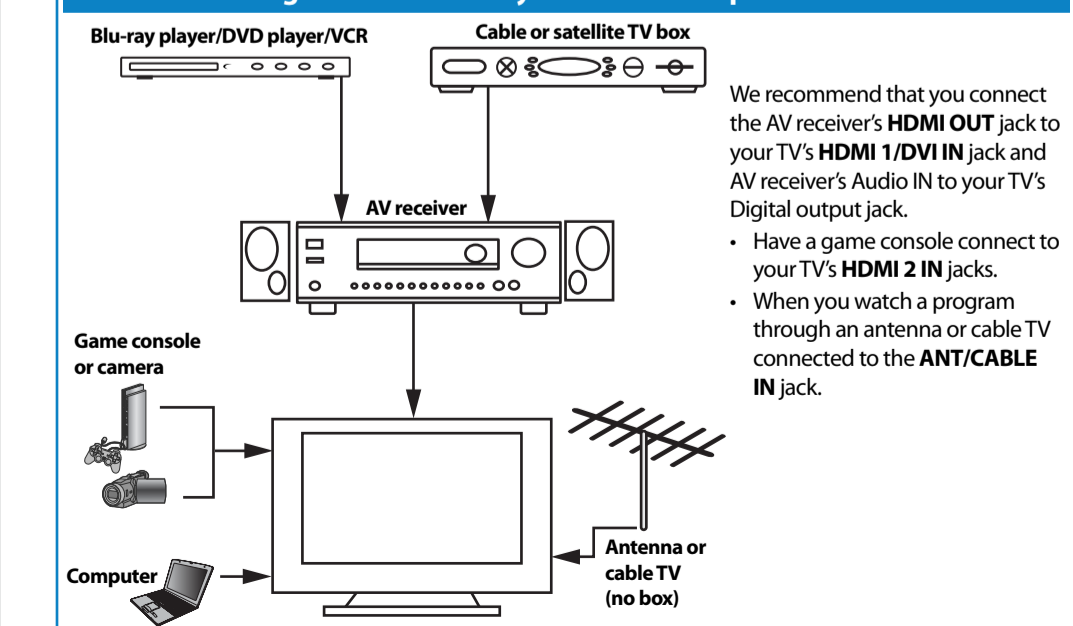
Using Digital audio



Using Analog audio



Connecting a home theater system with multiple devices



We recommend that you connect the AV receiver's **HDMI OUT** jack to your TV's **HDMI 1/DVI IN** jack and AV receiver's Audio IN to your TV's Digital output jack.

- Have a game console connect to your TV's **HDMI 2 IN** jacks.
- When you watch a program through an antenna or cable TV connected to the **ANT/CABLE IN** jack.

WE ARE GOING GREEN!

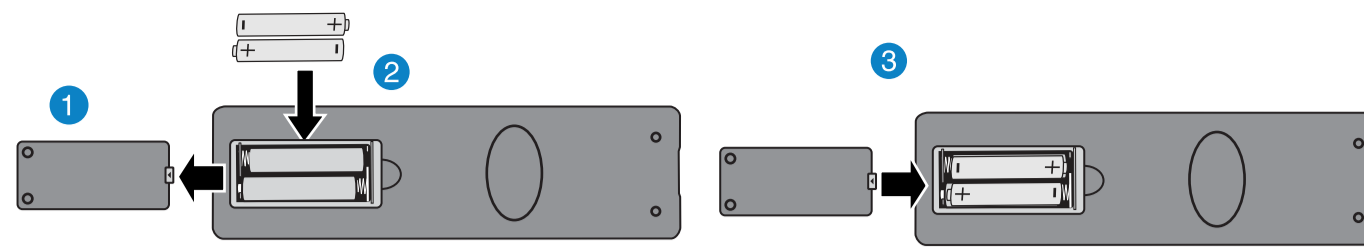
A copy of your User Guide is not provided in the box but is available online.

Go to www.dynexproducts.com, click **Support & Service**. Enter your model number in the **Search** field, then press **Enter**. Click **Support/Downloads**.



Setting up and using your remote control

- 1 Press the release button on the back of the remote control to remove the battery compartment cover.
- 2 Insert two AAA batteries into the battery compartment. Make sure that the + and - symbols on the batteries match the + and - symbols in the battery compartment.
- 3 Replace the cover.



Input
Opens the Source list.

Numbers
Enter channel numbers.

INFO
Opens a TV status banner.

ENTER
Confirms selections or changes.

MENU
Opens the on-screen menu.

MUTE
Mutes the sound.

Volume
Changes the volume.

Quick Launch Inputs
Selects another source connected to your TV.

ZOOM
Changes how the picture displays on the screen.

PICTURE
Selects the video modes.

SLEEP
Sets the sleep timer.

Power
Turns your TV on or off.

RECALL
Returns to the previous channel.

GUIDE
Displays the program guide.

Arrows
Navigates in on-screen menus.

EXIT
Closes the on-screen menu.

Channel
Changes the TV channels.

FAVORITE
Opens the Favorite Channel List.

MTS/SAP
Cycles through mono, stereo, and SAP for analog programs.

CH-LIST
Opens the channel list.

CCD
Turns closed captioning on or off.

AUDIO
Selects the audio modes.

Input Source
TV
Component/AV
VGA
HDMI 1
HDMI2

Picture Mode
Energy Savings
Contrast 50
Brightness 50
Color 58
Tint 0
Sharpness +10
Backlight 43

Aspect ratio options

- Normal:** Displays the original aspect ratio with black bars vertical on the left and right hand side of the screen.
- Zoom:** Expands the image to fill the screen. The top and bottom of the image may be cropped.
- Wide:** Use this option to view content recorded in a 16:9 (wide-screen) aspect ratio.
- Cinema:** Stretches the image at the edges, but keeps a clear image in the center.
- Auto:** Automatically adjusts the image based on the screen size and the TV program. **Note:** Auto is only available when Auto Zoom in the CHANNELS menu is set to On.

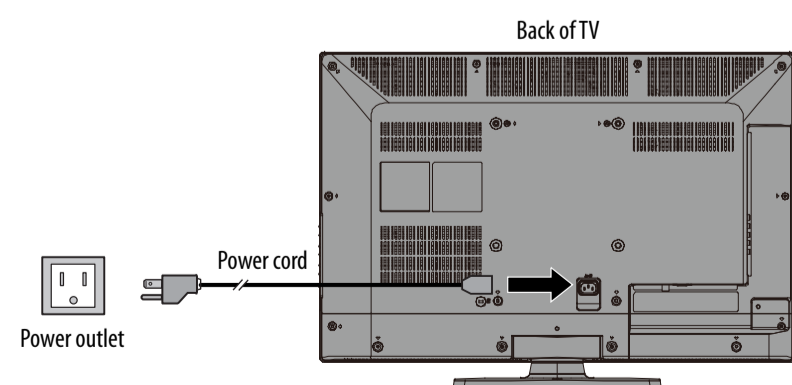
Programming your remote control

To program your universal remote control to work with your new Dynex TV, see the table for common codes. If you have problems programming your remote or need a different remote control code, visit <http://www.dynexproducts.com/remotecodes> for the latest remote control code information.

Universal remote TV codes												
Universal remote controls				Cable/Satellite/Set-top box								
One for All	Philips	RCA	Sony	Cablevision	Charter	Comcast	Cox	DirectTV	Dish Network	Time Warner	TiVo	Verizon
0054	0198, 0490	135	068, 069, 078, 096, 100, 164, 168, 229, 026	068, 069, 078, 096, 100, 164, 168, 229, 026	2002, 1204, 1423, 1517, 0171, 1963, 0463, 1463, 0842, 1326, 167, 415, 424, 450, 456, 461, 507, 523, 567, 577, 586	10171, 11204, 11326, 11463, 11517, 11641, 11780, 11785, 11892, 11963, 12002	1326, 1463	10171, 11204, 11326, 11517, 11564, 11641, 11963, 12002	720	400, 450, 461, 456, 10463, 1463, 0463	0091	0198, 0490

Connecting power

Plug the AC power cord into the **AC IN** jack on the back of your TV, then plug the other end of the cord into a power outlet.



Turning on your TV for the first time

- 1 Connect the power cord to your TV and to a power outlet, then press **Power**. The power indicator turns off and the *Choose Your Menu Language* screen opens.
- 2 Press **▲** or **▼** to highlight a language, then press **ENTER**. The *Choose Your Time Setting* screen opens with **Mode** highlighted.
- 3 Press **◀** or **▶** to select **Auto** or **Manual**. If you select **Auto**, the date and time are set automatically from a digital TV signal. If you select **Manual**, you can manually set the date and time. Press **ENTER**.
- 4 Press **▲** or **▼** to highlight **Home mode** or **Retail mode**, then press **ENTER**. If you select **Retail mode**, a message asks you to confirm your selection. Select **Yes** or **No**. **Retail mode** is not an energy-saving mode. The *Choose Your TV Source* screen opens.
- 5 Press **▲** or **▼** to highlight **Antenna**, **Cable**, or **Cable/Satellite box**. If you select **Antenna** or **Cable**, your TV scans for available channels. The scan may take several minutes. **If you select Cable/Satellite box, your TV does not scan for channels.**



DYNEX

One-year limited warranty

Visit www.dynexproducts.com for details.

Need additional help?

See your *User Guide*! This comprehensive guide includes everything from basic how-to steps to more advanced features. Go to www.dynexproducts.com, click **Support & Service**. Enter your model number in the **Search** field, then press **Enter**. Click **Support/Downloads**.

We're here for you

www.dynexproducts.com
For customer service, call:
800-305-2204 (U.S./Canada markets)

Distributed by Best Buy Purchasing, LLC
7601 Penn Avenue South, Richfield, MN USA 55423-3645

© 2011 BBY Solutions, Inc., All Rights Reserved.
DYNEX is a trademark of BBY Solutions, Inc. Registered in some countries. All other products and brand names are trademarks of their respective owners.

WE ARE GOING GREEN!

A copy of your *User Guide* is not provided in the box but is available online.

Go to www.dynexproducts.com, click **Support & Service**. Enter your model number in the **Search** field, then press **Enter**. Click **Support/Downloads**.

