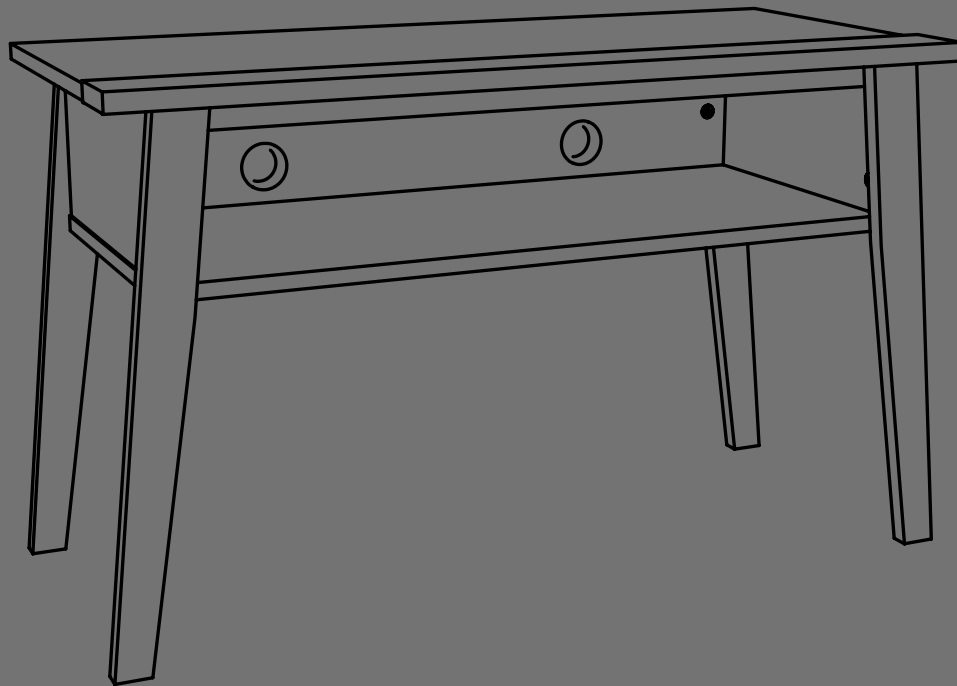




ASSEMBLY INSTRUCTIONS

DX-WD1335

Wood TV Stand



Tools needed.....	2
Parts	3
Hardware.....	4
Assembly instructions	5

Safety information and specifications



CAUTION: This stand's wood surface is intended only for use with a product not weighing more than 50 lbs (22.7 kg) and having a width that will permit it to sit evenly on the stand with no more than one-inch overhang on each side on the top shelf. Using with other products, including products that weigh more than the maximum weight allowed, may result in instability, which may cause possible injury.

Model #: DX-WD1335

Distributed by Best Buy Purchasing, LLC

Weight capacity (top shelf): 50 lbs (22.7 kg)

Weight capacity (lower shelf): 25 lbs (11.34 kg.)

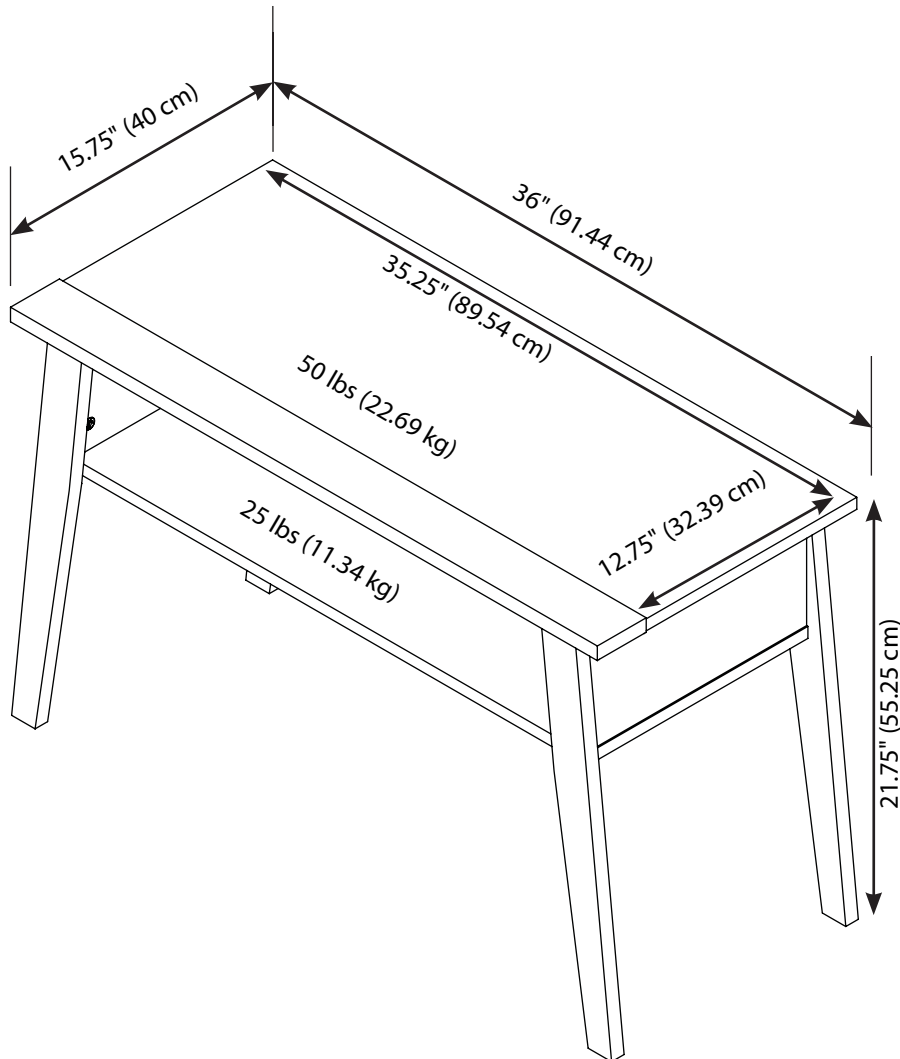
Overall dimensions (W × H × D):

36 × 21.75 × 15.75 in. (91.44 × 55.25 × 40 cm)

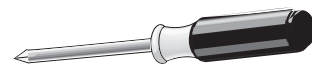
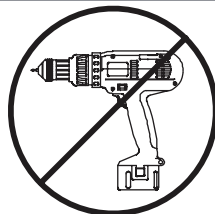
Top shelf (W × D): 35.25 × 12.75 in. (89.54 × 32.39 cm)

Usable lower shelf (W × H × D):

30.25 × 5.5 × 12.75 in. (76.84 × 13.97 × 32.39 cm)



Tools needed

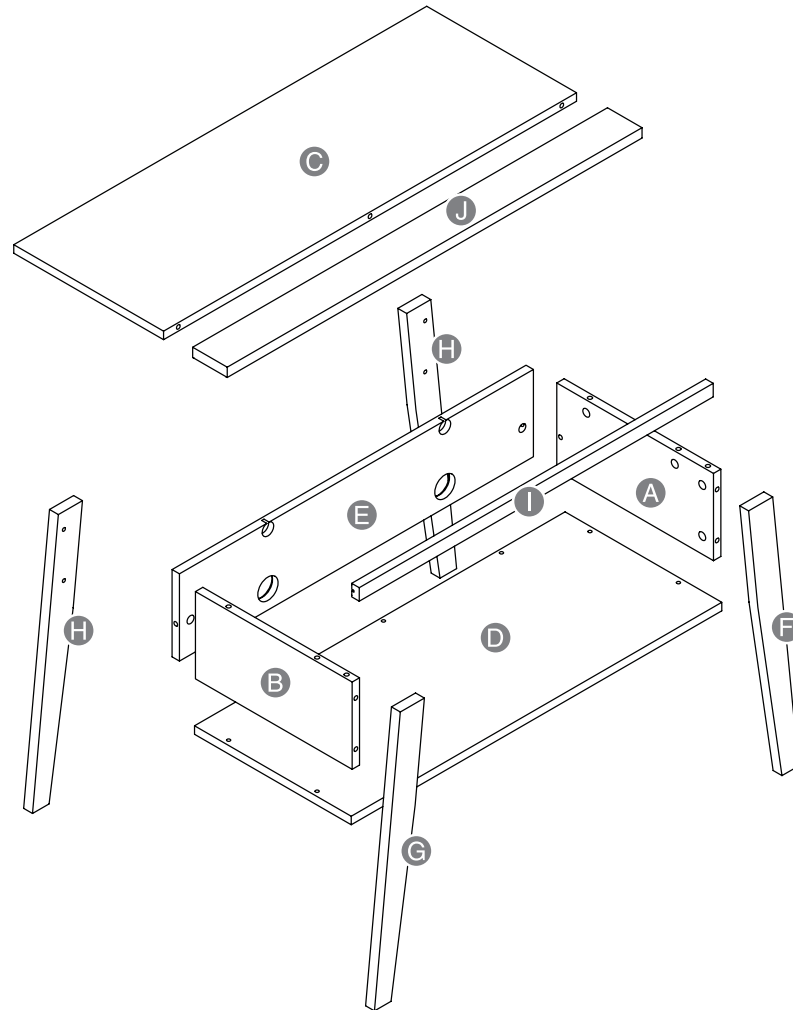


No. 2 Phillips screwdriver

Need help? Call 800-305-2204

Package contents: parts

Note: Some parts have a label on the edge to help distinguish similar parts from each other. Use this illustration to help identify similar parts.

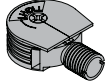
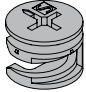
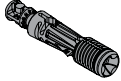
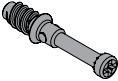

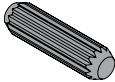


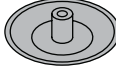


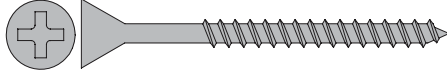
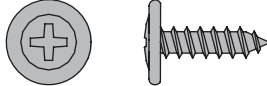
Item	Description	Qty.
A	Right end	1
B	Left end	1
C	Top	1
D	Lower shelf	1
E	Back	1

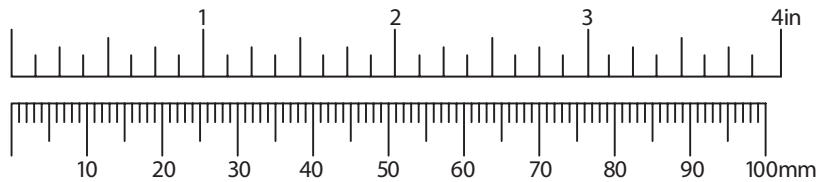
Item	Description	Qty.
F	Right front leg	1
G	Left front leg	1
H	Rear leg	2
I	Skirt	1
J	Stop molding	1

Package contents: hardware

Make sure that you have all the hardware necessary to assemble your new TV stand:

Label	Hardware	Qty.
K	 Twist-lock® fastener	2
L	 Hidden cam	13
M	 Cam dowel	6
N	 Cam screw	7
O	 Angle bracket	2
P	 Wood dowel	2

Label	Hardware	Qty.
Q	 Cam cover	6
R	 Glue	1
S	 Warning label	1
T	 Black 1-7/8" flat head screw	11
U	 Black 9/16" large head screw	4



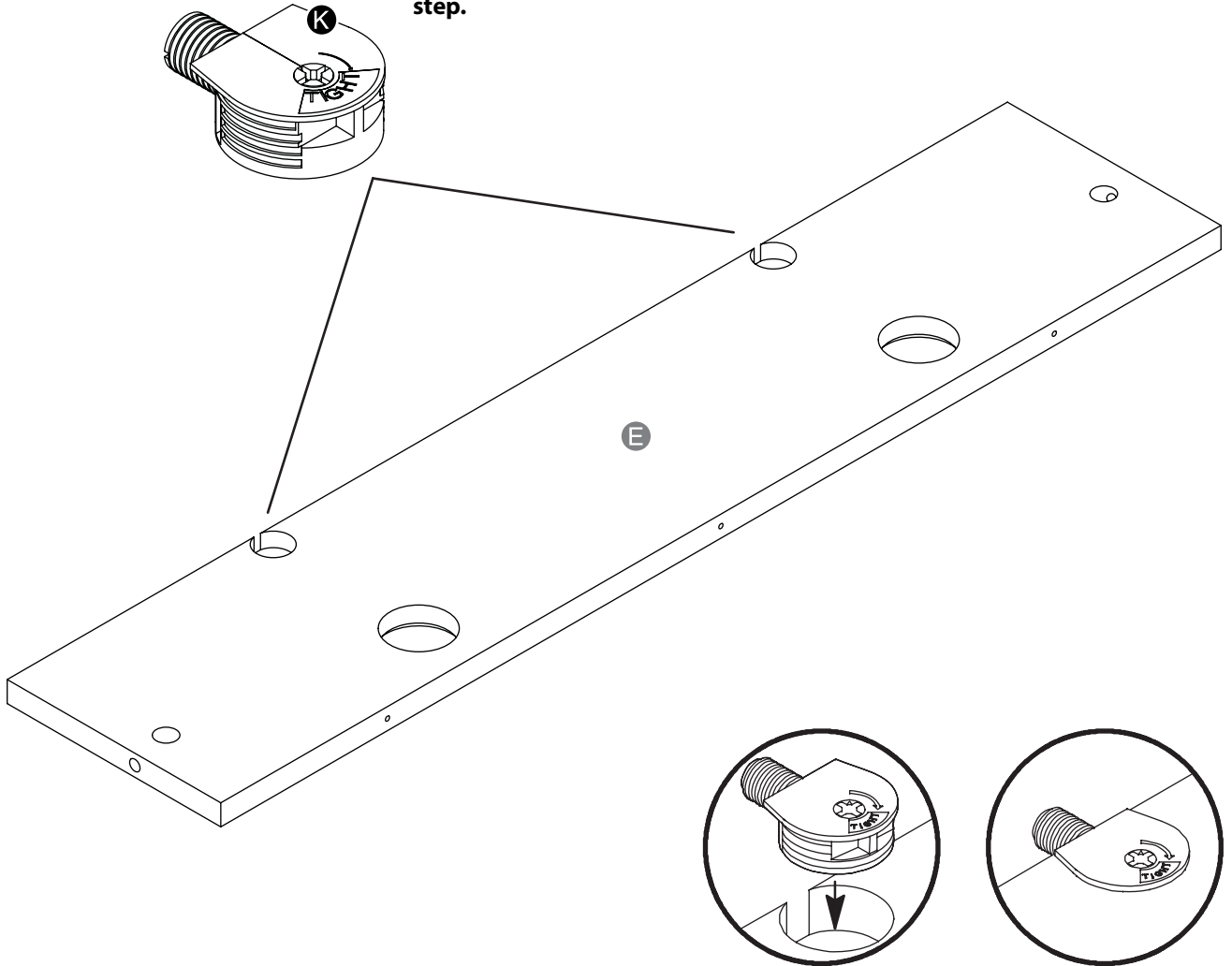
Need help? Call 800-305-2204

Step 1:

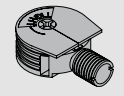
Caution: Assemble your TV stand on carpeted floor or on the empty carton to avoid scratching your stand or the floor.

Push a Twist-lock® fastener (**K**) into each of the two the holes in the back (**E**).

Important: Do not tighten the Twist-lock® fasteners in this step.



You'll need:

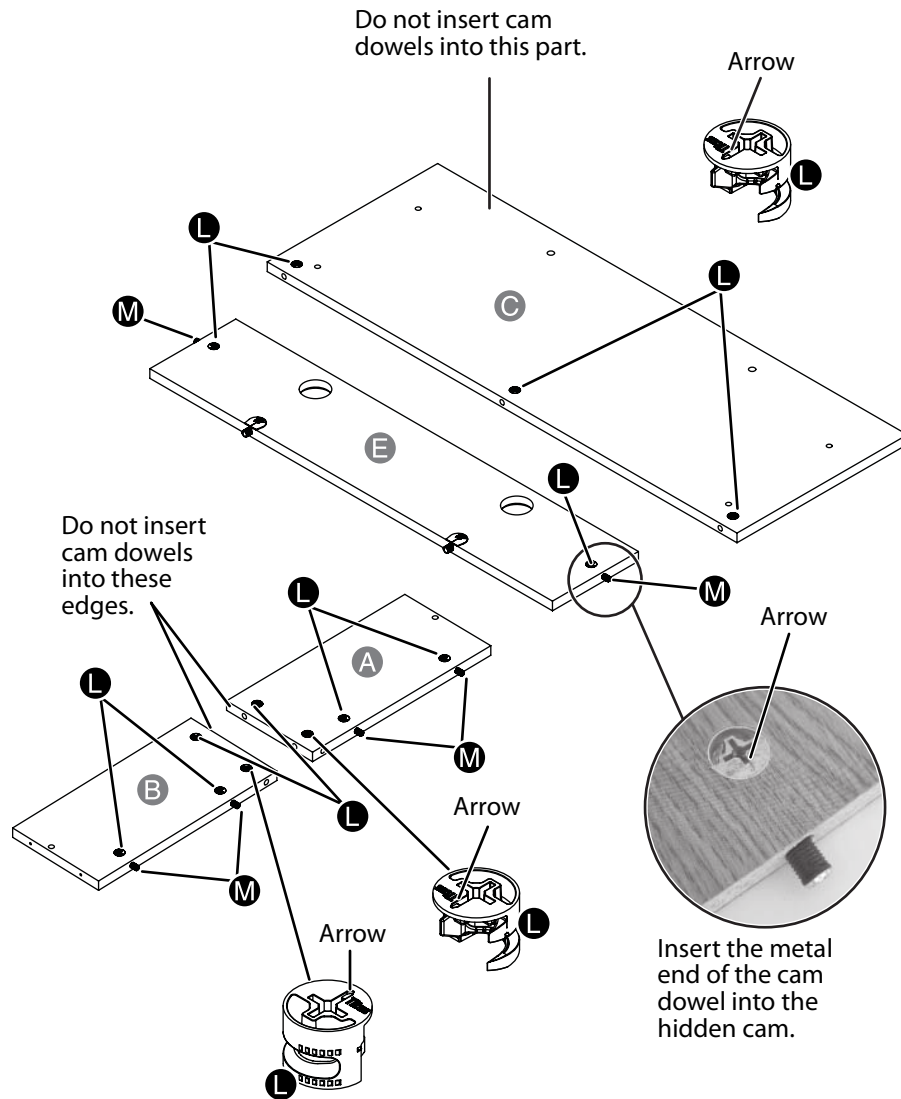


K (2)

Step 2:

- 1 Push 13 hidden cams (L) into the ends (A and B), top (C), and back (E). Make sure that the arrows on the hidden cams (L) are pointing toward the closest edge.
- 2 Insert the metal end of a cam dowel (M) into each hidden cam, except in the top (C) and short edge of each end (A and B).

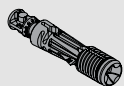
Important: Do not tighten the hidden cams in this step.



You'll need:



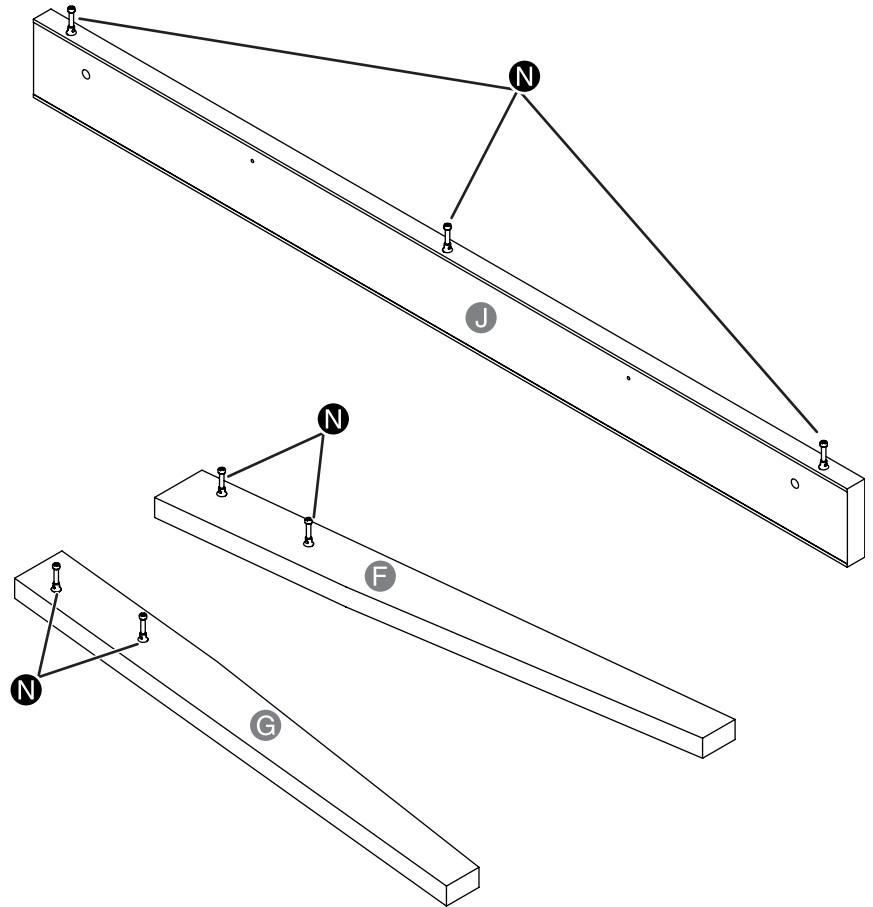
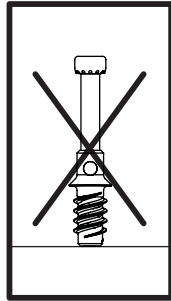
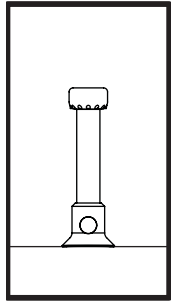
L (13)



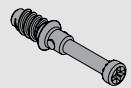
M (6)

Step 3:

Screw seven cam screws (**N**) into the front legs (**F** and **G**) and stop molding (**J**).



You'll need:

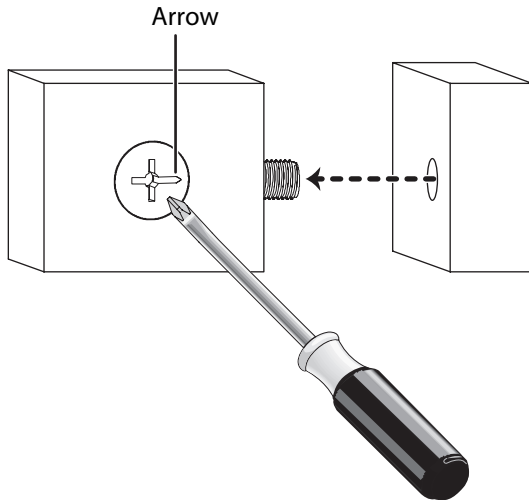


N (7)

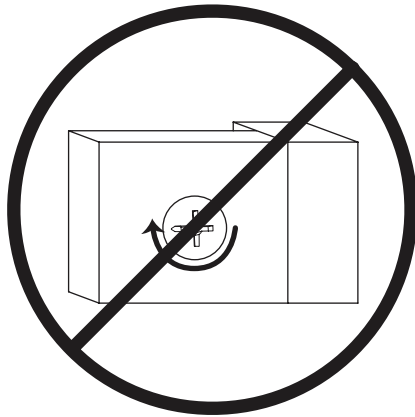
Tightening hidden cams:

In the **remaining** steps, use these illustrations for instructions on tightening hidden cams.

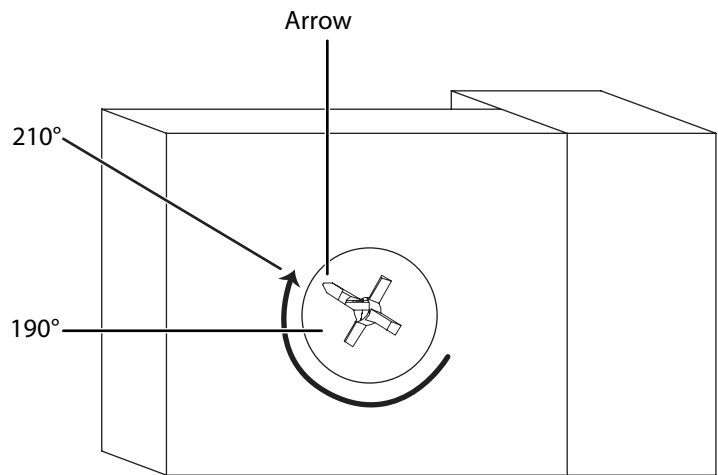
Warning: Risk of damage or injury. Hidden cams must be completely tightened. Hidden cams that are not completely tightened will loosen, and parts may separate.



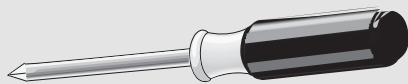
In the illustration below, the hidden cam has not been tightened enough.



Make sure that you turn the hidden cam a minimum of 190° to a maximum of 210°. Note the position of the arrow on the hidden cam.



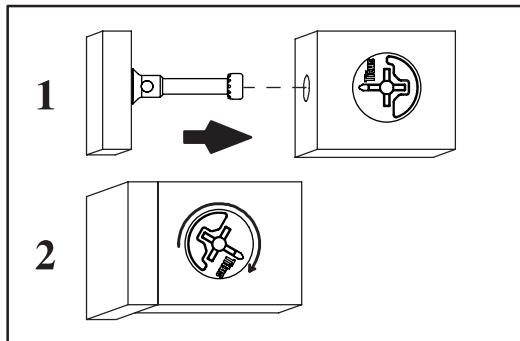
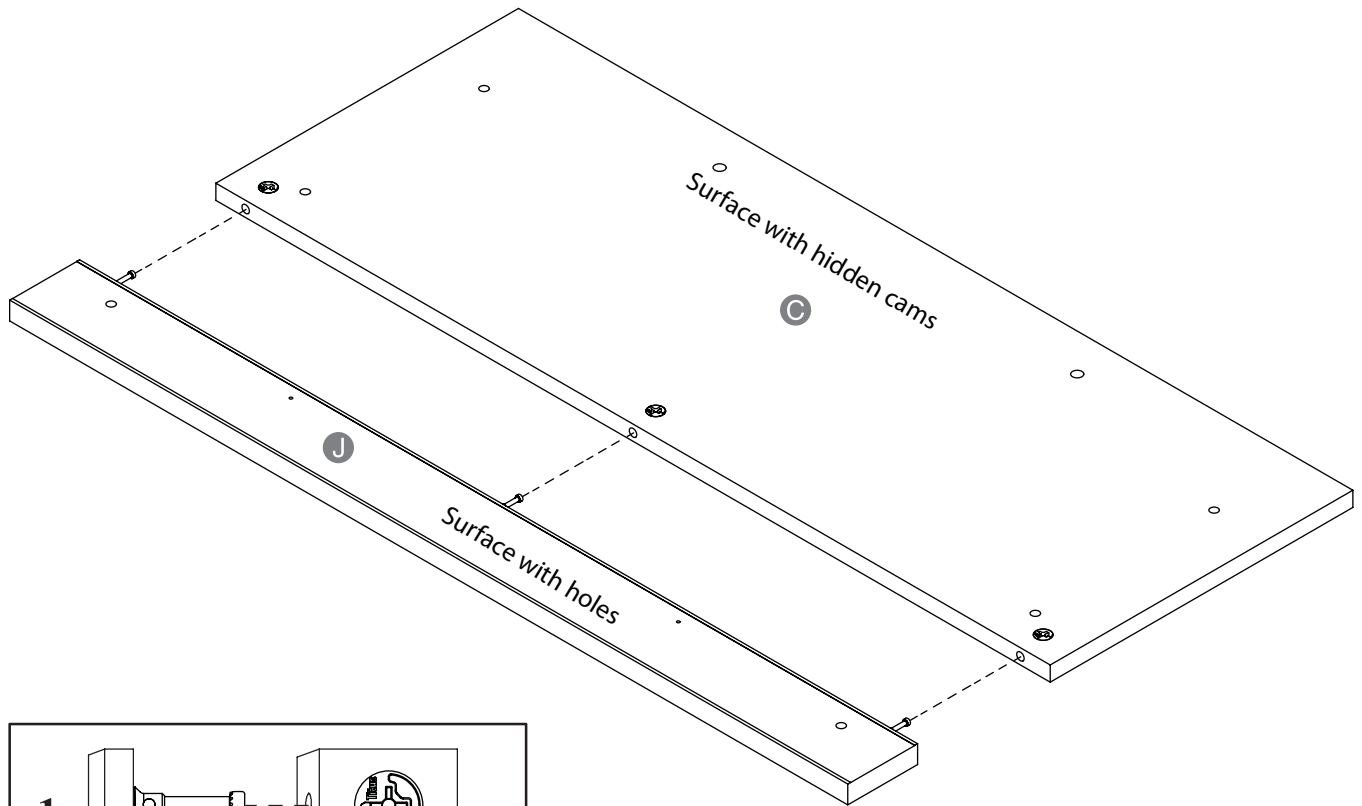
You'll need:



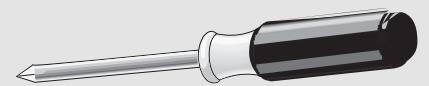
Phillips screwdriver

Step 4:

Align the stop molding (J) with the top (C), then tighten the three hidden cams.



You'll need:

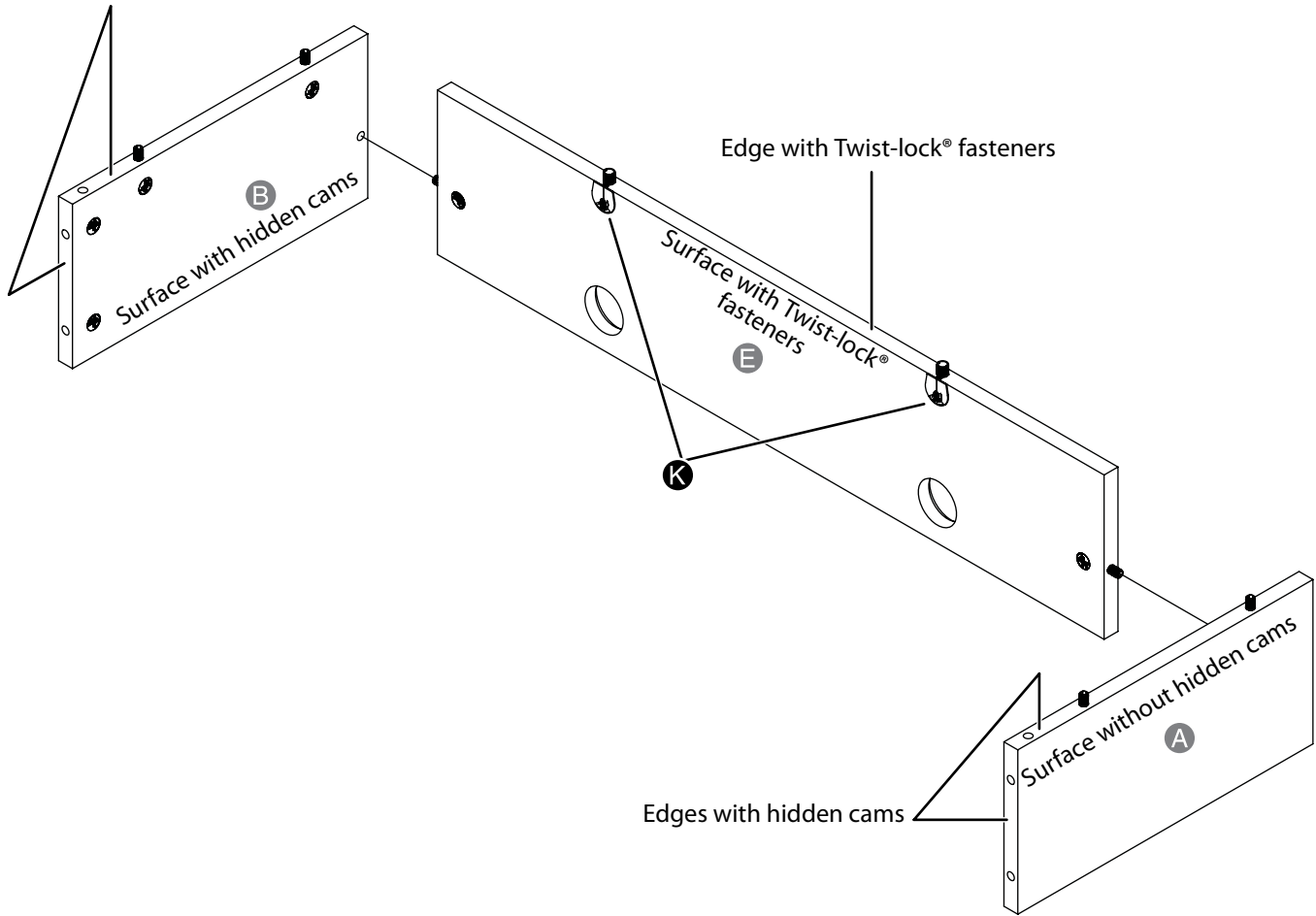
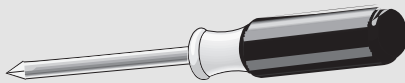


Phillips screwdriver

Step 5:

Align the ends (A and B) with the back (E), then tighten the two hidden cams.

Edges with hidden cams

**You'll need:**

Phillips screwdriver

Step 6:

Caution: Check the parts carefully before assembling. Disassembly of glued parts is extremely difficult.

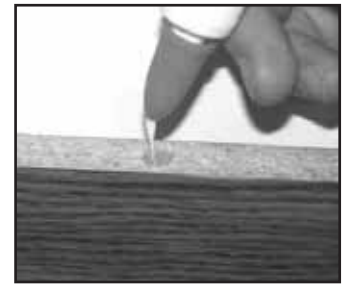
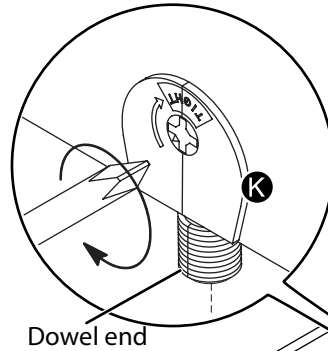
- 1 Fill the holes in the stop molding (J) 1/4 to 1/2 full with glue (R), then insert the wood dowels (P) into the holes. Wipe away the excess glue.
- 2 Drop a few beads of glue (R) into the holes in the ends (A and B).
- 3 Align the ends (A and B) and the back (E) with the top (C) and the stop molding (J). Make sure that the dowels, Twist-lock® fasteners, and cam dowels align with the correct holes, then tighten the four hidden cams and two Twist-lock® fasteners.

Note: Wipe away the excess glue with a damp cloth.

To use a Twist-lock® fastener:

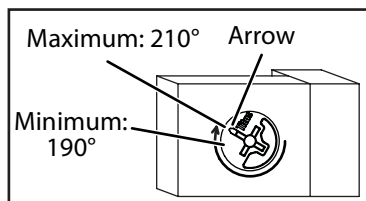
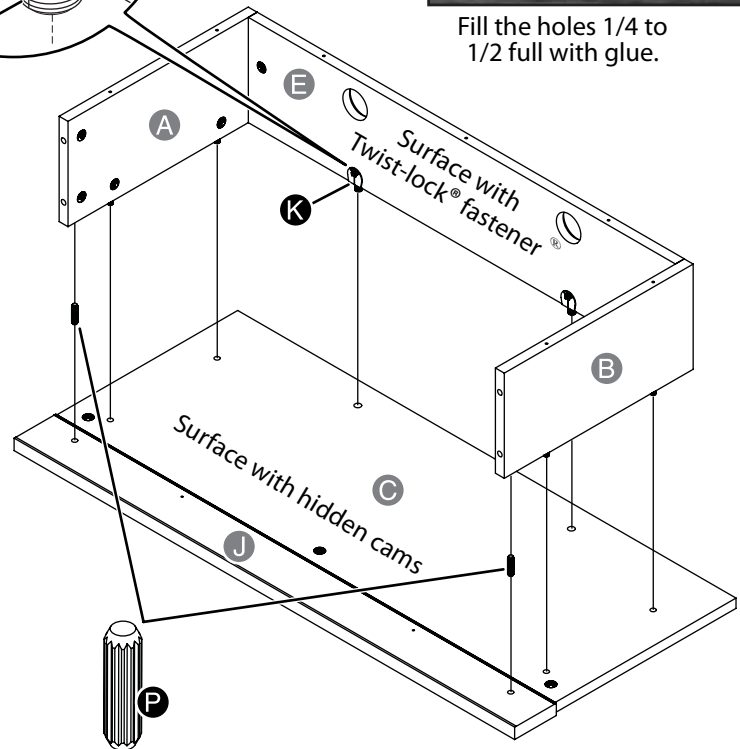
- 1 Insert the dowel end of the fastener into the hole of the adjoining part.

Note: The dowel end of the fastener must remain fully inserted in the hole of the adjoining part while locking the fastener.

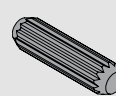


Fill the holes 1/4 to 1/2 full with glue.

- 2 Tighten the fastener with a Phillips screwdriver as tight as possible.



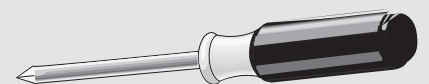
You'll need:



P (2)



R (1)

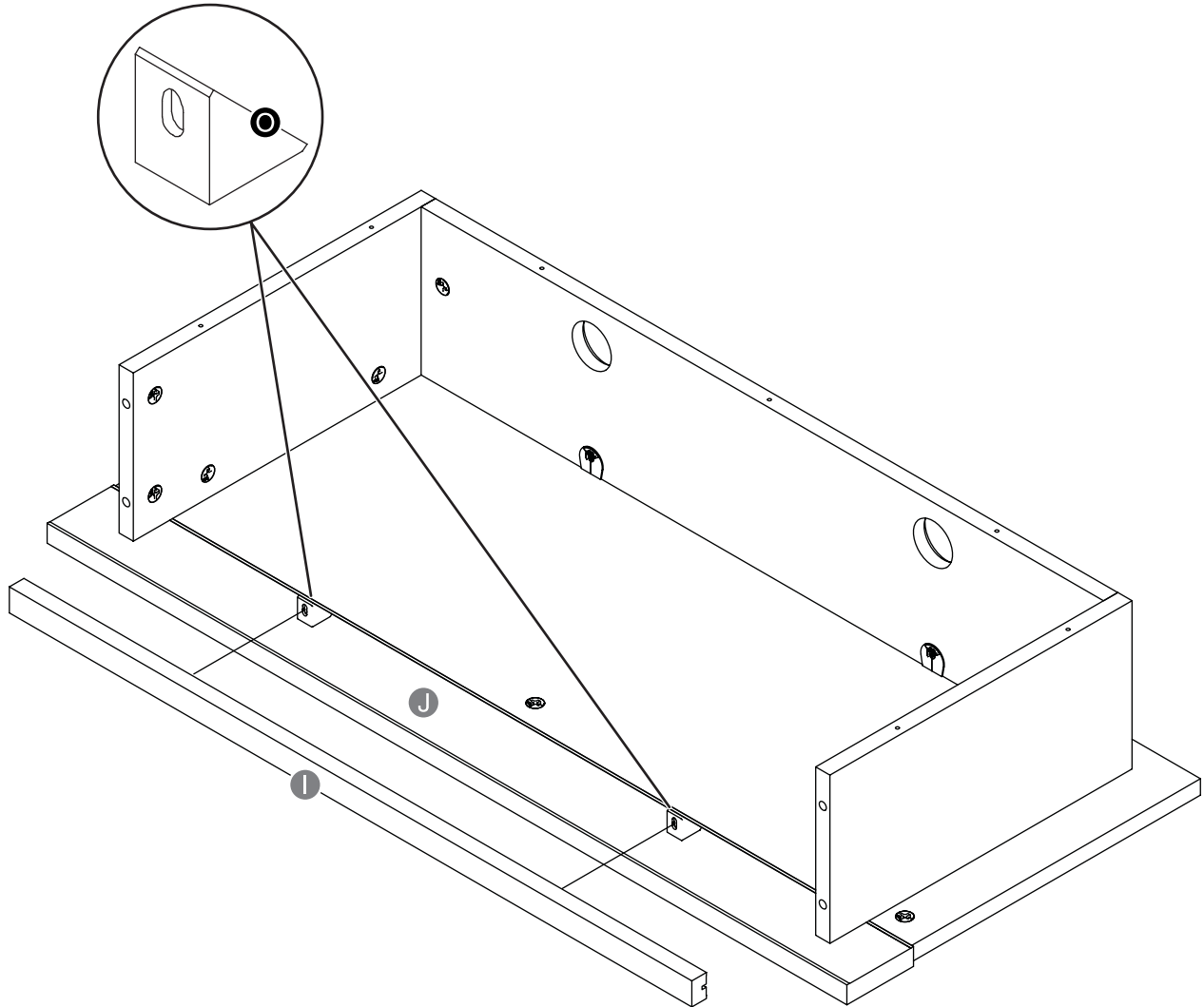


Phillips screwdriver

Step 7:

- 1 Attach two angle brackets (**O**) to the stop molding (**J**) using two black 9/16" large head screws (**U**).
- 2 Fasten the skirt (**I**) to the stop molding (**J**) using two black 9/16" large head screws (**U**).

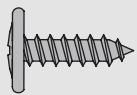
Note: There are no pre-drilled holes in the skirt. The screws tighten into the groove.



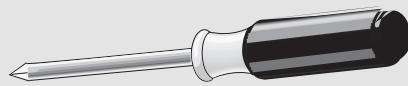
You'll need:



O (2)



U (4)

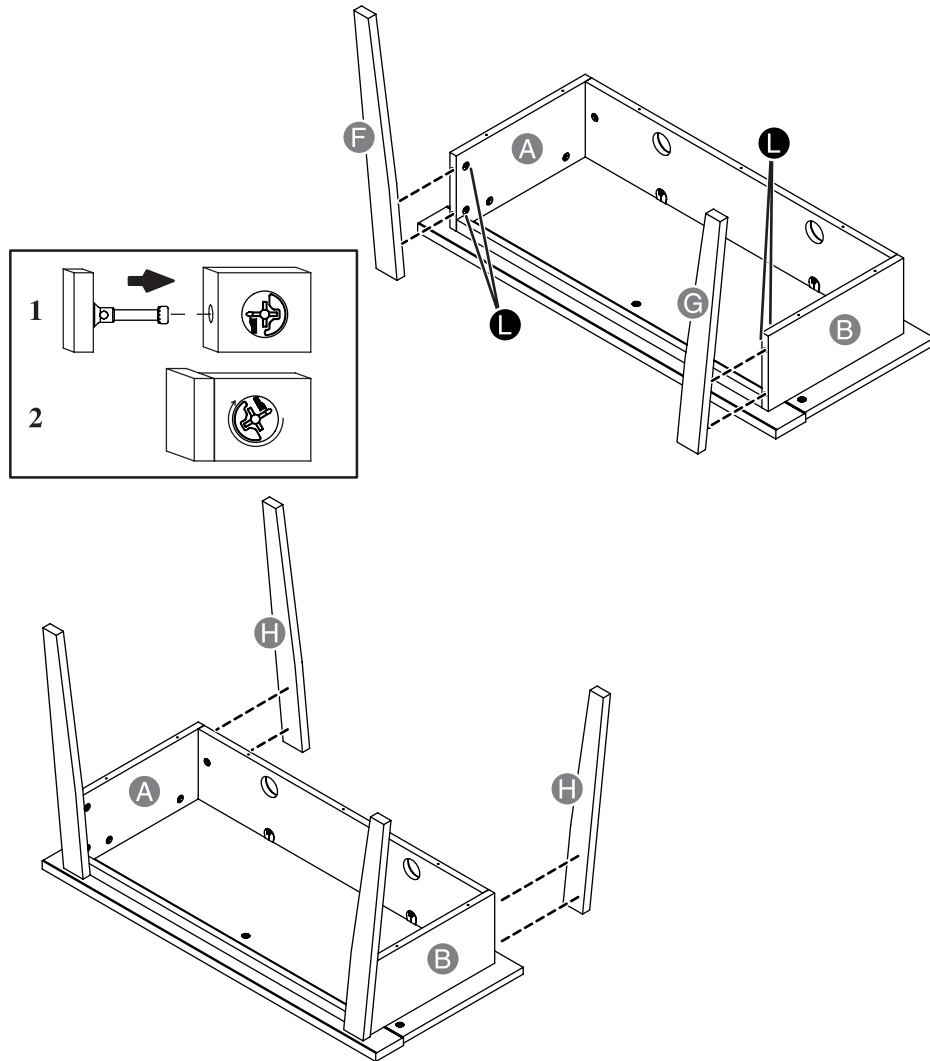


Phillips screwdriver

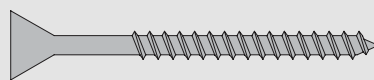
Step 8:

- 1 Align right front leg (F) with the right end (A) and the left front leg (G) with the left end (B), then tighten the four hidden cams (L).
- 2 Attach the rear legs (H) to the ends (A and B) using four black 1-7/8" flat head screws (T).

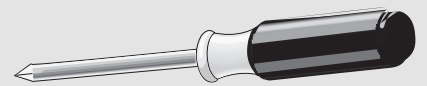
Important: Make sure that the rear legs (H) angle out and away from the stand.



You'll need:



T (4)

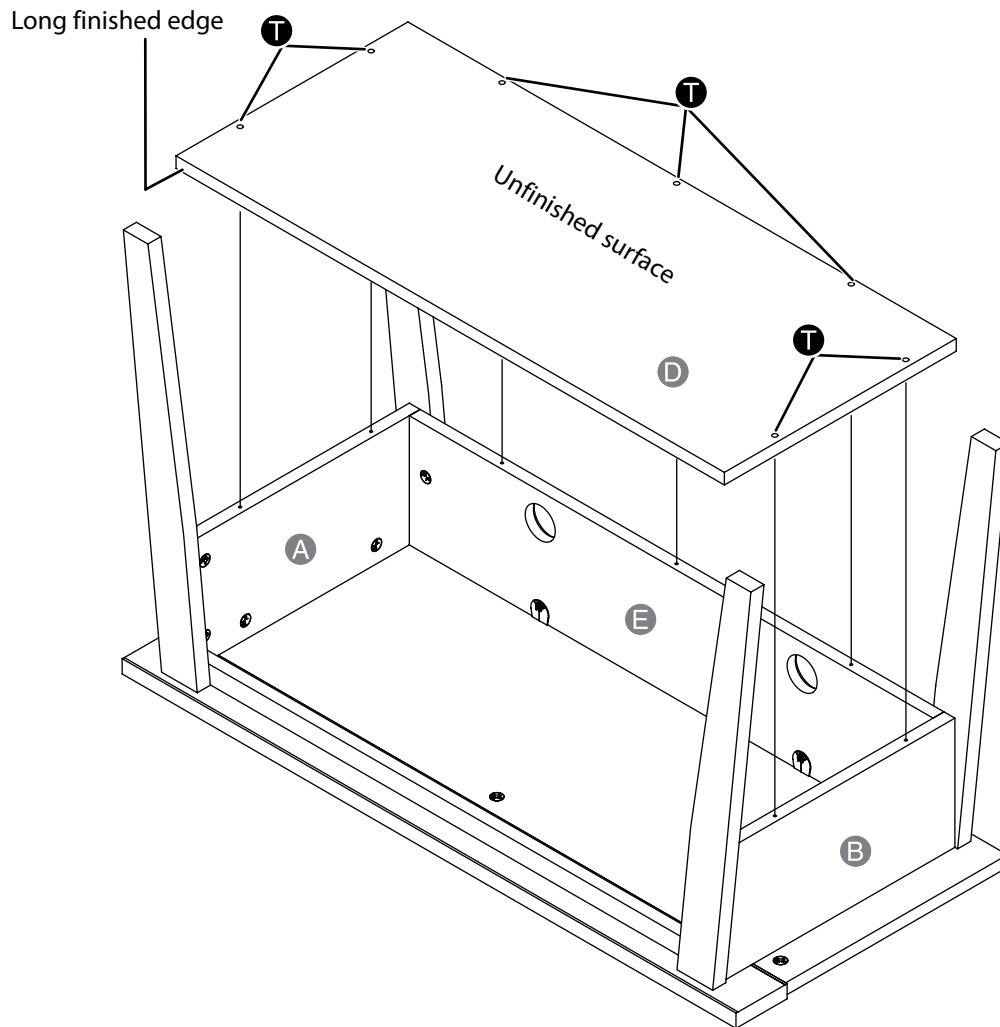
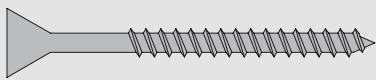


Phillips screwdriver

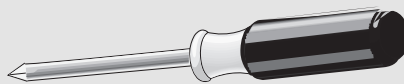
Need help? Call 800-305-2204

Step 9:

Fasten the lower shelf (D) to the ends (A and B) and back (E) using seven black 1-7/8" flat head screws (T).

**You'll need:**

T (7)



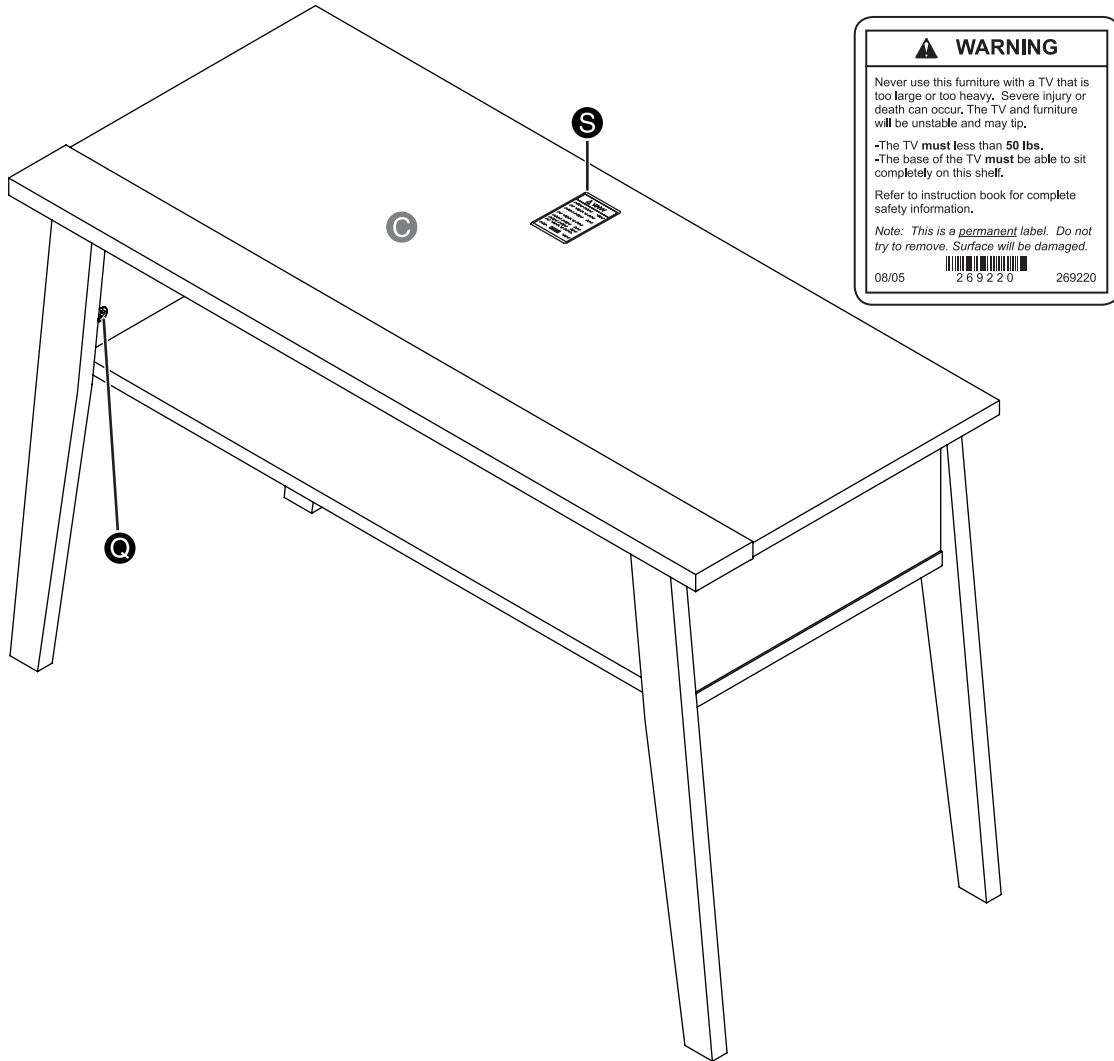
Phillips screwdriver

Step 10:

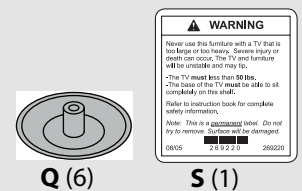
- 1 Carefully turn your TV stand upright.
- 2 Apply the warning label (S) to the top (C) so that the TV will hide the label. Peel off the backing and apply the label as shown in the diagram.

Note: This is a permanent label intended to last for the life of the product. After you apply the label, do not try to remove it.

- 3 Push a cam cover (Q) onto each visible hidden cam.



You'll need:



For customer service, call: 800-305-2204 (U.S./Canada markets)

Need help? Call 800-305-2204



Certificate of Conformity

1. This certificate applies to the Sauder Woodworking Product identified by this instruction booklet.
2. This certificate applies to the compliance of this product with the CPSC Ban on Lead-Containing Paint (16 CFR 1303).
3. This product was manufactured by:
Sauder Woodworking Company
502 Middle Street
Archbold, Ohio 43502
(419) 446-2711
4. Date of Manufacture: _____
Lot number: 345399

www.dynexproducts.com (800) 305-2204
Distributed by Best Buy Purchasing, LLC
7601 Penn Ave. South, Richfield, MN 55423 U.S.A.

© 2012 BBY Solutions, Inc.

All rights reserved.

DYNEX is a trademark of BBY Solutions, Inc. Registered in some countries. All other products and brand names are trademarks of their respective owners.