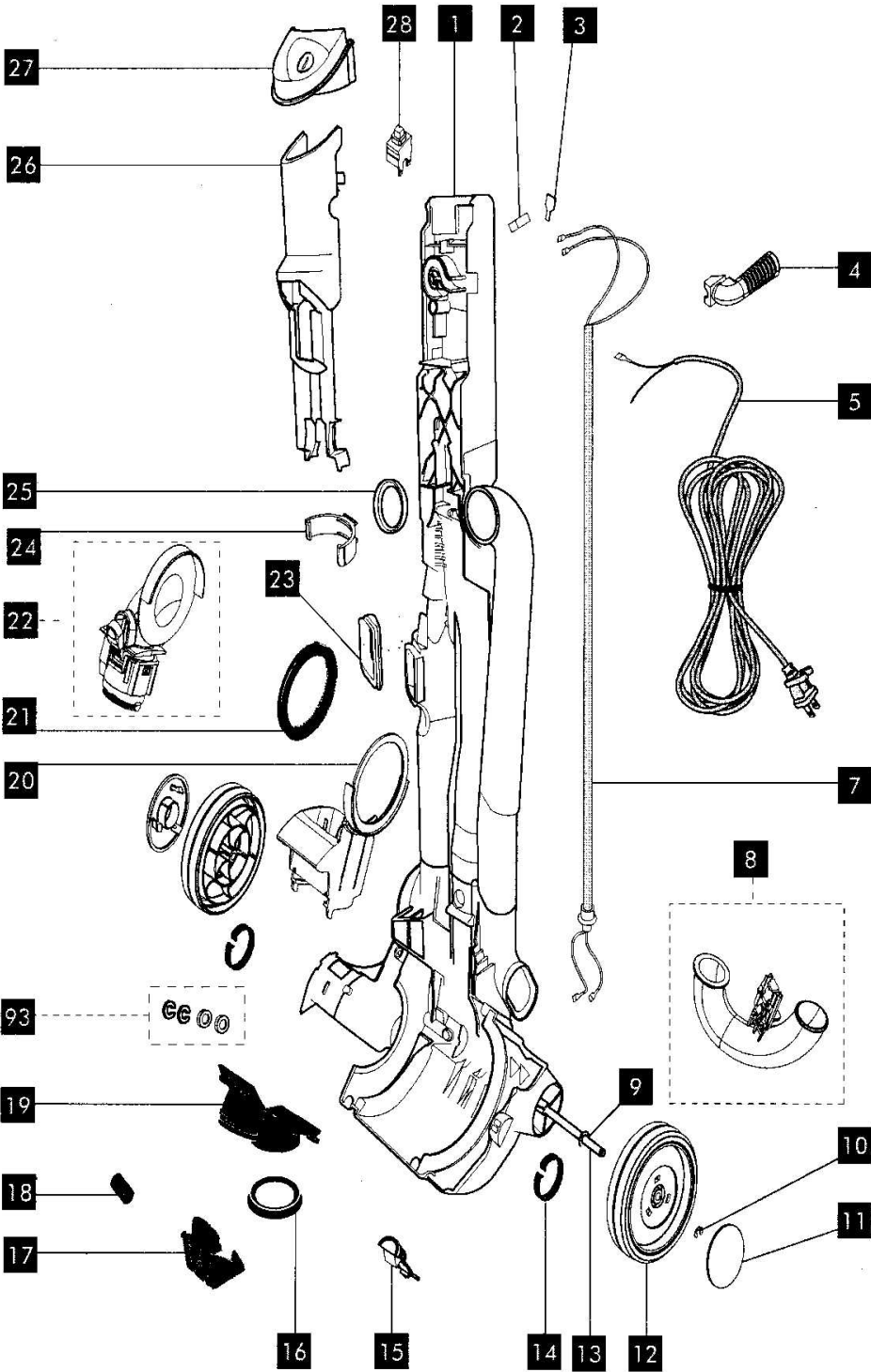
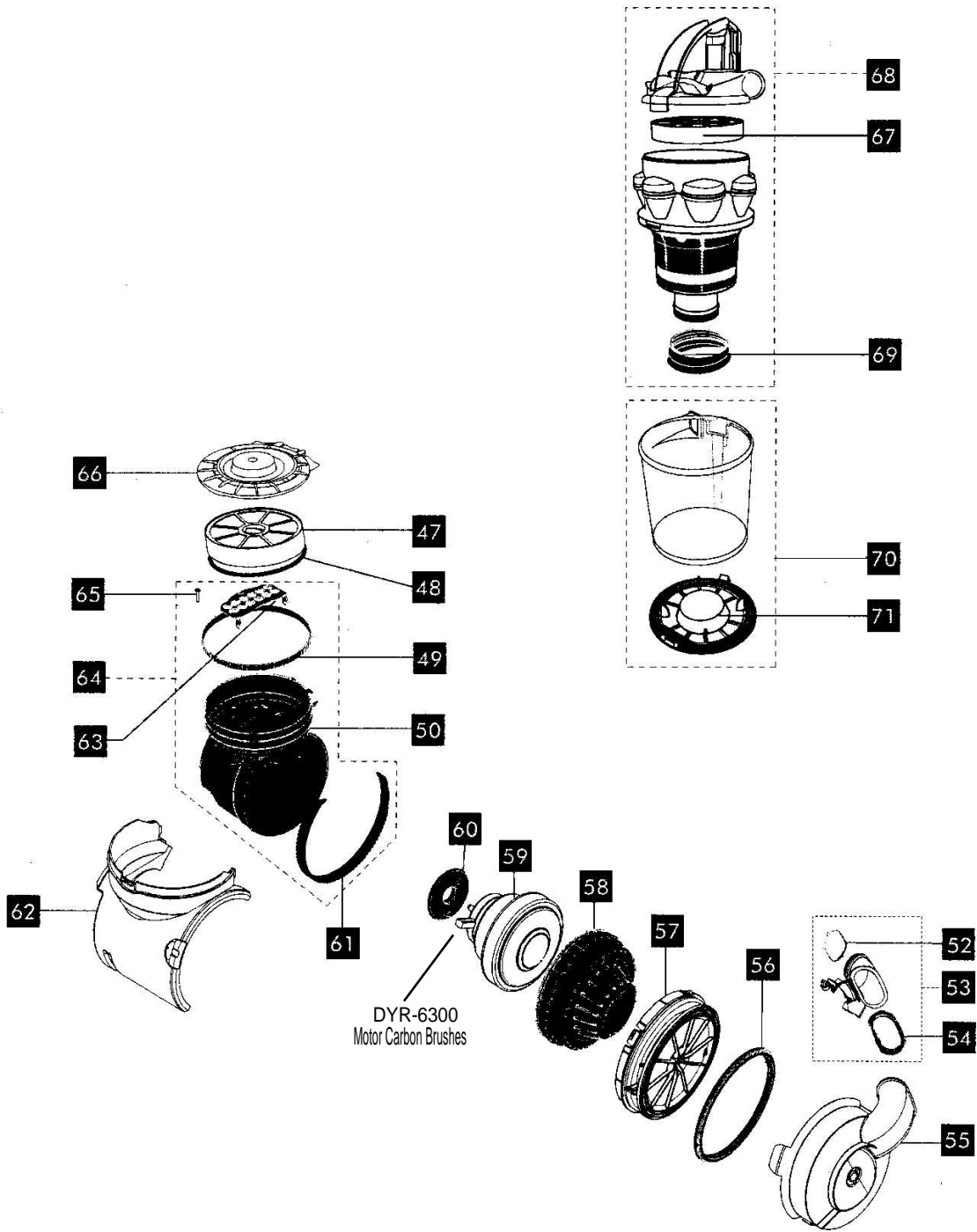
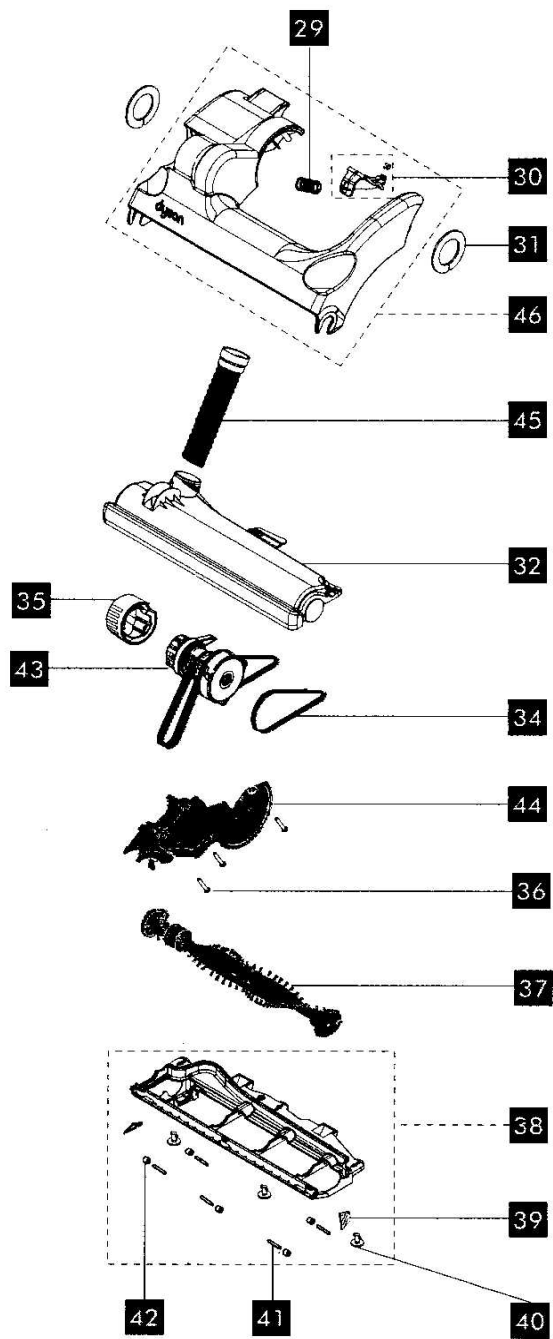
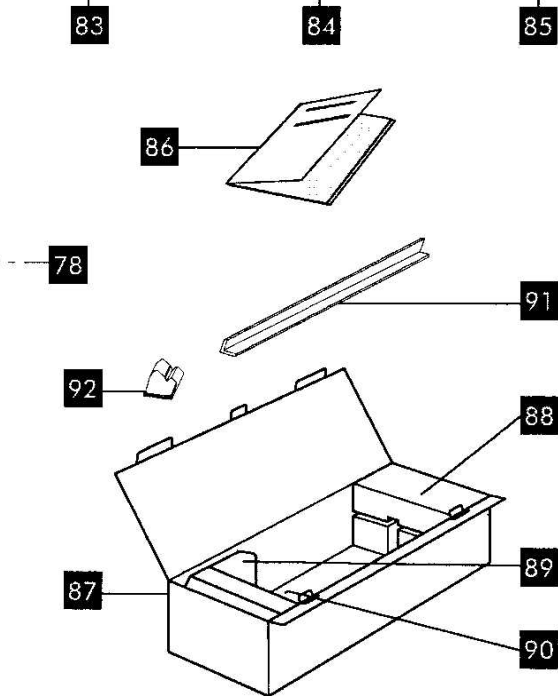
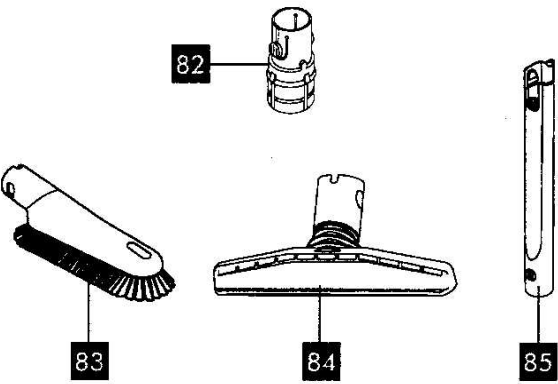
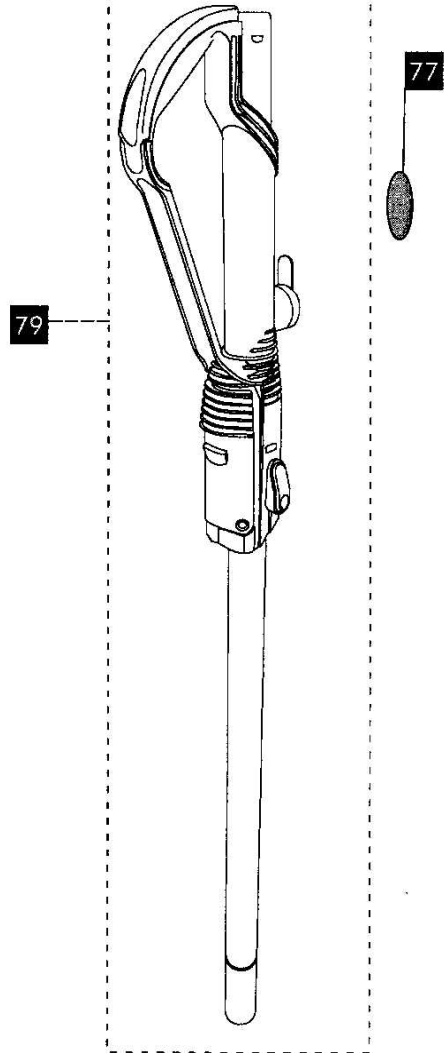
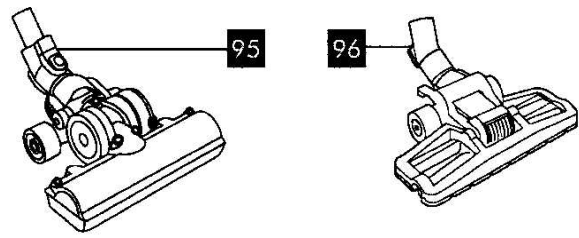
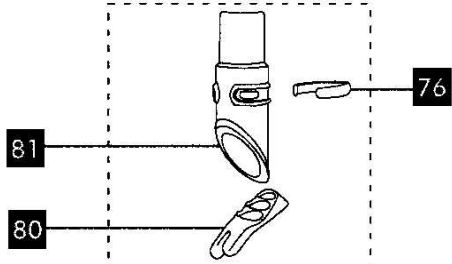
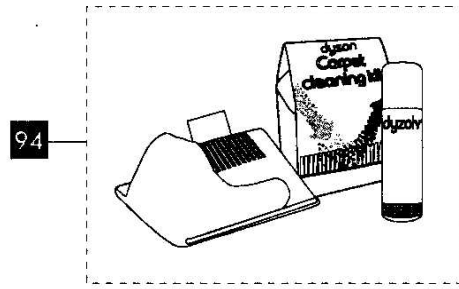
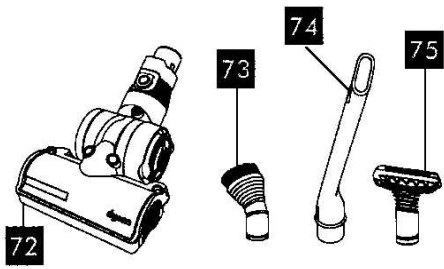


Model DC14









| Diagram Number | Part # | Description |
|----------------|-------------|---|
| 1 | DY-90865601 | STEEL DUCT LOWER MOTOR COVER ASSEMBLY (STEEL/LAV/TRANS VIOLET (ANIMAL), STEEL/SCARLET /TRANS VIOLET (LOW REACH) , STEEL/PURPLE /SCARLET (FULL GEAR) |
| 1A | DY-90865602 | DARK STEEL DUCT LOWER MOTOR COVER ASSEMBLY (STEEL/STEEL/TRANS VIOLET (COMPLETE) |
| 1B | DY-90865603 | INK BLUE LOWER MOTOR COVER ASSEMBLY (STEEL/INK BLUE TRANS ORANGE (FULL ACCESS) |
| 2 | DY-90806201 | SPADE CONNECTOR BOOT (QTY 5) |
| 3 | DY-90141701 | TERMINAL BOOT |
| 4 | DY-90751701 | GREY CABLE PROTECTOR |
| 5 | FA-3035 | SILVER POWERCORD ASSEMBLY |
| 7 | DY-90819401 | INTERNAL POWER CORD |
| 8 | DY-90424306 | STEEL/LAVENDER U BEND ASSEMBLY (STEEL/LAV /TRANS VIOLET (ANIMAL) |
| 8A | DY-90424308 | STEEL/PURPLE FLECK U BEND ASSEMBLY (STEEL/PURPLE/SCARLET (FULL GEAR) |
| 8B | DY-90424313 | STEEL/STEEL U BEND ASSEMBLY (STEEL/STEEL/TRANS VIOLET (COMPLETE) |
| 8C | DY-90424315 | STEEL/INK BLUE U BEND ASSEMBLY (STEEL/INK BLUE TRANS ORANGE (FULL ACCESS) |

| | | |
|-----|-------------|--|
| 8D | DY-90424316 | STEEL /SCARLET U BEND ASSEMBLY (STEEL/SCARLET TRANS VIOLET (LOW REACH) |
| 9 | DY-90053401 | WHEEL WASHE (QTY 2) |
| 10 | DY-90014601 | WHEEL E CLIPS (QTY 2) |
| 11 | DY-90004901 | YELLOW GLAMOUR CAP |
| 11A | 900049-06 | LAVENDER GLAMOUR CAP (QTY 2) (STEEL/LAV/TRANS VIOLET (ANIMAL) |
| 11B | DY-90004908 | SCARLET GLAMOUR CAP (QTY 2) (STEEL/SCARLET TRANS VIOLET (LOW REACH), STEEL/PURPLE SCARLET (FULL GEAR) |
| 11C | DY-90004913 | LIGHT STEEL GLAMOUR CAP (QTY 2) STEEL/STEEL /TRANS VIOLET (COMPLETE) |
| 11D | DY-90004914 | INK BLUE GLAMOUR CAP (QTY 2) STEEL/INK BLUE TRANS ORANGE (FULL ACCESS) |
| 12 | DY-90419306 | PURPLE FLECK REAR WHEEL (QTY 2) (STEEL /PURPLE /SCARLET (FULL GEAR) |
| 12A | DY-90419308 | STEEL REAR WHEEL (QTY 2) (STEEL/LAV/TRANS VIOLET (ANIMAL), STEEL/SCARLET/TRANS VIOLET (LOW REACH), STEEL/INK BLUE TRANS ORANGE (FULL ACCESS) |
| 12B | DY-90419311 | DARK STEEL REAR WHEEL (QTY 2) STEEL/STEEL /TRANS VIOLET (COMPLETE) |
| 13 | DY-90027901 | WHEEL AXLE |
| 14 | DY-90176904 | BLACK BEARING CLIPS (QTY 2) |
| 15 | DY-90334605 | STEEL PRE FILTER CATCH (STEEL/LAV/TRANS VIOLET (ANIMAL), STEEL/SCARLET TRANS VIOLET (LOW REACH) |
| 15A | DY-90334608 | DARK STEEL PRE FILTER CATCH (STEEL/STEEL/TRANS VIOLET (COMPLETE) |
| 15B | DY-90334610 | INK BLUE PRE FILTER CATCH (STEEL/INK BLUE TRANS ORANGE (FULL ACCESS) |
| 15C | DY-90334611 | PURPLE FLECK PRE FILTER CATCH (STEEL/PURPLE /SCARLET (FULL GEAR) |
| 16 | DY-90338001 | PORT PLATE SEAL |
| 17 | DY-90122303 | BLACK FORWARD LOCK |
| 18 | DY-90019989 | PORT PLATE SPRING |
| 19 | DY-90027005 | BLACK PORT PLATE |
| 20 | DY-90337802 | PURPLE FLECK VALVE CARRIAGE (STEEL/PURPLE /SCARLET (FULL GEAR) |
| 20A | DY-90337804 | STEEL VALVE CARRIAGE (STEEL/LAV/TRANS VIOLET (ANIMAL), STEEL/SCARLET TRANS VIOLET (LOW REACH) |
| 20B | DY-90337807 | LIGHT STEEL VALVE CARRIAGE (STEEL/STEEL/TRANS VIOLET (COMPLETE) |
| 20C | DY-90337808 | INK BLUE VALVE CARRIAGE (STEEL/INK BLUE TRANS ORANGE (FULL ACCESS) |

| | | |
|-----|--------------|--|
| 21 | DY-90337601 | VALVE CARRIAGE SEAL |
| 22 | DY-90424606 | STEEL/LAVENDER VALVE PIPE ASSEMBLY (STEEL/LAV /TRANS VIOLET (ANIMAL) |
| 22A | DY-90424608 | STEEL/PURPLE FLECK VALVE PIPE ASSEMBLY (STEEL/PURPLE/SCARLET (FULL GEAR) |
| 22B | DY-90424613 | STEEL/STEEL VALVE PIPE ASSEMBLY (STEEL/STEEL /TRANS VIOLET (COMPLETE) |
| 22C | DY-90424615 | STEEL/SCARLET VALVE PIPE ASSEMBLY (STEEL/SCARLET TRANS VIOLET (LOW REACH) |
| 22D | DY-90424616 | STEEL/STEEL VALVE PIPE ASSEMBLY (STEEL/INK BLUE TRANS ORANGE (FULL ACCESS) |
| 23 | DY-90786001 | ENTRY SEAL |
| 24 | DY-90776401 | STEEL CREVICE TOOL CLIP (STEEL/LAV/TRANS VIOLET (ANIMAL), STEEL/SCARLET /TRANS VIOLET (LOW REACH), STEEL/PURPLE/SCARLET (FULL GEAR) |
| 24A | DY-90776402 | DARK STEEL CREVICE TOOL CLIP (STEEL/STEEL /TRANS VIOLET (COMPLETE) |
| 24B | DY-907764-03 | INK BLUE CREVICE TOOL CLIP (STEEL/INK BLUE TRANS ORANGE (FULL ACCESS) |
| 25 | DY-90749101 | EXHAUST SEAL |
| 26 | DY-90776501 | STEEL SWITCH COVER ASSEMBLY (STEEL/LAV/TRANS VIOLET (ANIMAL), STEEL/SCARLET TRANS VIOLET (LOW REACH) , STEEL/PURPLE /SCARLET (FULL GEAR) |
| 26A | DY-90776502 | DARK STEEL SWITCH COVER ASSEMBLY (STEEL/STEEL /TRANS VIOLET (COMPLETE) |
| 26B | DY-90776504 | INK BLUE SWITCH COVER ASSEMBLY (STEEL/INK BLUE /TRANS ORANGE (FULL ACCESS) |
| 27 | DY-90777602 | TRANS ORANGE SWITCH BUTTON (STEEL/INK BLUE/TRANS ORANGE (FULL ACCESS) |
| 27A | DY-90777603 | TRANS VIOLET SWITCH BUTTON (STEEL/LAV/TRANS VIOLET (ANIMAL), STEEL/SCARLET TRANS VIOLET (LOW REACH) , STEEL/PURPLE /SCARLET (FULL GEAR), STEEL/STEEL/TRANS VIOLET (COMPLETE) |
| 28 | DYR-3400 | SWITCH |
| 29 | DY-90019926 | UPRIGHT LOCK SPRING |
| 30 | DY-90882101 | UPRIGHT LOCK |
| 31 | DY-90171605 | LAVENDER CLEANER HEAD PIVOT CIRCLIPS (QTY 2) (STEEL/LAV/TRANS VIOLET (ANIMAL) |
| 31A | DY-90171608 | SCARLET CLEANER HEAD PIVOT CIRCLIPS (QTY 2) (STEEL/SCARLET/TRANS VIOLET (LOW REACH), STEEL/PURPLE /SCARLET (FULL GEAR) |
| 31B | DY-90171613 | STEEL CLEANER HEAD PIVOT CIRCLIPS (QTY 2) STEEL/INK BLUE/TRANS ORANGE (FULL ACCESS), STEEL/STEEL/TRANS VIOLET (COMPLETE) |
| 32 | DY-90865401 | STEEL BRUSH HOUSING ASSEMBLY (STEEL/INK BLUE /TRANS ORANGE (FULL ACCESS) |
| 32A | DY-90865402 | LAVENDER BRUSH HOUSING ASSEMBLY (STEEL/LAV /TRANS VIOLET (ANIMAL) |

| | | |
|-----|--------------|--|
| 32B | DY-90865403 | DARK STEEL BRUSH HOUSING ASSEMBLY (STEEL/STEEL/TRANS VIOLET (COMPLETE)) |
| 32C | DY-90865404 | SCARLET BRUSH HOUSING ASSEMBLY (STEEL/SCARLET/TRANS VIOLET (LOW REACH), STEEL/STEEL/TRANS VIOLET (COMPLETE)) |
| 34 | DYR-1000 | CLUTCH TO MOTOR BELT |
| 35 | DY-90029807 | SCARLET OUTER CLUTCH ACTUATOR (STEEL/PURPLE /SCARLET (FULL GEAR)) |
| 35A | DY-90029810 | TRANS VIOLET OUTER CLUTCH ACTUATOR (STEEL/LAV /TRANS VIOLET (ANIMAL), STEEL/SCARLET/TRANS VIOLET (LOW REACH), STEEL/STEEL/TRANS VIOLET (COMPLETE)) |
| 35B | DY-90029812 | TRANS ORANGE OUTER CLUTCH ACTUATOR (STEEL/INK BLUE /TRANS ORANGE (FULL ACCESS)) |
| 36 | DY-90020006 | TORX SCREWS (QTY 16) |
| 37 | DYR-2000 | BRUSH BAR ASSEMBLY |
| 38 | DY-90865503 | SILVER SOLEPLATE ASSEMBLY |
| 39 | DY-90410201 | SOLEPLATE BRISTLES (QTY 2) |
| 40 | DY-90013004 | STEEL SOLEPLATE FASTENERS (QTY 3) |
| 41 | DY-90013101 | SOLEPLATE AXLE (QTY 5) |
| 42 | DY-90456201 | SOLEPLATE WHEEL (QTY 5) |
| 43 | DYR-7500 | CLUTCH ASSEMBLY |
| 44 | DY-90240506 | BLACK CLUTCH COVER ASSEMBLY |
| 45 | DYR-7200 | INTERNAL HOSE ASSEMBLY |
| 46 | DY-90231229 | DARK STEEL CLEANER HEAD ASSEMBLY (STEEL/STEEL /TRANS VIOLET (COMPLETE)) |
| 46A | DY-90231231 | INK BLUE CLEANER HEAD ASSEMBLY (STEEL/INK BLUE /TRANS ORANGE (FULL ACCESS)) |
| 46B | DY-90231232 | STEEL CLEANER HEAD ASSEMBLY (STEEL/LAV/TRANS VIOLET (ANIMAL), STEEL/SCARLET/TRANS VIOLET (LOW REACH)) |
| 46C | DY-90231233 | PURPLE FLECK CLEANER HEAD ASSEMBLY (STEEL/PURPLE /SCARLET (FULL GEAR)) |
| 46D | DY-90231274 | Cleaner Head Assy, (WHITE) (03/10/09) |
| 47 | DYR-1802 | HEPA POST FILTER |
| 47A | DY-90418601 | POST FILTER PAD |
| 48 | DY-90868201 | HEPA FILTER SEAL |
| 49 | DY-90335101 | TOP HOUSING MOUNT |
| 50 | DY-90334901 | BLACK MOTOR HOUSING |
| 52 | DY-90414001 | EXHAUST PIPE SEAL |
| 53 | DY-904242-04 | STEEL EXHAUST PIPE ASSEMBLY (STEEL/LAV/TRANS VIOLET (ANIMAL), STEEL/SCARLET/TRANS VIOLET (LOW REACH), STEEL/PURPLE/SCARLET (FULL GEAR)) |

| | | |
|-----|--------------|--|
| 53A | DY-904242-06 | DARK STEEL EXHAUST PIPE ASSEMBLY (STEEL/STEEL /TRANS VIOLET (COMPLETE) |
| 53B | DY-90424207 | INK BLUE EXHAUST PIPE ASSEMBLY (STEEL/INK BLUE / TRANS ORANGE (FULL ACCESS) |
| 54 | DY-90414101 | EXHAUST PREFILTER SEAL |
| 55 | DY-90775001 | STEEL MOTOR INLET COVER (STEEL/LAV/TRANS VIOLET (ANIMAL),STEEL/SCARLET/TRANS VIOLET (LOW REACH) |
| 55A | DY-90775002 | DARK STEEL MOTOR INLET COVER (STEEL/STEEL /TRANS VIOLET (COMPLETE) |
| 55B | DY-90775004 | INK BLUE MOTOR INLET COVER (STEEL/INK BLUE/TRANS ORANGE (FULL ACCESS) |
| 55C | DY-90775005 | PURPLE FLECK MOTOR INLET COVER (STEEL/PURPLE /SCARLET (FULL GEAR) |
| 56 | DY-90335801 | FILTER SEAL |
| 57 | DY-90335901 | SILVER MOTOR RETAINER |
| 58 | DY-90335201 | PANASONIC FANCASE SEAL |
| 59 | DYR-6000 | MOTOR |
| 60 | DY-90400101 | PANASONIC BEARING MOUNT |
| 61 | DY-90335001 | MOTOR HOUSING MOUNT |
| 62 | DY-90774901 | STEEL UPPER MOTOR COVER (STEEL/LAV/TRANS VIOLET (ANIMAL), STEEL/SCARLET/TRANS VIOLET (LOW REACH) |
| 62A | DY-90774902 | DARK STEEL UPPER MOTOR COVER (STEEL/STEEL /TRANS VIOLET (COMPLETE) |
| 62B | DY-90774904 | INK BLUE UPPER MOTOR COVER (STEEL/INK BLUE/TRANS ORANGE (FULL ACCESS) |
| 62C | DY-90774905 | PURPLE FLECK UPPER MOTOR COVER (STEEL/PURPLE /SCARLET (FULL GEAR) |
| 63 | DY-90413701 | DIFFUSER |
| 64 | DY-90423801 | MOTOR HOUSING ASSEMBLY |
| 65 | DY-90020004 | DIFFUSER SCREW |
| 66 | DY-90775101 | STEEL POST FILTER LID (STEEL/LAV/TRANS VIOLET (ANIMAL), STEEL/SCARLET/TRANS VIOLET (LOW REACH) |
| 66A | DY-90775102 | DARK STEEL POST FILTER LID (STEEL/STEEL/TRANS VIOLET (COMPLETE) |
| 66B | DY-90775104 | INK BLUE POST FILTER LID (STEEL/INK BLUE/TRANS ORANGE (FULL ACCESS) |
| 66C | DY-90775105 | PURPLE FLECK POST FILTER LID (STEEL/PURPLE /SCARLET(FULL GEAR) |
| 67 | DY-90540101 | PRE-FILTER ASSEMBLY |
| 68 | DY-90865805 | STEEL/TRANS VIOLET CYCLONE ASSEMBLY (STEEL/STEEL/TRANS VIOLET (COMPLETE) |

| | | |
|-----|-------------|---|
| 68A | DY-90865806 | SCARLET/TRANS VIOLET CYCLONE ASSEMBLY (STEEL/SCARLET/TRANS VIOLET (LOW REACH), STEEL/PURPLE/SCARLET(FULL GEAR) |
| 68B | DY-90865807 | STEEL/TRANS ORANGE CYCLONE ASSEMBLY (STEEL/INK BLUE/TRANS ORANGE (FULL ACCESS) |
| 68C | DY-90865808 | LAVENDER /TRANS VIOLET CYCLONE ASSEMBLY (STEEL/LAV/TRANS VIOLET (ANIMAL) |
| 69 | DY-90739901 | FINE DUST COLLECTOR SEAL |
| 70 | DY-90865701 | BIN ASSEMBLY |
| 71 | DY-90900101 | BIN BASE ASSEMBLY |
| 72 | DY-90704903 | MINI TURBINE HEAD (STEEL/LAV/TRANS VIOLET (ANIMAL), STEEL/PURPLE/SCARLET(FULL GEAR), STEEL/STEEL/TRANS VIOLET (COMPLETE) |
| 73 | DYR-5300 | LARGE GREY BRUSH TOOL |
| 74 | DY-90776301 | STEEL CREVICE TOOL |
| 75 | DYR-5200 | UPHOLSTERY TOOL |
| 76 | DY-90775606 | STEEL TUBE GRIP CLIP (STEEL/LAV/TRANS VIOLET (ANIMAL), STEEL/SCARLET/TRANS VIOLET (LOW REACH), STEEL/[PURPLE/SCARLET (FULL GEAR), STEEL/STEEL/TRANS VIOLET (COMPLETE) |
| 76A | DY-90775608 | PURPLE TUBE GRIP CLIP (STEEL/PURPLE/SCARLET (FULL GEAR) |
| 77A | DY-90577701 | HELPLINE STICKER |
| 77 | DY-90685101 | HELPLINE STICKER |
| 78 | DY-90847401 | STEEL/STEEL/HOSE ASSEMBLY (STEEL/STEEL/TRANS VIOLET (COMPLETE) |
| 78A | DY-90847402 | STEEL/LAVENDER HOSE ASSEMBLY (STEEL/LAV/TRANS VIOLET (ANIMAL) |
| 78B | DY-90847405 | STEEL/SCARLET HOSE ASSEMBLY (STEEL/SCARLET /TRANS VIOLET (LOW REACH) |
| 78C | DY-90847406 | STEEL/INK BLUE HOSE ASSEMBLY (STEEL/INK BLUE /TRANS ORANGE (FULL ACCESS) |
| 78D | DY-90847407 | STEEL/PURPLE FLECK HOSE ASSEMBLY (STEEL/PURPLE/SCARLET (FULL GEAR) |
| 79 | DY-90866101 | STEEL/TRANS VIOLET /LAVENDER WAND ASSEMBLY(STEEL/LAV/TRANS VIOLET (ANIMAL) |
| 79A | DY-90866102 | STEEL/STEEL/TRANS VIOLET WAND ASSEMBLY (STEEL/STEEL/TRANS VIOLET (COMPLETE) |
| 79B | DY-90866105 | PURPLE/SCARLET/TRANS VIOLET WAND ASSEMBLY (STEEL/PURPLE/SCARLET (FULL GEAR) |
| 79C | DY-90866106 | STEEL/TRANS VIOLET/SCARLET WAND ASSEMBLY (STEEL/SCARLET/TRANS VIOLET (LOW REACH) |
| 79D | DY-90866107 | INK BLUE/TRANS ORANGE /STEEL WAND ASSEMBLY (STEEL/INK BLUE/TRANS ORANGE (FULL ACCESS) |
| 80 | DY-90775406 | STEEL WAND CAP (STEEL/LAV/TRANS VIOLET (ANIMAL), STEEL/SCARLET/TRANS VIOLET (LOW REACH), STEEL/INK BLUE/TRANS ORANGE (FULL ACCESS), |

| | | |
|-----|--------------|--|
| | | STEEL/STEEL/TRANS VIOLET (COMPLETE) |
| 80A | DY-90775409 | PURPLE WAND CAP (STEEL/PURPLE/SCARLET (FULL GEAR) |
| 81 | DY-9077501 | LAVENDER TUBE GRIP (STEEL/LAV/TRANS VIOLET (ANIMAL) (as of 11/21/08) |
| 81B | DY-90775503 | SCARLET TUBE GRIP (STEEL/SCARLET/TRANS VIOLET (LOW REACH), STEEL/PURPLE/SCARLET (FULL GEAR) |
| 81C | DY-90775505 | INK BLUE TUBE GRIP (STEEL/INK BLUE/TRANS ORANGE (FULL ACCESS) |
| 81A | DY-90775508 | VIOLET TUBE GRIP (STEEL/STEEL/TRANS VIOLET (COMPLETE) |
| 82 | DY-90703602 | STEEL ACCESSORY TOOL ADAPTOR (STEEL/INK BLUE/TRANS ORANGE (FULL ACCESS), STEEL STEEL/TRANS VIOLET (COMPLETE) |
| 83 | DYR-5300 | DUSTING BRUSH ASSEMBLY (STEEL/STEEL/TRANS VIOLET (COMLETE) |
| 84 | DY-90888701 | MATTRESS TOOL ASSEMBLY (STEEL/STEEL/TRANS VIOLET (COMLETE) |
| 85 | DY-90702803 | FLEXI CREVICE TOOL ASSEMBLY (STEEL/LAV/TRANS VIOLET (ANIMAL) |
| 86 | DY-90866201 | INSTRUCTION PACK |
| 86A | DY-90866202 | INSTRUCTION PACK (STEEL/LAV/TRANS VIOLET(ANIMAL), STEEL/SCARLET/TRANS VIOLET (LOW REACH), STEEL/INK BLUE/TRANS ORANGE (FULL ACCESS), (STEEL/STEEL/TRANS VIOLET (COMLETE) |
| 86B | DY-908862-03 | INSTRUCTION PACK (STEEL/PURPLE/SCARLET (FULL GEAR) |
| 87 | DY-90844805 | ANIMAL RETAIL BOX (STEEL/LAV/TRANS VIOLET (ANIMAL) |
| 87A | DY-90844806 | LOW REACH RETAIL BOX (STEEL/SCARLET/TRANS VIOLET (LOW REACH) |
| 87B | DY-90844807 | FULL GEAR RETAIL BOX (STEEL/PURPLE/SCARLET (FULL GEAR) |
| 87C | DY-90844808 | FULL ACCESS RETAIL BOX (STEEL/INK BLUE /TRANS ORANGE (FULL ACCESS) |
| 87D | DY-90844809 | COMPLETE RETAIL BOX (STEEL/STEEL/TRANS VIOLET (COMLETE) |
| 88 | DY-90836201 | BOX INSERT (TOP) |
| 89 | DY-90880501 | BOX INSERT (BOTTOM, UPPER) |
| 90 | DY-90880601 | BOX INSERT (BOTTOM, LOWER) |
| 91 | DY-90593102 | EDGEBOARD, WAND |
| 92 | DY-90865001 | FORWARD LOCK INSERT (POLYSTYRENE) |
| 93 | DY-90430301 | REAR WHEEL FASTENER RETAINING PACK |
| 94 | DY-90497503 | CLEANING KIT ASSEMBLY (STEEL/LAV/TRANS VIOLET (ANIMAL), STEEL/PURPLE/SCARLET (FULL GEAR) |
| 95 | DY-90656509 | TRANS ORANGE/INK BLUE TURBO TOOL ASSEMBLY (STEEL/INK BLUE /TRANS ORANGE (FULL ACCESS) |

| | | |
|------|-------------|---|
| 96 | DY-90413619 | /SCARLET (FULL GEAR) |
| 96C | DY-90413625 | STEEL/LAVENDER FT01.5 FLOOR TOOL (STEEL/LAV /TRANS VIOLET (ANIMAL) |
| 96A | DY-90413627 | STEEL/SCARLET FT01.5 FLOOR TOOL (STEEL/SCARLET /TRANS VIOLET (LOW REACH) |
| 96B | DY-90413628 | STEEL/STEEL FT01.5 FLOOR TOOL (STEEL/STEEL /TRANS VIOLET (COMPLETE) |
| None | DY-90895010 | RELEASE CATCH |