

ASSEMBLY



1
month

WASH FILTER

Wash filter with cold water at least every month.

REGISTER YOUR FREE 2 YEAR GUARANTEE TODAY

Charging

Fully charged

Not charging - check battery

Not charging - too cold/too hot

3.5 hrs

After registering your free 2 year guarantee, your Dyson vacuum cleaner will be covered for parts and labour for 2 years from the date of purchase, subject to the terms of the guarantee.

If you have any questions about your Dyson vacuum cleaner, call the Dyson Customer Care Helpline with your serial number and details of where/when you bought the vacuum. Your serial number can be found on your rating plate which is behind the filter.

Most questions can be solved over the phone by one of our trained Dyson Customer Care Helpline staff.

Alternatively visit www.dyson.co.uk/support for online help, general tips and useful information about Dyson.

Note your serial number for future reference



This illustration is for example purposes only.

3 EASY WAYS TO REGISTER YOUR FREE 2 YEAR GUARANTEE



REGISTER ONLINE
Visit our website to register your full parts and labour guarantee online.
www.dyson.com/register



REGISTER BY PHONE
Call our dedicated Helpline. Open 7am–10pm. 7 days a week.
UK 0800 298 0298
ROI 01 475 7109



REGISTER BY MAIL
Complete and return the form to Dyson in the envelope supplied.

IMPORTANT SAFETY INSTRUCTIONS

BEFORE CHARGING THE BATTERY OR USING THIS APPLIANCE READ ALL INSTRUCTIONS AND CAUTIONARY MARKINGS IN THIS MANUAL, ON THE CHARGER, ON THE BATTERY AND ON THE DYSON VACUUM CLEANER.

When using an electrical appliance, basic precautions should always be followed, including the following:

WARNING

TO REDUCE THE RISK OF FIRE, ELECTRIC SHOCK, OR INJURY:

1. This Dyson vacuum cleaner and charger are not intended for use by young children or infirm persons with reduced physical, sensory or reasoning capabilities, or lack of experience and knowledge, unless they have been given supervision or instruction by a responsible person concerning use of the Dyson vacuum cleaner or charger to ensure that they can charge and use the Dyson vacuum cleaner safely.
2. Do not allow to be used as a toy. Close attention is necessary when used by or near children. Children should be supervised to ensure that they do not play with the Dyson vacuum cleaner or charger.
3. Do not install, charge or use the Dyson vacuum cleaner outdoors, in a bathroom or within 10 feet (3.1m) of a pool. Do not use the Dyson vacuum cleaner or charger on wet surfaces and do not expose to moisture, rain or snow. Do not use to pick up water.
4. Do not use or charge with damaged cable. If the Dyson vacuum cleaner or charger is not working as it should, has received a sharp blow, has been dropped, damaged, left outdoors, or dropped into water, do not use and contact the Dyson Customer Care Helpline.
5. Do not unplug the charger by pulling on cable. To unplug, grasp the charger, not the cable.
6. Unplug the charger from socket when not in use for extended periods. Make sure the charger cable is located so that it will not be stepped on, tripped over, or otherwise subjected to damage or stress.
7. Do not stretch the charger cable or place the cable under strain. Keep cable away from heated surfaces.
8. Do not handle the charger, including the charger terminals or Dyson vacuum cleaner with wet hands.
9. Do not put any object into openings. Do not use with any opening blocked; keep free of dust, lint, hair, and anything that may reduce airflow.
10. Keep hair, loose clothing, fingers, and all parts of body away from openings and moving parts, such as the brush bar.
11. Use extra care when cleaning on stairs.
12. Do not use to pick up flammable or combustible liquids, such as petrol, or use in areas where they may be present.
13. Do not pick up anything that is burning or smoking, such as cigarettes, matches, or hot ashes.
14. Do not use without the clear bin and filter in place.
15. Use only as described in this Dyson Operating Manual. Use only Dyson recommended accessories and replacement parts. Do not carry out any maintenance other than that shown in this Dyson Operating Manual, or advised by the Dyson Customer Care Helpline.
16. Contact the Dyson Customer Care Helpline when service or repair is required. Do not disassemble the Dyson vacuum cleaner as incorrect reassembly may result in an electric shock or fire.
17. Use only Dyson chargers for charging this Dyson vacuum cleaner. Use only Dyson batteries, other types of batteries may burst causing injury to persons and damage.
18. Unplug the charger from socket before cleaning or maintenance.
19. The use of an extension cable is not recommended.
20. Do not incinerate this Dyson vacuum cleaner even if it is severely damaged. The battery may explode in a fire.
21. Do not press the battery release button during normal operation.
22. Always turn off the Dyson vacuum cleaner before connecting or disconnecting the motorised brush bar.

SAVE THESE INSTRUCTIONS

THIS DYSON VACUUM CLEANER IS INTENDED FOR HOUSEHOLD USE ONLY.



Do not use near naked flame.



Do not store near heat source.

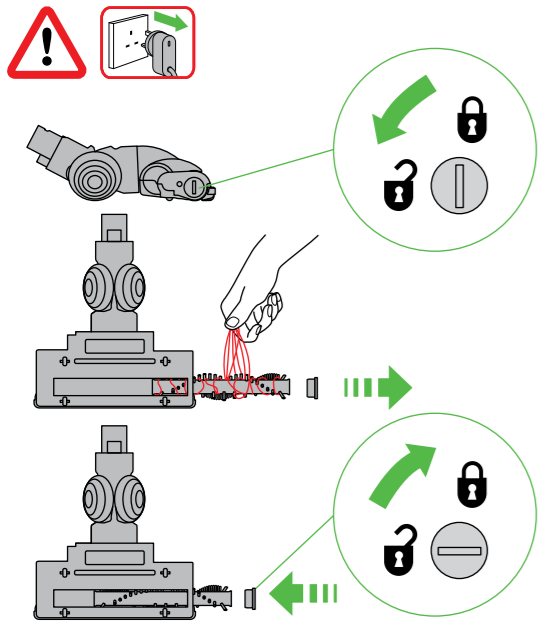


Do not pick up water or liquids.

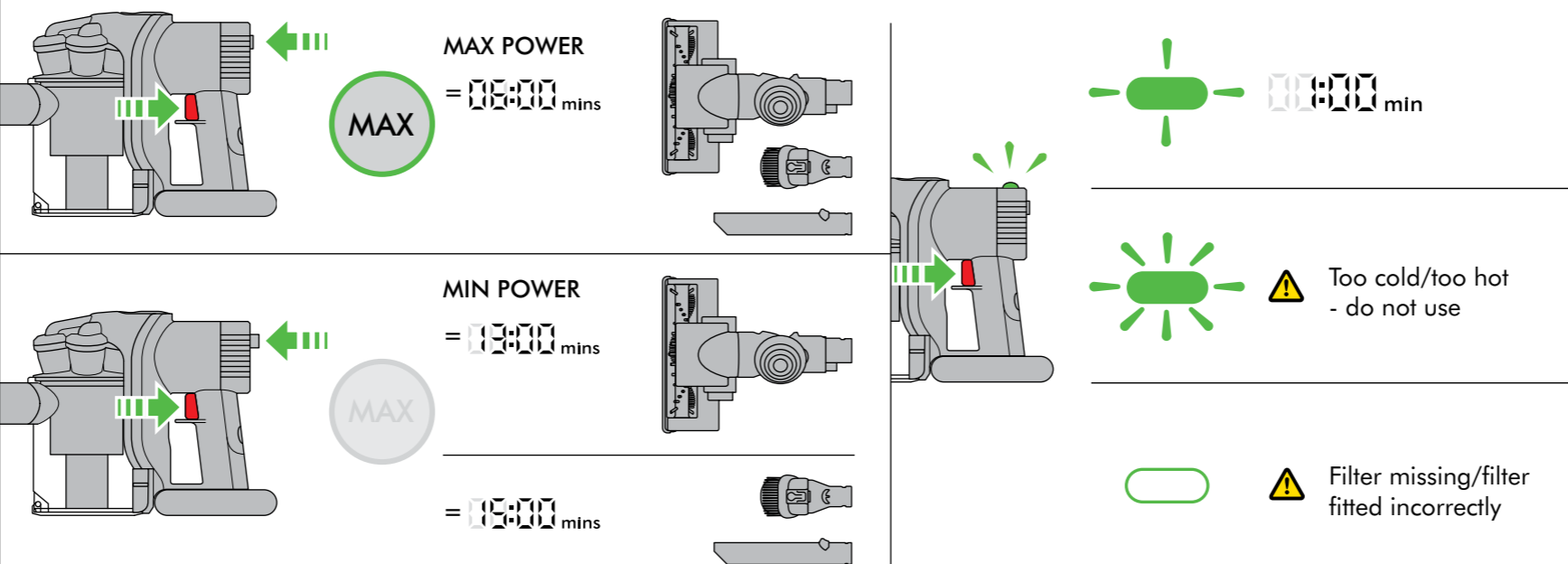


Do not pick up burning objects.

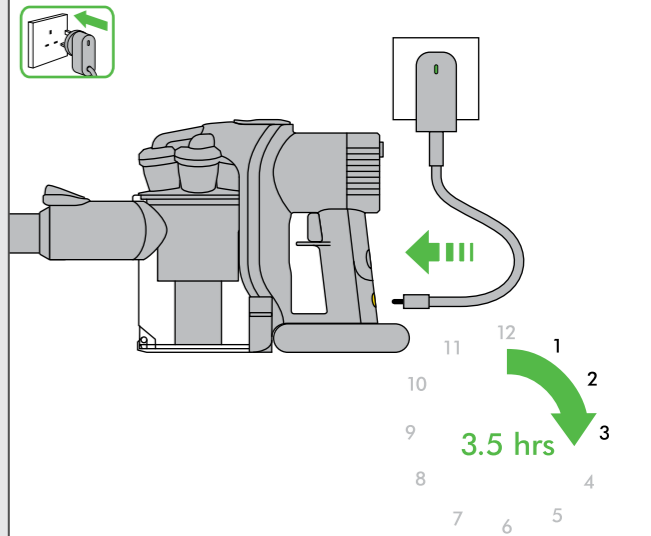
Clearing brush bar obstructions



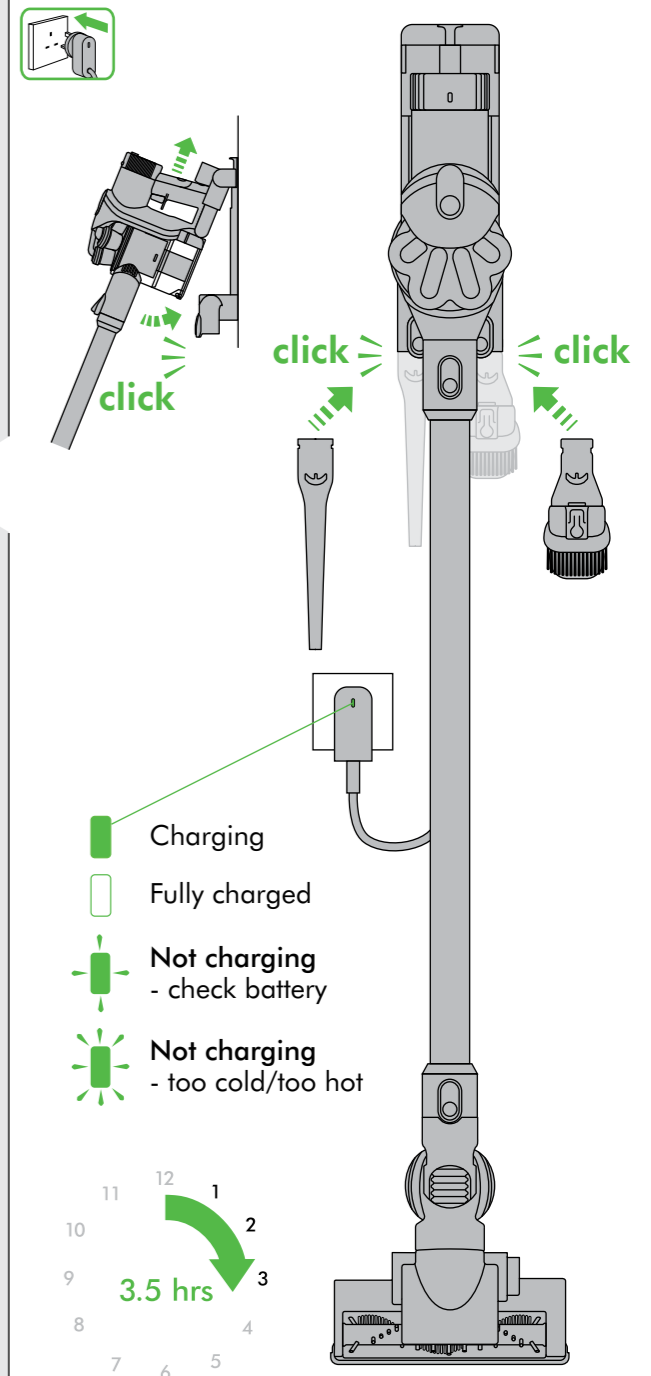
Power



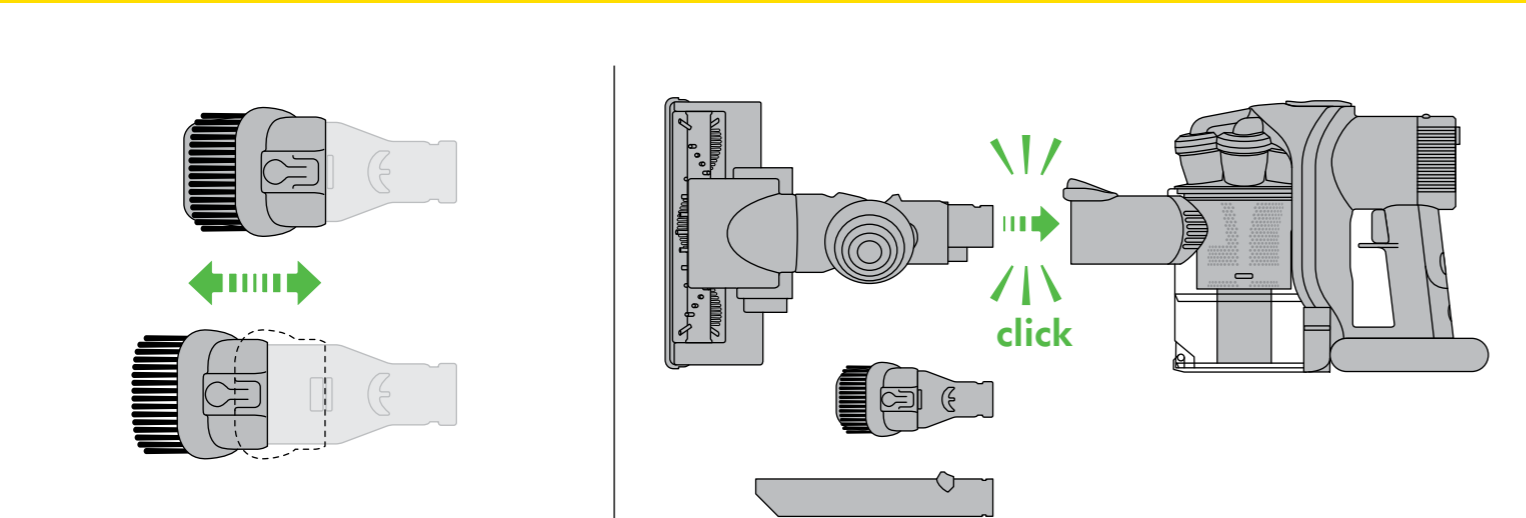
Charging



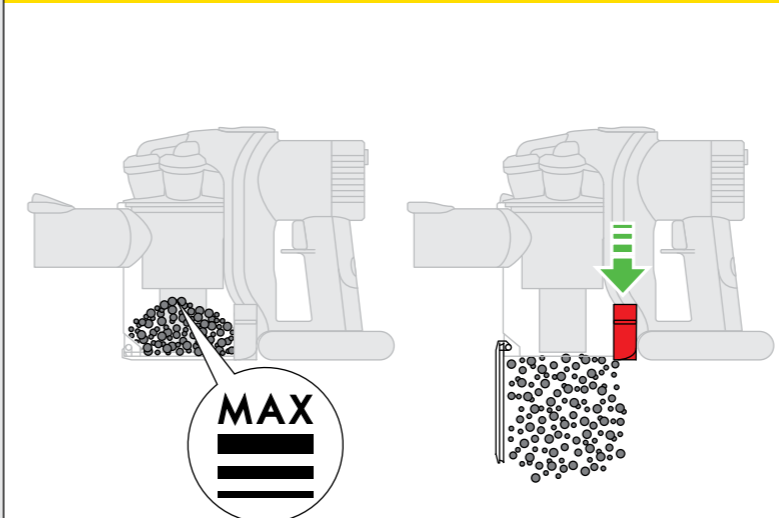
Storage and charging in the dock

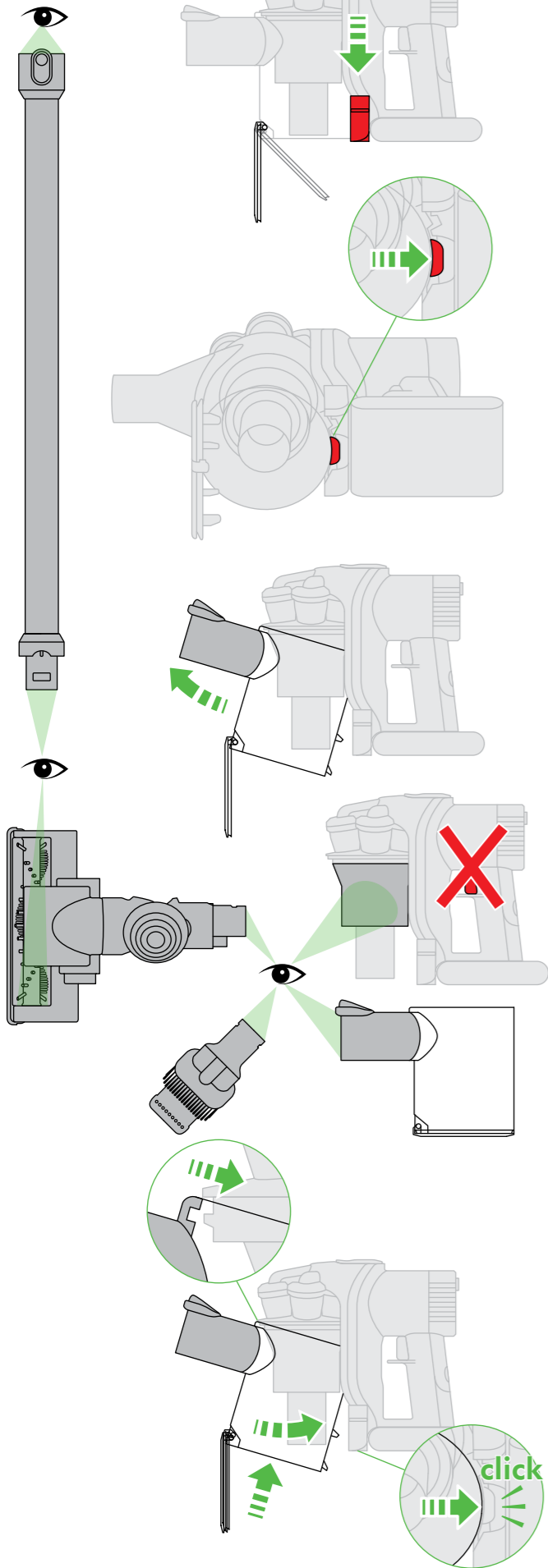
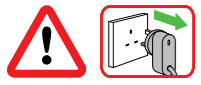


Using tools and accessories



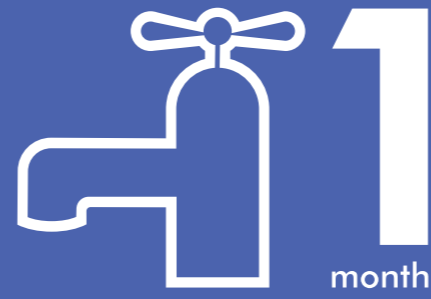
Emptying the clear bin



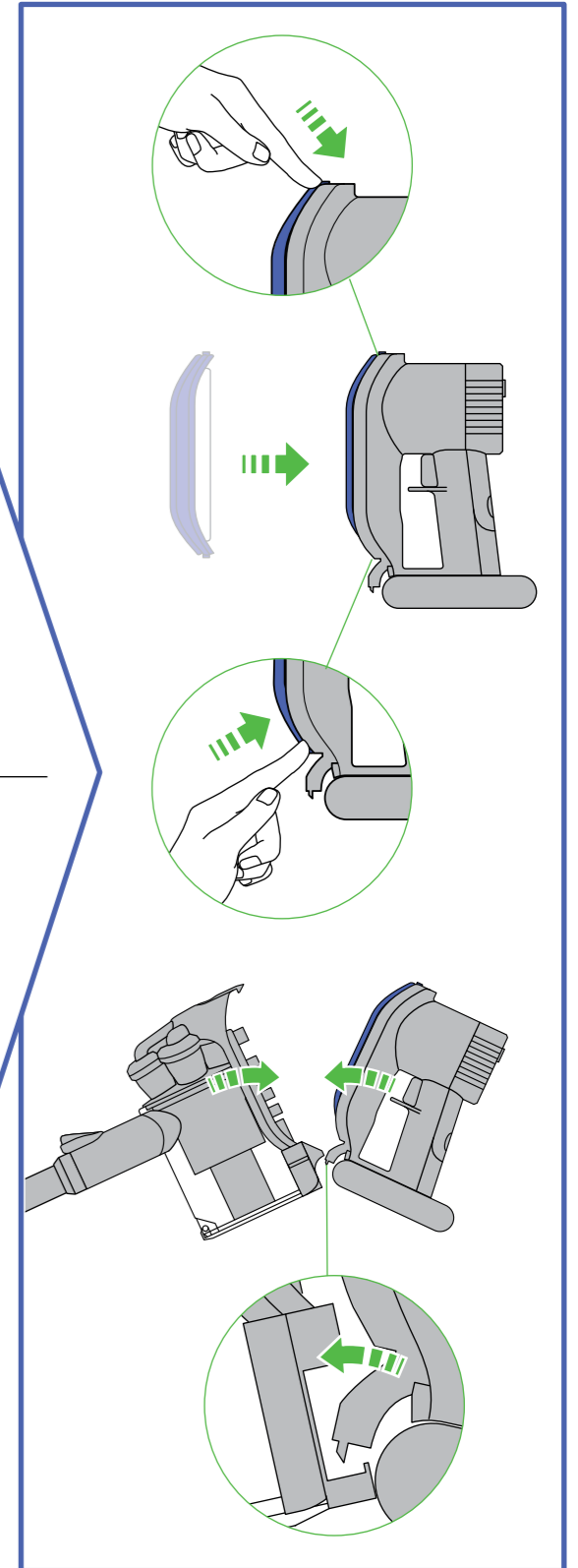
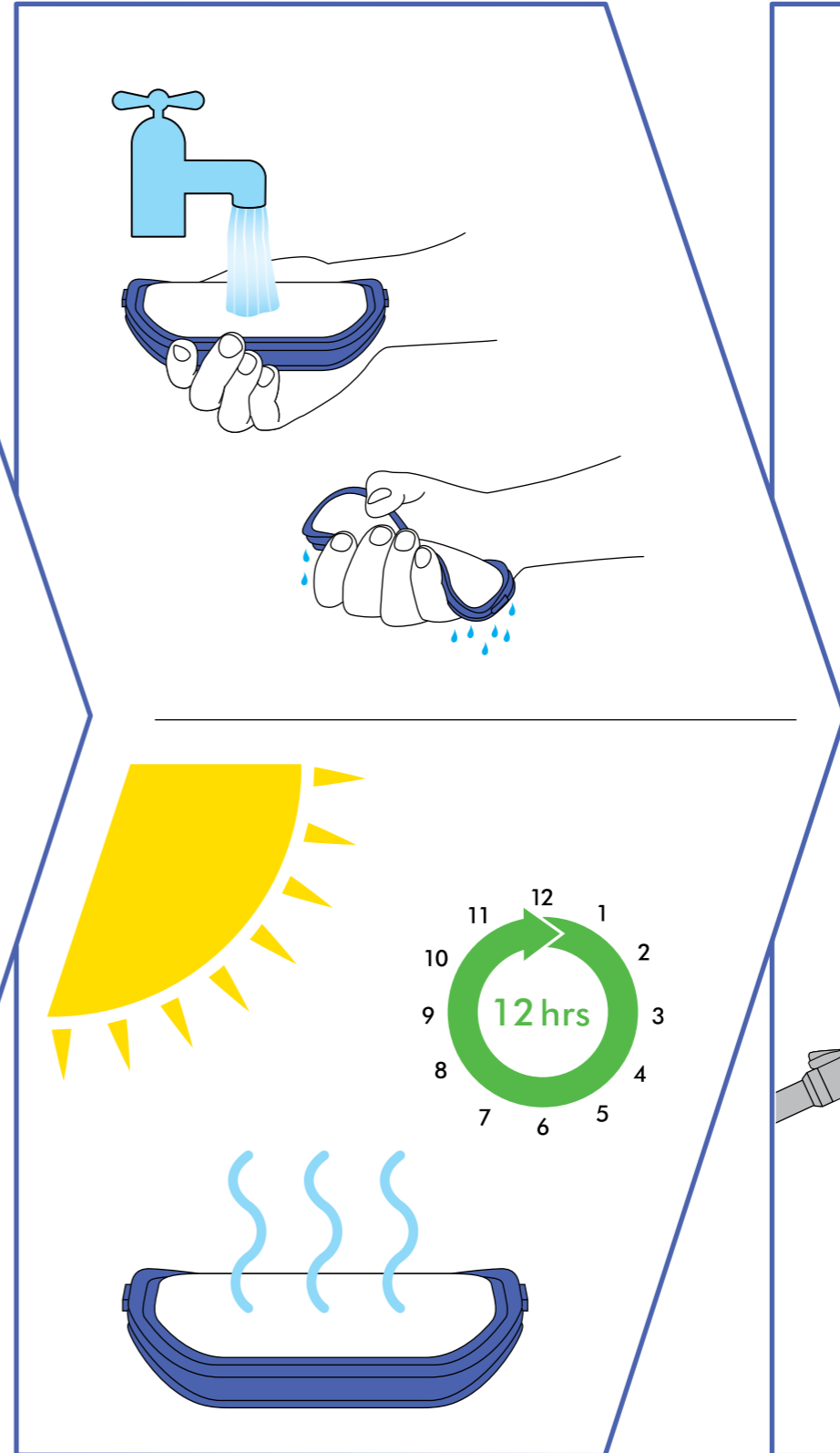
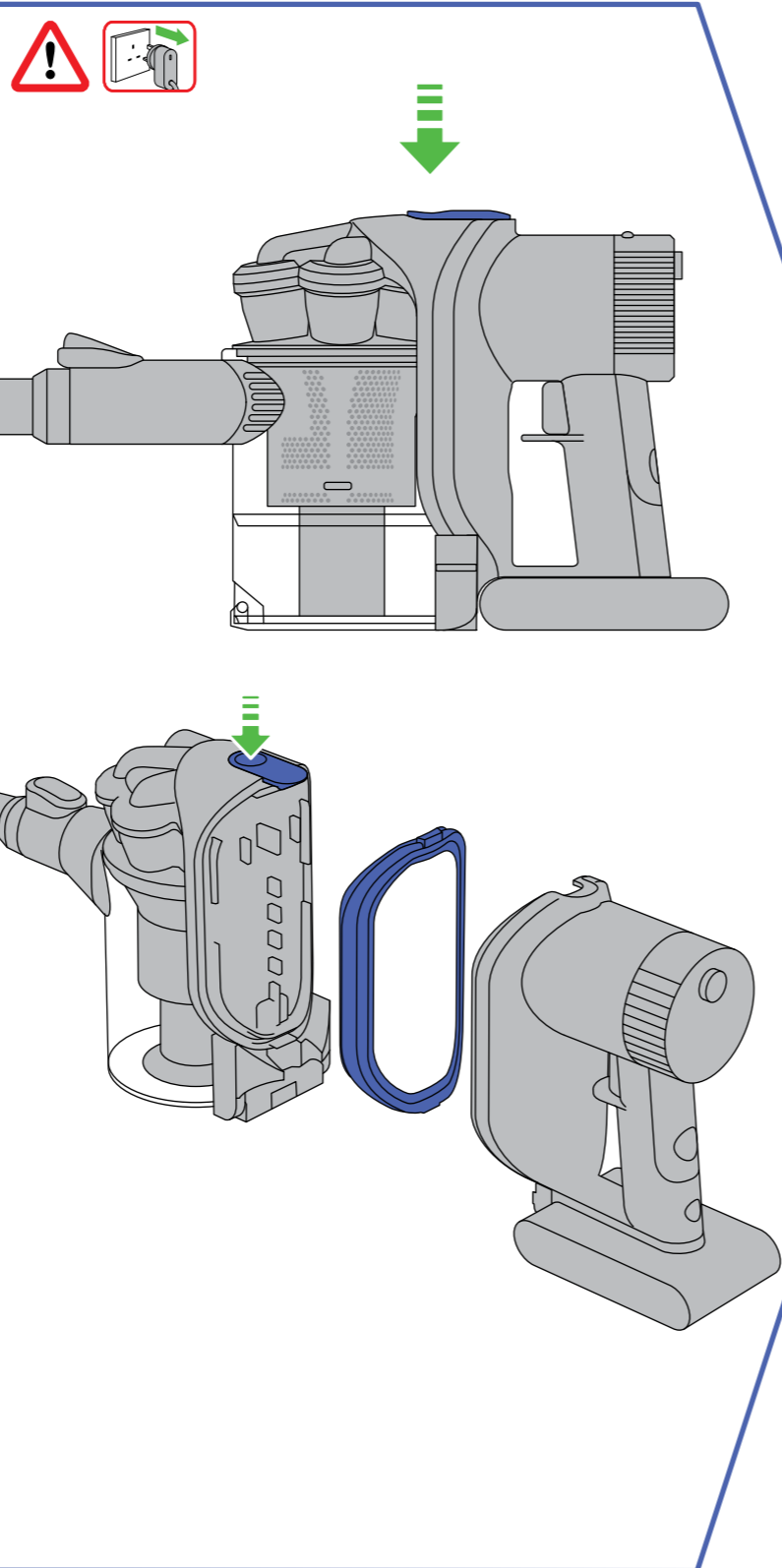


IMPORTANT!

WASH FILTER



Wash filter with cold water at least every month.



USING YOUR DYSON VACUUM CLEANER



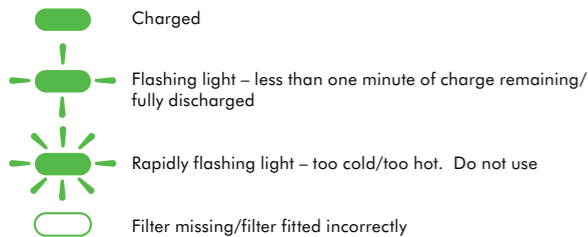
CAUTION:

- Do not allow the vacuum cleaner to be used by anyone who may not be able to operate it safely.
- Take caution not to engage the silver battery release button during normal operation.
- Dirt and debris may be released from the Dyson vacuum cleaner if it is turned upside down.
- Ensure the Dyson vacuum cleaner remains upright in use.
- Do not operate the Dyson vacuum cleaner while checking for blockages.
- Do not use outdoors or on wet surfaces or to vacuum water or other liquids – electric shock could occur.
- Do not lubricate any parts, or carry out any maintenance or repair work other than that shown in this Dyson Operating Manual, or advised by the Dyson Customer Care Helpline.

PLEASE NOTE:

- Do not carry out any maintenance or repair work other than that shown in this Dyson Operating Manual or advised by the Dyson Customer Care Helpline.
- This Dyson vacuum cleaner is designed for domestic indoor and car use only. Do not use it whilst the car is in motion or while driving.
- Do not use the Dyson vacuum cleaner to pick up sharp hard objects, small toys, pins, paper clips, etc. They may damage the Dyson vacuum cleaner.
- This product has carbon fibre brushes. Take care if coming into contact with them. They may cause minor skin irritation.
- Do not press down on the nozzle with excessive force when using the Dyson vacuum cleaner as this may cause damage.
- If the motor overheats, the Dyson vacuum cleaner will cut out automatically. Leave it to cool for at least an hour and check for blockages before restarting.
- Fine dirt such as flour or plaster dust should only be vacuumed in very small amounts.
- Before vacuuming highly polished floors, such as wood or lino, first check that the underside of the floor tool and its bristles are free from foreign objects that could cause marking.
- To avoid damaging the floor do not push hard with the floor tool. Do not leave the cleaner head in one place on delicate floors.
- On waxed floors the movement of the cleaner head may create an uneven lustre. If this happens, wipe with a damp cloth, polish the area with wax, and wait for it to dry.
- Consult your flooring manufacturer's recommended instructions before vacuuming and caring for your flooring, rugs, and carpet. The brush bar on the Dyson vacuum cleaner can damage certain carpet types and floors. Some carpets will fuzz if a rotating brush bar is used when vacuuming. If this happens, we recommend vacuuming without the motorhead and consulting with your flooring manufacturer.
- Do not use any lubricants, cleaning agents, polishes or air fresheners on any part of the Dyson vacuum cleaner or charger.
- This Dyson vacuum cleaner is fitted with a thermal cut-out. If any part of the Dyson vacuum cleaner becomes blocked the machine may overheat and automatically shut off. If this happens, switch 'OFF' the Dyson vacuum cleaner and allow to cool before attempting to check the filter or for blockages. Clear any blockages before restarting.
- Store the Dyson vacuum cleaner indoors. Do not use or store this Dyson vacuum cleaner below 3°C (37.4°F). Ensure that the Dyson vacuum cleaner is at room temperature before operating.

TROUBLESHOOTING – DYSON VACUUM CLEANER



EMPTYING THE CLEAR BIN



CAUTION:

- Switch 'OFF' the Dyson vacuum cleaner and disconnect from charger before emptying the clear bin.
- To make emptying the clear bin easier, it is advisable to remove the wand and motorhead.
- Empty as soon as the dirt reaches the level of the MAX mark – do not overfill.
- To release the dirt, push the red button at the side of the clear bin as shown. Emptying into a bag is recommended for allergy sufferers.
- Do not use the Dyson vacuum cleaner without the clear bin in place.
- To minimise dust/allergen contact when emptying, encase the clear bin tightly in a plastic bag and empty. Remove the clear bin carefully and seal bag tightly, dispose as normal. For a free fact sheet visit www.dyson.co.uk/technology/allergy

CLEANING THE CLEAR BIN



CAUTION:

- To remove the clear bin, push the red bin release button on the underside of the Dyson vacuum cleaner as shown.
 - Clean the clear bin with cold water only.
 - Ensure the clear bin is completely dry before replacing.
- PLEASE NOTE:
- Do not use detergents, polishes or air fresheners to clean the clear bin.
 - Do not put the clear bin in a dishwasher.
 - Clean the shroud with a cloth or dry brush to remove lint and dirt.

WASHING YOUR FILTER



CAUTION:

- Switch 'OFF' and disconnect from charger before removing the filter.
- PLEASE NOTE:
- This Dyson vacuum cleaner has one filter, located as shown. It is important to check your filter regularly and wash with cold water at least every month according to instructions, to maintain performance. The filter may require more frequent washing if vacuuming fine dust or if used mainly in 'MIN' power mode.
- After washing please leave for 12 hours to dry completely.
 - Ensure filter is completely dry before refitting to the Dyson vacuum cleaner.
 - Do not use detergents to clean the filter.
 - Do not put the filter in a dishwasher, washing machine, tumble dryer, oven, microwave or near an open flame.

LOOKING FOR BLOCKAGES



CAUTION:

- Switch 'OFF' the Dyson vacuum cleaner and disconnect from charger before looking for blockages. Failure to do so could result in personal injury.
 - Beware of sharp objects when clearing blockages.
 - Refit all parts of the Dyson vacuum cleaner securely before using.
- PLEASE NOTE:
- Clearing blockages is not covered by your Dyson vacuum cleaner's limited guarantee. If any part of your Dyson vacuum cleaner becomes blocked, it may overheat and then automatically shut off.
 - Switch 'OFF' and unplug your Dyson vacuum cleaner and leave to cool down. Clear blockage before restarting.

CLEARING BRUSH BAR OBSTRUCTIONS



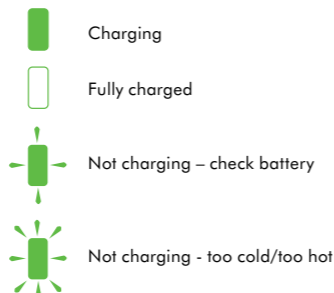
CAUTION:

- Switch 'OFF' the Dyson vacuum cleaner and disconnect from charger before clearing brush bar obstructions. Failure to do so could result in personal injury. If your brush bar is obstructed, it may shut off. If this happens you will need to remove brush bar as shown and clear any obstructing debris.
- Remove the brush bar by using a coin to loosen the screw marked with a key. Remove the obstruction. Replace the brush bar and secure it by tightening the screw. Ensure it is fixed firmly before operating the Dyson vacuum cleaner.
- Take care if coming into contact with the carbon fibre brushes, as they may cause minor skin irritation. Wash your hands after handling the brushes.
- Beware of sharp objects when clearing blockages.
- Refit all parts of the vacuum cleaner securely before using.

CHARGING AND STORING YOUR DYSON VACUUM CLEANER

- Your Dyson vacuum cleaner will turn 'OFF' if the battery temperature is below 3°C. This is designed to protect the motor and battery of your product. Do not charge the Dyson vacuum cleaner and then move it to an area with a temperature below 3°C for storage purposes.
- To help prolong battery life, avoid recharging immediately after a full discharge. Allow to cool for a few minutes.
- Avoid using the Dyson vacuum cleaner with the battery flush to a surface. This will help it run cooler and prolong battery run time and life.
- If mounting the charging dock on a wall, follow the instructions supplied with this Dyson vacuum cleaner. Ensure the dock is fitted correctly and the right way up, so the motor of the Dyson vacuum cleaner is at the top when in place. Take all necessary safety precautions. Use appropriate fixings, tools and safety equipment.
- When charging via the dock the battery must be in the Dyson vacuum cleaner.

TROUBLESHOOTING – CHARGER



BATTERY SAFETY INSTRUCTIONS

- The Dyson vacuum cleaner must be disconnected from the mains supply when removing the battery.
- Use only Dyson batteries and charging unit for this Dyson vacuum cleaner.
- The battery is a sealed unit and under normal circumstances poses no safety concerns. In the unlikely event that liquid leaks from the battery do not touch the liquid and observe the following precautions:
- Skin contact – can cause irritation. Wash with soap and water.
- Inhalation – can cause respiratory irritation. Provide fresh air and seek medical advice.
- Eye contact – can cause irritation. Immediately flush eyes thoroughly with water for at least 15 minutes. Seek medical attention.
- Disposal – wear gloves to handle the battery and dispose of immediately following local ordinances or regulations.



CAUTION:

The battery used in this device may present a risk of fire or chemical burn if mistreated. Do not disassemble, short contacts, heat above 140° F (60° C), or incinerate. Replace battery with a Dyson battery only: use of any other battery may present a risk of fire or explosion. Dispose of used battery promptly. Keep away from children. Do not disassemble and do not dispose of in fire.

GUARANTEE TERMS & CONDITIONS

DYSON CUSTOMER CARE

THANK YOU FOR CHOOSING TO BUY A DYSON VACUUM CLEANER

If you have a question about your Dyson vacuum cleaner, most times these can be solved over the phone by one of our Dyson Customer Care Helpline staff, or by visiting www.dyson.co.uk/support.

Have your serial number and details of where and when you bought the Dyson vacuum cleaner to hand. The serial number can be found on the main body of the Dyson vacuum cleaner behind the filter.

If your Dyson vacuum cleaner needs a service, call the Dyson Customer Care Helpline so we can discuss the available options. If your Dyson vacuum cleaner is under guarantee, and the repair is covered, it will be repaired at no cost.

PLEASE REGISTER AS A DYSON VACUUM CLEANER OWNER

To help us ensure you receive prompt and efficient service, please register as a Dyson vacuum cleaner owner. There are three ways to do this:

- Online at www.dyson.com/register
- By calling the Dyson Customer Care Helpline on UK 0800 298 0298 or ROI 01 475 7109.
- By completing and returning the enclosed form to us by mail. This will confirm ownership of your Dyson vacuum cleaner in the event of an insurance loss, and enable us to contact you if necessary.

LIMITED 2 YEAR GUARANTEE

TERMS AND CONDITIONS OF THE DYSON 2 YEAR LIMITED GUARANTEE.

WHAT IS COVERED

- The repair or replacement of your Dyson vacuum cleaner (at Dyson's discretion) if your Dyson vacuum cleaner is found to be defective due to faulty materials, workmanship or function within 2 years of purchase or delivery (if any part is no longer available or out of manufacture Dyson will replace it with a functional replacement part).
- Use of the Dyson vacuum cleaner in the UK and Republic of Ireland.

WHAT IS NOT COVERED

Dyson does not guarantee the repair or replacement of a product as a result of:

- Normal wear and tear (e.g. fuse, brush bar, etc).
- Reduction in battery discharge time due to battery age or use.
- Accidental damage, faults caused by negligent use or care, misuse, neglect, careless operation or handling of the Dyson vacuum cleaner which is not in accordance with the Dyson Operating Manual.
- Blockages – please refer to the Dyson Operating Manual for details of how to unblock your Dyson vacuum cleaner.
- Use of the Dyson vacuum cleaner for anything other than normal domestic household purposes.
- Use of parts not assembled or installed in accordance with the instructions of Dyson.
- Use of parts and accessories which are not Dyson Genuine Components.
- Faulty installation (except where installed by Dyson).
- Repairs or alterations carried out by parties other than Dyson or its authorised agents.

If you are in any doubt as to what is covered by your guarantee, please call the Dyson Customer Care Helpline on UK 0800 298 0298 or ROI 01 475 7109 or visit www.dyson.co.uk/support

SUMMARY OF COVER

- The guarantee becomes effective at the date of purchase (or the date of delivery if this is later).
- You must provide proof of (both original and any subsequent) delivery/purchase before any work can be carried out on your vacuum cleaner. Without this proof, any work carried out will be chargeable. Please keep your receipt or delivery note.
- All work will be carried out by Dyson or its authorised agents.
- Any parts which are replaced will become the property of Dyson.
- The repair or replacement of your Dyson vacuum cleaner under guarantee will not extend the period of guarantee.
- The guarantee provides benefits which are additional to and do not affect your statutory rights as a consumer.

ABOUT YOUR PRIVACY

Your information will be held by Dyson Limited and its agents for promotional, marketing and servicing purposes.

If your personal details change, if you change your mind about any of your marketing preferences or if you have any queries about how we use your information, please let us know by contacting Dyson Limited, Tetbury Hill, Malmesbury, Wiltshire, SN16 0RP England, or by calling the Dyson Customer Care Helpline on UK: 0800 298 0298 or ROI: 01 475 7109. Or you can email us at askdyson@dyson.co.uk

For more information on how we protect your privacy, please see our privacy policy on www.dyson.co.uk

DISPOSAL INFORMATION

- Dyson products are made from high grade recyclable materials. Please dispose of this product responsibly and recycle where possible.
- The battery should be removed from the product before it is disposed of.
- Dispose of, or recycle the battery in accordance with local ordinances or regulations.

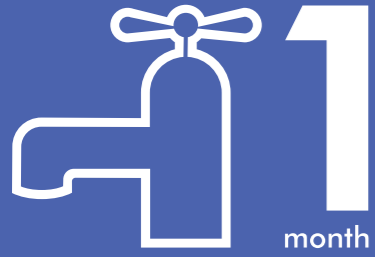
PRODUCT INFORMATION

Net weight: 2.52kg

Please note: Small details may vary from those shown.

IMPORTANT!

WASH FILTER



Wash filter with cold water at least every month.



Dyson Customer Care

If you have a question about your Dyson vacuum cleaner, call the Dyson Customer Care Helpline with your serial number and details of where and when you bought the Dyson vacuum cleaner, or contact us via the Dyson website. The serial number can be found on the main body of the Dyson vacuum cleaner behind the filter.

UK Dyson Customer Care
askdyson@dyson.co.uk
0800 298 0298

Dyson Ltd, Tetbury Hill, Malmesbury, Wiltshire SN16 0RP.

ROI Dyson Customer Care
irelandservice@dyson.com
01 475 7109

Unit 10, Grants Lane, Greenogue Business Park,
Rathcoole, Dublin 24.

Serial number

Date of purchase

 / /

Country of purchase

 UK ROI

Title

Surname

First name

Address

Postcode

email

Telephone

Mobile

As a Dyson vacuum cleaner owner, you can hear about Dyson inventions, services and products before anyone else. If it's okay to contact you, please let us know how we may do this.

We sometimes ask other companies (such as market researchers) to contact owners on our behalf. We do this to get feedback on ideas or ask you to try new products and services. Would this be okay?

By mail Yes No

By phone Yes No

By email Yes No

By text message Yes No

Yes No

3 EASY WAYS TO REGISTER YOUR FREE 2 YEAR GUARANTEE



REGISTER ONLINE

Visit our website to register your full parts and labour guarantee online.

www.dyson.com/register



REGISTER BY PHONE

Call our dedicated Helpline. Open 7am–10pm. 7 days a week.

UK 0800 298 0298
ROI 01 475 7109



REGISTER BY MAIL

Complete and return the form to Dyson in the envelope supplied.

