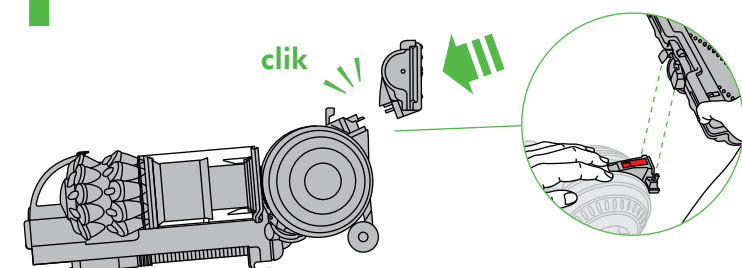


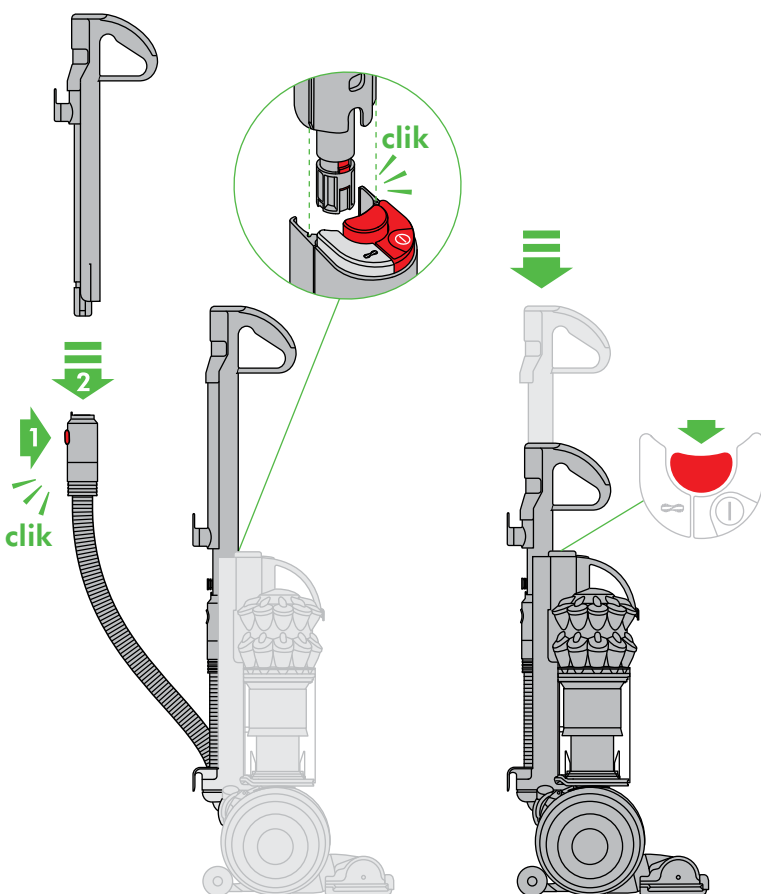
ASSEMBLY ARMADO

1



2

3



WASH FILTERS

Wash filters with cold water at least every month.

LAVADO DE LOS FILTROS

Lave los filtros con agua fría al menos cada mes.



month
mes

REGISTER TODAY

3 easy ways to register your 5 year warranty.

REGISTRE HOY

3 maneras fáciles de registrarse sus 5 años de garantía.



IMPORTANT SAFETY INSTRUCTIONS

BEFORE USING THIS MACHINE READ ALL INSTRUCTIONS AND CAUTIONARY MARKINGS IN THIS MANUAL AND ON THE MACHINE

When using an electrical appliance, basic precautions should always be followed, including the following:

! WARNING

TO REDUCE THE RISK OF FIRE, ELECTRIC SHOCK, OR INJURY:

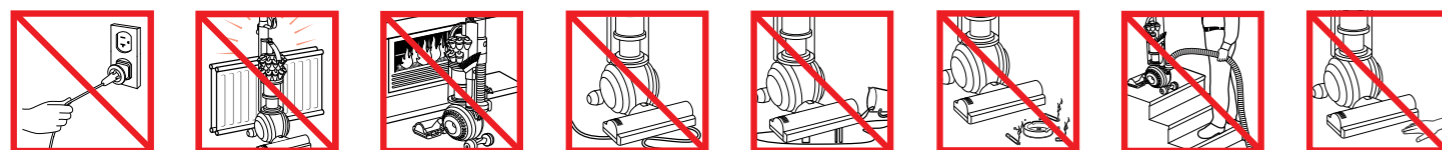
1. This Dyson machine is not intended for use by young children or infirm persons with reduced physical, sensory or reasoning capabilities, or lack of experience and knowledge, unless they have been given supervision or instruction by a responsible person concerning use of the machine to ensure that they can use it safely.
2. Do not allow to be used as a toy. Close attention is necessary when used by or near children. Children should be supervised to ensure that they do not play with the machine.
3. Use only as described in this Dyson Operating Manual. Do not carry out any maintenance other than that shown in this manual, or advised by the Dyson Helpline.
4. Suitable for dry locations only. Do not use outdoors or on wet surfaces.
5. Do not use to pick up water.
6. Do not handle any part of the plug or machine with wet hands.
7. Do not use with a damaged cord or plug. If the supply cord is damaged it must be replaced by Dyson, its service agent or similarly qualified persons in order to avoid a hazard.
8. If the machine is not working as it should, has received a sharp blow, has been dropped, damaged, left outdoors, or dropped into water, do not use and contact the Dyson Helpline.
9. Contact the Dyson Helpline when service or repair is required. Do not disassemble the machine as incorrect reassembly may result in an electric shock or fire.
10. Do not stretch the cord or place the cord under strain. Keep the cord away from heated surfaces. Do not close a door on the cord, or pull the cord around sharp edges or corners. Arrange the cord away from traffic areas and where it will not be stepped on or tripped over. Do not run the machine over the cord.
11. Do not unplug by pulling on the cord. To unplug, grasp the plug, not the cord. The use of an extension cord is not recommended.
12. Do not use to pick up flammable or combustible liquids, such as gasoline, or use in areas where they or their vapors may be present.
13. Do not pick up anything that is burning or smoking, such as cigarettes, matches, or hot ashes.
14. Keep hair, loose clothing, fingers, and all parts of the body away from openings and moving parts. Do not point the hose, wand or tools at your eyes or ears or put them in your mouth.
15. Do not put any object into openings. Do not use with any opening blocked; keep free of dust, lint, hair, and anything that may reduce airflow.
16. Use only Dyson recommended accessories and replacement parts.
17. To avoid a tripping hazard rewind the cord when not in use.
18. Do not use without the clear bin and filter in place.
19. Do not leave the machine when plugged in. Unplug when not in use and before servicing.
20. Do not pull or carry by cord or use cord as a handle.
21. Use extra care when cleaning on stairs. Do not work with the machine above you on the stairs.
22. Turn off all controls before unplugging. Unplug before connecting any tool or accessory.

READ AND SAVE THESE INSTRUCTIONS

THIS DYSON MACHINE IS INTENDED FOR HOUSEHOLD USE ONLY

POLARIZATION INSTRUCTIONS

To reduce the risk of electric shock, this Dyson machine has a polarized plug (one blade is wider than the other). This plug will fit in a polarized outlet only one way. If the plug does not fit fully in the outlet, reverse the plug. If it still does not fit, contact a qualified electrician to install the proper outlet. Do not attempt to defeat this safety feature and do not change the plug in any way.



- Do not pull on the cord.
- Do not store near heat sources.
- Do not use near open flames.
- Do not run over the cord.
- Do not pick up water or liquids.
- Do not pick up burning objects.
- Do not use above you on the stairs.
- Do not put hands near the brush bar when the machine is in use.

INSTRUCCIONES DE SEGURIDAD IMPORTANTES

ANTES DE UTILIZAR ESTA MÁQUINA, LEA TODAS LAS INSTRUCCIONES Y LA INDICACIONES DE PRECAUCIÓN QUE VIENEN TANTO EN ESTE MANUAL COMO EN LA MÁQUINA

Cuando se usa un aparato eléctrico, deben seguirse las precauciones básicas para reducir riesgos de incendio, descarga eléctrica y lesiones personales, que incluyen lo siguiente:

! PELIGRO

PARA DISMINUIR EL RIESGO DE PROVOCAR UN INCENDIO, RECIBIR UNA DESCARGA ELÉCTRICA O LESIONES:

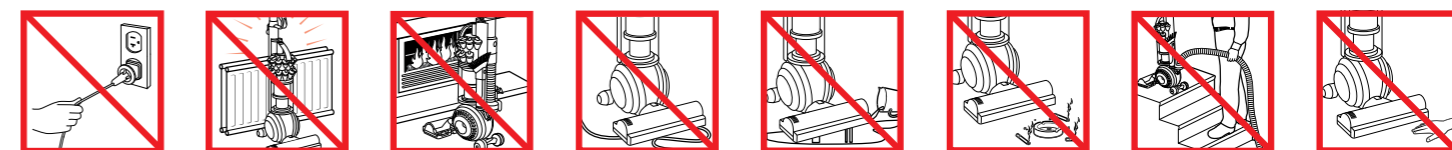
1. Esta máquina Dyson no fue diseñada para que ser utilizada por niños o personas débiles con capacidades físicas, sensoriales o mentales reducidas, o que carezcan de conocimiento y experiencia al respecto, a menos que sean supervisadas o hayan recibido instrucciones por parte de una persona responsable.
2. No permita que se utilice como un juguete. Es necesaria la atención de un adulto cuando es utilizada por o cerca a un niño. Los niños deben ser supervisados para asegurarse de que no jueguen con la máquina.
3. Utilícela solamente como se describe en este manual de funcionamiento Dyson. No realice ningún otro mantenimiento que no sea el mostrado en este manual, o el recomendado por la línea de ayuda de servicio al cliente Dyson.
4. Adecuada solamente para lugares secos. No utilice para aspirar agua u otros líquidos.
5. No utilice para aspirar agua u otros líquidos.
6. No manipule el enchufe o de la máquina con las manos mojadas.
7. No lo use si el cable o el enchufe están dañados. Si se ha dañado el cable de corriente, deberá ser reemplazado por Dyson, uno de sus representantes de servicio u otra persona igualmente capacitada a fin de evitar un peligro.
8. Si la máquina no funciona como es debido, ha recibido un golpe fuerte o se ha caído, dañado, dejado a la intemperie, o sumergido en agua, no lo utilice y comuníquese con la línea de ayuda de servicio al cliente Dyson.
9. Comuníquese con la línea de ayuda de servicio al cliente Dyson cuando se requiera mantenimiento o reparación. No desmonte la máquina, ya que un montaje incorrecto puede provocar descargas eléctricas o incendios.
10. No estire el cable ni lo someta a tensión. Mantenga el cable alejado de superficies calientes. No atrape el cable al cerrar puertas, ni jale el cable sobre bordes o esquinas filosas. Coloque el cable alejado de áreas de tráfico intenso, en un lugar donde nadie pueda pisar o tropezar con el cable. No pise el cable con la máquina.
11. No desconecte la máquina tirando del cable. Para desconectar, tome el enchufe y no el cable. No es recomendable utilizar una extensión de cable.
12. No aspire líquidos inflamables o combustibles como gasolina, ni la utilice en áreas dónde pueda haber este tipo de líquido.
13. No aspire nada que se esté quemando o que emita humo, como cigarrillos, fósforos o cenizas calientes.
14. Mantenga el cabello, ropa suelta, los dedos y cualquier otra parte del cuerpo alejados de las aberturas y de las partes móviles. No apunte con la manguera, la empuñadura o los accesorios a los ojos u orejas, ni se los meta en la boca.
15. No obstruya las aberturas de la máquina con ningún objeto. No utilice la máquina si tiene alguna abertura obstruida; manténgalas libres de polvo, pelusas, cabellos o cualquier otra cosa que pueda reducir la circulación del aire.
16. Utilice solamente los accesorios y las piezas de repuesto recomendadas por Dyson.
17. Para evitar un peligro de tropiezo, enrolle el cable cuando no este en uso.
18. No utilice si el compartimiento cubo transparente y el filtro no están colocados en su lugar.
19. No se aleje de la máquina si está conectado. Desconéctelo si no lo está usando y antes de darle servicio.
20. No utilice el cable para jalar o transortar la máquina, ni use el cable como si fuera una asa.
21. Tenga mucho cuidado cuando utilice la máquina sobre una escalera. No trabaje con la máquina por encima de usted en la escalera.
22. Apague todos los controles antes de desconectar. Desenchufe antes de conectar cualquier herramienta o accesorio.

LEA Y GUARDE ESTAS INSTRUCCIONES

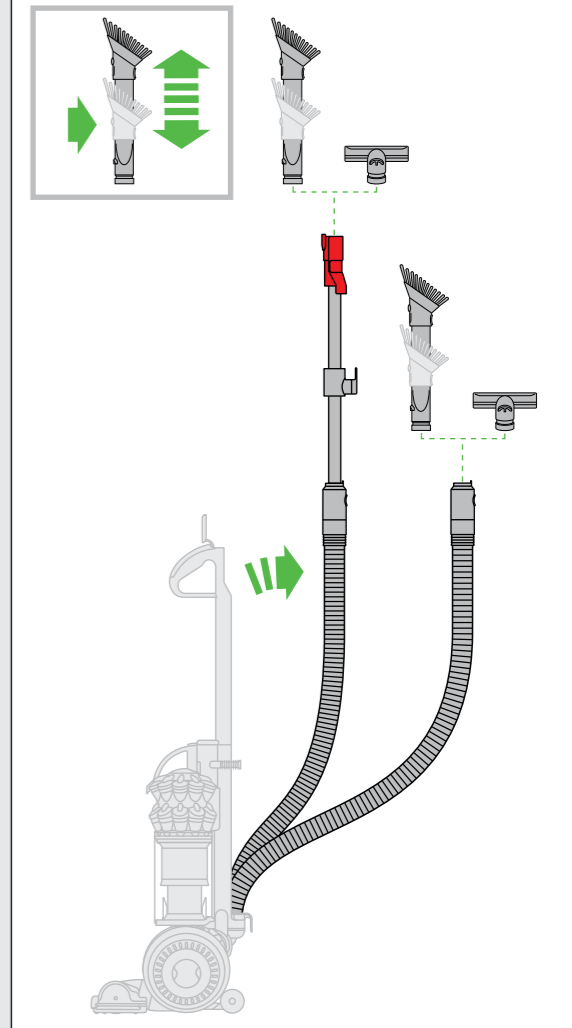
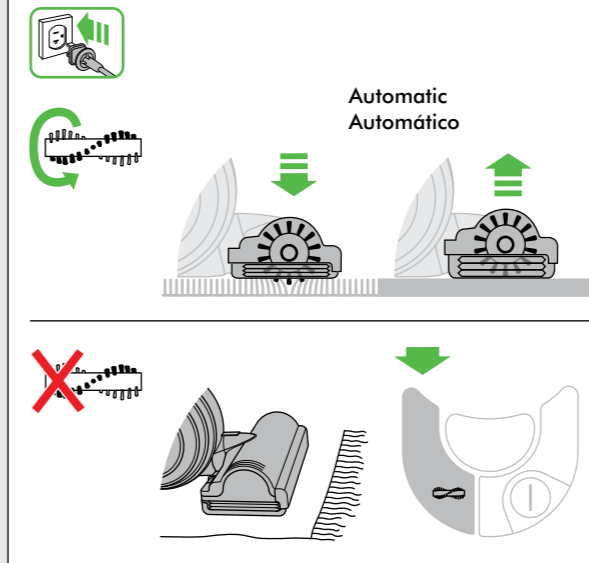
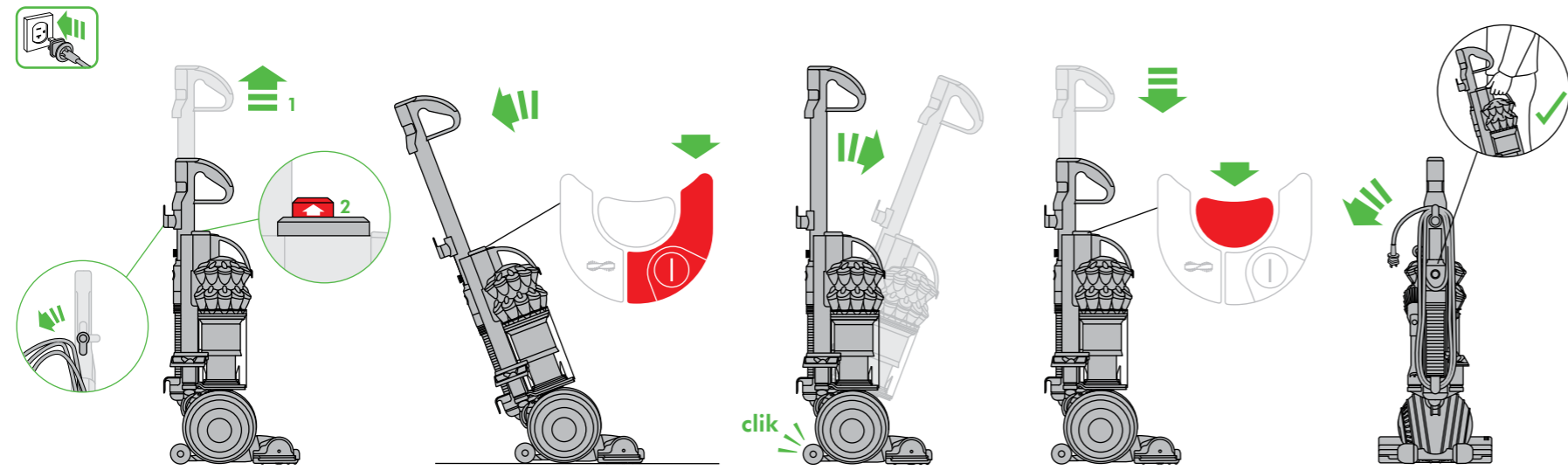
ESTA MÁQUINA DYSON ES PARA USO DOMÉSTICO SOLAMENTE

INSTRUCCIONES DE POLARIZACIÓN

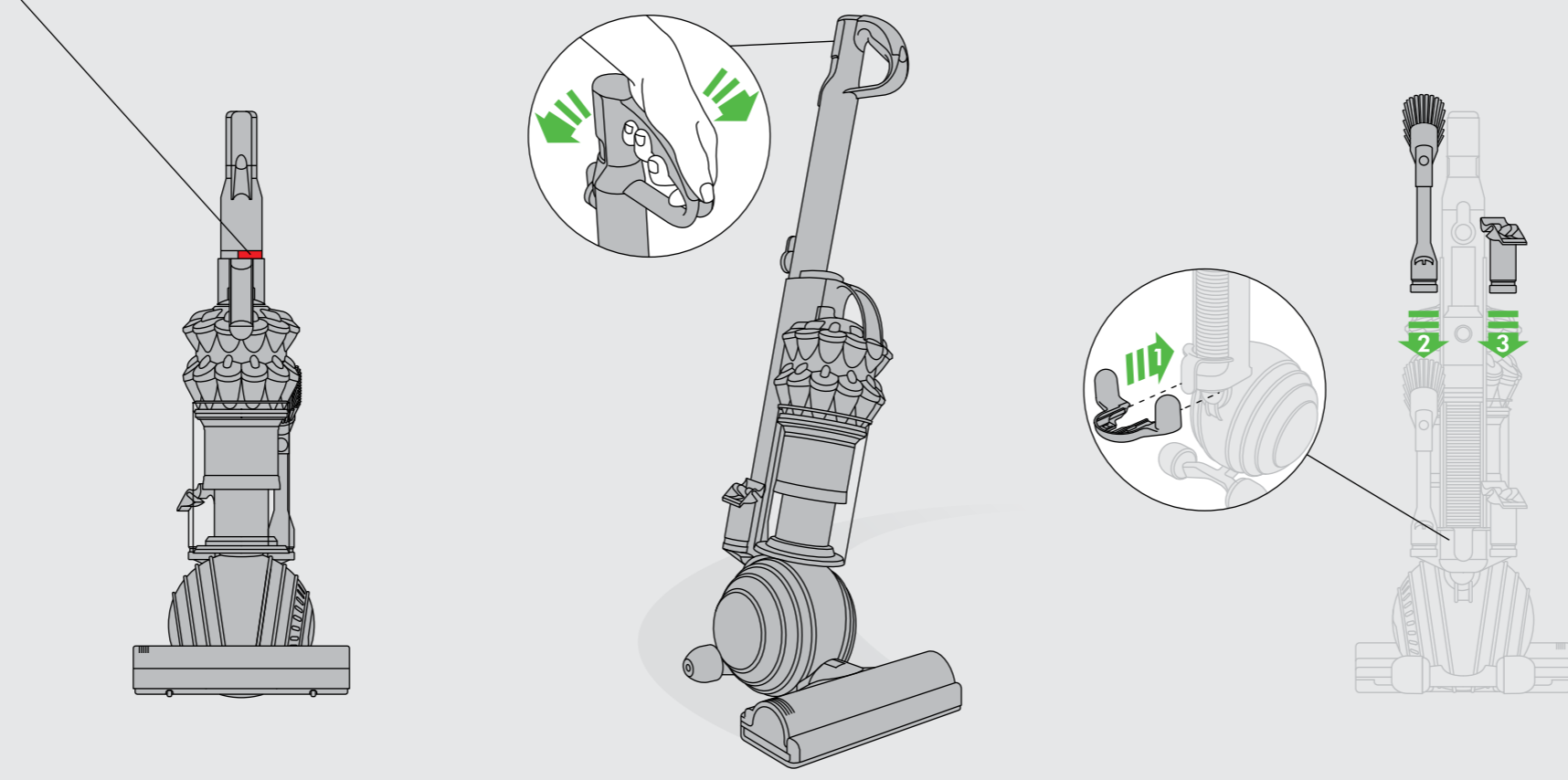
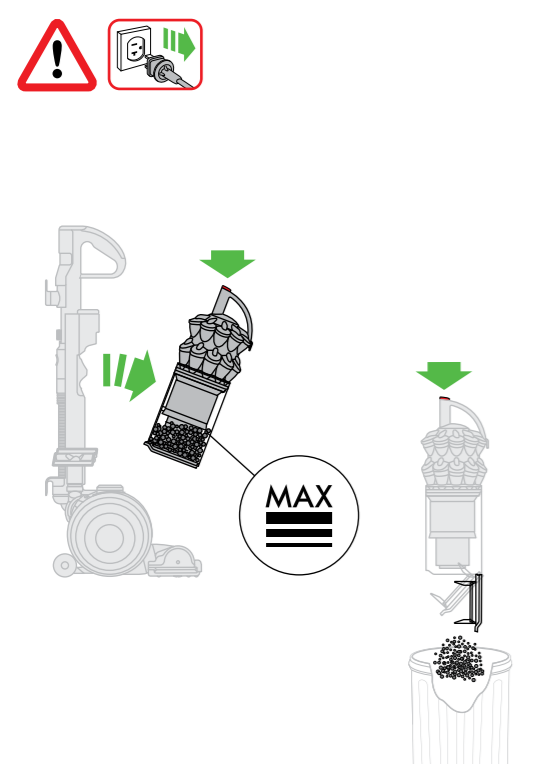
Para disminuir el riesgo de choque eléctrico, esta máquina Dyson lleva un enchufe polarizado (una clavija es más ancha que la otra). Este enchufe se conecta a una toma de corriente polarizada de una sola forma. Si el enchufe no entra totalmente en la toma de corriente, dé la vuelta al enchufe. Si sigue sin entrar bien, póngase en contacto con un electricista calificado para instalar una toma de corriente correcta. No intente violar este dispositivo de seguridad, ni haga modificación alguna al enchufe.



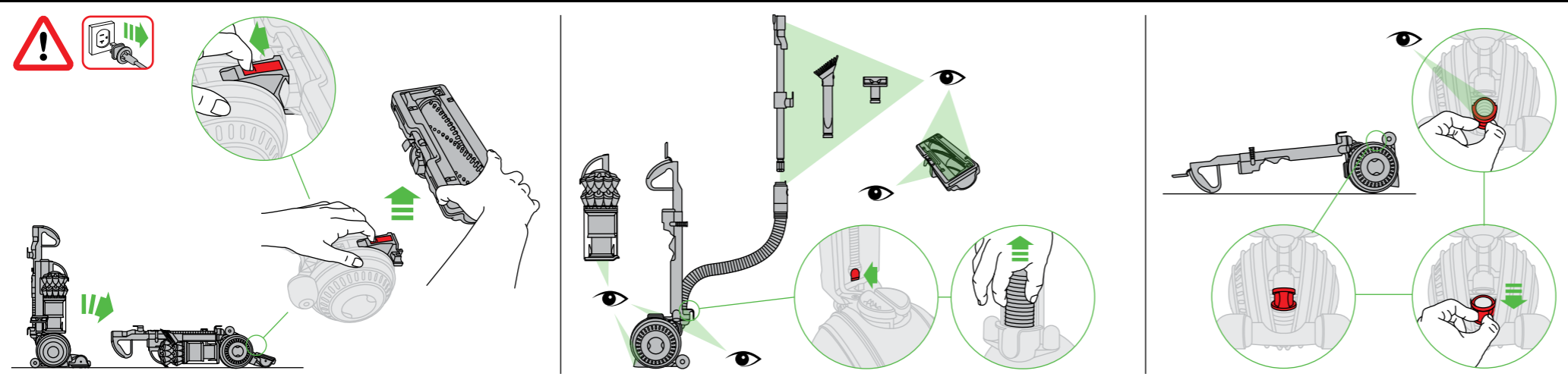
- No tire del cable.
- No guarde el aparato cerca de fuentes de calor.
- No utilice el aparato cerca de una llama.
- No pise el cable.
- No aspire agua o líquidos.
- No aspire objetos que se estén quemando.
- No coloque el aparato por encima suyo cuando esté en una escalera.
- No ponga sus manos cerca del cepillo cuando esté utilizando la máquina.



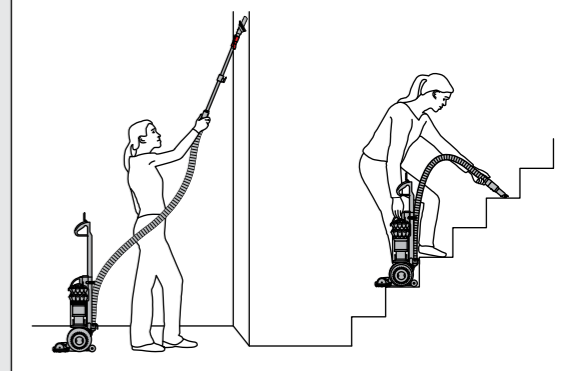
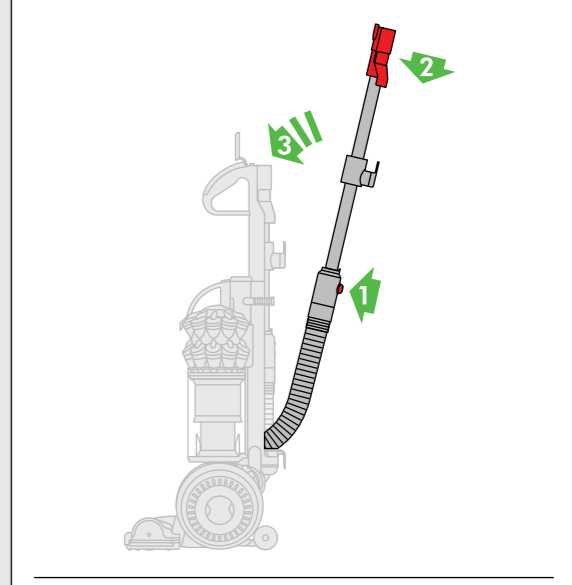
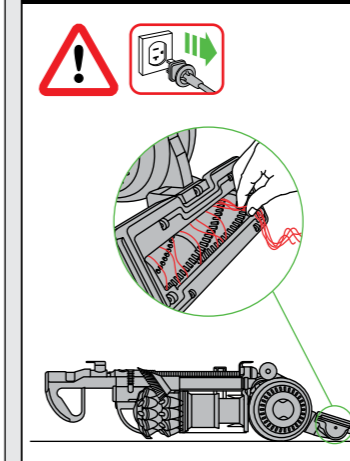
Emptying the clear bin
Cómo vaciar el cubo transparente



Looking for blockages • Cómo buscar obstrucciones



Brush bar clearing obstructions
Cepillo: para eliminar obstrucciones

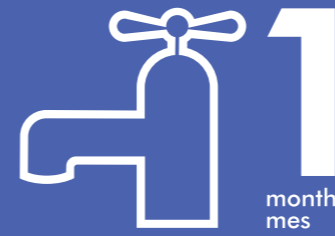


IMPORTANT!

WASH FILTERS

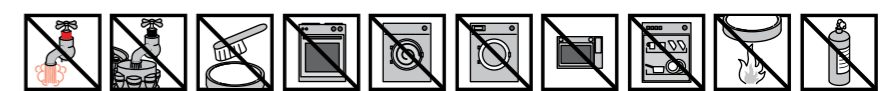
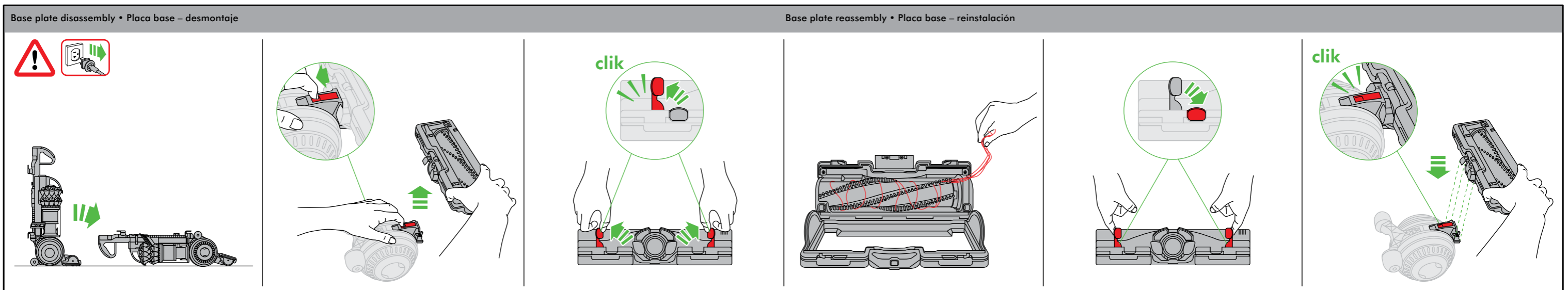
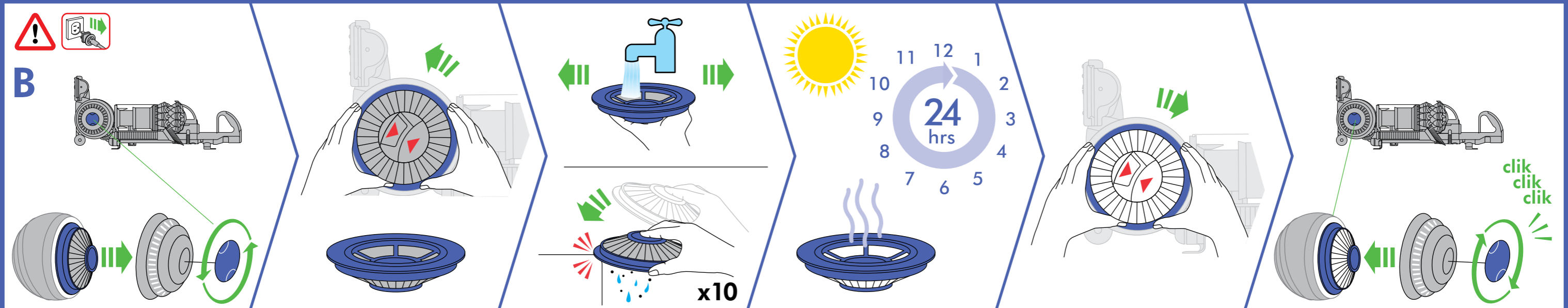
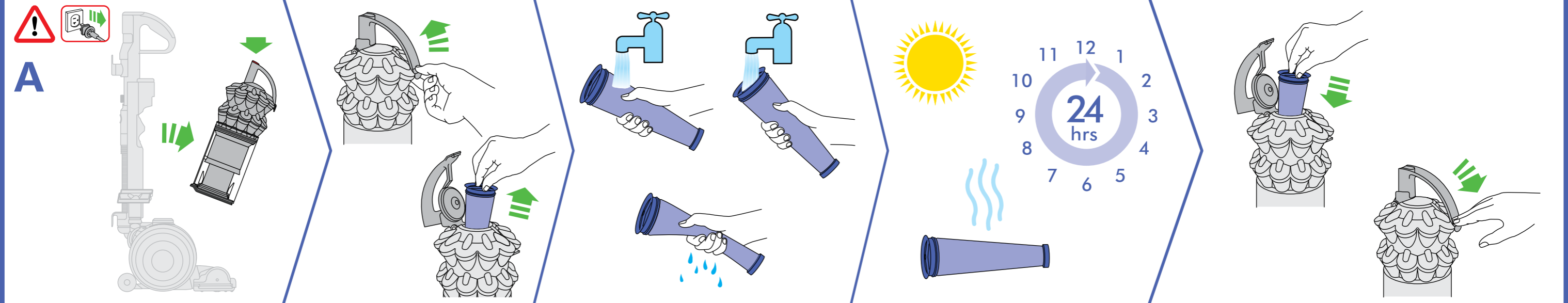
¡IMPORTANTE!

LAVADO DE LOS FILTROS



Wash filters with cold water at least every month.
The filters may require more frequent washing if vacuuming fine dust.

Lave los filtros con agua fría al menos cada mes.
Si se aspira polvo fino, será necesario lavar el filtro con mayor frecuencia.



USING YOUR DYSON MACHINE

PLEASE READ THE ‘IMPORTANT SAFETY INSTRUCTIONS’ IN THIS DYSON OPERATING MANUAL BEFORE PROCEEDING.

ASSEMBLY

- Lie the machine on its back.
- Attach the cleaner head by sliding it onto the connections on the lower front part of the ball. Ensure the electrical plug on the cleaner head fits into the two-block connection on the body of the machine, which is directly above the airway. Push firmly: the cleaner head will click into place and the red latch will engage.
- Stand the machine up straight.
- Place the handle and wand assembly into the grooves in the top of the duct on the machine.
- Push the red handle release button down. Slide the handle down in the grooves for about 4 inches. Let go of the button. Pull up the handle gently until it clicks into place – the red handle release button will pop up.
- Connect the wand and the hose. Make sure they are seated in the recess of the handle.
- Push the red handle release button down whilst pressing the red button on the hose. Slide the handle down into place in the machine. The red handle release button will remain down. This is the storage position.
- Close the wand cap.
- To fit the tool holder, first remove the cyclone and clear bin assembly: release it by pressing the red button at the top of the cyclone.
- Slide the tool holder onto the back of the machine, just above the ball, as shown. Press the tool holder on with your thumbs, while holding the front of the machine with your fingers. The fitting is tight, so use a constant, firm pressure. (Please note: The tool holder is not designed to be removed.)
- Refit the cyclone and clear bin unit.
- Attach the tools.
- Wind the cord around the cord hooks. Secure with the clip.
- To watch a short online video visit: www.dyson.com/dc50gettingstarted

OPERATION

- Unwind the cord.
- Plug the machine into the main electricity supply.
- To use, pull up the handle to extend it. The red handle release button will pop up. Recline the machine by pulling backwards on the handle.
- To switch ‘ON’ or ‘OFF’ press the red power button, located as shown.
- After use, return the machine to the upright position, pushing it firmly into place. The stabilizer wheels will automatically lower.
- To retract the handle, make sure the hose and wand are seated in the recess of the handle.
- Push the red handle release button down. Slide the handle down into place in the machine.
- Then unplug, coil the cord safely and put the machine away.
- Switch ‘OFF’ the machine, unplug and ensure it is upright before:
 - changing or using tools
 - removing the hose or airway inspection parts.
- Use the cyclone carry handle to carry the machine.
- The wand can be used when the handle is retracted or extended.
- To release the wand, open the wand release cap.
- Pull the wand up and away from the handle.
- In use, the tools can be attached to either the hose or the wand.
- To attach the tools to the hose, press the red release button in the connecting collar and remove the wand from the hose.
- To refit, remove tools and place the wand into the hose until the red button clicks into place.
- Press the red button on the hose. Slide the wand into the hose.
- Make sure the wand and hose are seated in the recess of the handle. The hose must be contracted.
- If the handle is extended, hold the collar with the cord hook on it and slide it down in the recess of the handle – it will click into place. Make sure the top of the wand clicks into place in the top of the handle at the same time. Close the wand cap.
- Press the red handle release button down and slide the handle down into the machine.
- If the handle in the low storage position, make sure the collar with the cord hook is seated in the recess of the handle. Slide the wand down into the hose so the top of the wand clicks into place in the top of the handle at the same time.

CARPETS OR HARD FLOORS

- The brush bar will always default to ‘ON’ (spinning) each time you switch the machine ‘ON’ and recline it for cleaning.
- The brush bar will not rotate when the machine is upright.
- To switch the brush bar ‘OFF’ (e.g. for delicate rugs and delicate flooring):
 - switch the machine ‘ON’
 - recline the machine
 - press the brush bar ‘ON/OFF’ button – the brush bar will stop spinning.
- The brush bar will automatically stop if it becomes obstructed. See ‘Brush bar – clearing obstructions’.
- Before vacuuming your flooring, rugs and carpets, check the manufacturer’s recommended cleaning instructions.
- Some carpets may fuzz if a rotating brush bar is used when vacuuming. If this happens, we recommend vacuuming with the brush bar switched ‘OFF’ and consulting with the flooring manufacturer.
- The brush bar on the machine may damage some carpet types. If you are unsure, switch ‘OFF’ the brush bar.
- Please note that the brush bar contains carbon fiber brushes. Take care if coming into contact with these brushes, as they may cause minor skin irritation. Wash your hands after handling the brushes.

LOOKING AFTER YOUR DYSON MACHINE

- Do not carry out any maintenance or repair work other than that shown in this Dyson Operating Manual, or advised by the Dyson Helpline.
- Only use parts recommended by Dyson. If you do not this could invalidate your guarantee.

- Store the machine indoors. Do not use or store it below 32°F. Ensure the machine is at room temperature before operating.
- Clean the machine only with a dry cloth. Do not use any lubricants, cleaning agents, polishes or air fresheners on any part of the machine.
- If used in a garage, always wipe the base plate, ball and stabilizer wheels with a dry cloth after vacuuming to clean off any sand, dirt or pebbles that could damage delicate floors.
- Do not use this vacuum cleaner outdoors. The Dyson Car Cleaning Kit (Model 08909) is intended for use only inside a garage.

VACUUMING

CAUTION:

- Do not use without the clear bin and filters in place.
- Fine dirt such as plaster dust or flour should only be vacuumed in very small amounts.
- Do not use the machine to pick up sharp hard objects, small toys, pins, paper clips, etc. They may damage the machine.
- When vacuuming, certain carpets may generate small static charges in the clear bin or wand. These are harmless and are not associated with the main electricity supply.
- To minimize any effect from this, do not put your hand or insert any object into the clear bin unless you have first emptied it and rinsed it out with cold water (see ‘Cleaning the clear bin’).
- Powerful suction can cause the hose to ‘pull back’ – please take care.
- Do not work with the machine above you on the stairs. When cleaning stairs it is recommended that the handle is not extended and that you use a tool on the end of the hose rather than the wand.
- Do not put the machine on chairs, tables, etc.
- Before vacuuming highly polished floors, such as wood or linoleum, first check that the underside of the floor tool and its brushes are free from foreign objects that could cause marking.
- Do not leave the cleaner head in one place on delicate floors.

EMPTYING THE CLEAR BIN

- Empty as soon as the dirt reaches the level of the MAX mark – do not overfill.
- Switch ‘OFF’ and unplug before emptying the clear bin.
- To remove the cyclone and clear bin unit, press down on the red button on the top of the carrying handle on the cyclone.
- To release the dirt, press all the way down on the same red button on the top of the carrying handle on the cyclone.
- To minimize dust/allergen contact when emptying, encase the clear bin tightly in a plastic bag and empty.
- Remove the clear bin carefully from the bag.
- Seal the bag tightly, dispose as normal.
- To refit:
 - ensure the airway in the bin base is clear of dust and dirt
 - close the clear bin base so it clicks into place
 - push the cyclone and clear bin unit into the main body of the machine; it will click into place
 - ensure the cyclone and clear bin unit is secure.

CLEANING THE CLEAR BIN

- Remove cyclone and clear bin (instructions above).
- To separate the cyclone unit from the clear bin press the red button to open the clear bin base. This exposes a small silver button behind the red opening mechanism. Press the silver button (on its ribbed area) and separate the cyclone unit from the clear bin.
- Clean the clear bin with cold water only.
- Ensure the clear bin is completely dry before replacing.
- Do not use detergents, polishes or air fresheners to clean the clear bin.
- Do not put the clear bin in a dishwasher.
- Do not immerse the whole cyclone unit in water or pour water into it.
- Clean the cyclone shroud with a dry cloth or dry brush to remove lint and dust.
- To refit:
 - fit the cyclone shroud into the clear bin so that the silver button clicks and engages
 - close the clear bin base so it clicks into place
 - push the cyclone and clear bin unit into the main body of the machine; it will click into place
 - ensure the cyclone and clear bin unit are secure.

WASHING YOUR FILTERS

- Your machine has two washable filters, located as shown.
- Check and wash the filters once a month to maintain performance.
- Switch ‘OFF’ and unplug before checking or removing the filters.
- The filters may require more frequent washing if vacuuming fine dust.
- Wash with cold water only. Do not use detergents.
- Do not put the filters in a dishwasher, washing machine, tumble dryer, oven, microwave or near an open flame.
- Filter A
- Remove the cyclone and clear bin (instructions above).
- Release the catch on the front of the cyclone handle. Swing the handle back.
- Lift out the filter.
- Wash the filter with cold water only. Hold under a tap and run water through the open end until the water runs clear. Turn upside down and tap out.
- Squeeze and twist with both hands to make sure the excess water is removed.
- Run water over the outside of the filter until the water runs clear.
- Squeeze and twist with both hands to make sure the excess water is removed.
- Stand the filter on its wide, open end to dry. Leave to dry completely for a minimum of 24 hours.
- Replace the filter into the cyclone. Swing the handle back into place. Ensure the latch clicks to engage and is secure. Fit the cyclone and clear bin unit onto the machine (instructions above).
- Filter B
- Lie the machine on its side.
- To remove filter B:
 - turn the blue central locking dial on the outer cover of the ball anti-clockwise until the cover is released

- lift off the cover
- turn the filter one-quarter counter-clockwise to release.

- Wash the filter with cold water only.
- Filter B should be rinsed and tapped out until the water runs clear, then tapped out again to ensure all excess water is removed. (Tap on the plastic rim, not the filter material.) Leave to dry completely for a minimum of 24 hours.
- It is normal for the filter in the ball to turn grey in color.
- To refit filter B:
 - refit the filter on to the ball
 - secure the filter by turning it clockwise so the white arrows align.
- When refitting the outer cover of the ball, keep turning the central locking dial clockwise. When it starts to click it is locked.
- To watch a short online video visit: www.dyson.com/dc50filterwash

CLEARING BLOCKAGES – THERMAL CUT-OUT

- This machine is fitted with an automatically resetting thermal cut-out.
- Large items may block the tools or wand inlet. If any part becomes blocked the machine may overheat and automatically cut-out.
- If this happens, follow the instructions below in ‘Looking for blockages’.

LOOKING FOR BLOCKAGES

- Switch ‘OFF’ and unplug before looking for blockages. Failure to do so could result in personal injury.
- Leave to cool down before checking the filters or for blockages.
- Clear any blockage before restarting.
- Look for blockages in the wand, airways and cleaner head.
- To release the hose from the machine, you will need to remove the wand.
- Open the wand release cap.
- Pull the wand up and away from the handle.
- Press the red release button in the connecting collar and remove the wand from the hose.
- Release the hose from the machine by pressing the red tab on the base of the hose – you can see it from the front of the machine.
- Check for blockages in the hose.
- BEWARE OF SHARP OBJECTS WHEN CHECKING FOR BLOCKAGES.**
- To refit the hose, align the guides on the base of the hose with the channels in the neck of the airway. Ensure the red tab faces the front of the machine. Push the hose on. It will click into place. To refit the wand follow the instructions above in the ‘Operation’ section.
- To remove the base plate to access an obstruction, see ‘Base plate – disassemble/reassemble’.
- To look for blockages in the front airway between the ball and the cleaner head you will need to remove the cleaner head: see ‘Base plate – disassembly/ reassembly’ below on how to do this.
- To look for blockages in the rear airway between the ball and the cleaner head you will need to release the elasticated rear connection. Pull the plastic connector towards you to release from the upper airway. To replace it, pull it a little way out on the horizontal so that it aligns with the upper airway. Gently release it so it pulls itself back into place.
- Refit all parts securely before using.
- Clearing blockages is not covered by your warranty.

BRUSH BAR – CLEARING OBSTRUCTIONS

- If your brush bar is obstructed, it may shut off. If this happens, you will need to remove the blockage.
- Switch ‘OFF’ and unplug before proceeding. Failure to do so could result in personal injury.
- Please note that the brush bar contains carbon fiber brushes. Take care if coming into contact with these brushes, as they may cause minor skin irritation. Wash your hands after handling the brushes.
- Beware of sharp objects when clearing obstructions.
- If you still cannot clear the obstruction, please follow the instructions below to remove the base plate. This gives more access to the obstruction. Alternatively, contact a Dyson expert on the Dyson Helpline or visit the website. Clearing brush bar obstructions is not covered by your warranty.

BASE PLATE - DISASSEMBLE/REASSEMBLE

- Switch ‘OFF’ and unplug before proceeding. Failure to do so could result in personal injury.
- Lie the machine on its front.
- There is a red latch on the connection between the ball and cleaner head. Slide it towards the ball, supporting the machine as you do so.
- Pull the cleaner head away from the machine. Use a constant, firm pressure.
- At each end of the cleaner head are two red levers:
 - pivot the levers up and out towards the end of the cleaner head until they click
 - hinge the base plate open.
- Beware of sharp objects when clearing obstructions.
- To refit the base plate, hinge it closed.
- To secure the base plate pivot both levers back into position so they are flush with the surface of the cleaner head.
- Lie the machine on its back.
- Fit the cleaner head back onto the connections underneath the front part of the ball. Slide the cleaner head up into the channels either side of the airway. Push firmly: the cleaner head will click into place and the red latch will engage.

BRUSH BAR – TROUBLESHOOTING

- If the brush bar has stopped spinning, follow the instructions above on clearing obstructions. Alternatively, contact a Dyson expert on the Dyson Helpline or visit the website.
- For additional online help visit: www.dyson.com/DC50brushbarmaintenance

DYSON CUSTOMER CARE

THANK YOU FOR CHOOSING TO BUY A DYSON MACHINE

If you have a question about your Dyson machine, call the Dyson Helpline with your serial number and details of where and when you bought the machine. Most questions can be solved over the phone by one of our Dyson Helpline staff.

If your Dyson machine needs service, call the Dyson Helpline so we can discuss the available options. If your Dyson machine is under warranty, and it is a covered repair, it will be repaired at no cost. The serial number can be found on the rating plate which is on the main body of the machine behind the clear bin.

PLEASE REGISTER AS A DYSON MACHINE OWNER

To help us ensure you receive prompt and efficient service, please register as a Dyson machine owner. There are three ways to do this:

- Online at www.dyson.com
 - Telephone the Dyson Helpline, 1-866-277-4649.
 - Complete the enclosed Warranty Form and post it to us.
- This will confirm ownership of your Dyson machine in the event of an insurance loss, and enable us to contact you if necessary.

5 YEAR WARRANTY

TERMS AND CONDITIONS OF THE DYSON 5 YEAR LIMITED WARRANTY.

WHAT IS COVERED

Your Dyson machine is warranted against original defects in material and workmanship for a period of 5 years from the date of purchase, when used for private household purposes in accordance with the Dyson Operating Manual. This warranty provides, at no extra cost to you, all labor and parts necessary to ensure your machine is in proper operating condition during the warranty period. This limited warranty is subject to the following terms:

WHAT IS NOT COVERED

Dyson, Inc. shall not be liable for costs, damages or repairs incurred as a result of:

- Machines purchased from an unauthorized dealer.
- Careless operation or handling, misuse, abuse and/or lack of maintenance or use not in accordance with the Dyson Operating Manual.
- Use of the machine other than for normal domestic purposes within the United States, e.g. for commercial or rental purposes.
- Use of parts not in accordance with the Dyson Operating Manual.
- Use of parts and accessories other than those produced or recommended by Dyson, Inc.
- External sources such as weather.
- Repairs or alterations carried out by unauthorized parties or agents.
- Clearing blockages from your machine.
- Normal wear and tear, including normal wearing parts, such as clear bin, belt, filter, brush bar, hose assembly and power cord (or where external damage or abuse is diagnosed), carpet or floor damage due to use not in accordance with manufacturer’s instructions or failure to turn the brush bar off when necessary.

WARRANTY SERVICE

- Please fill out and return the Warranty Form, or register online at www.dyson.com
- Before service can take place, the terms of the limited warranty require that you contact the Dyson Helpline with your model name/number, serial number, date and place of purchase.
- Please keep your purchase receipt in a safe place to ensure you have this information.
- All work will be carried out by Dyson, Inc. or its authorized agents.
- Any replaced defective parts will become the property of Dyson, Inc.
- Service under this warranty will not extend the period of this warranty.
- If your machine is not functioning properly, please call the Dyson Helpline. Most issues can be rectified over the telephone by our trained Customer Care staff. If this is not possible Dyson, Inc. will arrange for your machine to be repaired and returned in full working order at no extra cost to yourself.

WARRANTY LIMITATION AND EXCLUSIONS

- Any implied warranties relating to your machine including but not limited to warranty of merchantability or warranty of fitness for a particular purpose, are limited to the duration of this warranty. This limitation is not allowed by some States and so this limitation may not apply to you.
- Your remedy for breach of this warranty is limited to the warranty service described above. Dyson, Inc. will not be liable for any consequential damages or incidental damages you may incur in connection with your purchase and use of your machine. This limitation is not allowed by some States and so this limitation may not apply to you.
- This limited warranty gives you specific legal rights. You may also have other rights which vary by State.
- This limited warranty is not transferable.

IMPORTANT DATA PROTECTION INFORMATION

Your details will be held by Dyson, Inc. or others on behalf of Dyson, Inc. so that we can assist you more quickly in our Customer Service department. From time to time, Dyson, Inc. may send you special offers and news of our latest innovations. Check the box on the Warranty Form within the Dyson Operating Manual if you do not wish to receive marketing or promotional information from Dyson, Inc. For more information about our data collection practices, please refer to the Dyson, Inc. privacy policy at www.dyson.com/privacy

DISPOSAL INFORMATION

Dyson products are made from high grade recyclable materials. Recycle where possible.

PRODUCT INFORMATION

Please note: Small details may vary from those shown.

USO DE SU MÁQUINA DYSON

ANTES DE CONTINUAR, SÍRVASE LEER LAS “”INSTRUCCIONES DE SEGURIDAD IMPORTANTES”” DE ESTE MANUAL DE FUNCIONAMIENTO DYSON.

ARMADO

- Recueste la máquina.
- Fije el cabezal de la aspiradora deslizándolo sobre las conexiones de la parte delantera inferior de la esfera giratoria. Compruebe que el enchufe eléctrico del cabezal se ajusta en la conexión de bloque doble en el cuerpo del aparato, que está directamente arriba del conducto de ventilación. Empuje con fuerza: se escuchará un chasquido cuando el cabezal de la aspiradora encaje en su lugar y se conectará el pasador rojo.
- Levante la máquina y colóquela en posición vertical.
- Coloque el conjunto de manija y tubo en las ranuras que se encuentran en la parte superior del conducto de la máquina.
- Presione el botón rojo de liberación de la manija. Deslice la manija hacia abajo hasta insertarla en las ranuras a una profundidad de aproximadamente 4 pulgadas. Suelte el botón. Levante con cuidado la manija hasta que se escuche un chasquido cuando encaja en su lugar (saltará el botón rojo de liberación de la manija).
- Conecte el tubo y la manguera. Asegúrese de que estén fijos en la hendidura de la manija.
- Presione el botón de liberación del mango rojo mientras presiona el botón rojo de la manguera. Deslice la manija hacia abajo hasta colocarla en el lugar de la máquina que le corresponde. El botón rojo de liberación de la manija permanecerá abajo. Esta es la posición de almacenamiento.
- Cierre la tapa del tubo.
- Para ajustar el portaherramientas, quite primero el conjunto del extractor de polvo y el compartimiento cubo transparente: para liberarlo, presione el botón rojo que se encuentra en la parte superior del extractor de polvo.
- Deslice el portaherramientas sobre la parte trasera de la máquina, justo encima de la esfera giratoria, como se muestra en la imagen. Presione el portaherramientas con sus pulgares, al mismo tiempo que sostiene la parte frontal de la máquina con el resto de los dedos. El accesorio está ajustado, por lo que se debe aplicar una presión firme y constante. (Tenga en cuenta que el portaherramientas no está diseñado para su extracción.)
- Vuelva a colocar la unidad de extractor de polvo y el compartimiento cubo transparente.
- Fije las herramientas.
- Enrolle el cable alrededor de los ganchos para cables. Ajústelo con el broche.
- Para ver un breve video en línea, visite: www.dyson.com/dc50gettingstarted

FUNCIONAMIENTO

- Desenrolle el cable.
- Conecte la máquina al suministro de corriente eléctrica.
- Para utilizar la máquina, levante la manija de manera que se extienda. Saltará el botón rojo de liberación de la manija. Recline la máquina. Para ello, tire la manija hacia atrás.
- Para cambiar a encendido o apagado, presione el botón rojo de alimentación que se encuentra donde se muestra en la imagen.
- Después de su uso, vuelva a colocar la máquina en posición vertical y asegúrese de que quede firme. Las ruedas estabilizadoras descenderán automáticamente.
- Para retirar la manija, asegúrese de que la manguera y el tubo estén fijos en la hendidura de la manija.
- Presione el botón rojo de liberación de la manija. Deslice la manija hacia abajo hasta colocarla en el lugar de la máquina que le corresponde.
- Luego: desconecte, enrolle el cable de manera segura, guarde la máquina.
- Apague la máquina, desconéctela y colóquela en posición vertical antes de:
 - cambiar o usar accesorios
 - quitar la manguera o las piezas para inspeccionar el paso del aire.
- Utilice la manija del extractor de polvo para trasladar la máquina.
- El tubo se puede utilizar aun cuando se retira o se extiende la manija.
- Para quitar el tubo, abra la tapa de liberación del tubo.
- Tire el tubo hacia arriba, hacia el lado opuesto de la manija.
- Mientras se utilice la máquina, las herramientas deben estar conectadas a la manguera o al tubo.
- Para conectar las herramientas a la manguera, presione el botón rojo de liberación del collar de conexión y retire el tubo de la manguera.
- Para reacondicionar la máquina, quite las herramientas y coloque el tubo en la manguera hasta escuchar el chasquido del botón rojo cuando encaja en su lugar.
- Presione el botón rojo de la manguera. Inserte el tubo en la manguera.
- Asegúrese de que el tubo y la manguera estén fijos en la hendidura de la manija. La manguera debe estar contraída.
- Si la manija está extendida, sostenga el collar con el gancho para cables y deslícelo hacia abajo hasta colocarlo en la hendidura de la manija (se escuchará un chasquido cuando encaje en su lugar). Asegúrese de que, al mismo tiempo, la parte superior del tubo haga un chasquido al encajar en su lugar en la parte superior de la manija. Cierre la tapa del tubo.
- Presione el botón rojo de liberación de la manija y deslice la manija hacia abajo hasta insertarla en la máquina.
- Si la manija está en la posición de almacenamiento inferior, asegúrese de que el collar con el gancho para cables esté fijo en la hendidura de la manija. Deslice el tubo dentro de la manguera, de manera que la parte superior del tubo haga un chasquido cuando encaje en su lugar en la parte superior de la manguera.

ALFOMBRAS O PISOS

- El cepillo está siempre activo (girando) en modo predeterminado, cada vez que usted enciende la máquina y la reclina para efectuar la limpieza.
- El cepillo no gira si la máquina está en posición vertical.
- Para cambiar el cepillo a apagado (por ejemplo, para utilizar la máquina en tapetes o pisos delicados):
 - encienda la máquina

- recline la máquina
- presione el botón de encendido-apagado del cepillo, éste dejará de girar. El cepillo deja de funcionar automáticamente si se produce una obstrucción.
- Consulte “Cepillo: para eliminar obstrucciones”.
- Antes de aspirar sus pisos, tapetes y alfombras, consulte las instrucciones de limpieza que recomienda el fabricante.
- Algunas alfombras pueden soltar pelusas si se utiliza un cepillo giratorio para aspirarlas. Si esto sucede, se recomienda aspirarlas con el cepillo en posición apagado y consultar con el fabricante del piso.
- El cepillo de esta máquina puede dañar ciertos tipos de alfombras. Si desconfía, desactive el cepillo.
- Tenga en cuenta que el cepillo contiene fibras de carbono. Tenga cuidado si la piel entra en contacto con ellos, ya que pueden causar irritaciones leves. Lávese las manos después de manipular los cepillos.

CÓMO CUIDAR SU MÁQUINA DYSON

- No efectúe ningún mantenimiento o reparación distintos a los que se ilustran en este Manual de Funcionamiento Dyson, o que se le sugiera en la línea de ayuda de Dyson.
- Utilice únicamente las piezas que recomienda Dyson. De no hacerlo podría anular su garantía.
- Almacene la máquina en un espacio cerrado. No lo utilice si la temperatura es menor de 32° F. Compruebe que la máquina está a temperatura ambiente antes de ponerlo en funcionamiento.
- Limpie la máquina únicamente con un paño seco. No utilice ningún lubricante, agente de limpieza, pulidor o aromatizador en ninguna parte de la máquina.
- Si se utiliza en una cochera, limpie siempre la placa base, la esfera giratoria y las ruedas estabilizadoras con un paño seco luego de aspirar para limpiar arena, residuos o grava que puedan dañar pisos delicados.
- No utilice este aparato a la intemperie. El Kit de limpieza para el coche Dyson (Modelo 08909) sólo se puede utilizar dentro de una cochera.

PARA ASPIRAR

PRECAUCIONES

- No lo utilice si el compartimiento cubo transparente y los filtros no están colocados en su lugar.
- Sólo deben aspirarse cantidades pequeñas de polvo fino como por ejemplo residuos de yeso o harina.
- No utilice la máquina para recoger objetos duros cortantes, juguetes pequeños, alfileres, sujetapapeles, etc., ya que podrían dañar la máquina.
- Al aspirar, algunas alfombras se pueden generar pequeñas descargas de estática en el cubo transparente o en el tubo. Éstas son totalmente inofensivas y no están asociadas al suministro de corriente eléctrica.
- Para minimizar sus efectos, no coloque su mano ni introduzca ningún objeto en el cubo transparente, a menos que primero lo haya vaciado y lavado con agua fría.
- Si el aparato aspira a la máxima potencia, la manguera puede retraerse. Tenga mucho cuidado.
- No utilice la máquina por encima de usted en la escalera. Cuando limpie una escalera, se recomienda que la manija no esté extendida y que utilice una herramienta en el extremo de la manguera en lugar del tubo.
- No suba la máquina a sillas, mesas, etc.
- Antes de aspirar pisos con alto grado de pulido, como los de madera o linóleo, verifique primero que el lado inferior del accesorio para pisos y sus cepillos no tienen objetos extraños que puedan producir marcas.
- No deje el cabezal de la máquina en un solo lugar si está sobre pisos delicados.

CÓMO VACIAR EL CUBO TRANSPARENTE

- Vacíe el compartimiento cuando la basura llegue al nivel máximo. Evite sobrecargarlo.
- Apague y desconecte el aparato antes de vaciar el cubo transparente.
- Para quitar la unidad del extractor de polvo y el compartimiento cubo transparente, presione el botón rojo que se encuentra en la parte superior de la manija del extractor de polvo.
- Para retirar la suciedad, presione completamente hasta abajo el mismo botón rojo que se encuentra en la parte superior de la manija del extractor de polvo.
- Para minimizar el contacto con polvo/alérgenos al efectuar el vaciado, introduzca el cubo transparente en una bolsa de plástico y vacíe el contenido.
- Quite cuidadosamente el compartimiento cubo transparente de la bolsa.
- Selle perfectamente la bolsa, elimínela como acostumbra hacerlo.
- Para reajustar:
 - (asegúrese de que el conducto de aire de la base del cubo esté libre de polvo y suciedad).
 - cierre la base del cubo transparente hasta que escuche un chasquido cuando se ajuste en su lugar
 - empuje la unidad de extractor de polvo y cubo transparente en el cuerpo principal del aparato; se escuchará un chasquido cuando se asiente en su lugar
 - compruebe que la unidad de extractor de polvo y cubo transparente esté bien fija.

CÓMO LIMPIAR EL CUBO TRANSPARENTE

- Quite el extractor de polvo y el cubo transparente (conforme a las instrucciones que anteceden).
- Si desea separar la unidad del extractor de polvo del compartimiento cubo transparente, presione el botón rojo para abrir la base del cubo transparente. Esto revela un botón plateado pequeño situado detrás del mecanismo rojo de apertura. Presione el botón plateado (sobre su parte acanalada) y desprend la unidad del extractor de polvo del compartimiento cubo transparente.
- Lave el compartimiento cubo transparente únicamente con agua fría. Asegúrese de que el compartimiento esté totalmente seco antes de colocarlo.
- No utilice detergente, líquido para encerar ni desodorante de ambientes para limpiar el compartimiento.
- No limpie el compartimiento en un lavavajillas.
- No sumerja totalmente el extractor de polvo en agua ni ponga agua dentro de éste.
- Limpie la rejilla con un paño seco o un cepillo seco para eliminar la pelusa y el polvo.

- Para reajustar:
 - ajuste la tapa del extractor de polvo en el cubo transparente, de manera que el botón plateado emita un chasquido al acoplarse
 - cierre la base del cubo transparente hasta que escuche un chasquido cuando se ajuste en su lugar
 - empuje la unidad de extractor de polvo y cubo transparente en el cuerpo principal de la máquina; se escuchará un chasquido cuando se asiente en su lugar
 - compruebe que la unidad de extractor de polvo y cubo transparente esté bien fija.

CÓMO LAVAR LOS FILTROS

- Esta máquina tiene dos filtros, ubicados como se muestra en las ilustraciones.
- Revise y lave los filtros una vez por mes para mantener el rendimiento.
- Apague la máquina y desconéctelo antes de quitar los filtros.
- Si se aspira polvo fino, será necesario lavar los filtros con mayor frecuencia.
- Lave únicamente con agua fría. No utilice detergentes.
- No coloque los filtros en el lavavajillas, el lavarropas, la secadora, el horno, el microondas o cerca del fuego.
- Filtro A
 - Quite el extractor de polvo y el compartimiento cubo transparente (según las instrucciones detalladas anteriormente).
 - Libere el tubo en la parte frontal de la manija del extractor de polvo. Gire la manija.
 - Levante el filtro para extraerlo.
 - Lave el filtro únicamente con agua fría. Sosténgalo debajo de una toma de agua y deje correr el agua a través de la abertura hasta que el agua fluya limpia. Voltéelo y golpéelo suavemente para que escurra.
 - Exprima y retuerza con ambas manos para asegurarse de eliminar el exceso de agua.
 - Deje correr el agua sobre el exterior del filtro hasta que fluya limpia.
 - Exprima y retuerza con ambas manos para asegurarse de eliminar el exceso de agua.
 - Apoye el filtro sobre su abertura ancha para que se seque. Déjelo secar completamente durante 24 horas como mínimo.
- Vuelva a colocar el filtro en el extractor de polvo. Gire la manija para volver a colocarla en su lugar. Asegúrese de que el pasador haga un chasquido cuando se conecte y de que esté bien ajustado. Ajuste la unidad del compartimiento cubo transparente y el extractor de polvo en la máquina (según las instrucciones detalladas anteriormente).
- Filtro B
 - Recueste la máquina sobre un costado.
 - Para extraer el filtro B:
 - gire el disco central de bloqueo azul en la tapa exterior de la esfera giratoria en el sentido opuesto a las manecillas del reloj hasta que la tapa quede suelta.
 - desprend a cubierta
 - gire el filtro un cuarto de vuelta en sentido opuesto a las manecillas del reloj para liberarlo.
 - Lave el filtro únicamente con agua fría.
 - Lave el filtro B y golpéelo suavemente hasta que fluya agua limpia, después vuelva a golpearlo levemente para comprobar que se haya eliminado todo exceso de agua. (Golpee levemente el aro de plástico, no el material del filtro). Déjelo secar completamente durante 24 horas como mínimo.
 - Es normal que el filtro que se encuentra en la parte inferior se vuelva de color gris.
- Para reajustar el filtro B:
 - reajuste el filtro en la esfera giratoria
 - para ajustar el filtro, gírelo en el sentido de las manecillas del reloj, de modo que se alineen las flechas blancas.
- Cuando reajuste la cubierta exterior de la esfera giratoria, siga girando el selector central de bloqueo en el sentido de las manecillas del reloj. Cuando comience a emitir chasquidos, quedará bloqueada.
- Para ver un breve video en línea, visite: www.dyson.com/dc50filterwash

PARA ELIMINAR BLOQUEOS: SISTEMA DE DESCONEXIÓN TÉRMICA

- Esta máquina posee un sistema de desconexión térmica.
- Los objetos grandes pueden obstruir los accesorios o la entrada del tubo. Si se produce una obstrucción en cualquier parte, el máquina se puede sobrecalentar y desconectarse automáticamente.
- Si esto sucede, siga las instrucciones que se detallan a continuación en “Cómo buscar obstrucciones”.

CÓMO BUSCAR OBSTRUCCIONES

- Apague y desconecte antes de buscar obstrucciones. Si no lo hace, podría sufrir lesiones.
- Permita que se enfríe antes de inspeccionar los filtros en busca de obstrucciones.
- Elimine cualquier obstrucción antes de reiniciar el funcionamiento.
- Busque obstrucciones en el tubo, los conductos de aire y el cabezal de la aspiradora.
- Para desconectar la manguera de la máquina, deberá quitar el tubo.
- Abra la tapa de liberación del tubo.
- Tire el tubo hacia arriba, hacia el lado opuesto de la manija.
- Presione el botón rojo de liberación del collar de conexión y retire el tubo de la manguera.
- Desconecte la manguera de la máquina. Para hacerlo, presione la lengüeta roja de la manguera (se puede ver en la parte frontal de la máquina).
- Revise la manguera en busca de obstrucciones.
- TENGA CUIDADO CON LOS OBJETOS FILOSOS CUANDO REVISE EN BUSCA DE OBSTRUCCIONES.**
- Para volver a colocar la manguera, alinee las guías de la base de la manguera con los canales del cuello del conducto de aire. Asegúrese de que la lengüeta roja esté orientada hacia la parte frontal de la máquina. Empuje la manguera hacia adentro. Se escuchará un chasquido cuando encaje en su lugar. Para volver a colocar el tubo, siga las instrucciones detalladas anteriormente en la sección Funcionamiento.

- Para quitar la placa base y poder tener acceso a la obstrucción, consulte “Placa base – desmontaje/reinstalación”.
- Para revisar el conducto de aire frontal que se encuentra entre la esfera giratoria y el cabezal de la aspiradora en busca de obstrucciones, deberá quitar el cabezal de la aspiradora; para saber cómo hacerlo, consulte la sección “Placa base: armado y desarmado” que se encuentra a continuación.
- Para revisar el conducto de aire trasero que se encuentra entre la esfera giratoria y el cabezal de la aspiradora en busca de obstrucciones, deberá liberar la conexión elastizada que se encuentra en la parte posterior. Tire hacia usted el conector plástico para desconectarlo del conducto de aire superior. Para volver a colocarlo, tire apenas de él en sentido horizontal, de manera que se alinee con el conducto de aire superior. Suéltelo con cuidado, de manera que se vuelva a disponer en su lugar.
- Reinstale todas las partes correctamente antes de utilizarlo.
- Su garantía limitada no cubre la eliminación de obstrucciones.

CEPILLO: PARA ELIMINAR OBSTRUCCIONES

- Si la se obstruye el cepillo, se puede apagar. Si esto ocurre, necesitará eliminar el bloqueo.
- Apague y desconecte antes de proceder. Si no lo hace, podría sufrir lesiones.
- Tenga en cuenta que el cepillo contiene fibras de carbono. Tenga cuidado si la piel entra en contacto con ellos, ya que pueden causar irritaciones leves. Lávese las manos después de manipular los cepillos.
- Tenga cuidado con los objetos filosos cuando elimine las obstrucciones.
- Si no puede liberar la obstrucción, siga las instrucciones que se indican a continuación para quitar la placa base. Esto permitirá mayor acceso a la obstrucción. De forma alternativa, contacte a un experto de Dyson en la Línea Directa de Asistencia al Cliente de Dyson o visite el sitio web. La limpieza de obstrucciones del cepillo no tiene cobertura de garantía.

PLACA BASE – DESMONTAJE/REINSTALACIÓN

- Apague y desconecte antes de proceder. Si no lo hace, podría sufrir lesiones.
- Recueste la máquina sobre su parte delantera.
- Hay un pasador rojo en la conexión que existe entre la esfera giratoria y el cabezal de la aspiradora. Deslícelo hacia la esfera giratoria y sostenga la máquina mientras lo hace.
- Extraiga el cabezal de la aspiradora de la máquina. Ejerza una presión constante y firme.
- Hay dos palancas rojas en cada extremo del cabezal de la aspiradora:
 - gire las palancas hacia arriba y hacia afuera hacia el extremo del cabezal de la aspiradora, hasta que se escuche un chasquido cuando encajen en su lugar
 - mantenga abierta la placa base.
- Tenga cuidado con los objetos filosos cuando elimine las obstrucciones.
- Para volver a colocar la placa base, ciérrela.
- Para fijar la placa base, gire nuevamente las dos palancas hasta su posición, de manera que queden alineadas con la superficie del cabezal de la aspiradora.
- Recueste la máquina sobre su parte trasera.
- Ajuste el cabezal de la aspiradora a las conexiones que se encuentran debajo de la parte frontal de la esfera giratoria. Deslice el cabezal de la aspiradora hacia arriba hasta introducirlo en cualquiera de los canales que se encuentran en los laterales del conducto de aire. Empuje con fuerza: se escuchará un chasquido cuando el cabezal de la aspiradora encaje en su lugar y se conectará el pasador rojo.

REPARACIÓN DE AVERÍAS DE LA BARRA DE CEPILLO

- Si el cepillo ha dejado de girar, siga las instrucciones anteriores para eliminar obstrucciones. Alternativamente, comuníquese con un experto de Dyson a la línea de ayuda de Dyson o visite el sitio web.
- Para ayuda adicional en línea visite: www.dyson.com/DC50brushbarmaintenance

SERVICIO DE ATENCIÓN AL CLIENTE DYSON

GRACIAS POR ELEGIR COMPRAR UNA MÁQUINA DYSON
Si tiene alguna duda acerca de la máquina Dyson, llame a la línea de ayuda de Dysonal con el número de serie e información de cuándo y dónde compró el producto.
Si tiene más preguntas, puede consultar por teléfono a algún miembro de la línea de ayuda.

Si su máquina Dyson necesita reparación llame a la Línea de ayuda de Dyson para poder analizar las opciones disponibles. Si su máquina tiene garantía y la reparación necesaria está incluida dentro de esa garantía, se reparará sin costo alguno.

Encontrará el número de serie en la placa de datos de calificación que se encuentra en la máquina detrás del cubo transparente.

POR FAVOR REGÍSTRESE COMO PROPIETARIO DE UNA MÁQUINA DYSON

Para ayudarnos a asegurarle que reciba un servicio rápido y eficaz, por favor regístrese como propietario de la máquina Dyson. Hay dos maneras de hacerlo: En línea en www.dyson.com

- Llamando por teléfono a la Línea de ayuda de Dyson, 1-866-277-4649.
 - Enviando por correo el formulario de garantía que se anexa, dirigido a nuestra dirección.
- Esto confirmará que la máquina Dyson es de su propiedad en caso de que ocurra una pérdida cubierta por el seguro, y nos permitirá contactarle si fue necesario.

5 AÑOS DE GARANTÍA

TÉRMINOS Y CONDICIONES DE LA GARANTÍA LIMITADA DE 5 AÑOS DE DYSON.

QUÉ ESTÁ CUBIERTO

Su máquina Dyson está garantizado contra defectos originales de material o mano de obra por un período de 5 años a partir de la fecha de compra, cuando se utilice para fines domésticos privados y de acuerdo con el Manual de Instrucciones de Dyson. Esta garantía proporciona, sin costo para usted, toda la mano de obra y piezas para poner su máquina en perfectas condiciones de funcionamiento durante el plazo de garantía. Esta garantía está sujeta a los siguientes términos:

QUÉ NO ESTÁ CUBIERTO

Dyson, Inc. no será responsable de los costos incurridos como resultado de:

- Máquinas comprados a proveedores no autorizados.
- El funcionamiento o manejo descuidado, uso indebido y/o falta de mantenimiento o el uso de forma contraria al Manual de Instrucciones de Dyson.
- El uso de la máquina contrario a los usos domésticos normales dentro de los Estados Unidos de América, por ejemplo, para el uso comercial o alquiler.
- El uso de piezas que no estén contempladas en el Manual de Instrucciones de Dyson.
- El uso de piezas y accesorios que no sean los producidos o recomendados por Dyson, Inc.
- Factores externos, como por ejemplo el clima.
- Reparaciones o alteraciones llevadas a cabo por partes o agentes no autorizados.
- Para eliminar las obstrucciones en su máquina.
- Uso y desgaste normal, incluido desgaste normal de partes como cubo transparente banda, filtro, cepillo, ensamble de la manguera, y cable de corriente (o donde se diagnostique daño o abuso externo), daño a la alfombra o piso debido al uso no de acuerdo con las instrucciones del fabricante dado al caso de no apagar el cepillo cuando es necesario.

SERVICIO DE GARANTÍA

- Por favor complete y devuelva el Formulario de registro del producto, o regístrese en línea en www.dyson.com
- Antes de poder realizar el servicio, los términos de la garantía exigen que se ponga en contacto con la Línea Directa de Asistencia al Cliente de Dyson y que proporcione el nombre/número del modelo, número de serie, y la fecha y sitio de compra.
- Por favor mantenga la factura de compra en un sitio seguro para asegurarse de tener esta información.
- Todo el trabajo lo llevará a cabo Dyson, Inc. o sus agentes autorizados.
- El cambio de cualquier pieza defectuosa no extenderá el período de la misma.
- El servicio según esta garantía no extenderá el período de esta garantía.
- Si su máquina Dyson no funciona correctamente, por favor llame a la Línea Directa de Asistencia al Cliente de Dyson. La mayoría de los problemas pueden solucionarse por teléfono a través de nuestro personal capacitado en atención al cliente. Si esto no es posible, Dyson, Inc. hará que se repare y se le devuelva su máquina Dyson en perfectas condiciones sin costo adicional para usted.

LIMITACIONES Y EXCLUSIONES DE LA GARANTÍA

- Cualquier garantía implícita relacionada con su máquina, incluyendo pero sin limitarse a una garantía de comerciabilidad o garantía de idoneidad para un propósito en particular, se limita a la duración de esta garantía. Esta limitación no está permitida por algunos estados, por lo que esta limitación puede no aplicarse a usted.
- El recurso por el incumplimiento de esta garantía se limita al servicio de garantía descrito anteriormente. Dyson, Inc. no será responsable de ningún daño consecuente o incidental en el que se pueda incurrir en conexión con la compra y uso de su máquina. Esta limitación no está permitida por algunos estados, por lo que esta limitación puede no aplicarse a usted.
- Esta garantía le otorga derechos legales específicos.
- Esta garantía limitada no es transferible.

INFORMACIÓN IMPORTANTE PARA LA PROTECCIÓN DE DATOS

Sus detalles serán retenidos por Dyson, Inc. u otros en nombre de Dyson, Inc. de manera que nuestro departamento de Servicio al cliente pueda brindarle asistencia con mayor rapidez. Dyson, Inc. podrá enviarle periódicamente ofertas especiales y noticias relacionadas con nuestras más recientes innovaciones. Marque la casilla que se encuentra en el Formulario de la garantía que se incluye en el Manual de Instrucciones de Dyson si usted no desea recibir información comercial o promocional de Dyson, Inc. Para obtener más información acerca de nuestras prácticas de recopilación de datos, consulte la política de privacidad de Dyson, Inc. en www.dyson.com/privacy

INFORMACIÓN DE ELIMINACIÓN DE RESIDUOS

Los productos Dyson están hechos a partir de materiales reciclables de alta calidad. Reciclelo siempre que sea posible.

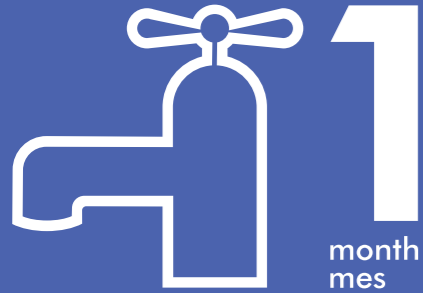
INFORMACIÓN ACERCA DEL PRODUCTO

Recuerde: El producto puede diferir en algunos pequeños detalles en comparación con las ilustraciones.

IMPORTANT!

WASH FILTERS

Wash filters with cold water at least every month. The filters may require more frequent washing if vacuuming fine dust.



¡IMPORTANTE!

LAVADO DE LOS FILTROS

Lave los filtros con agua fría al menos cada mes. Si se aspira polvo fino, será necesario lavar el filtro con mayor frecuencia.



Dyson Customer Care

If you have a question about your Dyson appliance, call the Dyson Helpline with your serial number and details of where and when you bought the appliance.

Servicio de atención al cliente Dyson

Si tiene alguna duda acerca de su aparato Dyson, llame a la línea de ayuda de Dysonal con el número de serie e información de cuándo y dónde compró el producto.

DYSON CONTACT DETAILS

Website: www.dyson.com
 Dyson Helpline: 1-866-277-4649
 (Mon-Fri 7am to 9pm CST; Sat-Sun 9am to 6pm CST).
 Servicio de atención al cliente Dyson:
 1-866-277-4649 (lunes a viernes de 7am - 9pm;
 sábados a domingos de 9am - 6pm).



WARRANTY FORM CONTINUED

CONTINUACIÓN DEL FORMULARIO DE GARANTÍA

Please take a few moments to answer our questions. They will help us develop new products for the future.

Tómese unos instantes para responder a nuestras preguntas. Esto nos ayudará a desarrollar nuevos productos en el futuro.

- What is the purpose of your Dyson purchase?
 - My first Dyson purchase
 - A further Dyson purchase - I have previously owned other Dyson machines
 - A replacement vacuum
- Have you ever recommended Dyson machines to other people?
 - Sometimes
 - Never
- Why did you decide to buy a Dyson vacuum?
 - Cleaning performance
 - Advanced Technology / Features
 - Style / Design
 - Warranty
 - Recommendation
 - Promotion
 - No loss of suction
- What type of machine did you previously own?
 - Upright vacuum
 - Canister vacuum
 - Cordless/handheld vacuum
 - None of the above
- Where did you buy your Dyson vacuum?

<input type="checkbox"/> Bed, Bath & Beyond	<input type="checkbox"/> Mail order catalog
<input type="checkbox"/> Best Buy	<input type="checkbox"/> Received as a gift
<input type="checkbox"/> Costco	<input type="checkbox"/> Sam's Club
<input type="checkbox"/> Home Depot	<input type="checkbox"/> Sears
<input type="checkbox"/> Internet	<input type="checkbox"/> Target
<input type="checkbox"/> Kohl's	<input type="checkbox"/> TV shopping network
<input type="checkbox"/> Lowes	<input type="checkbox"/> Wal-Mart
<input type="checkbox"/> Macy's	<input type="checkbox"/> Other
- Where did you first hear of Dyson vacuums?

<input type="checkbox"/> TV/radio	<input type="checkbox"/> Other newspaper/magazine
<input type="checkbox"/> Friends/family	<input type="checkbox"/> Dyson Email
<input type="checkbox"/> Website	<input type="checkbox"/> Dyson Event
<input type="checkbox"/> In-store	<input type="checkbox"/> Don't remember
<input type="checkbox"/> Consumer magazine	<input type="checkbox"/> Other

- ¿Cuál es el motivo de su compra de un producto Dyson?
 - Es mi primera compra de productos Dyson
 - Compré anteriormente un producto Dyson - Tuve antes otras máquinas Dyson
 - Una aspiradora de repuesto
- ¿Alguna vez ha recomendado máquinas Dyson a otras personas?
 - A veces
 - Nunca
- ¿Por qué decidió comprar una aspiradora Dyson?
 - Capacidad de limpieza
 - Tecnología avanzada / Funciones
 - Estilo / Diseño
 - Garantía
 - Recomendación
 - Promoción
 - No pierde succión
- ¿Qué tipo de máquina tuvo antes?
 - Aspiradora vertical
 - Aspiradora tipo canasta
 - Aspiradora portátil inalámbrica
 - Ninguna de las anteriores
- ¿Dónde compró su aspiradora Dyson?

<input type="checkbox"/> Bed, Bath & Beyond	<input type="checkbox"/> Fue un regalo
<input type="checkbox"/> Best Buy	<input type="checkbox"/> Sam's Club
<input type="checkbox"/> Costco	<input type="checkbox"/> Sears
<input type="checkbox"/> Home Depot	<input type="checkbox"/> Target
<input type="checkbox"/> Internet	<input type="checkbox"/> Red de compras de TV
<input type="checkbox"/> Kohl's	<input type="checkbox"/> Wal-Mart
<input type="checkbox"/> Lowes	<input type="checkbox"/> Otro
<input type="checkbox"/> Macy's	
<input type="checkbox"/> Catálogo de pedidos por correo	
- ¿Dónde escuchó por primera vez sobre las aspiradoras Dyson?

<input type="checkbox"/> TV/radio	<input type="checkbox"/> Correo electrónico de Dyson
<input type="checkbox"/> Amigos/familia	<input type="checkbox"/> Evento de Dyson
<input type="checkbox"/> Sitio web	<input type="checkbox"/> No me acuerdo
<input type="checkbox"/> En una tienda	<input type="checkbox"/> Otro
<input type="checkbox"/> En una revista de productos	
<input type="checkbox"/> En otra revista/periódico	

THANK YOU FOR YOUR TIME • GRACIAS POR DEDICARNOS SU TIEMPO



Date of purchase | Fecha de compra / /

Serial number | Número de série

Title | Tratamiento

Last name | Apellido

First name | Apellido

Address | Dirección

Zip Code | Código postal

email | email

Telephone | Teléfono

From time to time, we'd like to tell you about new Dyson technology and services or get your opinion about your purchase. If you'd prefer us NOT to keep in touch, please tick this box.

De vez en cuando, queremos decirle acerca de la nueva tecnología de Dyson y servicios o conseguir su opinión acerca de su compra. Marque esta casilla si prefiere que NO mantengamos contacto con usted.


3 EASY WAYS TO REGISTER | 3 MANERAS FÁCILES DE REGISTRARSE

ONLINE
Convenient and instant.
www.dyson.com/register



EN LÍNEA
Conveniente y al instante.
www.dyson.com/register

PHONE
Dyson Helpline:
1-866-277-4649
(Mon-Fri 7am to 9pm CST;
Sat-Sun 9am to 6pm CST).



POR TELÉFONO
Servicio de atención al cliente Dyson:
1-866-277-4649
(lunes a viernes de 7am - 9pm;
sábados a domingos de 9am - 6pm).

MAIL
Complete and return the form in the envelope supplied.



POR CORREO
Complete este formulario y envíelo.

