

User's Manual

Thank you for purchasing our 2.4GHz Universal Wireless Music Kit.

Read carefully and follow all instructions in this User's Manual before you use the 2.4GHz Universal Wireless Music Kit. Keep this User's Manual in a convenient location for future reference.

Safety Instructions

This product is specially designed based on the full attention to safety; in order to make sure the accident-free operation, please abide the guidelines listed below:

- Always position the unit on a stable and level surface. Unstable surface can cause the unit to topple and fall, resulting in possible damage or injury.
- Do not drop, unpack, open, beat, curve, prink and burn the unit.
- Avoid using the unit nearby basins or sinks where it may come in contact with water.
- Do not place any ware with full water on the top of the unit, such as vase, glass, pot, and please avoid placing candle on the speaker surface as well.
- Protect the using of the unit from any overheating devices (such as radiator, heating installation, cooking stove or other heating devices)
- Regardless of what reasons cause the unit damage, please ask for the maintenance personnel to repair
- If you want to do the cleaning, please turn off the unit and unplug the power cable from the outlet first.
- Set the volume properly to prevent injury to the unit and your health.



Correct Disposal of this product. This marking indicates that this product should not be disposed with other household wastes throughout the EU. To prevent possible harm to the environment or human health from uncontrolled waste disposal, recycle it responsibly to promote the sustainable reuse of material resources. To return your used device, please use the return and collection systems or contact the retailer where the product was purchased. They can take this product for environmental safe recycling.

WARNING:

- The battery (battery or batteries or battery pack) shall not be exposed to excessive heat such as sunshine, fire or the like.
- No naked flame sources, such as lighted candles, should be placed on the apparatus.
- CAUTION: Danger of explosion if battery is incorrectly replaced. Replace only with the same or equivalent type.

Package Contents

1. 2.4GHz wireless speaker main unit x 1
2. Universal transmitter x 1
3. 3.5mm to 3.5mm aux cable x 1
4. USB cable for charge and data x 1
5. Power adapter x 1
6. User's manual x 1

Fit Models

- Work with iPhone, iPad, Music phone, PC, MP3, PSP and any device with standard 3.5mm earphone jack via the included aux cable for connecting.

Outstanding Features

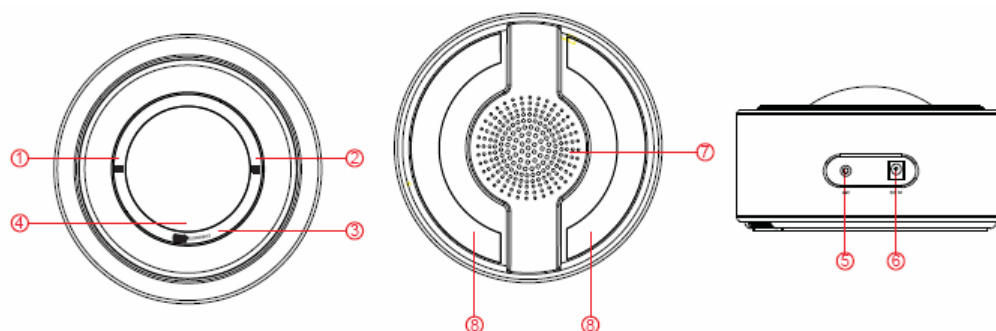
2.4GHz Universal Wireless Music Kit includes: 2.4GHz wireless speaker + Universal transmitter.

This unit is specially designed to apply to any device wirelessly with standard 3.5mm earphone jack, for instance, iPhone, iPad, Music phone, PC...etc. Additionally, you can also use the included aux cable directly for music play.

- 2.4GHz wireless speaker
 - (1) 2.4GHz wireless technology, working range upto 50 meters (w/o block)
 - (2) 2.1 CH technology, make depth and clarity sound
 - (3) AUX IN, compatible with any device has standard 3.5mm earphone jack
 - (4) Built in rechargeable battery for portable usage
 - (5) LED indicator
- Universal transmitter
 - (1) Work with any music player with universal earphone jack
 - (2) Flexible antenna to enhance the wireless working range
 - (3) Send the audio signal from music device wirelessly
 - (4) LED indicator

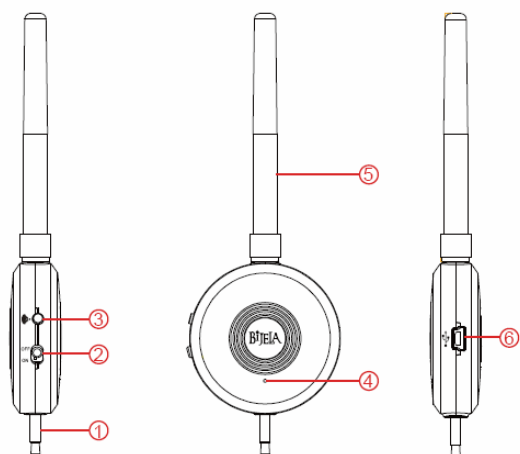
Part Names

2.4GHz wireless speaker



1. Volume -
2. Volume +
3. Power button/Connect button
4. LED link indicator
5. AUX IN
6. DC IN
7. Bass vent
8. Anti-slip pad

Universal transmitter



1. 3.5mm earphone jack
2. On/off switch
3. Connect button
4. LED link indicator
5. Flexible antenna
6. USB port for data and charge

Basic Operation

Connecting power adaptor & charge

- 2.4GHz wireless speaker: Plug the supplied 5V 2A power adapter into the wall outlet, and connect the DC end into the DC IN socket on the speaker. After that, DC power source can charge the speaker right away.
- Universal transmitter: Plug the USB cable into the power supply device (for instance, PC, USB output device), and connect the other end into the USB socket on the transmitter. Power supply device can charge the transmitter right away.

Power on/power off

- 2.4GHz wireless speaker: Press the power button to power on the speaker. Press the power button again to power off the speaker.
- Universal transmitter: Move the "ON/OFF" switch to "ON" position to power on the transmitter, then move the "ON/OFF" switch to "OFF" position to power off the transmitter.

How to play

- Play the music wirelessly
 - Play the audio signal from iPad/iPhone/iPod, Music phone, PC...etc. Take phone for example:
 - (1) Insert the 3.5mm earphone jack of universal transmitter to your phone.
 - (2) Power on the universal transmitter.
 - (3) Power on the speaker, the blue LED indicator will blink slowly.
 - (4) Hold the connect button on the speaker for 3 seconds until an intermittent "toot" comes out and the blue LED blinks fast.
 - (5) Press the connect button on the universal transmitter, a long "toot" sound will come out from the speaker, and the blue indicator(on the speaker) and red indicator(on the transmitter) get to flash steadily. It shows the universal transmitter and the wireless speaker has paired each other successfully.
 - (6) Enter in your phone audio play menu, choose your favorite music to play.
 - (7) After the first successful pair, the universal transmitter and the wireless speaker can auto-pair each other if there is no change for each of them.

Tips: you can adjust the flexible antenna angle freely for convenient use and to enhance the wireless working range as well.

- Set your Windows PC and Mac as a wireless transmitter:
 - (1) Connect the universal transmitter to your Windows PC or Mac USB port via USB cable.
 - (2) Follow the above steps from (2) to (5) to pair the universal transmitter and the wireless speaker successfully.
 - (3) Now you can enjoy the wireless music on your Windows PC and Mac.
- Play the music directly
 - (1) Power on the wireless speaker.
 - (2) Plug one end of the supplied aux cable to the "AUX IN" port on the speaker, and then plug the other end of the cable to audio device.
 - (3) Choose your favorite music in the audio device to play.

Adjusting the volume

Press volume + / volume - on the speaker to adjust the volume. Or adjust the volume on your iPad/iPhone/iPod/Mp3 player/phone...,etc.

Technical parameters

Note: All specifications are subject to change without notice.

Product Name: 2.4GHz Universal Wireless Music Kit

Model Name: HL2608

Power supply: DC 5V 2A

Maintenance

Please follow the below instructions before clear the unit.

- Unplug the power cable first before clear.
- Use a soft, dry, lint-free cloth to wipe gently.
- Do not use alcohol, benzene, thinners or other chemical detergents as these can cause the casing to be warped or discolored.

Storage

- If the unit will not be used for an extended period of time, unplug the power cord and place the unit with accessories into the package.
- Do not set the unit in a damp, high temperature or the sun point-blank place.

Troubleshooting

Question: It is failed to charge your speaker well?

Solution:

- (1) Check the connection of power cable.
- (2) Make sure the terminal power supply does not power cut.

Question: It is failed to charge the universal transmitter well?

Solution:

- (1) Check the connection of USB cable.
- (2) Make sure the terminal power supply (PC, Mac) has power.

Question: The universal transmitter can't connect the wireless speaker well?

Solution:

- (1) Ensure all components are connected properly.
- (2) Check the connection of power cable, and ensure the music kit is powered on.
- (3) Check if the universal transmitter and the speaker is in low battery, if the battery is low, please charge right away.
- (4) Please follow "play the music wirelessly" steps from (1) to (5) to pair.
- (5) Adjust the antenna angle to enhance the wireless working range.
- (6) Check the distance is no more than 50 meters between the universal transmitter and the speaker.
- (7) Make sure there is no obstacle between the dock and the speaker.
- (8) Make sure the volume is not adjusted to the lowest.

Question: My unit has no sound when play?

Solution:

- (1) Check the connection of power cable, and ensure the music kit is powered on.
- (2) Make sure the universal transmitter and the speaker is paired each other well.
- (3) Check the distance is no more than 50 meters between the universal transmitter and the speaker.
- (4) Make sure the volume is not adjusted to the lowest.
- (5) Check the play/pause status on your iPad/iPhone/iPod,MP3 player, phone...,etc.

FCC STATEMENT

FCC ID: BTO-HL2608

1. This device complies with Part 15 of the FCC Rules. Operation is subject to the following two conditions:

- (1) This device may not cause harmful interference.
- (2) This device must accept any interference received, including interference that may cause undesired operation.

2. Changes or modifications not expressly approved by the party responsible for compliance could void the user's authority to operate the equipment.

NOTE: This equipment has been tested and found to comply with the limits for a Class B digital device, pursuant to Part 15 of the FCC Rules. These limits are designed to provide reasonable protection against harmful interference in a residential installation. This equipment generates uses and can radiate radio frequency energy and, if not installed and used in accordance with the instructions, may cause harmful interference to radio communications. However, there is no guarantee that interference will not occur in a particular installation. If this equipment does cause harmful interference to radio or television reception, which can be determined by turning the equipment off and on, the user is encouraged to try to correct the interference by one or more of the following measures:

- Reorient or relocate the receiving antenna.
- Increase the separation between the equipment and receiver.
- Connect the equipment into an outlet on a circuit different from that to which the receiver is connected.
- Consult the dealer or an experienced radio/TV technician for help.

RF warning statement:

The device has been evaluated to meet general RF exposure requirement. The device can be used in portable exposure condition without restriction.

BIJELA

www.bijela.com.cn

E-core (Hubei) technology co., LTD.

Phone: 0711-2383866

Fax: 0711-2383899

Address:

Made in China