

User's Manual

Thank you for purchasing our Magic SoundBox Bluetooth speaker

Read carefully and follow all instructions in this User's Manual before you use the Magic SoundBox speaker. Keep this User's Manual in a convenient location for future reference

Safety Instructions

This product is specially designed based on the full attention to safety; in order to make sure the accident-free operation, please abide the guidelines listed below:

- Always position the unit on a stable and level surface. Unstable surface can cause the unit to topple and fall, resulting in possible damage or injury
- Do not drop, unpack, open, beat, curve, prick and burn the unit
- Avoid using the unit nearby basins or sinks where it may come in contact with water
- Do not place any ware with full water on the top of the unit, such as vase, glass, pot, and please avoid placing candle on the speaker surface as well
- Protect the using of the unit from any overheating devices (such as radiator, heating installation, cooking stove or other heating devices)
- Regardless of what reasons cause the unit damage, please ask for the maintenance personnel to repair
- If you want to do the cleaning, please turn off the unit and unplug the power cable from the outlet first
- Set the volume properly to prevent injury to the unit and your health



Correct Disposal of this product. This marking indicates that this product should not be disposed with other household wastes throughout the EU. To prevent possible harm to the environment or human health from uncontrolled waste disposal, recycle it responsibly to promote the sustainable reuse of material resources. To return your used device, please use the return and collection systems or contact the retailer where the product was purchased. They can take this product for environmental safe recycling.

WARNING:

- The battery (battery or batteries or battery pack) shall not be exposed to excessive heat such as sunshine, fire or the like.
- No naked flame sources, such as lighted candles, should be placed on the apparatus.
- CAUTION: Danger of explosion if battery is incorrectly replaced. Replace only with the same or equivalent type.

Package Contents

1. Magic SoundBox Bluetooth speaker main unit x 1
2. USB charging cable x 1 (shielded, with two ferrite core, with Length of 1m)
3. Aux cable x 1 (unshielded, with Length of 1.75m)
4. User's manual x 1

Fit Models

- Apply to : all iPhone and iPad series, Smartphones, Laptop, Tablets and other Bluetooth devices
- Work with any device with standard 3.5mm earphone jack via the included Aux cable for connecting, such as MP3,PSP, Mobile phone...,etc

Outstanding Features

Magic SoundBox speaker is compatible with all wireless Bluetooth devices such as iPad, iPhone, Smartphones, Laptops, Tablets and other Bluetooth devices. It is portable, wireless, hands-free. Just place it anywhere in a room and enjoy pristine streaming audio from your phone, computer, or other Bluetooth devices. Bring music, movies, and all your mobile audio vibrantly to life--all in the palm of your hand

- Go Anywhere and Go Wireless

Easily compatible with iPhone, iPad, mobile phones, computers, tablets, or any other Bluetooth-enabled device

Wireless working range is up to 8-12 meters, no cords, no hassle

- Calling and Conference on the Go

With a powerful, built-in microphone, it can frees you to share clean-sounding conference calls or personal calling anywhere--in the office, car, at home, alone, or with a group

- Good sound system, enjoy your life

Special speaker drive unit with woofer, amp up your Music, Movies, Games to let you experience the richest sound

Built-in rechargeable battery, up to 6 hours of continuous play

- Crafted outlook and function design

Pretty lozenge metal mesh and good hand-feeling rubber casing, showing the high quality and taste

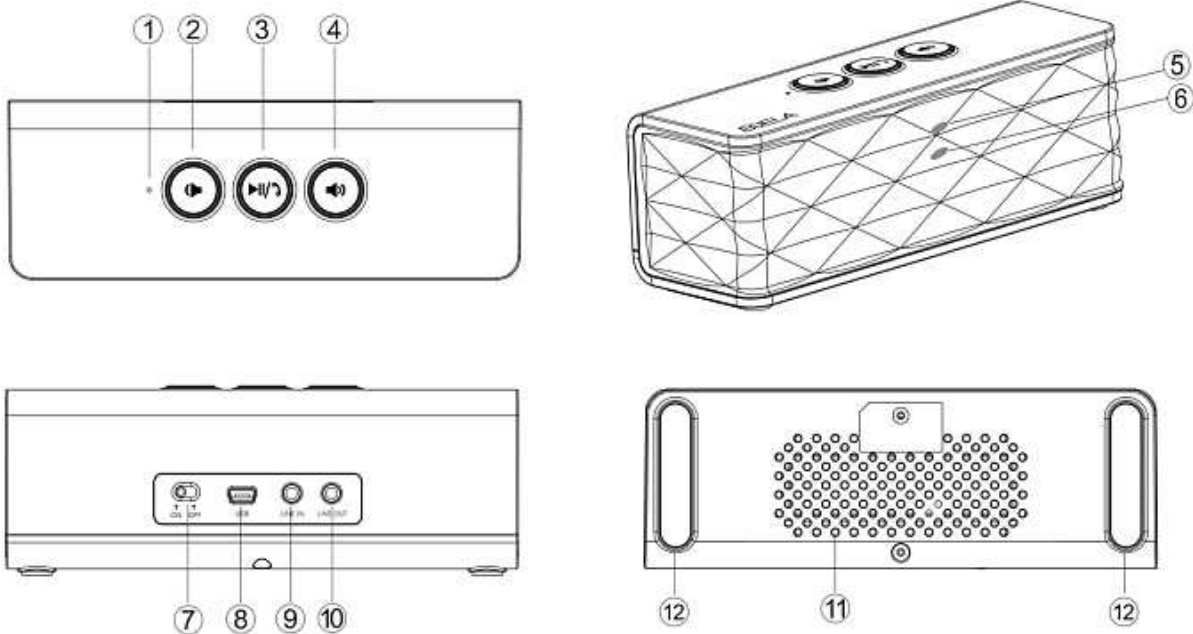
LINE IN, almost work with any player

LINE OUT, turn the speaker into a Bluetooth receiver to work with more powerful music play system

Sleep mode to save the battery for long time play

Part Names

Main unit



1. Microphone
2. Volume -
3. Multi-function button (play/pause button & answer key)
4. Volume +
5. Bluetooth indicator
6. Charging indicator
7. ON/OFF switch
8. USB charging port
9. Line in
10. Line out
11. Bass vent
12. Anti-slip pad

Basic Operation

● **Power on/power off**

1. Power on the unit: Slide the ON/OFF switch to “ ON” to turn on the unit, the Bluetooth indicator lights up at once
2. Power off the unit : Slide the ON/OFF switch to “ OFF” to turn off the unit, the Bluetooth indicator goes out in the meanwhile.

● **Connection**

1. Work with phone
 - Power on the unit, and coming with a short Bluetooth hint sound from the unit, the Bluetooth function is on, the blue Bluetooth indicator lights up at the same time, these show the unit is enter pairing mode.
 - Turn on the Bluetooth function in your phone, and search the Bluetooth device, then, your phone will find the device named “BIJELA HT1051”, A tone will sound to confirm the device has paired successfully.

Note: Please take the User’s manual of your cell phone for the details about Bluetooth connection.

2. Work with tablet PC

- Please refer to the above phone connection operation steps.

3. Work with laptop/ notebook computer /PC

- As the Bluetooth version for laptop/ notebook computer /PC is various, the connection methods are different as well, if you can not connect with the unit for play on first use, you may need to install a new version of the Bluetooth driver in your laptop in advance. Please reference the instructions of laptop for details.

● **Play mode**

1. Bluetooth mode: play the audio signal from Bluetooth device connected with the unit.
2. AUX mode: play the audio signal from the audio device with “LINE IN” port.

Note: As long as the Aux cable is connected to the speaker, it will not play the music from Bluetooth

● **Play the music**

Play the audio signal from Bluetooth device

1. Follow the above connection steps to pair the Bluetooth device and the unit.
2. Enter in the Bluetooth device audio play menu, choose your favorite music to play.
3. Press the multi-function button to pause or play your music as you need.

LINE IN :

1. Plug one end of the supplied Aux cable to the “LINE IN” port in the back of unit, and then plug the other end of the cable to audio device.
2. Choose directly your favorite music in the audio device to play
3. Press the multi-function button to pause or play your music as you need.

LINE OUT:

1. Plug one end of the supplied Aux cable to the “LINE OUT” port in the back of unit, and then plug the other end of the cable to “LINE IN” port on another speaker.
2. Choose directly your favorite music in the audio device, the music will come out from another speaker, the Magic SoundBox is only a Bluetooth receiver at this moment.
3. Press the multi-function button to pause or play your music as you need.

Note:

- *LINE OUT only works with audio signal from wireless Bluetooth, line in signal is invalid.*
- *Volume+&volume- on the Magic SoundBox lose function on this occasion, only the audio device and another speaker itself can control the volume.*

- **Adjusting the volume**

1. Press the volume button on the unit or control the audio device volume directly to adjust the volume

Note: When the unit turns to be a Bluetooth receiver via LINE OUT function, Volume+&volume- on the Magic SoundBox lose function on this occasion, only the audio device and another speaker itself can control the volume

- **Hands free function**

1. The unit will play your phone ringtone when there is a incoming call

2. At this time, press the multi-function button to answer the phone, and talk through the microphone

- **Charge**

1. Connect the standard USB end of the supplied USB cable to a USB power source (like PC, USB power adapter...etc.)

2. Connect the Mini USB jack to the USB charging port on the unit. The charging indicator will light up while charging

3. It will take about 3 hours for fully charge the Bluetooth speaker

4. The charging indicator working mode:

- Red LED flashes fast: the battery is low, the user should charge the unit soon

- Red LED flashes slow: the unit is during charging

- Red LED turns to be green: the battery is fully charged

Note: if the unit is not to be used longer than 7 days, please charge the unit for 10 minutes before turn on the unit.

Technical parameters

Note: All specifications are subject to change without notice.

Product Name: Magic SoundBox Bluetooth speaker

Model Name : HT1051

Power Supply: USB 5V

Built-in Lithium Ion batteries: 3.7V 1000mAh

Output power: RMS 3W

Bluetooth Profile Supported: A2DP, AVRCP

Working range: up to 8-12m

Working atmosphere: 0°C-40°C/20%-90%RH

Maintenance

Please follow the instructions below before clear the unit

- Power off the unit first before clear

- Use a soft, dry, lint-free cloth to wipe gently

- Do not use alcohol, benzene, thinners or other chemical detergents as these can cause the casing to be warped or discolored

Storage

- If the unit will not be used for an extended period of time, power off the unit and place the unit with accessories into the package

- Do not set the unit in a damp, high temperature or the sun point-blank place

Troubleshooting

Question: Can't pair successfully after multiple connections ?

Solution :

(1) Check if the blue Bluetooth indicator lights on, if the indicator goes off, please slide the ON/OFF switch to "ON", if the blue Bluetooth indicator doesn't light on yet, please charge the unit

(2) Perhaps there are many Bluetooth devices around the surroundings to interfere the searching, please close the Bluetooth function in the device you don't need

(3) Power off and then power on the unit, to restart the Bluetooth function of the unit or your Bluetooth device

(4) Unplug the AUX cable from the unit, and re-pair the unit and the Bluetooth device

Question: The sound occurs staccato when play ?

Solution :

- (1) Make sure the working distance is in 8-12m
- (2) Clear away the block between the unit and the Bluetooth device to prevent the poor connecting
- (3) Please check if the unit and the Bluetooth device is in low battery, if so, please charge the unit and your Bluetooth device

FCC STATEMENT

This device complies with Part 15 of the FCC Rules. Operation is subject to the following two conditions:

- (1) This device may not cause harmful interference, and
- (2) This device must accept any interference received, including interference that may cause undesired operation.

Warning: Changes or modifications not expressly approved by the party responsible for compliance could void the user's authority to operate the equipment.

NOTE: This equipment has been tested and found to comply with the limits for a Class B digital device, pursuant to Part 15 of the FCC Rules. These limits are designed to provide reasonable protection against harmful interference in a residential installation. This equipment generates uses and can radiate radio frequency energy and, if not installed and used in accordance with the instructions, may cause harmful interference to radio communications. However, there is no guarantee that interference will not occur in a particular installation. If this equipment does cause harmful interference to radio or television reception, which can be determined by turning the equipment off and on, the user is encouraged to try to correct the interference by one or more of the following measures:

- Reorient or relocate the receiving antenna.
- Increase the separation between the equipment and receiver.
- Connect the equipment into an outlet on a circuit different from that to which the receiver is connected.
- Consult the dealer or an experienced radio/TV technician for help.

FCC Radiation Exposure Statement

This equipment complies with FCC radiation exposure limits set forth for an uncontrolled environment. This equipment should be installed and operated with minimum distance 20cm between the radiator & your body.

BIJELA

www.bijela.com.cn

E-core technology co., LTD.

Address:

Made in China