

User's Manual

Thank you for purchasing our Baby Bluetooth speaker.

Read carefully and follow all instructions in this User's Manual before you use the Baby speaker. Keep this User's Manual in a convenient location for future reference.

Safety Instructions

This product is specially designed based on the full attention to safety, in order to make sure the accident-free operation, please abide the guidelines listed below:

- Always position the unit on a stable and level surface. Unstable surface can cause the unit to topple and fall, resulting in possible damage or injury.
- Do not drop, unpack, open, beat, curve, prink and burn the unit.
- Avoid using the unit nearby basins or sinks where it may come in contact with water.
- Do not place any ware with full water on the top of the unit, such as vase, glass, pot, and please avoid placing candle on the speaker surface as well.
- Protect the using of the unit from any overheating devices (such as radiator, heating installation, cooking stove or other heating devices)
- Regardless of what reasons cause the unit damage, please ask for the maintenance personnel to repair
- If you want to do the cleaning, please turn off the unit and unplug the power cable from the outlet first.
- Set the volume properly to prevent injury to the unit and your health.

Package Contents

1. Baby bluetooth speaker main unit x 1
2. Protection bag x 1
3. USB cable for charging x 1
4. 3.5mm to 3.5mm aux cable x 1
5. User's manual x 1

Fit Models

- Apply to : all iPhone and iPad series, Smartphones, Laptop, Tablets and other Bluetooth devices.
- Work with any device with standard 3.5mm earphone jack via the included aux cable for connecting, such as MP3,PSP, Mobile phone...,etc.

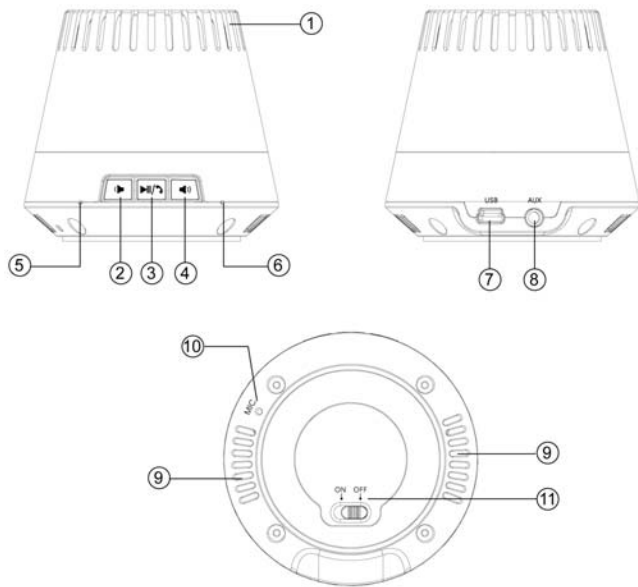
Outstanding Features

Baby Bluetooth speaker is a hands-free bluetooth speaker device. This unit is compatible with all wireless Bluetooth devices such as the iPad2, iPhone4, Smartphones, Laptops, Tablets and other Bluetooth devices, makes your life full of fun. Compact, portable ,perfect pocket sized design is perfect for travel. Additionally, the "AUX IN" function let the unit work with any device with standard 3.5mm earphone jack, this function provides you more entertainment options.

- Ultra-compact, high performance Bluetooth speaker and speakerphone in the palm of your hand
- Speaker phone, microphone built-in, and shift to phone call mode automatically
- Working range is up to 8m,
- Portable design, rechargeable battery built-in and via USB lead for charging
- User friendly design, one button and one time for pairing
- Aux in, work with any device with standard 3.5mm earphone jack

Part Names

Main unit



1. Speaker driver unit
2. Volume -
3. Multi-function button (play/pause button & answer key)
4. Volume +
5. Red power indicator
6. Blue Bluetooth indicator
7. USB charging port
8. AUX IN
9. Sub-woofer driver unit
10. Microphone hole
11. ON/OFF power switch

Basic Operation

● Power on/power off

1. Power on the unit: Slide the ON/OFF switch to the "ON" to power on the unit, the red power indicator lights up at once.
2. Power off the unit : Slide the ON/OFF switch to the "OFF" to power off the unit, the red power indicator goes out in the meanwhile.

● Connection

1. Work with phone

- (1) Power on the unit, and coming with a short Bluetooth hint sound form the unit, the Bluetooth function is on, the blue Bluetooth indicator lights up at the same time, these show the unit is coming into a pairing status.
- (2) Turn on the Bluetooth function in your phone, and go to search the Bluetooth device, then, your phone will find the unit Bluetooth name" BiJELA HT2009", enter the password "0000", the phone will remind you it has been paired successfully.
- (3) After the first successful pair, your phone and the unit can auto-pair each other without enter the password on the premise that no change for another unit, you just chose the Bluetooth name" BiJELA HT2009" in your phone Bluetooth list for connection, and then you phone will connect the unit swiftly.

2. Work with tablet PC

- (1) Please refer to the above phone connection operation steps.

3. Work with laptop/ notebook computer /PC

- (1) As the Bluetooth version for laptop/ notebook computer /PC is various, so the connection methods are different, if you can not connect with the unit for play on first use, you shall install a new version of the Bluetooth driver in your laptop in advance. Please reference the instructions of laptop for details.

● Play mode

1. Bluetooth mode: play the audio signal from Bluetooth device connected with the unit.
2. AUX mode: play the audio signal from the audio device with "AUX IN" port.

Note: When the Aux cable and Bluetooth device are connected to the unit at the same time, the Aux will go first and the Bluetooth signal will be cut off.

● Play the music

Play the audio signal from Bluetooth device

1. Follow the above connection steps to pair the Bluetooth device and the unit.

2. Enter in the Bluetooth device audio play menu, choose your favorite music to play.
3. Press the multi-function button to pause or play your music as you need.

AUX IN :

1. Plug one end of the supplied aux cable to the "AUX IN" port in the back of unit, and then plug the other end of the cable to audio device.
2. Choose directly your favorite music in the audio device to play
3. Press the multi-function button to pause or play your music as you need.

● **Adjusting the volume**

1. Press the volume button on the unit or control the Bluetooth device volume directly to adjust the volume.

● **Hands free function**

1. The unit will play your phone ringtone when there comes a call to your phone
2. At this time, the multi-function button is the answer key, press the answer key, you can answer the call through the microphone hole hands-freely

● **Charge**

1. Use USB cable for charging: connect one end of the supplied USB cable to PC, and connect the other end to the USB charging port on the unit, then the unit can be fully charged after about 1.5 hour.
2. Use power adapter for charging: connect one end of the supplied USB cable to the DC 5V power adapter as a USB power cable, and then plug the power adapter into wall outlet or other power outlets, connect the other end to the USB charging port on the unit, then the unit can be fully charged after about 1.5 hour.

Technical parameters

Note: All specifications are subject to change without notice.

Product Name: Baby Bluetooth speaker

Model Name : HT2009

Power Supply: USB 5V

Built-in Lithium Ion batteries: 3.7V 420mAH

Output power: RMS 2W

Bluetooth Profile Supported: A2DP, AVRCP

Working range: up to 8m

Working atmosphere: 0°C-40°C/20%-90%RH

C €2200

Maintenance

Please follow the instructions below before clear the unit

- Power off the unit first before clear
- Use a soft, dry, lint-free cloth to wipe gently
- Do not use alcohol, benzene, thinners or other chemical detergents as these can cause the casing to be warped or discolored

Storage

- If the unit will not be used for an extended period of time, unplug the power cord and place the unit with accessories into the package.
- Do not set the unit in a damp, high temperature or the sun point-blank place.

Troubleshooting

Question: Can't pair successfully after multiple connections ?

Solution :

- (1) Check if the red power indicator lights on, if the indicator goes off, please slide the ON/OFF switch to "ON", if the red power indicator doesn't light on yet, please charge the unit.

- (2) Perhaps there are many Bluetooth devices around the surroundings to interfere the searching, please close the Bluetooth function in the device you don't need.
- (3) Power off and then power on the unit, to restart the Bluetooth function on the unit or on your Bluetooth device.
- (4) Unplug the AUX cable from the unit, and re-pair the unit and the Bluetooth device.

Question: The sound occurs staccato when play ?

Solution :

- (1) Make sure the working distance is in 8m.
- (2) Clear away the block between the unit and the Bluetooth device to prevent the poor connecting.
- (3) Please check if the unit and the Bluetooth device is in low battery, if so, please charge the unit and your Bluetooth device.

FCC STATEMENT

1. This device complies with Part 15 of the FCC Rules. Operation is subject to the following two conditions:

- (1) This device may not cause harmful interference.
- (2) This device must accept any interference received, including interference that may cause undesired operation.

2. Changes or modifications not expressly approved by the party responsible for compliance could void the user's authority to operate the equipment.

NOTE: This equipment has been tested and found to comply with the limits for a Class B digital device, pursuant to Part 15 of the FCC Rules. These limits are designed to provide reasonable protection against harmful interference in a residential installation. This equipment generates uses and can radiate radio frequency energy and, if not installed and used in accordance with the instructions, may cause harmful interference to radio communications. However, there is no guarantee that interference will not occur in a particular installation. If this equipment does cause harmful interference to radio or television reception, which can be determined by turning the equipment off and on, the user is encouraged to try to correct the interference by one or more of the following measures:

- Reorient or relocate the receiving antenna.
- Increase the separation between the equipment and receiver.
- Connect the equipment into an outlet on a circuit different from that to which the receiver is connected.
- Consult the dealer or an experienced radio/TV technician for help.

RF warning statement:

The device has been evaluated to meet general RF exposure requirement. The device can be used in portable exposure condition without restriction.

BIJELA

www.bijela.com.cn

E-core technology co., LTD.

Address:

Made in China