

User's Manual

Thank you for purchasing our Pureplay Pro Bluetooth speaker.

Read carefully and follow all instructions in this User's Manual before you use the speaker. Keep this User's Manual in a convenient location for future reference.

Safety Instructions

This product is specially designed based on the full attention to safety; in order to make sure the accident-free operation, please abide the guidelines listed below:

- Always position the unit on a stable and level surface. Unstable surface can cause the unit to topple and fall, resulting in possible damage or injury.
- Do not drop, unpack, open, beat, curve, prink and burn the unit.
- Avoid using the unit nearby basins or sinks where it may come in contact with water.
- Do not place any ware with full water on the top of the unit, such as vase, glass, pot, and please avoid placing candle on the speaker surface as well.
- Protect the using of the unit from any overheating devices (such as radiator, heating installation, cooking stove or other heating devices)
- Regardless of what reasons cause the unit damage, please ask for the maintenance personnel to repair
- If you want to do the cleaning, please turn off the unit and unplug the power cable from the outlet first.
- Set the volume properly to prevent injury to the unit and your health.



Correct Disposal of this product. This marking indicates that this product should not be disposed with other household wastes throughout the EU. To prevent possible harm to the environment or human health from uncontrolled waste disposal, recycle it responsibly to promote the sustainable reuse of material resources. To return your used device, please use the return and collection systems or contact the retailer where the product was purchased. They can take this product for environmental safe recycling.

WARNING:

- No naked flame sources, such as lighted candles, should be placed on the apparatus.

Package Contents

1. Pureplay Pro Bluetooth speaker main unit x 1
2. Power adapter x 1
3. Aux cable x 1
4. User's manual x 1

Fit Models

- Apply to: all iPhone and iPad series, Smartphones, Laptop, Tablets and other Bluetooth devices.
- Work with any device with standard 3.5mm earphone jack via the included aux cable for connecting, such as MP3,PSP, Mobile phone...,etc.

Outstanding Features

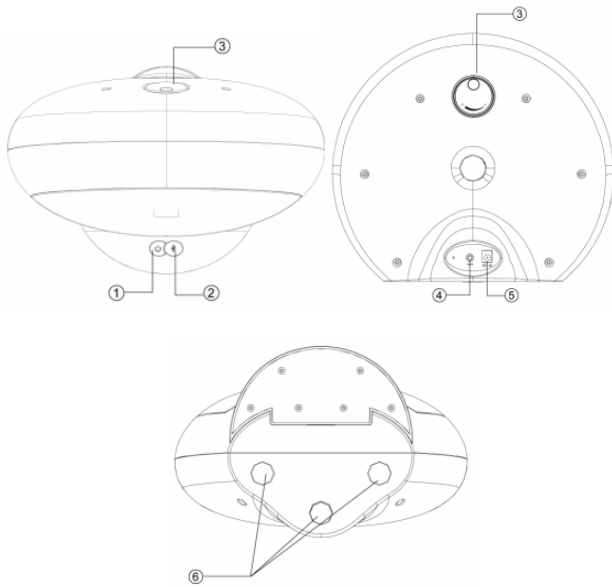
Pureplay Pro Bluetooth speaker is compatible with all wireless Bluetooth devices such as the iPad, iPhone, Smartphones, Laptops, Tablets and other Bluetooth devices, makes your life full of fun. Additionally, the "AUX IN" function let the unit work with any device with standard 3.5mm earphone jack, this function provides you more entertainment options.

- Subwoofer built-in, delivers natural and immersive sound with deep, rich bass
- Compatible with all wireless Bluetooth devices(iPad, iPhone, Smartphones, Laptops, Tablets and other Bluetooth devices)
- Working range is up to 8m

- Generous design for bedroom or house saloon decoration
- Aux in, work with any device with standard 3.5mm earphone jack
- Automatic connection, only one time pairing

Part Names

Main unit



1. Multi-function button (Power button & source switch)
2. Play/Pause button (Built-in Bluetooth LED indicator)
3. Volume wheel
4. AUX IN
5. DC IN
6. Anti-slip pad

Basic Operation

● **Connecting the Power Cord and Power Adaptor**

1. Plug the supplied power adapter into the wall outlet, and then, connect the DC end of power cord into the “DC IN” socket on the unit.

● **Power on/power off**

1. Power on the unit: Press the power button on the unit, the red power indicator will light up.
2. Power off the unit: Hold the power button for 3 seconds to power off the unit, the red power indicator goes out.

● **Connection**

1. Work with phone

- (1) Power on the unit, the Bluetooth function turns on automatically, a short Bluetooth hint sound comes out from the unit, the blue Bluetooth indicator flashes at the same time, these show the unit is entering pairing mode.
- (2) Turn on the Bluetooth function in your phone, search the Bluetooth device named “BiJELA HT2011”, select the device and enter the password “0000”, the phone will remind you it has been paired successfully.
- (3) After paired for the first time, your phone and the unit can auto-pair without enter the password, just chose the device “BiJELA HT2011” in the list, and then your phone will connect the unit swiftly.

Note: Please take the User's manual of your cell phone for the details about Bluetooth connection.

2. Work with tablet PC

Please refer to the above phone connection operation steps.

3. Work with laptop/ notebook computer /PC

As the Bluetooth version for laptop/ notebook computer /PC is various, the connection methods are different as well, if you can not connect with the unit for play on the first use, you may need to install a new version of the Bluetooth driver in your laptop in advance. Please reference the instructions of laptop for details.

● **Play mode**

Press the source switch to choose the play mode

1. Bluetooth mode: play the audio signal from Bluetooth device connected with the unit.
2. AUX mode: play the audio signal from the audio device with "AUX IN" port.

- **Play the music**

Play the audio signal from Bluetooth device

1. Follow the above connection steps to pair the Bluetooth device and the unit.
2. Enter in the Bluetooth device audio play menu, choose your favorite music to play.
3. Press the multi-function button to pause or play your music as you need.

AUX IN:

1. Plug one end of the supplied aux cable to the "AUX IN" port in the back of unit, and then plug the other end of the cable to audio device.
2. Choose directly your favorite music in the audio device to play
3. Press the multi-function button to pause or play your music as you need.

- **Adjusting the volume**

Rotate the volume wheel on the unit or control the Bluetooth device volume directly to adjust the volume.

Technical parameters

Note: All specifications are subject to change without notice.

Product Name: Pureplay Pro Bluetooth speaker

Model Name: HT2011

Power Supply: DC 15V 2A

Output power: RMS 2 x 4W tweeter and 1 x 15W woofer

Bluetooth Profile Supported: A2DP, AVRCP

Working range: up to 8m

Maintenance

Please follow the instructions below before clear the unit

- Power off the unit first before clear
- Use a soft, dry, lint-free cloth to wipe gently
- Do not use alcohol, benzene, thinners or other chemical detergents as these can cause the casing to be warped or discolored

Storage

- If the unit will not be used for an extended period of time, unplug the power cord and place the unit with accessories into the package.
- Do not set the unit in a damp, high temperature or the sun point-blank place.

Troubleshooting

Question: Can't pair successfully after multiple connections ?

Solution :

- (1) Check the connection of power cable , and ensure the unit is powered on.
- (2) Perhaps there are many Bluetooth devices around the surroundings to interfere the searching, please close the Bluetooth function in the device you don't need.
- (3) Power off and then power on the unit, to restart the Bluetooth function on the unit or on your Bluetooth device.
- (4) Unplug the AUX cable from the unit, and re-pair the unit and the Bluetooth device.

Question: The sound occurs staccato when play?

Solution :

- (1) Make sure the working distance is in 8m.
- (2) Clear away the block between the unit and the Bluetooth device to prevent the poor connecting.

Question: My unit has no sound when play?

Solution :

- (1) Check the connection of power cable , and ensure the unit is powered on.

- (2) Make sure the volume is not adjusted to the lowest.
- (3) Check the play/pause status on the unit or on your iPad/iPhone/iPod, MP3, phone...,etc.
- (4) Make sure the speaker unit is in the right play mode.

FCC STATEMENT

1. This device complies with Part 15 of the FCC Rules. Operation is subject to the following two conditions:

- (1) This device may not cause harmful interference.
- (2) This device must accept any interference received, including interference that may cause undesired operation.

2. Changes or modifications not expressly approved by the party responsible for compliance could void the user's authority to operate the equipment.

NOTE: This equipment has been tested and found to comply with the limits for a Class B digital device, pursuant to Part 15 of the FCC Rules. These limits are designed to provide reasonable protection against harmful interference in a residential installation. This equipment generates uses and can radiate radio frequency energy and, if not installed and used in accordance with the instructions, may cause harmful interference to radio communications. However, there is no guarantee that interference will not occur in a particular installation. If this equipment does cause harmful interference to radio or television reception, which can be determined by turning the equipment off and on, the user is encouraged to try to correct the interference by one or more of the following measures:

- Reorient or relocate the receiving antenna.
- Increase the separation between the equipment and receiver.
- Connect the equipment into an outlet on a circuit different from that to which the receiver is connected.
- Consult the dealer or an experienced radio/TV technician for help.

FCC Radiation Exposure Statement

This equipment complies with FCC radiation exposure limits set forth for an uncontrolled environment. This equipment should be installed and operated with minimum distance 20cm between the radiator & your body.

BIJELA

www.bijela.com.cn

E-core (Hubei) technology co., LTD.

Phone: 0711-2383866

Fax: 0711-2383899

Address:

Made in China