

bēm[®]
WIRELESS

kickstand micro

USER GUIDE

6	Product Overview
7	Features
8	Interface
10	Entry Level Operation
14	Video/Photo Source Connection
18	Customized Settings
21	Wireless connection operation for iPhones
24	Wireless connection operation for Androids
27	Specifications
28	FAQ
29	FCC Statement
30	Safety Instructions
32	Warranty

Thank you for purchasing the Bem Wireless Kickstand Micro Projector! We hope that you find our products easy and fun to use, as well as innovative. In order for you to better interact with the product, please read the User Guide carefully and save it for future reference.

1. Read the instructions

Before using the device, please read all safety and operating instructions.

2. Cautions and Warnings

Our product has been designed to include a variety of protective measures, but improper use of the projector may cause electric shock or fire. Please follow the instructions, paying careful attention to all recommendations for proper use.

3. Clean

Before cleaning, unplug the projector power cord from the wall outlet. Use a dry cloth to wipe the projector case. Do not use liquid or aerosol-based cleaners.

4. Install

Do not put the projector on an unstable cart, stand, or table. This may result in serious damage to the projector due to a fall. All plastic packaging materials (for projector, accessories, and optional parts) should be put out of the reach of children. Otherwise, bags and other packaging materials may cause suffocation.

5. The light source

To protect your vision when using the Bem Kickstand Micro projector, do not stare or look directly into the lens and the projection beam.

6. **Ventilation**

This projector is equipped with intake and exhaust vents.

WARNING: Do not block these openings, otherwise the heat may accumulate inside and effect picture quality or cause damage to the projector.

7. **Power**

Please use the supplied power cord for the product.

8. **Maintenance**

Do not attempt to service this projector. It is better to contact professional and technical personnel for any maintenance needed.

9. **Replacement Parts**

When replacement parts are required, be sure to use replacement parts specified by the manufacturer. Unauthorized substitutions may cause fire, electric shock, or other hazards.

10. **Condensation**

When the Micro projector is experiencing a major change in temperature (from very cold to very hot environments), moisture may condense on the lens and on the internal critical components. To prevent damage to the projector, you should wait at least 2 hours before using when the temperature abruptly or suddenly changes. Please refer to the listed operating temperatures.

Product Overview

The bem wireless Kickstand MICRO Projector is a high performance, extra portable projector. It's small enough to fit into your briefcase or purse for easy transport and setup is a breeze – kick out the leg, stand it up, and turn it on! The Kickstand Micro's ease of use is matched by it's quality. This little technological wonder has a sleek finish with amazing performance specs to match.

Package Contents

Your bem Kickstand Micro should have included all of the following:

Kickstand MICRO x 1

Power Adapter x 1

HDMI Cable x 1

Aux Cable x 1

Quick Start Guide x 1

User Guide x 1

(Warranty can be found on page 32 in the User Guide)

If any items are missing or damaged, please call bem wireless customer support at 1-855-839-8616 or email support@bemwireless.com to arrange for replacements.

Features of your Kickstand Micro

Your Kickstand Micro has been awarded U.S. Patents and also includes advanced projector technology:

1. DLP® technology, up to 93-inch optimal screen size for your enjoyment.
2. Compact and portable with an integrated stand (utility patented) to simply carry and set up.
3. *Built-in 3000mAh rechargeable battery supports up to 2 hours
4. **Mirroring your screen can be seamlessly transferred from your mobile phone to your projector's big screen.
5. Automatic keystone correction, free from image angle adjustment issues.
6. Long-life LED light source: No need to replace light bulbs.
7. Aux out: Good for setting up a speaker
8. Containing HDMI port, AUX port, including full support for game consoles (PS3, PS4, XBOX360, XBOX ONE, Wii U) for audio and video output devices via HDMI cable and Aux cable.

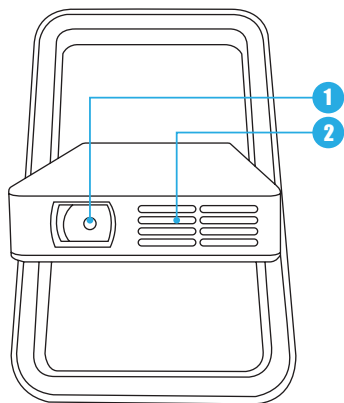
*Battery charge time may vary, depending on the mode of operation. (For example, video streaming may result in less battery time).

**Mobile phone devices vary. Please refer to your specific phone's user guide to identify and properly use the mirror function.

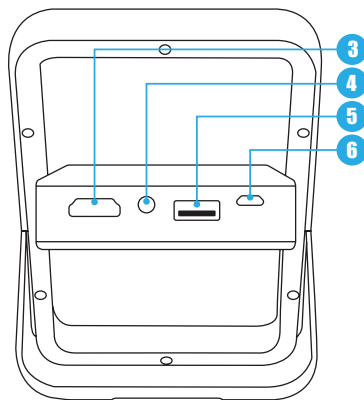
NOTE: PS3, PS4, XBOX360, XBOX ONE, Wii U are registered trademarks of the corresponding companies.

Interface Ports and Functions

1. Lens
2. Cooling air outlets
3. HDMI input connector
4. Earphone/ Speaker output
5. USB input
6. DC input (Power)



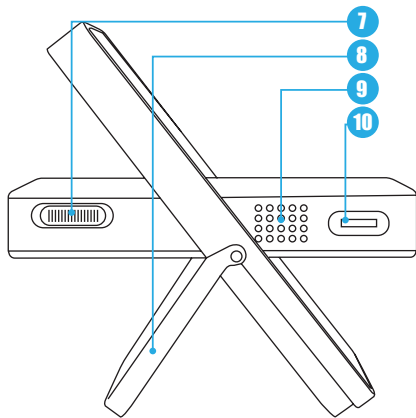
FRONT



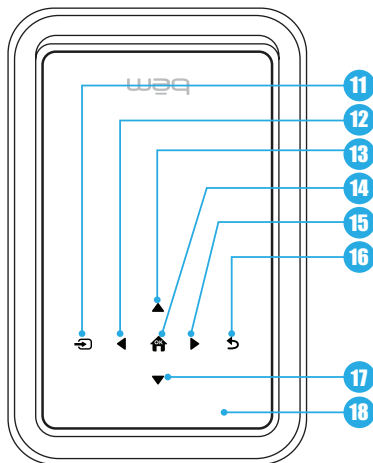
BACK

- 7. Power switch
- 8. Support Kickstand
- 9. Speaker output
- 10. Focus Adjustment Wheel
- 11. Signal input key
- 12. Left selection key
- 13. Up key

- 14. Home key/OK
- 15. Right key
- 16. Return to prior screen key
- 17. Down selection key
- 18. Power indicator LED light(charging)



SIDE



TOP

Entry Level Operation

One minute installation guide

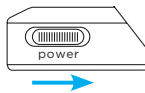
Set up your Micro projector on a smooth, even horizontal surface. Kick out the leg.

We recommend that you first fully charge the product before using. Charge for approximately 3 hours, if portable use is intended.(see 3. below)

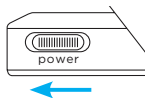
1. Slide power button in the Power ON direction for 3 seconds. You will see the main Bem screen projected.

Connect the power adapter to charge/use the Kickstand Micro projector.

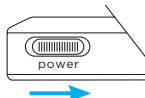
2. Plug the power adapter into DC port on the Micro projector, then you can start to use the product while charging.



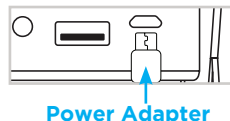
3. **To Charge:** Slide the power switch forward and hold it in position. (You will see charging light on top of housing turn on)



4. **Power On:** Slide the power switch back for 3 seconds. The blue LED lights turn on, the system starts.



5. **Power Off:** Slide the power switch forward momentarily to power off.

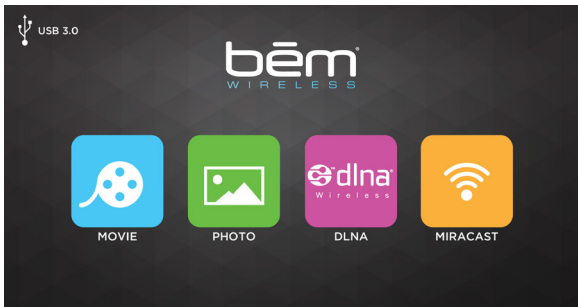


Entry Level Operation (con't)

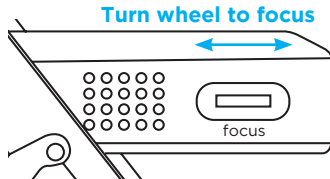
Starting up the Micro Projector

Power On: Slide the power switch back for 3 seconds. The blue LED lights turn on, the system starts.

Main Menu- Projected screen at start up.



- You can use the **focus adjustment wheel** to make the picture sharp and clear.

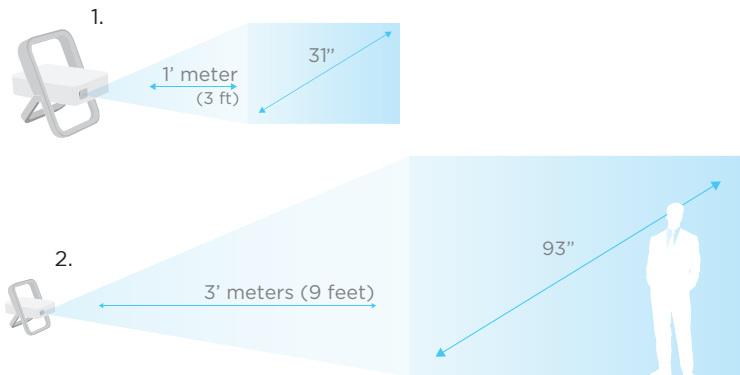


Entry Level Operation (con't)

Adjust the projection size and resolution

- Dimensions vary based on the distance between the Micro projector and the surface being projected onto.
- The greater the distance, the larger the projected image
 - 1 meter (3 feet) distance can project 31 inches,
 - 3 meters (9 feet) can project roughly 93 inches

Entry Level Operation (con't)



Automatic Adjustment: Keystoning

With roughly 40 degrees of automatic image shape correction, the Micro projector will hold the picture in a rectangular format, regardless of your projector angle. This is known as **Keystone Correction**

***NOTE:** Low-light environments can help you get a better picture quality

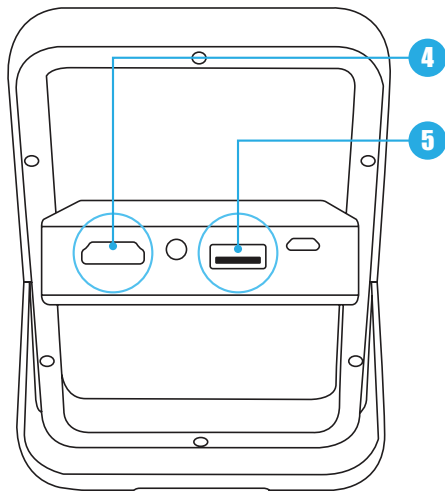
Video/Photo Source Connection

Video source connection

When connecting an external source to the projector, please be sure:

1. Turn off all equipment before making any connections.
2. Use the correct source to make the connection. (HDMI or USB)
3. Ensure the cables are firmly inserted.

(4) HDMI input, (5) USB input



Video/Photo Source Connection (con't)

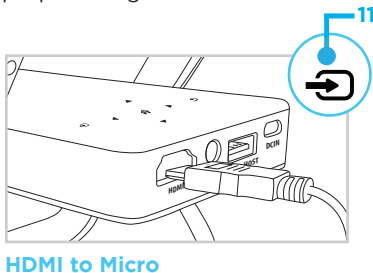
HDMI Connection

Press the signal input key to transfer into HDMI input mode.

Use the UP/DOWN keys to navigate

NOTE: Many devices + laptop computers do not automatically turn on their external video port when connected to the projector. Please see the laptop's user guide to find its source key for connection, if needed.

Input Source
USB
HDMI




Note: Make sure your laptop model or other device has the correct adaptor to connect to the Micro. You may need an adaptor that is NOT included.



Video/Photo Source Connection (con't)

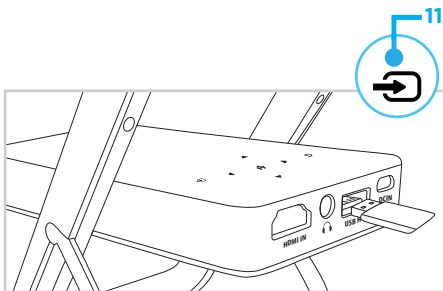
USB Connection:

Press  signal input key to transfer into USB mode. You can play movies and photos that are loaded on your USB device

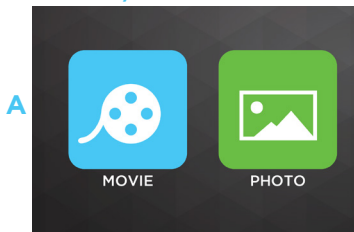
Input Source

USB

HDMI





Video/Photo Source Connection (con't)





Media Selection

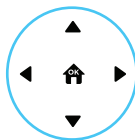
The main startup screen will be projected, select either Movie or Photo.



A. Video file viewing: Select "Movie" mode and press  key to enter the following figure B screen, use the navigation keys to select the video file from the USB device and press  to playback.



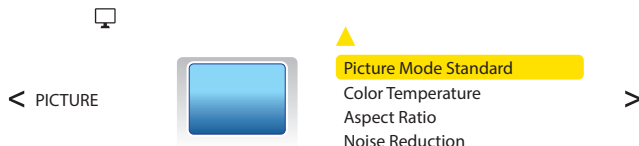
B. Photo viewing: Select "picture" mode and press  key to enter the following figure C screen, use the navigation keys to select the picture file from the USB device and press  to playback.



Use these keys to Navigate through either video or picture files on the USB device

Customized Settings

1.) Picture Screen



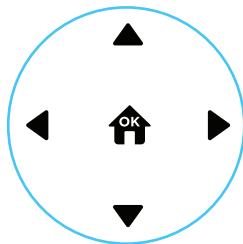
The projector allows customized adjustments for the picture, sound, and options screens.

Press the source input key for 3 seconds to get to customized settings.

To adjust, please use the Up, Down + Right arrows. Select the mode preferred.



Hold for 3 seconds



Use these keys to
Navigate through
customized settings

Top of Micro

Customized Settings

2.) Sound Screen

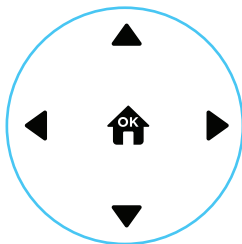
< SOUND



▲
Sound Mode Standard

Balance
Auto Volume
Surround Sound
SPDIF Mode
EQ

>

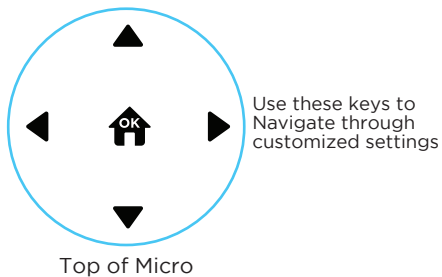
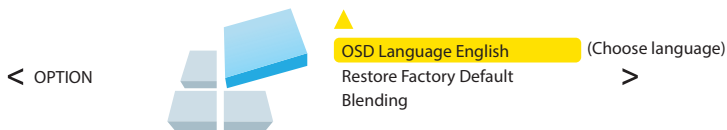


Use these keys to
Navigate through
customized settings

Top of Micro

Customized Settings

2.) Option Screen



Wireless connection operation for iPhones

1. Open your Wi-Fi setting of your smart device
2. Search connector “Micro-xxx” hot spots. The initial password is: 12345678.
3. Go to iPhone screen and swipe up to get to Airplay.
4. If you have issues please go to DLNA icon on the main screen of the Micro and it will walk you through the steps.



iPhone

Wireless connection operation for iPhones (cont)

iPhone

3. If your smart device supports DLNA wireless transmission, then you can directly push image, music, videos to the projector.

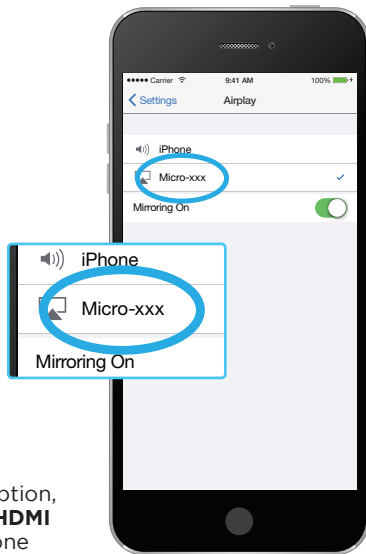
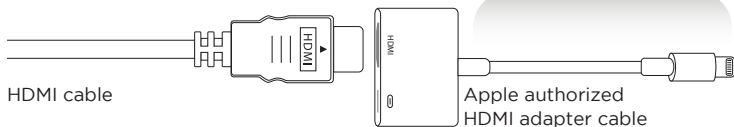
*** Optional:** Add a Bluetooth Speaker from your mobile device to get full sound for your entertainment needs



Wireless connection operation for iPhones (cont)

5. Select "Micro-xxx" as your device from smart phone.

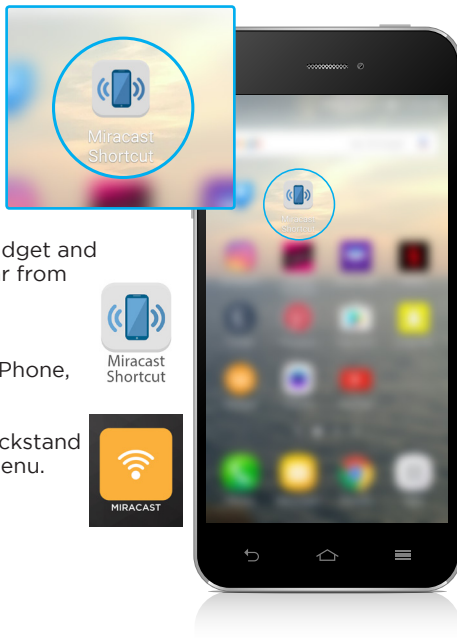
*As a recommended streaming option, you can purchase a **lightning to HDMI** Cable(not included) for your iPhone



iPhone

Wireless connection for Android

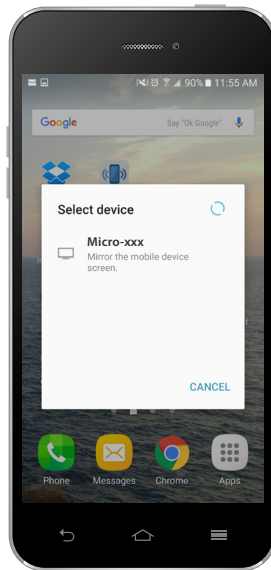
D. Miracast Android wireless transmission



1. Download “Miracast Widget and Shortcut” App or similar from Google Store.
2. Open Miracast App on Phone,
3. Select Miracast from Kickstand Micro projector main menu.

Wireless connection for Android (cont)

4. Select Kickstand “Micro-xxx” as your device from smart phone.



Android

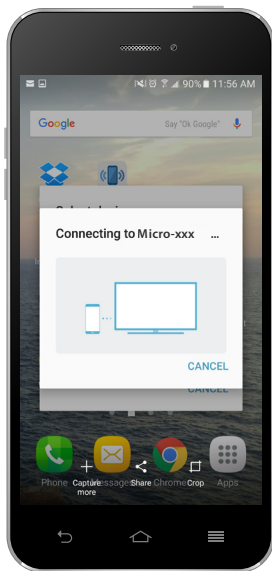
Wireless connection for Android

5. Allow 5-10 seconds for the Kickstand Micro and app to communicate

Audio output:

Plug 3.5mm port into the audio outputs on the back of the projector, enabling a connection to an audio speaker.

* **Optional:** Add a Bluetooth Speaker from your mobile device to get full sound for your entertainment needs



Specifications

Power	Input: AC 100-240V
Power	Output: DC 5V 3A
Dimensions	144 x 93 x 20mm (5.6" x 3.6" x .8")
Technology	DLP 0.2EM DMD
Resolution	(854 x 480)
Brightness	300 Lumens
Contrast	800 : 1
Ratio	16 : 9 Native
Light Source	3 x LED (RGB)
Source Lifetime	20,000 Hours
Projected Image Size	31" @ 1m (39") 93" @ 3m (118")
Focus Method	Focus Adjustment Wheel
Keystone Correction	Automatic +/- 40 degrees
Input	HDMI & USB
Audio Output	3.5mm audio output
Built-in Speaker	0.5W x 1
Video Format	MPEG1, MPEG2, MPEG4, H264, RM, RMVB, MOV, AVI, MP4, FLV, MJPEG, VC1

Frequently Asked Questions

Video Output

No image is displayed or no signal

1. Please check to see whether your projector normally started.
2. Please check whether the power is switched on & the battery is fully charged.
3. Please check whether to switch to HDMI or USB mode.
4. Please check the DC power cord connection.

Projection screen flicker or color cast

1. Make sure Kickstand Micro battery is fully charged. (Full charge is approximately 3 hours)
2. Please check the DC power cord connection or source input (HDMI cable or USB Device).

Internet connection

1. Unable to connect a wireless WiFi device: Make sure your mobile device has its WiFi mode turned on.

FCC Statement

1. This device complies with Part 15 of the FCC Rules. Operation is subject to the following two conditions:

- (1) This device may not cause harmful interference.
- (2) This device must accept any interference received, including interference that may cause undesired operation.

2. Changes or modifications not expressly approved by the party responsible for compliance could void the user's authority to operate the equipment.

NOTE: This equipment has been tested and found to comply with the limits for a Class B digital device, pursuant to Part 15 of the FCC Rules. These limits are designed to provide reasonable protection against harmful interference in a residential installation.

This equipment generates uses and can radiate radio frequency energy and, if not installed and used in accordance with the instructions, may cause harmful interference to radio communications. However, there is no guarantee that interference will not occur in a particular installation. If this equipment does cause harmful interference to radio or television reception, which can be determined by turning the equipment off and on, the user is encouraged to try to correct the interference by one or more of the following measures:

- Reorient or relocate the receiving antenna.
- Increase the separation between the equipment and receiver.
- Connect the equipment into an outlet on a circuit different from that to which the receiver is connected.
- Consult the dealer or an experienced radio/TV technician for help.

FCC Radiation Exposure Statement

This equipment complies with FCC radiation exposure limits set forth for an uncontrolled environment. This equipment should be installed and operated with a minimum distance of 20cm between the radiator & your body.

<http://bemwireless.com/> | bēm wireless LLC. Algonquin, IL. 60102 USA | Made in China



Safety Instructions

This product is specially designed based on the full attention to safety; in order to make sure the accident-free operation, please abide the guidelines listed below:

- Always position the unit on a stable and level surface. Unstable surface can cause a fall, resulting in possible damage or injury
- Do not drop, unpack, open, beat, curve, prink and burn the unit
- Avoid using the unit nearby basins or sinks where it may come in contact with water
- Do not place anywhere with water near the unit, such as vase, glass, pot.
- Protect using the projector device from any heating devices (such as radiator, heating installation, cooking stove or other heat-related devices)
- For any unit damage, please ask for the maintenance personnel to repair
- For cleaning, please turn off the unit and unplug the power cable from the outlet first
- Set the volume properly to prevent injury to the device and to your personal hearing.



Correct Disposal of this product. This marking indicates that this product should not be disposed with other household wastes throughout the EU. To prevent possible harm to the environment or human health from uncontrolled waste disposal, recycle it responsibly to promote the sustainable reuse of material resources. To return your used device, please use the return and collection systems or contact the retailer where the product was purchased. They can take this product for environmental safe recycling.

WARNING:

- The battery (battery or batteries or battery pack) shall not be exposed to excessive heat such as sunshine, fire or other high heat environment.
- No naked flame sources, such as lighted candles, should be placed on the apparatus.
- CAUTION: Danger of explosion if battery is incorrectly replaced. Replace only with the same or equivalent type.

Stay in Touch!

For questions, comments or to purchase more bēm wireless products go to: **bemwireless.com**

You can also follow us at:



facebook.com/bemwireless



youtube.com/bemwireless

90 day LIMITED WARRANTY

bēm wireless warranties this product against defects in materials and/or workmanship under normal use for a period of ONE YEAR from the date of purchase by the original purchaser (“Warranty Period”). If a defect arises and a valid claim is received within the Warranty Period, at its option bēm will either 1) Repair the defect at no charge, using new or refurbished replacement parts or 2) Replace the product with a new product that is at least functionally equivalent to the original product. A replacement product or part, including a user-installable part installed in accordance with instructions provided by bēm wireless, assumes the remaining warranty of the original product. When a product or part is exchanged, any replacement item becomes your property and the replaced item becomes bēm wireless’s property.

Obtaining Service: To obtain warranty service, call bēm wireless at 1-855-839-8616 or e-mail support@bemwireless.com. Please be prepared to describe the product that needs service and the nature of the problem. A purchase receipt will be required. All repairs and replacements must be authorized in advance. Service options, parts availability and response times will vary. You are responsible for delivery including the cost of delivery of the product or any parts to the authorized service center for replacements, per our instructions.

LIMITED WARRANTY (con't)

Limits and Exclusions: Coverage under this Limited Warranty is limited to the United States of America, including the District of Columbia and the U.S. Territories of Guam, Puerto Rico and U.S. Virgin Islands. This warranty gives you specific legal rights and you may also have other rights which vary from state to state. This Limited Warranty applies only to products manufactured by or for bēm wireless that can be identified by the bēm wireless trademark, trade name, or logo affixed to them or its packaging. The Limited Warranty does not apply to any non-bēm wireless products.

bēm wireless
Algonquin, IL 60102 USA
www.bemwireless.com
©2016 bēm wireless All Rights Reserved.
Made in China

bēmwireless.com

bēm wireless
Algonquin, IL 60102 USA
www.bemwireless.com
©2016 bēm wireless All Rights Reserved.
Made in China