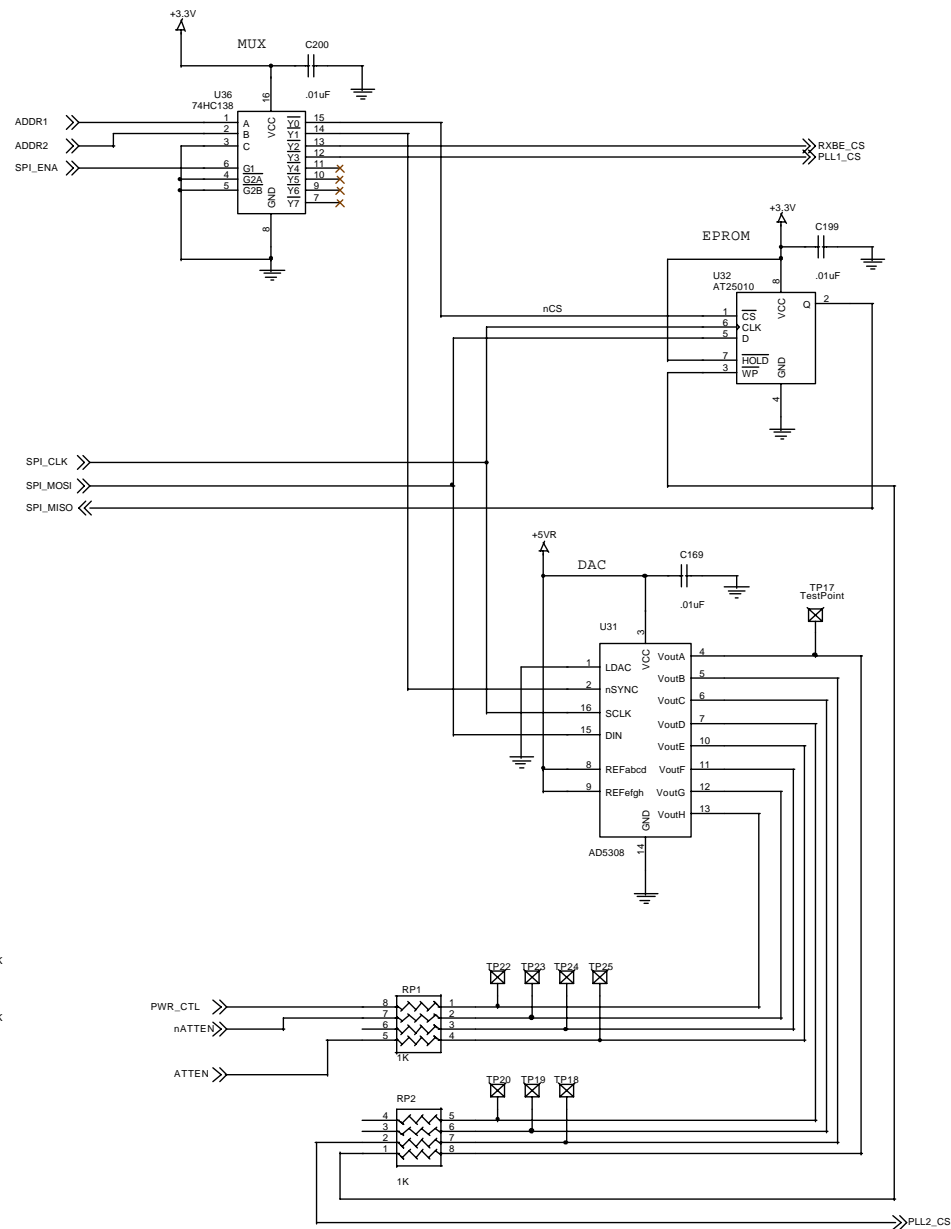
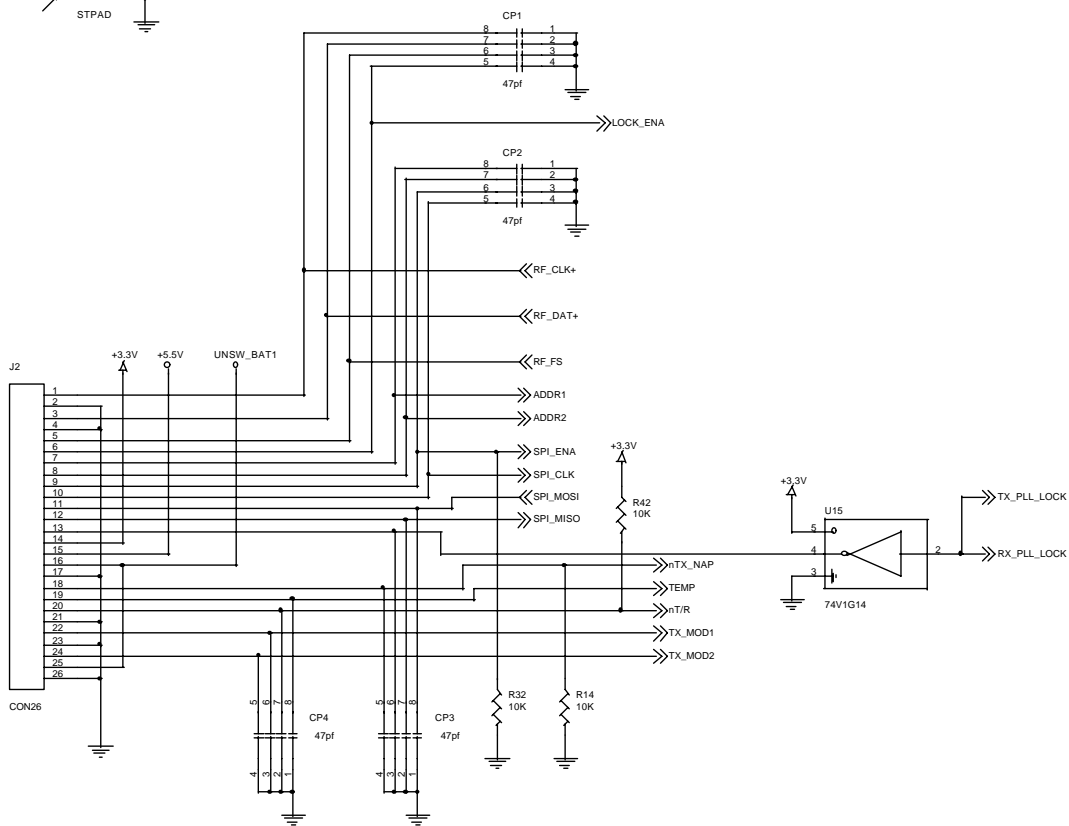
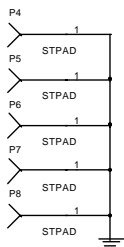
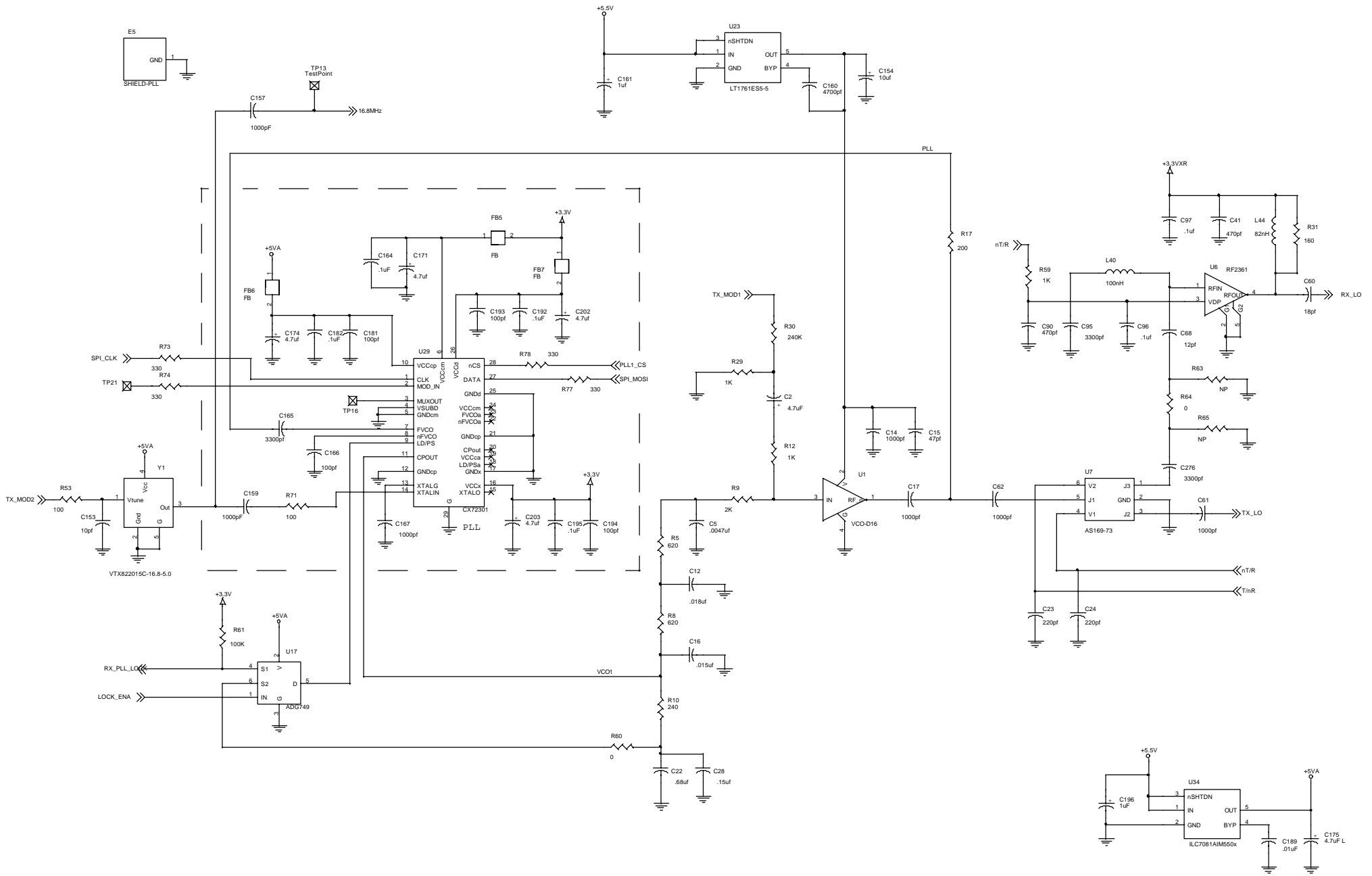
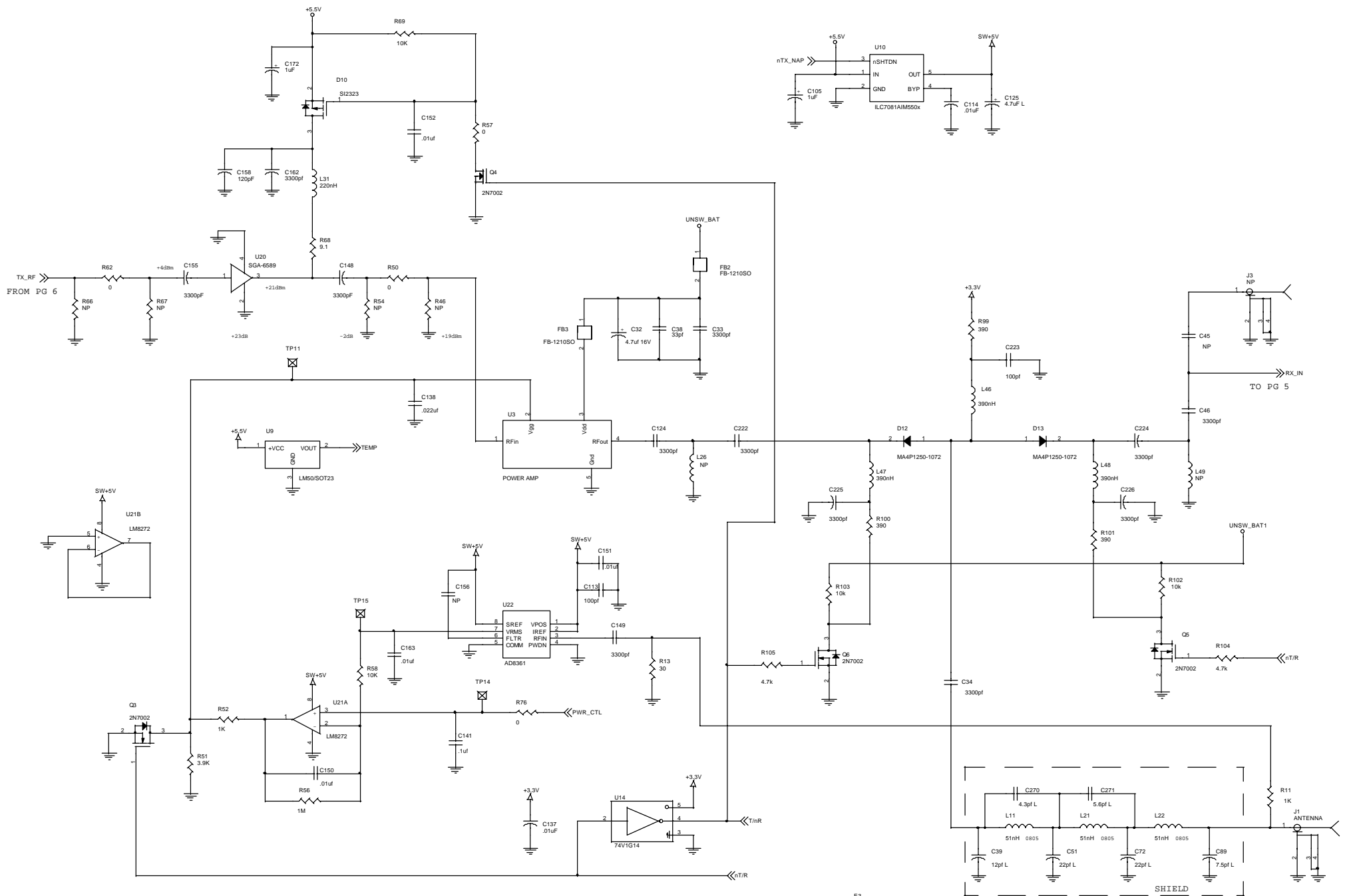


*NOTE: Individual replacement parts are not available for the RF board, so the entire board must be replaced if it is defective.*

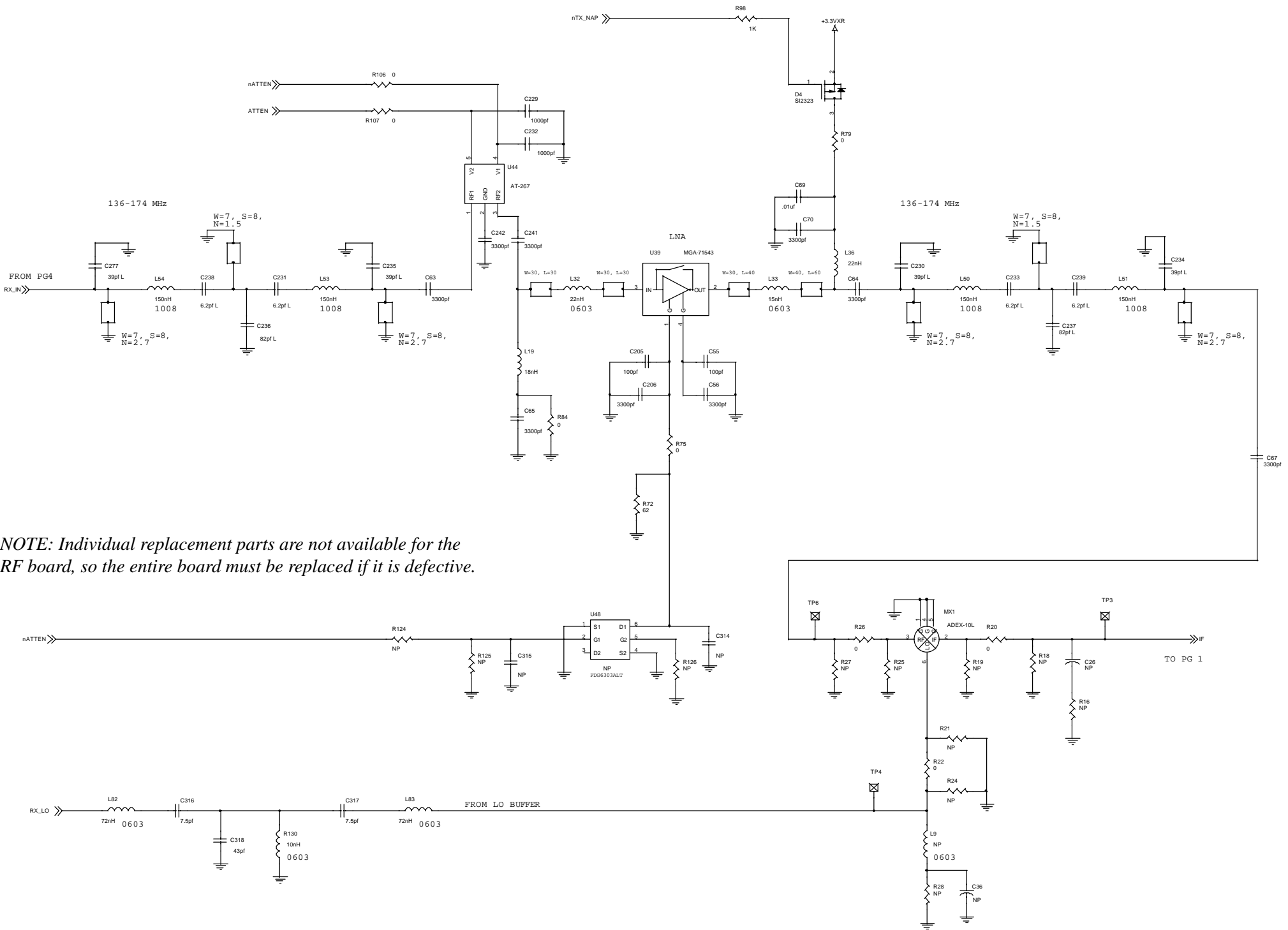




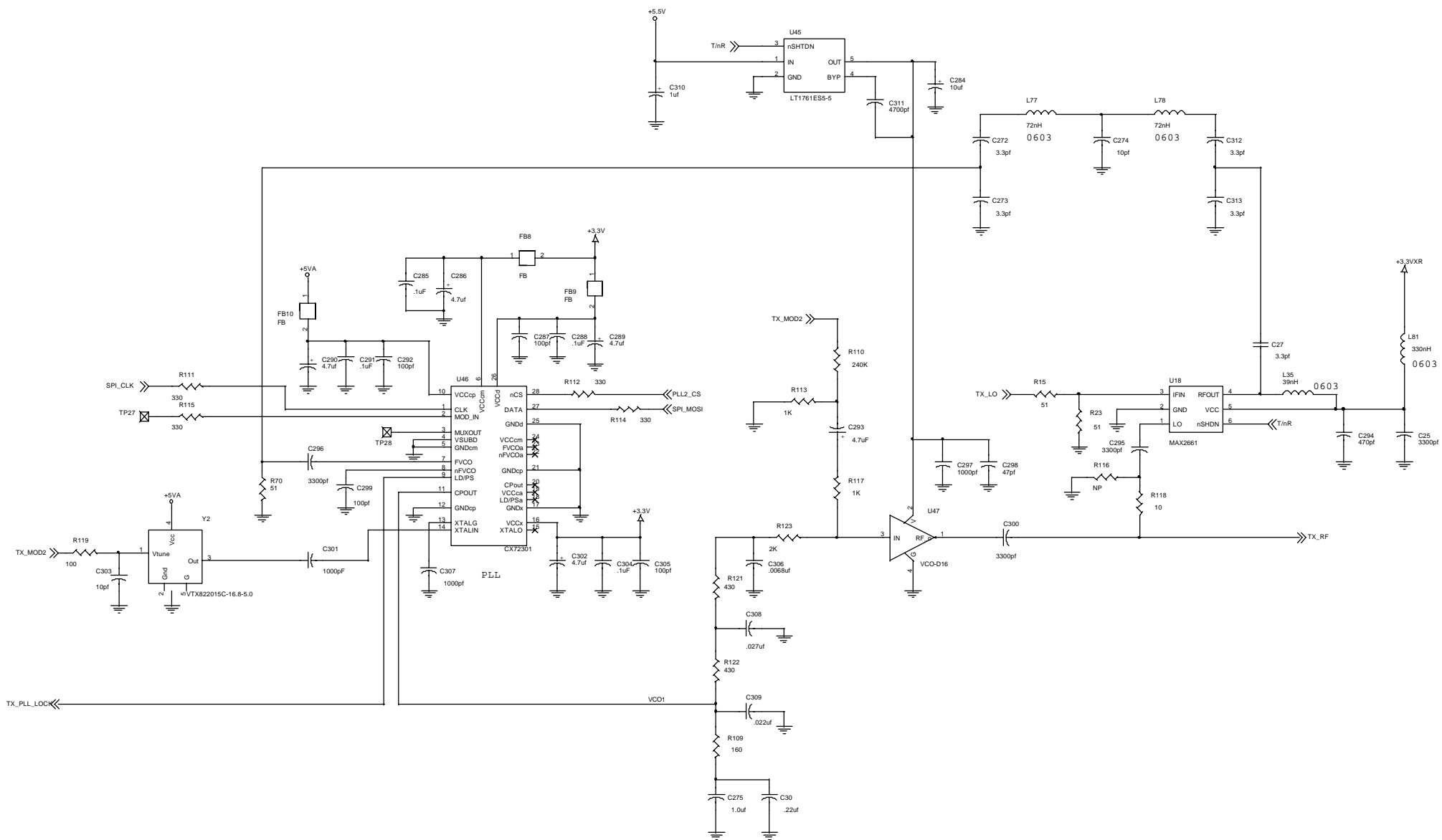
*NOTE: Individual replacement parts are not available for the RF board, so the entire board must be replaced if it is defective.*



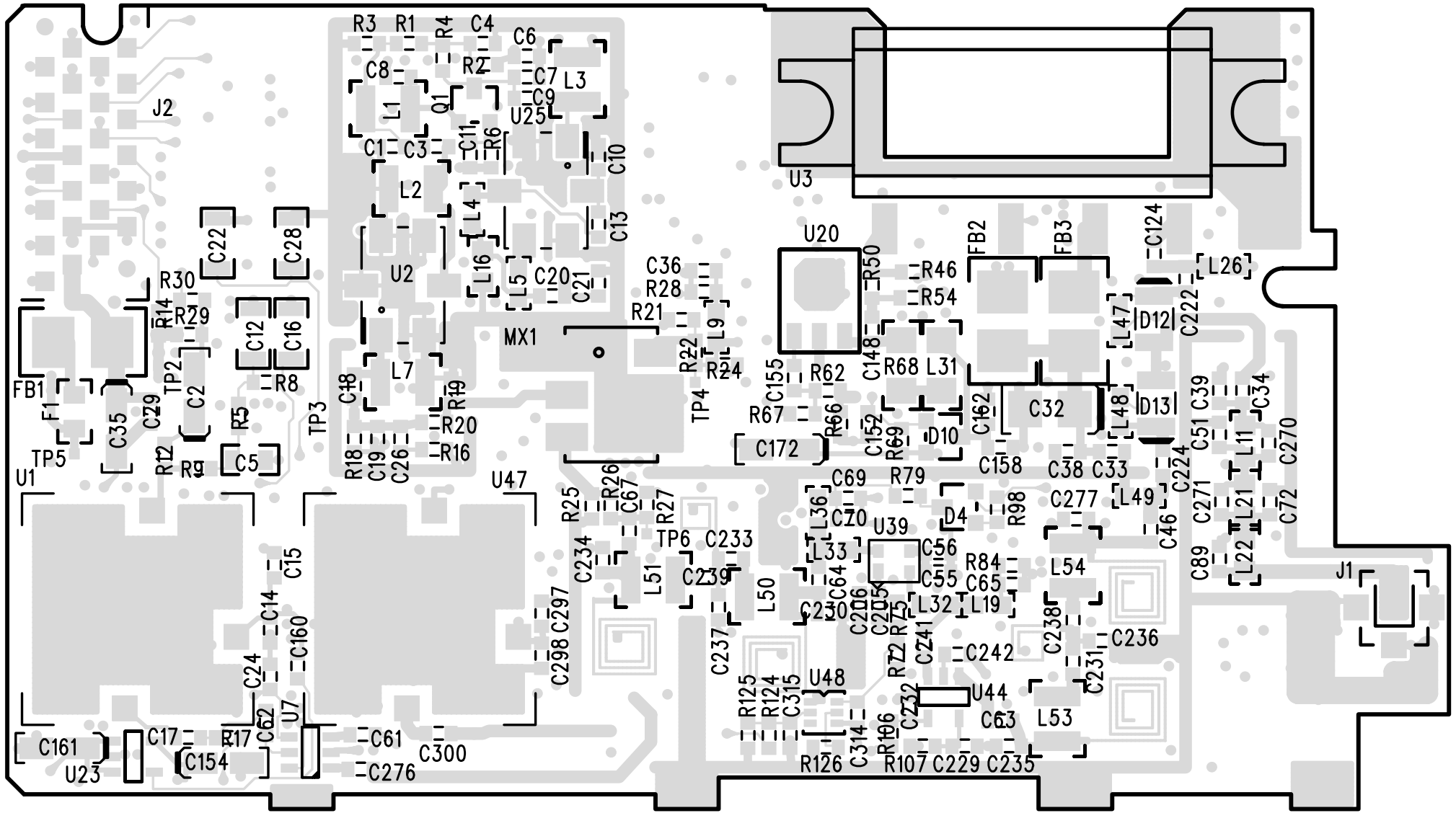
NOTE: Individual replacement parts are not available for the RF board, so the entire board must be replaced if it is defective.



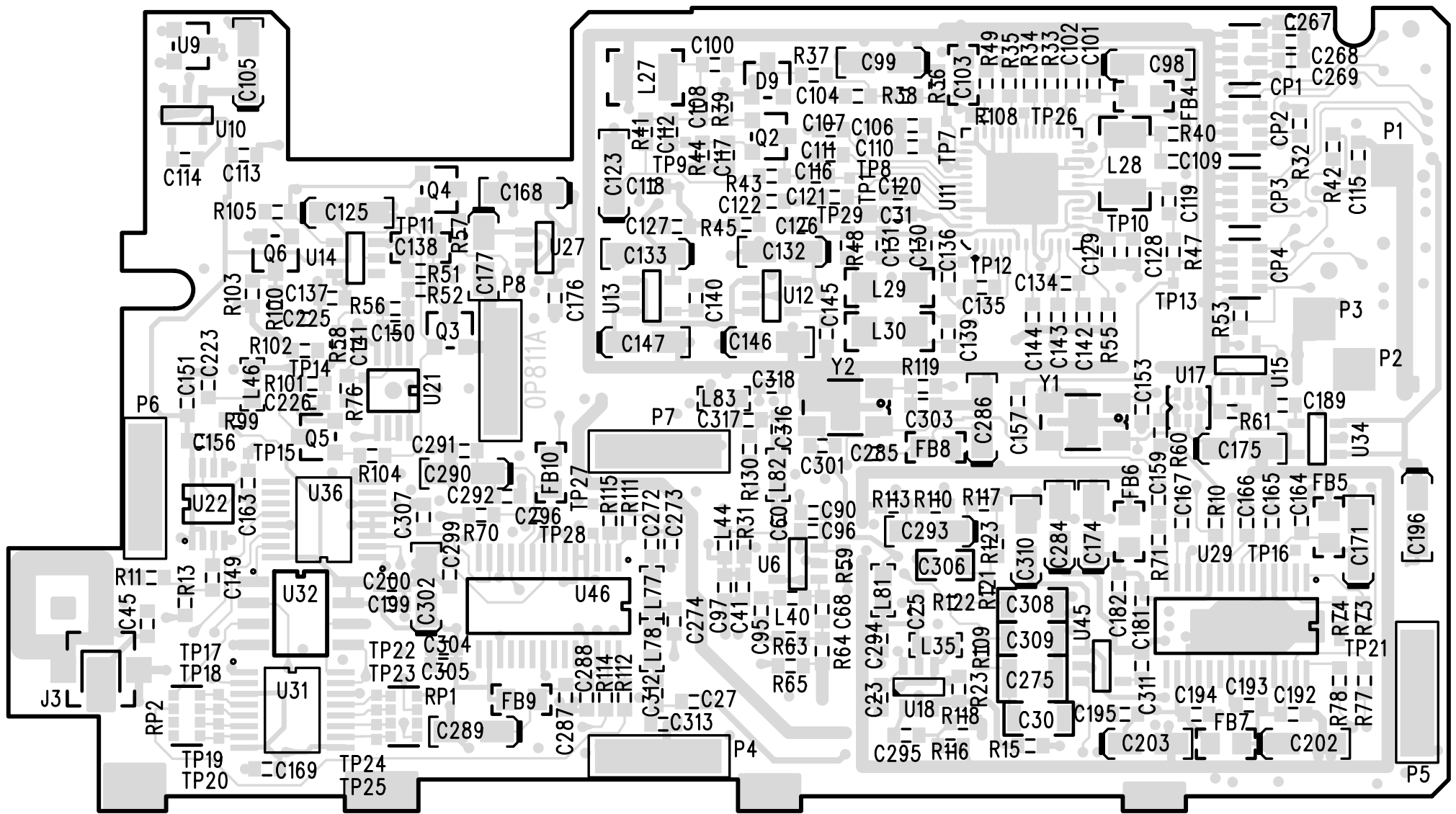
NOTE: Individual replacement parts are not available for the RF board, so the entire board must be replaced if it is defective.



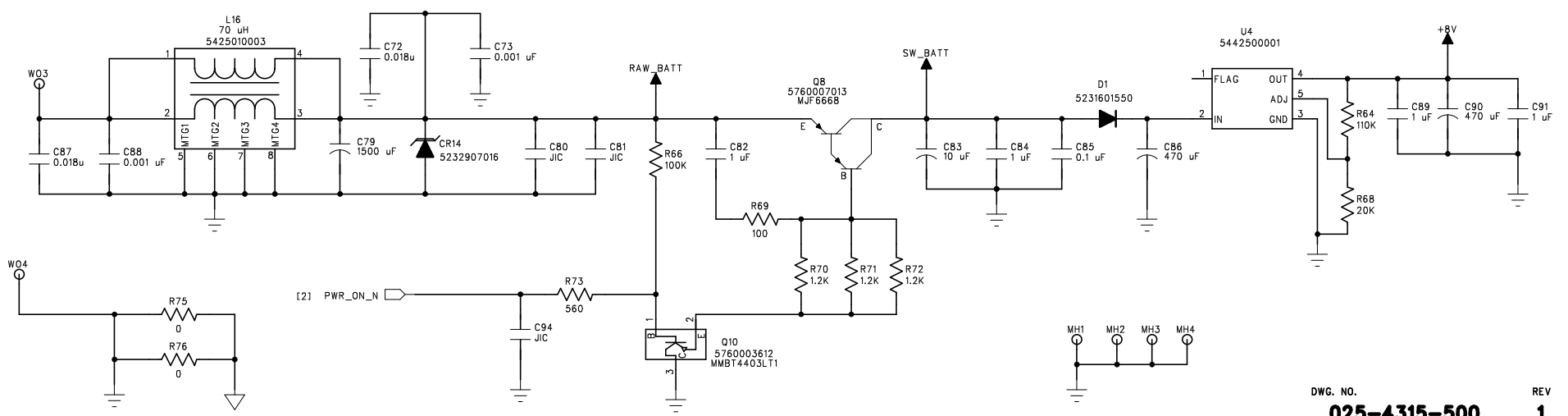
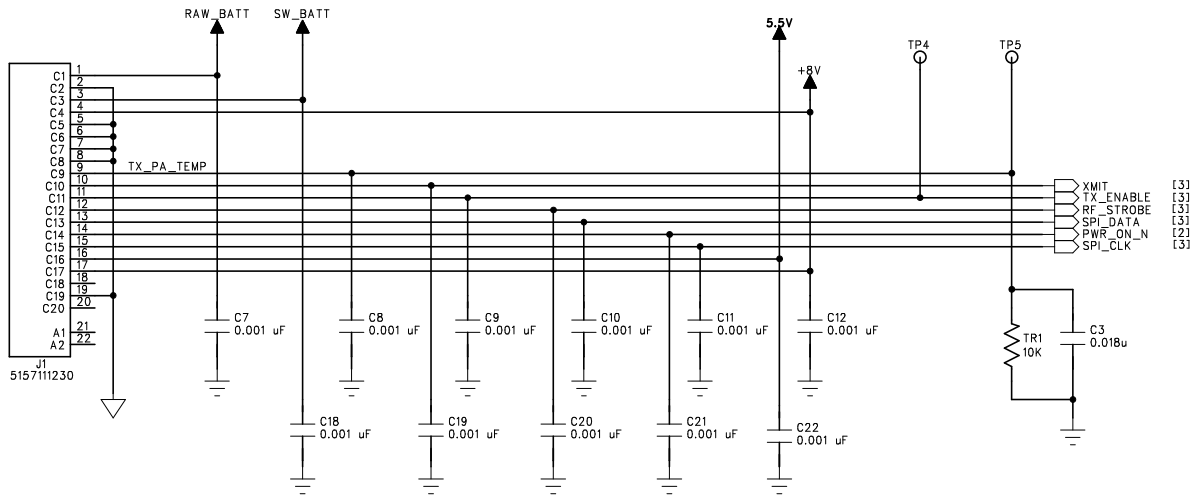
*NOTE: Individual replacement parts are not available for the RF board, so the entire board must be replaced if it is defective.*



VHF RF BOARD TOP VIEW

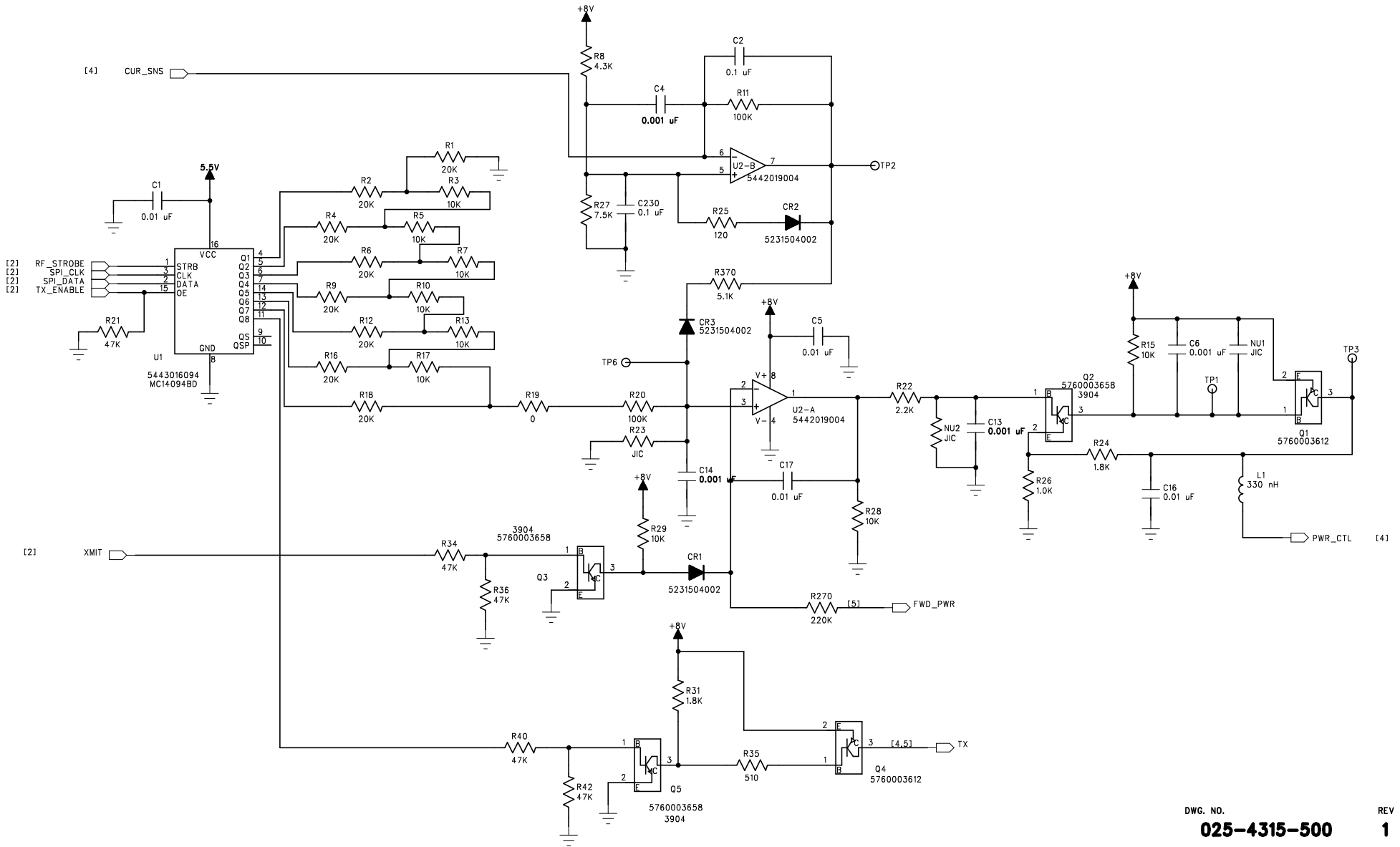


VHF RF BOARD BOTTOM VIEW

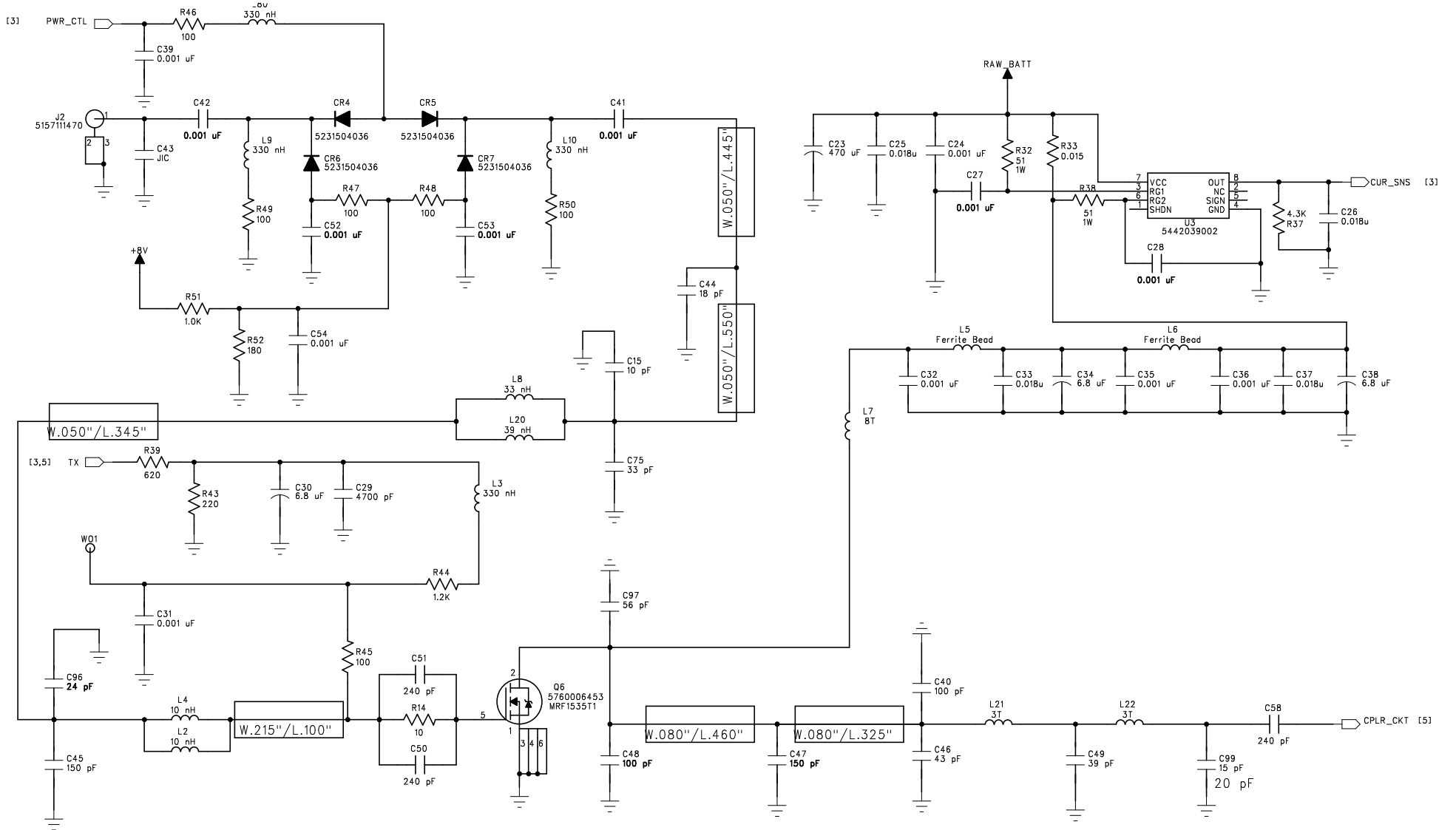


DWG. NO. **025-4315-500** REV **1**





DWG. NO. **025-4315-500** REV **1**



DWG. NO. **025-4315-540** REV **1**