

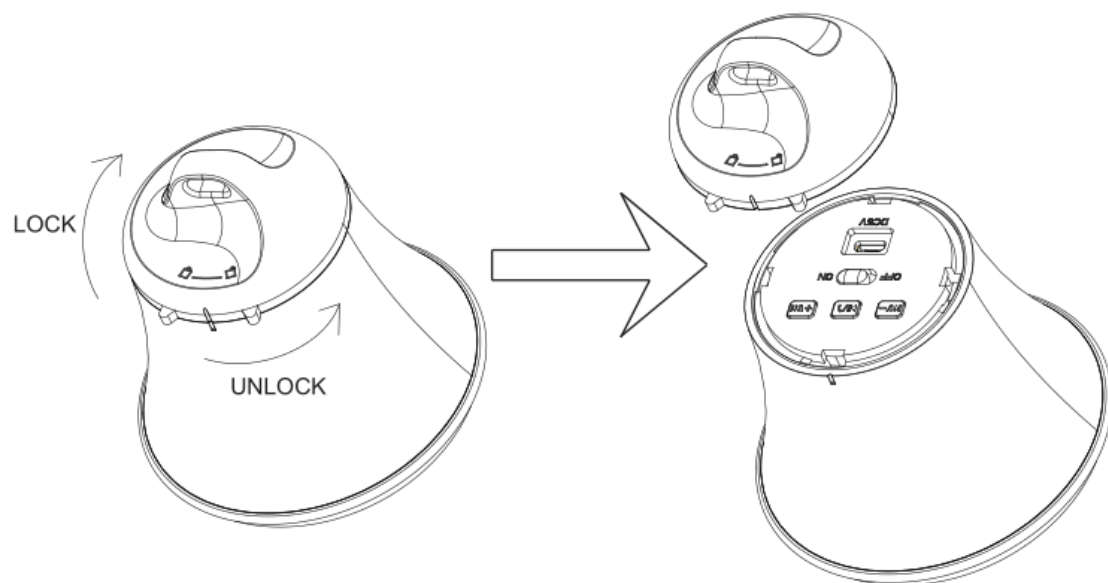
Waterproof Bluetooth Speaker

User Manual

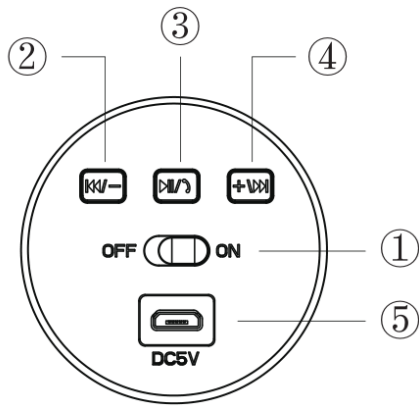
COMPONENTS INCLUDED:

- 1 x Bluetooth Speaker
- 1 x User Manual
- 1 x Charging Cable

DESCRIPTIONS OF EACH KEY:



Note: When you start to play, please be sure the bottom cup covered tightly, otherwise the sound will be bad.



- ① Power On/Off
- ② Short press: Move to previous music; Long press: Volume down
- ③ Short press: Pause or play the music; Double Click: Enter into redial function
- ④ Short press: Move to next music; Long press: Volume up

BLUETOOTH SPEAKER OPERATION:

>>Turn on the speaker, Blue indicator light will flash rapidly to detect nearby Bluetooth enabled devices.

>> Look for pairing name “7198-08” appear on the list of Bluetooth devices from your device. Type password “0000” or “1234” if requested.

>>Once unit is successfully paired and connected. Blue lights stop to flashing and always on.

SOFT REMIND:

The waterproof grade is IPX6, when you float it on water, you should screw the bottom cup tightly, otherwise will damage this speaker!.Do not try to sink this speaker under the water otherwise it will damage.

SAFTY INFORMATION:

Avoidsources of intense heat or flame.

Do not insert metal objects into item. (Short circuit risk)

Do not attempt to repair the device. Rather, contact a service Professional.

FCC STATEMENT :

This device complies with Part 15 of the FCC Rules. Operation is subject to the following two conditions:

- (1) This device may not cause harmful interference, and
- (2) This device must accept any interference received, including interference that may cause undesired operation.

Warning: Changes or modifications not expressly approved by the party responsible for compliance could void the user's authority to operate the equipment.

NOTE: This equipment has been tested and found to comply with the limits for a Class B digital device, pursuant to Part 15 of the FCC Rules. These limits are designed to provide reasonable protection against harmful interference in a residential installation. This equipment generates uses and can radiate radio frequency energy and, if not installed

and used in accordance with the instructions, may cause harmful interference to radio communications. However, there is no guarantee that interference will not occur in a particular installation. If this equipment does cause harmful interference to radio or television reception, which can be determined by turning the equipment off and on, the user is encouraged to try to correct the interference by one or more of the following measures:

- Reorient or relocate the receiving antenna.

- Increase the separation between the equipment and receiver.

- Connect the equipment into an outlet on a circuit different from that to which the receiver is connected.

- Consult the dealer or an experienced radio/TV technician for help.

RF warning statement:

The device has been evaluated to meet general RF exposure requirement. The device can be used in portable exposure condition without restriction.