



2.4G Digital Wireless Video Baby Monitor

### **Important Safety Precautions Before Setting Up**

Before operating your Wireless Baby Monitor, please read all these safety and operating instructions completely and then retain for future reference.

1. Your Baby Monitor is designed to be an aid and should not be used as a substitute for responsible and proper adult supervision.
2. Do not place the camera on any surface or mount it on any wall where the camera or its AC adapter cord are within reach of baby.
3. Never place the camera inside your baby's cot, bed or playpen.
4. Never cover the camera and monitor (e.g. with clothes, towels or blankets).
5. Position the camera, monitor and AC adapters to allow adequate ventilation.
6. Never use or place your camera and monitor in moist places or near water. For example, do not use near a bathtub, washbowl, laundry tub, kitchen sink, in a wet basement. etc.

**7.To prevent overheating, keep the camera, monitor and AC adapters away from heat sources such as radiators, heat registers, stoves or other appliances (including amplifiers) which produce heat.**

**8.Keep the camera out of direct sunlight.**

**9.Disconnect the AC adapters from wall outlets during long periods of non-use.**

**10.Use only the AC adapters provided. Use of any others may damage the camera and/or monitor.**

**11.If travelling abroad, make sure that the voltage shown on the mains power adapter corresponds to the local mains power before connecting to the power supply.**



**The wireless Digital video baby monitor successfully uses digital spread spectrum wireless technology to realize the performance of interference free and 100% privacy.**

**The performance itself satisfies the strong demand of solutions for a baby monitor. That gives you peace of mind and reassurance.**

## Contents

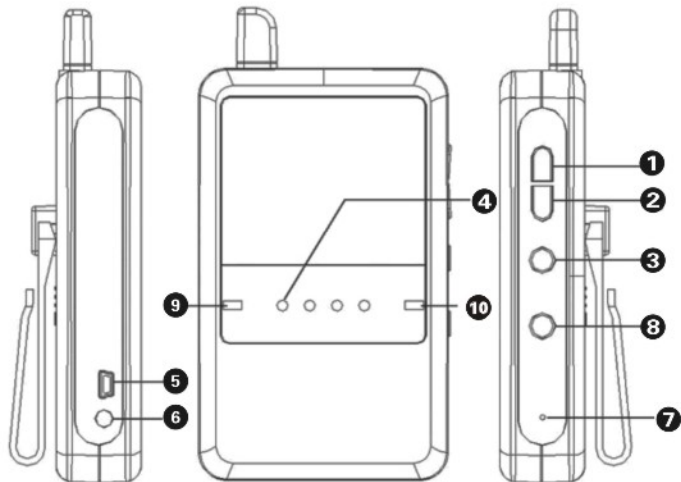
<b>Features.....</b>	<b>2</b>
<b>Monitor Layout.....</b>	<b>3</b>
<b>Camera Layout.....</b>	<b>4</b>
<b>LCD Display.....</b>	<b>5</b>
<b>Parent Unit.....</b>	<b>7</b>
<b>Child Unit.....</b>	<b>22</b>
<b>Care and Maintenance.....</b>	<b>23</b>

## **Features**

- \* 100% Digital Technology
- \* Digital signal for crystal clear clarity
- \* Digital security for complete privacy, no neighbors can hear and see
- \* Digital zoom with selectable regions
- \* Adjustable volume level, auto camera exposure and video timeout to save energy
- \* Signal strength indicator
- \* WiFi Free
- \* Dynamic audio strength indicators
- \* Intelligent voice activity detector to lower noise and save battery
- \* Two transmission mode selection: Video& Audio or Audio Only
- \* Sleep mode with VOX selection
- \* Support Multi-Language (Maxim 3 Languages)

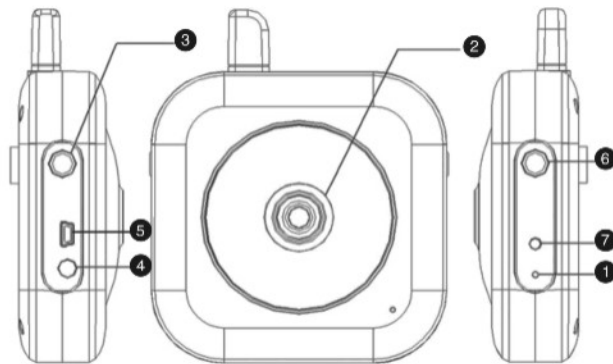
## MONITOR

- ① Volume Up / Up
- ② Volume Down / Down
- ③ Ok / Menu
- ④ Voice indicate LED's
- ⑤ USB Port
- ⑥ DC Socket
- ⑦ Reset
- ⑧ On/Off/Esc
- ⑨ Power indicator LED
- ⑩ Signal LED



## CAMERA

- ① OK
- ② Lens
- ③ Reset
- ④ DC Socket
- ⑤ USB Port
- ⑥ On/Off/Esc
- ⑦ Power indicator LED





## LCD DISPLAY:

📶 Thu 07/10 09:59AM 🔔 🔋



## Signal Icon

The Signal Icon displays as 📶 which works similar to the mobile phone, the signal bar can change as per the signal is strong or weak.

### **Battery Icon**

There are 4 levels to indicate the  battery capacity. For full battery capacity, the bar is solid.  For low battery, the bar will become blank and starts to blink. 

### **Alarm Icon**

The alarm icon displays  after alarm is setup.

## **Parent Unit**

### **1.Power On/Off**

In Power Off mode, Press On/Off key and hold for three seconds, the unit starts initializing. The Power LED is lighting up, both video and audio start to work, and all operations are ready to use, Press the On/Off key and hold for three seconds, the unit is entering into Power Off mode and the Power LED turns off.

### **2.Battery Operation**

When the battery voltage is above 3.6V, the Power LED is Green, is less than 3.6V the Power LED changes into Red.

### **3.Charging in power off Mode**

When the power adapter is connecting to the unit the system is entering into charging mode. The LCD screen always shows charging till charging completed.

#### **4.Voice indicate function**

4 LED lights to help the parents to take care of the babies when the audio is off.

#### **5.Main Menu Operation**

##### **5.1 Initializing system**

Press On/Off key and hold for three seconds, the unit starts initializing.

##### **5.2 Searching**

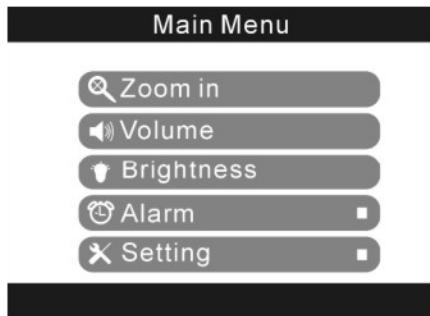
When the parent unit is searching for Child unit or out of range "Searching..." displays on the screen and "beep" warning as well.

### 5.3 Monitoring Video



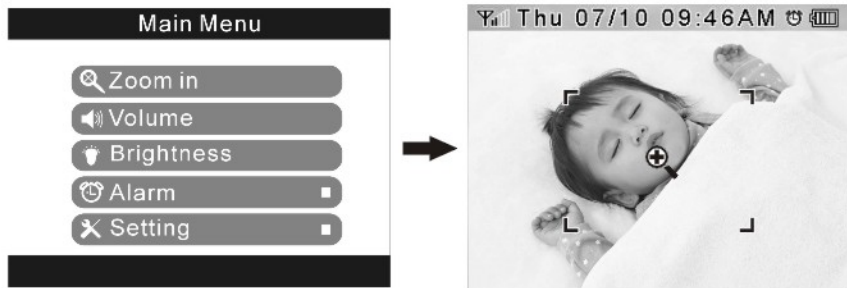
If searched child unit, the parent unit will display the child Video.

## 5.4 In the Monitoring video



Press OK button, move cursor to choose corresponding bar, If nothing is selected for 5 seconds, the display will go back to the Video.

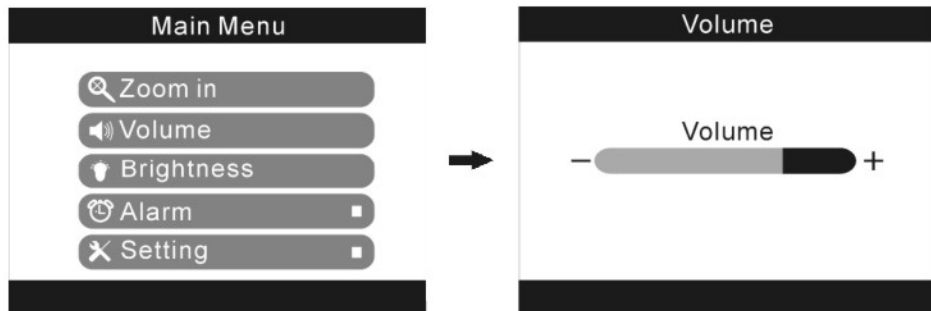
## 5.5.Zoom in Function



In Main Menu, press Ok button, move cursor to select Zoom in , press OK to enter into Zoom in menu.

When the position is displayed, and press OK, the selected position will zoom in by 2x. Press Esc to Exit.

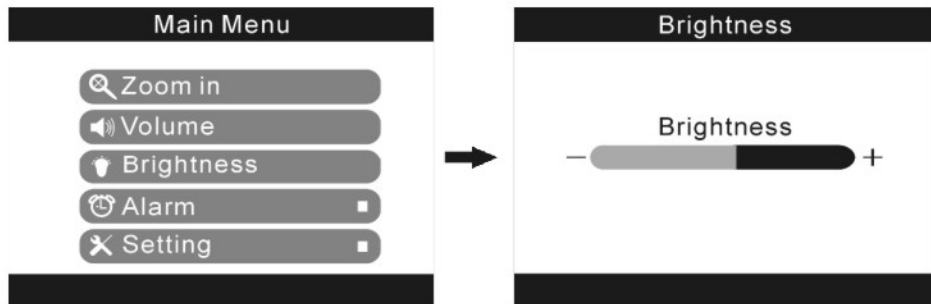
## 5.6 Volume Adjustment



In Main Menu, move cursor to select Volume, press OK to enter into Volume menu.  
Press Up/Down to adjust the volume, press Esc to exit.



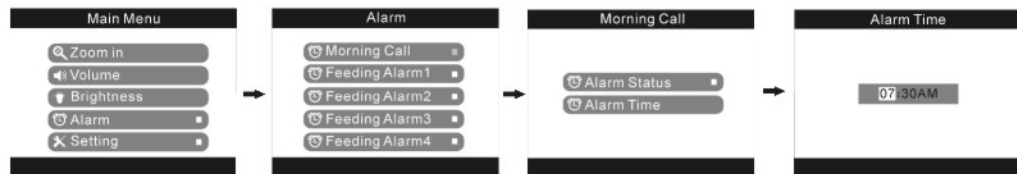
## 5.7 Brightness Adjustment.



In Main Menu, move cursor to select Brightness, press OK to enter into Brightness menu.

Press Up/Down to adjust the Brightness, press Esc to exit.

## 5.8 ALarm Function.



**In Main Menu, move cursor to select Alarm and press OK.**

**Move cursor to Morning call and press OK**

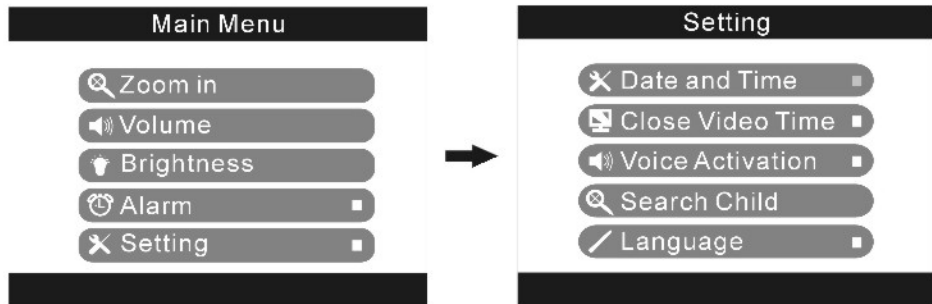
**Move cursor to Alarm Status and press OK, you can choose alarm status on/off.**

**Move cursor to Alarm time and press OK after you choose alarm status “ on ”.**

**The cursor will move to Hour setting first, press Up/Down key to change its value, press OK to confirm the value and then cursor moves to Minute setting. After input Minute value and press OK, it finishes Alarm Time setting and exit the window.**

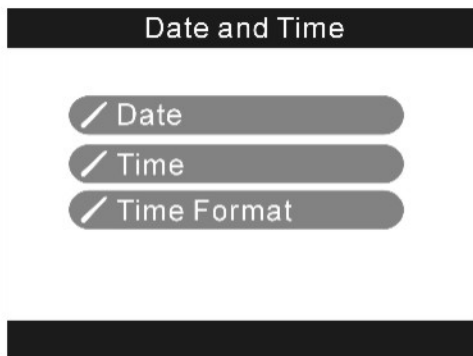
**The time display will follow the Setting -> Time -> Time Format setting (12 hour or 24 hour time)**

## 5.9 Menu Setting



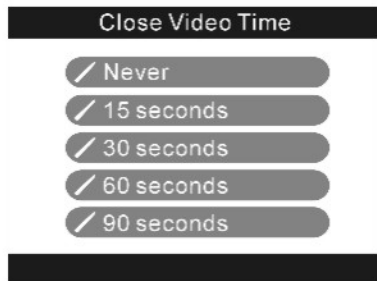
In Main Menu, move cursor to select Setting , press OK to Setting menu.

## 5.10 Date and time settings.



In setting menu, move cursor to select date and time, Press Up/Down to change the digits, Press OK to Confirm, press Esc to return to last Menu

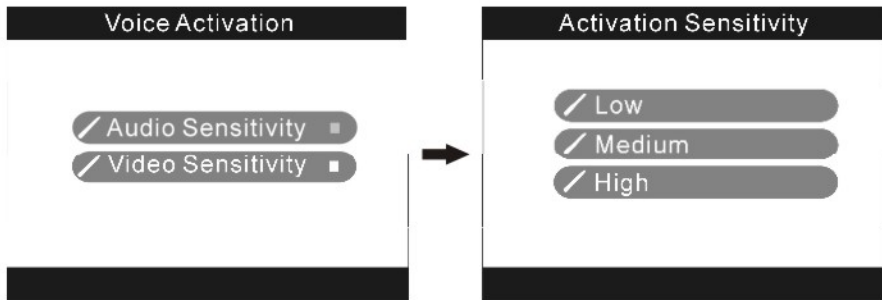
## 5.11 Close video time



In setting menu, move cursor to select Close video time, Press Up/Down to change the timers, Press OK to Confirm, Press Esc to return to last Menu.

If setting up, screen will turn off as per the setting time.

## 5.12 Voice Activation (Sleep Mode)



In setting menu, move cursor to select Voice Activation, move cursor to select audio sensitivity. Press Up/Down to change the sensitivity, Press OK to Confirm, press Esc to return to last Menu.(When Voice Activation is setting up, audio/video will be turned on when the child unit audio is over than setting sensitivity.)

**Note: Sleep mode function will be working after you choose one of the time setting in Close Video Time function.**

### 5.13 Searching child unit



Each unit is paired in factory, if the parent units display searching, enter menu Setting, move cursor to select search child, press Ok and choose Yes, **then press reset button on camera in power on mode**, if pairing success, it will display in the screen, if not, need repeat operation .



## 5.14 Language Setup



English, Espanol, French, Germany, Italian, etc (Maxim 3 languages in one system)

In setting menu, move cursor to select Language Setup, Press Up/Down to change the Language, Press OK to Confirm, press Esc to return to last Menu.

## **Child Unit**

### **1.Power On / Off**

Press On/Off key and hold for 2 second, the unit will enter into Power On mode. The Power LED lights up. Press the On/Off key and hold for 2 second, the unit will enter into Power Off mode and Power LED turns off.

### **2.Backup Battery**

When AC line is off, the unit will enter into battery backup mode automatically. In battery backup mode, If backup battery voltage drops under 3.6V, the Power LED from Green changes into Red.

### **3.IR operation**

When weak environment luminance is detected by light sensor, the IR LED's will turn on automatically. And the IR LED's will turn off if environment luminance become strong enough.

## Care and Maintenance

1. Keep all parts and accessories out of young children's reach.
2. Fingerprints or dirt on the lens surface can adversely affect camera performances. Avoid touching the lens with your fingers.
3. Should the lens become dirty, use a blower to blow off dirt and dust, or a soft dry cloth to wipe the lens.
4. Keep the camera dry. Precipitation, humidity and other Liquids contain minerals that will corrode electronic circuits.
5. Do not use or store in dusty, dirty areas.
6. Do not store in hot areas. High temperatures can shorten the life of electronic devices and warp or melt certain plastics.
7. Do not store in very cold areas. When the system warms up, the moisture can form inside the case, which may damage electronic circuit boards.

8. Do not attempt to open the case. Non-expert handling of the device may damage the system.
9. Avoid dropping or strong shocks.
10. Operate the product using only the power supply include or provided as an accessory.
11. Do not overload electrical outlets or extension cords. This can result in fire or electric shocks.

FCC NOTE:

THIS DEVICE COMPLIES WITH PART 15 OF THE FCC RULES.

OPERATION IS SUBJECT TO THE FOLLOWING TWO CONDITIONS: (1) THIS DEVICE MAY NOT CAUSE HARMFUL INTERFERENCE, AND (2) THIS DEVICE MUST ACCEPT ANY INTERFERENCE RECEIVED, INCLUDING INTERFERENCE THAT MAY CAUSE UNDESIRED OPERATION.

FCC NOTE:

THE MANUFACTURER IS NOT RESPONSIBLE FOR ANY RADIO OR TV INTERFERENCE CAUSED BY UNAUTHORIZED MODIFICATIONS TO THIS EQUIPMENT. SUCH MODIFICATIONS COULD VOID THE USER' S AUTHORITY TO OPERATE THE EQUIPMENT.



(b) For a Class B digital device or peripheral, the instructions furnished the user shall include the following or similar statement, placed in a prominent location in the text of the manual:

NOTE: This equipment has been tested and found to comply with the limits for a Class B digital device, pursuant to Part 15 of the FCC Rules. These limits are designed to provide reasonable protection against harmful interference in a residential installation. This equipment generates, uses and can radiate radio frequency energy and, if not installed and used in accordance with the instructions, may cause harmful interference to radio communications. However, there is no guarantee that interference will not occur in a particular installation. If this equipment does cause harmful interference to radio or television reception, which can be determined by turning the equipment off and on, the user is encouraged to try to correct the interference by one or more of the following measures:

- Reorient or relocate the receiving antenna.
- Increase the separation between the equipment and receiver.
- Connect the equipment into an outlet on a circuit different from that to which the receiver is connected.
- Consult the dealer or an experienced radio/TV technician for help.

