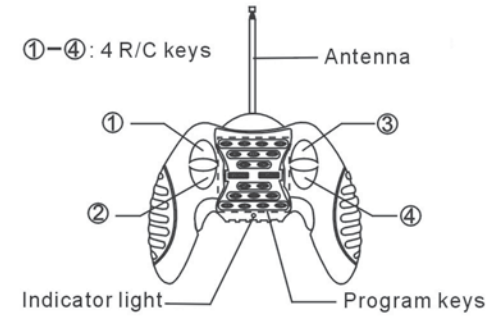
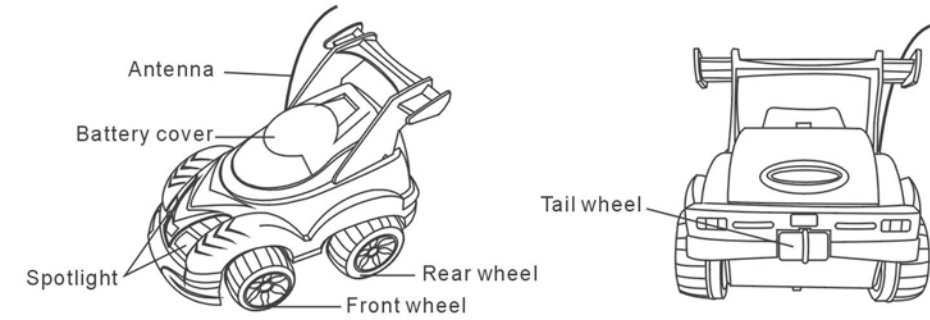


USER'S MANUAL FOR Programmable Radio Controlled Car

Model No. El-GL05

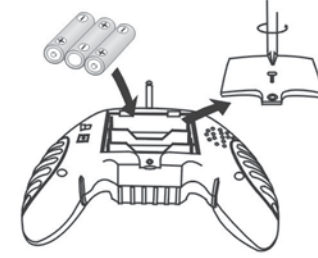
- Not suitable for children under 3.
- Read through this manual before use.
- Use under adult's guidance.

GLOSSARY OF MAIN PARTS



INSTALLING THE CONTROLLER BATTERIES

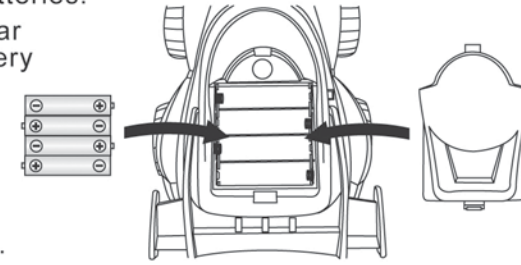
1. The controller's batteries requires: 3 "AA" alkaline batteries.
2. Be sure the switch is on the OFF position, then open the battery cover from the back of the controller with a screwdriver.
3. Install 3 "AA" alkaline batteries as shown, ensure that the positive (+) and negative (-) battery ends are aligned with the "+" and "-" marked inside the battery compartment.
4. Close the battery cover and tight up the screw.



INSTALLING THE CAR BATTERIES

The car requires: 4 "AA" alkaline batteries.

1. Press the tab on the top of the car (near the back) to open the battery compartment.
2. Insert 4 "AA" alkaline batteries into the battery compartment. Ensure that the positive (+) and negative (-) battery ends are aligned with the (+) and (-) marked inside the compartment.
3. Close the battery cover.
4. Electricity shortage will cause the car slow down or instable operation, once the car slow down or operate instably, you should charge the batteries. Set the switch to the OFF position and start the charging process following the guidance how to charge.



INTRODUCING PROGRAM KEYS

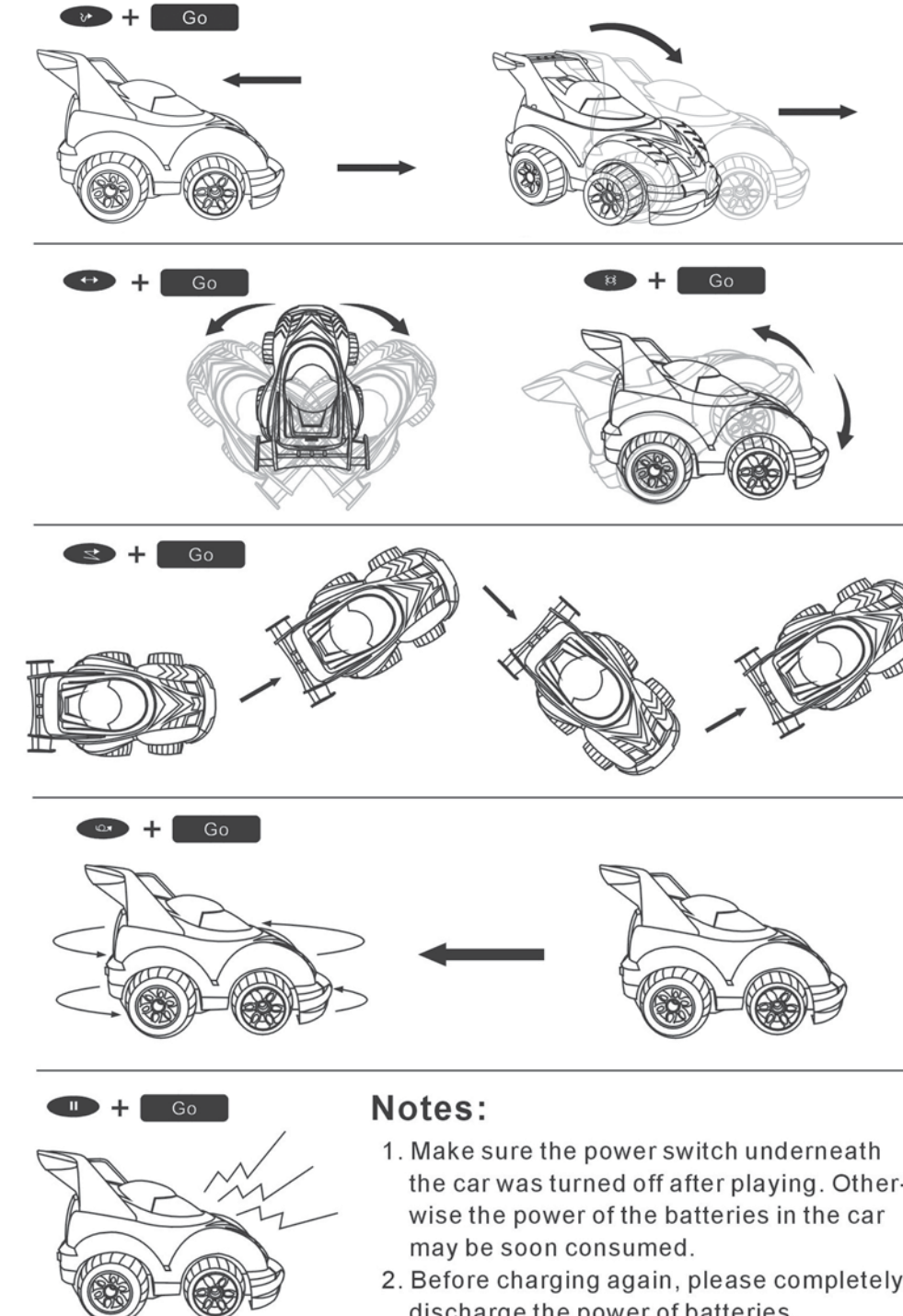
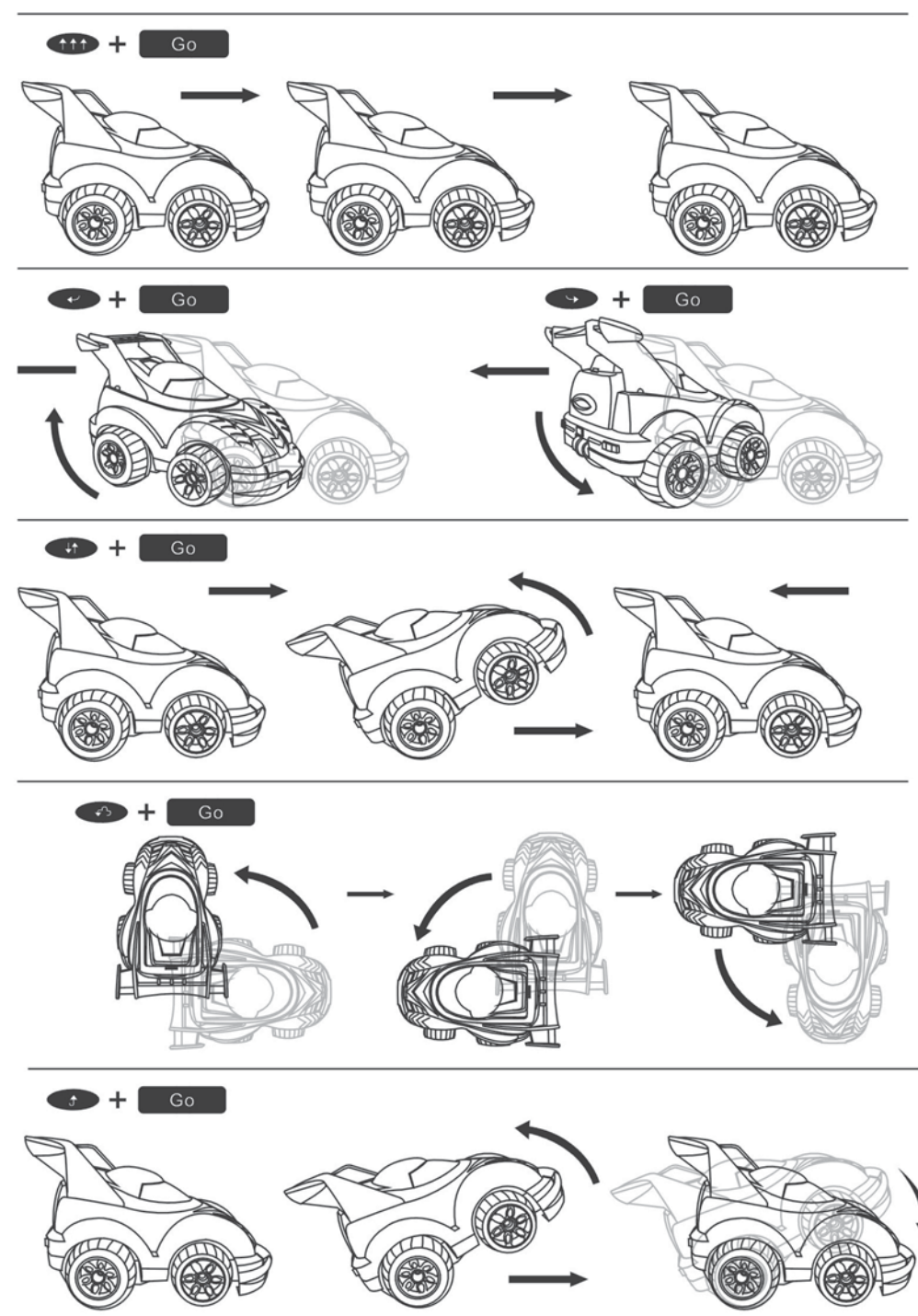
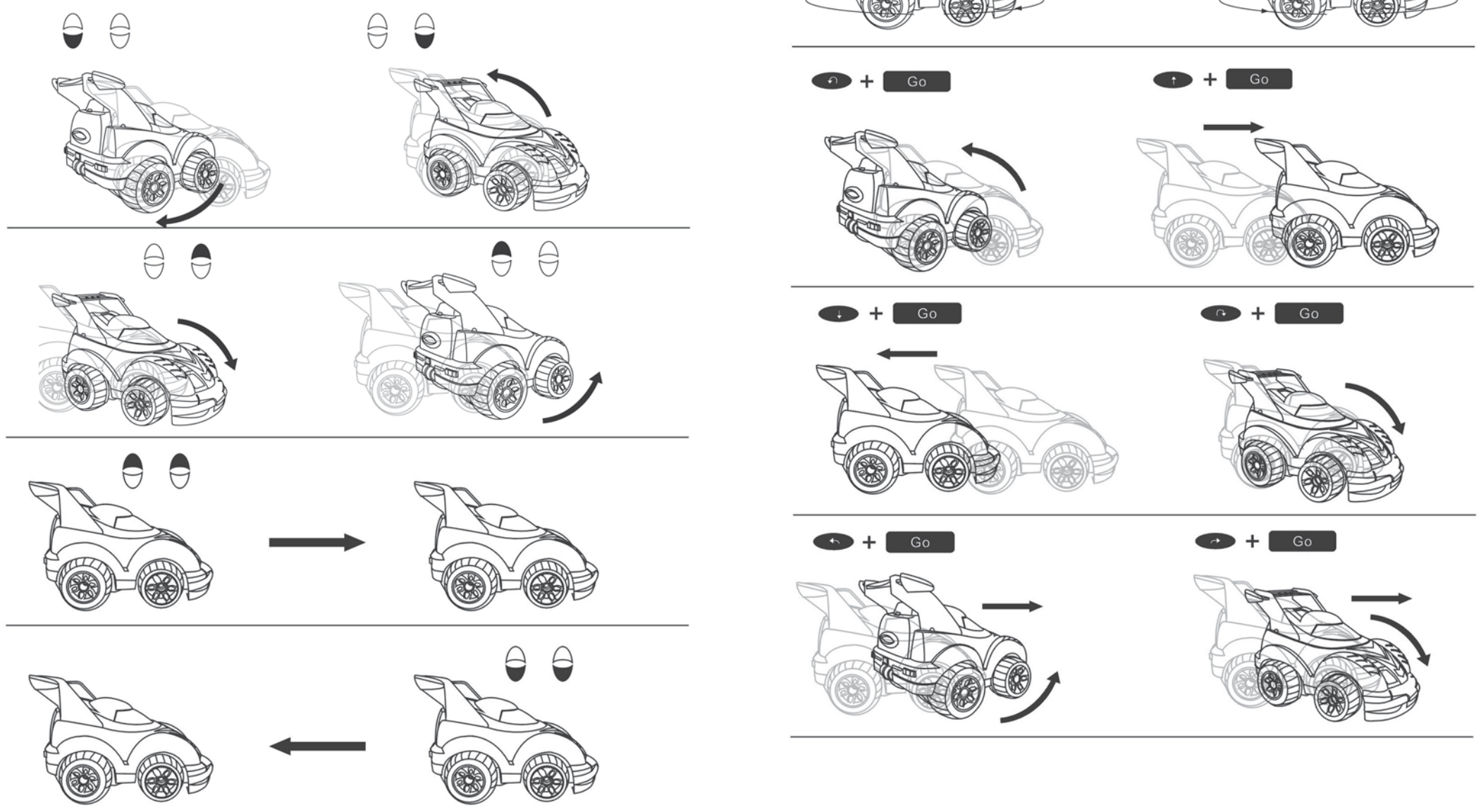
- | | | | |
|--|-----------------------------|--|--|
| | Sharp left turn | | Make 3 consecutive 90 degree rotations |
| | Go forward | | Pop a wheelie |
| | Go backward | | Vibrate |
| | Sharp right turn | | Go backward, spin 180 degrees, then go forward |
| | Go left | | Swing 60 degrees 5 times |
| | Speed up | | Zig-zag forward 5 times |
| | Go right | | Hold still and blow the horn 3 times |
| | Reverse to the left | | Reverse and rotate 720 degrees |
| | Reverse to the right | | Demonstrate the full function |
| | Pop a wheelie, then reverse | | Perform the selected maneuvers |

Note:

1. Turn on the switch, press all of the keys to program full function.
2. Press any one of the keys and "GO", the car will perform a function.
3. Press "Demo", the car will demonstrate full function.

OPERATIONS METHOD

1. Fully extend the antenna on the controller.
2. Turn on the switch of the car and controller.
3. Use the controller to control the car to perform various stunts.



Notes:

1. Make sure the power switch underneath the car was turned off after playing. Otherwise the power of the batteries in the car may be soon consumed.
2. Before charging again, please completely discharge the power of batteries.

SAFETY CAUTIONS

1. Never give this toy to children under 3.
2. Do not try to catch the car by hand while it is in action.
3. Do not allow children to disassemble the transmitter or the car by themselves.
4. If the car is broken during use, it should be checked or repaired by adults.
5. Don't mix new and old or different type of batteries.
6. Remove the batteries from the car and controller when not using for a long time

90-DAY WARRANTY

EXCALIBUR ELECTRONICS, INC., warrants to the original consumer that its products are free from any electrical or mechanical defects for a period of 90 DAYS from the date of purchase. If any such defect is discovered within the warranty period, EXCALIBUR ELECTRONICS, INC., will repair or replace the unit free of charge upon receipt of the unit, shipped postage prepaid and insured to the factory address shown below.

The warranty covers normal consumer use and does not cover damage that occurs in shipment or failure that results from alterations, accident, misuse, abuse, neglect, wear and tear, inadequate maintenance, commercial use, or unreasonable use of the unit. Removal of the top panel voids all warranties. This warranty does not cover cost of repairs made or attempted outside of the factory.

Any applicable implied warranties, including warranties of merchantability and fitness, are hereby limited to 90 DAYS from the date of purchase. Consequential or incidental damages resulting from a breach of any applicable express or implied warranties are hereby excluded. Some states do not allow limitations on the duration of LIMITED 90-DAY WARRANTY implied warranties and do not allow exclusion of incidental or consequential damages, so the above limitations and exclusions in these instances may not apply.

The only authorized service center in the United States is:

Excalibur Electronics, Inc.
13755 SW 119th Ave
Miami, Florida 33186 U.S.A.
Phone: 305.477.8080
Fax: 305.477.9516
www.ExcaliburElectronics.com

Ship the unit carefully packed, preferably in the original carton, and send it prepaid, and adequately insured. Include a letter, detailing the complaint and including your daytime telephone number, inside the shipping carton. If your warranty has expired and you want an estimated fee for service, write to the above address, specifying the model and the problem.

NOTE: Please do not send your unit without first receiving an estimate for servicing from EXCALIBUR ELECTRONICS, INC. Contact us before sending your unit. We cannot store your unit!

WARNING:
CHOKING HAZARD - Small parts
Not for children under 3 Years

Model No. EI-GL05

Warning:

Changes or modifications not expressly approved by the party responsible for compliance could void the user's authority to operate the equipment.

NOTE:

This equipment has been tested and found to comply with the limits for a Class B digital device, pursuant to Part 15 of the FCC Rules. These limits are designed to provide reasonable protection against harmful interference in a residential installation. This equipment generates, uses and can radiate radio frequency energy and, if not installed and used in accordance with the instructions, may cause harmful interference to radio communications.

However, there is no guarantee that interference will not occur in a particular installation. If this equipment does cause harmful interference to radio or television reception, which can be determined by turning the equipment off and on, the user is encouraged to try to correct the interference by one or more of the following measures:

- Reorient or relocate the receiving antenna.
- Increase the separation between the equipment and receiver.
- Connect the equipment into an outlet on a circuit different from that to which the receiver is connected.
- Consult the dealer or an experienced radio/TV technician for help.