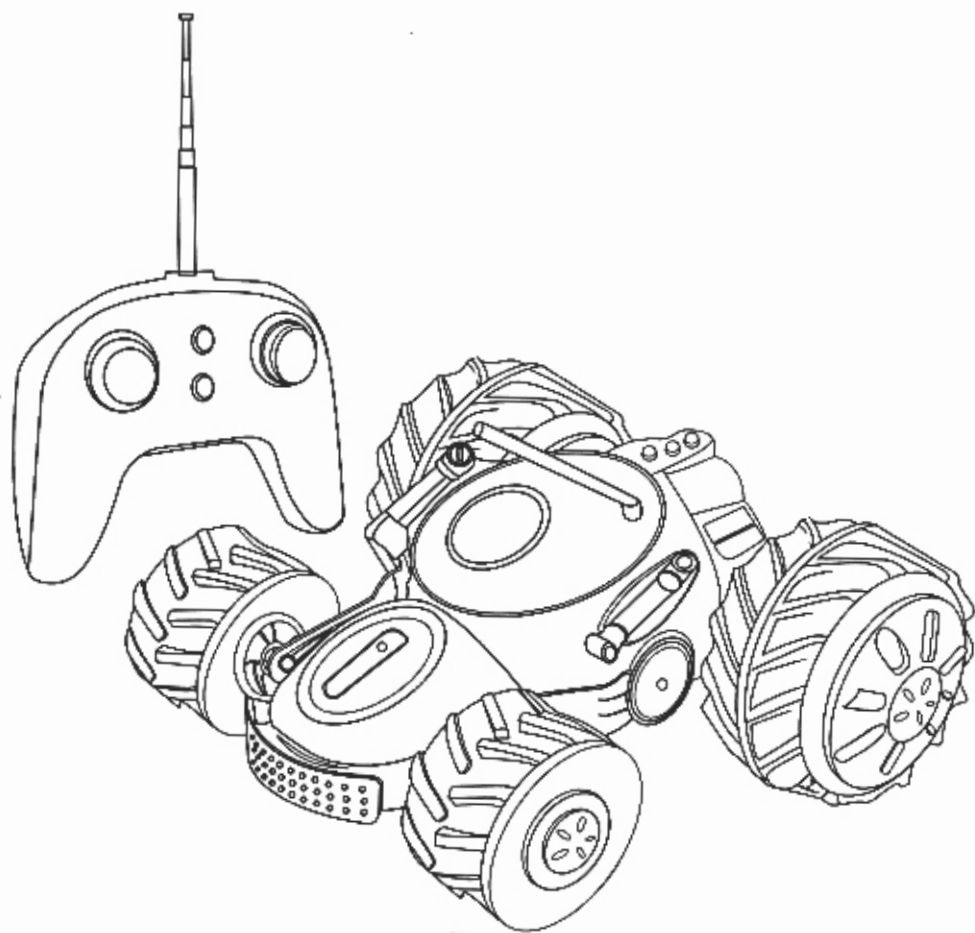




RC METAL DETECTOR INSTRUCTION MANUAL



WARNING!

- Do not expose your Metal Detector to rain or moisture.
- Do not play in a crowded environment.
- Do not play in a dusty area.
- Use only your Metal Detector transmitter included in this package.
- This toy is not intended for children under 3 years old.
- This instruction manual contains important information; please keep it.
- Always turn your RC Metal Detector off when not in use.
- Do not use it close to swimming pools, cliffs, lakes, riverbanks, etc.
- Do not use in environments such as low-visibility areas, bushes, and swamps.
- Always ask permission before venturing onto private property.

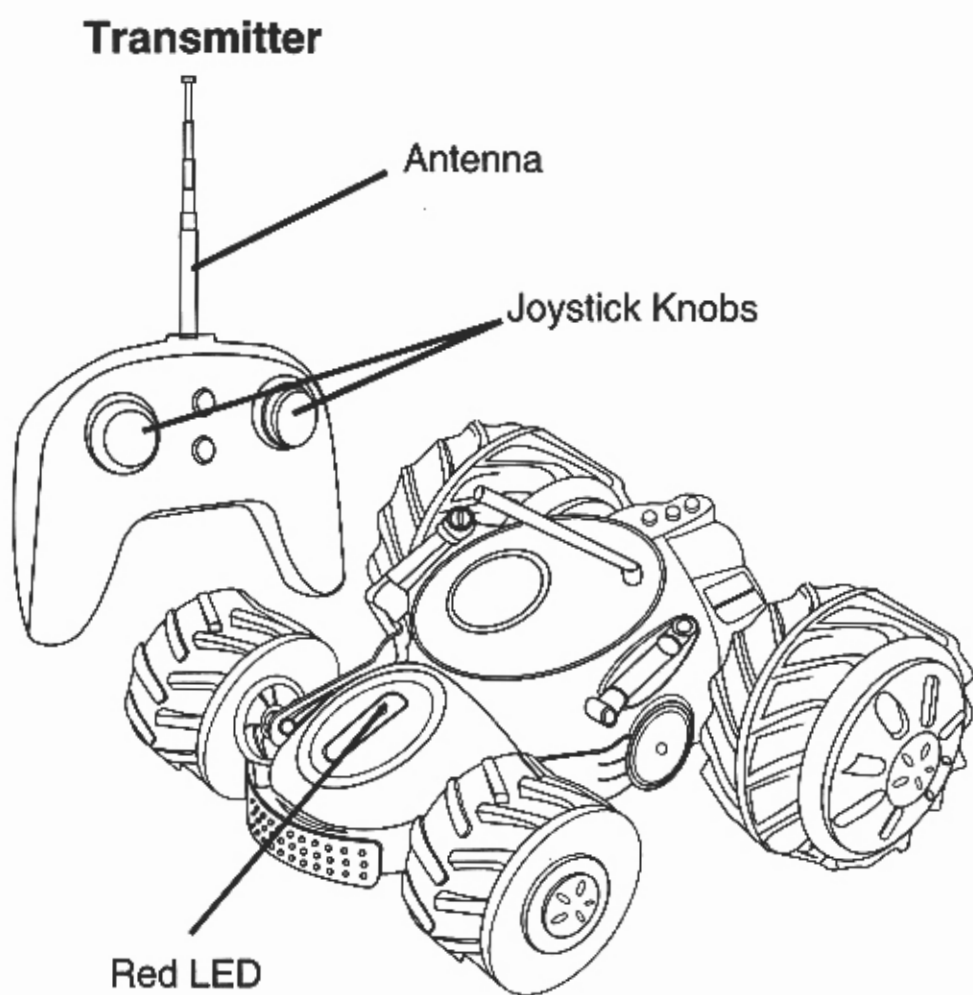
Battery Disposal

- Do not dispose of the battery in your regular household waste.
- Contact your local waste management officials for information on environmentally sound disposal of rechargeable batteries.
- If a battery leak develops, avoid contact with leaking fluid.
Place the damaged battery in a plastic bag for proper disposal.
- If fluid comes into contact with skin or eyes, wash with cool water for at least 15 minutes.

Battery Safety Guidelines

- To prevent battery leakage, be sure to insert batteries correctly.
- Batteries should be replaced by adult.
- Never dispose of batteries in fire as this may cause them to explode.
- Do not mix old and new batteries (replace all batteries at the same time).
- Do not mix alkaline, standard (carbon-zinc), or rechargeable (nickel-cadmium) batteries (or equivalent). Only use batteries of the same or equivalent type as recommended.
- Nonrechargeable batteries are not to be recharged.
- Always remove exhausted or dead batteries from product. Remove batteries from product when it will not be used for a long time. Otherwise the batteries may leak and cause damage.
- Do not short-circuit supply terminals.
- Make sure battery compartment is secure.
- Do not immerse battery-operated toys. Wipe clean only.

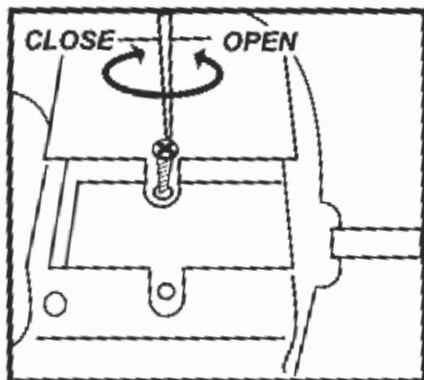
Contents:



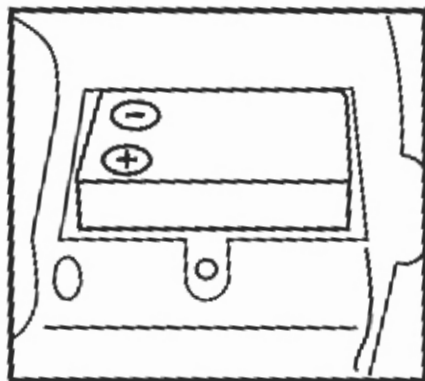
RC Metal Detector

Battery Installation:

For Transmitter:

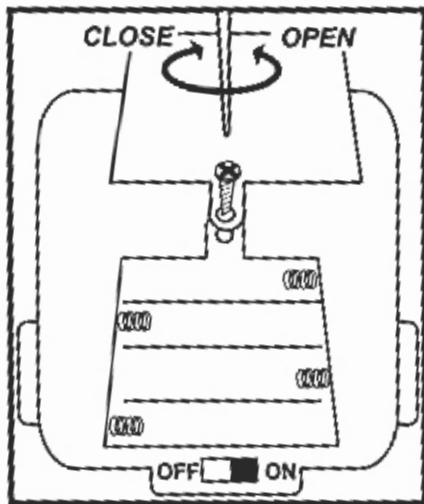


1) Open or close the cover with a Phillips head screwdriver.

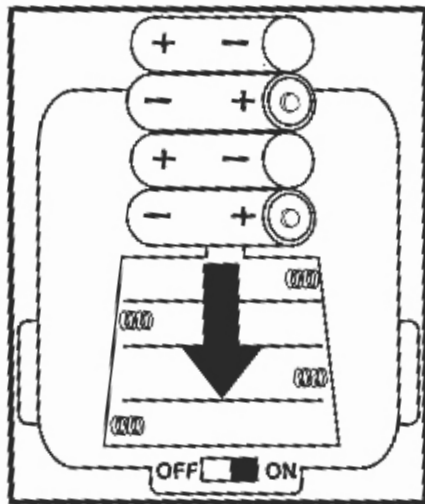


2) Insert one 9V (6LR61) alkaline battery.

For Metal Detector:



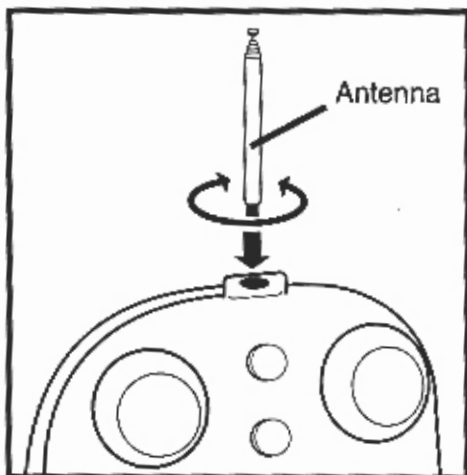
1) Open or close the cover with a Phillips head screwdriver.



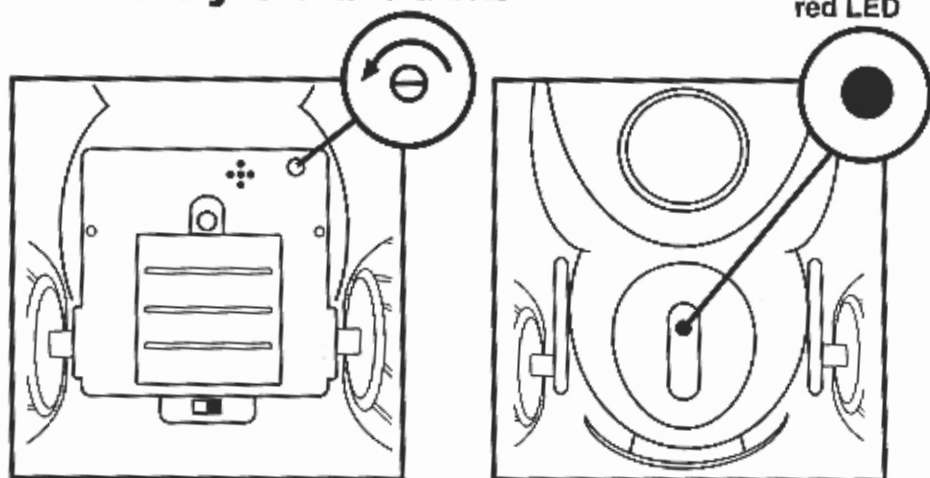
2) Insert four AA (LR6) 1.5V batteries.

Assembly:

For Transmitter:



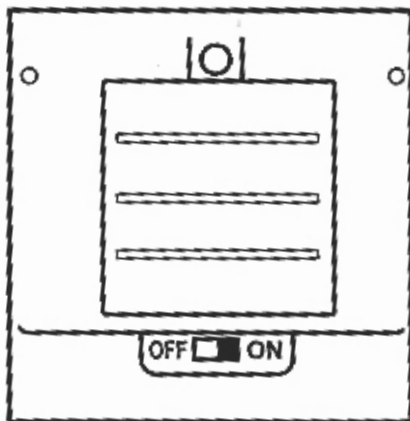
Sensitivity Calibration:



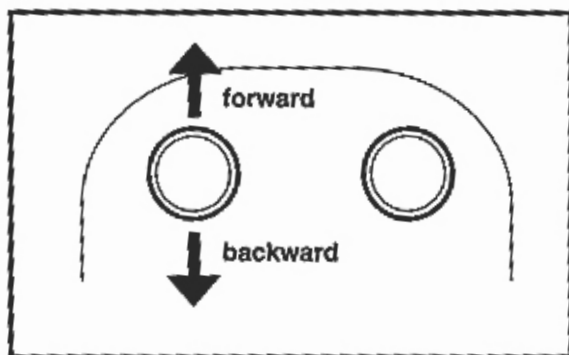
- 1) Adjust the fine-tune knob **counterclockwise**, until long **beep** tone is heard and **red LED** is on.
- 2) Then turn the knob backward slowly until the beep tone is **JUST OFF** and **red LED** is off. **At this moment, the Metal Detector is at its most sensitive.**

Operation:

- 1) Slide the on/off switch to the **On** position.
 - Place the Metal Detector on the surface to be searched.
 - Do not operate the vehicle in soft sand, water, or tall grass as it may damage the vehicle.

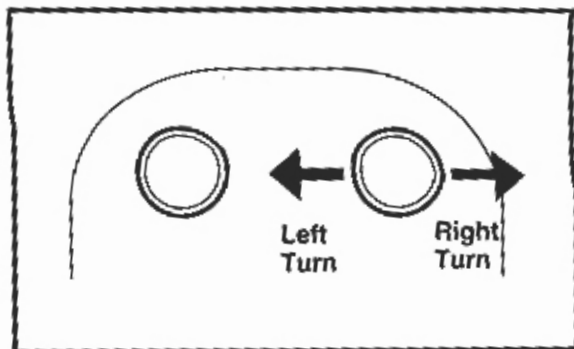


- 2) To move the vehicle **forward**, push **left** joystick knob **forward**.
- 3) To **stop**, release **left** joystick knob to the original position.
- 4) To **back up**, pull **left** joystick knob **backward**.

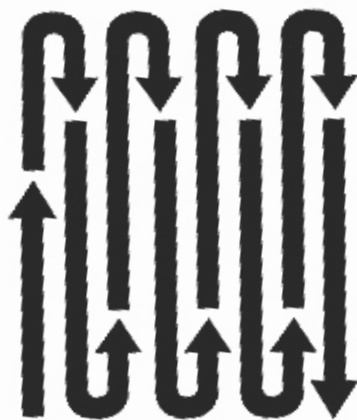


5) To turn **left**, push the **right** joystick knob to the **left**.

6) To turn **right**, push the **left** joystick knob to the **right**.



7) To optimize your search, follow the pattern below.
Make sure that you stay within the 25-foot range.



Search Pattern

8) When the Metal Detector finds a buried metal object,
it will beep and the **LED** light will flash.