

# LBT-HS02

## Bluetooth Headset

### User Manual

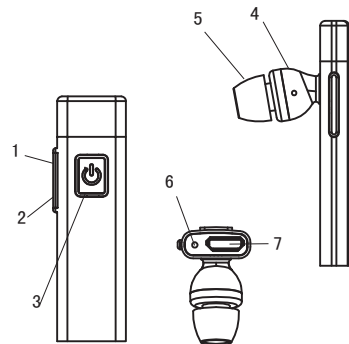
Bluetooth headset should be used with the compatible devices which support bluetooth wireless technology. This allows you the freedom to make any calls at any time. Please read this user manual carefully before using the headset, and also read your device's user manual regarding the bluetooth function, and pay attention to those important safety and maintenance information. Please keep the headset away from children.

## Specifications

Bluetooth Specification	V2.1+EDR
Bluetooth Profiles Supported	Headset, Handsfree
Transmission Power	Class 2
Operation Range	Up to 10 Meters
Frequency Range	2. 4-2. 4835GHz
Battery	Built-in Rechargeable 3.7V /55mAH Li-polymer Battery
Charging Voltage	DC4.75-5.25V
Charging Time	About 2 hours
Talk Time *	Up to 4 hours
Standby Time *	Up to 100 hours
Dimensions(mm)	L53. 5×W15×H6. 5
Weight	About 6.5 g

\*The time mentioned as above may vary due to user's operation mode and device settings.

## Structure Sketch



1. Volume Key+(V+)
2. Volume Key-(V-)
3. Multifunction Button(MFB)
4. Speaker
5. Ear Cap
6. Microphone
7. Charging Socket

## Basic Operations

### Charging Your Headset

- Prior to using the headset for the first time, please fully charge the battery.
- Approximately 2 hours are required to fully charge the headset.
- The indicator light turns red while being charged, and will turn to blue automatically after being fully charged.
- When the headset is running out of battery, the indicator light will flash red(the headset will switch off automatically when the battery is drained). Please charge the headset as above steps in time to prolong the battery's useful life (Charging indication will be delayed for a few minutes if the headset has not been used for a long time or the battery is drained).

### Note:

- Use only the supplied charger to charge the headset, or could be dangerous and obey the validation for this product or the maintenance article.
- Do not attempt to force open the built-in battery as this could damage the headset.
- If left unused, a fully charged headset will lose its power automatically. It is recommended to charge the headset each three months.
- Do not leave the headset in a too hot or too cold condition (best between 15°C and 25°C) which may affect the headset's operations although it is fully charged.
- Do not dispose of the headset into a fire or water.

## Turning on the Headset

In OFF MODE, press and hold MFB until you hear a short beep and the indicator light flashes blue, then the headset will enter into STANDBY MODE.

## Turning off the Headset

In ON MODE, press and hold MFB until you hear a short beep and the indicator light turns off, then the headset will enter into OFF MODE.

## Pairing Your Headset with a Bluetooth Mobile Phone

1. Ensure the headset is off, and the distance between your headset and phone is within 1 meter.
2. Press and hold MFB until the indicator light flashes blue and red alternately as PAIRING MODE.
3. Activate the bluetooth function on the phone, and search bluetooth devices (See the user guide of your phone for instructions).
4. Select headset "LBT-HS02" from the found devices list of the phone.
5. Enter the passkey "0000", and confirm to pair the headset with your phone. (If the pairing cannot be completed within 5 minutes after the PAIRING MODE has been activated, the headset will enter into the STANDBY MODE. Repeat above steps to do the pairing again).
6. Ensure the distance between your headset and phone is within 10 meters, and without any obstacles, you can use the headset freely.
7. If the headset had paired with your phone but disconnected, it will connect the paired phone automatically when you turn on the headset again within operation range.

## Answering a Call

Press MFB once

## Ending a Call

Press MFB once

## Rejecting a Call

Press and hold MFB for 2 seconds

## Voice Dialing

In STANDBY MODE, press MFB once. Say the voice tag as soon as you hear the short beep(ensure your phone supports voice dialing function, and you have recorded the voice tag into your phone. See the user guide of your phone for instructions.)

## Last Number Redialing

Press MFB twice

## Adjusting Volume

Press V+ or V- to adjust the volume to meet your needs.

## Power Saving

The headset will turn off automatically if it can not be paired or connected with any devices within 20 minutes.

## Disconnecting

To disconnect the paired headset from your phone, please turn off the headset or disconnect the headset from the Bluetooth menu of your phone.

## Maintenance

1. Don't clean the headset with strong-erosive solvents.
2. Do not allow the headset to touch with any sharp objects since this will cause scratching and damage.
3. Be sure to store the headset in a dry place, free from high temperature, humidity and dust.

## Additional Statements

- The Headset is compliant with the specified Bluetooth version. It does not guarantee compatibility of all functions on every Bluetooth enabled device. Please check your device's user manual for compatibility and functionality.
- Charge the headset under any status to a reset.
- The headset will beep when operates successfully, but this may be too low to hear.
- The above operations may vary due to different devices.
- Manufacturer reserves the right of final explanation of all the above statements.