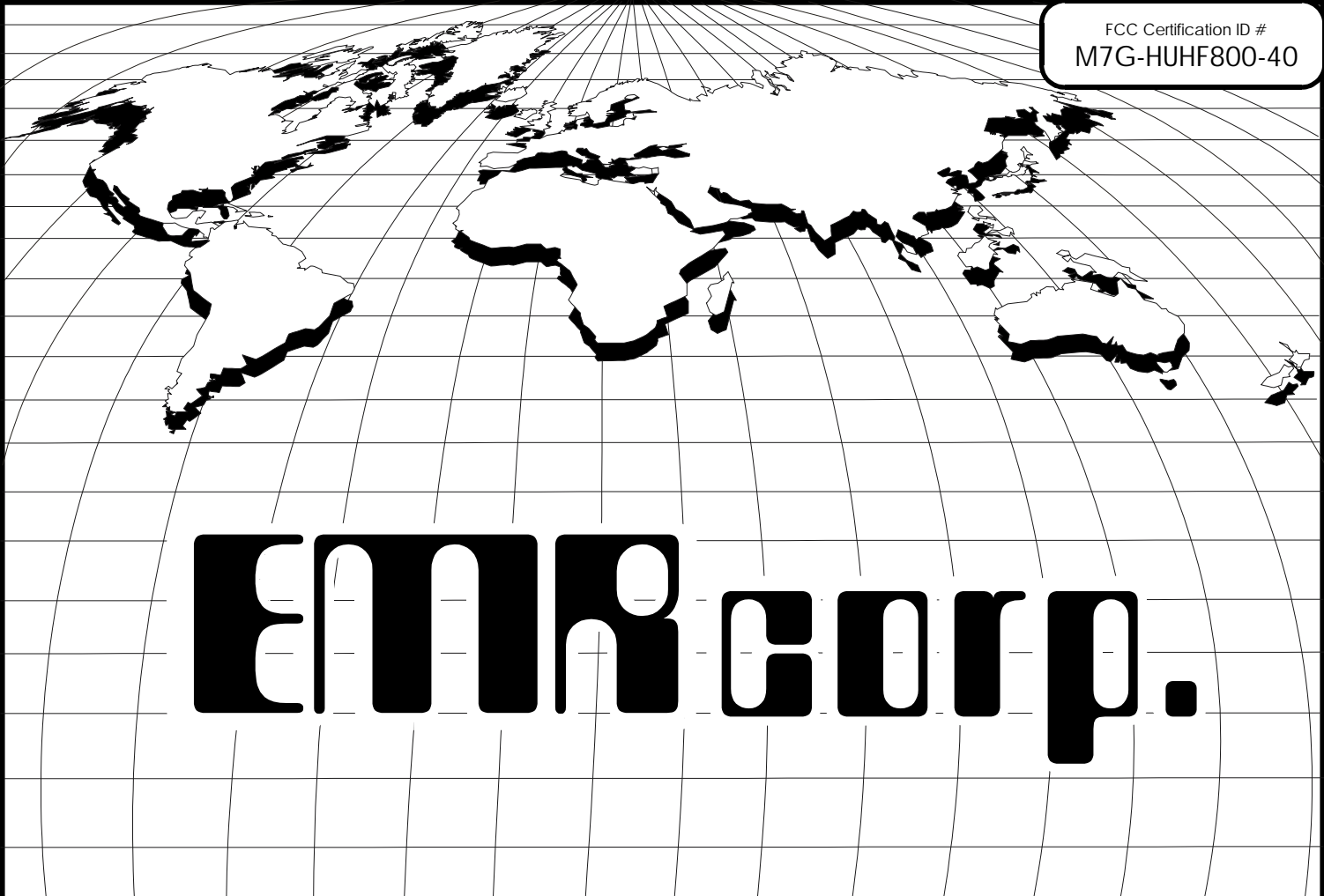


FCC Certification ID #  
M7G-HUHF800-40



**EMR corp.**

# SERVICE MANUAL

**HUHF 800-40 SERIES  
850-875 MHz AMPS**

EMR Corp. - 22402 N. 19th Ave. - Phoenix, Az. 85027  
Tel: 623/581/2875 1/800/796/2875  
Email: [info@emrcorp.com](mailto:info@emrcorp.com) <http://www.emrcorp.com>

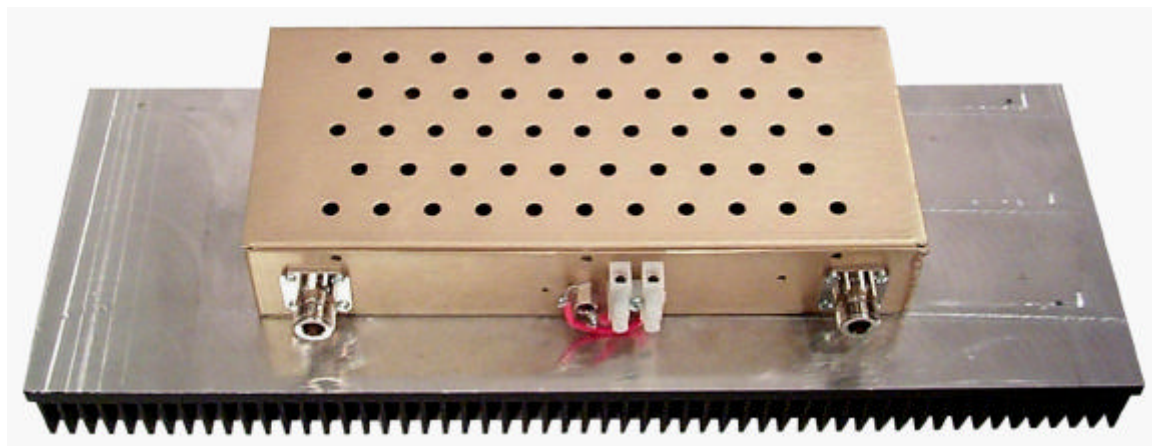
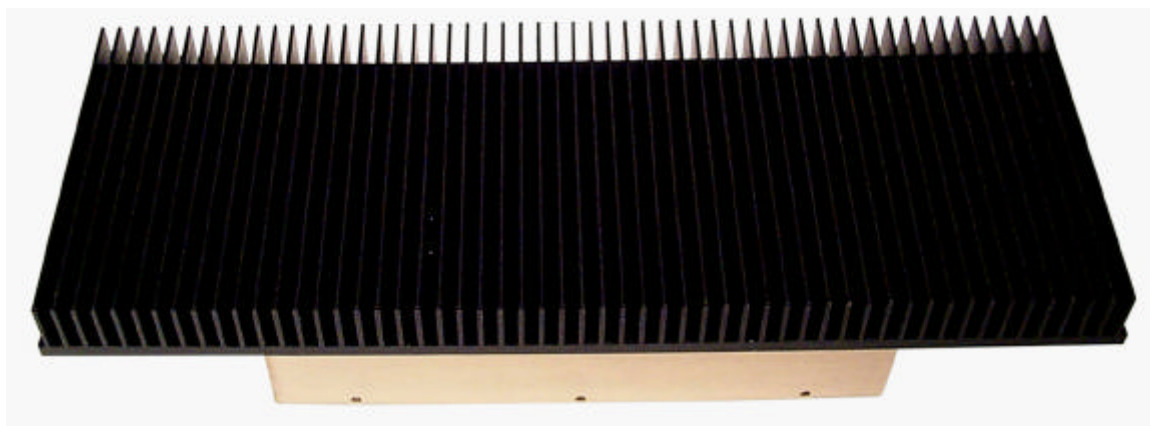
# Table of Contents

PAGE

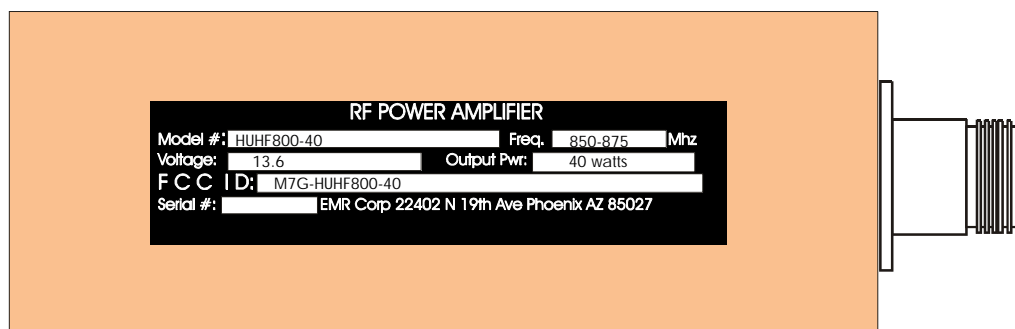
PRODUCT DESCRIPTION.....	2
GENERAL SPECIFICATIONS.....	3
CIRCUIT DESCRIPTIONS.....	4
SCHEMATICS.....	5
PARTS LIST.....	6
WARRANTY INFORMATION.....	7

The HUHf 800-40 Series of EMR amplifiers are intended for use in commercial communications systems. Applications include cellular, SMR trunking and data systems. They will cover the frequency range extending from 850 MHz to 875 MHz.

For operator convenience, views of the Amplifier are presented here..



FCC Certification  
Label Placement

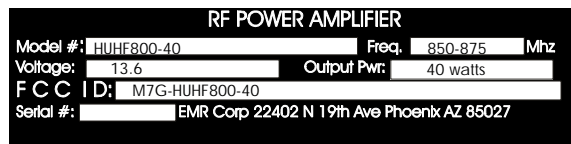


# PRODUCT DESCRIPTION

FREQUENCY RANGE: 850 - 875 MHz  
OPERATING MODE: FM  
USAGE: Single Channel Systems  
MODEL #: HUHf 800-40  
OUTPUT POWER: 40 WATTS  
OPERATING TEMPERATURE RANGE: -20 to +60 Deg. C  
OPERATING VOLTAGE: +13.6 VDC / 8 amps  
DUTY CYCLE: 100%  
HARMONIC ATTENUATION: Meets FCC Certification

OPTIONS: EMR Amplifiers are available With several mechanical mounting options and in Various configurations. (Specified at time of order.)

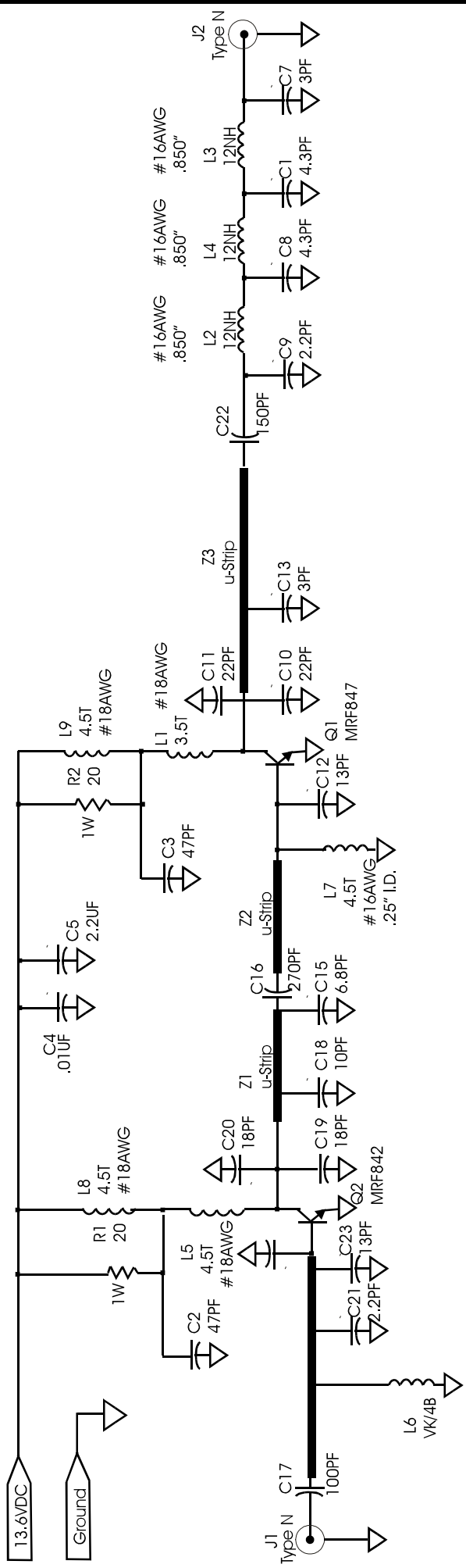
FCC  
Certification  
LABEL



GENERAL SPECIFICATIONS

The HUHf 800-40 Series power amplifier is a self-contained rack mountable unit capable of up to 40 watts of class c output power, with built in cooling circuitry and power reduction capability. The input signal is amplified by a power module capable of producing 14 watts. It is then split and amplified by the output amplifiers and recombined with a Wilkinson combiner. Finally, it is filtered by a seven element low pass filter.

# CIRCUIT DESCRIPTIONS



EMR Corp.  
 22402 N. 19th Avenue  
 Phoenix, Arizona 85027

TITLE:  
 40 WATT SMR AMP

DOCUMENT #

DATE: August 1, 2000

REV: A

SIZE: B

SHEET: 1 of 1

# SCHEMATICS

40 WATT SMR AMP  
Bill of Materials Aug. 1, 2000

ITEM	QUANTITY	REFERENCE	PART
1	2	C1,C8	4.3PF
2	2	C2, C3	47PF
3	1	C4	.01UF
4	1	C5	2.2UF
5	3	C6,C12,C23	13PF
6	2	C7,C13	3PF
7	2	C9,C21	2.2PF
8	2	C10,C11	22PF
9	1	C14	15PF
10	1	C15	6.8PF
11	1	C16	270PF
12	1	C17	100PF
13	1	C18	10PF
14	2	C19,C20	18PF
15	1	C22	150PF
16	2	J1,J2	TYPE N
17	1	L1	3.5T
18	3	L2,L3,L4	12NH
19	4	L5,L7,L8,L9	4.5T
20	1	L6	VK/4B
21	1	Q1	MRF847
22	1	Q2	MRF842
23	2	R1,R2	20
24	4	Z1,Z2,Z3,Z4	u-STRIP

PARTS LIST

EMR Corporation, hereinafter called EMR, warrants that all equipment of its manufacture shall be free from defects in design, materials and workmanship for a period of 12 months from date of shipments unless otherwise covered by special warranty. If any such product, entirely or in part, fails to produce the performance set forth in the brochures, quotations or literature provided by EMR, such product will be replaced or repaired at EMR's expense provided that the failure was not the result of alteration, misuse, tampering, misapplication, shipping damage or vandalism. If a product failure is found to be the fault of EMR, costs of transportation to the EMR factory and return will be born by EMR. Should EMR supply components not of its own manufacture, but specified by a customer, the warranty shall reflect the original manufactures warranty, only.

It is understood that this statement constitutes EMR's entire and only warranty, there being no other warrantees expressed or implied in law or in fact, including implied warrantees of fitness. In no event shall EMR be liable for damages either direct or consequential, that may be occasioned by any defect in materials, workmanship or product support.

For service on this amplifier, contact:

EMR Corporation  
22402 N. 19th Avenue  
Phoenix, Arizona 85021  
Tel: 623/581/2875      800/796/2875  
E-mail: [info@emrcorp.com](mailto:info@emrcorp.com)  
<http://www.emrcorp.com>  
FAX: 623/582/9499

WARRANTY INFORMATION