

IntegrAlarm
IA-1000 WIRELESS SECURITY SYSTEM
INSTALLER MANUAL

February 2004

Table of Contents

1	Control Panel Description	4
1.1	FCC Compliance & Statements	5
1.1.1	FCC Part 15 Compliance Statement.....	5
	The FCC Wants You to Know	5
	FCC ID: RUF150704.....	5
	FCC Warning.....	6
1.1.2	FCC Part 68 Statements.....	7
2	Installation Procedure.....	12
2.1	Battery Installation	12
2.2	RJ31X Connector.....	12
2.3	Connectors J5 and J7	12
2.4	Connector J9 (Terminal Block).....	13
3	Programming Procedure.....	14
3.1	General	14
3.2	Installer Programming Functions.....	14
3.2.1	Zone Options	15
3.2.2	Timers & Counter	25
3.2.3	System Options.....	28
3.2.4	Access Codes.....	36
3.2.5	Output Options	37
3.2.6	X-10 Options.....	40
3.2.7	Communications Options	44
3.2.8	Report Codes.....	52
3.2.9	Download Options.....	59

3.2.10	Enroll Zones.....	62
3.2.11	Place Test.....	63
3.2.12	Others	64
3.2.13	Saving Data.....	67

1 Control Panel Description

The Control Panel consists of an RF transceiver, a micro-controller, a non-volatile memory, a power supply, a user interface, a siren, a buzzer, a tamper switch and a battery.

The Control Panel is composed of the following principal parts:

- Mounting plate.
- Control Panel unit with keypad, display, electronic assembly, siren, speaker, microphone, 4 LEDs and battery compartment.
- 6 NiCd size AA batteries.
- Wall mounted AC adapter (120 VAC to 9 VAC insulation transformer)

The complete Control Panel and keyboard and an exploded view of the Control Panel are shown below.

1.1 FCC Compliance & Statements

1.1.1 FCC Part 15 Compliance Statement

The FCC Wants You to Know

This equipment has been tested and found to comply with the limits for a Class B digital device, pursuant to Part 15 of the FCC rules. These limits are designed to provide reasonable protection against harmful interference in a residential installation. This equipment generates, uses and can radiate radio frequency energy and, if not installed and used in accordance with the instructions, may cause harmful interference to radio communications. However, there is no guarantee that interference will not occur in a particular installation. If this equipment does cause harmful interference to radio or television reception, which can be determined by turning the equipment off and on, the user is encouraged to try to correct the interference by one or more of the following measures:

- a) Reorient or relocate the receiving antenna.
- b) Increase the separation between the equipment and receiver.
- c) Connect the equipment to an outlet on a circuit different from that to which the receiver is connected.
- d) Consult the dealer or an experienced radio technician.

FCC ID: RUF150704

This device complies with Part 15 of the FCC Rules. Operation is subject to the following two conditions:

- (1) This device may not cause harmful interference and

(2) This device must accept any interference received, including interference that may cause undesired operation.

FCC Warning

Modifications not expressly approved by the manufacturer could void the user authority to operate the equipment under FCC Rules.

Instructions concerning human exposure to radio frequency electromagnetic fields.

To comply with FCC Section 1.307 (b)(1) for human exposure to radio frequency electromagnetic fields, implement the following instruction:

A distance of at least 20cm. between the equipment and all persons should be maintained during the operation of the equipment.

1.1.2 FCC Part 68 Statements

a. This equipment complies with Part 68 of the FCC rules and requirements adopted by ACTA. On the bottom of this equipment is a label that contains, among other information, a product identifier in the format US: AAAEQ##TXXXX. If requested this number must be provided to the telephone company.

b. Facility Interface Codes ("FIC"): 02LS2. Service Order Codes ("SOC"): 9.0Y

c. Screw terminals are used to connect this equipment to the premises wiring and telephone network must comply with the applicable FCC Part 68 rules and requirements adopted by the ACTA. It is designed to be connected to a compatible modular jack that is also compliant.

For shared telephone line (premises telephones and security system) RJ31X junction box must be used at the telephone company cable entrance into the premises.

d. REN - NA

e. If the IA-CP1 Control Panel for security systems causes harm to the telephone network, the telephone company will notify you in advance that temporary discontinuance of service may be required. But if advance notice isn't practical, the telephone company will notify the customer as soon as possible. Also, you will be advised of your right to file a complaint with the FCC if you believe it is necessary.

f. The telephone company may make changes in its facilities, equipment, operations or procedures that could affect the operation of the equipment. If this happens the telephone company will provide advance notice in order for you to make necessary modifications to maintain uninterrupted service.

g. If trouble is experienced with the VPP - T1 channel recording adapter, for repair or warranty information, please contact VERINT Systems Inc, 330 South Service road, Melville, New-York, 11747, USA, phone number 001 631 9629600. If the equipment is causing harm to the telephone network, the telephone company may request that you disconnect the equipment until the problem is resolved.

h. user should not attempt to perform any repair in this equipment. The control panel includes telephone line monitor that gives an alarm in case of the telephone line failure.

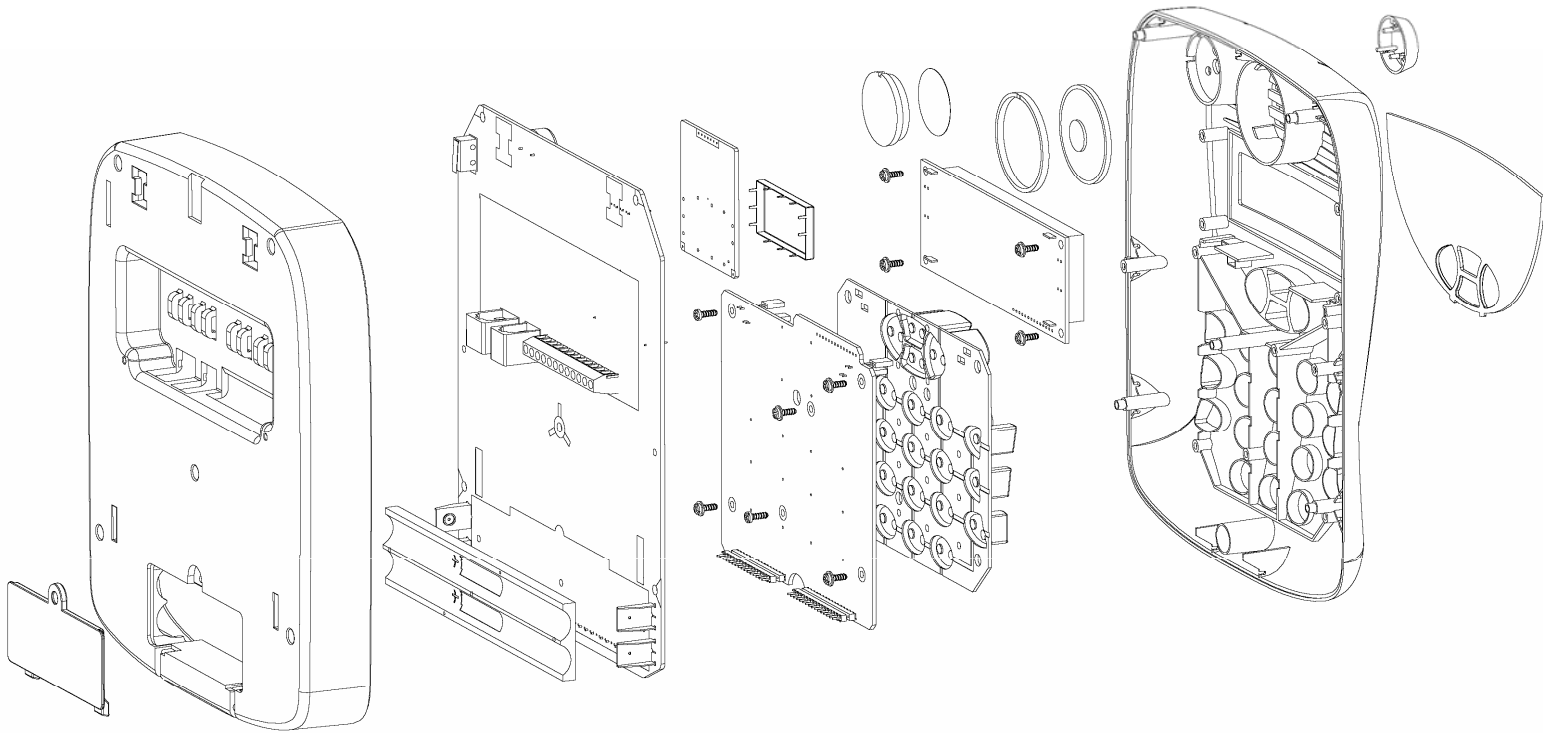
i. Connection to party line service is subject to state tariffs. Contact the state public utility commission, public service commission or corporation commission for information.

j If your premises has specially wired alarm equipment connected to the telephone line, ensure the installation of this IA-CP1 Control Panel for security systems does not disable your alarm equipment. If you have questions about what will disable alarm equipment, consult your telephone company or a qualified installer.

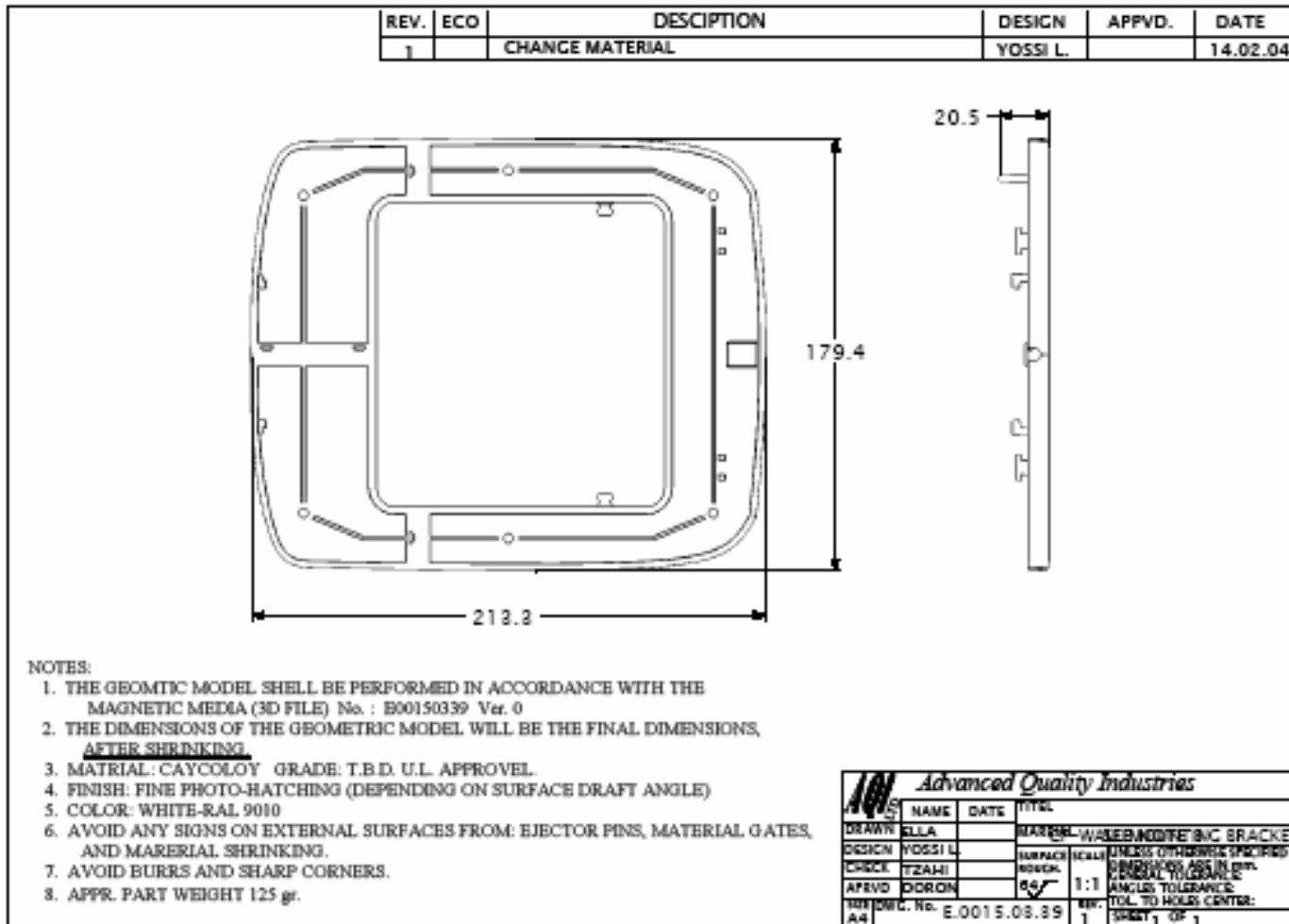


THIS DOCUMENT CONTAINS PROPRIETARY INFORMATION AND SHALL NOT BE PUBLISHED OR USED FOR ANY PURPOSE WITHOUT THE WRITTEN PERMISSION OF AGI LTD.

REV.	ECO	DESCRIPTION	DESIGN	APPVD.	DATE



AIQ Advanced Quality Industries		NAME		DATE	TITLE	CONTROL PANEL-ASSY
DRAWN	YOSSI L				MATERIAL	
DESIGN	YOSSI L				SURFACE	SCALE
CHECK	TZAHU				ROUGH	UNLESS OTHERWISE SPECIFIED
APRVD	DORON					DIMENSIONS ARE IN mm.
SIZE	DWG. No.					GENERAL TOLERANCE: ±0.2
A3	IA-CP1					ANGLES TOLERANCE: ±0.5
						TOL. TO HOLES CENTER: ±0.1
					REV.	0
					SHEET	OF



2 Installation Procedure

2.1 Battery Installation

Remove screw to open Control Panel battery case cover. Insert 6 NiCd AA batteries. Replace screw.

2.2 RJ31X Connector

Open the RJ31X connector to reveal eight screws.

Cut the main telephone cable.

Connect the red strand of the main telephone cable (Net Ring) to the red wire inside the RJ31X connector.

Connect the green strand of the main telephone cable (Net Tip) to the green wire inside the RJ31X connector.

Connect the yellow strand of the main telephone cable (Telco Ring) to the yellow wire inside the RJ31X connector.

Connect the black strand of the main telephone cable (Telco Tip) to the black wire inside the RJ31X connector.

Plug the short cable into the RJ31X connector.

Connect the red strand of the main telephone cable (Net Ring) to the Net Ring terminal on the terminal block (see Section 1.4 below).

Connect the green strand of the main telephone cable (Net Tip) to the Net Tip terminal on the terminal block (see Section 1.4 below).

Connect the yellow strand of the main telephone cable (Telco Ring) to the Telco Ring terminal on the terminal block (see Section 1.4 below).

Connect the black strand of the main telephone cable (Telco Tip) to the Telco Tip terminal on the terminal block (see Section 1.4 below).

2.3 Connectors J5 and J7

Connector J5 (marked on the Control Panel PCB) is an RJ11 connector. Connect it to the X-10 units in the system.

Connector J7 (marked on the Control Panel PCB) is an RJ45 connector. Connect it to the system computer (if any).

2.4 Connector J9 (Terminal Block)

Connect the first GND terminal to the ground for the wired zone.

Connect the WIRED ZONE terminal to the wired zone.

Connect the PGM-1 and PGM-2 terminals to the PGM units in the system.

Connect the EARTH terminal to the earth for the PGM units in the system.

Connect the 9V AC-1 and 9V AC-2 terminals to the 9V mains transformer.

Connect the second GND terminal to the ground for the 9V mains transformer.

The remaining terminals (Telco Tip, Telco Ring, Net Tip, Net Ring) are already connected (see Section 1.2 above).

Check all connections. Plug 9V mains transformer into 110V mains. System opening screen will be displayed. Proceed to Section 2 below.

3 Programming Procedure

3.1 General

The functions performed by the Installer are implemented by means of the four keys at the top of the Control Panel and the numeric keypad.

These functions are viewed from the Installer Menu, accessible from the Main Menu.

3.2 Installer Programming Functions

To access the Main Menu, press OK at top of Control Panel when system is disarmed and opening screen is displayed. Screen will show:

MAIN MENU 1: USER

From this menu, press DOWN key at top of Control Panel to access the Installer menu. Screen will show:

MAIN MENU 3: INSTALLER

Press OK at top of Control Panel. An ENTER ID prompt will be displayed and an "Enter ID" voice prompt will sound. Enter your Installer ID.

Note: The Installer functions can only be implemented by the system installer. If an ordinary User or Master ID or an incorrect code is entered for any Installer function, an INCORRECT ID prompt will be displayed and an "Incorrect ID" voice prompt will sound. After 1 second, an ENTER ID prompt will be displayed and an "Enter ID" voice prompt will sound. (After three incorrect ID entries, the system will respond with an INCORRECT ID prompt and an "Incorrect ID" voice message, followed by an ACCESS DENIED prompt and an "Access Denied" voice message, and access to the system from the Control Panel will be denied for a preprogrammed interval of time.)

Note: The system installation should be performed continuously. If a pause of more than the number of minutes determined for the Installer Dialog timeout (INST. DLG. T/O) in Section 3.2.2 below (default: 20 minutes) occurs, the installation will be terminated and the opening screen will again be displayed, without saving the installation data.

Note: At any point in any Installer function, pressing OK at top of Control Panel will move one level downward in the menu structure; pressing ESC at top of Control Panel will move one level upward in the menu structure.

3.2.1 Zone Options

From the Installer menu, when you have entered your Installer ID, screen will show:

INSTALLER MENU 1: ZONE OPTIONS

There are many sub-functions within the Zone Options function. Before the first sub-function, it is necessary to define the zone for which the sub-function options are being programmed. In other words, when the system is first set up, the entire Zone Options function must be repeated for each zone.

To define the zone, press OK at top of Control Panel. Screen will show:

ZONE PROGRAMMING 1. Zn. Def.

To define the zone (Enter Zone #), press OK at top of Control Panel. Screen will show:

ENTER ZONE # <u>1</u> FRONT DOOR

To confirm Zone 1 as the zone now being programmed, press OK at top of Control Panel. To change the default, key in the desired number on numeric keypad and press OK at top of Control Panel to proceed to next sub-function: Zone Enable.

Screen will show:

01: ZONE ENABLE
Enable ↵

To confirm that this zone is enabled, press DOWN key at top of Control Panel to proceed to next zone definition option. To change the default from Enable to Disable, press OK at top of Control Panel (if Disable is displayed, press OK at top of panel to change to Enable) and then press DOWN key at top of Control Panel to proceed to next sub-function: Zone Type.

Screen will show:

02: ZONE TYPE
Delay 1 ↵

Press OK at top of Control Panel. The ↵ character will be replaced by ‡. Screen will show:

02: ZONE TYPE
Delay 1 ‡

To select zone type for this zone (Note: a list of zone types appears in the Appendix to this manual), press DOWN or UP keys at top of Control Panel until desired zone type is displayed. Now press ESC key at top of Control Panel to return to Zone Definitions menu and press DOWN key to proceed to next sub-function: Zone Labels.

Screen will show:

ZONE PROGRAMMING
2. Zn. Labels

Press OK at top of Control Panel. Screen will show:

ENTER ZONE # 1
FRONT DOOR

To select zone label, press OK at top of Control Panel.

01: ZONE LABEL
FRONT DOOR ↵

Press OK at top of Control Panel. The ↵ character will be replaced by ‡. Screen will show:

01: ZONE LABEL
FRONT DOOR ‡

To select zone label for this zone (Note: a list of zone labels appears in the Appendix to this manual), press DOWN or UP keys at top of Control Panel until desired zone label is displayed, and then press OK at top of Control Panel. Now press ESC key at top of Control Panel twice to return to Zone Programming menu and press DOWN key to proceed to next sub-function (unless a custom label is desired for this zone).

If a custom label is desired for this zone, press ESC key at top of Control Panel once, and press DOWN key at top of Control Panel. Screen will show:

02: CUSTOM LABEL
FRONT DOOR ↵

Press OK at top of Control Panel. The "F" in FRONT will blink. Using the numeric keypad like a cellular telephone keypad, change the "F" to the desired letter. The "R" will then blink. Repeat until the entire desired custom label has been keyed in. (To skip a letter, press DOWN key.) Now press OK at top of Control Panel. Now press ESC key at top of Control Panel to return to Zone Labels menu and press DOWN key to proceed to next sub-function: Zone Attributes.

Screen will show:

ZONE PROGRAMMING
3. Zn. Attributes

Press OK at top of Control Panel. Screen will show:

ENTER ZONE # 1
FRONT DOOR

To select zone attributes for this zone, press OK at top of Control Panel. Screen will show:

01: CHIME ENABLE
Enable ↵

To enable the chime function and proceed to next zone attribute, press DOWN key at top of Control Panel. To change the default from Enable to Disable, press OK at top of Control Panel (if Disable is displayed, press OK at top of panel to change to Enable) and then press DOWN key at top of Control Panel to proceed to next sub-function. Screen will show:

02: BYPASS ENABLE Disable ↵

To disable the zone bypass function and proceed to next zone attribute, press DOWN key at top of Control Panel. To change the default from Disable to Enable, press OK at top of Control Panel (if Enable is displayed, press OK at top of panel to change to Disable) and then press DOWN key at top of Control Panel to proceed to next sub-function. Screen will show:

03: FORCE ARM Disable ↵

To disable the force arm function and proceed to next zone attribute, press DOWN key at top of Control Panel. To change the default from Disable to Enable, press OK at top of Control Panel (if Enable is displayed, press OK at top of panel to change to Disable) and then press DOWN key at top of Control Panel to proceed to next sub-function. Screen will show:

04: CROSS ZONE Disable ↵

To disable the cross zone function and proceed to next zone attribute, press DOWN key at top of Control Panel. To change the default from Disable to Enable, press OK at top of Control Panel (if Enable is displayed, press OK at top of panel to change to Disable) and then press DOWN key at top of Control Panel to proceed to next sub-function. Screen will show:

05: STROBE TYPE Strobe None ↵

If no strobe exists for this zone, press DOWN key at top of Control Panel to proceed to next sub-function.

To determine a strobe type, press OK at top of Control Panel. The ↵ character will be replaced by ‡. Screen will show:

05: STROBE TYPE *Strobe None ‡

To select strobe type for this zone (Note: a list of strobe types appears in the Appendix to this manual), press DOWN or UP keys at top of Control Panel until desired strobe type is displayed, and then press ESC key followed by DOWN key at top of Control Panel to proceed to next sub-function.

Screen will show:

06: SWINGER STOP No shutdown ↵

If no swinger shutdown exists for this zone, press DOWN key at top of Control Panel to proceed to next sub-function.

To determine a swinger shutdown type, press OK at top of Control Panel. The ↵ character will be replaced by ‡. Screen will show:

06: SWINGER STOP *No shutdown ‡

To select swinger shutdown type for this zone (Note: a list of swinger shutdown types appears in the Appendix to this manual), press DOWN or UP keys at top of Control Panel until desired swinger shutdown type is displayed, and then press ESC key followed by DOWN key at top of Control Panel to proceed to next sub-function.

Screen will show:

07: INT. SIREN Pulse A ↵

If Pulse A is the correct setting for this zone, press DOWN key at top of Control Panel to proceed to next sub-function.

To change the internal siren type, press OK at top of Control Panel. The ↵ character will be replaced by ‡. Screen will show:

07: INT. SIREN *Pulse A ‡

To select internal siren type for this zone (Note: a list of internal siren types appears in the Appendix to this manual), press DOWN or UP keys at top of Control Panel until desired internal siren type is displayed, and then press ESC key followed by DOWN key at top of Control Panel to proceed to next sub-function.

Screen will show:

08: EXT. SIREN Continuous ↵

If Continuous is the correct setting for this zone, press DOWN key at top of Control Panel to proceed to next sub-function.

To change the external siren type, press OK at top of Control Panel. The ↵ character will be replaced by ‡. Screen will show:

08: EXT. SIREN *Continuous ‡
--

To select external siren type for this zone (Note: a list of external siren types appears in the Appendix to this manual), press DOWN or UP keys at top of Control Panel until desired external siren type is displayed, and then press DOWN key at top of Control Panel to proceed to next sub-function.

Screen will show:

09: REPORT DELAY 10 ↵

If 10 seconds is the correct report delay setting for this zone, press DOWN key at top of Control Panel to proceed to next sub-function.

To change the report delay time, press OK at top of Control Panel. The "1" in 10 will blink. Using the numeric keypad like a cellular telephone keypad, change the "1" to the desired digit. The "0" will then blink. Change the "0" to the desired digit. Now press DOWN key at top of Control Panel to proceed to next sub-function.

Screen will show:

10: SIREN DELAY 01 ↵

If 1 second is the correct report delay setting for this zone, press DOWN key at top of Control Panel to proceed to next sub-function.

To change the siren delay time, press OK at top of Control Panel. The "0" in 01 will blink. Using the numeric keypad like a cellular telephone keypad, change the "0" to the desired digit. The "1" will then blink. Change the "1" to the desired digit. Now press DOWN key at top of Control Panel to proceed to next sub-function.

Screen will show:

11: X-10 1 2 3 4 N N N N

To select the types of messages to be sent with regard to this zone (Note: a list of zone types appears in the Appendix to this manual), press "0" key on numeric keypad of Control Panel for NO or "1" for YES for each of the following sub-functions:

11: X-10 1 2 3 4 (X-10 equipment operated from this zone)

12: X-10 5 6 7 8 (additional X-10 equipment operated from this zone)

13: PGM 1 2 (PGM equipment operated from this zone)

After completing each of the above sub-functions, press DOWN at top of Control Panel to proceed to next sub-function.

After sub-function 13 is complete, screen will show:

14: REMOTE USER MASTER ↵

If Master is the correct setting for this zone, or if this is not a zone which has a remote user, press ESC key at top of Control Panel to return to Zone Programming menu and press DOWN key to proceed to next sub-function.

To change the remote user type, press OK at top of Control Panel. The ↵ character will be replaced by ±. Screen will show:

14: REMOTE USER
*MASTER ‡

To select remote user for this zone (Note: a list of remote types appears in the Appendix to this manual), press DOWN or UP keys at top of Control Panel until desired remote user is displayed, and then press OK at top of Control Panel. Now press ESC key at top of Control Panel to return to Zone Attributes menu and press DOWN key to proceed to next sub-function: Hardwired Zone.

Screen will show:

ZONE PROGRAMMING
4. Hardwired Zone

Press OK at top of Control Panel. Screen will show:

01: HARDWIRED ZN.
64 ↵

If 64 is the correct zone number of the hardwired zone, press DOWN key at top of Control Panel to proceed to next sub-function.

To change the hardwired zone number, press OK at top of Control Panel. The "6" in 64 will blink. Using the numeric keypad like a cellular telephone keypad, change the "6" to the desired digit. The "4" will then blink. Change the "4" to the desired digit. Now press DOWN key at top of Control Panel to proceed to next sub-function.

Screen will show:

02: ZONE TERM.
N. Closed ↵

If Normally Closed is the correct setting for this zone, press DOWN key at top of Control Panel to proceed to next sub-function.

To change the zone terminal setting, press OK at top of Control Panel. The ↵ character will be replaced by ‡. Screen will show:

02: ZONE TERM.
*N. Closed ‡

To change the zone terminal setting for this zone (Note: a list of zone terminal settings appears in the Appendix to this manual), press DOWN or UP keys at top of Control Panel until desired zone terminal setting is displayed, and then press ESC key at top of Control Panel to return to Hardwired Zone menu and press DOWN key to proceed to next sub-function: Peripheral Unit Attributes.

Screen will show:

ZONE PROGRAMMING 5. PU Attributes

Press OK at top of Control Panel. Screen will show:

ENTER ZONE # <u>1</u> FRONT DOOR

To select peripheral unit attributes for this zone, press OK at top of Control Panel. Screen will show:

01: SENSOR TYPE Door ↵

If Door is the correct sensor type for this zone, press DOWN key at top of Control Panel to proceed to next sub-function.

To change the sensor type, press OK at top of Control Panel. The ↵ character will be replaced by ‡. Screen will show:

01: SENSOR TYPE *Door ‡

To change the sensor type for this zone (Note: a list of sensor types appears in the Appendix to this manual), press DOWN or UP keys at top of Control Panel until desired sensor type is displayed, and then press DOWN key at top of Control Panel to proceed to next sub-function.

Screen will show:

02: SENSOR S/N 1 ↵

If 1 is the correct sensor serial number for this zone, press DOWN key at top of Control Panel to proceed to next sub-function.

To change the sensor serial number, press OK at top of Control Panel. Using the numeric keypad like a cellular telephone keypad, change the "1" to the desired sequence of digits. When the sequence is complete, press DOWN key at top of Control Panel to proceed to next sub-function.

Screen will show:

03: SENSOR OPER. Operation A ↵
--

If Operation A is the correct setting for this zone, press ESC key at top of Control Panel twice to return to Zone Programming menu and press DOWN key at top of Control Panel to proceed to next sub-function.

To change the sensor operation type, press OK at top of Control Panel. The ↵ character will be replaced by ‡. Screen will show:

03: SENSOR OPER. *Operation A ‡

To select sensor operation type for this zone (Note: a list of sensor operation types appears in the Appendix to this manual), press DOWN or UP keys at top of Control Panel until desired sensor operation type is displayed, and then press ESC key at top of Control Panel to return to PU Attributes menu and press DOWN key at top of Control Panel to proceed to next sub-function: Zone Voice Messages.

Screen will show:

ZONE PROGRAMMING 6. Zn. Voice Msgs.
--

Press OK at top of Control Panel. Screen will show:

ENTER ZONE # <u>1</u> FRONT DOOR

Press OK at top of Control Panel. Screen will show:

01: ALARM MSG.
Disable ↵

To disable the "alarm" voice message function and proceed to the next voice message, press DOWN key at top of Control Panel. To change the default from Disable to Enable, press OK at top of Control Panel (if Enable is displayed, press OK at top of panel to change to Disable) and then press DOWN key at top of Control Panel to proceed to next sub-function. Screen will show:

02: TAMPER MSG.
Disable ↵

To disable the "tamper" voice message function and proceed to the next voice message, press DOWN key at top of Control Panel. To change the default from Disable to Enable, press OK at top of Control Panel (if Enable is displayed, press OK at top of panel to change to Disable) and then press DOWN key at top of Control Panel to proceed to next sub-function. Screen will show:

03: TROUBLE MSG.
Disable ↵

To disable the "trouble" voice message function and proceed to the next voice message, press DOWN key at top of Control Panel. To change the default from Disable to Enable, press OK at top of Control Panel (if Enable is displayed, press OK at top of panel to change to Disable) and then press ESC key at top of Control Panel three times to return to the Zone Options menu and press DOWN key at top of Control Panel to proceed to the Timers & Counter menu.

3.2.2 Timers & Counter

From the Zone Options menu as shown in Section 3.2.1 above, press DOWN key at top of Control Panel. Screen will show:

INSTALLER MENU
2: Timers & Counter

To define the entry and exit delays for the system, press OK at top of Control Panel. Screen will show:

TIMERS & COUNTER
1. Entry/Exit Dly

Press OK at top of Control Panel. Screen will show:

01: ENTRY DLY 1
30 seconds ↵

If 30 seconds is the correct setting for entry delay 1, press DOWN key at top of Control Panel to proceed to next sub-function.

To change the time of entry delay 1, press OK at top of Control Panel. The "3" in 30 will blink. Using the numeric keypad like a cellular telephone keypad, change the "3" to the desired digit. The "0" will then blink. Change the "0" to the desired digit. Now repeat the process for each of the following sub-functions:

02: ENTRY DLY 2 (default 30 seconds)
03: EXIT DLY 1 (default 45 seconds)
04: EXIT DLY 2 (default 45 seconds)

After completing each of the above sub-functions, press ESC at top of Control Panel to return to Entry/Exit Delay menu. Now press DOWN key at top of Control Panel to proceed to next sub-function: Sounder Timers.

Screen will show:

TIMERS & COUNTER
2. Sounder Timers

Press OK at top of Control Panel. Screen will show:

01: BELL TIMEOUT
4 minutes ↵

If 4 minutes is the correct setting for bell timeout, press DOWN key at top of Control Panel to proceed to next sub-function.

To change the bell timeout setting, press OK at top of Control Panel. The "4" will blink. Using the numeric keypad like a cellular telephone keypad, change the "4" to the desired digit or series of digits. Now repeat the process for each of the following sub-functions:

- 02: SIREN TIMEOUT (default 6 minutes)
- 03: FIRE SIREN TO (default 8 minutes)

After completing each of the above sub-functions, press ESC at top of Control Panel to return to Sounder Timers menu. Now press DOWN key at top of Control Panel to proceed to next sub-function: Communication Timers.

Screen will show:

TIMERS & COUNTER 3. Comm. Timers

Press OK at top of Control Panel. Screen will show:

01: ABORT TIME 30 seconds ↵

If 30 seconds is the correct setting for abort time, press DOWN key at top of Control Panel to proceed to next sub-function.

To change the abort time, press OK at top of Control Panel. The "6" in 30 will blink. Using the numeric keypad like a cellular telephone keypad, change the "6" to the desired digit. The "0" will then blink. Change the "0" to the desired digit. Now repeat the process for each of the following sub-functions:

- 02: INST. DLG. T/O (default 20 minutes)
- 03: USER DLG. T/O (default 3 minutes)
- 04: CODE DLG. T/O (default 45 seconds)
- 05: TX DEL: AC TRB (default: 60 minutes)
- 06: BACKLIGHT T/O (default: 10 seconds)
- 07: SENSOR SUPRVS (default: 60 minutes)
- 08: PGM/X-10 TIME (default: 30 second)

After completing each of the above sub-functions, press ESC at top of Control Panel to return to Communication Timers menu. Now press DOWN key at top of Control Panel to proceed to next sub-function: Keypad Lockout.

Screen will show:

TIMERS & COUNTER 4. Keypad Lockout

Press OK at top of Control Panel. Screen will show:

01: INV. ATTEMPTS 3 ↵

If 3 is the correct number of invalid attempts allowed before keypad locks, press DOWN key at top of Control Panel to proceed to next sub-function.

To change the number of invalid attempts, press OK at top of Control Panel. The "3" will blink. Using the numeric keypad like a cellular telephone keypad, change the "3" to the desired digit or series of digits. Now press DOWN key at top of Control Panel to proceed to next sub-function.

Screen will show:

02: LOCKOUT DUR. 30 seconds ↵

If 30 seconds is the correct setting for lockout duration, press DOWN key at top of Control Panel to proceed to next sub-function.

To change the lockout duration, press OK at top of Control Panel. The "3" in 30 will blink. Using the numeric keypad like a cellular telephone keypad, change the "3" to the desired digit. The "0" will then blink. Change the "0" to the desired digit. Now press ESC key at top of Control Panel twice to return to the Timers & Counter menu. Now press DOWN key at top of Control Panel to proceed to the System Options menu.

3.2.3 System Options

From the Timers & Counter menu as shown in Section 3.2.2 above, press DOWN key at top of Control Panel. Screen will show:

INSTALLER MENU 3: SYSTEM OPTIONS

To define the arming options for the system, press OK at top of Control Panel. Screen will show:

SYSTEM OPTIONS 1. Arming Opt.

Press OK at top of Control Panel. Screen will show:

01: QUICK ARM Disable ↵

To disable the Quick Arm option and proceed to the next arming option, press DOWN key at top of Control Panel. To change the default from Disable to Enable, press OK at top of Control Panel (if Enable is displayed, press OK at top of panel to change to Disable) and then press DOWN key at top of Control Panel to proceed to next sub-function. Screen will show:

02: FORCE ARM Disable ↵

To disable the Force Arm option and proceed to the next arming option, press DOWN key at top of Control Panel. To change the default from Disable to Enable, press OK at top of Control Panel (if Enable is displayed, press OK at top of panel to change to Disable) and then press DOWN key at top of Control Panel to proceed to next sub-function. Screen will show:

03: AUTO BYPASS Disable ↵

To disable the Auto Bypass option and proceed to the next arming option, press DOWN key at top of Control Panel. To change the default from Disable to Enable, press OK at top of Control Panel (if Enable is displayed, press OK at top of panel to change to Disable) and then press DOWN key at top of Control Panel to proceed to next sub-function. Screen will show:

04: EXIT WARNING Enable ↵

To enable the Exit Warning option and proceed to the next arming option, press DOWN key at top of Control Panel. To change the default from Enable to Disable, press OK at top of Control Panel (if Disable is displayed, press OK at top of panel to change to Enable) and then press DOWN key at top of Control Panel to proceed to next sub-function. Screen will show:

05: BELL SQUAWK Enable ↵

To enable the Bell Squawk option and proceed to the next arming option, press DOWN key at top of Control Panel. To change the default from Enable to Disable, press OK at top of Control Panel (if Disable is displayed, press OK at top of panel to change to Enable) and then press DOWN key at top of Control Panel to proceed to next sub-function. Screen will show:

06: RESTART EXIT Enable ↵

To enable the Restart Exit option and proceed to the next arming option, press DOWN key at top of Control Panel. To change the default from Enable to Disable, press OK at top of Control Panel (if Disable is displayed, press OK at top of panel to change to Enable) and then press DOWN key at top of Control Panel to proceed to next sub-function. Screen will show:

07: LATCHKEY DSRM Enable ↵

To enable the Latchkey Disarm option and proceed to the next arming option, press DOWN key at top of Control Panel. To change the default from Enable to Disable, press OK at top of Control Panel (if Disable is displayed, press OK at top of panel to change to Enable) and then press DOWN key at top of Control Panel to proceed to next sub-function. Screen will show:

08: SHOW ABORTED Disable ↵

To disable the Show Aborted Arming option and proceed to the next arming option, press DOWN key at top of Control Panel. To change the default from Disable to Enable, press OK at top of Control Panel (if Enable is displayed, press OK at top of panel to change to Disable) and then press DOWN key at top of Control Panel to proceed to next sub-function. Screen will show:

09: SHOW CANCELED Disable ↵

To disable the Show Canceled Arming option and proceed to the next arming option, press DOWN key at top of Control Panel. To change the default from Disable to Enable, press OK at top of Control Panel (if Enable is displayed, press OK at top of panel to change to Disable) and then press DOWN key at top of Control Panel to proceed to next sub-function. Screen will show:

10: RTC DISPLAY Enable ↵

To enable the Real Time Clock display option and proceed to the next arming option, press DOWN key at top of Control Panel. To change the default from Enable to Disable, press OK at top of Control Panel (if Disable is displayed, press OK at top of panel to change to Enable) and then press DOWN key at top of Control Panel to proceed to next sub-function. Screen will show:

11: TROUBLE BEEPS No ↵

If no trouble beeps are desired, press DOWN key at top of Control Panel to proceed to next sub-function.

To determine a different trouble beep option, press OK at top of Control Panel. The ↵ character will be replaced by ‡. Screen will show:

11: TROUBLE BEEPS *No ‡

To select trouble beep option for this zone (Note: a list of trouble beep options appears in the Appendix to this manual), press DOWN or UP keys at top of Control Panel until desired strobe type is displayed, and then press DOWN key at top of Control Panel to proceed to next sub-function.

Screen will show:

12: CROSS ZONE Disable ↵

To disable the Cross Zone arming option and proceed to the next arming option, press DOWN key at top of Control Panel. To change

the default from Disable to Enable, press OK at top of Control Panel (if Enable is displayed, press OK at top of panel to change to Disable) and then press DOWN key at top of Control Panel to proceed to next sub-function. Screen will show:

13: RF HOUSE ID 10 ↵

If 10 is the correct RF house ID number, press DOWN key at top of Control Panel to proceed to next sub-function.

To change the RF house ID number, press OK at top of Control Panel. The "1" in 10 will blink. Using the numeric keypad like a cellular telephone keypad, change the "1" to the desired digit. The "0" will then blink. Change the "0" to the desired digit. Now press DOWN key at top of Control Panel to proceed to next sub-function.

Screen will show:

14: PANEL TAMPER Enable ↵

To enable the Panel Tamper alarm option and proceed to the next arming option, press DOWN key at top of Control Panel. To change the default from Enable to Disable, press OK at top of Control Panel (if Disable is displayed, press OK at top of panel to change to Enable).

On conclusion of all sub-functions (when sub-function 01 is again displayed), press ESC to return to Arming Options menu and press DOWN key to proceed to next sub-function: Language.

Screen will show:

SYSTEM OPTIONS 2. Language

Press OK at top of Control Panel. Screen will show:

01: LANGUAGE English ↵

To change the default from English to French, press OK at top of Control Panel (if French is displayed, press OK at top of panel to

change to English). Now press ESC to return to Language menu and press DOWN key to proceed to next sub-function: Fire/Aux/Panic Enable.

Screen will show:

SYSTEM OPTIONS 3. FAP Enable

Press OK at top of Control Panel. Screen will show:

01: FIRE KEY Enable ↵

To enable the Fire key and proceed to the next key enabling option, press DOWN key at top of Control Panel. To change the default from Enable to Disable, press OK at top of Control Panel (if Disable is displayed, press OK at top of panel to change to Enable) and then press DOWN key at top of Control Panel to proceed to next sub-function. Screen will show:

02: AUX. KEY Enable ↵

To enable the Aux. key and proceed to the next key enabling option, press DOWN key at top of Control Panel. To change the default from Enable to Disable, press OK at top of Control Panel (if Disable is displayed, press OK at top of panel to change to Enable) and then press DOWN key at top of Control Panel to proceed to next sub-function. Screen will show:

03: PANIC KEY Enable ↵

To enable the Panic key and proceed to the next key enabling option, press DOWN key at top of Control Panel. To change the default from Enable to Disable, press OK at top of Control Panel (if Disable is displayed, press OK at top of panel to change to Enable).

On conclusion of all sub-functions (when sub-function 01 is again displayed), press ESC to return to FAP Enable menu and then press DOWN key at top of Control Panel to proceed to next sub-function: Siren Enable.

Screen will show:

SYSTEM OPTIONS 4. Siren Enable

Press OK at top of Control Panel. Screen will show:

01: INT. SIREN Disable ↵

To disable the internal siren and proceed to the next siren option, press DOWN key at top of Control Panel. To change the default from Disable to Enable, press OK at top of Control Panel (if Enable is displayed, press OK at top of panel to change to Disable) and then press DOWN key at top of Control Panel to proceed to next sub-function. Screen will show:

02: WIRELESS SIREN Disable ↵

To disable the wireless siren and proceed to the next siren option, press DOWN key at top of Control Panel. To change the default from Disable to Enable, press OK at top of Control Panel (if Enable is displayed, press OK at top of panel to change to Disable) and then press DOWN key at top of Control Panel to proceed to next sub-function. Screen will show:

03: REPORT → CS Enable ↵

To enable transmission of reports to the Central Station, press DOWN key at top of Control Panel. To change the default from Enable to Disable, press OK at top of Control Panel (if Disable is displayed, press OK at top of panel to change to Enable).

On conclusion of all sub-functions (when sub-function 01 is again displayed), press ESC to return to Siren Enable menu and then press DOWN key at top of Control Panel to proceed to next sub-function: Event Logger Options.

Screen will show:

SYSTEM OPTIONS
5. Event Log. Opt.

Press OK at top of Control Panel. Screen will show:

01: ALARM EVENTS
Enable ↵

To enable logging of alarm events and proceed to the next event logger option, press DOWN key at top of Control Panel. To change the default from Enable to Disable, press OK at top of Control Panel (if Disable is displayed, press OK at top of panel to change to Enable) and then press DOWN key at top of Control Panel to proceed to next sub-function. Screen will show:

02: TROUBLE EVENTS
Enable ↵

To enable logging of trouble events and proceed to the next event logger option, press DOWN key at top of Control Panel. To change the default from Enable to Disable, press OK at top of Control Panel (if Disable is displayed, press OK at top of panel to change to Enable) and then press DOWN key at top of Control Panel to proceed to next sub-function. Screen will show:

03: BYPASS EVENTS
Enable ↵

To enable logging of bypass events and proceed to the next event logger option, press DOWN key at top of Control Panel. To change the default from Enable to Disable, press OK at top of Control Panel (if Disable is displayed, press OK at top of panel to change to Enable) and then press DOWN key at top of Control Panel to proceed to next sub-function. Screen will show:

04: LOW BATTERY
Enable ↵

To enable logging of low battery events and proceed to the next event logger option, press DOWN key at top of Control Panel. To change the default from Enable to Disable, press OK at top of Control Panel (if Disable is displayed, press OK at top of panel to

change to Enable) and then press DOWN key at top of Control Panel to proceed to next sub-function. Screen will show:

05: OPEN/CLOSE Enable ↵

To enable logging of open/close events and proceed to the next event logger option, press DOWN key at top of Control Panel. To change the default from Enable to Disable, press OK at top of Control Panel (if Disable is displayed, press OK at top of panel to change to Enable).

On conclusion of all sub-functions (when sub-function 01 is again displayed), press ESC key at top of Control Panel twice to return to the System Options. Now press DOWN key at top of Control Panel to proceed to the Access Codes menu.

3.2.4 Access Codes

From the System Options menu as shown in Section 3.2.3 above, press DOWN key at top of Control Panel. Screen will show:

INSTALLER MENU 4: ACCESS CODES

To view the first function (Installer Code), press OK at top of Control Panel. Screen will show:

01: INSTALL. CODE 9876 ↵

If 9876 is the desired installer code, press DOWN key at top of Control Panel to proceed to next sub-function.

To change the installer code, press OK at top of Control Panel. The "9" in 9876 will blink. Using the numeric keypad like a cellular telephone keypad, change the "9" to the desired digit. The "8" will then blink. Change the "8" to the desired digit. Do the same for the "7" and the "6"

When desired Installer Code is correctly displayed, press OK at top of Control Panel to proceed to the next sub-function. Screen will show:

02: MASTER CODE
1234 ↵

If 1234 is the desired master code, press DOWN key at top of Control Panel to proceed to next sub-function.

To change the master code, press OK at top of Control Panel. The "1" in 1234 will blink. Using the numeric keypad like a cellular telephone keypad, change the "1" to the desired digit. The "2" will then blink. Change the "2" to the desired digit. Do the same for the "3" and the "4"

On conclusion of all sub-functions (when sub-function 01 is again displayed), press ESC to return to Access Codes menu. Now press DOWN key at top of Control Panel to proceed to the Output Options menu.

3.2.5 Output Options

From the Access Codes menu as shown in Section 3.2.4 above, press DOWN key at top of Control Panel. Screen will show:

INSTALLER MENU
5: OUTPUT OPTIONS

This defines the output options for the PGM devices used for the system. To view the options for the first PGM device, press OK at top of Control Panel. Screen will show:

PGM No: 1
GATE

To confirm 1 as the current device number, press OK at top of Control Panel. Screen will show:

01: DEVICE LABEL
GATE ↵

If Gate is the correct device name for this device, press DOWN key at top of Control Panel to proceed to next sub-function.

To change the device name, press OK at top of Control Panel. The ↵ character will be replaced by ¶. Screen will show:

01: DEVICE LABEL *Gate ‡

To select device name for this device (Note: a list of device names appears in the Appendix to this manual), press DOWN or UP keys at top of Control Panel until desired device name is displayed, and then press DOWN key at top of Control Panel to proceed to next sub-function.

Screen will show:

02: ON BY ARMING Disable ↵

To disable the "turn device on by arming" function and proceed to the next PGM device option, press DOWN key at top of Control Panel. To change the default from Disable to Enable, press OK at top of Control Panel (if Enable is displayed, press OK at top of panel to change to Disable) and then press DOWN key at top of Control Panel to proceed to next sub-function. Screen will show:

03: ON BY DELAY Disable ↵

To disable the "turn device on by delay" function and proceed to the next PGM device option, press DOWN key at top of Control Panel. To change the default from Disable to Enable, press OK at top of Control Panel (if Enable is displayed, press OK at top of panel to change to Disable) and then press DOWN key at top of Control Panel to proceed to next sub-function. Screen will show:

04: ON BY KEYFOB Disable ↵

To disable the "turn device on by keyfob" function and proceed to the next PGM device option, press DOWN key at top of Control Panel. To change the default from Disable to Enable, press OK at top of Control Panel (if Enable is displayed, press OK at top of panel to change to Disable) and then press DOWN key at top of Control Panel to proceed to next sub-function. Screen will show:

05: ON BY TIMER Disable ↵

To disable the "turn device on by timer" function and proceed to the next PGM device option, press DOWN key at top of Control Panel. To change the default from Disable to Enable, press OK at top of Control Panel (if Enable is displayed, press OK at top of panel to change to Disable) and then press DOWN key at top of Control Panel to proceed to next sub-function. Screen will show:

06: ON AS SIREN Disable ↵

To disable the "turn device on as siren" function and proceed to the next PGM device option, press DOWN key at top of Control Panel. To change the default from Disable to Enable, press OK at top of Control Panel (if Enable is displayed, press OK at top of panel to change to Disable) and then press DOWN key at top of Control Panel to proceed to next sub-function. Screen will show:

07: START TIME 00:00 A

If 00:00 AM is the correct start time, press DOWN key at top of Control Panel to proceed to next sub-function.

To change the start time, press OK at top of Control Panel. The first "0" will blink. Using the numeric keypad like a cellular telephone keypad, change the "0" to the desired digit. The next "0" will then blink. Change the "0" to the desired digit. Now do the same for the third "0" and the fourth "0", followed by "0" for AM and "1" for PM. Now press DOWN key at top of Control Panel to proceed to next sub-function.

Screen will show:

08: STOP TIME 00:00 A

If 00:00 AM is the correct stop time, press DOWN key at top of Control Panel to proceed to next sub-function.

To change the stop time, press OK at top of Control Panel. The first "0" will blink. Using the numeric keypad like a cellular telephone keypad, change the "0" to the desired digit. The next "0" will then

blink. Change the "0" to the desired digit. Now do the same for the third "0" and the fourth "0", followed by "0" for AM and "1" for PM.

On conclusion of all sub-functions (when sub-function 01 is again displayed), press ESC. Screen will again show:

PGM No: 1 GATE

To repeat the above process for PGM No. 2, press DOWN key at top of Control Panel. Screen will show:

PGM No: 2 GARAGE DOOR

Repeat all of the above steps.

On conclusion of all sub-functions (when sub-function 01 is again displayed), press ESC to return to Output Options menu. Now press DOWN key at top of Control Panel to proceed to the X-10 Options menu.

3.2.6 X-10 Options

From the Output Options menu as shown in Section 3.2.5 above, press DOWN key at top of Control Panel. Screen will show:

INSTALLER MENU 6: X-10 OPTIONS

This defines the output options for the X-10 devices used for the system.

Before viewing the options for the first X-10 device, it is necessary to set the house code (the code for the network on which the X-10 appliances are located). From the X-10 Options menu, press OK at top of Control Panel. Screen will show:

01: HOUSE CODE A ↵

To confirm A as the house code and view the options for the first X-10 device, press OK at top of Control Panel. To change the house code and view the options for the first X-10 device, key in a one-digit

hexadecimal house code (1-9 or A-E) and press OK at top of Control Panel. Screen will show:

X-10 No: 1 APPLIANCE 1

To confirm 1 as the current appliance number, press OK at top of Control Panel. Screen will show:

01: APPL. LABEL Appliance 1 ↵

If Appliance 1 is the correct name for this appliance, press DOWN key at top of Control Panel to proceed to next sub-function.

To change the appliance name, press OK at top of Control Panel. The ↵ character will be replaced by †. Screen will show:

02: APPL. LABEL * Appliance 1 †

To select appliance name for this appliance (Note: a list of appliance names appears in the Appendix to this manual), press DOWN or UP keys at top of Control Panel until desired appliance name is displayed, and then press DOWN key at top of Control Panel to proceed to next sub-function. Screen will show:

03: DEVICE CODE 1 ↵

If 1 is the correct device code, press DOWN key at top of Control Panel to proceed to next sub-function.

To change the device code, press OK at top of Control Panel. The "1" will blink. Using the numeric keypad like a cellular telephone keypad, change the "1" to the desired digit or series of digits. Now press DOWN key at top of Control Panel to proceed to next sub-function.

Screen will show:

04: ON BY ARMING Disable ↵

To disable the "turn appliance on by arming" function and proceed to the next X-10 device option, press DOWN key at top of Control Panel. To change the default from Disable to Enable, press OK at top of Control Panel (if Enable is displayed, press OK at top of panel to change to Disable) and then press DOWN key at top of Control Panel to proceed to next sub-function. Screen will show:

05: ON BY DELAY Disable ↵

To disable the "turn appliance on by delay" function and proceed to the next X-10 device option, press DOWN key at top of Control Panel. To change the default from Disable to Enable, press OK at top of Control Panel (if Enable is displayed, press OK at top of panel to change to Disable) and then press DOWN key at top of Control Panel to proceed to next sub-function. Screen will show:

06: ON BY KEYFOB Disable ↵

To disable the "turn appliance on by keyfob" function and proceed to the next X-10 device option, press DOWN key at top of Control Panel. To change the default from Disable to Enable, press OK at top of Control Panel (if Enable is displayed, press OK at top of panel to change to Disable) and then press DOWN key at top of Control Panel to proceed to next sub-function. Screen will show:

07: ON BY TIMER Disable ↵

To disable the "turn appliance on by timer" function and proceed to the next X-10 device option, press DOWN key at top of Control Panel. To change the default from Disable to Enable, press OK at top of Control Panel (if Enable is displayed, press OK at top of panel to change to Disable) and then press DOWN key at top of Control Panel to proceed to next sub-function. Screen will show:

08: START TIME 00:00 A

If 00:00 AM is the correct start time, press DOWN key at top of Control Panel to proceed to next sub-function.

To change the start time, press OK at top of Control Panel. The first "0" will blink. Using the numeric keypad like a cellular telephone keypad, change the "0" to the desired digit. The next "0" will then blink. Change the "0" to the desired digit. Now do the same for the third "0" and the fourth "0", followed by "0" for AM and "1" for PM. Now press DOWN key at top of Control Panel to proceed to next sub-function.

Screen will show:

09: STOP TIME 03:50 P

If 00:00 AM is the correct stop time, press DOWN key at top of Control Panel to proceed to next sub-function.

To change the stop time, press OK at top of Control Panel. The first "0" will blink. Using the numeric keypad like a cellular telephone keypad, change the "0" to the desired digit. The next "0" will then blink. Change the "0" to the desired digit. Now do the same for the third "0" and the fourth "0", followed by "0" for AM and "1" for PM.

On conclusion of all sub-functions (when sub-function 01 is again displayed), press ESC. Screen will again show:

X-10 No: 1 APPLIANCE 1

To repeat the above process for X-10 No. 2, press DOWN key at top of Control Panel. Screen will show:

X-10 No: 2 APPLIANCE 2

Repeat all of the above steps for X-10 No. 2 through 8.

On conclusion of all sub-functions (when sub-function 01 is again displayed), press ESC to return to X-10 Options menu. Now press DOWN key at top of Control Panel to proceed to the Communications Options menu.

3.2.7 Communications Options

From the X-10 Options menu as shown in Section 3.2.6 above, press DOWN key at top of Control Panel. Screen will show:

INSTALLER MENU 7: COMM. OPTIONS

This defines the communications options provided by the system. To view the first Central Station options, press OK at top of Control Panel. Screen will show:

COMMUNICATIONS 1. C.S. 1 Options

Press OK at top of Control Panel. Screen will show:

01: 1ST CS TEL # 21 ↵

If 21 is the correct first telephone number for the Central Station, press DOWN key at top of Control Panel to proceed to next sub-function.

To change the first telephone number of the Central Station, press OK at top of Control Panel. The "2" of 21 will blink. Using the numeric keypad like a cellular telephone keypad, change the "2" to the desired digit. Now the "1" of 21 will blink. Change the "1" to the desired digit. If necessary, add a digit or series of digits in order to complete the telephone number. Now press DOWN key at top of Control Panel to proceed to next sub-function.

Screen will show:

02: 1ST ACCOUNT # 001111 ↵

If 001111 is the correct first account number, press DOWN key at top of Control Panel to proceed to next sub-function.

To change the first account number, press OK at top of Control Panel. The first "0" of 001111 will blink. Using the numeric keypad like a cellular telephone keypad, change the "0" to the desired digit. Now the second "0" will blink. Change the "0" to the desired digit.

Repeat for the remaining digits. If necessary, add a digit or series of digits in order to complete the telephone number. Now press DOWN key at top of Control Panel to proceed to next sub-function.

Screen will show:

03: 1ST REPORT FORMAT CONTACT ID ↵
--

If Contact ID is the correct first report format, press DOWN key at top of Control Panel to proceed to next sub-function.

To change the first report format, press OK at top of Control Panel. The ↵ character will be replaced by ‡. Screen will show:

03: 1ST REPORT FORMAT *CONTACT ID ‡

To select the first report format (Note: a list of report formats appears in the Appendix to this manual), press DOWN or UP keys at top of Control Panel until desired report format is displayed, and then press OK at top of Control Panel to proceed to next sub-function. Screen will show:

04: 1ST REPORT ->CS All Events ↵
--

If All Events is the correct option for transmission of the first report to the Central Station, press DOWN key at top of Control Panel to proceed to next sub-function.

To change the option for transmission of the first report to the Central Station, press OK at top of Control Panel. The ↵ character will be replaced by ‡. Screen will show:

04: 1ST REPORT ->CS *All Events ‡

To select the default option for transmission of the first report to the Central Station (Note: a list of report default options appears in the Appendix to this manual), press DOWN or UP keys at top of Control Panel until desired report default option is displayed.

On conclusion of all sub-functions (when sub-function 01 is again displayed), press ESC to return to Central Station 1 Options menu. Now press DOWN key at top of Control Panel to proceed to the Central Station 2 Options menu. Screen will show:

COMMUNICATIONS 2. C.S. 2 Options

Press OK at top of Control Panel. Screen will show:

01: 2ND CS TEL # 22 ↵

If 22 is the correct second telephone number for the Central Station, press DOWN key at top of Control Panel to proceed to next sub-function.

To change the second telephone number of the Central Station, press OK at top of Control Panel. The first "2" of 22 will blink. Using the numeric keypad like a cellular telephone keypad, change the "2" to the desired digit. Now the second "2" of 22 will blink. Change the "2" to the desired digit. If necessary, add a digit or series of digits in order to complete the telephone number. Now press DOWN key at top of Control Panel to proceed to next sub-function.

Screen will show:

02: 2ND ACCOUNT # 002222 ↵

If 002222 is the correct second account number, press DOWN key at top of Control Panel to proceed to next sub-function.

To change the second account number, press OK at top of Control Panel. The first "0" of 002222 will blink. Using the numeric keypad like a cellular telephone keypad, change the "0" to the desired digit. Now the second "0" will blink. Change the "0" to the desired digit. Repeat for the remaining digits. If necessary, add a digit or series of digits in order to complete the telephone number. Now press DOWN key at top of Control Panel to proceed to next sub-function.

Screen will show:

03: 2ND REPORT FORMAT
SIA FSK ↵

If SIA FSK is the correct second report format, press DOWN key at top of Control Panel to proceed to next sub-function.

To change the second report format, press OK at top of Control Panel. The ↵ character will be replaced by ‡. Screen will show:

03: 2ND REPORT FORMAT
*SIA FSK ‡

To select the second report format (Note: a list of report formats appears in the Appendix to this manual), press DOWN or UP keys at top of Control Panel until desired report format is displayed, and then press OK at top of Control Panel to proceed to next sub-function. Screen will show:

04: 2ND REPORT ->CS
None ↵

If None is the correct option for transmission of the second report to the Central Station, press DOWN key at top of Control Panel to proceed to next sub-function.

To change the option for transmission of the second report to the Central Station, press OK at top of Control Panel. The ↵ character will be replaced by ‡. Screen will show:

04: 2ND REPORT ->CS
*None ‡

To select the default option for transmission of the second report to the Central Station (Note: a list of report default options appears in the Appendix to this manual), press DOWN or UP keys at top of Control Panel until desired report default option is displayed.

On conclusion of all sub-functions (when sub-function 01 is again displayed), press ESC to return to C.S. 2 Options menu. Now press DOWN key at top of Control Panel to proceed to the Communicator menu. Screen will show:

COMMUNICATIONS
3. Communicator

Press OK at top of Control Panel. Screen will show:

01: COMMUNICATOR
Disable ↵

To disable the Communicator and proceed to the next communications option, press DOWN key at top of Control Panel. To change the default from Disable to Enable, press OK at top of Control Panel (if Enable is displayed, press OK at top of panel to change to Disable) and then press DOWN key at top of Control Panel to proceed to next sub-function. Screen will show:

02: CTRL STATION
Disable ↵

To disable the Central Station and proceed to the next communications option, press DOWN key at top of Control Panel. To change the default from Disable to Enable, press OK at top of Control Panel (if Enable is displayed, press OK at top of panel to change to Disable) and then press DOWN key at top of Control Panel to proceed to next sub-function. Screen will show:

03: REMOTE ACCESS
Enable ↵

To enable remote access and proceed to the next communications option, press DOWN key at top of Control Panel. To change the default from Enable to Disable, press OK at top of Control Panel (if Disable is displayed, press OK at top of panel to change to Enable) and then press DOWN key at top of Control Panel to proceed to next sub-function. Screen will show:

04: AUDIO VER. ENB
Disable ↵

To enable audio and proceed to the next communications option, press DOWN key at top of Control Panel. To change the default from Disable to Enable, press OK at top of Control Panel (if Enable is displayed, press OK at top of panel to change to Disable) and then

press DOWN key at top of Control Panel to proceed to next sub-function. Screen will show:

05: DSBL WAITING Disable ↵

To disable waiting time and proceed to the next communications option, press DOWN key at top of Control Panel. To change the default from Disable to Enable, press OK at top of Control Panel (if Enable is displayed, press OK at top of panel to change to Disable) and then press DOWN key at top of Control Panel to proceed to next sub-function. Screen will show:

06: DIAL TYPE Tone ↵

To confirm that the dial type is Tone and proceed to the next communications option, press DOWN key at top of Control Panel. To change the default from Tone to Pulse, press DOWN key at top of Control Panel (if Pulse is displayed, press UP key at top of panel to change to Tone) and then press OK at top of Control Panel to proceed to next sub-function. Screen will show:

07: BLIND DIAL Disable ↵

To disable blind dialing and proceed to the next communications option, press DOWN key at top of Control Panel. To change the default from Disable to Enable, press OK at top of Control Panel (if Enable is displayed, press OK at top of panel to change to Disable) and then press DOWN key at top of Control Panel to proceed to next sub-function. Screen will show:

08: CALL PROGRESS Disable ↵

To disable the call progress option and proceed to the next communications option, press DOWN key at top of Control Panel. To change the default from Disable to Enable, press OK at top of Control Panel (if Enable is displayed, press OK at top of panel to change to Disable) and then press DOWN key at top of Control Panel to proceed to next sub-function. Screen will show:

09: DIAL ATTEMPTS 3 ↵

If 3 is the correct number of dial attempts, press DOWN key at top of Control Panel to proceed to next sub-function.

To change the number of dial attempts, press OK at top of Control Panel. The "3" will blink. Using the numeric keypad like a cellular telephone keypad, change the "3" to the desired digit or series of digits. Now press DOWN key at top of Control Panel to proceed to next sub-function.

Screen will show:

10: ATTEMPTS DELAY <u>10</u>

If 10 is the correct number of seconds for delay between dial attempts, press DOWN key at top of Control Panel to proceed to next sub-function.

To change the number of seconds for delay, press OK at top of Control Panel. The "1" of 10 will blink. Using the numeric keypad like a cellular telephone keypad, change the "1" to the desired digit. Now the "0" of 10 will blink. Change the "0" to the desired digit. If necessary, add a digit or series of digits in order to complete the number. Now press DOWN key at top of Control Panel to proceed to next sub-function.

Screen will show:

11: CS RETRIES 3 ↵
--

If 3 is the correct number of attempts to send message after Central Station has answered, press DOWN key at top of Control Panel to proceed to next sub-function.

To change the number of retry attempts, press OK at top of Control Panel. The "3" will blink. Using the numeric keypad like a cellular telephone keypad, change the "3" to the desired digit or series of digits. Now press DOWN key at top of Control Panel to proceed to next sub-function.

Screen will show:

12: TEL LINE TEST Test None ↵

If Test None is the correct line test schedule, press DOWN key at top of Control Panel to proceed to next sub-function.

To change the line test schedule, press OK at top of Control Panel. The ↵ character will be replaced by ‡. Screen will show:

12: TEL LINE TEST *Test None ‡

To select the default period for telephone line testing (Note: a list of period options appears in the Appendix to this manual), press DOWN or UP keys at top of Control Panel until desired period option is displayed, and then press OK at top of Control Panel to proceed to next sub-function. Screen will show:

13: TEST TIME 00:00 ↵

If 00:00 is the correct test time, press DOWN key at top of Control Panel to proceed to next sub-function.

To change the test time, press OK at top of Control Panel. The ↵ character will be replaced by ‡. Screen will show:

13: TEST TIME 00:00 ‡

To change the test time, press OK at top of Control Panel. The first "0" will blink. Using the numeric keypad like a cellular telephone keypad, change the "0" to the desired digit. The next "0" will then blink. Change the "0" to the desired digit. Now do the same for the third "0" and the fourth "0", to set the test time in 24-hour format. Now press DOWN key at top of Control Panel to proceed to next sub-function.

Screen will show:

14: TEST DAY
Monday ↵

If Monday is the correct test day, press DOWN key at top of Control Panel to proceed to next sub-function.

To change the test day, press OK at top of Control Panel. The ↵ character will be replaced by ‡. Screen will show:

14: TEST DAY
*Monday ‡

To select the default day of the week for telephone line testing, press DOWN or UP keys at top of Control Panel until desired period option is displayed.

On conclusion of all sub-functions (when sub-function 01 is again displayed), press ESC to return to Communicator menu. Now press DOWN key at top of Control Panel to proceed to the Download Options menu. Screen will show:

COMMUNICATIONS
4. Download Opt.

Press OK at top of Control Panel. Screen will show:

01: DOWNLOAD
Enable ↵

Note: These functions are discussed in Section 3.2.9 below.

On conclusion of all sub-functions (when sub-function 01 is again displayed), press ESC to return to Communications Options menu. Now press DOWN key at top of Control Panel to proceed to the Report Codes menu.

3.2.8 Report Codes

From the Communications Options menu as shown in Section 3.2.7 above, press DOWN key at top of Control Panel. Screen will show:

INSTALLER MENU
8: REPORT CODES

This defines the communications options provided by the system. To view the first Central Station options, press OK at top of Control Panel. Screen will show:

REPORTING CODES
1. Zone Codes

Press OK at top of Control Panel. Screen will show:

ENTER ZONE # 1
FRONT DOOR

To confirm Zone 1 as the zone now being programmed, press OK at top of Control Panel. To change the default, key in the desired number on numeric keypad and press OK at top of Control Panel.

Screen will show:

01: ALARM EV. 60
Restore 70 ↵

To confirm the hexadecimal codes which will indicate in the report that an alarm event has occurred in this zone and that the system has subsequently been restored to normal operation, press DOWN at top of Control Panel. To change the default, key in the desired codes on numeric keypad and press OK and then DOWN at top of Control Panel to proceed to next sub-function. Screen will show:

02: TROUBLE EV. 80
Restore 90 ↵

To confirm the hexadecimal codes which will indicate in the report that a malfunction event has occurred in this zone and that the system has subsequently been restored to normal operation, press DOWN at top of Control Panel. To change the default, key in the desired codes on numeric keypad and press OK and then DOWN at top of Control Panel to proceed to next sub-function. Screen will show:

03: TAMPER EV. A0
Restore B0 ↵

To confirm the hexadecimal codes which will indicate in the report that tampering has occurred in this zone and that the system has subsequently been restored to normal operation, press DOWN at top of Control Panel. To change the default, key in the desired codes on numeric keypad and press OK and then DOWN at top of Control Panel to proceed to next sub-function. Screen will show:

04: L. BATT. EV. C0 Restore D0 ↵

To confirm the hexadecimal codes which will indicate in the report that a low battery event has occurred in this zone and that the system has subsequently been restored to normal operation, press DOWN at top of Control Panel. To change the default, key in the desired codes on numeric keypad and press OK and then DOWN at top of Control Panel to proceed to next sub-function. Screen will show:

05: BYPASS EV. E0 Restore F0 ↵

To confirm the hexadecimal codes which will indicate in the report that this zone has been bypassed and that the system has subsequently been restored to normal operation, press DOWN at top of Control Panel. To change the default, key in the desired codes on numeric keypad and press OK and then DOWN at top of Control Panel.

On conclusion of all sub-functions (when sub-function 01 is again displayed), press ESC to return to Zone Codes menu. Now press DOWN at top of Control Panel to proceed to the next sub-function, Emergency Alarm.

Screen will show:

REPORTING CODES 6. Emerg. Alarm

Press OK at top of Control Panel. Screen will show:

01: PANIC EV. B1 Restore B2 ↵

To confirm the hexadecimal codes which will indicate in the report that a panic event has occurred and that the system has subsequently been restored to normal operation, press DOWN at top of Control Panel. To change the default, key in the desired codes on numeric keypad and press OK and then DOWN at top of Control Panel to proceed to next sub-function. Screen will show:

02: MEDICAL EV. B3 Restore B4 ↵

To confirm the hexadecimal codes which will indicate in the report that a medical event has occurred and that the system has subsequently been restored to normal operation, press DOWN at top of Control Panel. To change the default, key in the desired codes on numeric keypad and press OK and then DOWN at top of Control Panel to proceed to next sub-function. Screen will show:

03: FIRE EV. B5 Restore B6 ↵

To confirm the hexadecimal codes which will indicate in the report that a fire event has occurred and that the system has subsequently been restored to normal operation, press DOWN at top of Control Panel. To change the default, key in the desired codes on numeric keypad and press OK and then DOWN at top of Control Panel to proceed to next sub-function. Screen will show:

04: DURESS EV. B7 Restore B8 ↵

To confirm the hexadecimal codes which will indicate in the report that a duress event has occurred and that the system has subsequently been restored to normal operation, press DOWN at top of Control Panel. To change the default, key in the desired codes on numeric keypad and press OK and then DOWN at top of Control Panel.

On conclusion of all sub-functions (when sub-function 01 is again displayed), press ESC to return to Emerg. Alarm menu. Now press DOWN at top of Control Panel to proceed to the next sub-function, Arm / Disarm.

Screen will show:

REPORTING CODES
7. Arm / Disarm

Press OK at top of Control Panel. Screen will show:

01: 1st USER
Arm A1 Dsarm C1 ↵

To confirm the hexadecimal codes which will indicate in the report that User 1 has armed (AWAY) and has subsequently disarmed the system, press DOWN at top of Control Panel. To change the default, key in the desired codes on numeric keypad and press OK and then DOWN at top of Control Panel to proceed to next sub-function. Screen will show:

02: 2nd USER
Arm A2 Dsarm C2 ↵

Repeat the process described in the previous paragraph for this sub-function and each of the following sub-functions:

- 03: 3rd USER
- 04: 4th USER
- 05: 5th USER
- 06: 6th USER
- 07: MASTER
- 08: 1st ONE TIME
- 09: 2nd ONE TIME
- 10: DURESS
- 11: REMOTE ARM
- 12: AUTO
- 13: FORCE ARM / QUICK ARM
- 14: HOME ARM

On conclusion of all sub-functions (when sub-function 01 is again displayed), press ESC to return to Arm / Disarm menu. Now press DOWN at top of Control Panel to proceed to the next sub-function, Maintenance.

Screen will show:

REPORTING CODES
8. Maintenance

Press OK at top of Control Panel. Screen will show:

01: PWR FAIL E1 Restore E2 ↵

To confirm the hexadecimal codes which will indicate in the report that a power failure event has occurred and that the system has subsequently been restored to normal operation, press DOWN at top of Control Panel. To change the default, key in the desired codes on numeric keypad and press OK and then DOWN at top of Control Panel to proceed to next sub-function. Screen will show:

02: L. BATT. EV E3 Restore E4 ↵

To confirm the hexadecimal codes which will indicate in the report that a low battery event has occurred in the Control Panel and that the system has subsequently been restored to normal operation, press DOWN at top of Control Panel. To change the default, key in the desired codes on numeric keypad and press OK and then DOWN at top of Control Panel to proceed to next sub-function. Screen will show:

Repeat the process described in the previous paragraph for each of the following sub-functions:

- 03: TLN ALERT
- 04: RTC ALERT
- 05: LOG FULL

On conclusion of all sub-functions (when sub-function 01 is again displayed), press ESC to return to Maintenance menu. Now press DOWN at top of Control Panel to proceed to the next sub-function, Misc. Codes.

Screen will show:

REPORTING CODES 9. Misc. Codes

Press OK at top of Control Panel. Screen will show:

01: COD. FALSE B9
Code Cancel DB ↵

To confirm the hexadecimal codes which will indicate in the report that a false code event has occurred and that the code has subsequently been canceled, press DOWN at top of Control Panel. To change the default, key in the desired codes on numeric keypad and press OK and then DOWN at top of Control Panel to proceed to next sub-function. Screen will show:

02: TEST CODE DA
CP Reset DC ↵

To confirm the hexadecimal codes which will indicate in the report that a test code event has occurred and that the Control Panel has subsequently been reset, press DOWN at top of Control Panel. To change the default, key in the desired codes on numeric keypad and press OK and then DOWN at top of Control Panel to proceed to next sub-function. Screen will show:

03: INSTALLATION
Entry D8 Exit D9 ↵

To confirm the hexadecimal codes which will indicate in the report that the installation process has begun and has been concluded, press DOWN at top of Control Panel. To change the default, key in the desired codes on numeric keypad and press OK and then DOWN at top of Control Panel to proceed to next sub-function. Screen will show:

04: TAMPER EV. DD
Restore DE ↵

To confirm the hexadecimal codes which will indicate in the report that tampering with the Control Panel has occurred and that the system has subsequently been restored to normal operation, press DOWN at top of Control Panel. To change the default, key in the desired codes on numeric keypad and press OK and then DOWN at top of Control Panel to proceed to next sub-function. Screen will show:

05: EXIT ERR. 00
RECENT CLOSE 00↵

To confirm the hexadecimal codes which will indicate in the report that an exit error has been made in the installation process (an entry/exit zone is violated when the system is armed, and the system is immediately disarmed thereafter) and that a recent close event has occurred (an alarm occurs within two minutes after arming the system), press DOWN at top of Control Panel. To change the default, key in the desired codes on numeric keypad and press OK and then DOWN at top of Control Panel.

On conclusion of all sub-functions (when sub-function 01 is again displayed), press ESC to return to Report Codes menu. Now press DOWN key at top of Control Panel to proceed to the Download Options menu.

3.2.9 Download Options

From the Communications Options menu as shown in Section 3.2.8 above, press DOWN key at top of Control Panel. Screen will show:

COMMUNICATIONS
4. Download Opt.

Press OK at top of Control Panel. Screen will show:

01: DOWNLOAD
Enable ↵

To enable downloading and proceed to the next download option, press DOWN key at top of Control Panel. To change the default from Enable to Disable, press OK at top of Control Panel (if Disable is displayed, press OK at top of panel to change to Enable) and then press DOWN key at top of Control Panel to proceed to next sub-function. Screen will show:

02: DOWNLOAD TEL
23 ↵

If 23 is the correct telephone number for the download option, press DOWN key at top of Control Panel to proceed to next sub-function.

To change the telephone number for the download option, press OK at top of Control Panel. The "2" of 23 will blink. Using the numeric keypad like a cellular telephone keypad, change the "2" to the desired digit. Now the "3" of 23 will blink. Change the "3" to the desired digit. If necessary, add a digit or series of digits in order to complete the telephone number. Now press DOWN key at top of Control Panel to proceed to next sub-function.

Screen will show:

03: DOWNLOAD CODE 1333 ↵

If 1333 is the correct download code, press DOWN key at top of Control Panel to proceed to next sub-function.

To change the download code, press OK at top of Control Panel. The "1" of 1333 will blink. Using the numeric keypad like a cellular telephone keypad, change the "1" to the desired digit. Now the first "3" of 1333 will blink. Change the "3" to the desired digit. Repeat for the other digits. Now press DOWN key at top of Control Panel to proceed to next sub-function.

Screen will show:

04: PANEL ID 1444 ↵

If 1444 is the correct panel ID number, press DOWN key at top of Control Panel to proceed to next sub-function.

To change the panel ID number, press OK at top of Control Panel. The "1" of 1444 will blink. Using the numeric keypad like a cellular telephone keypad, change the "1" to the desired digit. Now the first "4" of 1444 will blink. Change the "4" to the desired digit. Repeat for the other digits. Now press DOWN key at top of Control Panel to proceed to next sub-function.

Screen will show:

05: RINGS NUMBER 3 ↵

If 3 is the correct number of rings for the download option, press DOWN key at top of Control Panel to proceed to next sub-function.

To change the number of rings, press OK at top of Control Panel. The "3" will blink. Using the numeric keypad like a cellular telephone keypad, change the "3" to the desired digit or series of digits. Now press DOWN key at top of Control Panel to proceed to next sub-function.

Screen will show:

06: CALLBACK Enable ↵

To enable the callback option and proceed to the next download option, press DOWN key at top of Control Panel. To change the default from Enable to Disable, press OK at top of Control Panel (if Disable is displayed, press OK at top of panel to change to Enable) and then press DOWN key at top of Control Panel to proceed to next sub-function. Screen will show:

07: DOUBLE CALL Enable ↵

To enable the double call option and proceed to the next download option, press DOWN key at top of Control Panel. To change the default from Enable to Disable, press OK at top of Control Panel (if Disable is displayed, press OK at top of panel to change to Enable) and then press DOWN key at top of Control Panel to proceed to next sub-function. Screen will show:

08: DBL CALL TIME 60 ↵

If 60 is the correct number of seconds for the double call function, press DOWN key at top of Control Panel to proceed to next sub-function.

To change the number of seconds, press OK at top of Control Panel. The "6" of 60 will blink. Using the numeric keypad like a cellular telephone keypad, change the "6" to the desired digit. Now the "0" will blink. Change the "0" to the desired digit.

On conclusion of all sub-functions (when sub-function 01 is again displayed), press ESC to return to Download Options menu. Now press DOWN key at top of Control Panel to proceed to the Enroll Zones menu.

3.2.10 Enroll Zones

From the Download Options menu as shown in Section 3.2.9 above, press DOWN key at top of Control Panel. Screen will show:

INSTALLER MENU
10: ENROLL ZONES

Note: Sections 3.2.10 and 3.2.11 must be performed for all sensors the first time the IntegrAlarm system is installed, and (under normal circumstances) need not be performed thereafter.

Press OK at top of Control Panel. Screen will show:

ENTER ZONE # 1
FRONT DOOR

To confirm Zone 1 as the zone now being enrolled, press OK at top of Control Panel. To change the default, key in the desired number on numeric keypad and press OK at top of Control Panel.

Screen will show:

PLEASE POWER UP
THE ZONE

Bring the sensor for zone 1 close to the Control Panel and connect its battery (or connect it to mains, as applicable). The sensor will transmit its serial number, type and mode to the Control Panel.

If the Control Panel receives this information from the sensor within a predefined time, screen will show:

S/N: XXXX
TYPE: YYYY

Screen will then change to:

PRESS OK TO
ACCEPT ZONE DATA

Press OK to accept the sensor type and serial number.

If the Control Panel receives no information from the sensor within a predefined time, screen will show:

PU NOT FOUND

Disconnect sensor from battery or mains and reconnect, and try again. If the same error message appears, replace the sensor.

When zone enrollment is complete, proceed to Place Test as described below.

3.2.11 Place Test

From the Enroll Zones menu as shown in Section 3.2.10 above, press DOWN key at top of Control Panel. Screen will show:

INSTALLER MENU
11: PLACE TEST

Note: This operation refers to the sensor for which Section 3.2.10 was just performed. Sections 3.2.10 and 3.2.11 must be performed for all sensors the first time the IntegrAlarm system is installed, and (under normal circumstances) need not be performed thereafter.

Press OK at top of Control Panel. Screen will show:

PLEASE ACTIVATE
THE ZONE

Go to zone 1, install the sensor and connect its battery (or connect it to mains, as applicable). The sensor will transmit its serial number, type and mode to the Control Panel.

If the Control Panel receives this information from the sensor within a predefined time, screen will show:

S/N: XXXX
TYPE: YYYY

If the signal level for this sensor is OK, the buzzer will sound and screen will then change to:

SIGNAL LEVEL OK

If the signal level for this sensor is not OK, the buzzer will not sound and screen will then change to:

SIGNAL LEVEL TOO LOW

Repeat Sections 3.2.10 and 3.2.11 for all zones. When zone enrollment and place test are complete, proceed to the remaining Installer Menu options listed in Section 3.2.12 below.

3.2.12 Others

From the Place Test menu as shown in Section 3.2.11 above, press DOWN key at top of Control Panel. Screen will show:

INSTALLER MENU 12: OTHERS

Press OK at top of Control Panel. Screen will show:

OTHERS MENU 1: CLEAR EVENT LOG

This option is used when the Event Logger is full.

Press OK on top of Control Panel. Screen will show:

DEL EVENTS OK

To clear Event Logger, press OK at top of Control Panel. Events will be deleted and Others Menu will again be displayed.

If clearing of Events Logger is not desired, press ESC at top of Control Panel twice to return to Others Menu and press DOWN key at top of Control Panel twice to reach the next sub-option, Factory Definitions.

Screen will show:

OTHERS MENU
2: FACTORY DEF.

Use this option to review factory definitions. On conclusion of review, press ESC at top of Control Panel to return to the above screen and press DOWN key at top of Control Panel, to reach the next sub-option, Diagnostics.

Screen will show:

OTHERS MENU
3: DIAGNOSTICS

Press OK at top of Control Panel. Screen will show:

TEST MENU
1. ZONE TEST

Perform this test and the remaining diagnostic tests (BUZZER SOUND, SIREN SOUND, LEDS TEST, SOUND MSGS.).

On conclusion of all sub-functions (when sub-function 01 is again displayed), press ESC to return to Arming Options menu and press DOWN key to proceed to next sub-function: Debug Info.

Screen will show:

OTHERS MENU
4: DEBUG INFO

Press OK at top of Control Panel. Screen will show:

01: BATTERY TEST
Disable ↵

To disable the battery test function and proceed to the next debug info option, press DOWN key at top of Control Panel. To change the default from Disable to Enable, press OK at top of Control Panel (if Enable is displayed, press OK at top of panel to change to Disable) and then press DOWN key at top of Control Panel to proceed to next sub-function. Screen will show:

02: PRINT RF INFO
Disable ↵

To disable printing of RF info and proceed to the next debug info option, press DOWN key at top of Control Panel. To change the default from Disable to Enable, press OK at top of Control Panel (if Enable is displayed, press OK at top of panel to change to Disable) and then press DOWN key at top of Control Panel to proceed to next sub-function. Screen will show:

03: SEND RF CMND Disable ↵

To disable the Send RF Command function and proceed to the next debug info option, press DOWN key at top of Control Panel. To change the default from Disable to Enable, press OK at top of Control Panel (if Enable is displayed, press OK at top of panel to change to Disable) and then press DOWN key at top of Control Panel to proceed to next sub-function. Screen will show:

04: RF ALWAYS OK Disable ↵

To disable the RF Always OK function and proceed to the next debug info option, press DOWN key at top of Control Panel. To change the default from Disable to Enable, press OK at top of Control Panel (if Enable is displayed, press OK at top of panel to change to Disable) and then press DOWN key at top of Control Panel to proceed to next sub-function. Screen will show:

05: RF SIMULATOR Enable ↵

To enable the RF simulator function and proceed to the next debug info option, press DOWN key at top of Control Panel. To change the default from Enable to Disable, press OK at top of Control Panel (if Disable is displayed, press OK at top of panel to change to Enable) and then press DOWN key at top of Control Panel to proceed to next sub-function. Screen will show:

06: KPD PHONE DIAL Disable ↵

To disable the Keypad Phone Dial function, press DOWN key at top of Control Panel. To change the default from Disable to Enable,

press OK at top of Control Panel (if Enable is displayed, press OK at top of panel to change to Disable) and then press DOWN key at top of Control Panel.

On conclusion of all sub-functions (when sub-function 01 is again displayed), press ESC to return to Others menu. Now press ESC again to complete the installation and programming process.

3.2.13 Saving Data

When all of the options in Sections 3.2.1 through 3.2.12 above have been completed and ESC has been pressed at the end of Section 3.2.12, the following screen will be displayed:

SAVE DATA? *No - x↵ Yes - ↵

Press ESC to return to the opening screen without saving data or OK to save data and return to the opening screen. If OK is pressed, screen will briefly show:

PLEASE WAIT... SAVING DATA

Screen will then return to original display.

This concludes the IntegrAlarm installation and programming process.