

# Product Instruction Manual

**Product Name:** LED downlight

**Model No.:** 531662XX

Manufacturer: Elec-tech International.,Co.Ltd

Address: Guangdong Province Zhihai City, Tanjiawan, No.1 Jinfeng Rd

Tel: 0756-3390990

Fax: 0756-3390778

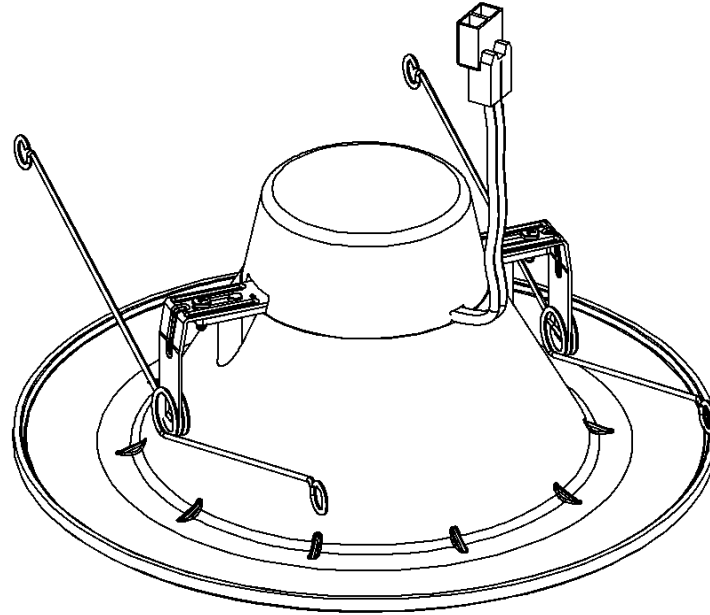
Web: [www.electech.com.cn](http://www.electech.com.cn)

# Directory

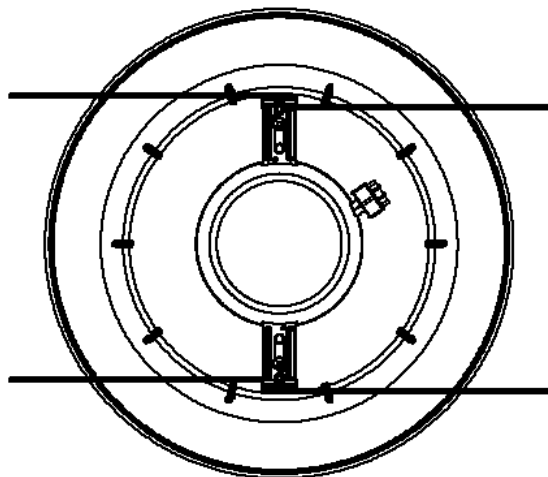
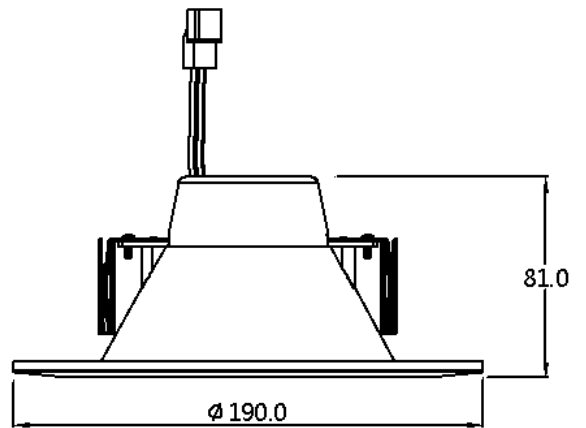
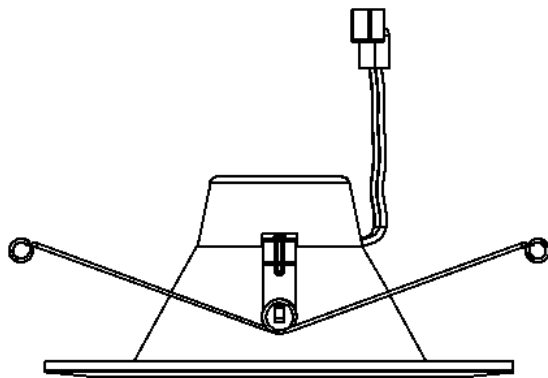
1. Product Introduction-----	3
1.1. Product Description -----	3
1.2. Product schematic diagram-----	3
2. Product features-----	3
2.1. Product characteristic -----	3
2.2. Specification-----	4
2.3. Light Distribution -----	4
3. Method of application-----	5
3.1. Installation instruction-----	5
3.2. Installation schematic diagram-----	6
3.3. Maintenance Instruction-----	7
4. Environmental requirement-----	7
5. Product carried standard-----	7
6. Package instruction-----	7
6.1. Package specification-----	7
6.2. Package list -----	7

# 1. Product Introduction

## 1.1. Product Description :



## 1.2. Product schematic diagram:



## 2. Product features

### 1.1 Specification

<b>Electronic ratings</b>	
Rated Power/W	11W
Rated Input voltage/V	AC 120V
Frequency/Hz	60Hz
Rated Power efficiency	>90%
Rated Power Factor	>0.9
Dimming method	Bluetooth dimmer
<b>Photometric ratings</b>	
LED Type/Quantity	2835/52pcs
Lumen/LM	670lm
Temperature/K	2700K-5000K
CRI	90
<b>Physical information</b>	
Material	AL、PBT
operating temperature	45°C
IP rating	IP20
Luminaire dimension(L×W×H)/mm	φ 190*81mm

## FCC Statement

This equipment has been tested and found to comply with the limits for a Class B digital device, pursuant to Part 15 of the FCC Rules. These limits are designed to provide reasonable protection against harmful interference in a residential installation. This equipment generates uses and can radiate radio frequency energy and, if not installed and used in accordance with the instructions, may cause harmful interference to radio communications. However, there is no guarantee that interference will not occur in a particular installation. If this equipment does cause harmful interference to radio or television reception, which can be determined by turning the equipment off and on, the user is encouraged to try to correct the interference by one or more of the following measures:

- Reorient or relocate the receiving antenna.
- Increase the separation between the equipment and receiver.
- Connect the equipment into an outlet on a circuit different from that to which the receiver is connected.
- Consult the dealer or an experienced radio/TV technician for help.

This device complies with part 15 of the FCC Rules. Operation is subject to the following two conditions:

(1) This device may not cause harmful interference, and (2) this device must accept any interference received, including interference that may cause undesired operation.

Changes or modifications not expressly approved by the party responsible for compliance could void the user's authority to operate the equipment.

## IC STATEMENT

This device complies with Industry Canada's licence-exempt RSSs. Operation is subject to the following two conditions:

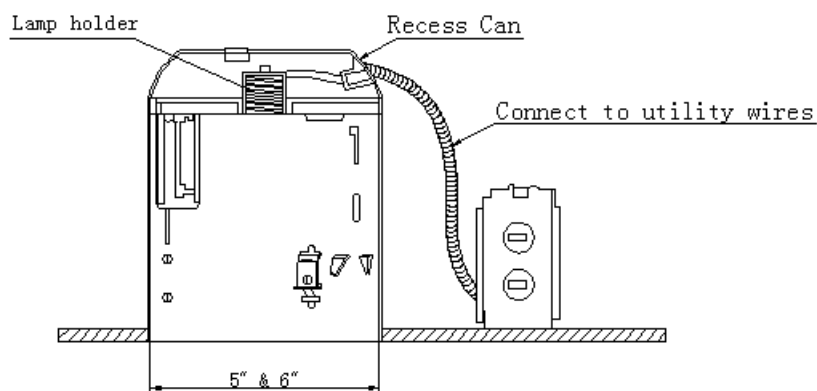
- (1) This device may not cause interference; and
- (2) This device must accept any interference, including interference that may cause undesired operation of the device.

Le présent appareil est conforme aux CNR d'Industrie Canada applicables aux appareils radio exempts de licence. L'exploitation est autorisée aux deux conditions suivantes : (1) l'appareil ne doit pas produire de brouillage, et (2) l'utilisateur de l'appareil doit accepter tout brouillage radioélectrique subi, même si le brouillage est susceptible d'en compromettre le fonctionnement.

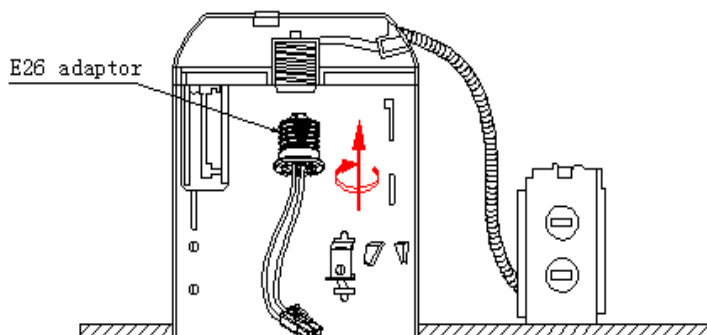
## 2 Method of application

### 2.1 Installation schematic diagram(A)

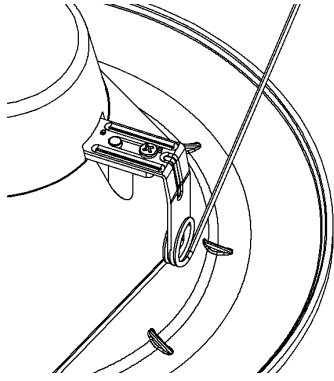
A: Turn off the power supply. Check the dimension of recessed can and the lamp holder type to see whether the retrofit kit can fit the luminaire.



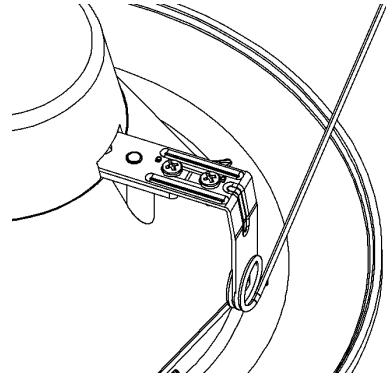
B: crew clockwise the E26 adaptor into the lamp holder. Tighten.



C: Choose the screws holes (5in or 6in location) according to the size of the recessed can, then fix the V clips holder to the corresponding screw holes. Refer to the image on the left for 5in recessed can, image on the right for the 6in can.

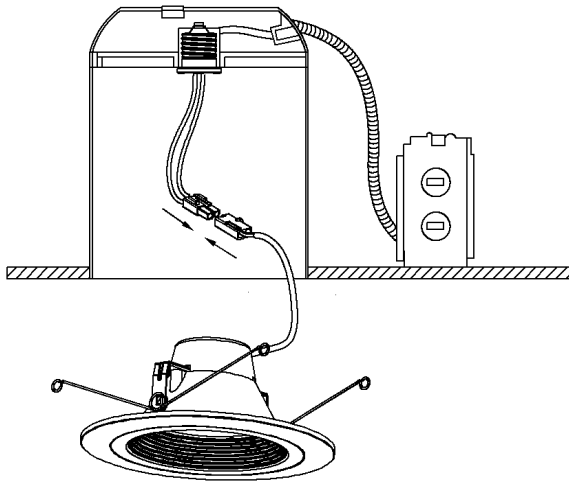


5 inch

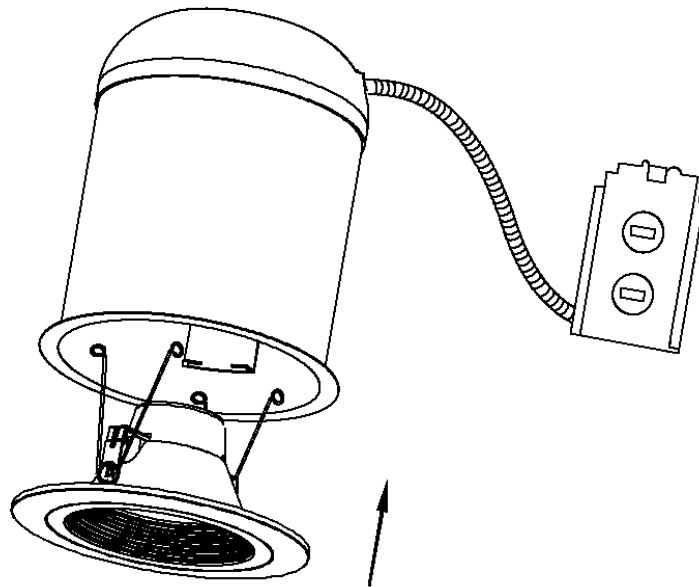


6 inch

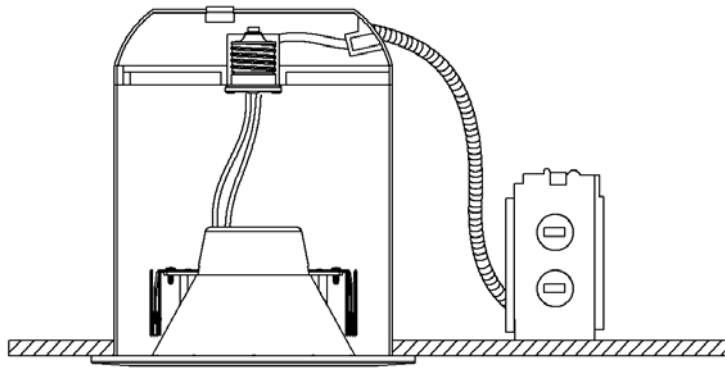
D: Connect the male to the female connector.



E: Squeeze the “V shape” clips to match the grooves on the inside of the can, and slide the luminaire up into the can firmly.

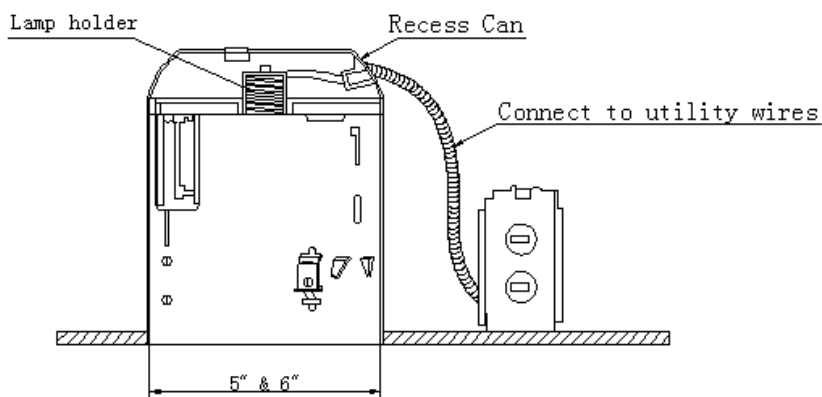


F: Make sure the trim ring is flush with ceiling. Turn on the light to check the luminaire working status.

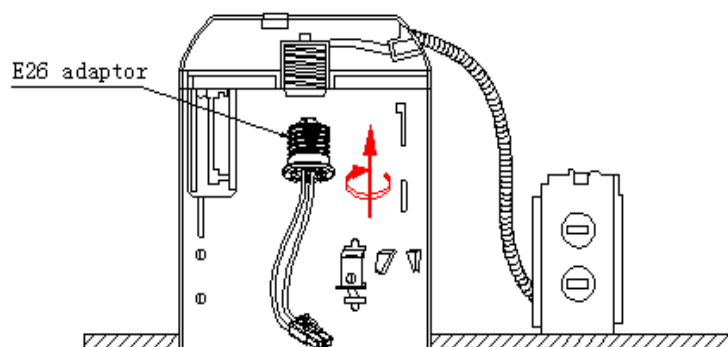


### 3.2 Installation schematic diagram(B)

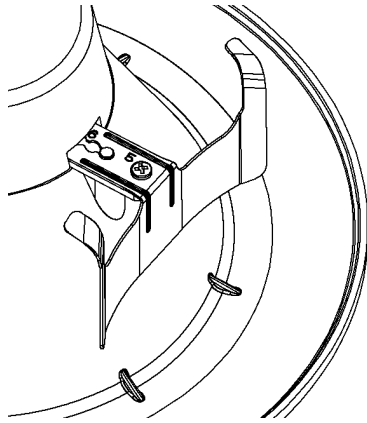
A: Turn off the power supply. Check the dimension of recessed can and the lamp holder type to see whether the retrofit kit can fit the luminaire.



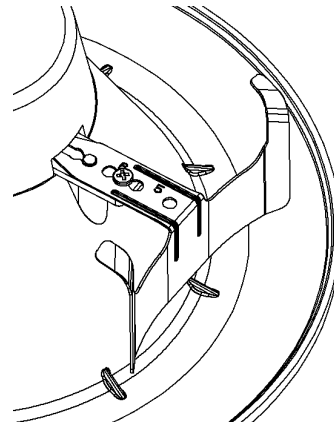
B: screw clockwise the E26 adaptor into the lamp holder. Tighten.



C: For the recessed can without ear, unscrew the V-clips holder and remove them. Install the friction clips onto the housing. Choose the screws holes (5in or 6in location) according to the size of the recessed can, then fix the V clips holder to the corresponding screw holes. Refer to the image on the left for 5in recessed can, image on the right for the 6in can.

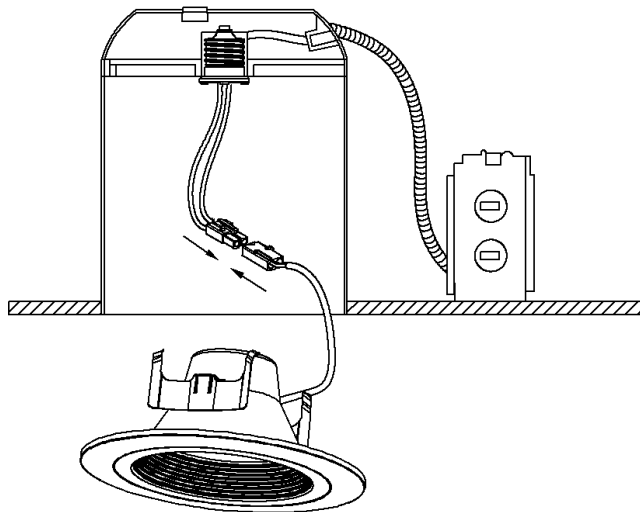


5 inch

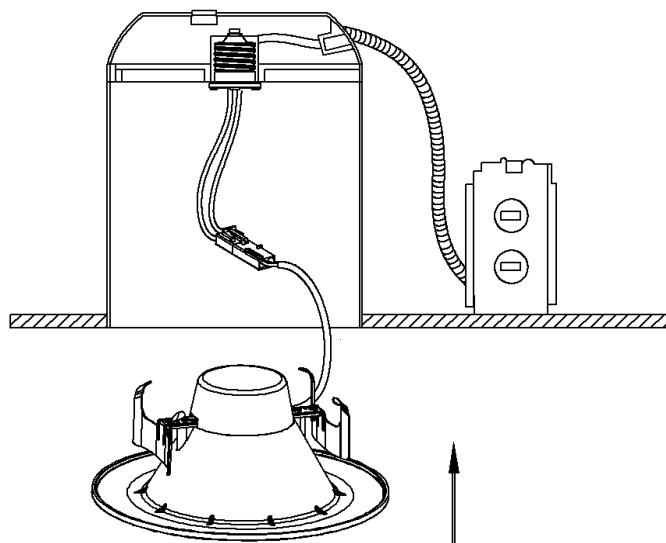


6 inch

D: Connect the male to the female connector.

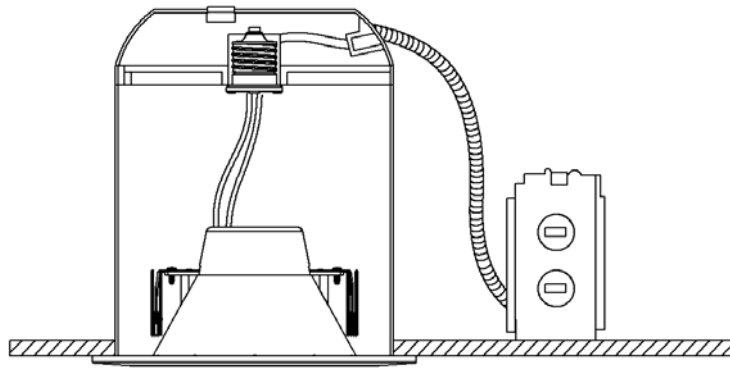


E: slide the luminaire up into the can firmly.



E: Make sure the trim ring is flush with ceiling. Turn on the light to check the luminaire working status.





Control the light with APP.

1. Download the APP from your smart device
2. Open the bluetooth on your smart device then open the APP
3. The APP will search the downlight within its range, then connect the smart device to the downlight
4. Slide the CCT bar or the brightness bar to change the color temp or brightness.

---

### 3.3 Maintenance Instruction

\*Do Not use volatile solvent such as alcohol to clean the troffer.

\*Use soft cotton cloth with suds to clean the troffer .

\*Non-professional do Not attempt to take apart and repair the troffer .

\*No disassemble the soft cord, if broken, please invite professional personnel or ask the manufacturer to change

### **3 Environmental requirement**

Operating temperature: 45°C ;