

ELEC-TECH INTERNATIONAL CO., LTD.

## Product Instruction Manual

**Product Name: LED ceiling lamp**

**Model No.: 540747## (##=00-99)**

Manufacturer: ETI Solid State Lighting (Zhuhai) Ltd

Address: No.1, Zhongzhu Road South, Science & Technology Innovation Coast,  
High Tech District, Zhuhai City, Guangdong Prov., China

# Contents

1. Product Introduction.....	3
1.1. Product Description.....	3
1.2. Product schematic diagram:.....	3
2. Product Features:.....	3
2.1. Product characteristics :.....	3
2.2 Specification.....	4
2.3 Light distribution ( Light distribution pattern ).....	4
( Illuminance distribution ).....	4
3 . Installation Instructions.....	5
4 . Maintenance instruction.....	9
5 . Environment requirement.....	9
6 . Package Carried Standard.....	9
7. Package Instruction.....	10
7.1 Packing Specification.....	10
7.2 Package list.....	10

# 1. Product Introduction

## 1.1. Product Description

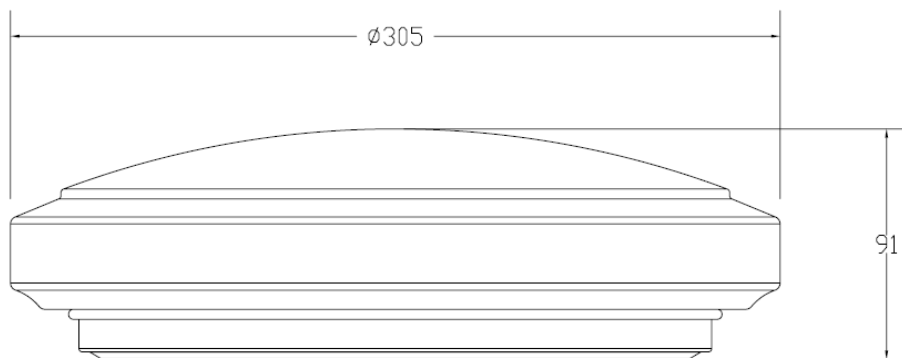
Dimension:  $\Phi$  305x91mm

Lamp plate : SPCC Powder spray, lamp cover:PMMA optical diffuser

built-in drive&fire prevention drive box

SUM-LED-2835

## 1.2. Product schematic diagram



# 2. Product Features

## 2.1. Product characteristics :

- a. Long lifetime (above 50,000hrs), 7 times of lifetime of fluorescent lamp:
- b. High efficiency, energy saving, environmental friendly (A 14W led lamp can replace a 60 w electric incandescent lamp , saving 60% of energy )
- c. Impact resistant, shock resistant, no UV and IR radiation: high conversion rate and adaptable to severe environment , universal application to office ,hotel ,supermarket ,school and library ,etc
- d. Green Initiative, no harmful gas is emitted, low heat is generated while used, safe and reliable .
- e. Authentic and pure light color, no flicker, protecting your eyes while providing better visual enjoyment .

## 2.2 Specification

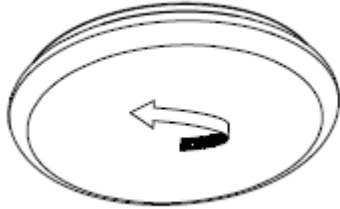
Item	Parameter
<b>Electronic ratings</b>	
Rated Power/W	15W
Rated Input voltage/V	AC120V
Frequency/Hz	60Hz
Rated Power efficiency	87%
Rated Power Factor (PF)	>0.7
Rated Input current/A	0.125A
Rated I- THD	<20%
Whether the dimming	No
RatedR9	>0
<b>Photometric ratings</b>	
LED type/Qty.	SMD2835 /88PCS
Rated Lumen Output	1600lm
Illuminance(1.5m)/Lux	
KCCT	4000K
Ra CRI	≥80
Beam Angle	≥120
<b>Physical information</b>	
Material	SPCC+PMMA
operating temperature	- 20~45℃
storage temperature	- 40~60℃
IP rating	IP20
(Luminaire dimension(L×W×H)/mm	Φ 305x91
Net weight/g	
Lifetime/hrs	50000h

## 2.3 Light distribution ( Light distribution pattern )

( I luminance distribution )

### 3. Installation Instructions

1. Put the Fixture flat on the desktop, turn the lamp shade counterclockwise , and then take out the lamp shade .



2. If necessary, according to the actual needs, choose to set the microwave induction distance(for details on height and manner of installation, see Radar Sensor Specification), time, trigger the brightness of induction.

2.1 The factory setting is:

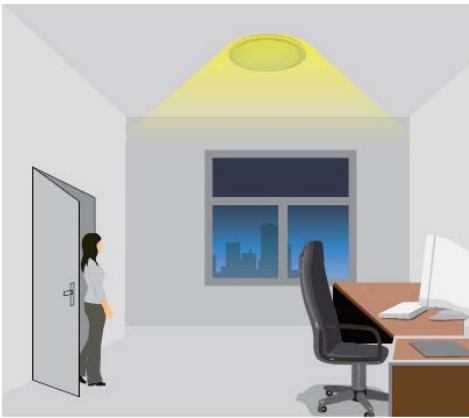
Detection range of 75% / waiting time of 5 minutes / light failure (that is, regardless of day and night, it was all bright, people left after the delay off)

2.2 This sensor is a motion switch, turns on the light on detection of movement, and turns off after a pre-selected hold-time when no movement around. A daylight sensor is also built-in to prevent the light from switching on when there is sufficient natural light.

2.2.1 With sufficient natural light, the light does not switch on when presence detected.



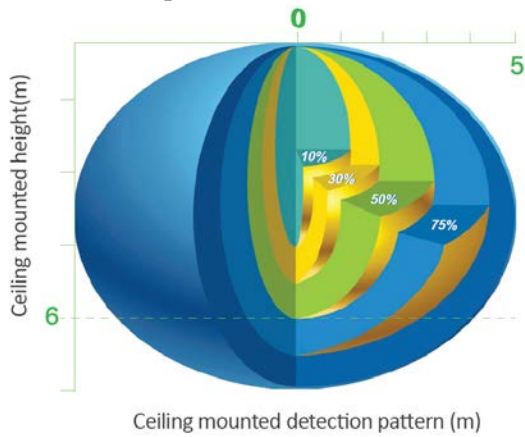
2.2.2 With insufficient natural light, it switches on the light automat when person enters the room.



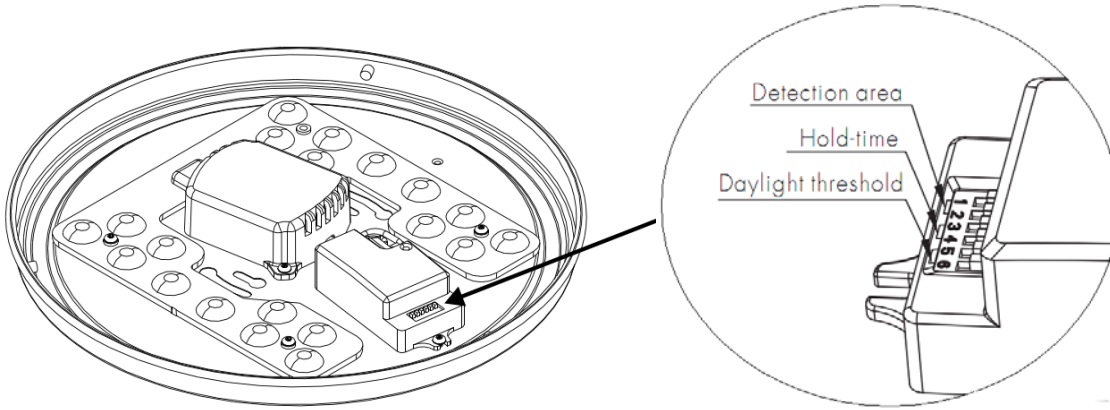
2.2.3 The sensor switches off the light automatically off. When there is no person detected.



### 2.3 Detection pattern



## 2.4 Settings



### 1 Detection area

Detection area can be reduced by selecting the combination on the DIP switches to fit precisely for each specific application.

	1	2	
I	●	●	100%
II	●	○	75%
III	○	●	50%
IV	○	○	10%

● ○

I – 100%  
II – 75%  
III – 50%  
IV – 10%

### 2 Hold-time

Hold-time means the time period you would like to keep the lamp on 100% after the person has left the detection area.

	3	4	
I	●	●	5s
II	●	○	90s
III	○	●	5min
IV	○	○	15min

● ○

I – 5s  
II – 90s  
III – 5min  
IV – 15min

### 3 Daylight sensor

The daylight threshold can be set on DIP switches, to fit for particular application.

	5	6	
I	●	●	Disable
II	●	○	50Lux
III	○	●	10Lux
IV	○	○	2Lux

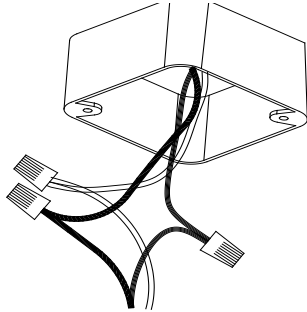
● ○

I – Disable  
II – 50Lux  
III – 10Lux  
IV – 2Lux

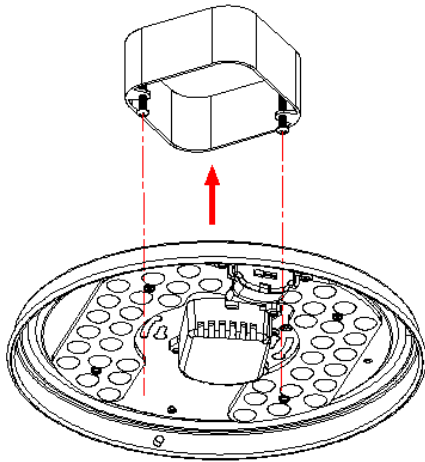
3. Install the electrical box screws (#8-32UNC) in the junction box.



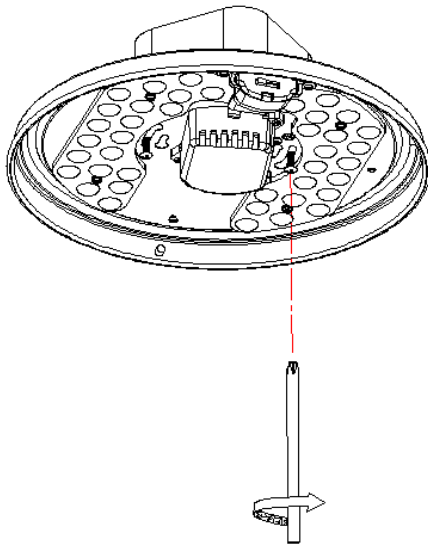
4. Connect the **black** color L line(Mark 1) to the L line come out from junction box with the wirecap. Connect the **white** color N line(Mark 2) to the N line come out from junction box with the wirecap. Connect green color ground line(Mark 3) to the ground line come out from junction box with the wirecap.



5. Put the central holes of the fixture plate across the screw of the junction box.

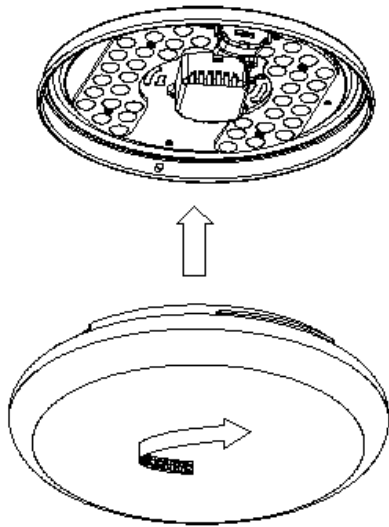


6. Rotate fixture plate per the direction of arrow and lock it tightly with the screw lock





7. Reinstall the lens to fixture and make sure the lens is fastened to the fixture.



8. Turn on power

## 4. Maintenance instruction

- 4.1 Do Not use volatile solvent such as alcohol to clean the troffer.
- 4.2 Use soft cotton cloth with suds to clean the troffer .
- 4.3 Non-professional Do not attempt to take apart and repair the troffer .
- 4.4 Please use the constant-current driver exclusively adaptive to the troffer, do not change the driver without permission .

## 5. Environment requirement

Operating temperature :  $-20\sim 45^{\circ}\text{C}$ ; Storage temperature :  $-40\sim 60^{\circ}\text{C}$  .

## 6. Package Carried Standard

UL-1598/UL8750/ ENERGY STAR

## 7. Package Instruction

### 7.1 Packing Specification

### 7.2 Package list

Package size	mm
Lamp Qty./box	Set/box
Net weight	
Gross weight	

Item	Qty.
Ceiling lamp	1
Instruction manual	1
screw	2
Wiring cap	3

## **FCC Statement**

This equipment has been tested and found to comply with the limits for a Class B digital device, pursuant to Part 15 of the FCC Rules. These limits are designed to provide reasonable protection against harmful interference in a residential installation. This equipment generates uses and can radiate radio frequency energy and, if not installed and used in accordance with the instructions, may cause harmful interference to radio communications. However, there is no guarantee that interference will not occur in a particular installation. If this equipment does cause harmful interference to radio or television reception, which can be determined by turning the equipment off and on, the user is encouraged to try to correct the interference by one or more of the following measures:

- Reorient or relocate the receiving antenna.
- Increase the separation between the equipment and receiver.
- Connect the equipment into an outlet on a circuit different from that to which the receiver is connected.
- Consult the dealer or an experienced radio/TV technician for help.

Changes or modifications not expressly approved by the party responsible for compliance could void the user's authority to operate the equipment.

## **IC STATEMENT**

This device complies with Industry Canada's licence-exempt RSSs. Operation is subject to the following two conditions:

- (1) This device may not cause interference; and
- (2) This device must accept any interference, including interference that may cause undesired operation of the device.

Le présent appareil est conforme aux CNR d'Industrie Canada applicables aux appareils radio exempts de licence. L'exploitation est autorisée aux deux conditions suivantes : (1) l'appareil ne doit pas produire de brouillage, et (2) l'utilisateur de l'appareil doit accepter tout brouillage radioélectrique subi, même si le brouillage est susceptible d'en compromettre le fonctionnement.

## **RF Exposure**

The device has been evaluated to meet general RF exposure requirement. The device can be used in fixed/mobile exposure condition without restriction. This device and its antenna(s) must not be co-located or operation in conjunction with any other antenna or transmitter.