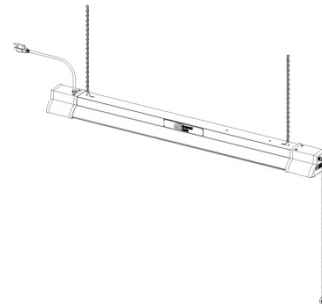


545691XX LED Shop light Installation Instructions

1. The product package includes the following components:

- 1.1 LED shop light (1 unit)
- 1.2 Installation Instructions
- 1.3 Hanging chain (2pcs)



2. IMPORTANT SAFETY INSTRUCTIONS AND WARNINGS:

- 2.1 Use hook to support chain, not the electrical cord.
- 2.2 Do not install on radiant-heating type ceiling
- 2.3 The hooks are to engage the chain only and not the electric cord shall be included.
- 2.6 Servicing should not be carried out while the luminaire and/or the surroundings are damp unless the plug is disconnected from the power supply
- 2.7 DO NOT SUBMERSE
- 2.8 This device complies with Part 15 of the FCC rules. Operation is subject to the following two conditions:
 - 1) this device may not cause harmful interference, and 2) this device must accept any interference received, including interference that may cause undesired operation.

3. DO NOT USE WITH DIMMERS.

Electrical Characteristics (Typical value):

Length 3ft (545691XX)

Voltage AC (V) 120

Current AC (mA) 600

Power (W) 50

PFC >0.9

Rated Frequency (Hz) 60

FCC Compliance Statement: This device complies with Part 15 of the FCC rules. Operation is subjected to the following two conditions: (1) this device may not cause harmful interference, and (2) this device must accept any interference received, including interference that may cause undesired operation.

Changes or modifications not expressly approved by the party responsible for compliance could void your authority to operate the equipment.

IC Compliance Statement: This device complies with Industry Canada's licence-exempt RSSs. Operation is subject to the following two conditions: (1) this device may not cause interference, and (2) this device must accept any interference, including interference that may cause undesired operation of the device.

Cet appareil est conforme aux CNR exemptes de licence d'Industrie Canada . Son fonctionnement est soumis aux deux conditions suivantes :

(1) Ce dispositif ne peut causer d'interférences ; et

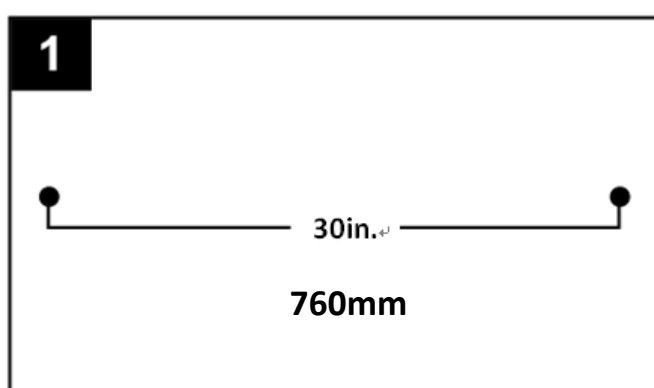
(2) Ce dispositif doit accepter toute interférence , y compris les interférences qui peuvent causer un mauvais fonctionnement de l'appareil.

4. Tools Required :

- a) At least two metal hooks, each with a No. 10-24 threaded hole that engages the bolt threads;
- b) Two toggle bolts, each consisting of a No. 10-24 bolt, 2-7/8 inches (73 mm) long with two tapered wings 1 by 5/16 inch (25.4 by 7.9 mm); and
- c) Two studs – combination wood screw-machine screw – measuring 1-3/4 inches (44.4 mm) overall and having 1-1/4 inches (31.8 mm) of wood screw threads on one end and at least six No. 10-24 machine screw threads on the other end.

5. Installation Steps :

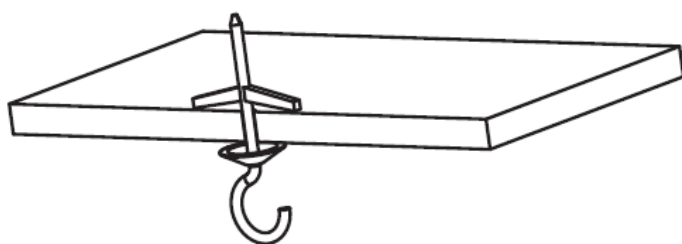
1. Select suitable location that can support the weight of the fixture .Determine method of mounting before drilling .Mark two spots on the ceiling 30 in. apart for the mounting hardware (not included) .



2.

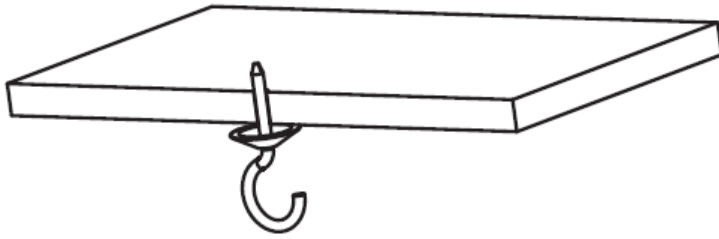
Mounting to drywall

- Drill a 1/4 in. hole in the ceiling to clear the closed flaps of the toggle bolt (not included). Make sure to fasten the toggle bolt into the butterfly nut before inserting the flaps into the ceiling. Tighten the toggle bolt.



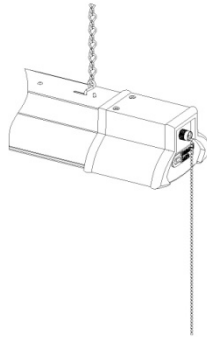
Mounting to wood

- Drill a 1/16 in. diameter pilot hole in the ceiling. Make sure to fasten the combo wood-machine end into the metal hook. Tighten the hook screw (not included) into the wood.



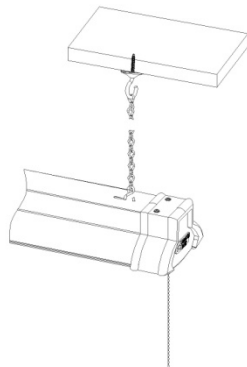
3. Attaching the light to the chain

Install one closed loop of hanging chain (B) to the metal “T” shaped hook (A) on the fixture body. Repeat this step on the other side of the fixture.



4. Attaching the chain to the ceiling

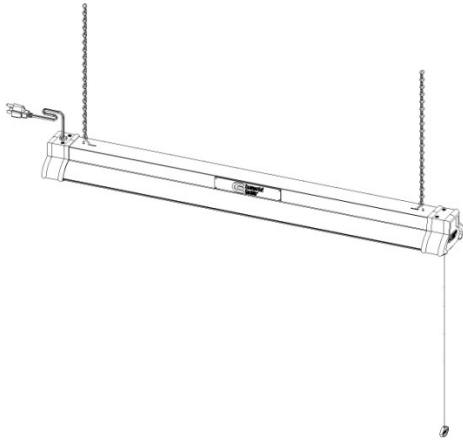
■ Hang the fixture body by placing one chain set (AA) over each hook (not included) that has been installed on the ceiling. Adjust chains to level light. The fixture must hang at least 3 in. from the ceiling.



5. Connecting the power cord

■ After installation, plug the power cord (B) into the end of light and then into the power supply.

■ Pull chain down to turn on.



Control with Bluetooth

1. Open the Bluetooth on your smart phone.
2. The phone will search for "CE 3ft BN shoplight", press "CE 3ft BN shoplight" to connect the phone to the light. After connected successfully, the light will sound "The light is connected".
3. Then open you music APP, choose the songs and start to plat.
4. To disconnect the shoplight, hit the "CE 3ft BN shoplight" again, after disconnected successfully, it will sound "The phone is disconnected".