

广东德豪润达电气股份有限公司

ELEC-TECH INTERNATIONAL CO., LTD.

产 品 说 明 书

Product Instruction Manual

产品名称: **LED吸顶灯**
Product Name: LED ceiling lamp
型号编码**Model No.: 54668162**

生产商: 广东德豪润达电气股份有限公司

Manufacturer: Elec-tech International.,Co.Ltd

地址: 广东省珠海市唐家湾镇金凤路1 号

Address: Guangdong Province Zhihai City, Tanjiawan, No.1 Jinfeng Rd

电话Tel: 0756-3390990

传真Fax: 0756-3390778

网址Web: www.electech.com.cn

目录Content

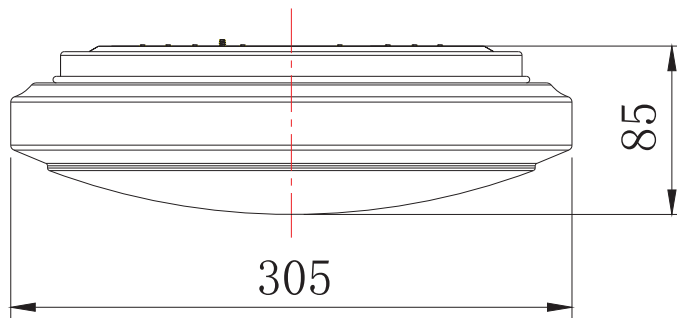
| | |
|-------------------------------------|-----|
| 1.产品简介ProductIntroduction----- | 2 |
| 1.1产品描述ProductDescription----- | 2 |
| 1.2产品示意图SchematicDiagram----- | 2 |
| 2.产品特性ProductFeature----- | 2 |
| 2.1产品特点Productcharacteristic----- | 2 |
| 2.2技术参数Specification----- | 3 |
| 2.3配光性能LightDistribution----- | 4 |
| 3. 安装方法Methodofapplication----- | 4-7 |
| 4.维护说明MaintenanceInstruction----- | 7 |
| 5.环境要求Environmentalrequirement----- | 8 |
| 6.产品执行标准Productcarriedstandard----- | 8 |
| 7.包装说明Packageinstruction----- | 8 |
| 7.1包装规格Packagespecification----- | 8 |
| 7.2包装清单Packagelist----- | 8 |

1.产品简介Product Introduction

1.1. 产品描述: Product Description

- 1 外形尺寸: 305x85mm; Dimension: 305x80mm
- 2 底盘:铁板+喷粉, 灯罩为PMMA光学扩散板;
Lamp plate:SPCC Powderspray, lamp cover:PMMA opticaldiffuser
- 3 内置隔离zigbee电源 +防火电源盒;
built-in zigbee drive&fire prevention drive box
- 4 亿光2835灯珠。
Everlight-LED-2835

1.2. 产品示意图: Product schematic diagram:



2.产品特性 Product Features:

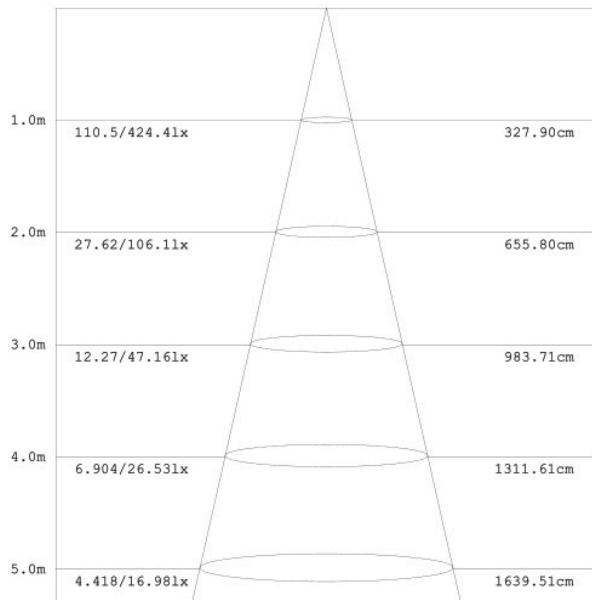
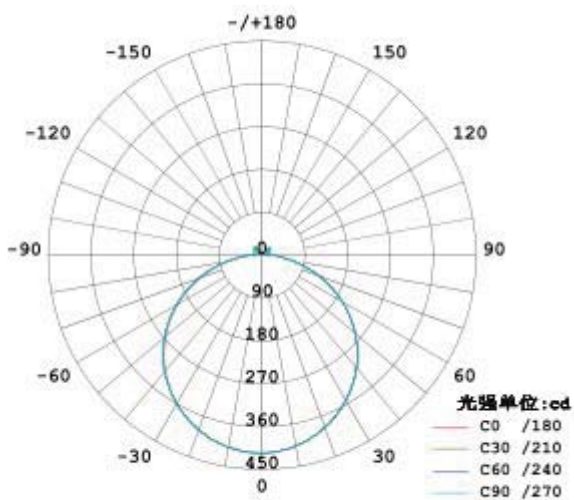
2.1. 产品特点Product characteristics :

- a:zigbeet调光调色, 可以通过zigbee控制, 切换不同色温和亮度。
- b. 长寿命 (5 万小时以上), 是荧光灯7 倍寿命; Long lifetime (above 50,000hrs), 7 times of lifetime of fluorescent lamp:
- c. 高效节能环保 (14W LED 吸顶灯灯可代替60W 白炽灯, 比白炽灯省电60%); High efficiency, energy saving, environmental friendly (A 14W led lamp can replace a 60 w electric incandescent lamp , saving 60% of energy)
- d. 耐冲击,抗震能力强,无紫外线和红外线辐射; 转换效率高能适应恶劣环境, 能满足写字楼,酒店,家居,商场, 学校, 图书馆等各种使用场合。
Impact resistant, shock resistant, no UV and IR radiation: high conversion rate and adaptable to severe environment , universal application to office ,hotel ,supermarket ,school and library ,etc
- e.绿色环保, 无有害气体排放, 使用热量低, 安全可靠。Green Initiative, no harmful gas is emitted, low heat is generated while used, safe and reliable .
- f.光色纯正,使用过程中无频闪,提供更好的视觉感受,保护人眼视力。Authentic and pure light color, no flicker, protecting your eyes while providing better visual enjoyment .

2.2 技术参数Specification

| 项目/单位Item/ | 参数Parameter |
|--|----------------------------------|
| 电气参数Electronicratings | |
| 额定整灯功率/WRatedPower/W | 14W |
| 额定输入电压/VRatedInputvoltage/V | AC120V |
| 额定工作频率/HzFrequency/Hz | 60Hz |
| 额定电源效率/%RatedPowerefficiency | 82% |
| 额定功率因数（PF）RatedPowerFactor | 0.9 |
| 额定输入电流/ARatedInputcurrent/A | 0.12A |
| 额定总谐波失真RatedI-THD | <20% |
| 是否调光 | 是，zigbee调光调色 |
| 额定R9RatedR9 | >15 |
| 光源参数Photometricratings | |
| LED类型/数量LEDtype/Qty. | Everlight-5630D /64PCS |
| 整灯光通量/LmRatedLumenOutput | 2700K = 1000lm 5000K > 1000lm |
| 色温/KCCT | 2700K-5000K |
| 显色指数/RaCRI | ≥80 |
| 光束角BeamAngle | ≥110 |
| 物理参数Physicalinformation | |
| 材质Material | SPCC+PMMA |
| 工作温度operatingtemperature | -20~40℃ |
| 储存温度storagetemperature | -40~60℃ |
| 防护等级IPrating | IP20 |
| 灯具规格(L×W×H)/mmLuminaireredimension(L×W×H)/mm | 305x85 |
| 净重/gNetweight | 465g |
| 设计寿命/hrsLifetime/hrs | 50000h |

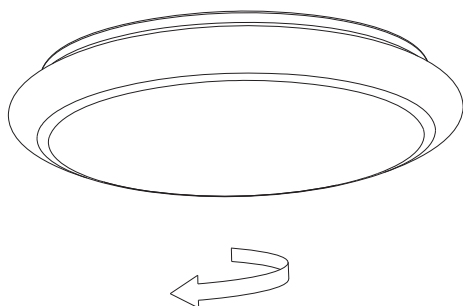
2.3 配光曲线 Light distribution （配光曲线图Light distribution pattern）（照度分布图 Illuminance distribution ）



3 安装方法 Installation Instructions

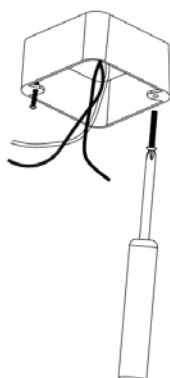
1. 逆时针旋转将灯罩取下。

Put the Fixture flat on the desktop, turn the lamp shade counterclockwise , and then take out the lamp shade 。

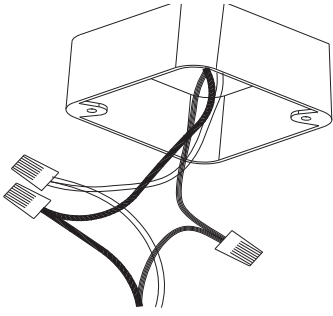


2. 将#8-32 螺钉固定在天顶上的接线盒上。

Install the electrical box screws (#8-32UNC) in the junction box.

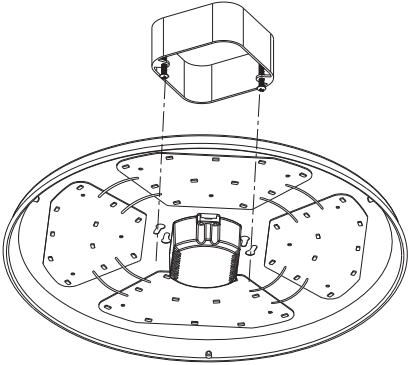


3. 将灯上的黑线与接线盒中 L 线相连，白线与 N 线相连，绿色线与地线相连，然后用旋帽将三条线拧紧。
Connect the **black** color L line(Mark 1) to the L line come out from junction box with the wirecap. Connect the **white** color N line(Mark 2) to the N line come out from junction box with the wirecap. Connect green color ground line(Mark 3) to the ground line come out from junction box with the wirecap.



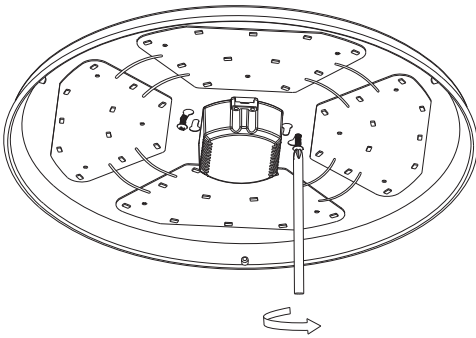
4. 将灯具上中间安装孔对准接线盒上的螺钉套上。

Put the central holes of the fixture plate across the screw of the junction box.



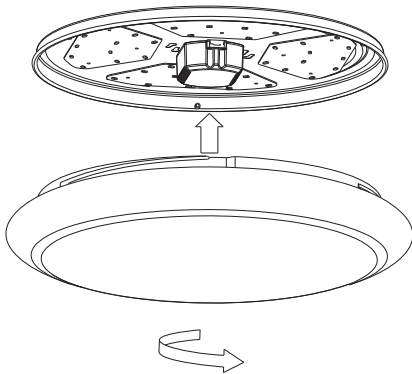
5. 按箭头方向旋紧灯具，再将螺钉锁紧。

Rotate fixture plate per the direction of arrow and lock it tightly with the screw lock



6. 接通电源开关，点亮灯具，然后顺时针旋转安装灯罩。

confirm the fixture installed firmly, switch on the power , make sure the lamp lights, and then turn clockwise and mount with shade



7. 使用 Wink 来控制 12 寸吸顶灯。Control the Light with the Wink app

1. 手机下载 Wink App，并创建一个账号。Downloading the Wink App

From your smart device's App Store, download the Wink app to your smart device, then create a Wink account.



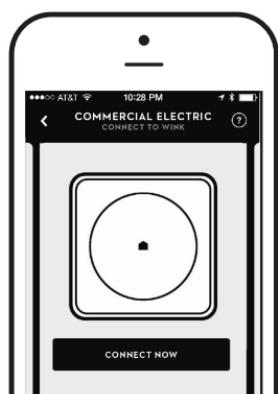
2.连接到 Wink HUB。Connecting to the Wink HUB

打开 App，选择添加产品，再选中 Wink HUB 网关，按照手机上的提示依次完成。

Open the app and select add a product. Then choose the Wink HUB and follow the instructions in the app.

注意：将网关连接在靠近产品附近的地方。

NOTICE: Be sure your Wink HUB is plugged in and within range of your LED Downlight.



2. 点亮吸顶灯，连接网络成功后，灯会闪烁 3 次。

Connecting to the network

Turn on your LED Downlight. The light will blink three times if pairing is successful.

注意：如果想要使用调光器调光，可以将调光器调到最大范围使得光效达到最好效果。

如果连接超时，请重新设置。先关闭吸顶灯，停留 3 秒，再点亮，维持 3 秒。重复以上动作 5 次。灯会闪烁 3 次，表明可以成功连接至 App 了。

NOTICE: If using a dimmer with these lights, for best results set your dimmer at the highest setting.

NOTICE: Reset your light if the pairing is taking longer than expected. Turn off your light for 3 seconds, then turn it back on for 3 seconds. Repeat these steps five times. The light will blink and then is ready for connecting to the Wink HUB.



4. 现在，你可以使用 Wink App 来智能控制此款吸顶灯。

Ready

Now that the hub's connected you are ready to control your downlight.



4. 维护说明Maintenance instruction

4.1 为延长使用寿命请勿使用酒精等挥发性溶剂擦拭灯体；

Do Not use volatile solvent such as alcohol to clean the troffer.

4.2 清洁时可以使用柔棉布沾肥皂水拧干后擦拭灯体；

Use soft cotton cloth with suds to clean the troffer .

4.3 非专业人士请勿拆修灯具；

Non-professional Do not attempt to take apart and repair the troffer .

4.4 该灯具电源为专用适配的恒流电源，请勿私自更换电源。

Please use the constant-current driver exclusively adaptive to the troffer, do not change the driver without permission .

5. 环境要求Environment requirement

使用环境温度Operating temperature : -20~40℃；存贮环境温度Storage temperature : -40~60℃。

6. 产品执行标准Product carried standard

UL-1598/UL8750/ ENERGY STAR

7. 包装说明Package Instruction

7.1 包装规格Packing Specification

7.2 包装清单：Package list

| | | |
|------------|---------------|--|
| 包装盒尺寸 | Package size | |
| 灯具数量/ 箱 | Lamp Qty./box | |
| 净重 | Net weight | |
| 毛重 | Gross weight | |

| 物品名称 | Item | 数量Qty. |
|------|--------------------|--------|
| 吸顶灯 | Ceiling lamp | 1 |
| 说明书 | Instruction manual | 1 |
| 螺钉 | screw | 2 |
| 接线帽 | Wiring cap | 3 |

FCC Statement

This equipment has been tested and found to comply with the limits for a Class B digital device, pursuant to Part 15 of the FCC Rules. These limits are designed to provide reasonable protection against harmful interference in a residential installation. This equipment generates uses and can radiate radio frequency energy and, if not installed and used in accordance with the instructions, may cause harmful interference to radio communications. However, there is no guarantee that interference will not occur in a particular installation. If this equipment does cause harmful interference to radio or television reception, which can be determined by turning the equipment off and on, the user is encouraged to try to correct the interference by one or more of the following measures:

- Reorient or relocate the receiving antenna.
- Increase the separation between the equipment and receiver.
- Connect the equipment into an outlet on a circuit different from that to which the receiver is connected.
- Consult the dealer or an experienced radio/TV technician for help.

This device complies with part 15 of the FCC Rules. Operation is subject to the following two conditions: (1) This device may not cause harmful interference, and (2) this device must accept any interference received, including interference that may cause undesired operation.

Changes or modifications not expressly approved by the party responsible for compliance could void the user's authority to operate the equipment.

The distance between user and products should be no less than 20cm

IC STATEMENT

This device complies with Industry Canada's licence-exempt RSSs. Operation is subject to the following two conditions:

- (1) This device may not cause interference; and
- (2) This device must accept any interference, including interference that may cause undesired operation of the device.

Cet appareil est conforme aux CNR exemptes de licence d'Industrie Canada . Son fonctionnement est soumis aux deux conditions suivantes :

- (1) Ce dispositif ne peut causer d'interférences ; et
- (2) Ce dispositif doit accepter toute interférence , y compris les interférences qui peuvent causer un mauvais fonctionnement de l'appareil.

The distance between user and products should be no less than 20cm

La distance entre l'utilisateur et de produits ne devrait pas être inférieure à 20cm