

广东德豪润达电气股份有限公司

ELEC-TECH INTERNATIONAL CO., LTD.

产 品 说 明 书

Product Instruction Manual

产品名称: **LED WRAP LIGHT (1.2米吸顶灯)**

Product Name: LED WRAP LIGHT

型号编码**Model No.: 546761xx (XX=00~99)**

生产商: 广东德豪润达电气股份有限公司

Manufacturer: Elec-tech International.,Co.Ltd

地址: 广东省珠海市唐家湾镇金凤路1 号

Address: Guangdong Province Zhihai City, Tanjiawan, No.1 Jinfeng Rd

电话Tel: 0756-3390990

传真Fax: 0756-3390778

网址Web: www.electech.com.cn

广东德豪润达电气股份有限公司

ELEC-TECH INTERNATIONAL CO., LTD.

目录Content

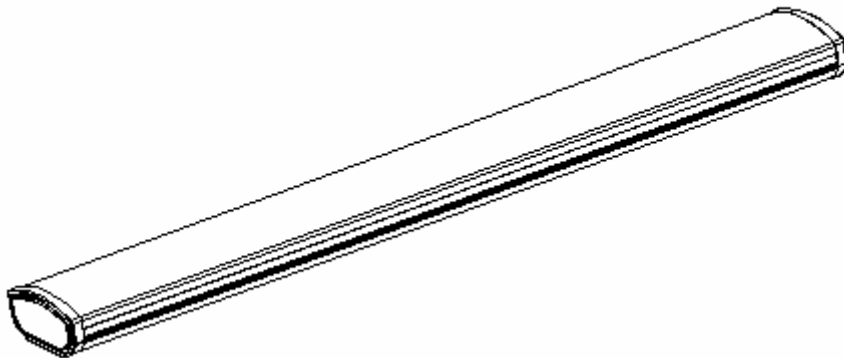
1	产品简介ProductIntroduction-----	3
1.1	产品描述ProductDescription-----	3
1.2	产品示意图SchematicDiagram-----	3
2	产品特性ProductFeature-----	3
2.1	产品特点Productcharacteristic -----	3
2.2	技术参数Specification-----	4
2.3	配光性能LightDistribution-----	4
3	使用方法Methodofapplication-----	6
3.1	安装说明Installationinstruction -----	6
3.2	安装示意图Installationschematicdiagram-----	6
3.3	使用方法Sensor In stallationn Instructiion-----	9
3.4	功能与选项Function and option-----	9
3.5	维护说明MaintenanceInstruction-----	12
4	环境要求Environmentalrequirement-----	12
5	产品执行标准Productcarriedstandard-----	12
6	包装说明Packageinstruction-----	12
6.1	包装规格Packagespecification-----	12
6.2	包装清单Packagelist-----	12

广东德豪润达电气股份有限公司 ELEC-TECH INTERNATIONAL CO., LTD.

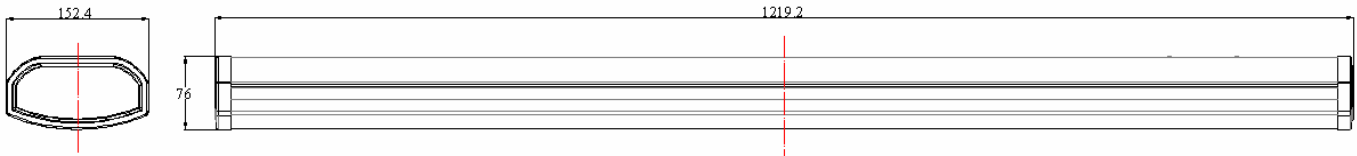
1. 产品简介 Product Introduction

1.1. 产品描述: Product Description

- | | |
|------------------------|--|
| 1.外形尺寸: 1219x152x76mm; | 1.Dimension: 1219x152x76mm |
| 2.外壳为铁板+喷粉, PMMA光学扩散; | 2.Housing:Powdersprayediron,PMMA opticaldiffuser |
| 3.内置隔离电源; | 3.Inside power supply |
| 4.亿光高效LED灯珠。 | 4. Everlight highefficacyLED |
| 5. 内置微波感应器 . | 5. Built in microwave sensor |



1.2. 产品示意图: Product schematic diagram:



2. 产品特性 Product Features:

2.1. 产品特点 Product characteristics :

- 长寿命 (5 万小时以上), 是荧光灯6 倍寿命; 可替换性高;
Long lifetime (above 35,000hrs), 6 times of lifetime of fluorescent lamp: high replaceability .
- 高效节能环保; High efficiency, energy saving, environmental friendly
- 抗震能力强,无紫外线和红外线辐射; 转换效率高能适应恶劣环境, 能满足写字楼,酒店,家居, 商场, 学校, 图书馆等各种使用场合。

Impact resistant, shock resistant, no UV and IR radiation: high conversion rate and adaptable to severe environment , universal application to office ,hotel ,supermarket ,school and library ,etc

- 绿色环保, 无有害气体排放, 使用热量低, 安全可靠。

Green Initiative, no harmful gas is emitted, low heat is generated while used, safe and reliable .

- 光色纯正, 使用过程中无频闪, 提供更好的视觉感受, 保护人眼视力。

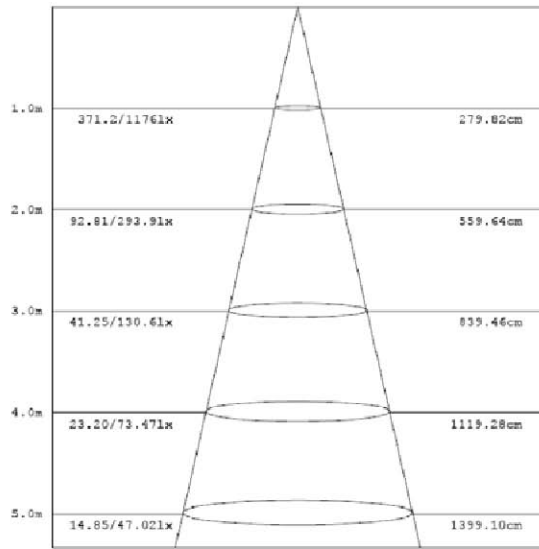
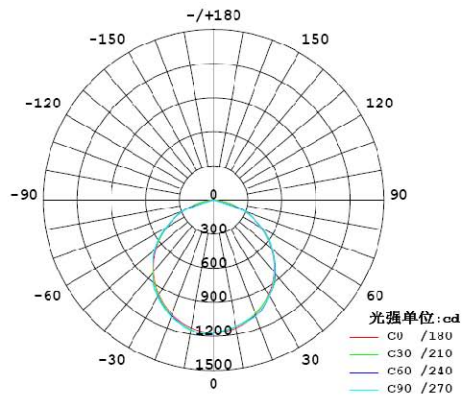
Authentic and pure light color, no flicker, protecting your eyes while providing better visual enjoyment .

广东德豪润达电气股份有限公司
ELEC-TECH INTERNATIONAL CO., LTD.

2.2 技术参数Specification

项目/单位Item/ unit	参数Parameter
电气参数Electronicratings	
额定整灯功率/W RatedPower/W	39.5W
额定输入电压/V RatedInputvoltage/V	AC120V
额定工作频率/Hz Frequency/Hz	60Hz
额定电源效率/% RatedPowerefficiency	≥88%
额定功率因数 (PF) RatedPowerFactor	0.95
额定输入电流/A RatedInputcurrent/A	0.9
额定总谐波失真 RatedI-THD	<20%
额定 Rated	>15
内置Sensor/输入电压/频率/型号 Built-in Sensor/input voltage/ frequency /Model	120V/60Hz/UM01
光源参数Photometricratings	
LED类型/数量 LEDtype/Qty.	Everlight SMD2835/154pcs
整灯光通量/Lm RatedLumenOutput	3600 lm
表面照度(1.5米中心距)/Lux Illuminance(1.5m)/Lux	560lx
色温/K CCT	4000K for models 54676141
显色指数/RaCRI	≥90
光束角 BeamAngle	120 °
物理参数Physicalinformation	
材质 Material	PMMA+iron
工作温度 operatingtemperature	-20~45℃
储存温度 storagetemperature	-40~60℃
防护等级 IPrating	IP20
灯具规格 (L×W×H)/mm Luminaire dimension(L×W×H)/mm	1219x152x76
净重/g Netweight	2.5Kg
设计寿命/hrs Lifetime/hrs	35000h

2.3. 配光曲线 Light distribution (配光曲线图 Light distribution pattern) (照度分布图 Illuminance distribution)



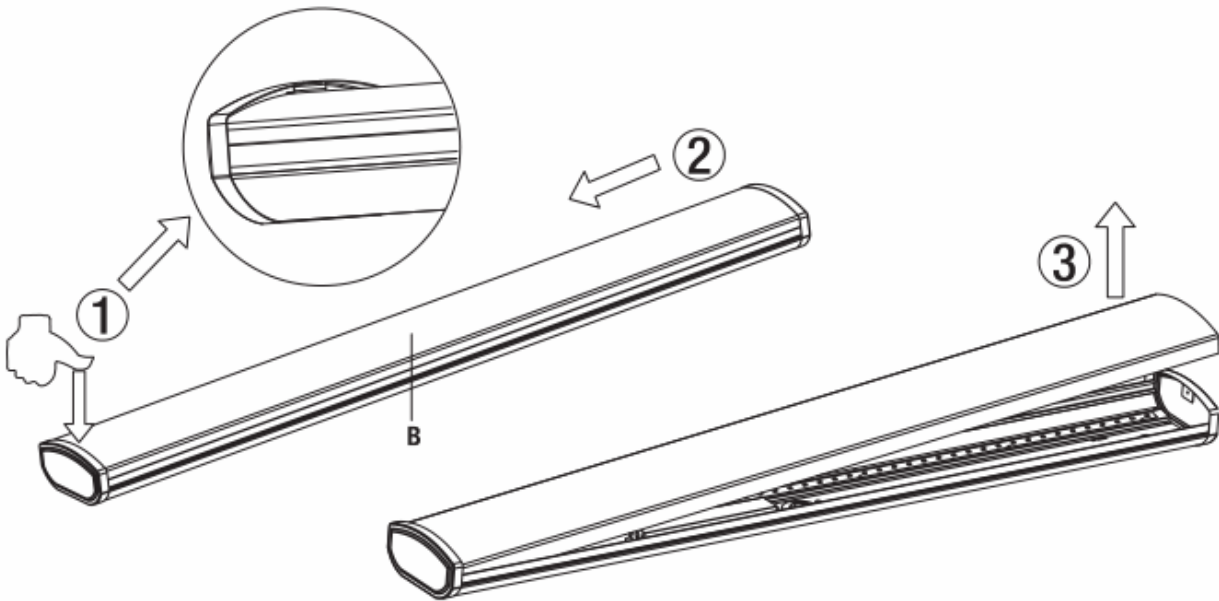
3. 使用方法: In stallationn Instructiion

3.1 安装方方式Installation method: 吸顶式安装 Ceiling installation :

3.2 安装示意图示: Installatioon schematicc diagram :

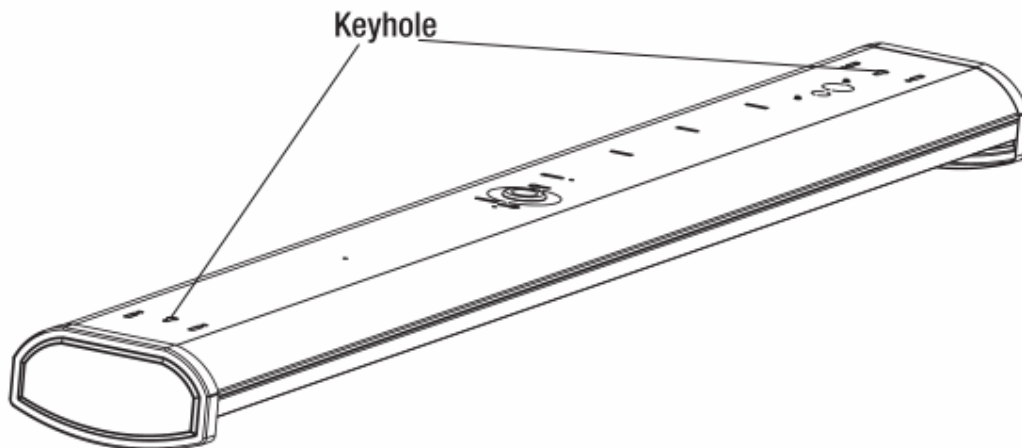
1 Separating the diffuser from the housing

- (1) Press down gently on one end of the diffuser (B) to the bottom of the limit part on the end cap.
- (2) Push the diffuser (B) toward the end being pressed.
- (3) Lift up the diffuser (B) from the other end.



2 Marking the location to mount on a flat surface

- After removing the diffuser (B), with help from another person, temporarily hold the fixture up to the ceiling and mark two keyhole locations.



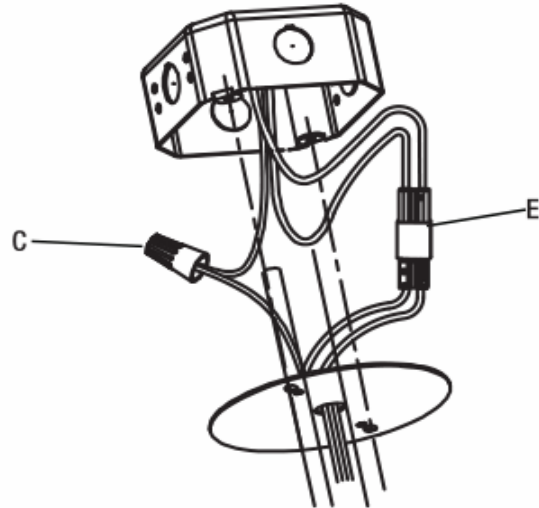
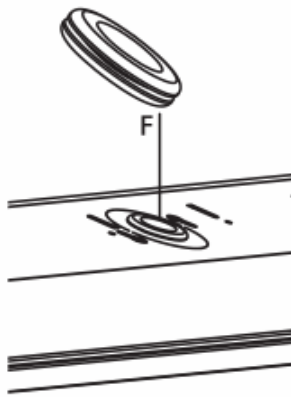
Surface Mounting (continued)

3 Connecting the wires



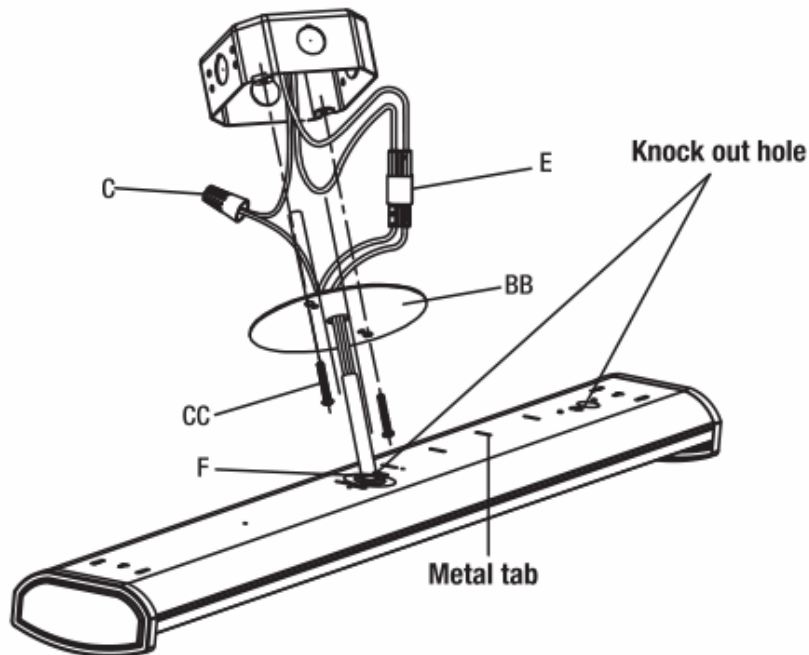
NOTE: Put the gasket (F) on any knock out hole of the fixture to better protect the wires.

- Electrical connection wires can be fed through any knock out hole and then through the mounting bracket. The connection wires can be held in place by metal tabs.
- Connect the black and the white wires of the fixture with two wires of the same colors from the junction box. Secure together using connector (E).
- Connect the grounding wire of the fixture with the one from the junction box. Secure together using a wire nut (C).



4 Attaching the mounting bracket to the junction box

- Mount the mounting bracket (BB) to the outlet box using the two machine screws (CC) on the mounting outlet box.

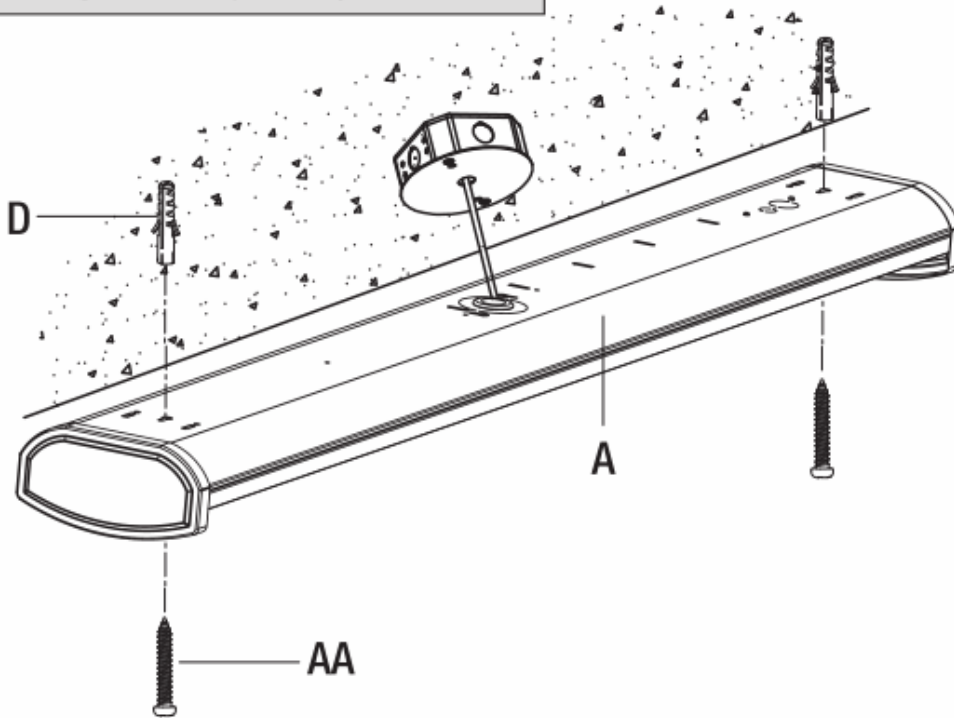


5 Attaching the housing to the ceiling

- Drill a 1/4 in. pilot hole into the marked screw locations. You can also use an awl or nail to dimple the screw holes.
- Start the screws (AA) but do not tighten fully. Slide the fixture (A) over until the narrow legs of the keyhole slots are under the heads of the screws (AA).
- Finish tightening the screws (AA) until they are firmly seated and the fixture (A) is tightly secured to the mounting surface.

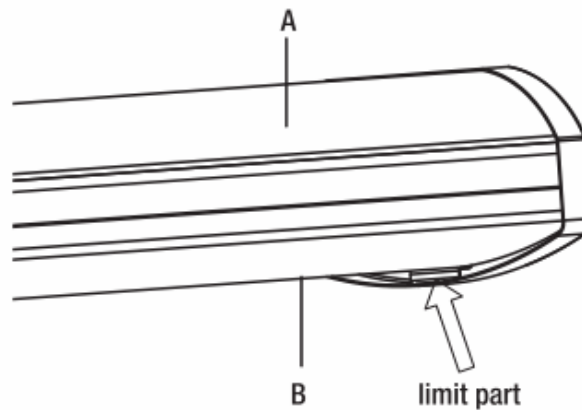


NOTE: The drywall anchors (D) are only to be used for mounting the fixture onto plaster or drywall surfaces.



6 Mounting to the housing plate

- Insert one end of the diffuser to the bottom of the limit part and push the diffuser to the end.
- Position the diffuser (B) over the housing (A). Push the other end of the diffuser to the top of the limit part on the end cap.
- Restore power to the electrical box. Turn the light switch on to activate the fixture.

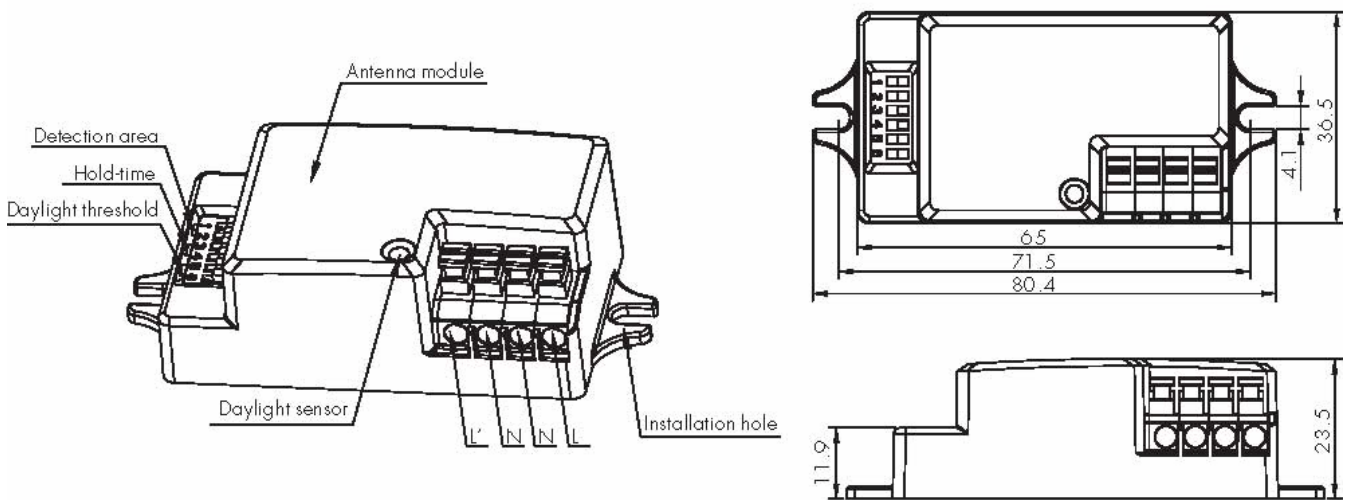


3.3. Sensor Installation Instruction usage method:

A. 产品示意图: Product schematic diagram:



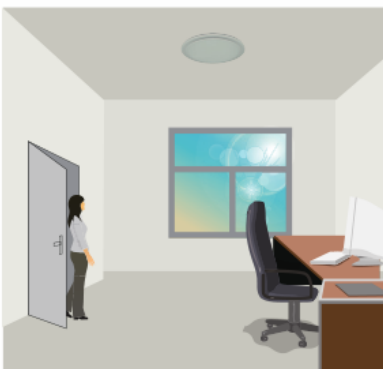
B. 外形尺寸: Dimension:



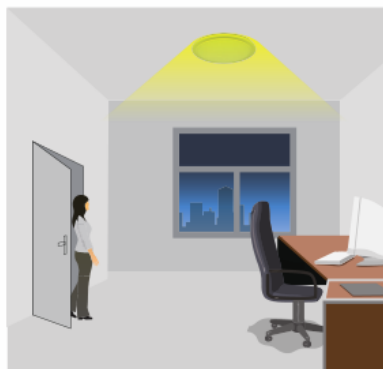
3.4. Function and option

1. On-off Function

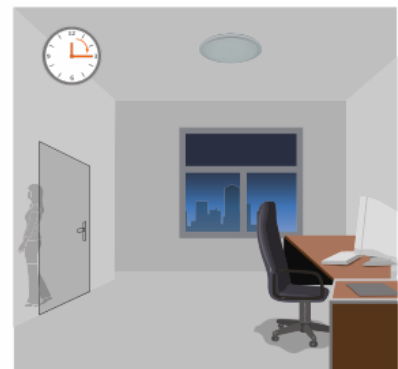
This sensor is a motion switch, turns on the light on detection of moving objects, and turns off after a pre-selected hold-time when there is no motion detected. A daylight sensor is also built-in to switch off the light when there is sufficient natural light.



With sufficient natural light, the light does not switch on when presence detected

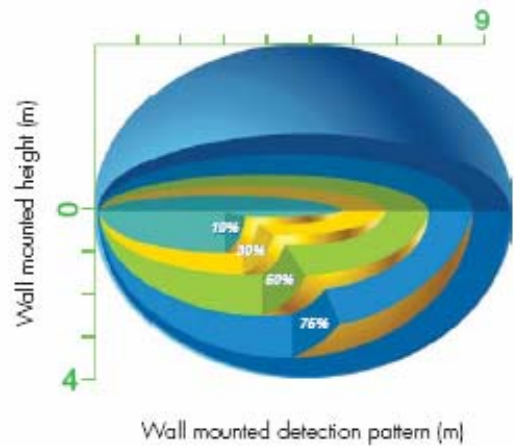
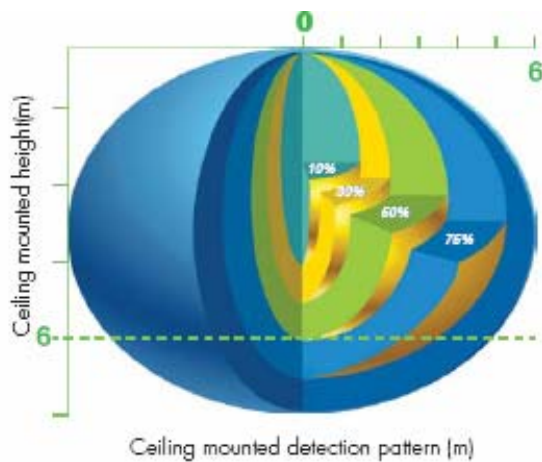


With insufficient natural light, the sensor switches on the light automatically when person enters the room



After the hold time, then switches off automatically when no movement is detected.

2. Detection Pattern



3. Settings

1 Detection area

Detection area can be reduced by selecting the combination on the DIP switches to fit precisely for each specific application.

	1	2	
I	●	●	100%
II	●	○	75%
III	○	●	50%
IV	○	○	10%

- I - 100%
- II - 75%
- III - 50%
- IV - 10%

2 Hold-time

Hold-time means the time period you would like to keep the lamp on 100% after the person has left the detected area.

	3	4	
I	●	●	5s
II	●	○	90s
III	○	●	5min
IV	○	○	15min

- I - 5s
- II - 90s
- III - 5min
- IV - 15min

3 Daylight sensor

The daylight threshold can be set on DIP switches, to fit for particular application.

	5	6	
I	●	●	Disable
II	●	○	50Lux
III	○	●	10Lux
IV	○	○	2Lux

- I - Disable
- II - 50Lux
- III - 10Lux
- IV - 2Lux

4. Technical Data

Item/unit	Parameter
Operating voltage	120V /60Hz (UM01) ;
Switched power	UM01: 200W (capacitive)
Standby power	<0.5w
Warming-up time	20s
Detection area	10%/50%/75%/100%, can be customized
Hold time	5S/90S/5min/15min, can be customized
Daylight threshold	2~50lux disable
Microwave power	<0.2mw
Detection range	Max. (oxH): 10m x 6m
Detection angle	30° ~150°
Mounting height	Max. 6m
Operating temperature	-20° C~70° C
IP rating	IP20
Certificate	ETL FCC

广东德豪润达电气股份有限公司

ELEC-TECH INTERNATIONAL CO., LTD.

- 3.5 维护说明Maintenance instruction** 为延长使用寿命请勿使用酒精等挥发性溶剂擦拭灯体；
Do Not use volatile solvent such as alcohol to clean the troffer. 清洁时可以使用柔棉布沾肥皂水拧干后擦拭灯体；
Use soft cotton cloth with suds to clean the troffer. 非专业人士请勿拆修灯具；
Non-professional Do not attempt to take apart and repair the troffer. 该灯具电源为专用适配的恒流电源，请勿私自更换电源。
Please use the constant-current driver exclusively adaptive to the troffer, do not change the driver without permission .

Attentions:

FCC Compliance Statement: This device complies with Part 15 of the FCC rules. Operation is subjected to the following two conditions: (1) this device may not cause harmful interference, and (2) this device must accept any interference received, including interference that may cause undesired operation.

Changes or modifications not expressly approved by the party responsible for compliance could void your authority to operate the equipment.

IC Compliance Statement: This device complies with Industry Canada's licence-exempt RSSs. Operation is subject to the following two conditions: (1) this device may not cause interference, and (2) this device must accept any interference, including interference that may cause undesired operation of the device.

Cet appareil est conforme aux CNR exemptes de licence d'Industrie Canada . Son fonctionnement est soumis aux deux conditions suivantes :

(1) Ce dispositif ne peut causer d'interférences ; et

(2) Ce dispositif doit accepter toute interférence , y compris les interférences qui peuvent causer un mauvais fonctionnement de l'appareil.

4. 环境要求Environment requirement

使用环境温度Operating temperature : -20~45℃；

存贮环境温度Storage temperature : -40~60℃。

5. 产品执行标准Product carried

standard UL-1598

6.包装说明Package Instruction

6.1. 包装规格Packing Specification

6.2. 包装清单: Package list

包装盒尺寸	Package size	1272*157*360mm
灯具数量/ 箱	Lamp Qty./box	1 套/箱1 set/box
净重	Net weight	2.5Kg
毛重	Gross weight	4Kg

物品称	Item	数量Qty.
吸顶灯	Ceiling lamp	1
说明书	Instruction manual	1