

REG05 – International – USA, EU, AUS

FRONTCOVER



MINI MOVER 20

KIDS PARTY SPEAKER

User Manual

INNER LEAF

Please read this manual carefully before use.



WARNING

- Please do not get the product wet. If your product is IP rated, please follow guidelines on how to safely use your product overleaf.
- Please don't take the product apart. There are no user serviceable parts inside
- Please don't modify or alter the product or accessories
- Please don't expose the product to extreme temperatures or rapid changes of hot to cold or vice versa
- Please don't use damaged cables or plugs, or loose electrical sockets
- Please don't touch the device, cables, plugs, or the electrical socket with wet hands or other wet body parts
- Please don't pull the cable excessively when disconnecting it if the cable is not fixed
- Please don't bend or damage the cable
- Please don't drop or cause an impact to the product or the device
- Please don't place naked flame sources, such as lighted candles, on the product
- Please don't allow children under the 3 years of age to use this product.
- Please ensure that the silicone cap is closed tightly to ensure children do not have access to the input terminals.

Battery Information

- Batteries may malfunction if they are not used for extended periods
- Over time, unused devices will discharge and must be recharged before use
- Disconnect the charger from power sources when not in use
- Use the batteries only for their intended purposes

- Follow all instructions in this manual to ensure the longest lifespan of your device and battery. Damages or poor performance caused by failure to follow warnings and instructions can void your manufacturer's warranty
- Batteries (battery pack or batteries installed) shall not be exposed to excessive heat such as sunshine, fire or the like

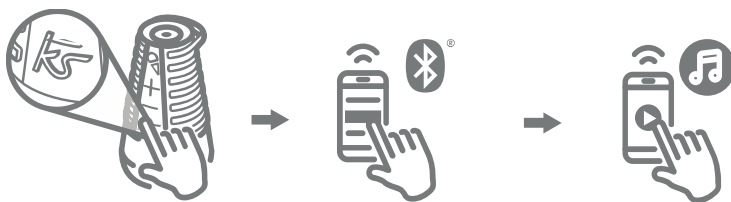
IP67

The Mini Mover 20 Kids Party Speaker is rated IP67. The 6 means that the Mini Mover 20 is protected against dust and contact. No ingress of dust permitted. The 7 means it's protected from ingress of water when the enclosure is immersed in 1m of water for up to 30 minutes.

- To ensure that the Mini Mover 20 is water resistant, please remove all cable connections and tightly close the AUX/DC IN/Micro SD Card cap. Exposing the Mini Mover 20 to liquids without doing so may result in permanent damage to the speaker.
- Do not expose the Mini Mover 20 to water while charging. This is very dangerous as doing so may result in personal injury and permanent damage to the speaker or power source.
- We do not recommend leaving the Mini Mover 20 outside at night in wet conditions or when it's raining. Store in a dry place while not in use, this will prolong the speaker's life.
- Please ensure the silicone cap is closed tightly to protect against ingress of water and/or dust.

Quick Start Guide

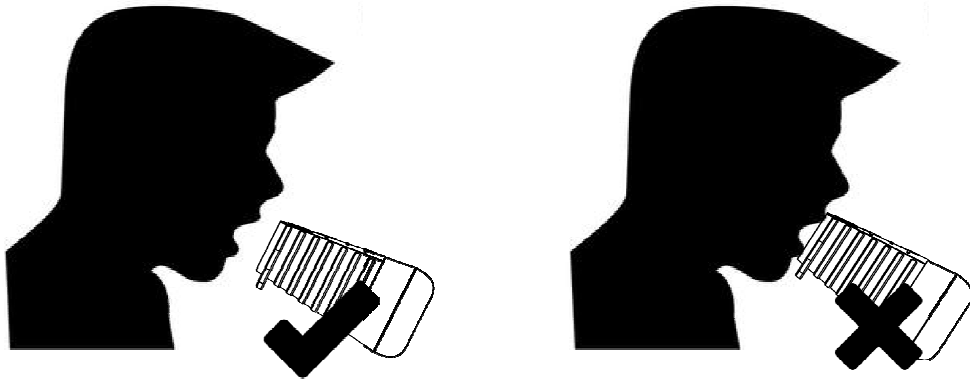
1. **Power On** by pressing the KS button for 2 seconds
2. Turn on your device's Bluetooth and **connect to 'KS Mini Mover 20'**



Now you're listening

Further information on connecting to the speaker, and instructions on how to use all of the product features, can be found in the following pages of this manual.

[Illustration for microphone use here – replace below]



Using your Mini Mover 20 as a microphone!

The Mini Mover 20 performs just like a real microphone so you can sing along to all your favourite songs and sing like the stars! To get the best out of your Mini Mover 20 as a mic and to reduce any feedback or muffling that might spoil the sound of your voice, we recommend the following:

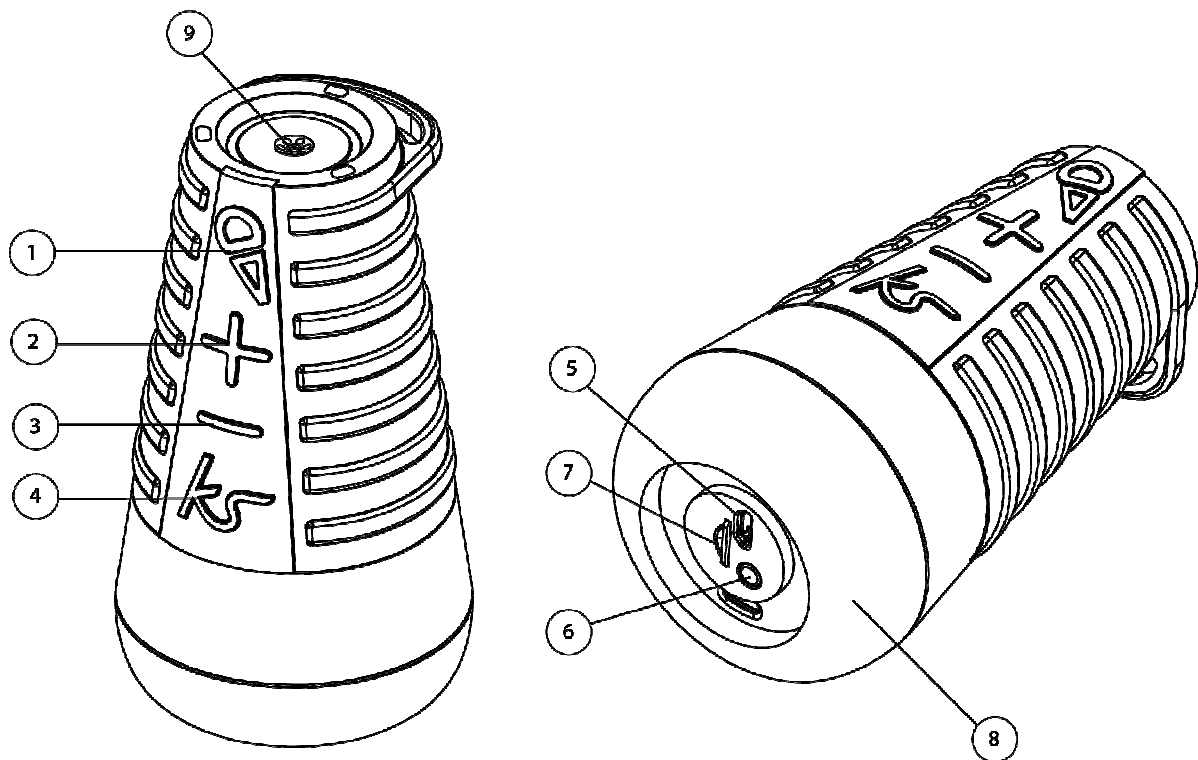
1. Avoid holding the microphone too close to your mouth
2. Do not cover the microphone end of your Mini Mover 20

Box contents

- KS Mini Mover 20 Kids Party Speaker
- USB charge cable
- User manual

Functions

1. Microphone / Light Mode Button
2. Volume+ / Next Track Button
3. Volume- / Previous Track Button
4. Multi-function Button
5. Micro USB Port
6. Switch Audio Mode Button
7. Micro SD Card Port
8. LED Display
9. Microphone



Instructions for use

Getting started

Charging the battery:

Give the speaker a full charge before its first use:

1. Connect the supplied USB charging cable into the Micro USB Charging Port (5) and plug into power
2. The LED Display (8) will intermittently glow white whilst charging which will take up to 2 hours
3. Once fully charged the LED Display (8) will then turn solid white

Note: Allow up to 3 hours for the first charge.

Note: With a concern for safety we do not advise that children play with the Mini Mover whilst it is charging. The music and lighting will be disabled whilst the Mini Mover is charging to encourage this. This also reduces product charge time.

LED lights indication

Pairing mode	LED Display (8) will flash white 2 times every second.
Paired in Bluetooth® mode and playing audio	Mini Mover 20 light modes will be active. Toggle between light modes by holding down Microphone Button for 2 seconds.
Paired in Bluetooth® but not playing audio	Mini Mover 20 light modes will be active. Toggle between light modes by holding down the Microphone Button for 2 seconds.
Micro SD Card Mode	Mini Mover 20 light modes will be active. Toggle between light modes by holding down the Microphone Button for 2 seconds.
Stereo pairing (scanning)	LED Display (8) will flash pink twice every second.
Stereo paired speaker	LED Display (8) will resume light modes.
Battery below 10%	LED Display (8) will be solid red.
Charging battery	LED Display (8) will glow in and out white.
Charging complete (around 95%)	LED Display (8) will turn off once charge is complete.

Pairing the KS Mini Mover 20 to your device

1. Press the Multi-function Button (4) to turn the speaker on and it will automatically enter pairing mode and the LED Display (8) will flash white
2. Turn your iOS, Android, or Windows device's Bluetooth ON and search for new devices
3. Select 'KS Mini Mover 20'. If asked for a passcode, enter '0000', and the device will pair
4. Once connected the LED Display (8) will no longer flash white

Re-pairing or pairing new devices

1. Turn Bluetooth connectivity off on any previously-paired devices

Or

2. Press the Switch Button (6) for 2 seconds to re-enter pairing mode
3. Follow the 'Pairing the KS Mini Mover 20 to your device' instructions

Note: If a previously-paired device is not present within the Bluetooth connectivity range then the speaker will automatically re-enter pairing mode.

Stereo pairing two KS Mini Mover 20 speakers

Note: Please ensure that any previously-paired phone or device has Bluetooth turned off or is disconnected from any previously-paired Mini Mover 20 before attempting to stereo pair two Mini Mover 20 speakers together.

1. Press Multi-function Button (4) to turn on both of the Mini Mover 20 speakers that you wish to stereo pair together. Both speakers will automatically enter pairing mode. The LED Display (8) will indicate this by flashing white
2. Double press the Multi-function Button (4) on either of the speakers and it will enter stereo pairing. The LED Display (8) will flash pink
3. Once connected in stereo pairing the LED Display on the second speaker will commence party lighting
4. Follow the 'Pairing the KS Mini Mover 20 to your device' instructions to pair your device to the first Mini Mover 20

Playing music on your speaker

Bluetooth

When connected via Bluetooth, play music on your device and the sound will play through the speaker. Some devices may require you to select the audio output.

Micro SD Card

1. Your Micro SD card can have a capacity of up to 64GB
2. Insert your Micro SD card into a PC or laptop and save MP3 or WAV music files to the Micro SD card
3. Insert the Micro SD card into the speaker's Micro SD Card Port (7)
4. Once the card is inserted, use the Switch Audio Input Button (6) to switch between Bluetooth mode and Micro SD card mode
5. Now that you have your Micro SD card preloaded with music and inserted into the Mini Mover 20. You can listen to music and enjoy all of the Mini Mover 20's features

Once connected to the Mini Mover 20 by Bluetooth or using an inserted Micro SD card, please follow the instructions on the next page:

Function	Bluetooth mode	Micro SD Card mode
Volume+	Short Press Volume+ Button (2) or use your device	Short Press Volume+ Button (2) or use your device
Volume–	Short Press Volume– Button (3) or use your device	Short Press Volume– Button (3) or use your device
Next Track	Hold Volume+ Button (2) for 3 seconds	Hold Volume+ Button (2) for 3 seconds
Previous Track	Hold Volume– Button (3) for 3 seconds	Hold Volume– Button (3) for 3 seconds
Play/Pause Track	Short press Multi-function Button (4) whilst music is playing	Short press Multi-function Button (4) whilst music is playing
Pair with device	Hold Switch button (6) for 2 seconds until tone is heard	Hold Switch button (6) for 2 seconds until tone is heard
Create a stereo pair	Follow 'Turn On' instructions for both speakers. Double press Multi-function Button (4) on one speaker	Follow 'Turn On' instructions for both speakers. Double press Multi-function Button (4) on one speaker
Microphone Feature On/Off	Short press Microphone Button (1)	Short press Microphone Button (1)
Toggle between light modes	Hold press Microphone Button (1) for 2 seconds	Hold press Microphone Button (1) for 2 seconds
Switch audio input mode	Short press Switch Button (6)	Short press Switch Button (6)
Turn On	Hold Multi-function Button (4) for 2 seconds from OFF	Hold Multi-function Button (4) for 2 seconds from OFF
Turn Off	Hold Multi-function Button (4) for 2 seconds	Hold Multi-function Button (4) for 2 seconds
Factory Reset	Hold Switch Button (6) for 10 seconds	Hold Switch Button (6) for 10 seconds

Please note

Your device will have an internal amplifier and if it is playing digital files like MP3s it will also have an integrated DAC (Digital Audio Converter). If you turn the volume up to 100%, your device will be sending a distorted signal. To avoid this, and to get the best quality from the speaker, we recommend that you do not run your device any higher than 95% volume. Some devices output higher than others, so you may need to reduce the volume if you experience distortion.

Specifications

Bluetooth® technology v5.0	
Bluetooth connectivity distance	up to 10 m
Frequency band	2402 – 2480 MHz
Transmission power	4 dBm (conducted)
Frequency response	100 Hz – 20 kHz
Drivers	1 x 38 mm
Output RMS	3 W
Battery	600 mAh LiPo
Play time	up to 3 hours
Charging time	up to 2 hours
IP ratings	IP67
Working temperature	-5°C ~ +45°C
Speaker size (mm)	H123mm x W68mm x D68mm
Cable length	50 cm
Weight	157 g

Troubleshooting

We hope you've now got all the information you need to get started, but if you're having problems with anything, please feel free to contact us at: support@kitsound.co.uk

'Hereby, Kondor Ltd declares that the radio equipment type, KSMMSp, is in compliance with Directive 2014/53/EU. The full text of the EU declaration of conformity is available at the following internet address: <http://kondor.co.uk/product-documents>.'

FCC ID: 2ADFF - KSMMSp

This device complies with Part 15 of the FCC rules. Operation is subject to the following two conditions:

- (1) this device may not cause harmful interference, and
- (2) this device must accept any interference received, including interference that may cause undesired operation.

Warning: Changes or modifications not expressly approved by the party responsible for compliance could void the user's authority to operate the equipment.

NOTE: This equipment has been tested and found to comply with the limits for a Class B digital device and ISM equipment, pursuant to part 15 of the FCC Rules respectively. These limits are designed to provide reasonable protection against harmful interference in a residential installation. This equipment generates, uses and can radiate radio frequency energy and, if not installed and used in accordance with the instructions, may cause harmful interference to radio communications. However, there is no guarantee that interference will not occur in a particular installation. If this equipment does cause harmful interference to radio or television reception, which can be

determined by turning the equipment off and on, the user is encouraged to try to correct the interference by one or more of the following measures:

- Reorient or relocate the receiving antenna.
- Increase the separation between the equipment and receiver.
- Connect the equipment into an outlet on a circuit different from that to which the receiver is connected.
- Consult the dealer or an experienced radio/TV technician for help

The use and operation of this product is beyond our control. Warranty of the KS Mini Mover 20 Kids Party Speaker is limited to defects caused by faulty manufacture or defects in materials only. No warranty whatsoever is given or implied for damage caused by the user under any circumstances.

This does not affect your statutory rights.

Please do not attempt to open this product. There are no user serviceable parts inside. If your product has an embedded, non-replaceable battery, do not attempt to access or remove the battery. This may cause personal injury and will damage the product.

Making any attempt to open the product or carry out repair voids any and all warranties.

We are sorry for any inconvenience caused by minor inconsistencies in these instructions, which may occur as a result of product improvement and development.

BACKCOVER

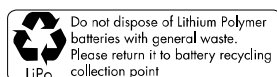


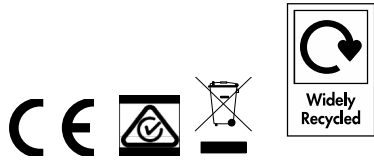
The Bluetooth® word mark and logos are registered trademarks owned by the Bluetooth SIG, Inc. and any use of such marks by Kondor Ltd. is under license. Other trademarks and trade names are those of their respective owners.

All trademarks are acknowledged as the property of their respective owners. Unless otherwise stated their use does not imply that the trademark owner is affiliated with KitSound or endorses the products herein.

Products showing the 'Crossed Through' wheelee bin symbol must be recycled separately from household waste at the end of their useful life. Please DO NOT dispose of this appliance in normal household waste. Your local appliance retailer may operate a 'take-back' scheme when you are ready to purchase a replacement product, alternatively contact your local government authority for further help and advice on where to take your appliance for recycling.

Please recycle this packaging responsibly.





JB. 6788-f/REG05/KSMMSP/Made in China. © KitSound is a trademark of Kondor Limited, 2019.
Christchurch, Dorset, BH23 4FL, UK