

Wireless Optical Mouse

User Manual

Welcome

Thank you for selecting this product! Your wireless optical mouse uses a newly developed wireless technology 27MHz that replaces the traditional wired mouse. You can use your wireless optical mouse freely and improve your efficiency and enjoy your beautiful life from the high technology.

Product Features

1. Use 27MHz electric wave to transmit the data , enjoy your freely wireless space
2. It has 256 ID code. Automatic memory function. there is no interference even many mice being used at the same time.
3. Automatically save power sleeping functions in 8 minutes, battery life will be prolonged.

Systems Compatibility

IBM PC and Win 98SE/Me/2000/XP/VISTA

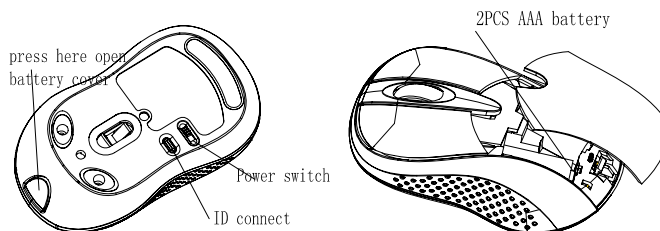
No need driver

The Steps of using the mouse

1. Please take out the receiver from the packaging, insert your PC or Notebook USB port. Will automatically install the software. If the system was Wind98SE, please operate as per the computer instructions. Maybe the CD-ROM will be used during the operating. Because the system can't install automatically.

2. Please prepare for two PCS new AA alkaline batteries. Press the button of the mouse upper cover and pull the battery cover rearward (Please see the reference picture)

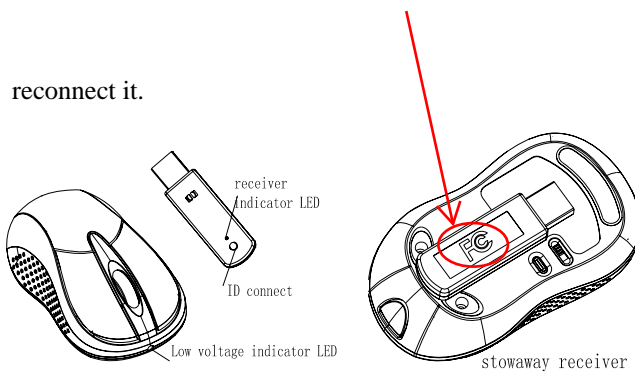
3. Please insert the batteries correctly according to the polarity marks of the battery grooves.
4. Pull the battery covers forward, when you hear "crack" sound which shows the battery cover is locked successfully.
5. Please keep the power be on condition, and the lowlight LED will flicker till the highlight LED is bright.
6. Now you can use the mouse.



Reconnect

The receiver and transmitter have same ID code for receiving and transmitting. If the ID code was lost or different, the mouse will not be used. So you must reconnect.

1. Put the receiver insert the USB port, the indicator lamp will be bright, then install the batteries into the mouse. Keep the switch on.
2. Click the switch of the receiver ID, the indicator lamp will be flicker, and re-click the switch, the flicker will be very fast. It's means that the connecting is successful.
3. Now you can use your mouse.
3. Please don't press the ID switch at your ease. Or else, the ID code will be reset. So you had to



Attention Please

1. Please don't make the mouse far away from the receiver in order to work more smoothly.
2. This mouse with save power sleeping functions, please press any key or scroll the wheel to wake up the mouse when it is sleeping.
3. If you want to take off the mouse power, please turn off the power switch. If you will trip or not use the mouse for a long time, please take out the batteries.
4. When the batteries lift will be expire, the red indicator lamp will be flicker. It notes that the batteries have exhausted. So please change the new batteries.
5. The mouse have memory ID code function automatically. So the ID code will not loss, when the power is off..
6. You can stowaway the receiver when don't use the mouse.

Caution

1. This device complies with Part 15 of the FCC Rules. Operation is subject to the following two conditions: (1) This device may not cause harmful interference, and (2) This device must accept any interference received, including interference that may cause undesired operation.
2. Changes or modifications not expressly approved by the party responsible for compliance could void the user's authority to operate the equipment.

Note

Note: This equipment has been tested and found to comply with the limits for a Class B digital device, pursuant to part 15 of the FCC Rules. These limits are designed to provide reasonable protection against harmful interference in a residential installation. This equipment generates, uses and can radiate radio frequency energy and, if not installed and used in accordance with the instructions, may cause harmful interference to radio communications. However, there is no guarantee that interference will not occur in a particular installation. If this equipment does cause harmful interference to radio or television reception, which can be determined by turning the equipment off and on, the user is encouraged to try to correct the interference by one or more of the following measures:

- Reorient or relocate the receiving antenna.
- Increase the separation between the equipment and receiver.

Connect the equipment into an outlet on a circuit different from that to which the receiver is connected.

- Consult the dealer or an experienced radio/TV technician for help.

*The equipment is to be supplied from an identified USB port complying with the requirements of Limited Power Source.