

## OPERATING INSTRUCTIONS

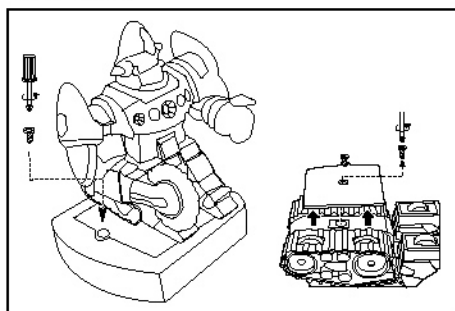
Please read carefully before starting to operate.  
It is recommended to operate the robot under adult supervision.  
Not recommended for children under 8 year of age.  
Keep the instruction manual for future reference.  
**Note:** Cannot play 2 robots together in the same frequency.

## FEATURES

- Full Function- runs forward, backward, turns left and right, stops.

## BATTERY REQUIREMENT

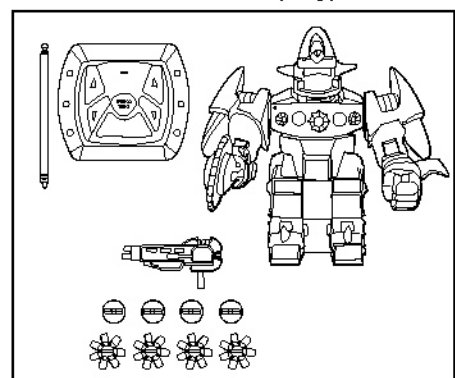
Your Meka-Zoku Robot comes with a built-in Ni-MH rechargeable battery to power the robot, and requires four "AAA" batteries (not included) for the controller/charger. Four Button Cell(3.6V) for the robot back. Unscrew the battery compartment cover of the remote controller with a screwdriver. Unscrew the screw from the back of the cover to take out the robot.



**Note:** four Button Cell batteries included are for "Try Me". Please replace with new batteries before operating toy.

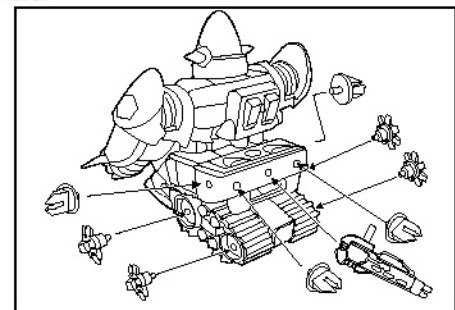
## ASSEMBLY INSTRUCTIONS

Your Meka-Zoku Robot includes everything you see here:



## Assemble the weapons

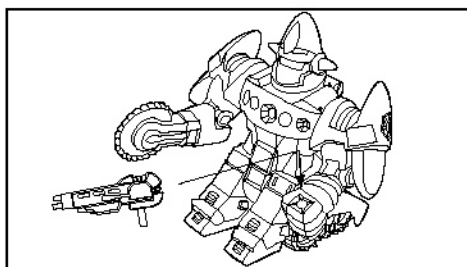
All of the weapons are interchangeable with other Meka-Zoku Robot.



## BATTERY INSTALLATION AND CHARGER

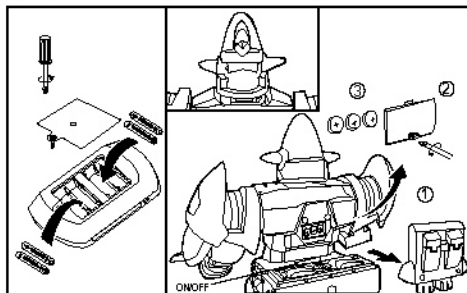
### (A) The Controller

The controller controls its steering and speed. A power pack/charger is provided for the power source of the controller.



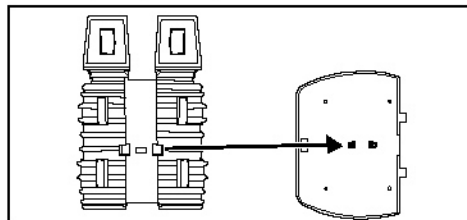
You need to install four "AAA" batteries.

- 1) Slide ON/OFF to OFF.
- 2) Unscrew the battery compartment cover of the remote controller with a screwdriver.
- 3) Place four "AAA" batteries in the compartment according to the polarity (+and-) marked inside. Alkaline batteries recommended.
- 4) Replace the battery compartment cover.

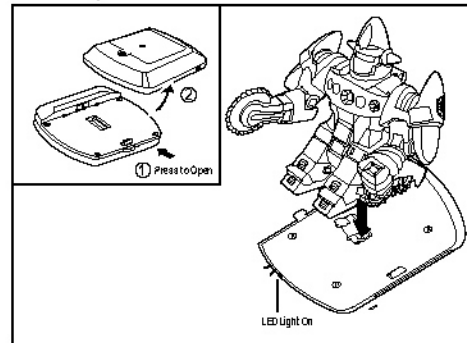


### (B) Charge The Robot

- Your Meka-Zoku Robot comes with a built-in Ni-MH rechargeable battery for power. You can charge the battery using the power of the controller battery pack. You need to detach the power pack/charger from the remote controller.



- Align the metal contact points on the chassis with the metal contact points on top of the charger. Place the bottom of the robot on the charger and snap it into position-it will lock automatically.



- The charger light will turn on to let you know it is charging. The controller indicator light will turn off when the Meka-Zoku Robot is fully charged.

## HOW TO OPERATE:

- 1) Slide ON/OFF on the transmitter to ON.
- 2) Slide ON/OFF on the bottom and the back of the robot to ON.
- 3) Unscrew the antenna from the back of the controller.

Press and screw the antenna onto the left top of the controller. Fully extend the antenna.

- 4) Use the transmitter's levers to control the movement and direction of the robot. Always keep the robot within the range of control.

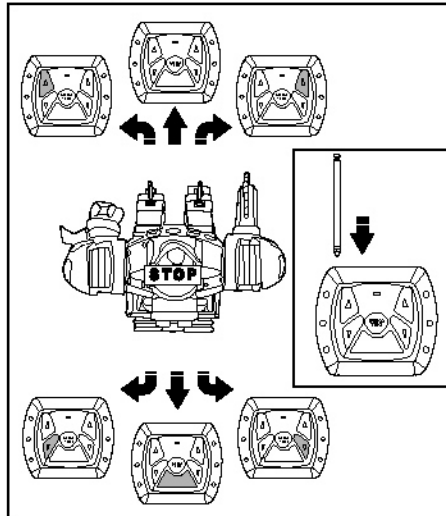
**Note:** If the robot moves slowly or does not move at all, replace the batteries with fresh ones.

### Left Control Lever

- Press forward to move forward.
- Press backward to move backward.
- Release to stop.

### Right Control Lever (Works together with Left Control Lever)

- Press left to turn left.
- Press right to turn right.
- Release to go straight.



## CAUTION

- The try me device is not a toy, unplug it from the chassis before you operate the robot and keep it away from children.
  - Avoid combined use of rechargeable batteries.
  - Do not mix battery types.
  - Do not mix old and new batteries.
  - Replace all batteries together.
  - Observe correct polarity.
  - Remove batteries when not in use.
  - Non-rechargeable batteries are not to be recharged.
  - Rechargeable batteries are to be removed from the toy before being charged.
  - Rechargeable batteries are only to be charged under adult supervision.
  - Only batteries of the same or equivalent type as recommended are to be used.
  - Exhausted batteries are to be removed from the toy.
  - The supply terminals are not to be short circuited.
- Note:** Dispose of old batteries promptly and properly, do not burn or bury them.

## THE FCC WANTS YOU TO KNOW:

**NOTE:** The manufacturer is not responsible for any radio or TV interference caused by unauthorized modifications to this equipment. Such modifications could void the User's authority to operate the equipment.

This device complies with Part 15 of the FCC Rules. Operation is subject to the following two conditions:

- (1) This device may not cause harmful interference, and
- (2) This device must accept any interference received, including interference that may cause undesirable operation.

## OPERATING INSTRUCTIONS

Please read carefully before starting to operate.  
It is recommended to operate the robot under adult supervision.  
Not recommended for children under 8 year of age.  
Keep the instruction manual for future reference.

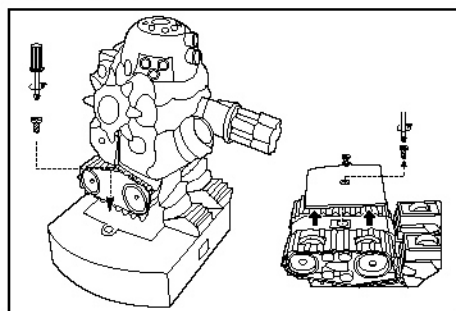
**Note:** Cannot play 2 robots together in the same frequency.

## FEATURES

- Full Function- runs forward, backward, turns left and right, stops.

## BATTERY REQUIREMENT

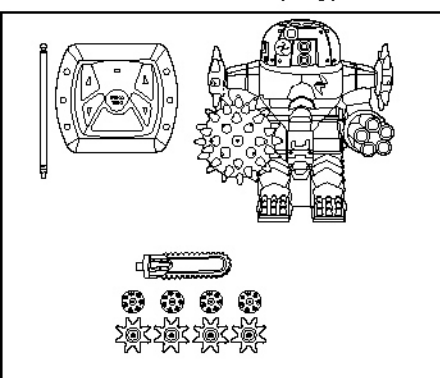
- Your Meka-Zoku Robot comes with a built-in Ni-MH rechargeable battery to power the robot, and requires four "AAA" batteries (not included) for the controller/charger.  
- Four Button Cell(3.6V) for the robot back. Unscrew the battery compartment cover of the remote controller with a screwdriver. Unscrew the screw from the back of the cover to take out the robot.



**Note:** four Button Cell batteries included are for "Try Me". Please replace with new batteries before operating toy.

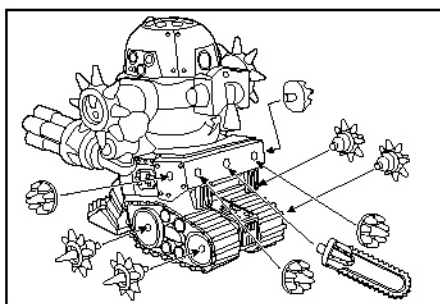
## ASSEMBLY INSTRUCTIONS

Your Meka-Zoku Robot includes everything you see here:



## Assemble the weapons

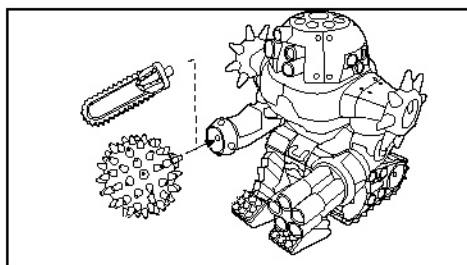
All of the weapons are interchangeable with other Meka-Zoku Robot.



## BATTERY INSTALLATION AND CHARGER

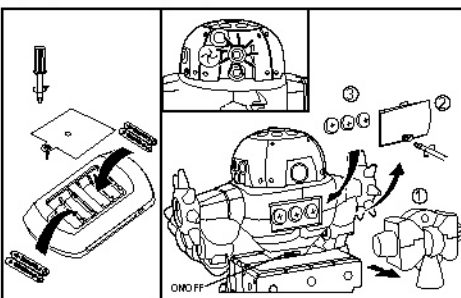
### (A) The Controller

The controller controls its steering and speed. A power pack/charger is provided for the power source of the controller.



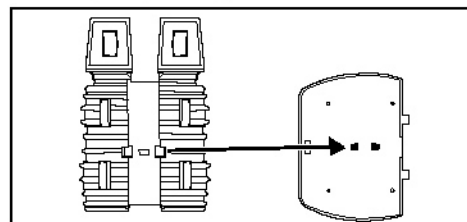
You need to install four "AAA" batteries.

- 1) Slide ON/OFF to OFF.
- 2) Unscrew the battery compartment cover of the remote controller with a screwdriver.
- 3) Place four "AAA" batteries in the compartment according to the polarity (+and-) marked inside. Alkaline batteries recommended.
- 4) Replace the battery compartment cover.

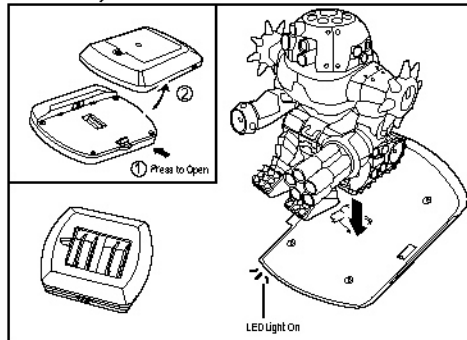


### (B) Charge The Robot

- Your Meka-Zoku Robot comes with a built-in Ni-MH rechargeable battery for power. You can charge the battery using the power of the controller battery pack. You need to detach the power pack/charger from the remote controller.



- Align the metal contact points on the chassis with the metal contact points on top of the charger. Place the bottom of the robot on the charger and snap it into position-it will lock automatically.



- The charger light will turn on to let you know it is charging. The controller indicator light will turn off when the Meka-Zoku Robot is fully charged.

### HOW TO OPERATE:

- 1) Slide ON/OFF on the transmitter to ON.
- 2) Slide ON/OFF on the bottom and the back of the robot to ON.
- 3) Unscrew the antenna from the back of the controller.

Press and screw the antenna onto the left top of the controller. Fully extend the antenna.

- 4) Use the transmitter's levers to control the movement and direction of the robot. Always keep the robot within the range of control.

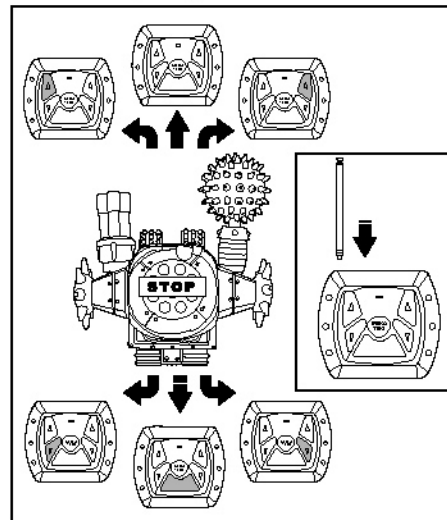
**Note:** If the robot moves slowly or does not move at all, replace the batteries with fresh ones.

### Left Control Lever

- Press forward to move forward.
- Press backward to move backward.
- Release to stop.

### Right Control Lever (Works together with Left Control Lever)

- Press left to turn left.
- Press right to turn right.
- Release to go straight.



## CAUTION

- The try me device is not a toy, unplug it from the chassis before you operate the robot and keep it away from children.
  - Avoid combined use of rechargeable batteries.
  - Do not mix battery types.
  - Do not mix old and new batteries.
  - Replace all batteries together.
  - Observe correct polarity.
  - Remove batteries when not in use.
  - Non-rechargeable batteries are not to be recharged.
  - Rechargeable batteries are to be removed from the toy before being charged.
  - Rechargeable batteries are only to be charged under adult supervision.
  - Only batteries of the same or equivalent type as recommended are to be used.
  - Exhausted batteries are to be removed from the toy.
  - The supply terminals are not to be short circuited.
- Note:** Dispose of old batteries promptly and properly, do not burn or bury them.

## THE FCC WANTS YOU TO KNOW:

**NOTE:** The manufacturer is not responsible for any radio or TV interference caused by unauthorized modifications to this equipment. Such modifications could void the User's authority to operate the equipment.

This device complies with Part 15 of the FCC Rules. Operation is subject to the following two conditions:

- (1) This device may not cause harmful interference, and
- (2) This device must accept any interference received, including interference that may cause undesirable operation.