

Spinnaker – e30

User Manual

Page 1 Important safety instruction

Thank you for purchasing your new Edifier product. Edifier strives to provide high quality speaker products that exceed the needs of our customers, even the most demanding ones. This product will add great sound performance to your home entertainment, personal computer, MP3 portable audio device or mini home theatre. Please read this manual carefully to achieve the maximum results of this system.



The lightning flash with arrowhead inside the triangle, is intended to alert the user to the presence of un-insulated dangerous voltage within the product's enclosure that may be of a sufficient magnitude to constitute a risk of electric shock to persons.



To prevent the risk of electric shock, do not remove cover (or back panel). No user-serviceable Parts inside. Refer servicing to qualified service personnel only.



The exclamation point inside the triangle is intended to alert the user to the presence of important operating and maintenance (servicing) instructions within the user manual accompanying the product.

SAFETY INSTRUCTIONS

Please read all the instructions in this manual. Please retain this manual safely for future reference.

Please heed all safety warnings. Please install in accordance with the manufacturer's instructions.

Please adjust the volume control to a comfortable level to avoid damaging your hearing and the system.

- Do not expose this apparatus to rain or moisture.
- Do not use the speakers near water, and do not immerse them in any liquid or pour any liquid on them.
- Protect the power cord from being walked on or pinched particularly at plugs, convenience receptacles, and the point where they exit from the apparatus.
- For added protection during lightning storms, unplug the speakers from the electrical outlet and computer.
- Unplug this apparatus when unused for long periods of time.
- Place the speakers away from all heat sources, such as heaters, stoves, and direct sunlight.
- Do not block the openings in the speaker cabinets. Never push objects into speaker vents or slots. Prevent risk of fire or electric shock hazards, and provide sufficient space around the speakers for proper ventilation.
- Place the speakers in a stable location so that it will not fall causing damage to the speakers or bodily harm.
- Unplug the speakers from the computer and from the electrical outlet before cleaning them with a damp cloth.
- Servicing is required when the apparatus has been damaged in any way, such as the power-supply cord or plug is damaged, liquid has been spilled or objects have fallen into the apparatus, the apparatus has been exposed to rain or moisture, does not operate normally, or has been dropped. Refer all servicing to qualified service personnel only.

Note: the marking is located on the bottom enclosure of the speaker.

Danger of explosion if the battery is incorrectly replaced. Replace only with the same or equivalent type.

The battery shall not be exposed to excessive heat such as sunshine, fire or the like.

the MAINS plug or an appliance coupler is used as the disconnect device, the disconnect device shall remain readily operable

1. FCC Caution:

"Changes or modifications not expressly approved by the part responsible for compliance could void the user's authority to operate the equipment."

2. FCC Statement:

"This equipment has been tested and found to comply with the limits for a Class B digital device, pursuant to part 15 of the FCC Rules. These limits are designed to provide reasonable protection against harmful interference in a residential installation. This equipment generates, uses and can radiate radio frequency energy and, if not installed and used in accordance with the instructions, may cause harmful interference to radio communications. However, there is no guarantee that interference will not occur in a particular installation. If this equipment does cause harmful interference to radio or television reception, which can be determined by turning the equipment off and on, the user is encouraged to try to correct the interference by one or more of the following measures:

- Reorient or relocate the receiving antenna.
- Increase the separation between the equipment and receiver.
- Connect the equipment into an outlet on a circuit different from that to which the receiver is connected.
- Consult the dealer or an experienced radio/TV technician for help."

3. FCC statement:

" This device complies with part 15 of the FCC Rules. Operation is subject to the following two conditions: (1) This device may not cause harmful interference, and (2) this device must accept any interference received, including interference that may cause undesired operation."

This device complies with Industry Canada license-exempt RSS standard(s). Operation is subject to the following two conditions: (1) this device may not cause interference, and (2) this device must accept any interference, including interference that may cause undesired operation of the device.

Cet appareil s'accorde avec Industrie Canada licence-exempte RSS standard.
(1) cet appareil ne peut pas causer l'intervention, et (2) cet appareil doit accepter de l'intervention, y compris l'intervention qui peut causer l'opération non désirée de.

This Class **【B】** digital apparatus complies with Canadian ICES-003.
Cet appareil numérique de la classe B est conforme à la norme NMB-003 du Canada.



Correct Disposal of this product. This marking indicates that this product should not be disposed with other household wastes throughout the EU. To prevent possible harm to the environment or human health from uncontrolled waste disposal, recycle it responsibly to promote the sustainable reuse of material resources. To return your used device, please use the return and collection systems in your area or contact the retailer where the product was purchased. They can take this product for environmentally safe recycling.

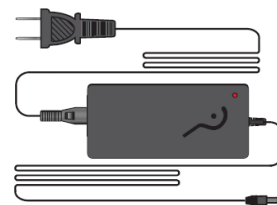


This equipment is a Class II or double insulated electrical appliance. It has been designed in such a way that it does not require a safety connection to electrical earth or ground.

Box contents



Spinnaker



Power adapter & power cable



Remote control

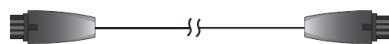
User
Manual



Fiber optical audio connecting cable



USB-Micro USB connecting cable



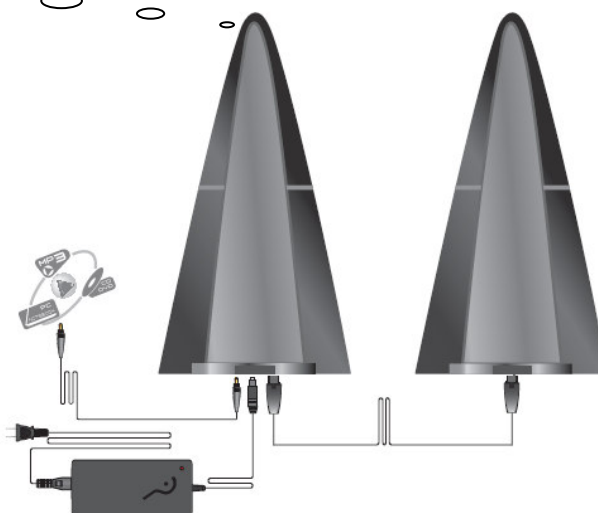
Speaker connecting cable



3.5mm~3.5mm audio connecting cable

Connectivity

Bluetooth



Note: Please adjust the volume to a minimum before connecting to your external audio device, once the connection is complete, play the music and adjust the volume to a desired level.

Page 3 Illustrations

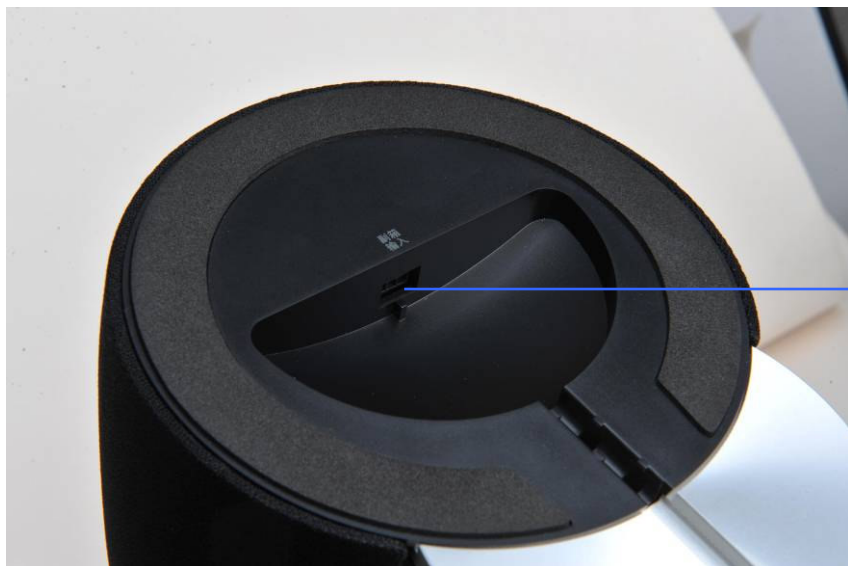
LED indicator:

Audio input	LED On	LED Flashing
Bluetooth	Blue	Mute
AUX	Green	
Optical	Red	



- Connect to audio connecting cable
- Connect to external subwoofer
- Connect to power adapter
- Connect to passive speaker
- Connector for software update
- Cable track

Connectors on the bottom of active speaker



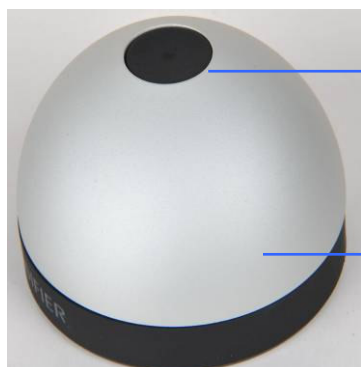
- Connect to active speaker

Connectors on the bottom of passive speaker

Bluetooth version: V2.1+EDR

Bluetooth profiles: A2DP, AVRCP

Bluetooth range: line of sight, 10M or 30FT



Operation		Function
Top Button	Press once	Mute / Play
	Press & hold	Switch off Bluetooth/Standby/On
Volume control	Rotate clockwise	Volume up
	Rotate counterclockwise	Volume down
	Press & hold the button, rotate the volume control counterclockwise at the same time	Previous track (Bluetooth input)
	Press & hold the button, rotate the volume control clockwise at the same time	Next track (Bluetooth input)



Micro-USB Port:

Connect the remote control using the USB cable provided to your computer or wall adaptor for at least 2 hours to **ensure a full charge**.

Red indicator light:

1. The red indicator light fades in and out when charging the built-in lithium-ion battery. When the battery is fully charged, the light will automatically turn off.
2. The red indicator light will flash while the remote is in use.

Note: When system is mute, rotating the volume dial will un-mute the system.

Page 6 Operational guide



Power on

- 1 Connect the power adapter to speaker and then connect to the wall socket.
- 2 The indicator light on the Spinnaker is now green. The system is on.



AUX input

- 1 Connect the "AUX IN / Opt IN" to your PC sound card, MP3, MP4 or external audio source using the 3.5mm to 3.5mm audio connecting cable, **the LED indicator light is green.**
- 2 Play the music on the connected device.
- 3 Adjust the volume to the desired level.

Digital
Optical

Optical input

- 1 **Connect the "AUX IN / Opt IN" to audio source which contains optical connector using the optical connecting cable, the LED indicator light is red.**
- 2 Play the music on the connected device.
- 3 Adjust the volume to the desired level.



General guideline for portable devices

- 1 Set you device (mobile phone, **tablet** device, MP3 player etc.) to search and select "EDIFIER Spinnaker". When the connection is made, the LED indicator **light** on active speaker turns to blue.

Bluetooth® General guideline for computer connection

- 1 Turn on your Bluetooth settings on your computer to be discoverable and enabled.
 - 2 If your computer does not have Bluetooth built-in, connect your external Bluetooth adapter and follow the device set up procedures.
 - 3 Within your computer Bluetooth settings, add and search for new devices. The speaker name is “EDIFIER Spinnaker”.
 - 4 Select the “EDIFIER Spinnaker” system to pair/ make the Bluetooth connection. Once complete, the screen will display “Bluetooth Connected”.
 - 5 Within your computer sound preferences, select the external speaker device / “EDIFIER Spinnaker” as your sound output / audio source.
- ✖ For specific details about Bluetooth setup and connectivity, please refer to the user manual for your computer.

Connect to external subwoofer

- 1 Connect your external subwoofer to the connector (3.5mm) “LINE OUT”.
- 2 Play the music on the connected audio device.

Page 8 Specifications

Total power:	RMS $10W \times 2$ (treble)+ $10W \times 2$ (Mid-range) + $25W \times 2$ (bass) (THD+N=10%,f0=1kHz)
Signal to noise rate:	≥ 90 dB
Distortion:	$\leq 0.5\%$
Frequency response:	68Hz–20KHz
Input sensitivity:	AUX: 650 ± 50 mV Optical: 650 ± 50 mV
Input type:	Bluetooth / AUX / Optical
Bass unit:	4inch (116mm), magnetically shielded, 6Ω
Mid-range unit:	$2\frac{3}{4}$ inch (70mm), magnetically shielded, 4Ω

Treble unit:	Φ19mm silk dome tweeter, magnetically shielded, 4Ω
System dimension:	140 mm × 413 mm × 189 mm (W x H x D)
Net weight:	Approx. 4.3kg
Gross weight:	Approx. 5.3kg

Page 11 Troubleshooting

● **Not all speakers function:**

Please first check if the speaker wires are connected securely;
then check if the line-in connectors are reversed; check also if the audio source is at fault.

● **One satellite speaker does not function when playing CD from computer:**

This kind of phenomena is prone to happen on new computer systems that one satellite does not function when playing CD, but system works fine when playing WAV formatted files.

This is mainly due to a faulty connection of CD-ROM and sound card, that one channel of signal is shorted to the ground.
Please refer to the manual of CD-ROM and sound card to adjust the wire connection.

● **After speaker automatically reconnects to the last connected USB Bluetooth soundcard, no music output from speaker system:**

Since some of the USB Bluetooth soundcard driver will not automatically enable SBC codec, please press and hold the FUNC button to disconnect with the soundcard, then set up the connection again from PC.

● **System does not work at all**

1. Please check if power is connected, and if the wall outlet is switched on.
2. Please check if the amplifier is still in STBY mode.
3. Please check if the master volume is turned to minimum.
4. Please check if the audio input cable is connected correctly.
5. Please check if there is signal from audio source.


● **Noise coming from speakers**

Amplifier circuitry of this product generates little noise, while the background noise of some VCD/DVD players or computers sound card may be too high.

Please keep the system in active mode and remove the audio source, if no sound can be heard at 1 meter away from the system, then there is no problem with this product.

● **Magnetic interference**

This system is completely magnetically shielded, and can be placed near TV or monitor. But since magnet of the subwoofer driver is large, some magnetism leakage is inevitable when the system is too close to the monitor, and it is recommended to keep a 1 meter distance between the speaker system and monitor or TV set.

 If you have any further questions or concerns regarding Edifier Products Please visit our website at: www.edifier.com, or email Edifier Support for further assistance at: main@edifier.com, If you prefer, you may contact us by phone, Toll Free: 1-877-EDIFIER (334-3437).