

Suit 2207, 22nd floor,
Tower 1, Lippo centre,
89 Queensway
Hong Kong

Tel: +852 2522 6989
Fax: +852 2522 1989
www.edifier.com
© 2017 Edifier International Limited. All rights reserved.
Printed in China

NOTICE:
For the need of technical improvement and system upgrade, information contained herein may be subject to change from time to time without prior notice.
Products of EDIFIER will be customized for different applications. Pictures and illustrations shown on this manual may be slightly different from actual product. If any difference is found, the actual product prevails.

EDIFIER



S70DB Active Speaker System Home Theatre/Home Entertainment/Lifestyle

User manual | Manuel d'utilisateur | Manual de usuario | Bedienungsanleitung | Manuale dell'utente | Manual do utilizador

Important safety instruction

- Please read the instructions carefully. Keep it in safe place for future reference.
- Use only accessories approved by the manufacturer.
- Install the instrument properly by following the instructions in the device connection section.
- Using the product in a 0-35°C environment is recommended.
- To reduce the risk of fire and electric shock, do not expose the product to rain or moisture.
- Do not use this product near water. Do not immerse the product into any liquid or have it exposed to dripping or splashing.
- Do not install or use this product near any heat source (e.g. radiator, heater, stove, or other devices that generate heat).
- Do not place any object filled with liquids, such as vases on the product; neither should any open fire, such as lighted candles be placed on the product.
- Do not block any ventilation openings. Do not insert any object into ventilation openings or slots. It may cause fire or electric shock.
- Keep sufficient clearance around the product to maintain good ventilation (minimum 5cm is recommended).
- Do not force a plug into the jack. Before connection, check for blockage in the jack and whether the plug matches the jack and is oriented to the right direction.
- Keep the provided accessories and parts (such as screws) away from children to prevent from being swallowed by mistake.
- Do not open or remove the housing wire or plug, exposure to liquid splash or foreign object falling in, exposure to rain or moisture, product not working or being dropped, etc.), the repair has to be performed by an authorized service professional immediately.
- Before cleaning the product with dry cloth, always turn off the product and disconnect the power plug first.
- Never use strong acid, alkali, gasoline, alcohol, or other chemical solvents to clean the product surface. Use only neutral solvent or clear water for cleaning.

Excessively loud music may lead to hearing loss. Please keep the volume in a safe range.

Correct Disposal of this product. This marking indicates that this product should not be disposed with other household wastes throughout the EU. To prevent possible harm to the environment or human health from uncontrolled waste disposal, recycle it responsibly to promote the sustainable reuse of material resources. To return your used device, please use the return and collection systems or contact the retailer where the product was purchased. They can take this product for environmental safe recycling.

Use only with the cart, stand, tripod, bracket, or table specified by the manufacturer, or sold with the apparatus. When a cart is used, use caution when moving the cart/apparatus combination to avoid injury from tip-over.

Important safety instruction

Power warning:

- Place the product near the power outlet.
- Before use, make sure that the operating voltage is the same as your local power supply. Correct operating voltage can be found on the product plate.
- For safety purpose, unplug the product during lightning storms or when unused for extended periods of time.
- Under normal conditions, the power supply may get hot. Please keep good ventilation in the area and exercise caution.
- Safety warning labels on the housing or bottom of the product or power adaptor.

This symbol is to alert the user to the presence of un-insulated dangerous voltage within the product's enclosure that may be of sufficient magnitude to constitute a risk of electric shock to persons.

This symbol is to warn the user not to disassemble the enclosure of the product and there is no user-replaceable part inside. Take the product to an authorized service center for repair.

This symbol indicates that the product is for indoor use only.

This symbol indicates that the product is a CLASS II or double insulated electrical device with no earth requirement.

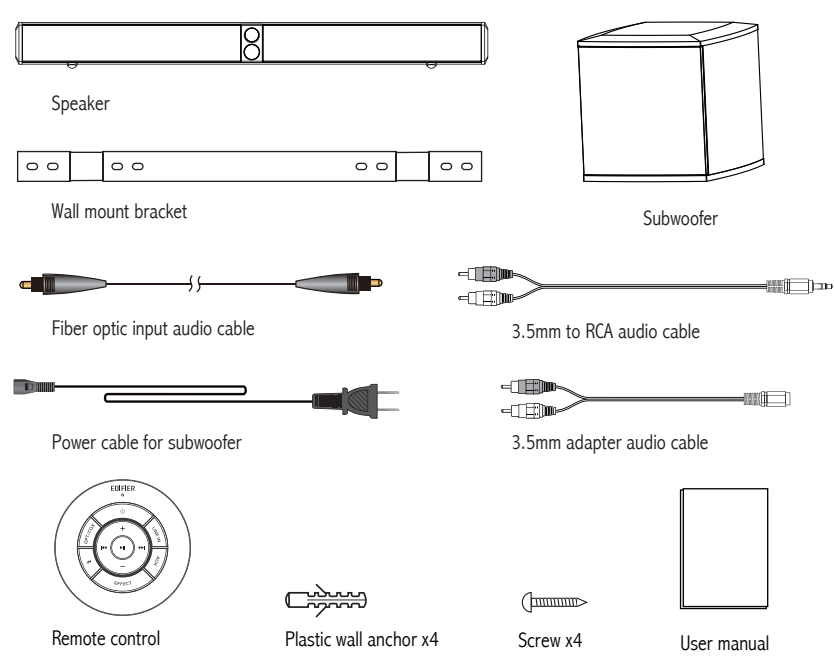
Products with grounding pin shall be connected to a power outlet with earth protection. For devices with detachable power cord, the product can be easily disconnected from the wire coupler. For devices without detachable power cord, unplug the product from wall socket to disconnect. For products equipped with all-pole mains switch, use the power switch as the disconnection device.

For wireless product:

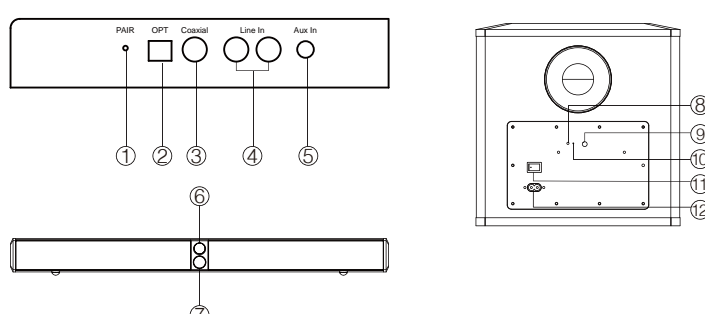
- Wireless product may generate shortwave radio frequencies and interfere with the normal use of other electronic devices or medical equipment.
- Turn off the product when it's disallowed. Do not use the product in medical facilities, on airplane, at gas stations, near automatic gates, automatic fire alarm system or other automated devices.
- Do not use the product in the vicinity of a pacemaker within a 20cm range. The radio waves may affect the normal operation of the pacemaker or other medical devices.

Unpack the box

Box contents

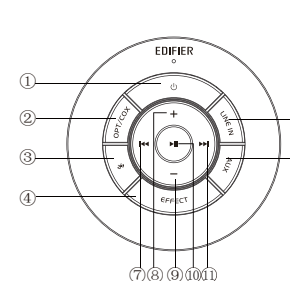


Illustrations



- Pair button
- Optical input
- Coaxial input
- Line in input
- Auxiliary input
- Display
- Master volume control (rotate to adjust volume)
Audio source selection (press to switch AUX→Line in→Bluetooth→OPT→COX)
Standby control (press and hold to Power ON/Standby)
System reset (press and hold to reset factory settings when showing system software versions)
- Status indicator
- Bass adjustment
- Pair button
- Power switch
- Power cable connector

Remote control



- Power ON/Standby
- OPT/COX (press to switch OPT/COX input)
- Bluetooth input (press and hold to disconnect Bluetooth)
- Sound effect selection
Press to switch between MUSIC/MOVIE/NEWS
- LINE IN input
- AUX input
- Bluetooth mode: previous track
Mute status: press and hold to show system software version
- Volume up
- Volume down
- Bluetooth mode: press to play/pause
OPT/COX/LINE IN/AUX mode: press to mute
- Bluetooth mode: next track

Battery installation and replacement
Rotate the battery cover based on the arrow direction and remove, correctly install the CR2025 battery into the battery compartment and close cover.

WARNING

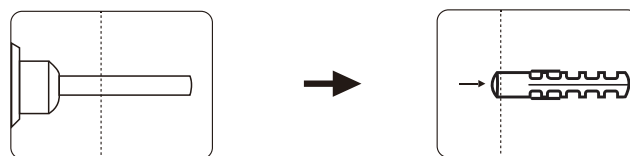
- Don't swallow the battery; danger of chemical burn.
- The product includes a wafer battery. Swallowing this battery may lead to injury or death. Do not place the new or old battery in where children can get to it.
- Don't use the product if the battery cover is missing or not closed, and keep the remote inaccessible to children.
- Please go to the hospital immediately if the battery is swallowed.

Note:

- Do not place the remote control in places that are hot and humid.
- Do not charge the batteries.
- Remove the batteries when unused for a long period of time.
- The battery should not be exposed to excessive heat such as direct sun, fire or similar.
- Danger of explosion if battery is incorrectly replaced. Replace only with the same or equivalent type.

Wall mount bracket installation

Drill hole on the wall

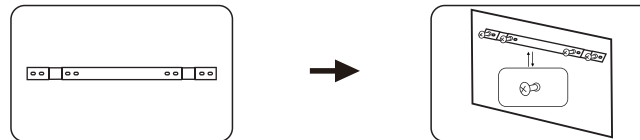


Drill 4 holes (Depth: 40mm/1.5", Hole size: 8mm/1/4") in the wall using the wall mount bracket as a template, then knock wall anchor into holes.

Note:

Hole's dimension may vary depending on wall materials, please adjust drill size to existing conditions for proper installation.

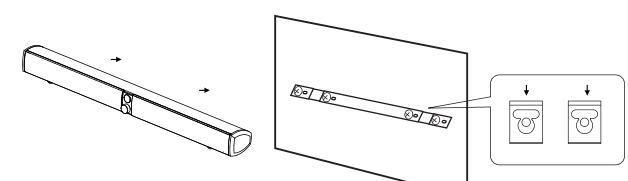
Fix wall mount bracket on the wall



Align mounting bracket to the holes and use screws to attach wall mount bracket

Wall mount bracket installation

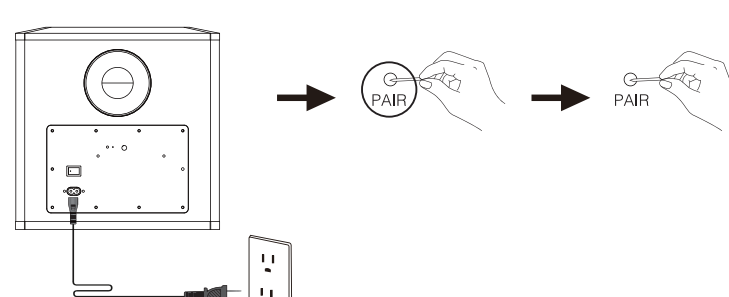
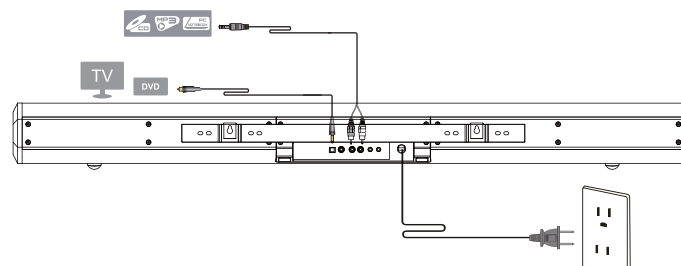
Put the speaker onto the wall mount bracket



Please make sure all audio cable connections are secure before mounting the speaker.

Warning: please carefully follow installation instructions to avoid damage.

Connection

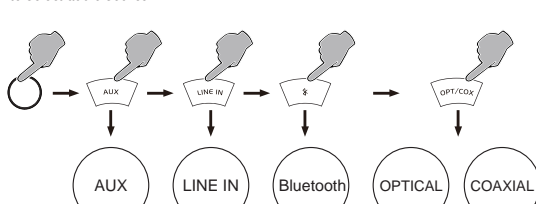


Pair the main speaker with the active subwoofer:

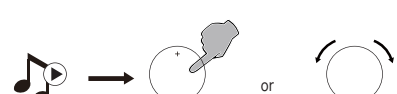
- After the active subwoofer is powered on, turn on power switch and red LED blinks slowly.
- Press the "Pair" button on the active subwoofer, red LED blinks quickly.
- Press and hold the "PAIR" button on the main speaker.
- When the red light is constantly lit, the connection is successful.

Basic operation

- Press in the "Master volume control" knob on the speaker or the corresponding audio source button on the remote control to select audio source.



- Play music and adjust to the comfortable volume.

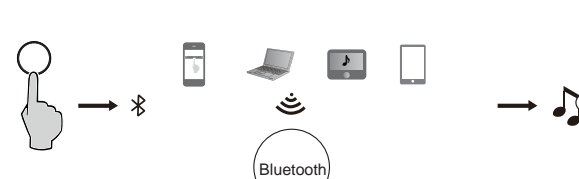


Note:

- Only the standard PCM audio signals (44.1kHz/48kHz/96kHz/192kHz) function in optical/coaxial mode.
- The system does not support compression-format digital signal like Dolby and DTS etc., it will automatically shut down the amplifier if input from those digital signals are detected.

Bluetooth operation

Bluetooth® Bluetooth input



- Press in the "Master volume control" knob on the speaker or "Bluetooth" button on the remote control to select Bluetooth mode. The display window shows up Bluetooth mode.
- Set your Bluetooth device (mobile phone, tablet etc.) to search and select "EDIFIER S70DB".
- PIN code for connection is "0000" if needed.

Note:

- Bluetooth connectivity and compatibility may be different between different source devices, depending on the software versions of source devices.
- To enjoy all Bluetooth functions of this product, please ensure your mobile device has A2DP profile.

Specification

Power output:	R/L (Treble): 12W+12W R/L (Mid-range and bass): 32W+32W S/W: 70W
Frequency response:	45Hz~20KHz
Noise level:	< 25dB(A)
Sensitivity:	AUX input: R/L: 400±50mV SW: 320±20mV Line in input: R/L: 600±50mV SW: 450±20mV OPT/COX input: R/L: 350±50mFFs SW: 220±20mFFs Bluetooth input: R/L: 500±50mFFs SW: 420±20mFFs
Tweeter unit:	1/2 inch (ø19mm)
Mid-range unit:	2 1/4 inch (70mm)
Bass unit:	8 inch (210mm)
Input type:	AUX/Line in/Bluetooth/Optical/Coaxial
Frequency Band:	2.402GHz~2.480GHz
RF Power output:	< 20 dBm (EIRP)

There are no restrictions of use.

Troubleshooting

Problem	Solution
No sound	<ul style="list-style-type: none"> Check if the power indicator light is ON Try to turn up the volume using either the master volume control or remote control. Ensure the audio cables are firmly connected and the input is set correctly on the speakers. Check if there is a signal output from the audio source.
Cannot connect via Bluetooth	<ul style="list-style-type: none"> Make sure the speaker is modes to Bluetooth input. If it is in other audio input modes, Bluetooth will not connect. Disconnect from any Bluetooth device by pressing and holding the volume dial in Bluetooth mode, then try again. Effective Bluetooth transmission range is 10 meters; please ensure that operation is within the range. Try another Bluetooth device for connection.
The S70DB does not turn on	<ul style="list-style-type: none"> Check if main power is connected, or if the wall outlet is switched on.

To learn more about EDIFIER, please visit www.edifier.com
For Edifier warranty queries, please visit the relevant country page on www.edifier.com and review the section titled Warranty Terms.
USA and Canada: service@edifier.ca
South America: Please visit www.edifier.com (English) or www.edifier.com (Spanish/Portuguese) for local contact information.

EDIFIER

FCC Statement

This device complies with part 15 of the FCC Rules. Operation is subject to the following two conditions:

- (1) This device may not cause harmful interference, and
- (2) This device must accept any interference received, including interference that may cause undesired operation.

Any Changes or modifications not expressly approved by the party responsible for compliance could void the user's authority to operate the equipment.

Note: This equipment has been tested and found to comply with the limits for a Class B digital device, pursuant to part 15 of the FCC Rules. These limits are designed to provide reasonable protection against harmful interference in a residential installation. This equipment generates uses and can radiate radio frequency energy and, if not installed and used in accordance with the instructions, may cause harmful interference to radio communications.

However, there is no guarantee that interference will not occur in a particular installation. If this equipment does cause harmful interference to radio or television reception, which can be determined by turning the equipment off and on, the user is encouraged to try to correct the interference by one or more of the following measures:

- Reorient or relocate the receiving antenna.
- Increase the separation between the equipment and receiver.
- Connect the equipment into an outlet on a circuit different from that to which the receiver is connected.
- Consult the dealer or an experienced radio/TV technician for help.

This equipment complies with FCC radiation exposure limits set forth for an uncontrolled environment. This equipment should be installed and operated with minimum distance 20cm between the radiator & your body.

IC Caution

The device meets the exemption from the routine evaluation limits in section 2.5 of RSS 102 and compliance with RSS-102 RF exposure, users can obtain Canadian information on RF exposure and compliance.

This device complies with Industry Canada licence-exempt RSS standard(s). Operation is subject to the following two conditions:

- (1) This device may not cause interference, and
- (2) This device must accept any interference, including interference that may cause undesired operation of the device.

This equipment should be installed and operated with a minimum distance of 20 cm between the radiator and your body.

Le dispositif rencontre l'exemption des limites courantes d'évaluation dans la section 2.5 de RSS102 et la conformité à l'exposition de RSS-102 rf, utilisateurs peut obtenir l'information canadienne sur l'exposition et la conformité de rf. Le present appareil est conforme aux CNR d'Industrie Canada applicables aux appareils radio exempts de licence. L'exploitation est autorisée aux deux conditions suivantes:

- (1) l'appareil ne doit pas produire de brouillage, et
- (2) l'utilisateur de l'appareil doit accepter tout brouillage radioélectrique subi, même si le brouillage est susceptible d'en compromettre le fonctionnement.

Cet équipement doit être installé et utilisé à une distance minimale de 20 cm entre le radiateur et votre corps.

IB-200-000000-05

名 称:	说明书FCC认证说明		东莞市漫步者科技有限公司
材 质:	80g书纸	版面设计:	
尺 寸:	125 × 120 (MM)	校 对:	
版本号及料号:	V1. 1/IB-200-000000-05	批 准:	