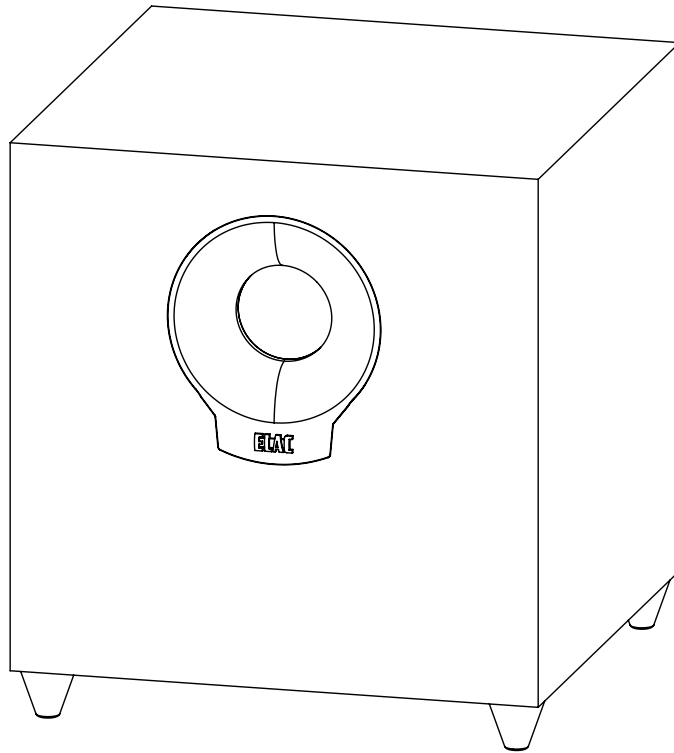


ELAC S10 POWERED SUBWOOFER



S10 Powered Subwoofer

OPERATING INSTRUCTIONS

Safety Instructions

1. General information

- Please read and follow these safety instructions.
- Keep them safe for future reference.
- Observe all warnings on the speaker and in the manual. Please check the speaker for damage before use. The speaker must be in perfect working condition. Damaged parts may lead to personal injury.

CAUTION! Subwoofers and active speakers may be heavy. Be careful when lifting them to prevent personal injury.

2. Use only as directed

- Connect the speaker(s) according to the instructions in the manual.
- Many ELAC speakers are equipped with spikes and/or anti-slip feet. They are explicitly provided for levelling the speaker. For levelling on an uneven floor, unscrew the spikes or anti-slip feet by 2-3 turns of thread. The speaker should always be in perfect vertical alignment: the stability of the speaker must not be compromised by using spikes or anti-slip feet as the speaker may tip-over.

3. Location

- Install the speakers on a level surface only
- When choosing the location of these speakers do not place them in locations that are:
 - In direct sunlight
 - Very humid
 - Prone to vibrations
 - Exceptionally hot or cold
 - Near CRT Televisions (the speakers are not magnetically shielded and may cause color issues with a CRT based TV)
 - Close to magnetic cards (Since the speakers are not magnetically shielded placing magnetic cards such as credit cards or commuter cards may cause them to fail).

WARNING! Please ensure the product is perfectly stable to avoid injury from tip-over. Please note, that stability can be increased by using spikes on carpeted surfaces. However, the mounting of spikes must be carried out carefully due to their very sharp ends which may cause injuries. The stability on slippery floors can be increased by using Velcro fastening tape or double-sided adhesive tape. Do not install the speaker near any heat sources such as radiators, heating valves, stoves, or other apparatus (including amplifiers) that produce heat, or in areas where there is a risk of explosion.

- Do not block any ventilation openings. Install in accordance with the manufacturer's instructions.
- Do not install the speaker in a closed rack or in a closed cupboard.
- Do not put burning candles on or near the speaker.
- Do not install the speaker near transformers because electromagnetic stray fields can cause hum noise on woofers.
- In combination with certain materials / lacquers / material surfaces, anti-slip feet or spike washers may cause colored imprints on the surfaces.

4. Overload

Extreme overload of the device due to very high volume may cause damage to individual components. Because of the possible danger, you should never leave loudspeakers under extreme overload conditions unattended.

5. Service

DANGER! Do not open the cabinet because of potentially hazardous voltages exist inside! Servicing to be carried out by qualified service personnel only.

Servicing is required when the loudspeaker has been damaged in any way, such as damage to the power supply cord or the plug, or when liquid has been spilled or objects have fallen into the loudspeaker, the speaker has been exposed to rain or moisture, does not operate normally, or has been dropped. To reduce the risk of electric shock, do not open the loudspeaker. Servicing to be carried out by qualified service personnel only.



6. Fuse links

Various faults in subwoofers or active speakers may cause the fuse to blow. If the fuse blows, only replace it with the correct fuse type and rating as shown on the rear of the loudspeaker on the fuse holder.

7. Cleaning

NOTE: Clean only with soft, smooth cloth or with dust brush. Do not use scouring agents, alcohol, benzene, furniture polish or other agents for cleaning! Modern furniture is often coated with multiple varnishes and plastics which can be treated with chemical agents. Some of these agents contain substances which degrade or soften the rubber feet. Therefore we advise you to place an anti-slip mat underneath the loudspeaker.

8. Volume

CAUTION! Continuous high volume may cause severe damage to your hearing. Please listen responsibly.

9. Disposal

The packaging is made from recyclable materials. Dispose of this in an environmentally friendly manner. At end of life do not dispose the speaker with the standard household waste. The speaker must be recycled in accordance with local legislation. Ask your local government for further information on recycling as the device contains valuable raw materials. Disable the speaker before disposal.

10. Power

This subwoofer is only intended to be connected to voltages that are listed on the rear panel of the cabinet. Connection to any other voltage may cause irreversible damage to the subwoofer and will void the warranty. Use of plug adapters is not recommended because they may allow connection to voltages other than those printed on the back of this subwoofer.

Philosophy

Thank you for purchasing this ELAC product.

Since the time we started (1926), ELAC has always striven to achieve the very best.

Your new ELAC speakers are built to the highest standards using high-quality components that are carefully constructed to deliver the best-in-class sound quality. They are developed by a passionate group of individuals whose soul purpose is to bring a new dimension of sound quality into your home. Enjoy!

Before Use

Avoid damage to the speakers and other components:

- Unbox the subwoofer carefully to avoid physical damage
- Keep your equipment turned off before connecting RCA cable
- Check to ensure power cable is pushed in and secured to avoid electrical shock and injury.

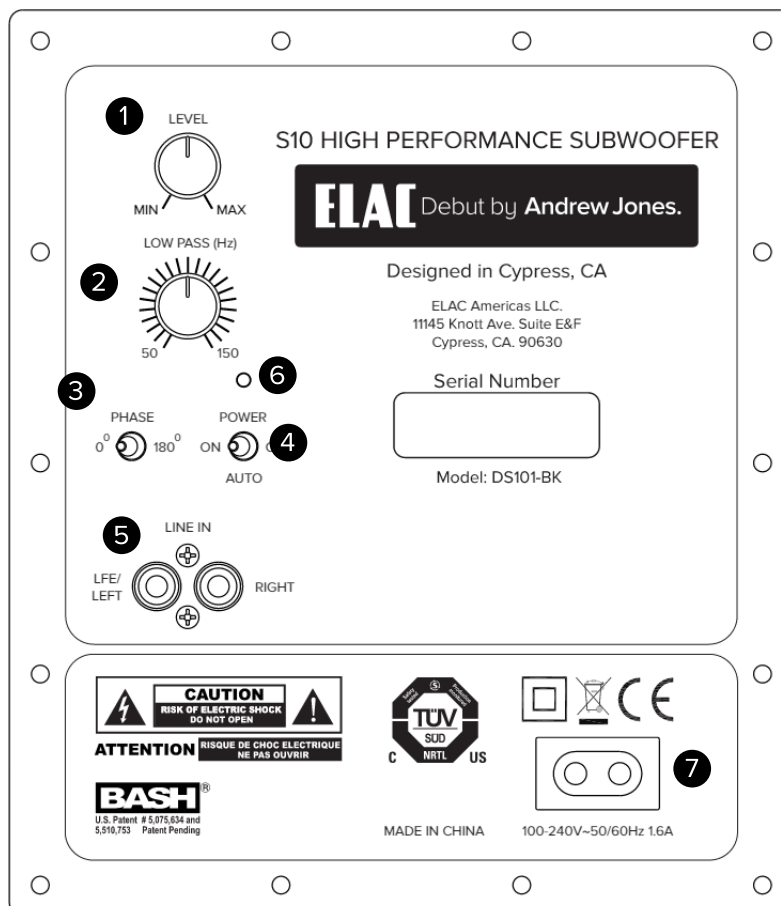
BASH Technology

The BASH® technology implemented in the amplifier module of the ELAC subwoofer features power reserves with typically much lower levels of distortion. This is achieved by using an audiophile class A/B power amplifier whose supply voltage is regulated by a class D amplifier circuit to prevent any unnecessary power losses and to approach the efficiency of a class D amplifier.

Since the audio signal is amplified in the analog domain, the high-frequency interference typical of class D amplifiers is minimized along with their problem where the switching speed of the transistors is limited leading to an increase of total harmonic distortion.

Controls and Indicators

1. Level — This control allows you to adjust the output of the subwoofer. The level should be adjusted so that it properly blends with the rest of your audio system.
2. Low pass (Hz) — This control adjust the crossover frequency or low-pass filter of the subwoofer. The filter can be set between 50 Hz and 150 Hz.
3. Phase — The phase switch allows you to invert the polarity (180 degrees) of the subwoofer to match the polarity of your main speakers and help blend the subwoofer signal.
4. Power — The power switch allows you to change the power mode of the subwoofer between “On” (Always on), “Off” (Always Off), or “Auto” which will automatically sense if an audio signal is present to turn the subwoofer on. After several minutes of inactivity the subwoofer will switch to standby mode to conserve power.
5. Line In — These line level inputs are used to connect the subwoofer to your pre-amp/AV receiver. When connecting to an AV Receiver with a single Subwoofer/LFE output, connect the RCA cable (not supplied) to the Left input. If you are connecting your subwoofer to a pre-amp or stereo system without a dedicated subwoofer output connect both the Left/Right inputs using stereo RCA cables (not included) to the stereo pre-outs on your pre-amp.
6. Power Indicator — This indicator will illuminate in Blue signifying the subwoofer is powered on. There will be no illumination when the subwoofer is off or in standby mode.
7. AC Inlet — Use the supplied power cord to connect the subwoofer to an available AC outlet.



Connecting your Subwoofer

- If you are connecting the subwoofer to an AV Receiver or Pre-Amp with a dedicated subwoofer or LFE output, connect an RCA cable (not supplied) from the LFE/Subwoofer output on the AV Receiver/Pre-Amp to the *Left* RCA input on the subwoofer (Fig 1).
- If you are connecting the subwoofer to a stereo pre-amp or AV Receiver **without** a dedicated LFE/Subwoofer output, connect a set of stereo RCA connectors to the left and right RCA inputs on the subwoofer. If you are using a pre-amp with only one set of pre-outs, use a splitter for each output on the pre-amp and connect two sets of stereo RCA cables to both the amplifier and to the subwoofer (Fig 2).

Fig 1

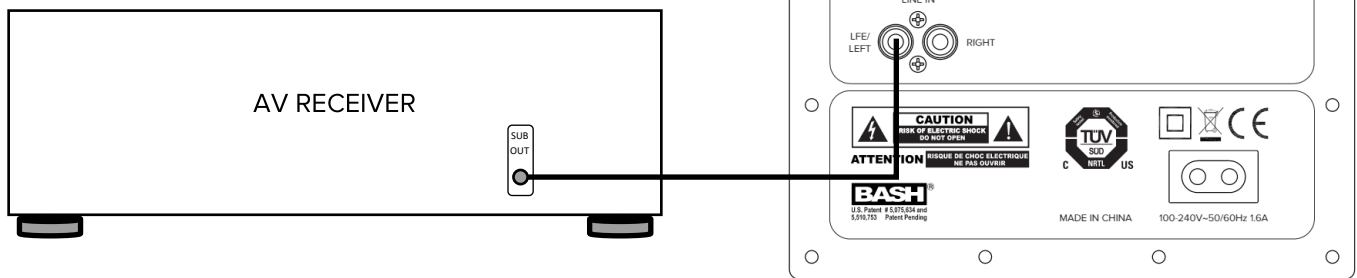
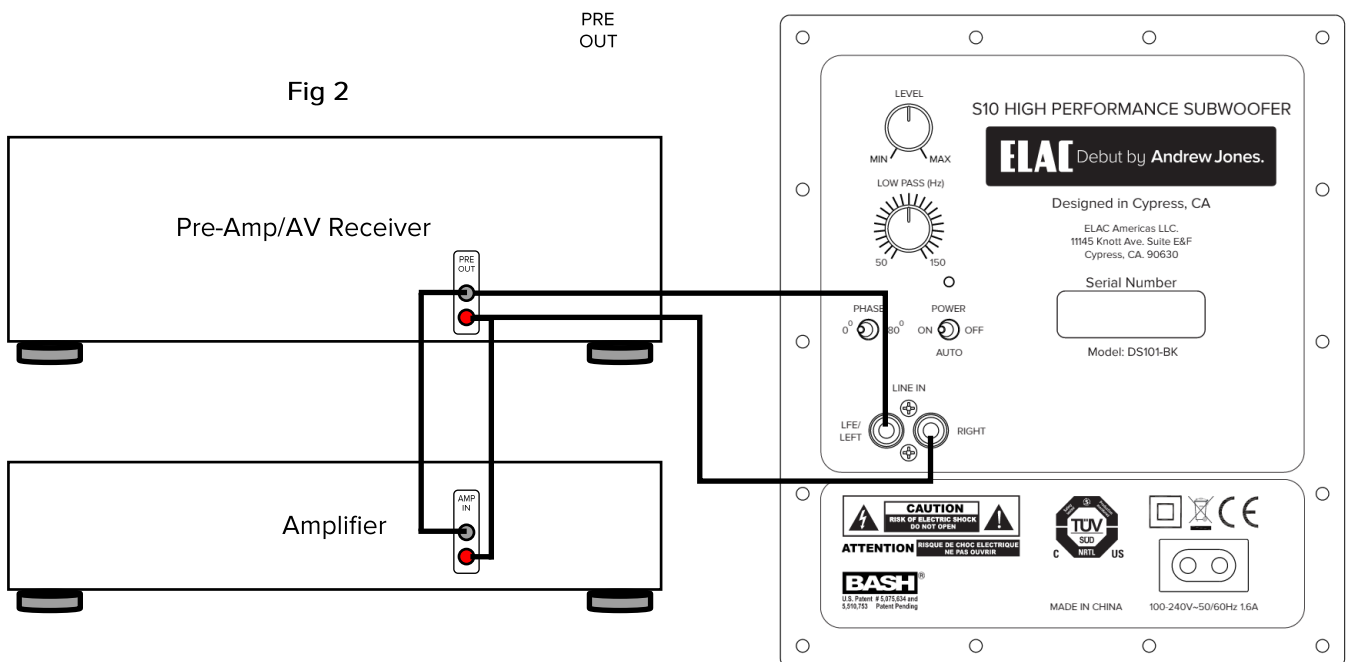


Fig 2

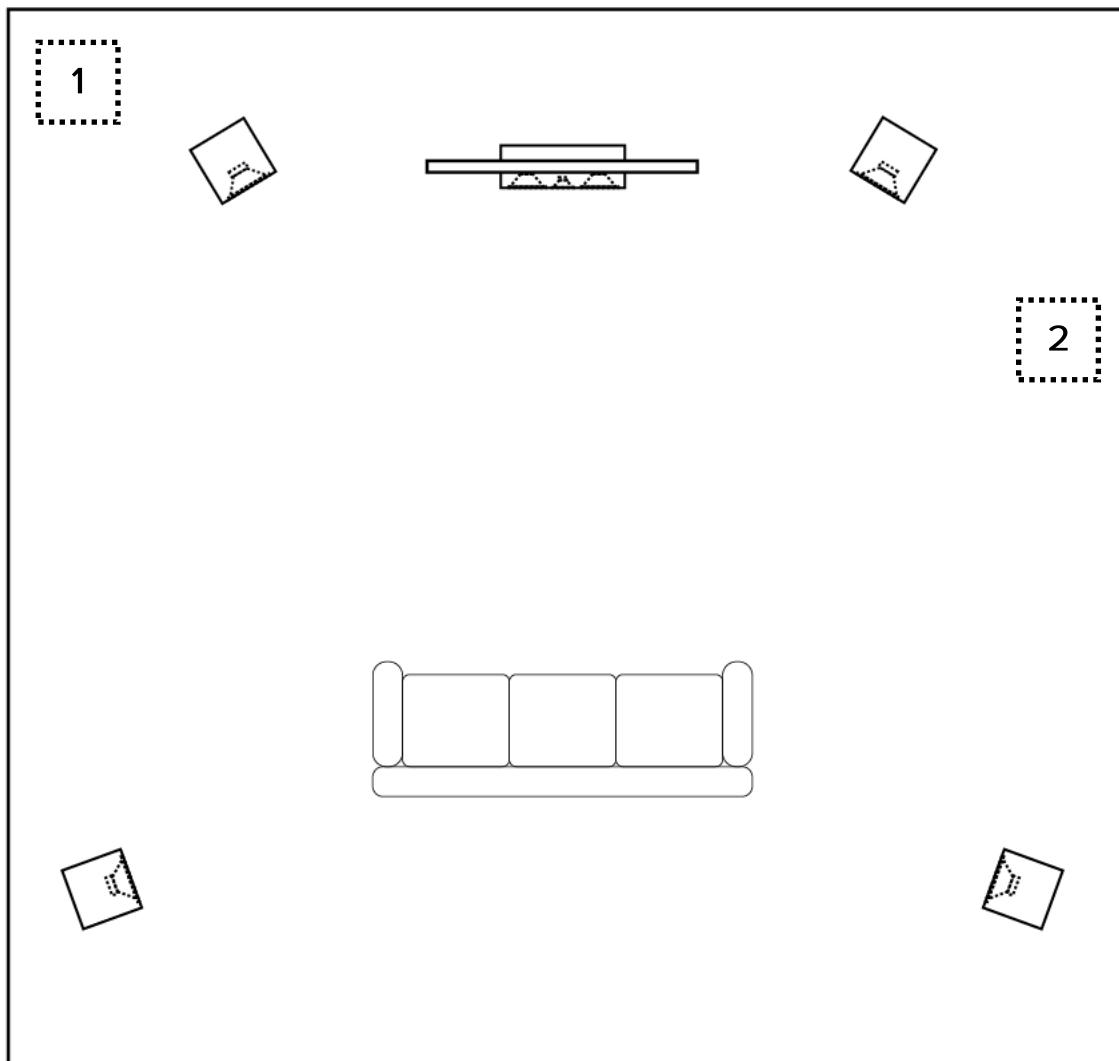


Subwoofer Placement

Finding the proper placement for your subwoofer can take some trial and error, however here are a few basic tips to get you started. In most cases the best position for the subwoofer is in the front corner (1) of the room. Placing a subwoofer in a corner excites most room modes and offers the best chance of avoiding a null area (a part of the room that experiences an acoustic reduction in bass).

If placing the subwoofer in the corners creates an abnormal amount of bass, you can try moving the subwoofer to one of the side walls (2) near the front of the room.

If possible the best option is to move the subwoofer around the room and find the location that sounds the best from your normal listening position. There are many test discs you can purchase that provide the correct test signals for helping find this optimum location.



SPECIFICATIONS

	S10
Enclosure Type	Bass Reflex
Amplifier Type	BASH Tracking
Maximum Amplifier Power	200 Watts Peak/100 Watts RMS
Frequency Response	35Hz - 150Hz
Crossover Frequency	50Hz - 150Hz
Driver	10" High Excursion Doped Paper
Cabinet	CARB2 Rated MDF
Port	Dual Flared
Passive Radiator	N/A
Cabinet Finish	Black Brushed Vinyl
Dimension (WxHxD)	13.5" x 13.5" x13.5"

ELAC Americas LLC.
North America Limited Liability Warranty
Powered Subwoofers

ELAC Americas LLC. warrants to the original purchaser that this product be free from defects and or workmanship for a period of 3 (Three) years on the cabinet and speaker driver and 1 (One) year on the amplifier from the original date of purchase. During this time period, repair or replacement of parts will be free of charge to the original owner (See below limitations). Shipping to and return from the repair center will be the responsibility of the original purchaser.

Limitations

- Warranty begins on the date of original purchase from an authorized ELAC Americas LLC dealer.
- Product is warranted only if used in home applications. Commercial use of this product is not warranted.
- Product that has been modified or altered in anyway will not be warranted.
- Product that has been abused or subjected to faulty equipment will not be warranted.
- Products with defaced or removed serial numbers will not be warranted.

If service is required

In the event that service is required, please contact ELAC America at 714-252-8843 or at service@elac.com to arrange for service or replacement. You will be responsible to provide proof of purchase (Copy or original sales receipt). Shipping to and from our repair center will be the responsibility of the original purchaser.

Warranty Outside of North America

This warranty applies to products purchased in the United States and Canada. For warranty claims outside of North America please contact the local dealer/distributor in the country of purchase.

ELAC The life of sound.

ELAC AMERICAS LLC.
11145 KNOTT AVE. SUITES E & F
CYPRESS, CA. 90630