

Frigidaire

Factory Parts Catalog

Product No.	GLTF2940FE2	GLTF2940FS2
Series	Gallery	Gallery
Color	black	white
Volts	115	115
Wiring Diagram	137112600	137112600
Owner's Guide	134849000	134849000
Energy Guide	134816400	134816400
Installation Instructions	134965700	134965700
Operating Instructions	134848800	134848800

 **Electrolux**

Electrolux Major Appliances
 North & Latin America
 P.O. BOX 212378
 AUGUSTA, GA 30917

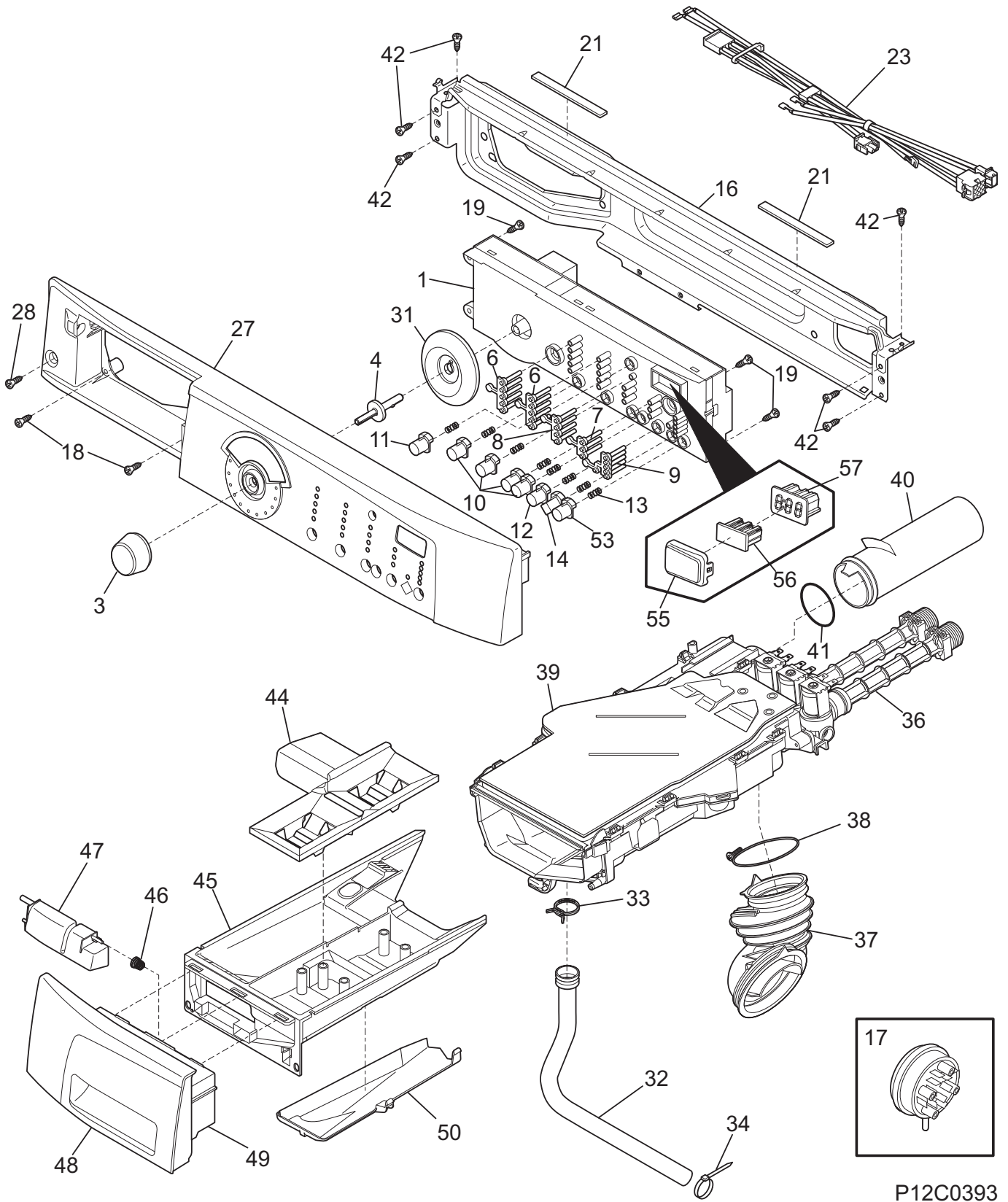
Publication No.
5995535290
 09/03/12
 (EN/SERVICE/WTC)
 361

**FRONT-LOAD
 WASHING MACHINE**

Model No.
GLTF2940F

Copyright © 2009 Electrolux Home Products, Inc.
 All rights reserved.

CONTROL PANEL

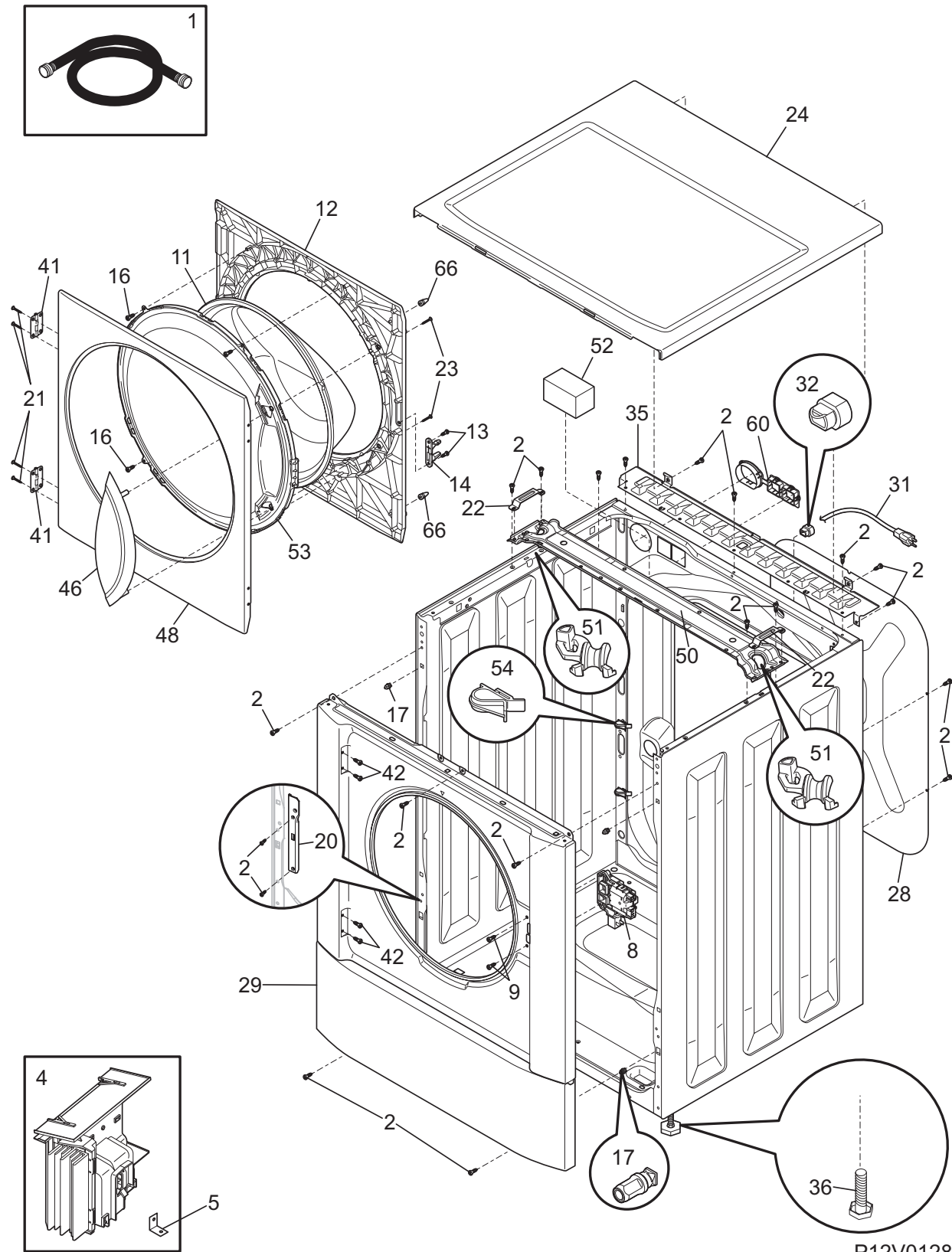


CONTROL PANEL

Model Index: **A** GLTF2940F (GLTF2940FE2)
 B GLTF2940F (GLTF2940FS2)

POS. NO	PART NO.		DESCRIPTION
1 #	137006000	A B	Control Board, pc, with housing
3	134471500	A B	Knob, program
4	134347700	A B	Pin, program knob
6	134429100	A B	Light Pipe, array, 1 row of 5
7	134429300	A B	Light Pipe, array, 3 row of 3
8	134429200	A B	Light Pipe, array, 2 row of 4
9	134429400	A B	Light Pipe, array, 4 start group
10	134447160	A -	Push Button, #1
10	134447100	- B	Push Button, #1
11	134447560	A -	Push Button, #5
11	134447500	- B	Push Button, #5
12	134447460	A -	Push Button, #4
12	134447400	- B	Push Button, #4
13	134349400	A B	Spring, push button
14	134447201	A B	Push Button, #2
16	134364800	A B	Bracket, top front
17 #	134762000	A B	Switch, pressure
18	131302800	A B	Screw, 10-16AB x 0.375
19	134402900	A B	Screw, Phillips, 6-19 x 0.650
21	134407900	A B	Dampener, vibration
23 #	134436600	A B	Wiring Harness, controls
23*#	134743400	A B	Wiring Harness, main
27	134760000	A -	Panel, control console, black
27	134442700	- B	Panel, control console
28	131205300	A B	Screw, 10-16 x 0.750
31	134761400	A -	Bezel, knob flange
31	134441300	- B	Bezel, knob flange
32	134586500	A B	Hose, disp-to-bellows
33	131306216	A B	Clamp
34	5303321209	A B	Cable Tie, 5.60 inch
36 #	134371220	A B	Valve, dispenser, NTC/short tube
36*	131311900	A B	Screw, quadrex ph, 8-18AB x 0.500
37	134372300	A B	Hose, disp-to-tub
38	134372400	A B	Clamp, tub hose
39	134446120	A B	Housing, dispenser, w/valve, cover
39*	134371300	A B	Gasket, disp-to-valve
40	134372100	A B	Tube, disp-to-overflo
41	134372200	A B	O-ring, overflow tube
42	131168200	A B	Screw, pan head, 8-18B x 0.31
44	134370200	A B	Cover, dispenser
45	134370000	A B	Drawer, dispenser
46	134349500	A B	Spring, door latch
47	134386560	A -	Latch, dispenser, black, lock
47	134386500	- B	Latch, dispenser, slider lock
48	134766300	A -	Handle, dispenser, black, front
48	134465800	- B	Handle, dispenser, front
49	134386260	A -	Frame, drawer handle, black
49	134386200	- B	Frame, drawer handle
50	134370100	A B	Conveyor, dispenser, lower
53	134447301	A B	Push Button, #3
55	134428900	A B	Lens, digital display
56	134503400	A B	Light Pipe, digital display
57 #	134503300	A B	Display, digital

CABINET/TOP



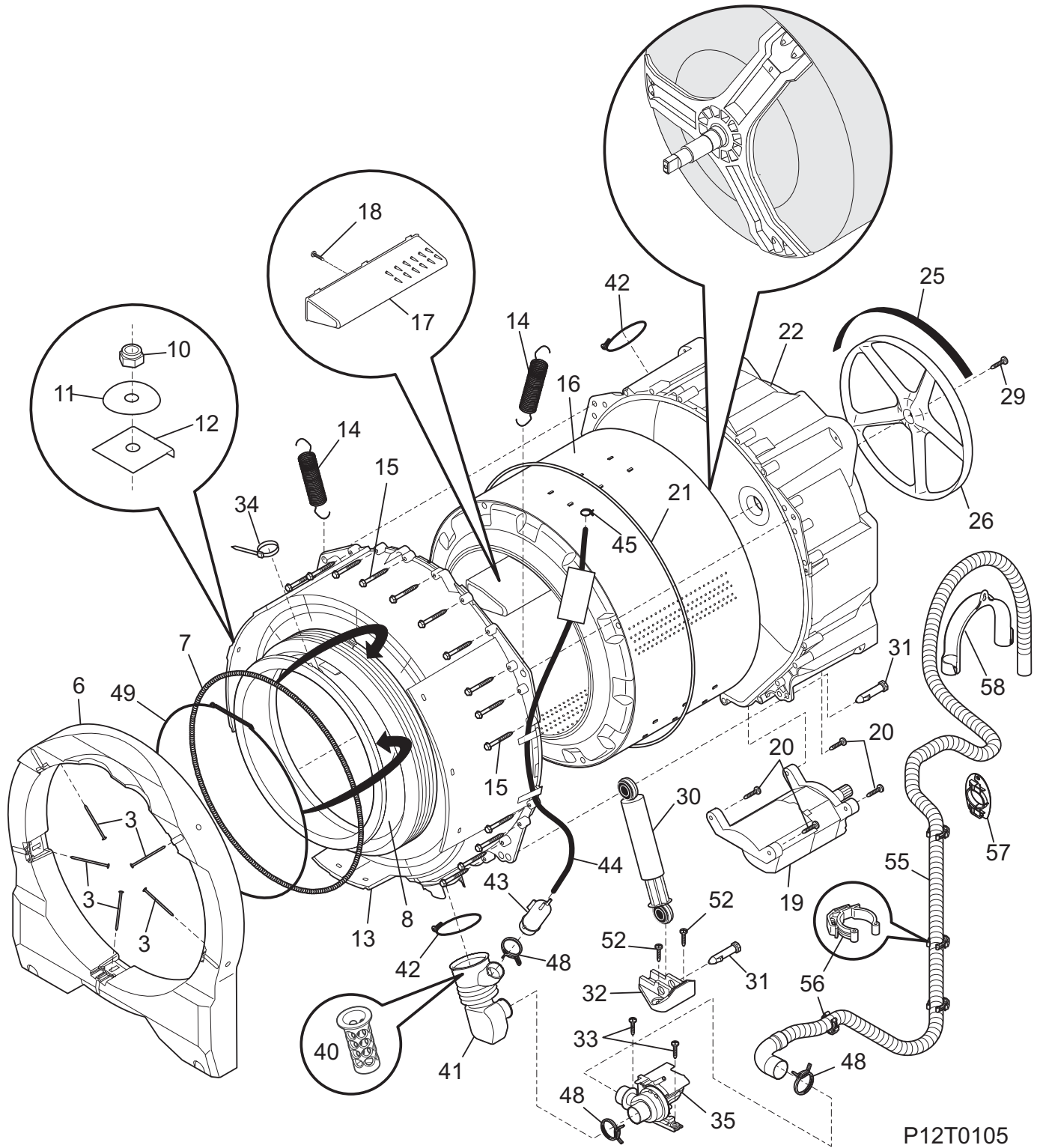
P12V0128

CABINET/TOP

Model Index: A GLTF2940F (GLTF2940FE2)
B GLTF2940F (GLTF2940FS2)

POS. NO	PART NO.		DESCRIPTION
1	131454100	A B	Hose, water inlet, 4 ft., hose & washer
2	131168200	A B	Screw, pan head, 8-18B x 0.31
4 #	134409904	A B	Control Board, motor
4* #	134547600	A B	Wiring Harness, motor control
5	134522900	A B	Bracket, angle, motor control
5*	134178901	A B	Screw, 8-18AB x 0.455
8 #	131763245	A B	Door Lock/Switch Assy
8* #	134606800	A B	Wiring Harness, door switch
9	131303300	A B	Screw, pan head, 10-16AB x 0.500, locking
11	134366400	A B	Panel, door glass
12	134507360	A -	Panel, inner door, with bumper
12	134507300	- B	Panel, inner door, with bumper
13	131302901	A B	Screw, 10-16 x 0.750
14	131763340	A -	Striker, door/lock
14	131763310	- B	Striker, door/lock/sw
16	131205300	A B	Screw, 10-16 x 0.750
17	134638700	A B	Clip, assembly
20	134434901	A B	Bracket, LS panel, reinforcement
20*	134434900	A B	Bracket, RS panel, reinforcement
21	134424700	A B	Screw, comb flat head, 8-18AB x 0.75
22	134648500	A B	Bracket-spring, retainer
23	134522100	A B	Screw, #12 flat head, 10-14P, quad drive
24	134365060	A -	Panel, work top, black
24	134365000	- B	Panel, work top, white
28	134364300	A B	Panel, service access, rear
29	137021560	A -	Panel, cabinet front, black
29	137021510	- B	Panel, cabinet front, white
29*	137021600	A B	Bracket, mounting, left, front panel
29*	137021610	A B	Bracket, mounting, right, front panel
31 #	134501000	A B	Power Cord, electric svce
32	5303209428	A B	Bushing, power cord
35	134365100	A B	Bracket, top support, rear
36	134548800	A B	Leveling Leg, screw, plastic
41	134412460	A -	Hinge, door, black
41	134412400	- B	Hinge, door
42	134156200	A B	Screw, flat head, 8-18AB x 0.44, quad drive
46	134472202	A B	Handle, door
48	134913160	A -	Panel, outer door, black
48	134913103	- B	Panel, outer door, white
50	134645600	A B	Bracket, tub suspension
51	134655800	A B	Protector, tub suspension, spring hook, (2)
52	131931202	A B	Dampener, vibration, foam
53	134507403	A B	Adapter, door glass ring
54	134364900	A B	Fastener, wire harn clip
60	134372000	A B	Grommet, dispenser, back panel
66	134366560	A -	Bumper, door, black
66	134366500	- B	Bumper, door
*	134591500	A B	Plug Assy, shipping holes, back
*	134876500	A B	Clip, hose, drain, rear-panel
*	134889700	A B	Clip, hose, drain, rear-panel

MOTOR/TUB



MOTOR/TUB

Model Index: A GLTF2940F (GLTF2940FE2)
B GLTF2940F (GLTF2940FS2)

POS. NO	PART NO.		DESCRIPTION
3	131793303	A B	Bolt, carriage, 1/4-20 x 2.60
6	134362200	A B	Counterweight, front, one piece
7	134365300	A B	Spring, bellows clamp, retainer
8 #	134740900	A B	Bellows, boot, no light hole
10	131304700	A B	Nut, hex, 1/4-20 UNC-2B, (2)
11	131276900	A B	Washer, Bellville, spring steel
12	134430600	A B	Plate, counterweight
13	134362000	A B	Shell, tub, front
14 #	137099300	A B	Spring Assy, suspension
15	131303900	A B	Screw, hex washer head, 1/4-10A x 2.165
16	137105900	A B	Drum Assy, spin basket
17	134509600	A B	Vane Kit, drum
18	131302800	A B	Screw, 10-16AB x 0.375
19 #	134362500	A B	Motor, 120 V
20	131303500	A B	Screw, 12-14AB x 1.50, motor mtg.
21	134361900	A B	O-ring, tub
22	134509510	A B	Shell, outer tub, rear, w/bearing, seal
25 #	134051003	A B	Belt, drive, 6-rib
26 #	134362600	A B	Pulley, drum drive, large, rear
29	134408400	A B	Screw, 10.9 class, M10 x 25 mm
30	134560410	A B	Shock Absorber, assembly
31	131268300	A B	Pin, shock mtg.
32	134363200	A B	Bracket, shock mtg.
33	134160900	A B	Screw, washer hd, 10-16AB X 0.75
34	5303321209	A B	Cable Tie, 5.60 inch
35	137108100	A B	Pump, drain
40	134885800	A B	Filter, pump
41	134455900	A B	Hose, coin trap, tub-to-pump
42	134737300	A B	Clamp, hose
43	134369000	A B	Chamber, air
44	134369900	A B	Hose, air pressure
45	131306202	A B	Clamp, hose
48	131306234	A B	Clamp, hose, wire
49	134527100	A B	Clamp, bellows, spring held
52	131202300	A B	Screw, 10-16AB x 0.625
55 #	134889600	A B	Hose, drain-one piece
56	134994200	A B	Fastener, hose clip, (3)
57	134641100	A B	Bracket, drain hose mtg, rear
58	134440700	A B	Hanger, drain hose
*	134816400	A B	Energy Guide

WIRING DIAGRAM

WARNING TO REDUCE THE RISK OF ELECTRICAL SHOCK DISCONNECT THIS APPLIANCE FROM THE POWER SUPPLY BEFORE ATTEMPTING ANY USER MAINTENANCE. TURNING THE CONTROLS TO THE OFF POSITION DOES NOT DISCONNECT THIS APPLIANCE FROM THE POWER SUPPLY.

AVERTISSEMENT POUR RÉDUIRE LE RISQUE DE CHOC ÉLECTRIQUE, DÉBRANCHER CET APPAREIL DE L'ALIMENTATION AVANT DE PROCÉDER À L'ENTRETIEN. EN TOURNANT LES COMMANDES À LA POSITION ARRÊT, L'ON NE COUPE PAS L'ALIMENTATION ÉLECTRIQUE DE L'APPAREIL.

ADVERTENCIA PARA REDUCIR EL RIESGO DE CHOQUE ELÉCTRICO, DESENCHUFE ESTE APARATO DE LA ALIMENTACIÓN ELÉCTRICA ANTES DE EFECTUAR EL MANTENIMIENTO. AL GIRAR LOS CONTROLES A LA POSICIÓN OFF (APAGADO) NO SE CORTA LA ALIMENTACIÓN ELÉCTRICA AL ARTEFACTO.

COMPONENT RESISTANCE TABLE

ELECTRICAL COMPONENT	RESISTANCE Ω @ 77°F	
DOOR LOCK SOLENOID	1325 ±10%	
PUMP MOTOR	12.0 ±7%	
DISPENSER VALVE SOLENOIDS	800 ±7%	
MOTOR	M1 TO M2	5.3 ±7%
	M2 TO M3	5.3 ±7%
	M1 TO M3	5.3 ±7%
	M5 TO M4	118 ±7%

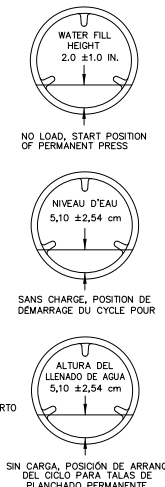
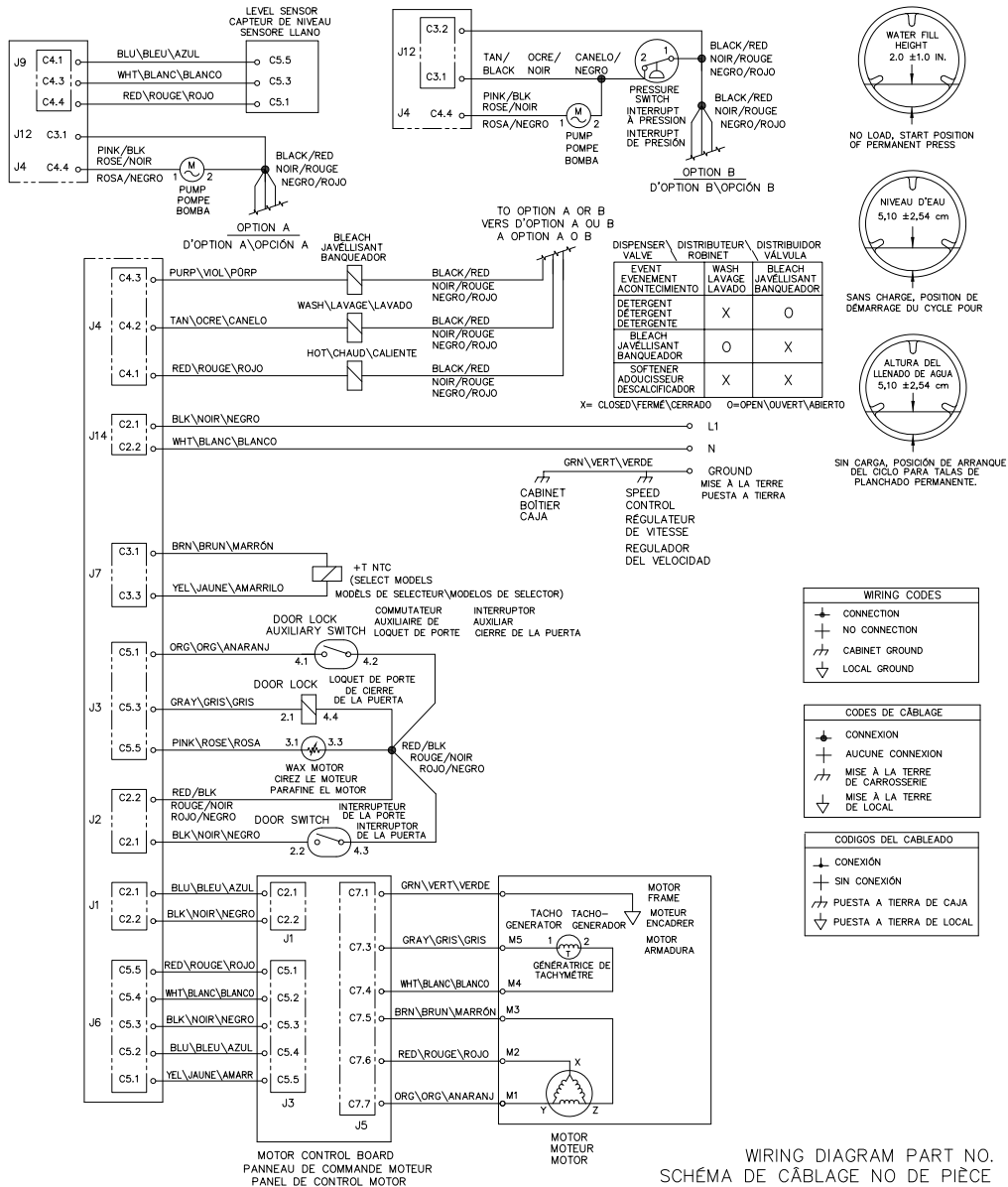
TABLEAU DE RÉSISTANCE DES COMPOSANTS

COMPOSANT ÉLECTRIQUE	RÉSISTANCE Ω @ 25°C	
SOLENOÏDE DU LOQUET DE PORTE	1325 ±10%	
MOTEUR DE POMPE	12.0 ±7%	
SOLENOÏDE DU ROBINET DISTRIBUTEUR	800 ±7%	
MOTEUR	M1 VERS M2	5.3 ±7%
	M2 VERS M3	5.3 ±7%
	M1 VERS M3	5.3 ±7%
	M5 VERS M4	118 ±7%

TABLA DE RESISTENCIA DE LOS COMPONENTES

COMPONENTE ELÉCTRICO	RESISTENCIA Ω @ 25°C	
SOLENOIDE DE CIERRE DE LA PUERTA	1325 ±10%	
BOMBA DE MOTOR	12.0 ±7%	
SOLENOIDE DE LA VALVULA DEL DISTRIBUIDOR	800 ±7%	
MOTOR	M1 A M2	5.3 ±7%
	M2 A M3	5.3 ±7%
	M1 A M3	5.3 ±7%
	M5 A M4	118 ±7%

SELECT MODELS\MODÈLS DE SELECTEUR\MODELOS DE SELECTOR



DISPENSER VALVE	DISTRIBUIDOR ROBINET	DISTRIBUIDOR VALVULA
EVENT ACONTECIMIENTO	WASH LAVAGE	BLEACH JAVELLISANT BANQUEADOR
DETERGENT DETERGENTE	X	O
BLEACH JAVELLISANT BANQUEADOR	O	X
SOFTENER ADOUSSISSEUR DESCALCIFICADOR	X	X

X= CLOSED/FERMÉ/CERRADO O=OPEN/OUVERT/ABIERTO

- WIRING CODES**
- ⬇ CONNECTION
 - + NO CONNECTION
 - ⌋ CABINET GROUND
 - ⌋ LOCAL GROUND
- CODES DE CÂBLAGE**
- ⬇ CONNEXION
 - + AUCUNE CONNEXION
 - ⌋ MISE À LA TERRE DE CARROSSERIE
 - ⌋ MISE À LA TERRE DE LOCAL
- CODIGOS DEL CABLEADO**
- ⬇ CONEXIÓN
 - + SIN CONEXIÓN
 - ⌋ PUESTA A TIERRA DE CAJA
 - ⌋ PUESTA A TIERRA DE LOCAL

WIRING DIAGRAM PART NO. SCHEMA DE CÂBLAGE NO DE PIÈCE DIAGRAMA DE CONEXIONES NO DE PIEZA 137112600 A