

Gas Freestanding Ranges

EW30GF65G S, EW30GF65G W, EW30GF65G B

Featuring Wave-Touch™ Electronic Controls



Min-2-Max™ Burner

Designed with a dual-flame sealed burner, this cooktop offers the widest range of BTU performance in the industry for the utmost versatility – from a roaring 18,000-BTU boil to a gentle 450-BTU simmer.



Sure-2-Fit™ Convection Oven with Hidden Bake Burner

Adjustable Luxury-Glide™ oven racks are so smooth and extend effortlessly. Luxury-Design™ Lighting ramp-up designer halogen lighting is as beautiful as it is functional. Exclusive Luxury-Hold™ oven door stays put at whatever angle you place it.



Baking Options

Features 6 cooking modes and 10 cooking options including our exclusive Perfect Turkey™ button for large holiday meals. Perfect Convect3™ Third Element European Convection System features a variable 2-speed fan for more even cooking.



Perfect Pair™ Oven

Our ranges feature a large main oven and a second oven for the utmost cooking capacity. Use both simultaneously to cook two different items at two different temperatures.

30" GAS FREESTANDING RANGES

| | |
|----------------------------------|-----|
| Sabbath Mode (Star-K® Certified) | Yes |
|----------------------------------|-----|

Control Panel Features

| | |
|-------------------------------------|-----|
| Wave-Touch™ Electronic Oven Control | Yes |
| Professional-Grade Burner Controls | Yes |
| Glass Front Display | Yes |
| Electronic Clock & Timer | Yes |
| Temperature Display | Yes |
| Automatic Oven (Delay, Cook & Off) | Yes |

Cooktop Features

| | |
|--------------------------------------------------------|-----|
| Min-2-Max™ Dual-Flame Sealed Burner – 18,000 - 450 BTU | 1 |
| Sealed Power Burner – 14,000 BTU | 1 |
| Sealed Precision Burner – 9,500 BTU | 2 |
| Sealed Precision Burner – 5,000 - 850 BTU | 1 |
| Linear Flow Burner Valves | Yes |
| Seamless Cooktop | Yes |
| Continuous Grates with Deep-Well Top | 3 |
| Electric Pilotless Ignition | Yes |

Oven Features

| | |
|----------------------------------------------------------------------------------------------------------------------------------------------------------------------------------|-------------|
| Capacity | 5.1 Cu. Ft. |
| Hidden Bake Burner | Yes |
| Bake Burner – 18,000 BTU | Yes |
| Broil Burner – 13,500 BTU | Yes |
| Convection Burner – 200 Watts | Yes |
| Cobalt Blue Interior | Yes |
| Self-Clean Options with Door Lock | 3 |
| Perfect Convect3™ with Variable 2-Speed Fan | Yes |
| Cooking Modes – Bake, Broil, Convection Bake, Convection Roast, Keep Warm, Slow Cook | 6 |
| Cooking Options – Perfect Turkey™, Defrost, Dehydrate, Bread Proof, My Favorites, Multi-Stage Cooking, Temperature Probe, Rapid Preheat, Delay Bake, Convection Convert | 10 |
| Luxury-Design™ Lighting with Dual 40W Halogen Bulbs | Yes |
| Luxury-Glide™ Racks | 2 |
| Conventional Racks | 1 |
| Convection Roasting Rack | Yes |

Additional Features

| | |
|------------------------------------------------|-----|
| Signature Soft-Arc Oven Door and Handle Design | Yes |
| Luxury-Hold™ Oven Door | Yes |
| Extra-Large Glass Window | Yes |
| Perfect Pair™ Lower Oven | Yes |
| Fully Extendable Drawer Glides | Yes |
| Adjustable Leveling Legs | Yes |

Accessories

| | |
|----------------------------------|----------|
| Porcelain Broiler Pan and Insert | Included |
| Grill/Griddle | Included |
| Wok Ring – 318254307 | Optional |
| Simmer Plate – 318254206 | Optional |

Specifications

| | |
|--------------------------------------------------|-------------------|
| Oven Cavity Dimensions – | |
| Height | 18-5/8" |
| Width | 24-5/16" |
| Depth | 19-1/2" |
| Overall Exterior Dimensions – | |
| Height | 47-1/2" |
| Width | 29-7/8" |
| Depth (to Center of Arc) (with 90° Door Open) | 26-27/32" 47" |
| Gas/Power Supply Connection Location | Right Bottom Rear |
| Voltage Rating | 120V/60Hz/15A |
| Connected Load (kW Rating) @ 120 Volts‡ | 1.8 |
| Product Weight | 260 Lbs. |
| Shipping Weight (Approx.) | 300 Lbs. |

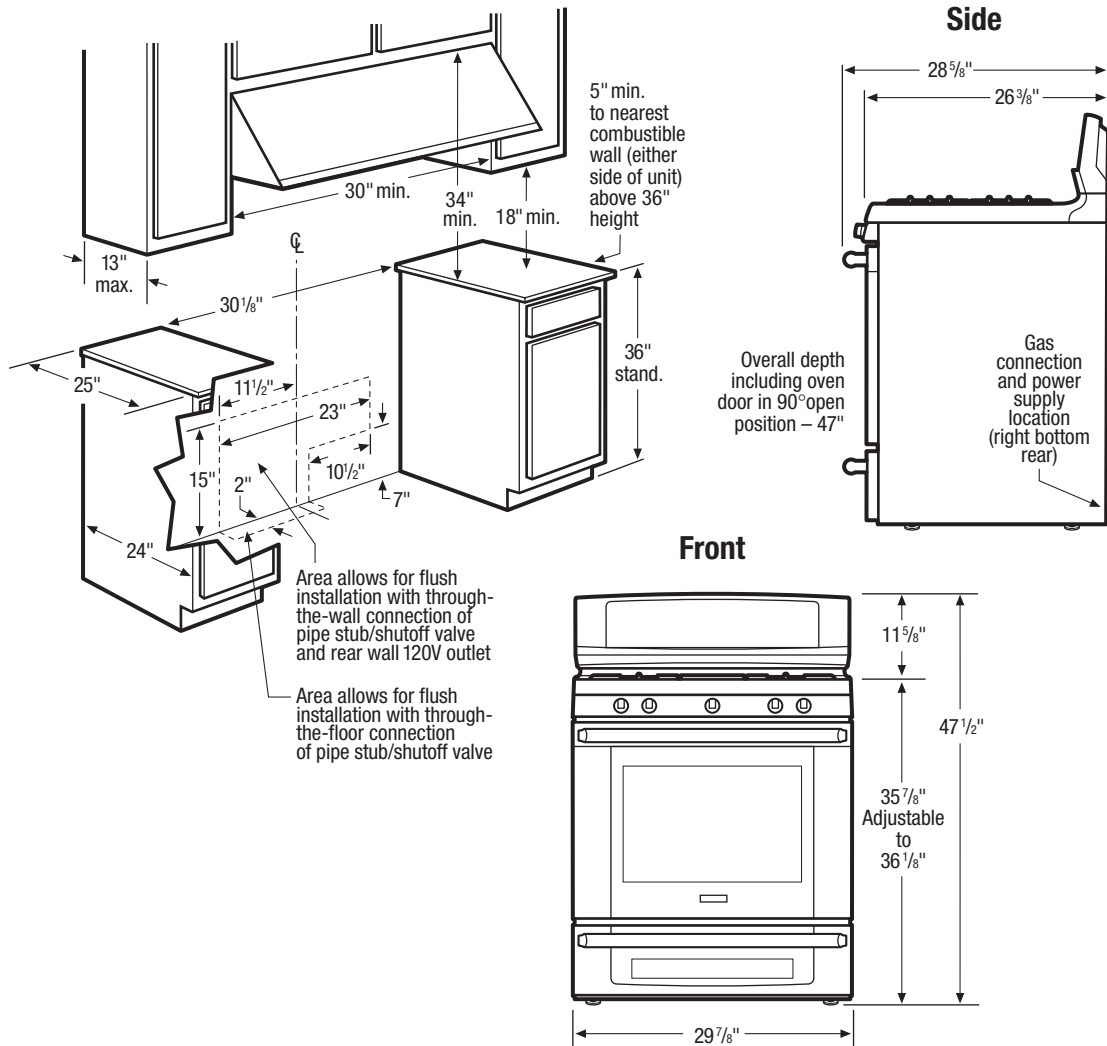
‡ For use on adequately wired 120V, dedicated circuit having 2-wire service with a separate ground wire. Appliance must be grounded for safe operation.

NOTE: Always consult local and/or national electric and gas codes. Refer to Product Installation Guide for detailed installation instructions on the web at www.electroluxappliances.com. Specifications subject to change.

Gas Freestanding Ranges

EW30GF65G S, EW30GF65G W, EW30GF65G B

Electrolux



30" Gas Freestanding Range Specifications

- Product Weight – 260 Lbs.
- Voltage Rating – 120V/60Hz/15 Amps
- Connected Load (kW Rating) @ 120 Volts = 1.8kW
(For use on adequately wired 120V, dedicated circuit having 2-wire service with a separate ground wire. Appliance must be grounded for safe operation.)
- Amps @ 120 Volts = 15 Amps
- Always consult local and/or national electric and gas codes.
- Range ships with 3/4" factory regulator.
- Range is NOT Lp convertible — for Lp-only models see EW3LGF65GS, EW3LGF65GW and EW3LGF65GB.
- Overhead cabinetry should not exceed a 13" maximum depth.
- Allow 30" minimum clearance between top of rangetop and bottom of unprotected wood or metal overhead cabinetry.
- Absolute minimum horizontal distance between overhead cabinets installed to either side of appliance must be no less than maximum width of appliance.

- Allow 24" minimum clearance when bottom of wood or metal overhead cabinet is protected by not less than 1/8" flame-retardant millboard covered with not less than No. 28 MGS sheet steel, 0.015" stainless steel, 0.024" aluminum or 0.020" copper.
- Allow 5" minimum clearance from edge of rangetop to nearest combustible wall on either side of unit.
- To reduce risk of fire when using overhead cabinetry, install range hood that projects horizontally a recommended minimum of 5" beyond bottom of cabinets.

Note: For planning purposes only. Refer to Product Installation Guide on the web at electroluxappliances.com for detailed instructions.

Optional Accessories

- Wok Ring – (318254307).
- Simmer Plate – (318254206).

The Electrolux Group

USA • 250 Bobby Jones Expressway • Augusta, GA 30907 • 1-877-4electrolux (1-877-435-3287) • electroluxappliances.com
CANADA • 5855 Terry Fox Way • Mississauga, ON L5V 3E4 • 1-800-265-8352 • electroluxappliances.ca

EW30GF65G 01/08

© 2008 Electrolux Major Appliances, NA



High standards of quality at Electrolux Major Appliances mean we are constantly working to improve our products. We reserve the right to change specifications or discontinue models without notice.

Printed in the U.S.A.