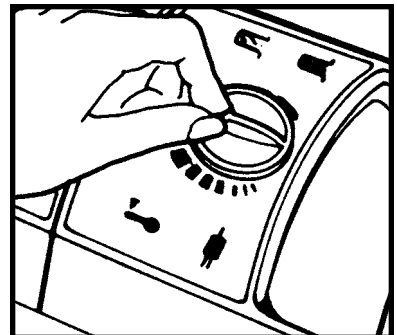
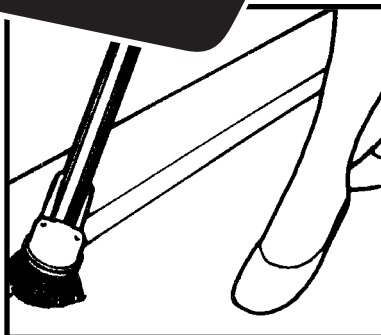
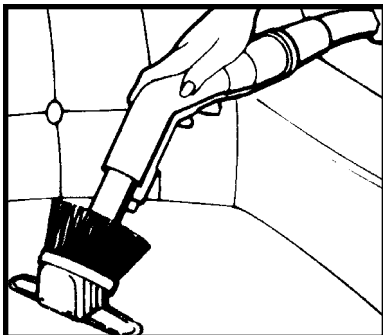


# 2100

by *Electrolux*<sup>®</sup>

## Canister Vacuum Cleaner



**BEFORE OPERATING YOUR VACUUM, PLEASE READ THESE INSTRUCTIONS CAREFULLY.**

# Important Safety Instructions

When using an electrical appliance, basic precautions should always be followed, including the following:

## **READ ALL INSTRUCTIONS BEFORE USING THIS VACUUM CLEANER**

### **For Household Use**

## **WARNING**

*To reduce the risk of fire, electrical shock, or injury:*

- **Do not leave appliance when plugged in.** Unplug from outlet when not in use and before servicing.
- **Do not use outdoors or on wet surfaces.**
- **Do not allow to be used as a toy.** Close attention is necessary when used by or near children.
- **Use only as described in this manual.** Use only manufacturer's recommended attachments.
- **Do not use with damaged cord or plug.** If appliance is not working as it should, has been dropped, damaged, left outdoors, or dropped into water, return it to a service center.
- **Do not pull or carry by cord, use cord as a handle, close door on cord, or pull cord around sharp edges or corners.** Do not run appliance over cord. Keep cord away from heated surfaces.
- **Do not unplug by pulling on cord.** To unplug, grasp the plug, not the cord.
- **Do not handle plug or appliance with wet hands.**
- **Do not put any object into openings.** Do not use with any opening blocked; keep free of dust, lint, hair, or other materials that may reduce airflow.
- **Keep hair, loose clothing, fingers, and all parts of body away from openings and moving parts.**
- **Do not pick up anything that is burning or smoking, such as cigarettes, matches, or hot ashes.**
- **Do not use without having dustbag and/or filter in place.**
- **Turn off all controls before unplugging.**
- **Use extra care when cleaning on stairs.**
- **Do not use to pick up flammable or combustible liquids such as gasoline.** Do not use in areas where such liquids may be present.
- **Do not use if any electrical wire is damaged, cut, or punctured.** Avoid picking up sharp objects.
- **Turn off appliance before connecting or disconnecting hose or power attachments.**
- **Hold plug when rewinding onto cord reel.** Do not allow plug to whip when rewinding.
- **Unplug before connecting non-electrical mechanical accessories.**
- **This appliance has a polarized plug (one blade is wider than the other).** This plug will fit in a polarized outlet only one way. If the plug does not fit fully in the outlet, reverse the plug. If it still does not fit, contact a qualified electrician to install the proper outlet. Do not change the plug in any way. Do not use adapters.

## **Save These Instructions**

### **Fill in and Save**

Stand your new 2100 cleaner upright and locate the serial number on the bottom side near the front wheel. Write it here and retain it for future reference.

Serial No. \_\_\_\_\_ Model No. \_\_\_\_\_

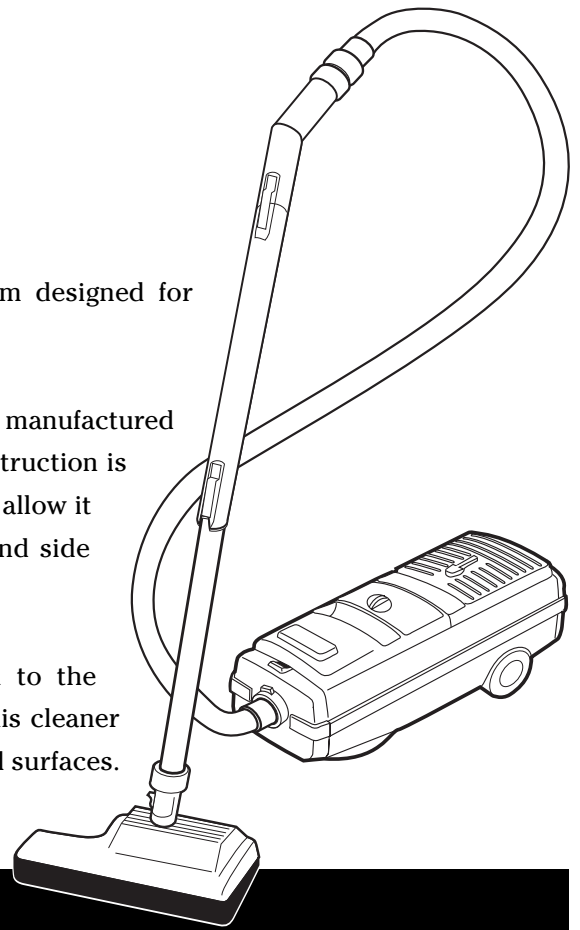
Date of Purchase \_\_\_\_\_

# Introducing the 2100 by Electrolux® Vacuum Cleaner

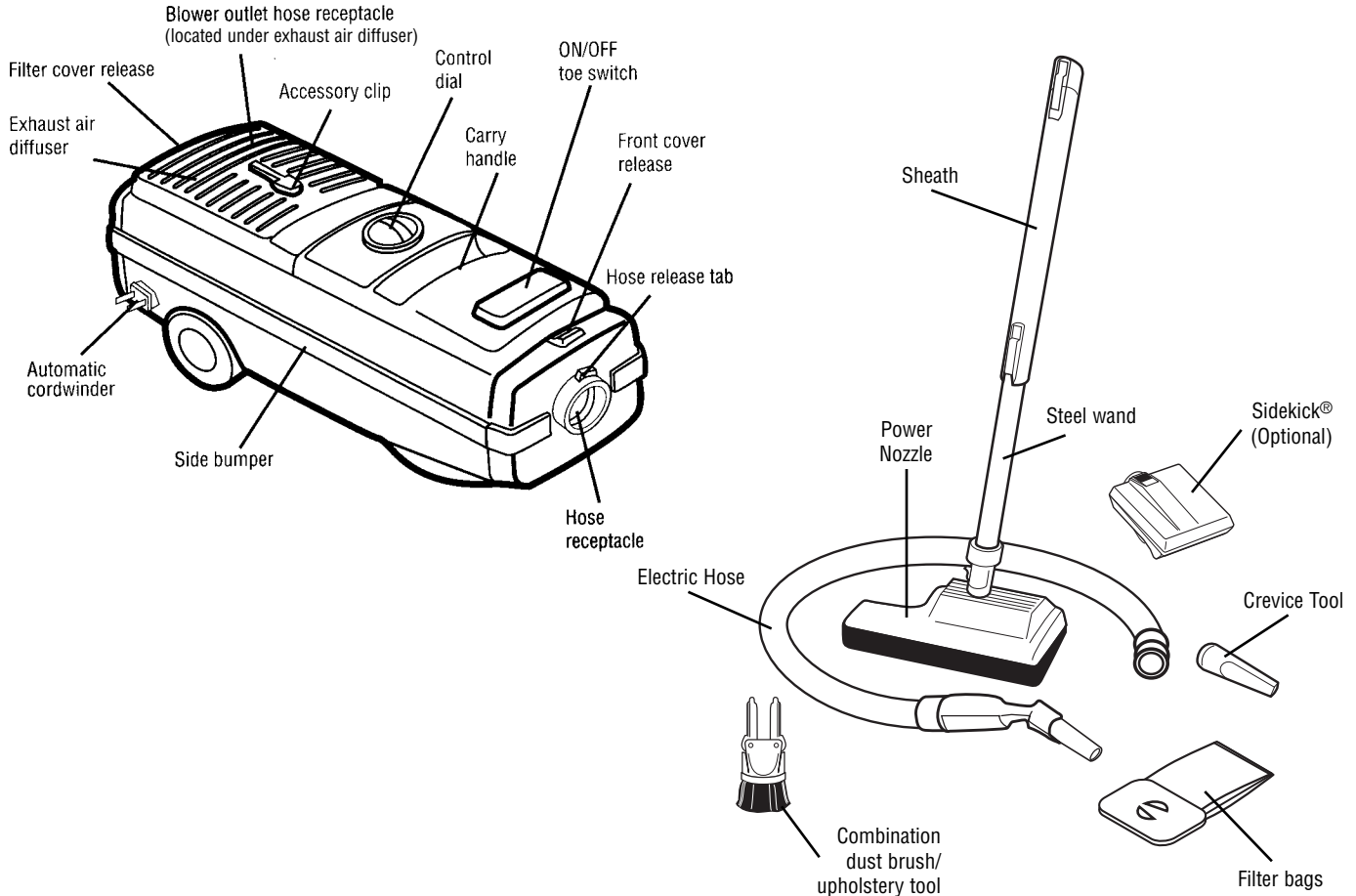
The 2100 vacuum cleaner is a durable and versatile cleaning system designed for convenience, ease of operation, and consumer safety.

The 2100 is equipped with specially designed fans and a powerful motor manufactured to give the highest level of cleaning power. Its lightweight, sturdy construction is designed to give years of quiet, trouble-free service. Wide-track wheels allow it to glide smoothly over the deepest carpets. Vinyl wrap-around end and side bumpers protect furniture from damage.

A control dial allows selection of the type of cleaning best suited to the environment being cleaned. Together with a variety of attachments, this cleaner provides the versatility needed to efficiently clean all types of floors and surfaces.

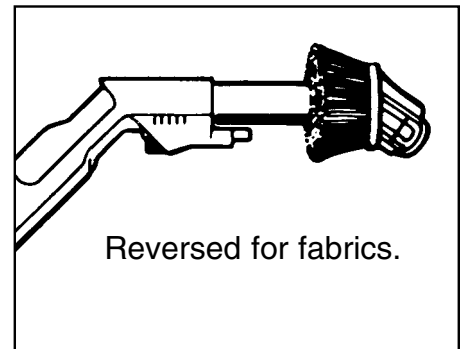
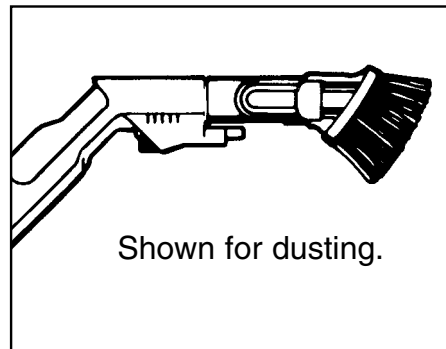
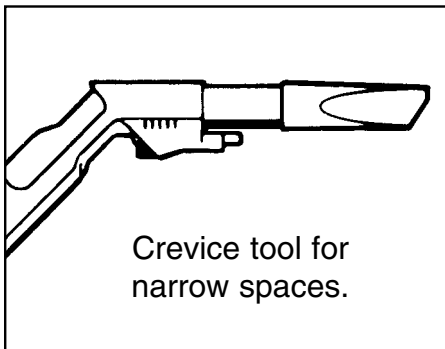
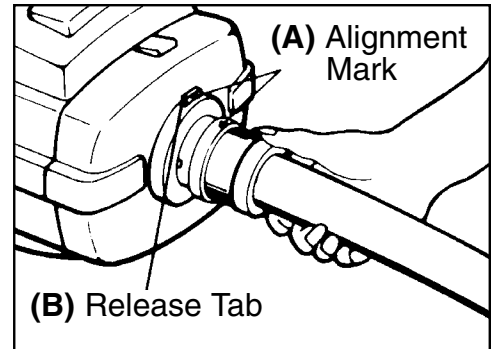


## Features



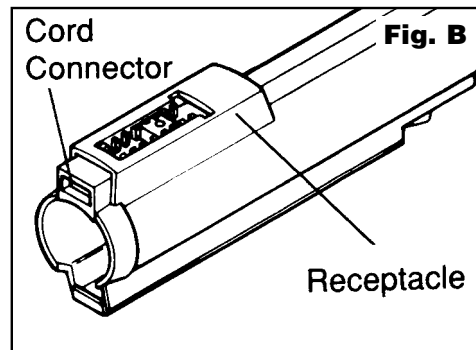
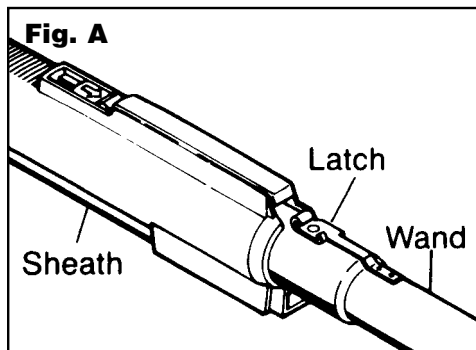
# Wand and Hose Assembly

To install the power hose, align arrow (A) on hose with those on the suction end of cleaner. Insert hose until it clicks. To remove, press release tab (B) and pull hose out. Slip small accessories on end of wand or directly on hose handle and twist slightly to secure.

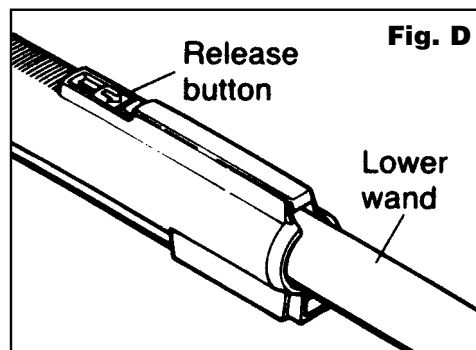
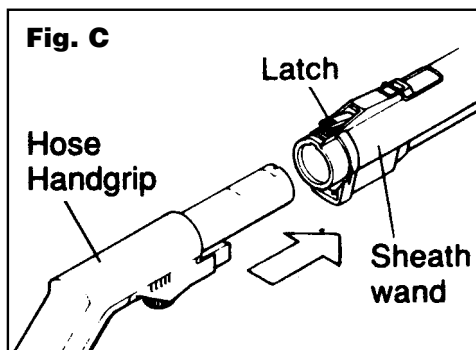


**CAUTION: Turn cleaner OFF before connecting or disconnecting wands and power nozzle.**

To assemble wand, insert the lower wand, large end first, into sheath until latches engage (Fig. A). NOTE: Before assembling wand, check that the electric cord connector at end of sheath is properly positioned in its receptacle (Fig. B).



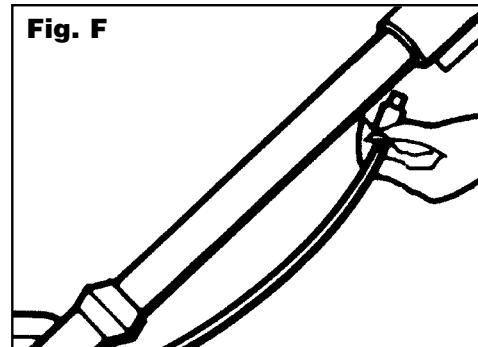
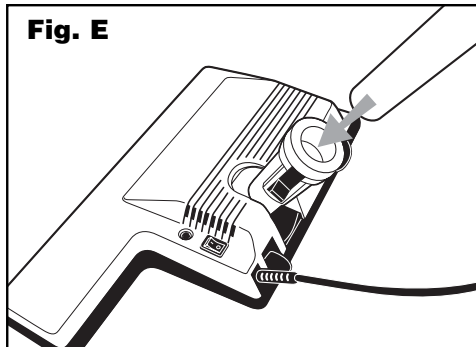
To connect hose handgrip to the sheath wand, align electrical connections on underside of sheath wand and hose handgrip, and insert until latch clicks (Fig. C). To remove, press latch and pull wand out (Fig. D).



# Wand and Hose Assembly

To attach power nozzle, slide end of wand into elbow on nozzle (**Fig. E**). Plug cord on power nozzle into connector in sheath (**Fig. F**). To disassemble unplug cord, press release button and pull wand out.

**CAUTION: Turn appliance off before connecting or disconnecting power nozzle.**

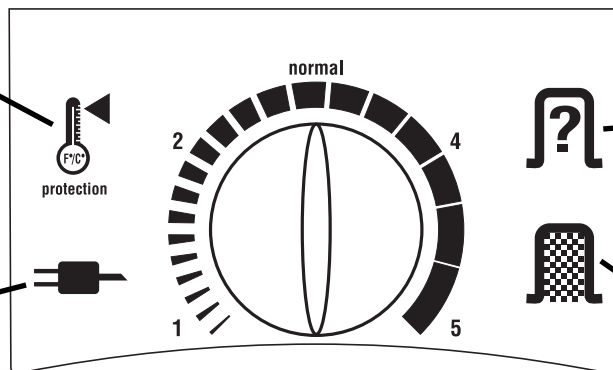


# Information Panel

For normal running only the Green Power Symbol Is Illuminated.

**Overheating Protection -**  
See below.

**Power -** When not illuminated, check power source.



**Bag Check -** Should you attempt to operate cleaner without a filter bag, the unit will not start, and the bag check symbol will appear. Simply open the front cover and insert a new filter bag; the unit will then start.

**Bag Change -** Symbol will illuminate and cleaner will shut off. Replace filter bag, reset ON/OFF switch.

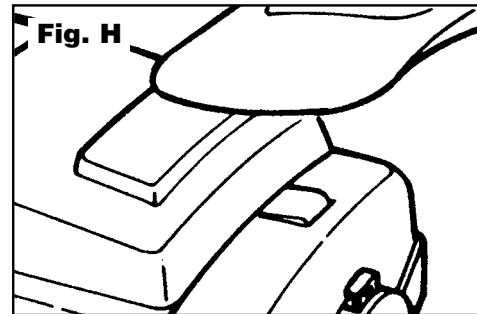
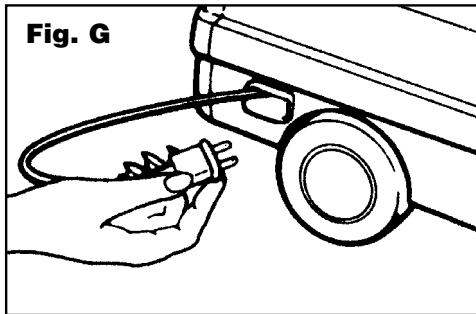
# Overheating Protection

The motor of this cleaner shuts off when the cleaner temperature rises above proper operating temperature. This prevents damage from overheating, and prolongs cleaning power.

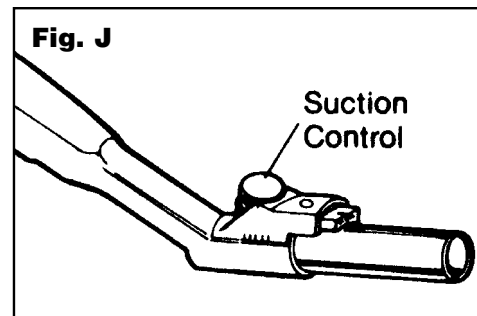
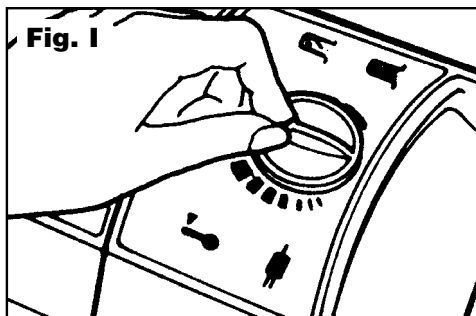
- If the cleaner shuts off, turn cleaner **OFF** and disconnect power cord.
- Check the wand, hose and power nozzle for blockage.
- With the power cord disconnected from outlet, allow the machine to cool for approximately 30 minutes before using again.
- After cleaner returns to proper temperature, plug cord in, turn cleaner on, and resume cleaning.

# Operation

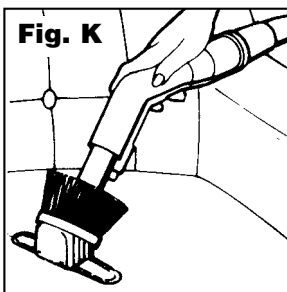
To connect the power cord, pull the cord out to the length required (**Fig. G**). A yellow band on the power cord indicates the limit of extension. Do not pull the cord beyond that point. Connect the plug into wall outlet. The green control light will illuminate to indicate that power is available. The cordwinder automatically rewinds the cord when given a light tug. Holding onto the plug, feed the power cord slowly into the unit; **do not allow the cord to whip into cordwinder**. To start the cleaner, gently press the toe switch on top of the unit (**Fig. H**). To stop the machine, press the toe switch again. **Always switch the cleaner off before disconnecting power cord.**



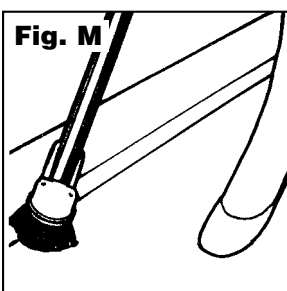
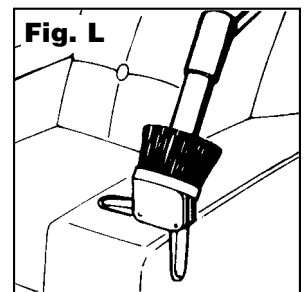
Adjust the control dial for type of cleaning required (**Fig. I**). For normal conditions the dial should be set to **NORMAL**. When vacuuming fine dust, set the dial to **1**. When vacuuming larger particles, set the dial to **5**. Open the suction control to reduce suction for gentle cleaning of delicate fabrics, lightweight rugs, lamps shades or net curtains. **The suction control should always be open when using the crevice tool (Fig. J).**



# Use of Standard Attachments

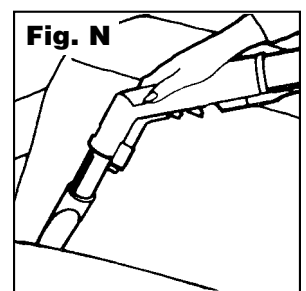


Attach the combination tool to handgrip to clean deeply into all types of upholstered furniture and fabrics (**Fig. K**). Adjust wings on nozzle to match furniture contours (**Fig. L**). The combination tool is ideal for cleaning automobile upholstery, blankets, pillows, mattresses, and clothing. For curtains and draperies, reduce the suction strength and attach the combination tool to the wand for better reach.



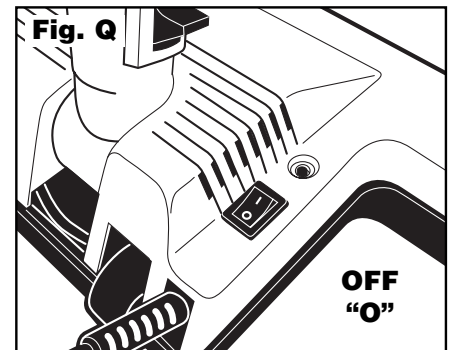
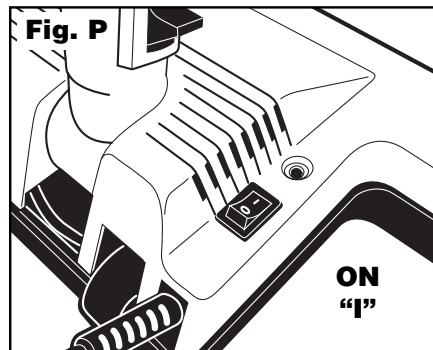
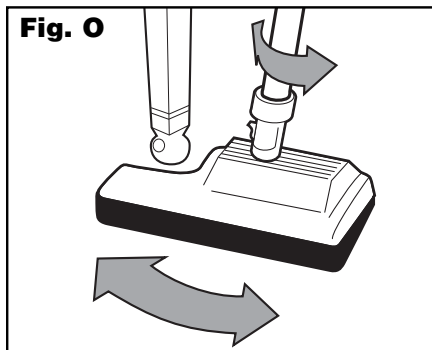
Reverse the combination tool on wand to clean baseboards without bending or stretching. With the round brush on the end of the handgrip, remove dust from delicate articles or carved furniture contours (**Fig. M**).

Use the crevice tool on the end of the handgrip to get into crevices of upholstered furniture and other hard-to-reach areas. Using the nozzle on the end of the wand, clean hot air registers without kneeling or stooping. **Remember to open the suction control knob when using the crevice tool (Fig. N).**



# Using the Power Nozzle

Use the power nozzle for every type of dry floor cleaning. It maneuvers easily around furniture and right up to walls, providing superior edge cleaning and two-sided corner cleaning (**Fig. O**).



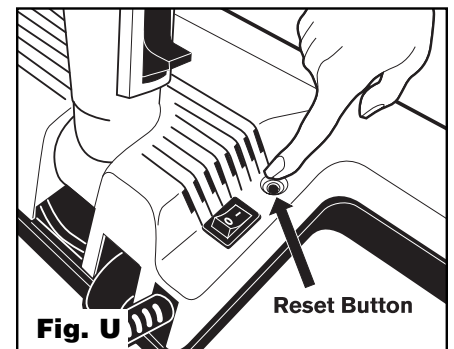
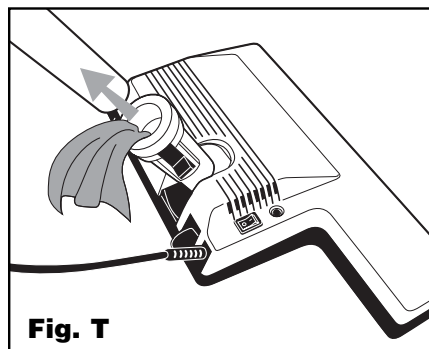
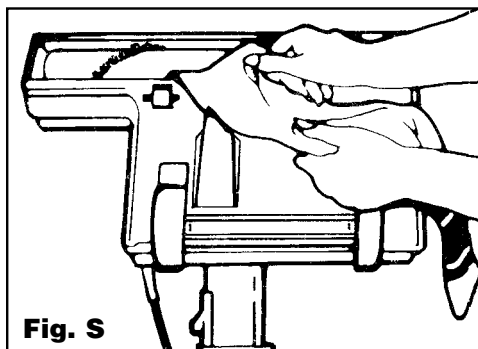
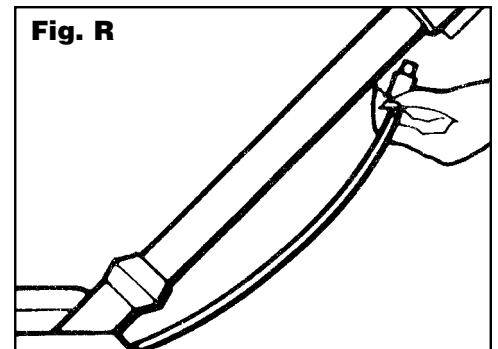
- Setting the switch to “1” engages the high speed brush to dig embedded grit from carpets and whisk up dust and dirt from hard surface floors (**Fig. P**).
- To clean delicate rugs or highly polished parquet floors set the switch to “0”. The brush disengages and only the cleaner’s suction is used (**Fig. Q**).
- If an object becomes clogged in the power nozzle it will automatically shut off. To restart power nozzle follow these instructions:

**Fig. R** Turn the cleaner off and unplug power nozzle cord.

**Fig. S** If the object is caught in the revolving brush turn the power nozzle over and gently remove the caught object from the brush.

**Fig. T** If the object is caught further in the unit detach the wand and remove the object through the elbow.

**Fig. U** Reattach the wand and power nozzle cord. Reset circuit breaker button and turn cleaner on.



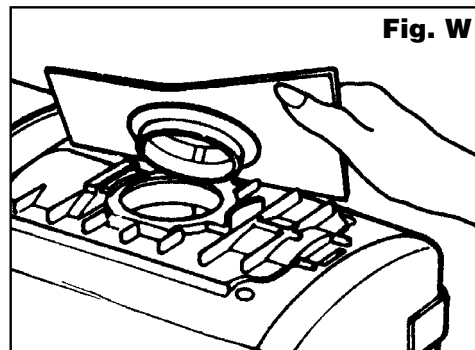
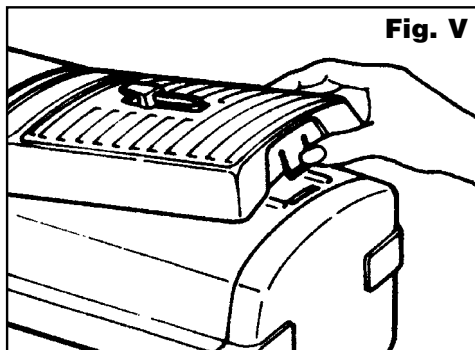
# Maintenance

Follow the steps listed below in order to ensure peak cleaning performance.

- Vacuum brushes with end of hose handle after use.
- Wipe tools occasionally with damp cloth or sponge and mild detergent.
- Change bags and/or filters regularly. The air filter should be replaced after each use of six filter bags.
- Periodically check revolving brushes for build-up of lint, hair, or other foreign material and remove as necessary.
- Store cleaner in dry area; never outdoors.
- Have cleaner checked periodically by an authorized Aerus™ service center.

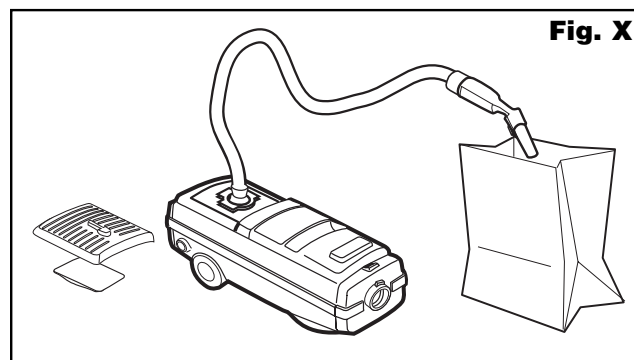
## To replace air filters

- Slide accessories off of accessory clip.
- Gently press filter cover latch and lift off the exhaust air diffuser (**Fig. V**).
- Lift air filter out and replace with a new one (**Fig. W**).
- Engage the two tabs on the front of the exhaust air diffuser in the matching openings on the canister and snap into place.



## To clear clogged hose

- Slide accessories off of accessory clip.
- Gently press filter cover release and lift off the exhaust air diffuser (**Fig. V**).
- Lift air filter out (**Fig. W**).
- Attach machine end of hose into blower outlet hose receptacle.
- Place handle end of hose into a container. Turn the cleaner on and blow object into container (**Fig. X**).
- Once hose is clear, press the release on blower outlet hose receptacle and pull hose out.
- Reinstall air filter, engage the two tabs on the exhaust air diffuser (**Fig. V**) in the matching openings on the canister and snap into place.





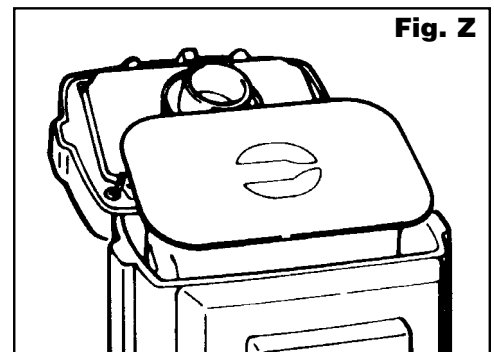
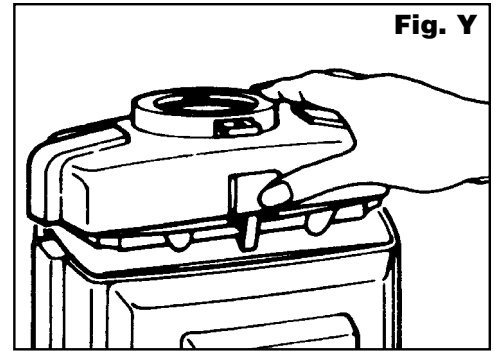
# To replace filter bags

**Protect your Warranty!** Always use genuine Aerus™ high-efficiency, four-ply, self-sealing filter bags. Used exclusively, the Aerus™ filter bag will promote longer motor life and more efficient cleaner operation. **Be sure the filter bag is in place before operating the machine.**

When it is time to change filter bags, the bag change indicator on the information panel lights and the cleaner shuts off. The cleaner controls this function automatically and is regulated by the control dial setting.

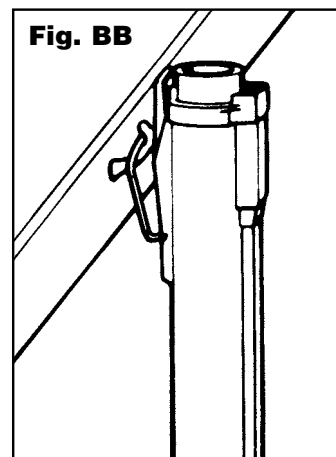
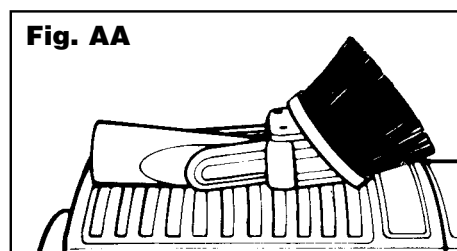
**NOTE:** The filter bag may not appear completely full when vacuuming fine dirt because this type of dirt clogs the pores of the bag more quickly than coarse dirt. However, it is still time to change the filter bag in order to restore cleaning efficiency.

- Stand the machine on its end and press the front cover release.
- As the cover is opened, the filter bag seals itself for removal (**Fig. Y**).
- Throw the old bag away - never attempt to re-use filter bags.
- Install a new filter bag and close the cover (**Fig. Z**).



# Storage

For best performance, carefully store cleaner in a dry place. Do not store outdoors. Slide crevice tool and combination dust brush/upholstery tool onto the accessory clip on canister (**Fig. AA**). Use the hook on end of the sheath to store the wand and power nozzle as a unit (**Fig. BB**).



# Using Sidekick® (optional accessory)

To further your cleaning capabilities, we offer an outstanding vacuum cleaner accessory (optional). The Sidekick® accessory is a revolutionary tool powered by its own motor that combines superior cleaning action with easy maneuverability. The Sidekick® has a trim design that allows cleaning in hard-to-reach areas like stairs, car interiors, bathrooms, upholstery, and mattresses, better and more efficiently than ever before.

The switch on the Sidekick® has two positions:

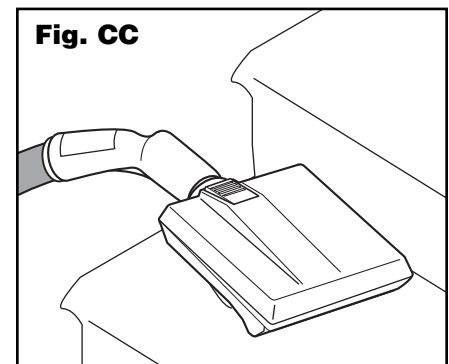
- Setting the switch to “I” turns the Sidekick® ON.
- Setting the switch to “O” turns the Sidekick® OFF.



**CAUTION:** Turn cleaner OFF before connecting or disconnecting Sidekick®.

## ASSEMBLY

- Turn cleaner OFF and unplug cord from outlet.
- Disconnect wand or power nozzle attachment from hose.
- Turn Sidekick® switch to OFF position.
- Align Sidekick® and hose connections and slip Sidekick® onto handgrip until it snaps into place (Fig. CC).
- Plug power cord into outlet, turn machine ON, turn Sidekick® ON and resume cleaning. To remove Sidekick®, turn Sidekick® OFF, turn cleaner OFF, unplug power cord, press release, and pull Sidekick® off handgrip.



## CAUGHT OBJECTS

If an object becomes clogged in the Sidekick®, **immediately** turn it OFF. To restart, follow these instructions.

- Turn cleaner OFF and unplug power cord from wall outlet.
- Remove caught object from Sidekick®.
  - If the object is caught in the revolving brush turn the Sidekick® over and gently remove the caught object from the brush.
  - If the object is caught further in the unit detach the handgrip and remove the object through the rear of the unit.
- After obstructions are cleared, plug power cord into outlet, turn cleaner ON, turn Sidekick® ON and resume cleaning.

**CAUTION:** To prevent Sidekick® motor from overheating, do not use if vacuum cleaner motor shuts OFF.

**WARNING:** Keep hands away from Sidekick® brush while in use and when turning cleaner, or Sidekick®, ON or OFF.

## MAINTENANCE

Follow the steps listed below in order to ensure peak cleaning performance.

- Vacuum brushes with end of hose handle after use.
- Wipe tools occasionally with damp cloth or sponge and mild detergent.
- Periodically check revolving brushes for build-up of lint, hair, or other foreign material and remove as necessary.
- Store Sidekick® in dry area; never outdoors.
- Have Sidekick® checked periodically by an authorized Aerus™ service facility.

# Limited 5 Year Warranty

**What is Covered by this Warranty** - Aerus warrants its products to the consumer, subject to the conditions below, against defects in workmanship or material, provided that the products are returned to an Aerus location within the following time period: **2100 by Electrolux®** including motor and fan unit; all attachments and accessories - within 5 years of date of purchase.

**How to Obtain Warranty Service** - Upon contacting and returning, at consumer's sole cost and expense, the product with proof of purchase showing purchase date to an Aerus location within the above time period, Aerus will repair or replace, without charge and within a reasonable period of time, any part which its examination shall disclose to be defective in workmanship or material and return the product to the consumer. If Aerus is unable to repair the product after a reasonable number of attempts, Aerus will provide either a refund of the purchase price or a replacement unit, at the company's option.

**What is Not Covered by this Warranty** - This product is intended for household use only. Ordinary wear and tear shall not be considered a defect in workmanship or material. This warranty does not apply to loss or damage caused by accident, fire, abuse, misuse, modification, misapplication, or commercial use, or by any repairs other than those provided by an authorized Aerus location. The warranty with respect to the motor and fan unit is null and void if it is damaged as a result of vacuuming damp or wet surfaces, or dirt leakage through a filter bag other than an Aerus filterbag.

**Exclusion of Other Warranties and Conditions** - EXCEPT AS PROVIDED HEREIN, AERUS MAKES NO REPRESENTATION OR WARRANTY OF ANY KIND. ALL OTHER WARRANTIES OF ANY KIND, EXPRESS OR IMPLIED, ARE HEREBY EXPRESSLY DISCLAIMED, INCLUDING ANY IMPLIED WARRANTY OF MERCHANTABILITY OR FITNESS FOR A PARTICULAR PURPOSE.

**Limitation of Liability for Special, Incidental or Consequential Damages** - AERUS SHALL NOT IN ANY CASE BE LIABLE FOR SPECIAL, INCIDENTAL OR CONSEQUENTIAL DAMAGES ARISING FROM BREACH OF EXPRESS OR IMPLIED WARRANTIES, CONDITIONS, GUARANTEES OR REPRESENTATIONS, BREACH OF CONTRACT NEGLIGENCE OR ANY OTHER LEGAL THEORY. Such excluded damages include, but are not limited to, loss of profits or revenue and loss of the use of the product.

**For U.S. Application Only** - This warranty gives you specific legal rights, and you may also have other rights which vary from state to state. Some states do not allow limitations on warranties, or on remedies for breach. In such states, the above limitations may not apply to you.

**For Canadian Application Only** - Exclusion of Subsequent Owners: Except as otherwise required by applicable legislation, this warranty is not transferable. This warranty gives you specific legal rights and you may also have other rights which vary from province to province. Some provinces and territories do not allow limitations on warranties, or on remedies for breach. In such provinces or territories, the above limitations may not apply to you.

If any provision of this warranty or part thereof is held by a court of competent jurisdiction to be invalid, illegal or unenforceable, the validity, legality and enforceability of the remaining provisions or parts thereof will not in any way be affected or impaired within the jurisdiction of that court. This entire warranty shall continue to be valid, legal and enforceable in any jurisdiction where a similar determination has not been made.

# Service

For prompt service, call your Aerus representative or the nearest Aerus location listed in your telephone directory. Your authorized Aerus location offers you the best in service both during and after the warranty period, as well as genuine Aerus parts and supplies

Every effort is made to ensure that customers receive an up-to-date instruction manual on the use of Aerus™ products; however, from time to time, modifications to our products may without notice make the information contained herein subject to alteration.

All power units of the Aerus™ Home Care System are certified by the Canadian Standards Association and listed by Underwriters Laboratories Incorporated.



*For information regarding the use of this product, please call our toll-free hotline:*

**1-800-243-9078**

*Visit our website at [www.aerusonline.com](http://www.aerusonline.com)*

**AERUS LLC**

**5956 Sherry Lane, Suite 1500 Dallas, Texas 75225**

©2002 Aerus LLC