



Electrolux

Factory Parts Catalog

Product No.	E30GC74GPS1
	37766226970S1
Series	30" gas
Color	stainless
Market	North America
Wiring Diagram	318047111
Owner's Guide	318200687
Installation Instructions	318201475

Electrolux

Electrolux Major Appliances
North & Latin America
P.O. BOX 212378
AUGUSTA, GA 30917

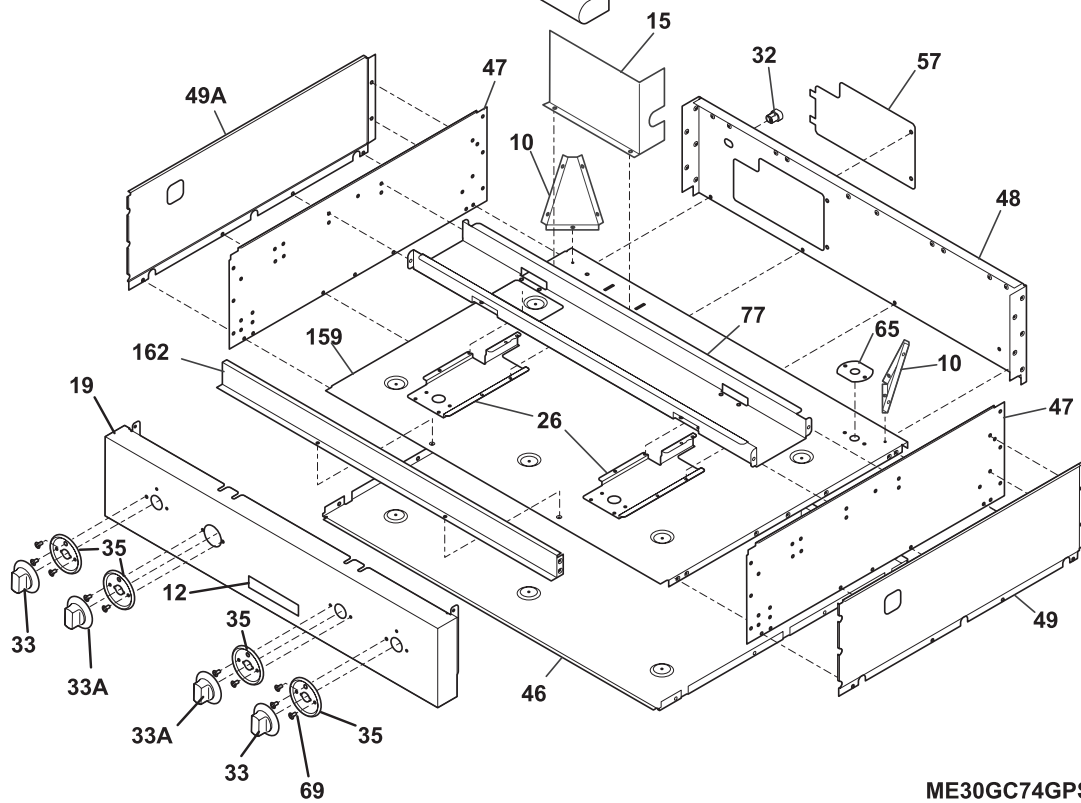
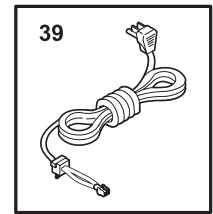
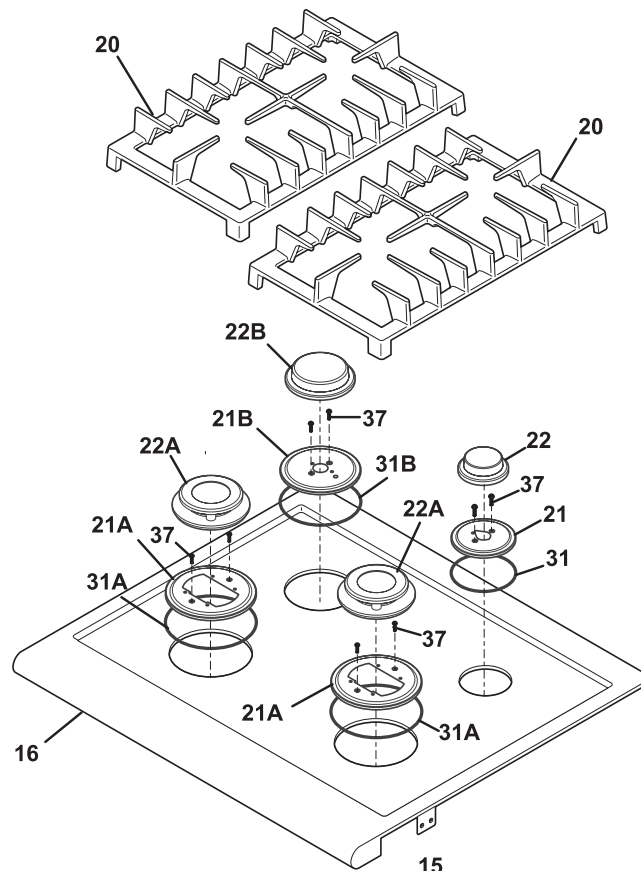
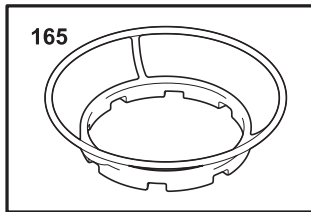
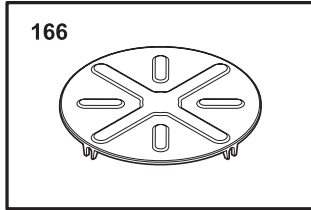
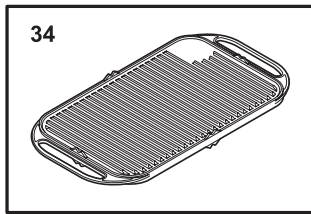
Publication No.
5995533915
09/02/24
(EN/SERVICE/ECL)
377

30" GAS COOK-TOP

Model No.
E30GC74G

Copyright © 2009 Electrolux Home Products, Inc.
All rights reserved.

COOK TOP

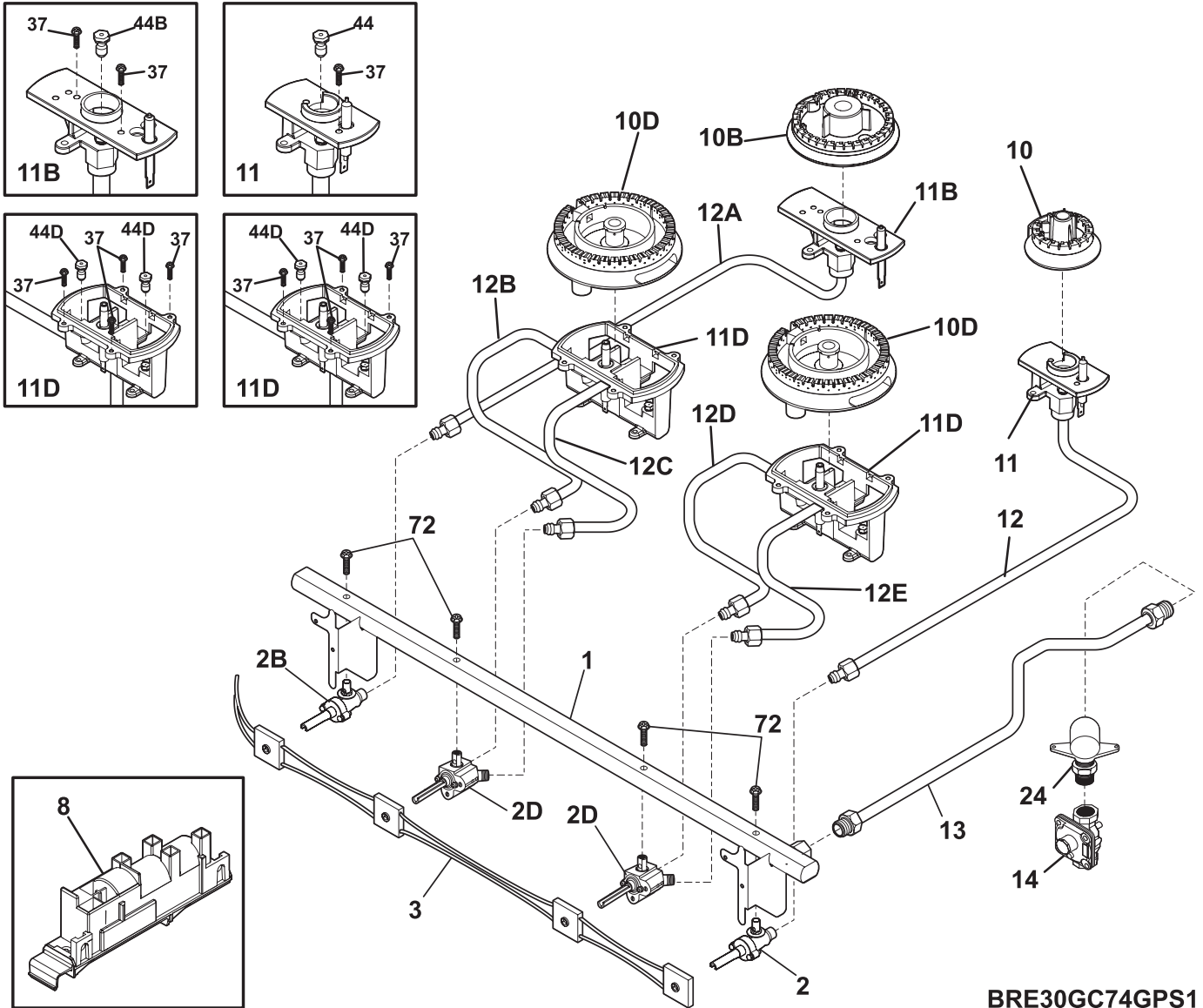


ME30GC74GPS1

COOK TOP

POS. NO	PART NO.	DESCRIPTION
10	7318392500	Bracket, box, (2)
12	7241603101	Label, nameplate, elux/icon
15	7318024206	Deflector, spark module
16	7318185221	Main Top Assy, frame/glass, stainless/black
19	7318285747	Panel, control, stainless
20	7318361403	Grate, top burner, black, (2), double
21	7316514800	Skirt, 5K burner, black
21A	7316515100	Skirt, 18K burner, black, (2)
21B	7316515000	Skirt, 14K burner, black
22	7316510902	Cap, 5K burner, black
22A	7316511502	Cap, 18K burner, black, (2)
22B	7316511302	Cap, 14K burner, black, (2)
26	7318363802	Bracket, channel mtg, (2)
31	7316515200	Seal, 5K burner
31A	7316515203	Seal, 18K burner, (2)
31B	7316515202	Seal, 14K burner
32	73201437	Strain relief
33	7318242225	Knob, control, (2)
33A	7318242226	Knob, control, dual, (2)
34	7318251600	Griddle
35	7318251911	Skirt, (4)
37	7316518100	Screw, ignitor assy mt, 6-32 x .62
39	7318144006	Cord, service
46	7318242810	Panel, base
47	7318241712	Panel, side, (2)
48	7318241820	Panel, rear
49	7318241904	Panel, interior side, RH
49A	7318241905	Panel, interior side, LH
57	7318286400	Panel, service
65	75303304032	Seal, rubber
69	75303300265	Screw, 8-18 X 1/2, (4)
77	7318355502	Bracket, channel mtg.
159	7318242920	Panel, bottom
162	7318245612	Brace, manifold
165	7318254300	Support, WOK
166	7318254200	Simmer Plate
*	7316459400	Pad, cleaning
*	7318163601	Cleaner-cooktop
*	7318163602	Cleaner, stainless steel
*	708016432	Screw, truss head, 8-18 x 0.375
*	75303211311	Screw, 8 x 0.500
*	75303323140	Screw, ground, 10-32 x 0.375

BURNER

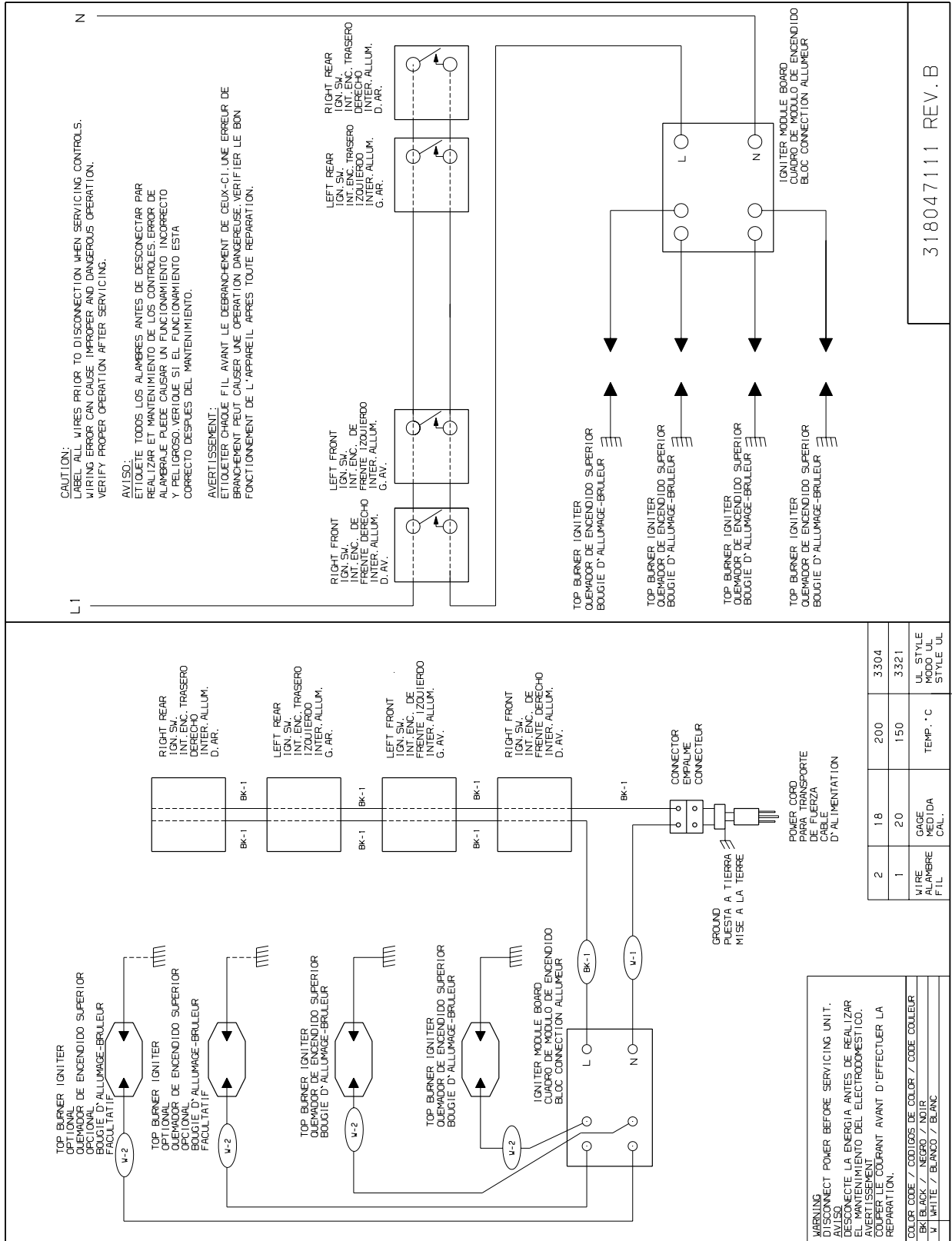


BRE30GC74GPS1

BURNER

POS. NO	PART NO.	DESCRIPTION
1 #	7318234315	Manifold Pipe
2 #	7316520700	Valve, burner, 5K
2B #	7316520703	Valve, burner, 14.2K
2D #	7316412510	Valve, top burner, 18K, dual port
3 #	7318232637	Wiring Harness, w/igntr switch
8 #	7316135701	Module, spark
*	75303323140	Screw, ground, 10-32 x 0.375
*	75303321221	Screw, 8-32 x 3/4
10 #	7316510800	Burner, sealed, 5K
10B#	7316511200	Burner, sealed, 14K
10D#	7316525400	Burner, sealed, dual, 18K
11 #	7316524800	Ignitor/orifice assy., top burner, 5K, w/holder
11B#	7316525000	Ignitor/orifice assy., top burner, 14K, w/holder
11D#	7316525100	Ignitor/orifice assy., top burner, 18K, w/holder
12 #	7318221375	Tubing, 5K, RH rear
12A#	7318221376	Tubing, 14K, LH rear
12B#	7318221377	Tubing, 18K, LH front
12C#	7318221379	Tubing, 18K, LH front
12D#	7318221378	Tubing, 18K, RH front
12E#	7318221380	Tubing, 18K, RH front
13	7318054513	Connector, manifold tube
14 #	7318122706	Regulator, pressure
24	7318054010	Elbow, fitting
*	708011955	Screw, 10-24 x 0.375, square drive
37	75303305528	Screw, 8-32 x 1/4
44	7316523504	Orifice, top burner, 5K
44B	7316523506	Orifice, top burner, 14K
44D	7316523508	Orifice, top burner, 18K
72	7316215600	Screw, valve mtg., 1/4 - 20
* #	7318127440	LP Conversion Kit
* #	7318199778	Wiring Harness, ignitor

WIRING DIAGRAM



318047111 REV.B