

EUREKA

Upright Vacuum Cleaner Household Type Owner's Guide 4870 Series

IMPORTANT

Do not return this product to the store.

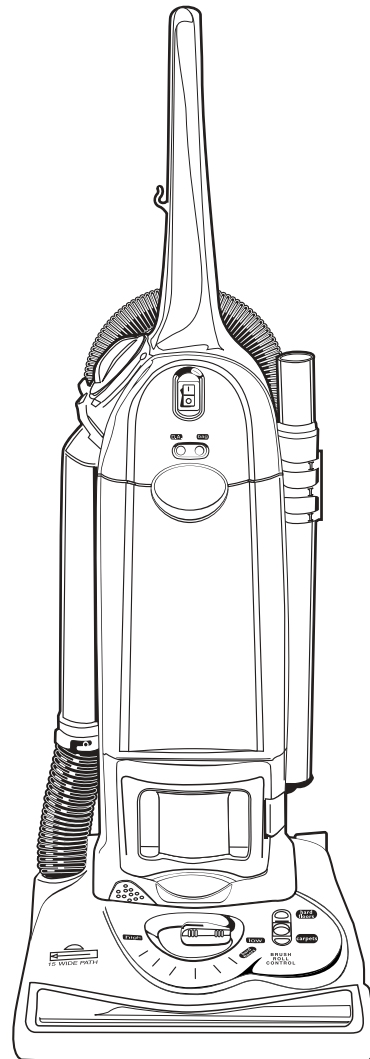
For assembly problems or questions contact: Eureka's Customer Service Division toll free at 1-800-282-2886*, 8 a.m. to 7:30 p.m., (CST), Monday - Friday and 10 a.m. - 6:30 p.m. (CST) Saturday.

For replacement of broken or missing items to be shipped direct to you, call 1-800-438-7352*, 8 a.m. to 4:45 p.m., Central Standard Time, Monday through Friday.

*En Mexico llame al 5670-6169

Index

Important Safeguards	2
Service Information	4
Assembly	5-6
Use	7-8
Thermal Cut Off	4 & 8
Accessories	9
Clear Tubes	10-11
Brush Roll	12
Brush Roll Belt	12-13
Dust Bag	13-14
Filters	14-15
HEPA Filter	15
Light Bulb	15
Problem Solving	16
Customer Order Form	17
Warranty	19



Fill in and Retain:

We suggest you record the model, type and serial numbers below, they are located on the silver rating plate on your cleaner, and attach the receipt to the owner's guide as proof of purchase. For prompt and complete service information, always refer to these numbers when inquiring about service.

Model & Type _____

Serial No. _____

IMPORTANT SAFEGUARDS

When using an electrical appliance, basic precautions should always be followed, including the following:

READ ALL INSTRUCTIONS BEFORE USING THIS VACUUM CLEANER.

WARNING

To reduce the risk of fire, electric shock, or injury:

- Do not use outdoors or on wet surfaces.
- **Do not leave vacuum cleaner when plugged in.** Turn off the switch and unplug the electrical cord when not in use and before servicing.
- Do not allow to be used as a toy. Close attention is necessary when used by or near children.
- Use only as described in this manual. Use only manufacturer's recommended attachments.
- Do not use with damaged cord or plug. If vacuum cleaner is not working as it should, has been dropped, damaged, left outdoors, or dropped into water, return it to a service center before using.
- Do not pull or carry by cord, use cord as a handle, close a door on cord, or pull cord around sharp edges or corners. Do not run vacuum cleaner over cord. Keep cord away from heated surfaces.
- Do not use extension cords or outlets with inadequate current carrying capacity.
- Turn off all controls before unplugging.
- Do not unplug by pulling on cord. To unplug, grasp the plug, not the cord.
- Do not handle plug or vacuum cleaner with wet hands.
- Do not put any object into openings. Do not use with any opening blocked; keep free of dust, lint, hair, and anything that may reduce airflow.
- This vacuum cleaner creates suction and contains a revolving brush roll. Keep hair, loose clothing, fingers, and all parts of body away from openings and moving parts.
- Do not place cleaner on furniture or stairs as the brush roll may cause damage. Place cleaner on floor with the handle in storage position while using attachments.
- Do not pick up anything that is burning or smoking, such as cigarettes, matches, or hot ashes.
- Do not use without dust bag in place.
- Belt pulleys can become hot during normal use. To prevent burns, avoid touching the belt pulley when servicing the drive belt.
- Use extra care when cleaning on stairs.
- Do not use to pick up flammable or combustible liquids such as gasoline, or use in areas where they may be present.
- Store your cleaner indoors in a cool, dry area.
- Keep your work area well lighted.
- Unplug electrical appliances before vacuuming them.

SAVE THESE INSTRUCTIONS

CONSEILS DE SÉCURITÉ

Lors de l'utilisation d'un appareil électrique, quelques précautions élémentaires doivent être observées, incluant les suivantes:

LISEZ TOUTES LES INSTRUCTIONS AVANT D'UTILISER VOTRE ASPIRATEUR.

AVERTISSEMENT

Pour réduire le risque de feu, de choc électrique, ou de blessure:

- Ne pas utiliser à l'extérieur ou sur des surfaces mouillées.
- **Fermez le commutateur et débranchez l'appareil lorsque vous ne l'utilisez pas ou avant le nettoyage ou l'entretien.**
- Ne permettez pas qu'il soit utilisé comme jouet. Une attention particulière est nécessaire lorsque utilisé par ou près d'un enfant.
- Suivez les recommandations d'utilisation de ce manuel. Utilisez uniquement les accessoires recommandés par le fabricant.
- Ne pas utiliser si le cordon ou la fiche sont endommagés. Si l'aspirateur ne fonctionne pas comme il le devrait, s'il a été échappé, s'il est endommagé, s'il a été laissé à l'extérieur ou échappé dans l'eau, retournez-le à un centre de service avant d'utiliser.
- Ne pas le tirer ou le transporter par le cordon, ne pas utiliser le cordon en guise de poignée. Ne pas fermer une porte sur le cordon ou tirer le cordon sur des coins ou bordures pointus. Ne pas circuler sur le cordon avec l'aspirateur. Tenir le cordon à distance des surfaces chauffantes.
- Ne pas utiliser des rallonges ou des prises qui n'ont pas de capacité suffisante pour transporter le courant.
- Fermer tous les contrôles avant de débrancher.
- Ne pas débrancher en tirant sur le cordon. Pour débrancher, tenez la fiche et non le cordon.
- Ne pas manipuler la fiche ou l'aspirateur avec les mains mouillées.
- Ne pas rien insérer dans les ouvertures. Ne pas utiliser si des ouvertures sont bloquées; assurez-vous qu'elles soient dégagées de poussière, mousse, cheveux ou toute autre chose qui pourrait réduire le passage de l'air.
- Cet aspirateur crée de la succion et contient un rouleau-brosse tournant. Tenir les parties mobiles et les ouvertures loin des cheveux, du linge, des doigts et de toute partie du corps.
- Ne pas mettre l'aspirateur sur les meubles ou sur les escaliers car le rouleau-brosse peut faire des dommages. Placer l'aspirateur sur le plancher avec le manche en entreposage position temps que les accessoires sont en usage.
- Ne pas ramasser des objets qui brûlent ou fument comme les cigarettes, allumettes ou cendres chaudes.
- N'utilisez pas sans le sac de poussière en place.
- Les poulies du courroie peuvent devenir chaudes pendant l'utilisation normale. Pour prévenir des brûlures, évitez de touché la poulie du courroie lorsque vous réparez la courroie.
- Portez une attention particulière lorsque vous nettoyez les escaliers.
- Ne pas utiliser pour ramasser des liquides inflammables ou combustibles comme de l'essence: Ne pas utiliser dans les endroits où ces liquides pourraient être présents.
- Entrez votre aspirateur à l'intérieur dans un endroit propre et sec.
- Maintenez un bon éclairage à l'endroit où vous travaillez.
- Débrancher les appareils électrique avant de les balayer.

CONSERVEZ CES INSTRUCTIONS

To reduce the risk of electric shock, this appliance has a polarized plug (one blade wider than the other). This plug will fit in a polarized outlet only one way. If the plug does not fit fully in the outlet, reverse the plug. If it still does not fit, contact a qualified electrician to install the proper outlet. Do not change the plug in any way.

Afin de réduire le risque de choc électrique, cet appareil est muni d'une fiche polarisée (une des lames est plus large). Cette fiche ne peut être insérée dans une prise polarisée que d'une seule façon. Si la fiche ne peut être insérée dans la prise, retourner la fiche. Si la fiche ne peut toujours pas être insérée dans la prise, faire installer une prise adéquate par un électricien qualifié. Ne pas modifier la fiche.

GENERAL INFORMATION

The cleaner is designed to pick up dirt and dust particles. Avoid picking up hard or sharp objects with the cleaner to prevent bag tears and hose clogs with subsequent motor damage.

Service Information

The instructions in this booklet serve as a guide to routine maintenance. For additional service information telephone our toll free number for the nearest Eureka Authorized Warranty Station. **You should know the model, type and serial numbers when you call:**

USA: 1-800-282-2886
Mexico: 5670-6169
Canada: 1-800-282-2886

If you prefer, you can write to The Eureka Company, Service Division, 807 N. Main Street, Bloomington, Illinois 61701, USA. In Canada write to The Eureka Company, 866 Langs Drive, Cambridge, Ontario N3H 2N7. Refer to The Eureka Limited Warranty for complete service information.



DO NOT OIL the motor or the brush roll at any time. The bearings are permanently lubricated and sealed.

Thermal Cut Off

This vacuum cleaner has a special thermostat that protects the cleaner in case of motor overheating. If the cleaner suddenly shuts off, push the rocker switch to off (O) and unplug the cleaner. Check the cleaner for a possible source of overheating such as a full bag, a blocked hose or clogged filter. If these conditions are found, fix them and wait at least 30 minutes before attempting to use the cleaner. After the 30 minute period, plug the cleaner back in and turn on the switch. If the cleaner still does not run, then take it to a Eureka Authorized Service Center for repair.

HOW TO ASSEMBLE

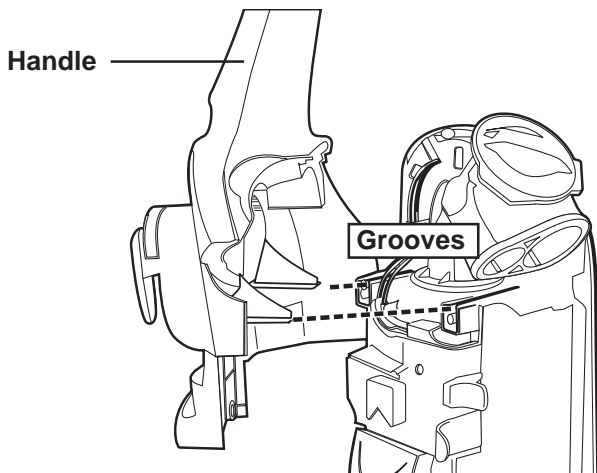
CAUTION: Assemble the cleaner before using.

CAUTION: Moving parts. Make sure on/off switch is in off (0) position before plugging in.

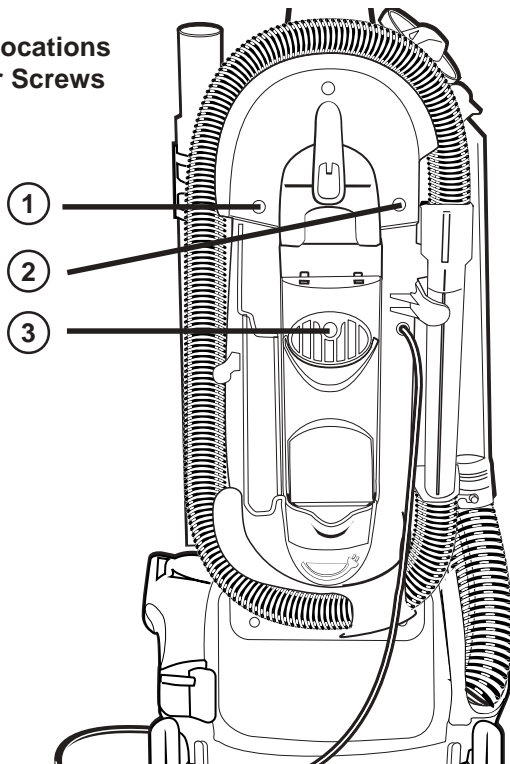
NOTE: Features may vary by model yet all parts assemble the same.

Step A Attach Handle

CAUTION: Do not catch cord under handle.

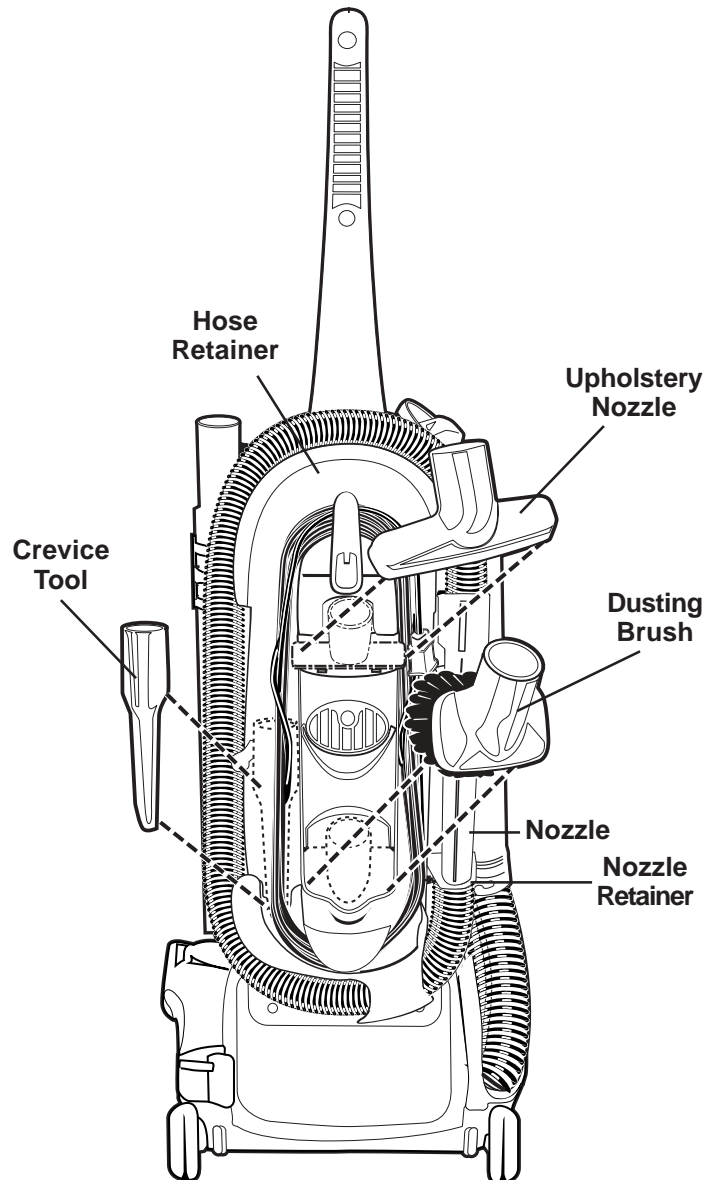


3 Locations
for Screws



1. From rear of cleaner, align handle with grooves and slide onto cleaner. If necessary, use thumb and finger pressure to slide handle into position.
2. Attach handle with three 1 inch screws in the assembly packet. Use either a flat or Phillips® head screwdriver.

Step B Store Hose and Accessories



3. To store hose. Remove paper holding hose to unit. Lay hose over hose retainer and place nozzle on nozzle retainer.
4. Store tools, crevice tool, dusting brush and upholstery nozzle where indicated above.

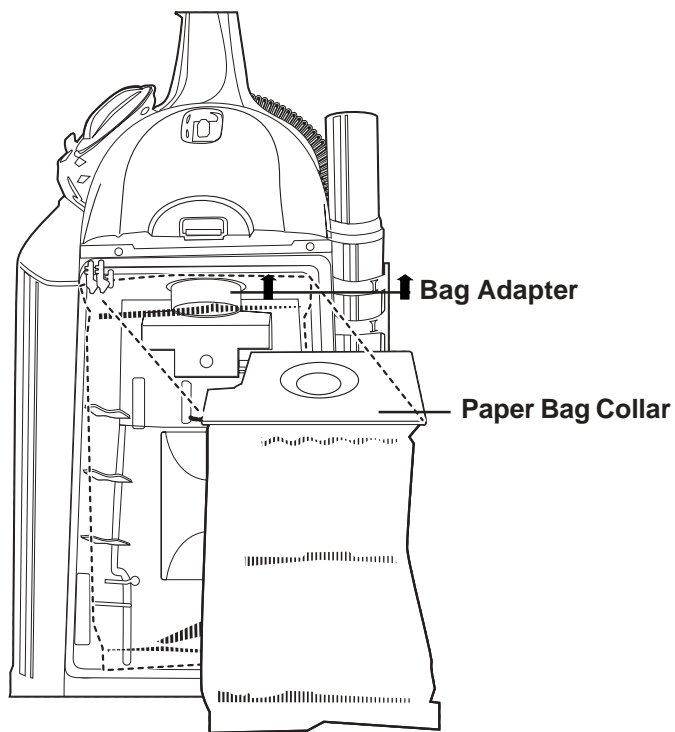
Step C Check Disposable Dust Bag

5. Remove front cover. Lift bag cover latch up and pull bag cover away from unit.



6. Check to be sure the paper bag collar is secure with the bag adapter inside the paper bag collar.

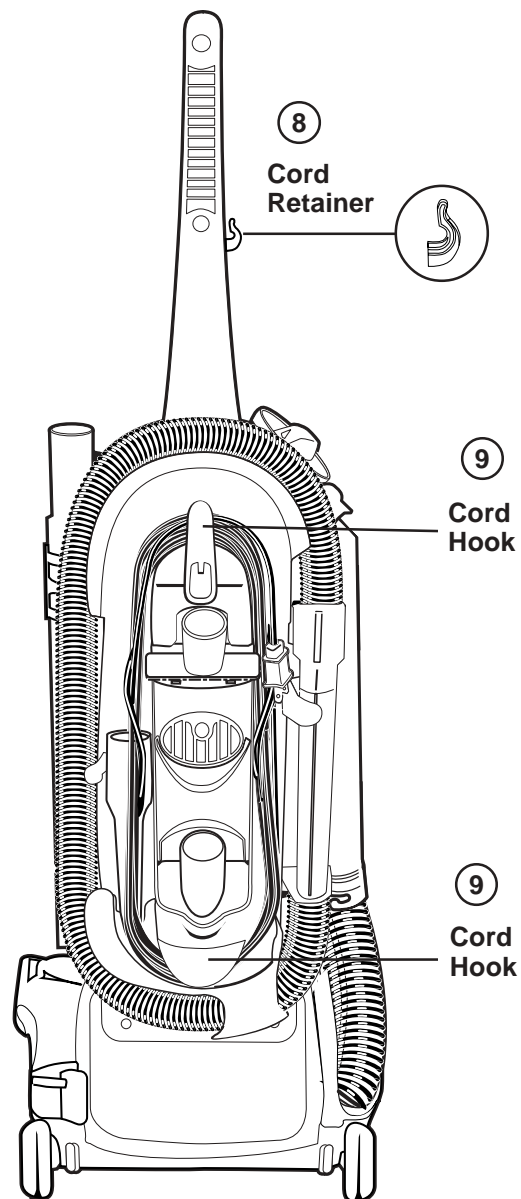
NOTE: Bag cover will not shut if paper bag is not properly installed.



7. Replace front bag cover.

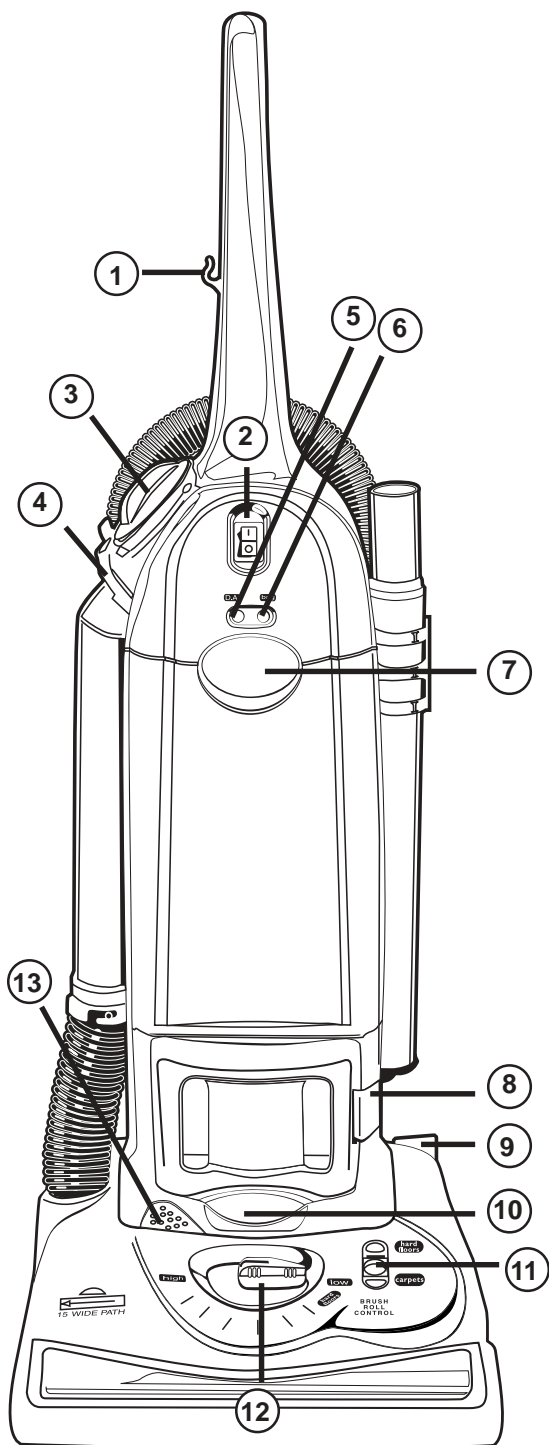
NOTE: See pages 13 & 14 for complete bag installation instructions.

Step D Store Electrical Cord



8. You will find your cord retainer on the handle above the upper cord hook. Firmly push the electrical cord down into the cord retainer before using the vacuum. This will place the cord out of the way while you are vacuuming. Remove cord from retainer when ready to store vacuum or when using hose and attachments.
9. Next wind the cord around the two cord hooks on the back of cleaner. *The upper cord hook turns to release the cord. Turn the hook up to store the cord.*
10. Secure the plug to the cord to prevent unwinding.

HOW TO USE



1. **Cord Retainer.** To use, push electrical cord down into cord retainer.
2. **ON/OFF Switch.** International symbol **I** means On, International symbol **O** means Off.
3. **Hose/Floor Selector.** Turn to select **hose** for above floor cleaning or **floor** for floor surface cleaning. If cleaning hard floor surface also adjust the cleaner height setting to hard floor.
4. **Cam Latch.** To release clear tubes.

5. **Dirt Alert Indicator** (on some models). The dirt alert sensor uses infrared technology to indicate whether or not floors are clean. When debris breaks the light beam, the red light comes on indicating additional cleaning is needed in this area. If there is no break in the light beam, the floor is clean and no light will come on.

When using your new vacuum you may be cleaning deep down dirt missed by your old vacuum causing the light to stay red longer. With frequent cleaning, after the first few times you use your Eureka vacuum, the red light should go on less.

To check if the dirt alert sensor is working properly:

- A. While the red light is on, tip the vacuum backwards on rear wheels, lifting the brush roll off the carpet a couple of inches.
- B. After a few seconds the red light should turn off.

6. **Bag Change Indicator** (on some models). Some models feature a bag change indicator to remind you to change the bag. When it is time to change the bag, the bag change indicator will illuminate.

Certain types of fine particles like powder, plaster dust, or fine road dust can restrict airflow very quickly. The fine particles will decrease performance even before the bag appears to be full. Change the dust bag to restore maximum performance.

7. **Bag Cover Latch.** Pull up on latch to remove bag cover giving access to the dust bag and motor filter. Push on latch to close cover.
8. **HEPA Filter Door Latch.** Squeeze latch and pull out to remove HEPA Filter Door giving access to the HEPA Filter. Push on latch to close door.
9. **Handle Release.** Step on handle release. Pull handle back to a comfortable position.
10. **Stair Handle.** To use when cleaning stairs.
11. **Brush Roll Control.** Flip this lever to choose between cleaning hard floors and carpeting. Brush roll is "off" for hard floors and "on" for carpets.

NOTE: When handle is in upright position, brush roll automatically shuts off.

12. **Cleaner Height Setting.** The front of the cleaner has an adjustment that raises or lowers the cleaner base to match the type of floor surface. With the cleaner cord unplugged, set the adjustment to lowest setting for maximum carpet cleaning. **If the cleaner is difficult to push, move adjustment to next highest setting until cleaner is comfortable to push.** The brush roll must reach the carpet for effective cleaning. The optimal hard floor cleaning adjustment is located next to lowest carpet setting. For ease in moving the adjustment knob, place handle in operating position and tilt cleaner back to remove weight from front wheels.

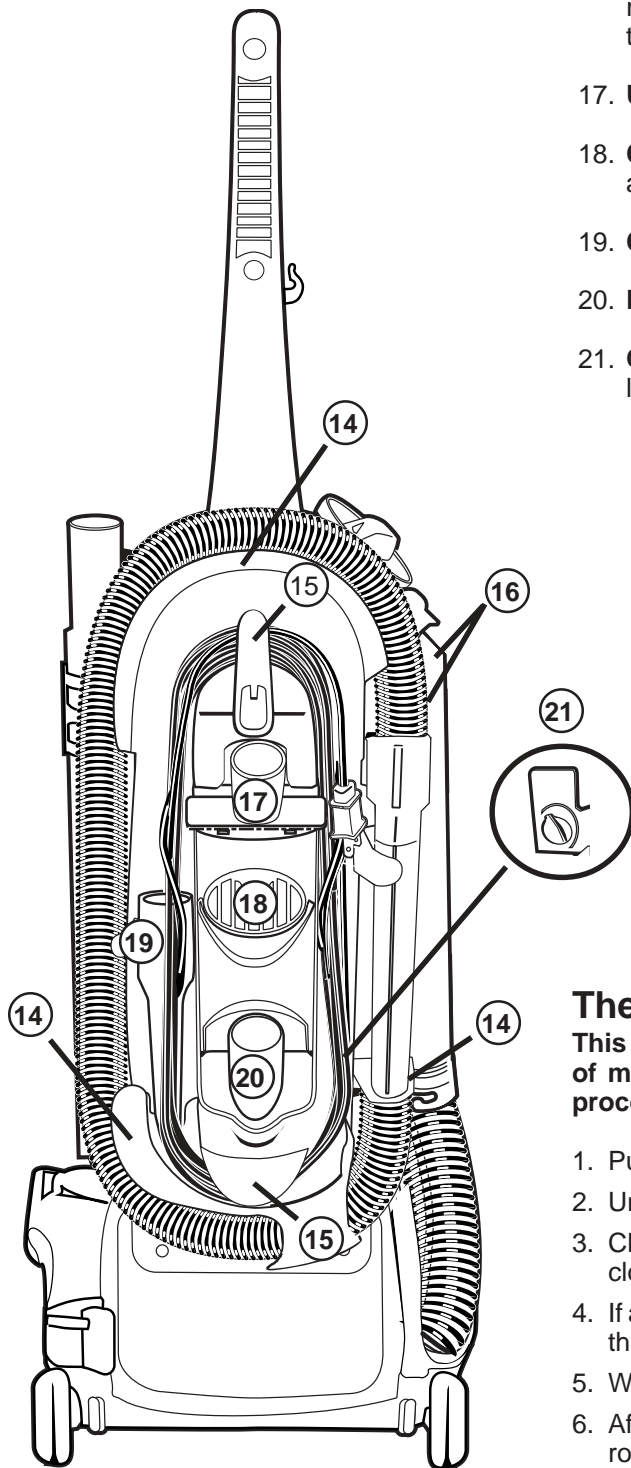
NOTE: The suction against some types of flooring may require higher cleaner height setting. The Hard Floor setting is recommended, but the actual setting used for your hard floor may need to be adjusted for best performance and ease of movement.

WARNING: Avoid injury. Keep loose clothing, hair, fingers, and all other parts of body away from any moving part (such as the revolving brush). Turn off the switch and unplug the cleaner before changing the cleaner height setting.

13. **Headlight.**

HOW TO USE (continued)

14. **Hose Retainers (2).** Place hose on retainers to store hose on unit.
15. **Electrical Cord Hooks (2).** Wrap electrical cord around them to store electrical cord on unit.
16. **Clear Tubes (2).** The larger clear tube carries the dirt from the brush roll area into the dust bag. The smaller clear tube carries the dirt from the hose for above the floor cleaning to the dust bag.
17. **Upholstery Nozzle Storage.** Store upholstery nozzle here.
18. **Carrying Handle.** Use this handle to carry unit from one place to another.
19. **Crevice Tool Storage.** Store crevice tool here.
20. **Dusting Brush Storage.** Store dusting brush here.
21. **Quarter Turn Fastener.** Located behind the electrical cord, this fastener locks the clear tubes in place.



NOTE: WHEN UNIT IS RUNNING, DO NOT ATTEMPT TO REMOVE ANY OBJECT WHICH PREVENTS THE BRUSH ROLL FROM TURNING.

First, lock handle in storage position, turn off unit, unplug from the electrical socket, then remove object from brush roll area. Ex: sock, rug, etc.

Thermal Cut Off

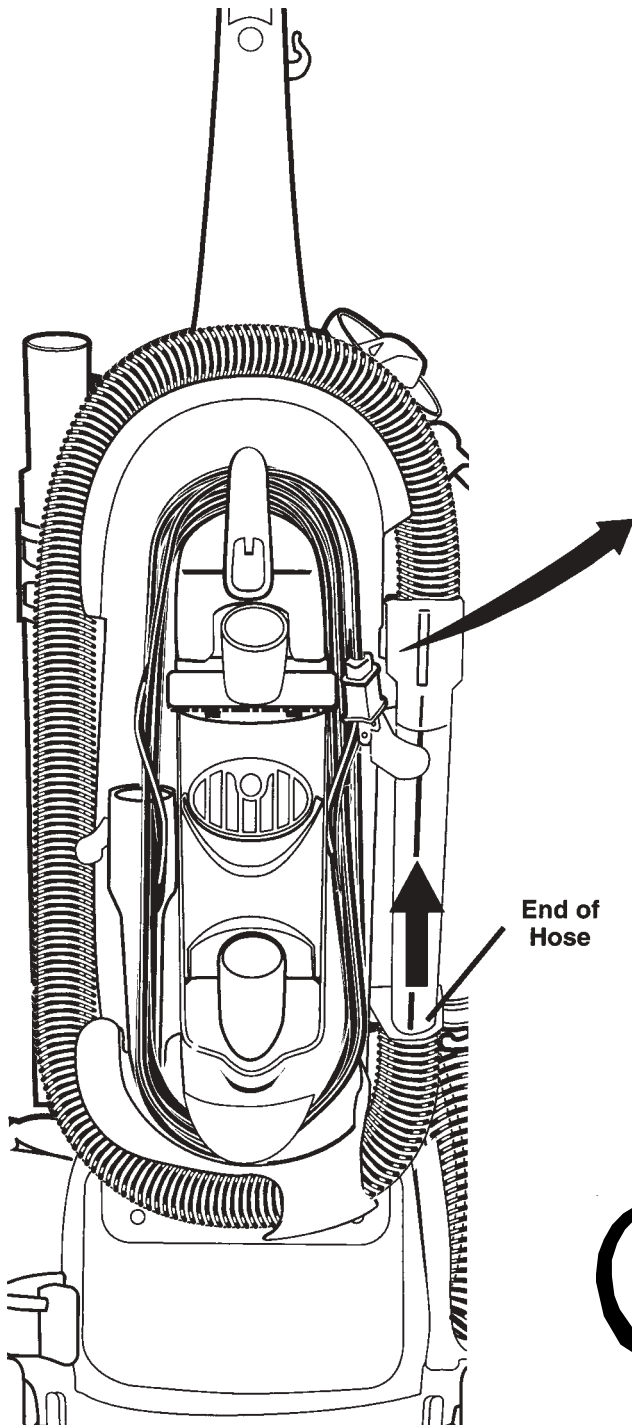
This cleaner has a special thermostat that protects the cleaner in case of motor overheating. If the cleaner suddenly turns off, follow this procedure:

1. Push rocker switch to off (O) position.
2. Unplug cleaner.
3. Check for source of overheating problem (i.e. full bag, clogged hose, clogged tubes or clogged filter).
4. If a full bag, clogged hose, clogged tube or clogged filter is found, replace the bag, unclog the hose or replace the filters.
5. Wait at least 30 minutes before attempting to reuse the cleaner.
6. After 30 minute cool down period, plug the cleaner in and push the rocker switch to the on (I) position. The cleaner should turn on.
7. If the cleaner still does not operate, take it to any Eureka Authorized Service Center for repair.

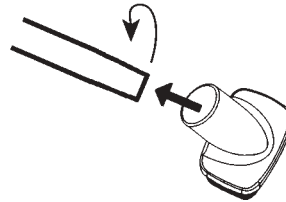
How To Use Accessories

NOTE: Place cleaner on floor with the handle in storage position while using accessories. Do not place cleaner on furniture or steps.

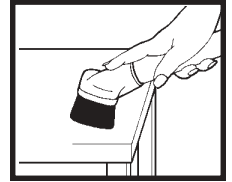
1. Remove hose from rear of cleaner.
2. Place desired accessory onto end of hose or wand.
3. Move hose/floor valve to hose position.



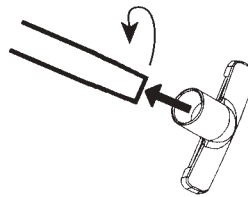
Dusting Brush is for furniture, blinds, books, lamp shades, shelves.



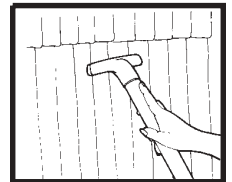
Dusting Brush



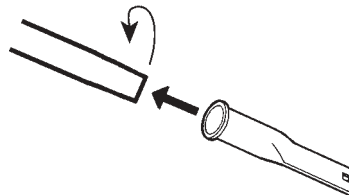
Upholstery nozzle is for curtains, draperies, cushions, fabrics.



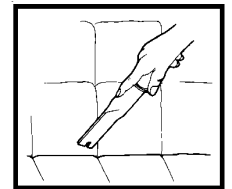
Upholstery Nozzle



Crevice tool cleans corners, baseboards, between cushions.

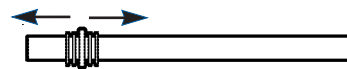


Crevice Tool

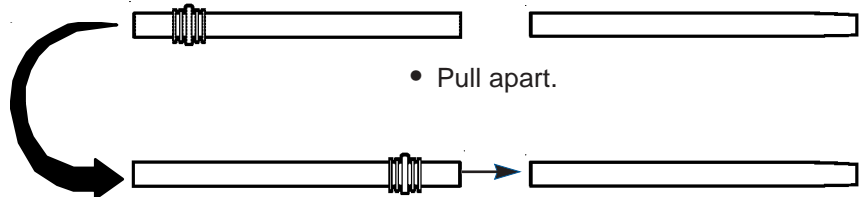


Extension wands

Nested extension wands to add reach.



- Grasp both wands near ridges.



- Pull apart.

- Turn ridge end to center.

- Push wands together.

How to Remove and Check Clear Tubes

Low suction or poor pickup may be due to a blockage in the vacuum cleaner.

To Check Attachment Hose

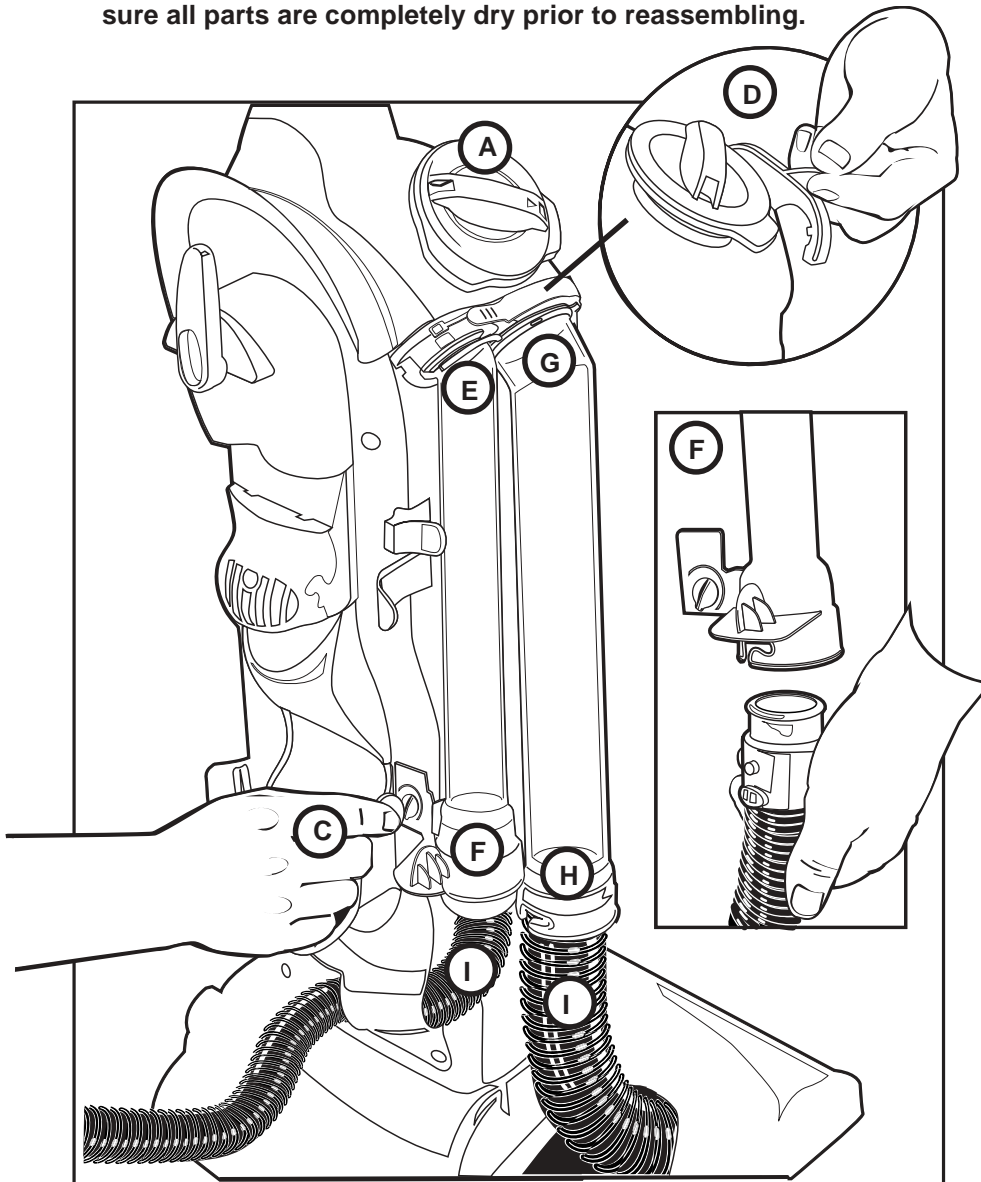
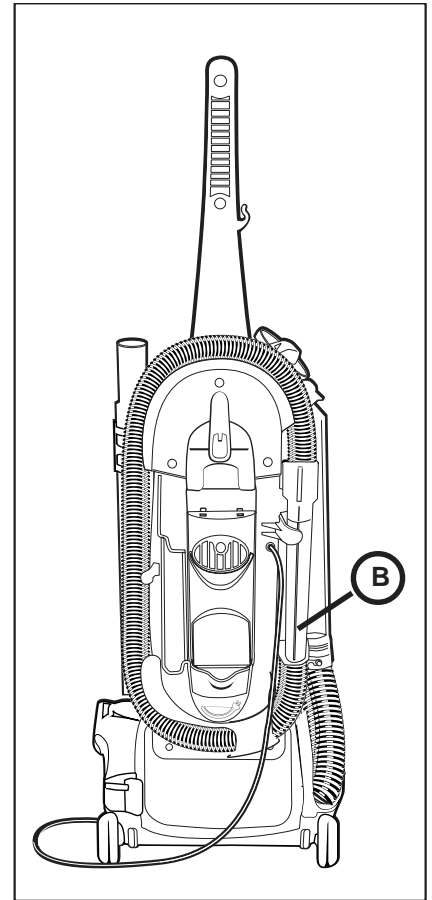
1. Move hose/floor valve (A) to hose position.
2. Remove hose (B) and check suction at end of hose - if little or no suction, check disposable dust bag and filters. Change if needed. If no improvement proceed to step 3.

NOTE: Turn off the switch and unplug the electrical cord before checking tubes.

To Check Large base hose coming from hood, go directly to step 3.

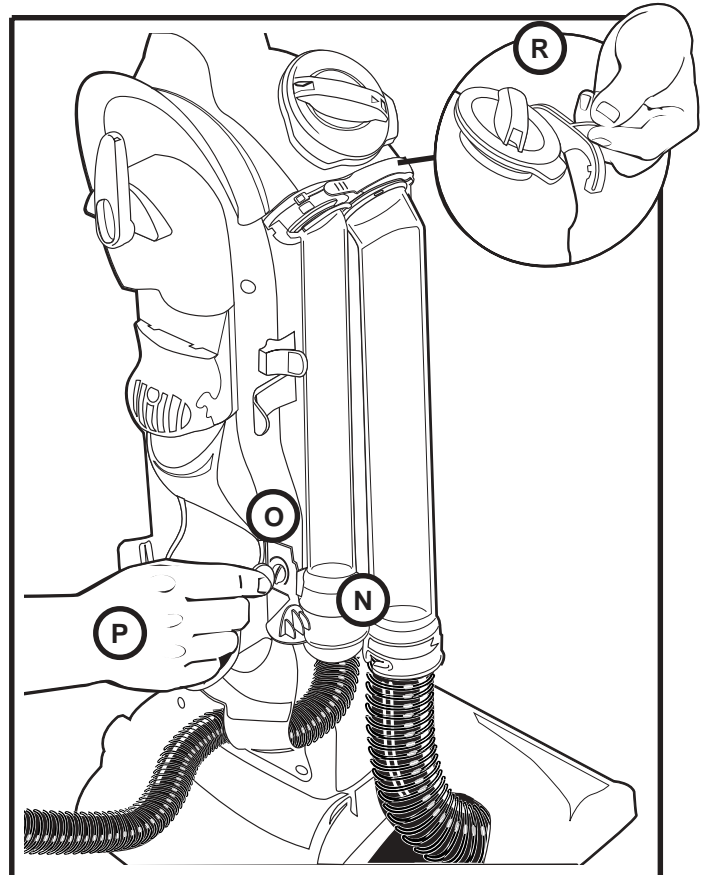
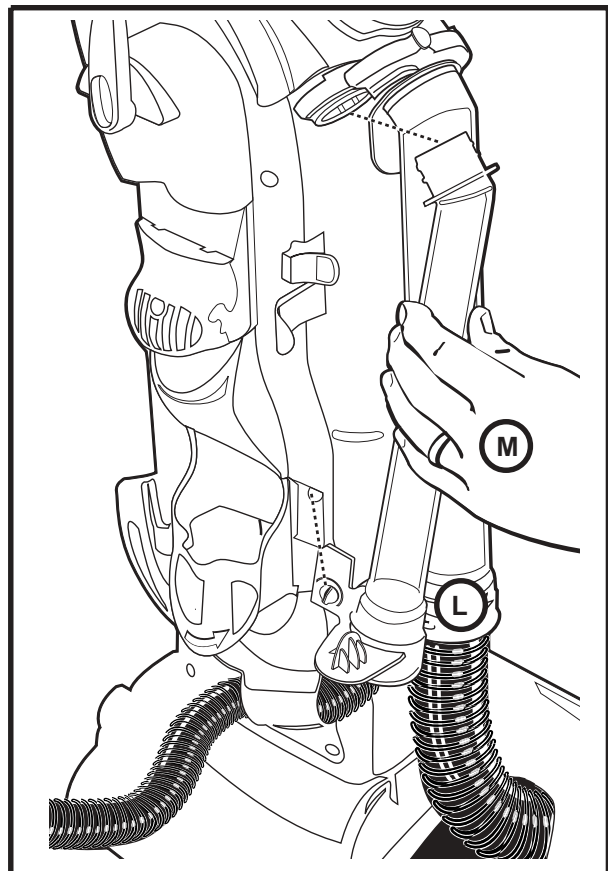
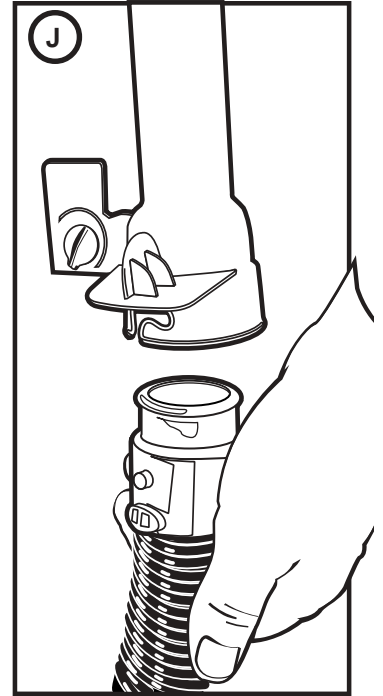
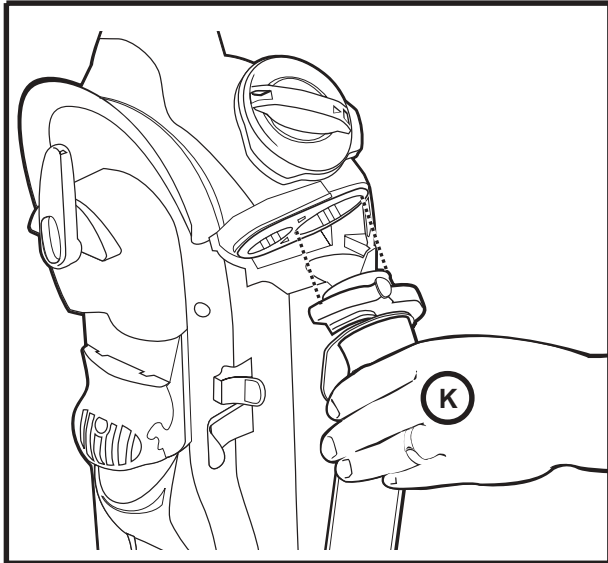
3. Turn quarter turn fastener (C) to unlock.
4. Lift latch (D).
5. Pull small clear tube (E) down and away from cleaner.
6. At hose/clear tube connection, rotate twist lock (F) to release tube.
7. Check for blockages.
8. Remove large clear tube (G) by swinging back and pulling down and away from cleaner.
9. At large hose/clear tube connection, rotate twist lock (H) to release tube.
10. Check for blockages in both clear tubes (E/G) and both hoses (I).

NOTE: Clean tubes with mild detergent. Do not put them in a dishwasher. Make sure all parts are completely dry prior to reassembling.



How to Reassemble Clear Tubes

11. Reattach both clear tubes (J) (push and twist) to hoses (I) on cleaner.
12. Insert large clear tube into large hole (K). Be sure to insert completely. Make sure the latch (D) is open so the clear tube can be fully installed.
13. Slide ribs at the bottom of the large clear tube (L) into the slot on the cleaner until the clear tube is vertical.
14. Insert small clear tube (M) into small hole. Be sure to insert completely.
15. Push into place so both clear tubes are vertical (N). The bottoms of the clear tubes will interlock.
16. Adjust small clear tube until quarter turn lock (O) is correctly located on back of cleaner.
17. Use a coin to turn the quarter turn lock clockwise to lock (P).
18. Close latch (R), securing the clear tubes at the top.



HOW TO MAINTAIN

The instructions in this booklet serve as a guide to routine maintenance. To avoid unnecessary service calls, check the bag, belt, and brush roll often.

Brush Roll

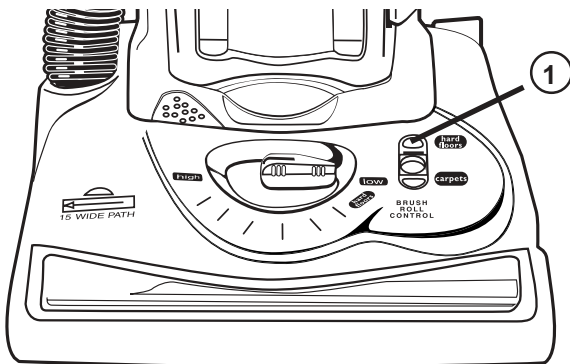
The brush roll turns as it sweeps and combs the carpet nap. Remove hair and threads from the brush roll so it continues brushing the carpet. To maintain the most efficient cleaning, the bristles must touch the carpet. To test the bristle length, hold a ruler against the underneath side of the cleaner. If the bristles no longer touch the ruler, replace the brush roll.

Brush Roll Belt

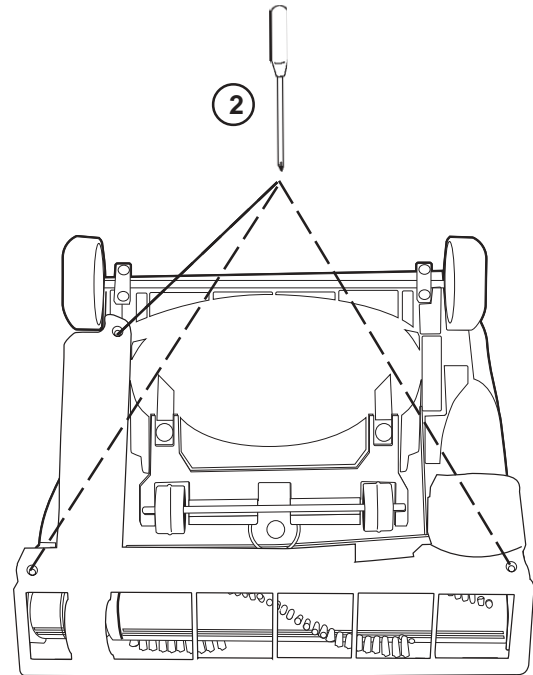
The brush roll belt turns the brush roll to agitate, sweep, and comb the carpet nap. Check the belt regularly to be sure it is in good condition. Replace the belt if it cracks or tears. Cut away any hair or threads wound around the brush roll or the belt pulley because the buildup could cause the belt to rotate unevenly.

How To Replace Brush Roll Belt, Part No. 61110

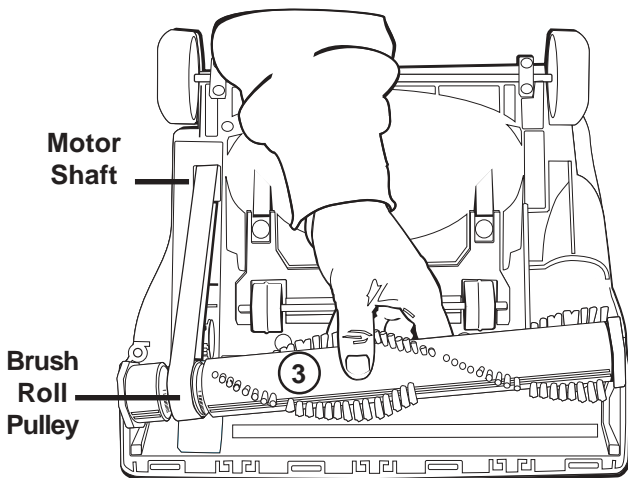
NOTE: Turn off the switch and unplug the electrical cord before replacing belt. Belt pulleys can become hot during normal use. To prevent injury, avoid touching the motor shaft when checking the belt.



1. Move brush roll control lever to hard floor position.

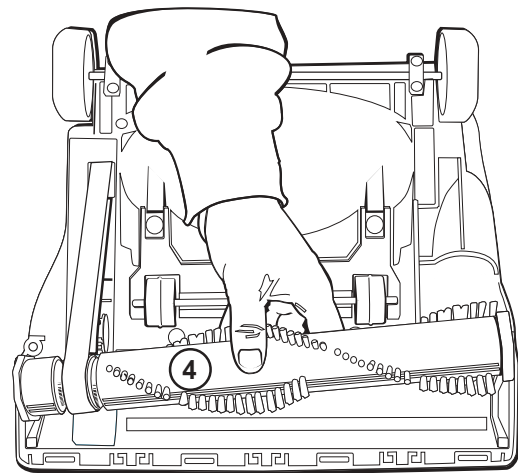


2. Remove 3 base plate screws using a Phillips® screwdriver. Lift base plate off base.



3. Remove brush roll. Place new belt around motor shaft and brush roll.

NOTE: The new belt will appear to be too large. This is normal.

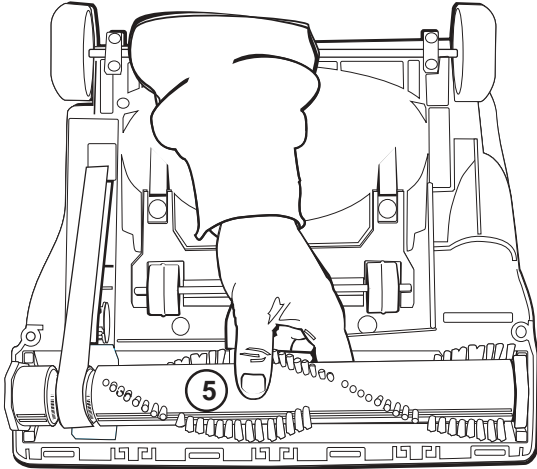


4. Insert left end into base.

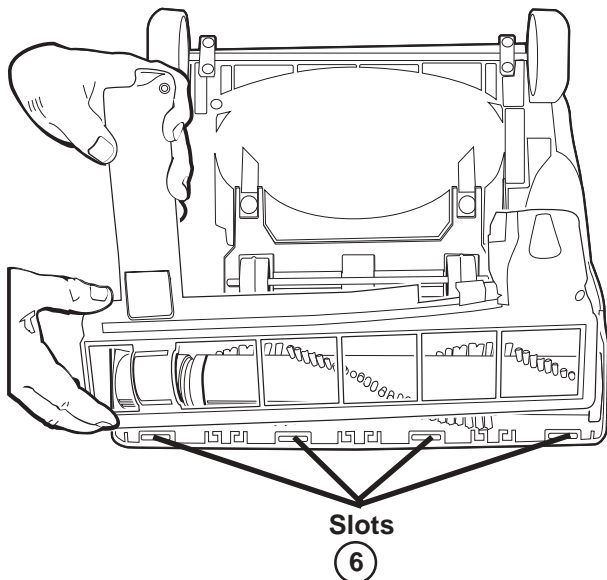
HOW TO MAINTAIN (continued)

The instructions in this booklet serve as a guide to routine maintenance. To avoid unnecessary service calls, check the bag, belt, and brush roll often.

How To Replace Brush Roll Belt (continued)



5. Insert right end into base. Make sure it is fully into position. Ensure belt is centered. **NOTE: The new belt will appear to be too large. This is normal.**



6. Replace base plate by first inserting all 4 front tabs into slots on base. Rotate down on cleaner and replace 3 screws.

Disposable Dust Bag and Filters

The disposable dust bag plays a very important role in the efficiency of a vacuum cleaner. The purpose of the paper bag is to trap dirt. As the bag traps dirt, it must also be porous enough to allow air to pass on through. If the paper bag becomes clogged, no air can pass through the cleaner and no cleaning can take place regardless of how powerful the unit. Change the dust bag and check the filters frequently. Some fine particles can restrict airflow very quickly and will decrease performance even before the bag appears to be full.

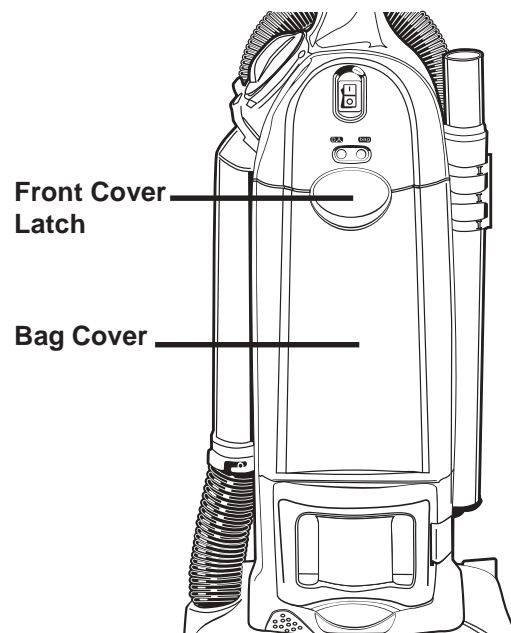
When vacuuming carpet fresheners or cleaners, powder, plaster dust, or similar fine substances, the bag and filters may require more frequent maintenance.

How To Replace Bags—Style RR Filteraire

NOTE: Turn off the switch and unplug the electrical cord before changing dust bag. Never operate the vacuum cleaner without the dust bag or the filter.

NOTE: Style RR Filteraire bags must be used to maintain HEPA grade filtration and prolong the life of the HEPA filter.

To Remove Bag:



1. Release front cover latch by lifting up. Pivot bag cover away from cleaner and remove.

NOTE: Bag cover will not shut if paper bag is not properly installed.

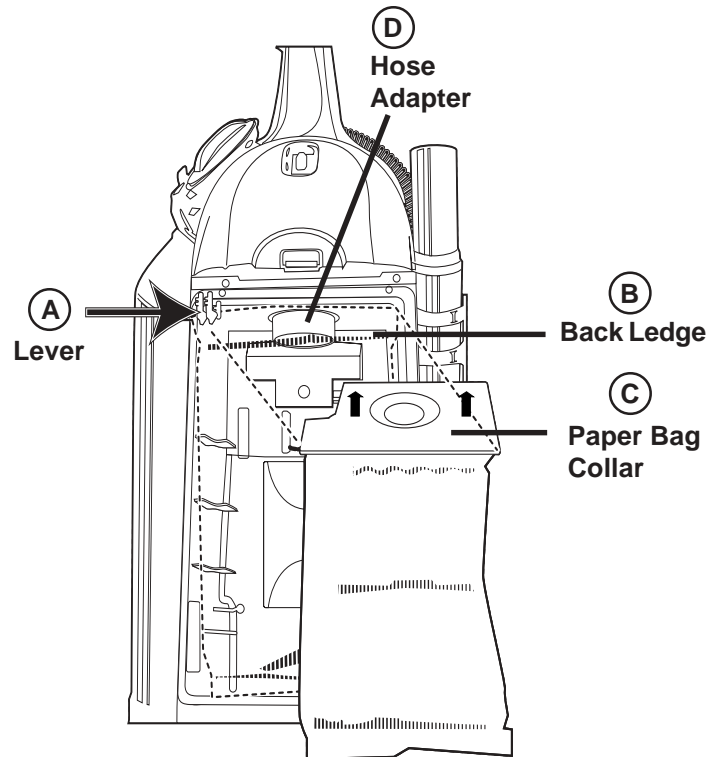
To Remove Bag: (continued)

2. Pull and hold lever to left, away from bag (A). Grasp cardboard bag collar (C) and pivot collar down until it snaps loose on right side. Remove bag from cleaner and discard.

To Replace Bag:

3. Locate back ledge (B). Place bag collar on ledge.
4. Push up with both thumbs until bag secures on each side. Check to be sure the paper bag collar (C) is secure with the hose adapter (D) inside the paper bag collar.
5. Tuck bag into bottom and along sides.
6. Place tab on lower part of front cover into cleaner slot. Close cover. Make sure disposable bag is not caught under front cover.

Use replacement bag, 61115, Style RR.



Cleaning and Replacing Filters

Motor Filter

Check the motor filter with each disposable dust bag change. Clean or replace as needed. **Never operate without motor filter in place.**

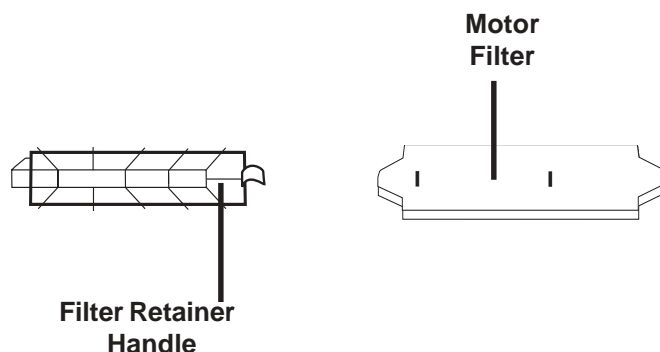
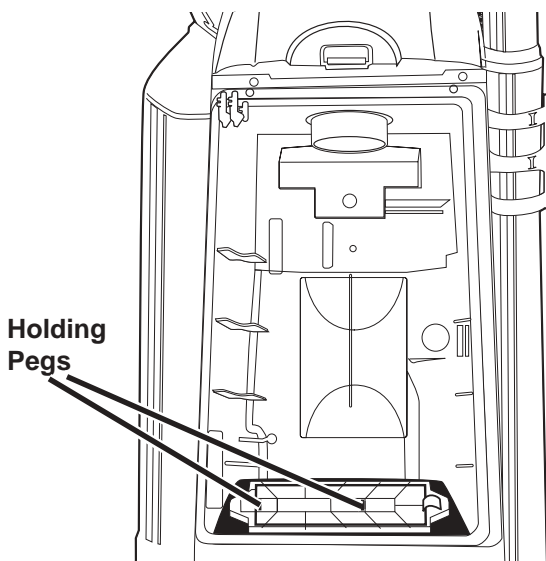
To Clean Motor Filter

1. Lift up on filter retainer handle to remove filter retainer. Then lift up on filter to remove filter from holding pegs.
2. Shake filter to remove excess dust. If necessary, the filter can be cleaned by vacuuming with another cleaner.
3. Reinstall filter, pressing onto holding pegs. Replace filter retainer.

To Replace Motor Filter

1. Remove motor filter retainer and filter from inside bag compartment.
2. Install new filter, by placing on holding pegs. Replace filter retainer.

Use replacement motor filter, 70082.



Cleaning And Replacing Filters (continued)

HEPA Filter

Check the HEPA filter with each disposable dust bag change. **Replace at least twice a year or after every six bag changes.**

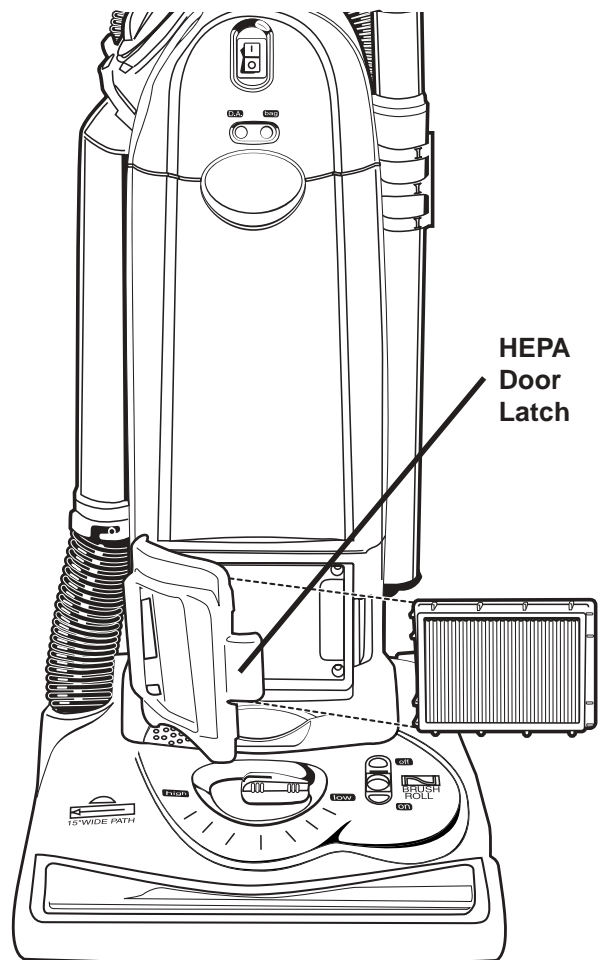
To Remove HEPA Filter - Style HF2

1. Squeeze HEPA door latch and swing open.
2. Remove HEPA filter.

To Replace HEPA Filter

1. Place HEPA filter inside HEPA compartment with rubber seal against the back of the compartment.
2. Replace HEPA door. Push HEPA Door Latch against the unit until it locks into place.

Use replacement HEPA filter, 61111, Style HF2.

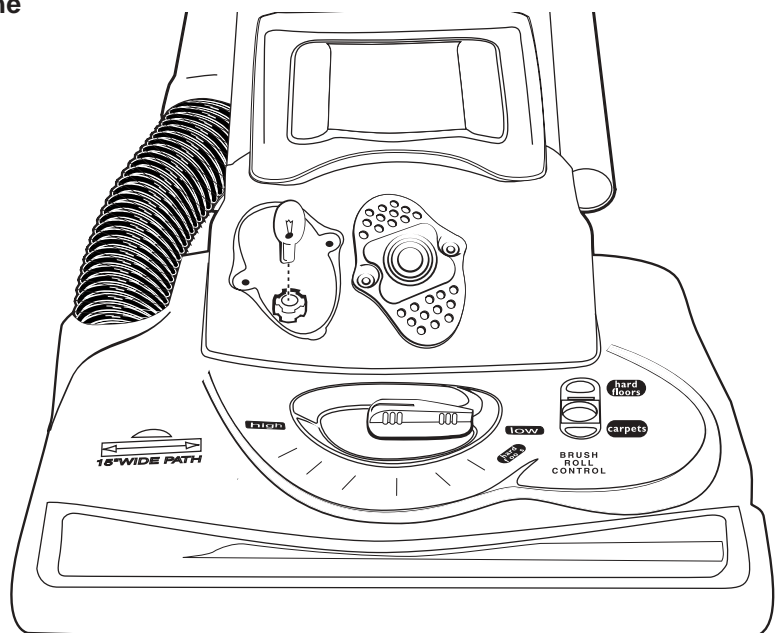


How To Change Light Bulb (only for models with a headlight)

NOTE: Turn off the power switch and disconnect the electrical cord before changing light bulb.

1. Lower handle to remove two screws from lens cover.
2. Pull lens cover from cleaner.
3. Pull up on light bulb to remove.
4. Push new light bulb into socket.
5. Replace lens cover.
6. Secure with two screws.

Use replacement bulb, 57940-2.



PROBLEM SOLVING - Call 1-800-438-7352 for replacement of broken or missing items.

NOTE: Turn off the switch and unplug the electrical cord before servicing.

PROBLEM	CAUSE	SOLUTION
Motor will not start.	<input checked="" type="checkbox"/> Electric Plug	<input type="checkbox"/> Push plug securely into outlet. <input type="checkbox"/> Try another outlet. <input type="checkbox"/> Check circuit breaker.
Motor suddenly stops.	<input checked="" type="checkbox"/> Thermal Cut Off	<input type="checkbox"/> Refer to page 8.
Does not clean the carpet or floor.	<input checked="" type="checkbox"/> Disposable Dust Bag and Filter(s) <input checked="" type="checkbox"/> Belt <input checked="" type="checkbox"/> Brush Roll <input checked="" type="checkbox"/> Hose <input checked="" type="checkbox"/> Brush Roll Control <input checked="" type="checkbox"/> Cleaner Height Setting	<input type="checkbox"/> Change the bag. Hint: If picking up fine dust, the bag may <u>not</u> look full, but a fine substance tends to reduce suction when it blocks the airflow through the paper bag and filter(s). Make sure the dust bag is installed properly. Make sure bag cover is installed properly. <input type="checkbox"/> Replace a cut, or out of shape belt. <input type="checkbox"/> Clean hair and thread from bristles and end cap area. Replace brush roll if bristles are worn. <input type="checkbox"/> Remove any clogs from the hose that restrict the airflow. <input type="checkbox"/> For carpet cleaning make sure brush roll control lever is in carpet position and the hose/floor selector is on floor selection. <input type="checkbox"/> For hard floor cleaning, make sure brush roll control is in hard floor position and hose/floor selector is on floor selection.
No suction at the end of the hose.	<input checked="" type="checkbox"/> Disposable Dust Bag and Filters <input checked="" type="checkbox"/> Hose <input checked="" type="checkbox"/> Hose/Floor Selector	<input type="checkbox"/> Change the bag. Hint: If picking up fine dust, the bag may <u>not</u> look full, but a fine substance tends to reduce suction when it blocks the airflow through the paper bag. <input type="checkbox"/> Check the filters and clean or replace if necessary. <input type="checkbox"/> Remove any clogs from the hose that restrict the airflow. <input type="checkbox"/> Check both ends of the hose. (See pages 10-11) <input type="checkbox"/> Remove any clogs from the clear tubes that restrict the airflow. Check hose/floor selector setting. <input type="checkbox"/> For above floor cleaning, make sure hose/floor selector is on hose.
Headlight not working.	<input checked="" type="checkbox"/> Light Bulb	<input type="checkbox"/> Replace light bulb.
Noise from the brush roll area.	<input checked="" type="checkbox"/> Brush Roll <input checked="" type="checkbox"/> Belt	<input type="checkbox"/> Remove base plate and clean debris from the brush roll area. <input type="checkbox"/> Replace a cut or out of shape belt.
Cleaner is hard to push.	<input checked="" type="checkbox"/> Cleaner Height Setting <input checked="" type="checkbox"/> Belt <input checked="" type="checkbox"/> Brush Roll On/Off	<input type="checkbox"/> Turn adjustment knob to a higher position. Hint: Put handle in operating position. Tilt the cleaner back to raise the front wheels off floor. Then turn the knob. <input type="checkbox"/> Replace a cut or out of shape belt. <input type="checkbox"/> Flip brush roll control lever to carpet position.
Brush roll will not turn.	<input checked="" type="checkbox"/> Belt <input checked="" type="checkbox"/> Brush Roll On/Off	<input type="checkbox"/> Replace cut or out of shape belt. <input type="checkbox"/> Flip brush roll control lever to carpet position. NOTE: Brush roll is not supposed to turn while the vacuum is in the upright position.
Dirt Alert red light will not go off.	<input checked="" type="checkbox"/> New carpet fibers.	<input type="checkbox"/> Over time loose new carpet fibers will diminish and will not trip the dirt alert sensors.
Dirt Alert red light will not come on.	<input checked="" type="checkbox"/> Dirt sensor is not working.	<input type="checkbox"/> Call 1-800-282-2886 8 a.m. to 7:30 p.m., (CST), Monday - Friday and 10 a.m. - 6:30 p.m. (CST) Saturday for the nearest authorized Eureka service center.
Cleaning height knob will not turn.	<input checked="" type="checkbox"/> Cleaner Height Setting	<input type="checkbox"/> Hint: Put handle in operating position. Tilt the cleaner back to raise the front wheels off floor. Then turn the knob.
Bag cover will not shut or close.	<input checked="" type="checkbox"/> No paper bag.	<input type="checkbox"/> A paper bag must be properly installed for the bag cover to close.

THE EUREKA LIMITED WARRANTY

What This Warranty Covers

Your Eureka cleaner is warranted to be free from all defects in material and workmanship in normal household use for a period of one year. The warranty is granted only to the original purchaser and members of his or her immediate household. The warranty is subject to the following provisions.

What This Warranty Does Not Cover

- Parts of the cleaner that require replacement under normal use, such as disposable dust bags, filters, drive belts, light bulbs, brush roll bristles, impellers and cleaning.
- Damages or malfunctions caused by negligence, abuse, or use not in accordance with the Owner's Guide.
- Defects or damages caused by unauthorized service or the use of other than Genuine Eureka parts.

What The Eureka Company Will Do

The Eureka Company will, at its option, repair or replace a defective cleaner or cleaner part that is covered by this warranty. As a matter of warranty policy, the Eureka Company will not refund the consumer's purchase price.

Warranty Registration

Please fill out and return the warranty registration card accompanying your cleaner.

Obtaining Warranty Service

To obtain warranty service you must return the defective cleaner or cleaner part along with proof of purchase to any Eureka Authorized Warranty Station. You will find the nearest location in the Yellow Pages, under "Vacuum Cleaners—Service and Repair." Be certain that the Warranty Station is "Eureka Authorized." For the location of the nearest Eureka Authorized Warranty Station or for service information, telephone toll free:

USA: 1-800-282-2886

Mexico: 5670-6169

Canada: 1-800-282-2886

If you prefer, you can write to The Eureka Company, Service Division, 807 N. Main Street, Bloomington, Illinois 61701, USA. In Canada write to The Eureka Company, 866 Langs Drive, Cambridge, Ontario N3H 2N7.

If it is necessary to ship the cleaner outside your community to obtain warranty repair, you must pay the shipping charges to the Eureka Authorized Warranty Station. Return shipping charges will be paid by the Warranty Station. When returning parts for repair, please include the model, type, and serial number from the data plate on the cleaner.

Further Limitations and Exclusions

Any warranty that may be implied in connection with your purchase or use of the cleaner, including any warranty of Merchantability or any warranty for Fitness For A Particular Purpose is limited to the duration of this warranty. Some states do not allow limitations on how long an implied warranty lasts, so the above limitations may not apply to you.

Your relief for the breach of this warranty is limited to the relief expressly provided above. In no event shall Eureka be liable for any consequential or incidental damages you may incur in connection with your purchase or use of the cleaner. Some states do not allow the exclusion or limitation of incidental or consequential damages, so the above limitation or exclusion may not apply to you.

This warranty gives you specific legal rights. You may also have other rights which vary by state.



Questions & Answers about Genuine Eureka Products

Q: Why should I use only Genuine Eureka paper bags, belts, and parts in my Eureka vacuum cleaner?

A: Using Genuine Eureka Products, which are made to our exacting specifications and engineered with emphasis on quality, performance, and customer satisfaction, ensures the long life and cleaning efficiency of your vacuum cleaner. Overall, this saves you money and helps to keep your home clean.

Q: How can I be sure I am using only genuine Eureka products in my vacuum cleaner?

A: Typically, packaged products and paper bags can be identified by a "Genuine Eureka Product" symbol (see illustration above). For further identification assistance, you may call our toll-free number, 1-800-282-2886, for the location of a nearby Eureka Authorized Warranty Station.

Q: Are there any differences between "made to fit" or "imitation" and Genuine Eureka paper bags, belts, and parts?

A: Yes, there are some very important differences in materials, quality, and reliability. Many customers have mistakenly purchased "imitation" paper bags and parts while thinking they purchased genuine. Unfortunately, many of these customers discovered the differences after they experienced related difficulties.

For Genuine Eureka Value, Accept No Imitations!

THE EUREKA COMPANY

Bloomington, Illinois 61701

Questions?

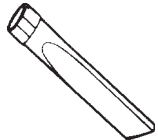
Do Not Return To Store

Call

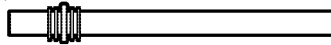
1-800-282-2886

8 a.m. to 7:30 p.m., (CST), Monday - Friday and Saturday 10:00 a.m. - 6:30 p.m. (CST)

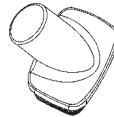
Accessory Items in This Carton



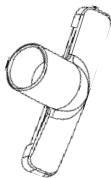
1 crevice tool



1 set of nesting wands



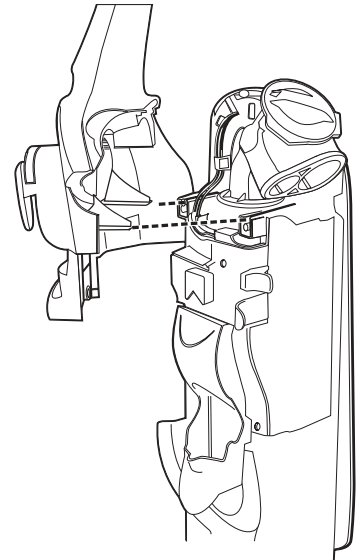
1 dusting brush



1 upholstery nozzle
(on some models)



1 hardware package
(3 screws)



1 vacuum cleaner
handle to be installed
on unit

Thank you for selecting a Eureka cleaner.

Don't Forget to Use Genuine Eureka Bags and Belts

Caution: Damages caused by the use of non-genuine Eureka bags are not covered by the Eureka Limited Warranty.