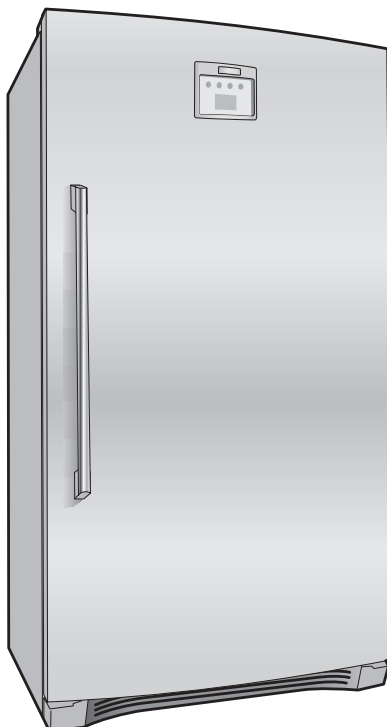


Use & Care Guide

Freezer



 **Electrolux**

Please read and save this guide

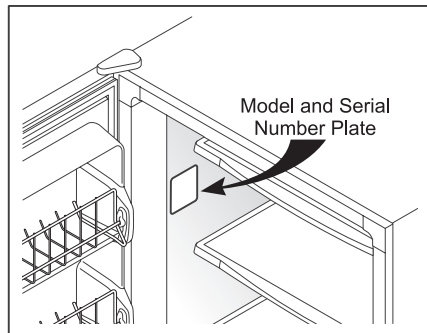
Thank you for choosing Electrolux, our new premium brand in home appliances. This Use & Care Guide is part of our commitment to customer satisfaction and product quality throughout the service life of your new appliance.

Keep a record for quick reference

Purchase date

Electrolux model number

Electrolux serial number



NOTE

Registering your product with Electrolux enhances our ability to serve you. You can register online at www.electroluxusa.com or by dropping your Product Registration Card in the mail.

Questions?

For toll-free telephone support in the U.S. and Canada: 1-877-4ELECTROLUX (1-877-435-3287)

For online support and product information visit <http://www.electroluxusa.com>

Table of contents

Finding Information	2
Please Read And Save This Guide.....	2
Keep A Record For Quick Reference	2
Questions	2
Table Of Contents.....	2
Safety	3
Important Safety Instructions	3
Electrical Information.....	4
Feature Overview	5
Understanding Features And Terms - 17 Cu. Ft. Model.....	5
Understanding Features And Terms - 21 Cu. Ft. Model.....	6
Installation	7
Location	7
Door Opening	7
Leveling	7
Door Removal.....	8
Ice Maker Installation.....	8
Setting The Temperature Controls	9
Freezer Features	10
Interior Light	10
Full Access Wire Basket.....	10
SeCurity Lock With Pop-Out Key	10
Adjustable Glass Shelf	10
Basket Divider.....	10
Pizza Shelf	10
Small Item Shelf	10
Tilt-Out Shelf.....	10
Storing Food & Saving Energy	11
Ideas For Saving Energy	11
Vacation And Moving Tips	11
Power Failure / Freezer Failure.....	11
Ice Service	12
Turning Your Ice Maker On	12
Turning Your Ice Maker Off.....	12
Ice Maker Tips	12
Care & Cleaning	13
Protecting Your Investment	13
Care & Cleaning Chart.....	13
Warranty Information	14
Solutions To Common Problems	15

Important safety instructions

WARNING

Please read all safety instructions before using your new freezer.

General Safety

- Do not store or use gasoline, or other flammable liquids, near this or any other appliance. Read product labels for warnings regarding flammability and other hazards.
- Do not operate the freezer in the presence of explosive fumes.

Child Safety

- Destroy carton, plastic bags, and any exterior wrapping material immediately after the freezer is unpacked. Children should never use these items to play. Cartons covered with rugs, bedspreads, plastic sheets or stretch wrap may become airtight chambers and can quickly cause suffocation.
- Remove all staples from the carton. Staples can cause severe cuts, and destroy finishes if they come in contact with other appliances or furniture.
- An empty, discarded ice box, refrigerator or freezer is a very dangerous attraction to children.
- Remove or discard any spacers used to secure the shelves during shipping. Small objects are a choke hazard to children.
- Remove the door(s) of any appliance that is not in use, even if it is being discarded.

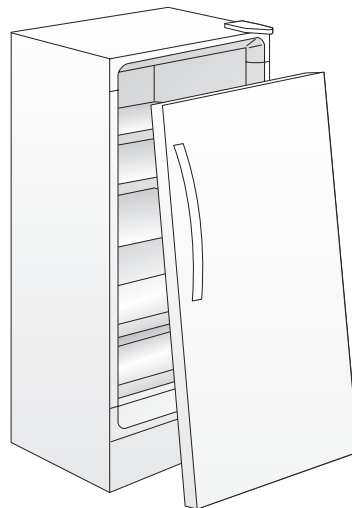
Proper Disposal Of Refrigerators/Freezers

Before you throw away your old refrigerator/freezer:

RISK OF CHILD ENTRAPMENT

Child entrapment and suffocation are not problems of the past. Junked or abandoned refrigerators or freezers are still dangerous - even if they will sit for "just a few days". If you are getting rid of your old refrigerator or freezer, please follow the instructions below to help prevent accidents:

- Remove the doors.
- Leave the shelves in place so children may not easily climb inside.
- Have refrigerant removed by a qualified service technician.



Electrical information

WARNING

You must follow these guidelines to ensure that your freezer's safety mechanisms are operating correctly.

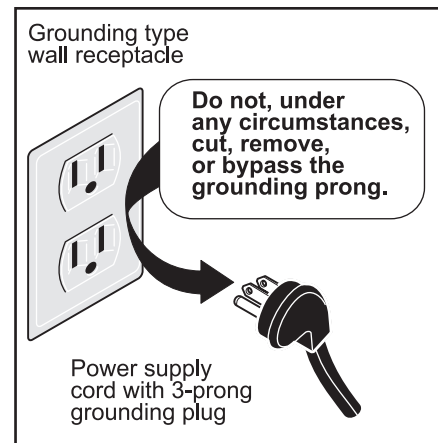
- Refer to the serial plate for correct electrical rating. The power cord of the freezer is equipped with a three-prong grounding plug for protection against shock hazards. It must be plugged directly into its own properly grounded three-prong receptacle, protected with a 15 amp time delay fuse or circuit breaker. The power supply circuit must be installed in accordance with current edition of the National Electrical Code (NFPA 70) and local codes and ordinances. Consult a qualified electrician. Receptacles protected by Ground Fault Circuit Interrupters (GFCI) are NOT RECOMMENDED. DO NOT USE AN EXTENSION CORD OR AN ADAPTER PLUG.
- If the voltage varies by 10 percent or more, refrigerator performance may be affected. Operating the freezer with insufficient power can damage the motor. Such damage is not covered under the warranty. If you suspect your household voltage is high or low, consult your power company for testing.
- To prevent the freezer from being turned off accidentally, do not plug the unit into an outlet controlled by a wall switch or pull cord.
- Unplug the freezer before cleaning and before replacing a light bulb to avoid electrical shock.
- Do not pinch, knot, or bend the power cord in any manner.

OTHER PRECAUTIONS

- Never unplug the freezer by pulling on the power cord. Always grip the plug firmly and pull straight out from the receptacle.
- Turning the control to "OFF" turns off the compressor but does not disconnect power to the light bulb or other electrical components.

WARNING

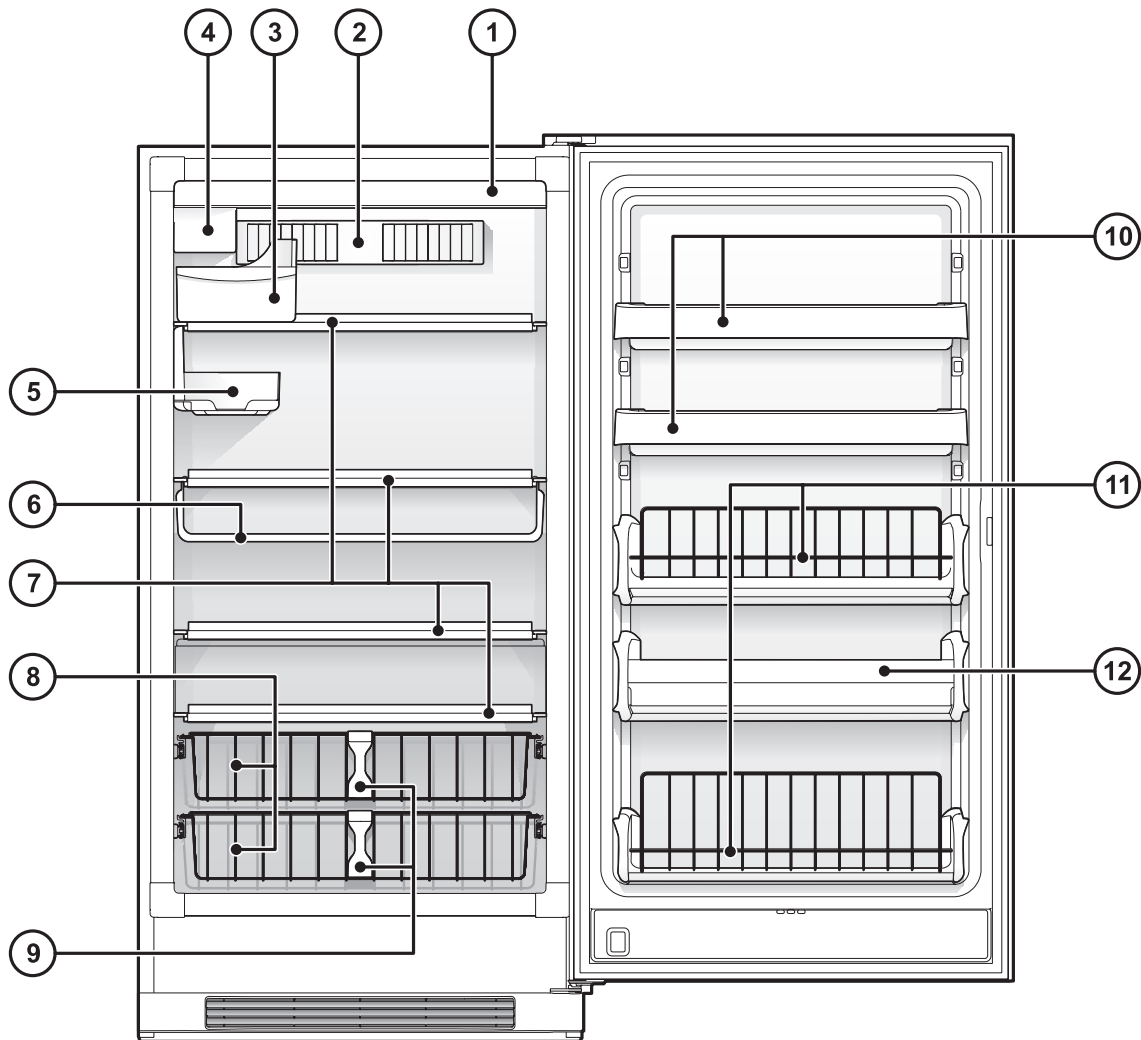
Avoid fire hazard or electric shock. Do not use an extension cord or adapter plug. DO NOT remove any prong from the power cord.



Understanding Features And Terms

Your Electrolux freezer is designed for optimal convenience and storage flexibility. Use the illustration below to familiarize yourself with product features and terminology.

17 CU. FT MODEL



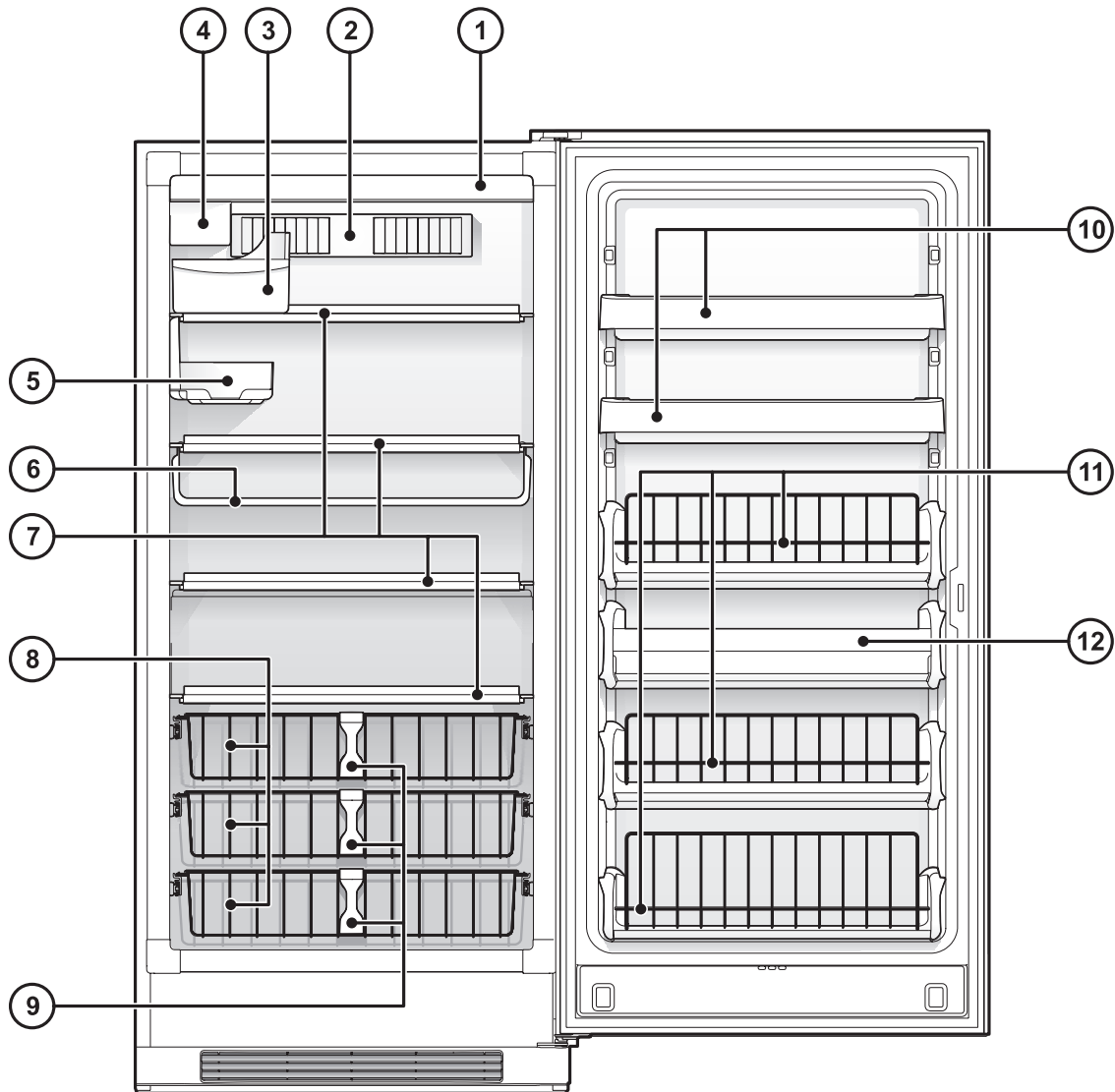
1	LIGHT SHIELD	7	GLASS SHELVES
2	AIR DIFFUSER	8	FULL ACCESS BASKETS
3	ICE BUCKET	9	BASKET DIVIDERS
4	ICE MAKER	10	ADJUSTABLE DOOR BINS
5	SMALL ITEMS SHELF	11	WIRE TILT OUTS
6	PIZZA SHELF	12	CONTOUR DOOR SHELF

Features may vary according to model.

Understanding Features And Terms

Your Electrolux freezer is designed for optimal convenience and storage flexibility. Use the illustration below to familiarize yourself with product features and terminology.

21 CU. FT MODEL



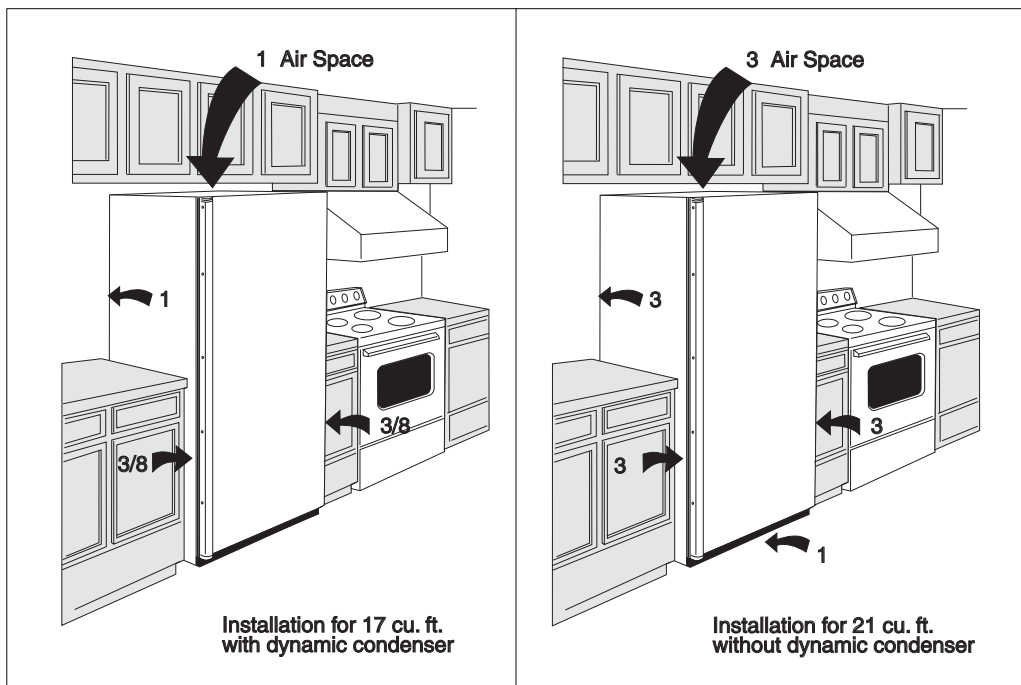
1	LIGHT SHIELD	7	GLASS SHELVES
2	AIR DIFFUSER	8	FULL ACCESS BASKETS
3	ICE BUCKET	9	BASKET DIVIDERS
4	ICE MAKER	10	ADJUSTABLE DOOR BINS
5	SMALL ITEMS SHELF	11	WIRE TILT OUTS
6	PIZZA SHELF	12	CONTOUR DOOR SHELF

Features may vary according to model.

Location

This Use & Care Guide provides general operating instructions for your model. Use the freezer only as instructed in this Use & Care Guide. **Before starting the freezer, follow these important first steps.**

- Choose a place that is near a grounded electrical outlet. **DO NOT** use an extension cord or an adapter plug.
- For most efficient operation, the freezer should be located where surrounding temperatures will not drop below 40°F (5°C) or exceed 110°F (43°C).
- For ease of installation, proper air circulation and electrical connections, refer to the illustration for recommended clearances.
- For dynamic condenser models, **DO NOT** block the toe grille on the lower front of your freezer. Sufficient air circulation is essential for the proper operation of your freezer.



NOTE

The exterior walls of the freezer may become quite warm as the compressor works to transfer heat from the inside. Temperatures as much as 30°F warmer than room temperatures can be expected.

Door Opening



NOTE

If your freezer is placed with the door hinge side against a wall, you may have to allow additional space so the door can be opened wider.

Leveling

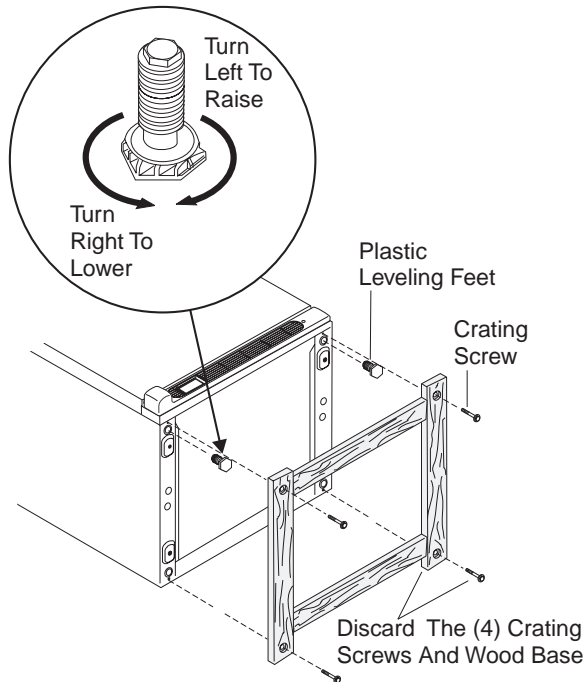
The freezer must have all bottom corners resting firmly on a solid floor. The floor must be strong enough to support a fully loaded freezer. It is **VERY IMPORTANT** for your freezer to be level in order to function properly. If the freezer is not leveled during installation, the door may be misaligned and not close or seal properly, causing cooling, frost or moisture problems.

To Level Freezer:

After discarding crating screws and wood base, use a carpenter's level to level the freezer from front to back. Adjust the plastic leveling feet in front, 1/2

Installation

bubble higher, so that the door closes easily when left halfway open.



WARNING

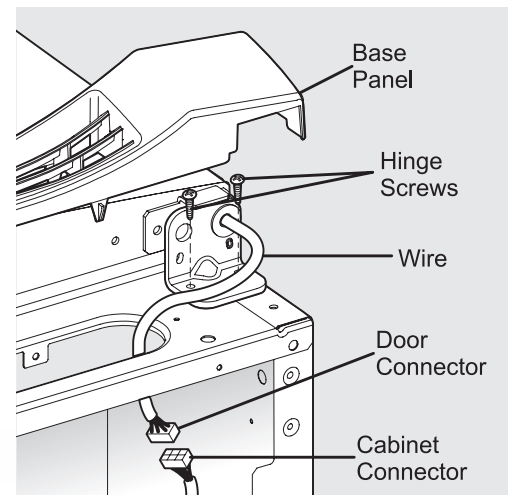
To allow door to close and seal properly, do not let food packages extend past the front of the shelves.



Door Removal

If door must be removed:

- Unplug the unit
- Gently lay freezer on its back, on a rug or blanket.
- Using a flat-tipped screwdriver, reach underneath the base panel and gently pry loose each retainer tab. Remove base panel. Remove wire from clips on bottom of cabinet.
- Unplug connector by holding the cabinet connector in place and pulling the door connector out.
- Remove the bottom hinge screws.
- Remove the plastic top hinge cover.
- Remove the screws from the top hinge.
- Remove the top hinge from the cabinet.
- Remove the door and bottom hinge from the cabinet.
- To replace door, reverse the above procedures and securely tighten all screws to prevent hinge slippage.



Ice Maker Installation

If your freezer has an automatic ice maker, please refer to the insert in the bond pack that came with your freezer (INSTALLATION-CONNECTING ICE MAKER TO WATER SUPPLY) to correctly hook-up your ice maker.

Setting the Temperature Controls

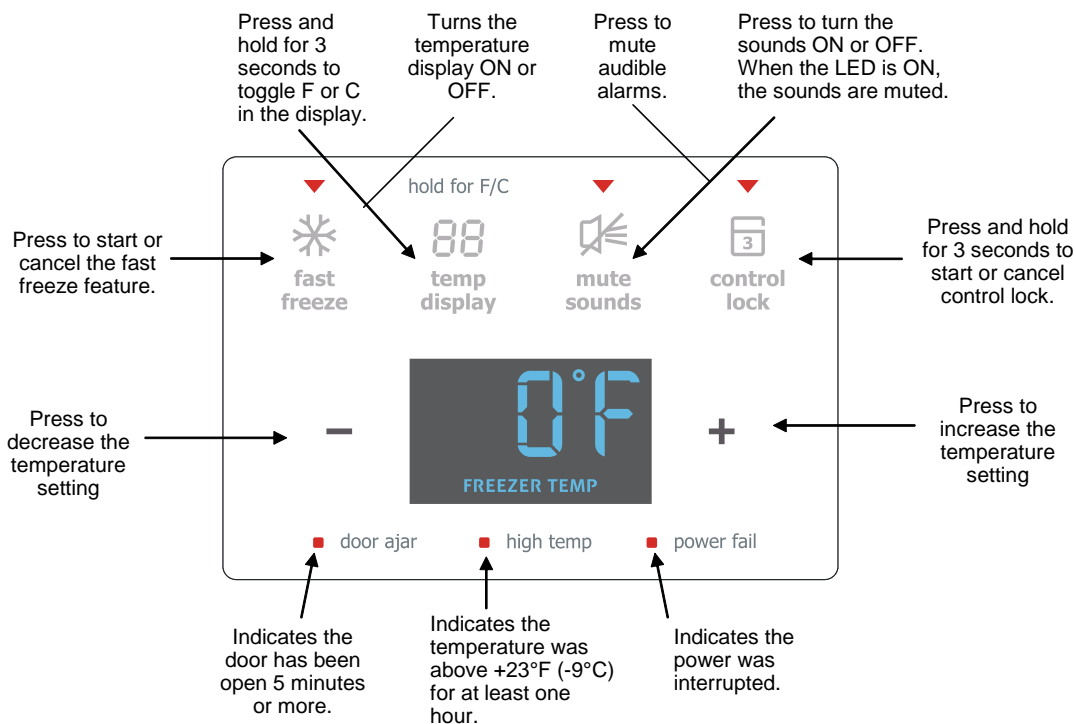
Cool Down Period

For safe food storage, allow four (4) hours for freezer to cool down completely. The freezer will run continuously for the first several hours.

Electronic Temperature Control

The electronic temperature control is located on the freezer door. Temperature is factory preset to provide satisfactory food storage temperatures. Refer to the **SETTING FREEZER CONTROL Quick Reference Guide** below for more details.

SETTING FREEZER CONTROL



ALARM FUNCTION TABLE

Display	Priority	Visual Alarm	Alarm Status	Action(s) Required
"HI"	3	"HI Temp" LED ON and mute sounds LED flashes	Freezer temperature over the safe limit	Press the mute sounds key to stop the audible alarm
Alternating "E1" and temperature	2	mute sounds LED flashes; 1 second set temperature, 1 second "E1"	Fail Safe Mode	Check thermistor status
Alternating "CE" and temperature	1	mute sounds LED flashes; 1 second set temperature, 1 second "CE"	Communication Error	Press the mute sounds key to stop the audible alarm Check connection between UI and ECU. Press the mute sounds key to stop the audible alarm
Alternating "E2" and temperature	4	mute sounds LED flashes; 1 second set temperature, 1 second "E2"	Stuck Key Error	Check membrane keys. Press the mute sounds key to stop the audible alarm
Actual Temperature	6	power fail LED on and mute sounds LED flashes	Cabinet greater than 10 degrees over the SET TEMP. at power up.	Press the mute sounds key to stop the audible alarm
Set Temperature	5	door ajar LED on and mute sounds LED flashes	Door open for more than 5 minutes	Press the mute sounds key to stop the audible alarm

Interior Light

The light comes on automatically when the door is opened. To replace the light bulb, turn the temperature control to "OFF" and unplug the electrical cord. Replace the old bulb with a bulb of the same type and wattage.

Full Access Wire Basket

The Full Access Wire Basket, located at the bottom of the freezer, provides separate storage space for items that are difficult to store on freezer shelves.

Security Lock with Pop-Out Key

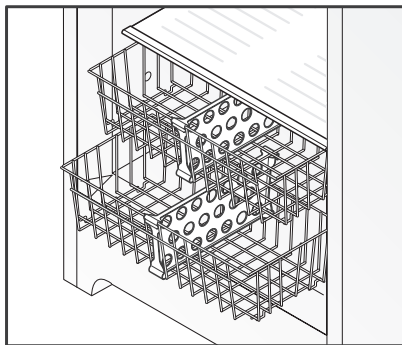
This security lock fastens the door snug, ensuring the stored food is secure. To lock or unlock the freezer, push the key into the lock and turn. The key pops out of the lock after it has been turned.

Adjustable Glass Shelf

This shelf can be moved one of two positions. Lift the shelf up and out to move to the desired position.

Basket Divider

Use these handy dividers to keep the various items stored in your baskets more organized. To change the location of the divider simply slide your basket out, lift up on each end of the divider until it is disengaged from the basket, place divider in the desired location (make sure it is between two vertical wires) and press down firmly on each end until it snaps into place.

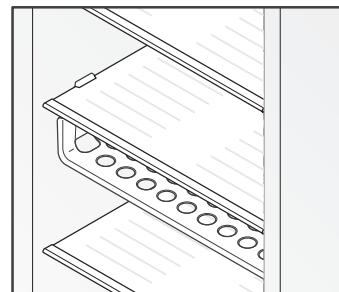


Pizza Shelf

Here is the place to store up to four extra-large boxes of frozen pizza without ever having to dig them out from beneath a pile of other stored goods. To change the location of the pizza shelf: support the bottom center of the shelf with one hand and use your other hand to gently ease each support tab outward until they have all dropped between the edge of the shelf and the liner wall. It may help

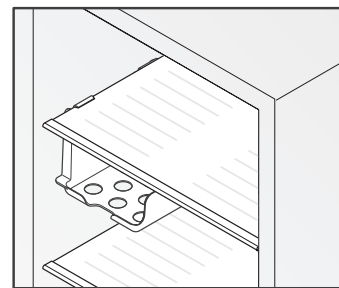
to slide the supporting shelf slightly to the side opposite that in which you are removing the tabs in order to get a larger gap between the edge of the supporting shelf and the liner wall.

Next, locate the pizza shelf beneath the shelf nearest your desired location and snap each tab upwards between the wire or glass shelf and liner until the tab has snapped into place and is resting on top of the supporting shelf. Repeat for each tab until all four are firmly in place and then load with desired items.



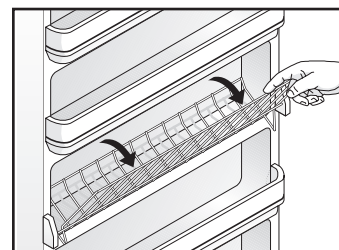
Small Item Shelf

Use this shelf to store several of your single-serving microwavable dinners or other small items that you want to keep in an easy-to-reach spot.



Tilt-Out Shelf

This shelf is located inside on the freezer door and provides additional storage space. To access an item, tilt the top of the "basket" shelf down.



Ideas for Saving Energy

- Locate the freezer in the coolest part of the room, out of direct sunlight, and away from heating ducts or registers. Do not place the freezer next to heat-producing appliances such as a range, oven, or dishwasher. If this is not possible, a section of cabinetry or an added layer of insulation between the two appliances will help the freezer operate more efficiently.
- Level the freezer so that the door closes tightly.
- Refer to the “SETTING THE TEMPERATURE CONTROL” section for the suggested temperature control settings.
- Do not overcrowd the freezer or block cold air vents. Doing so causes the freezer to run longer and use more energy.
- Cover foods and wipe containers dry before placing them in the freezer. This cuts down on moisture build-up inside the unit.
- Organize the freezer to reduce door openings. Remove as many items as needed at one time and close the door as soon as possible.

Vacation and Moving Tips

Short Vacations:

- Leave the freezer operating during vacations of less than three weeks.

Long Vacations:

If the freezer will not be used for several months:

- Remove all food and unplug the power cord.
- Clean and dry the interior thoroughly.
- Leave the freezer door open slightly, blocking it open if necessary, to prevent odor and mold growth.

Moving: When moving the freezer, follow these guidelines to prevent damage:

- Disconnect the power cord plug from the wall outlet.
- Remove foods, then defrost, and clean the freezer.

- Secure all loose items such as base panel, baskets, and shelves by taping them securely in place to prevent damage.
 - In the moving vehicle, secure freezer in an upright position to prevent movement. Also protect outside of freezer with a blanket, or similar item.

Power Failure / Freezer Failure

If a power failure occurs, frozen foods will stay frozen for at least 24 hours if the freezer is kept closed. If the power failure continues, pack seven or eight pounds of dry ice into the freezer every 24 hours. Look in the Yellow Pages under Dry Ice, Dairies or Ice Cream Manufacturers for local dry ice suppliers. Always wear gloves and use caution when handling dry ice.

If the freezer has stopped operating, see “FREEZER DOES NOT RUN” in the “SOLUTIONS TO COMMON PROBLEMS” section. If you cannot solve the problem, call Electrolux Service immediately.

If the freezer remains off for several hours, follow the directions above for the use of dry ice during a power failure. If necessary, take the food to a local locker plant until the freezer is ready to operate. Look in the Yellow Pages under Frozen Food Locker Plants.

Ice Service

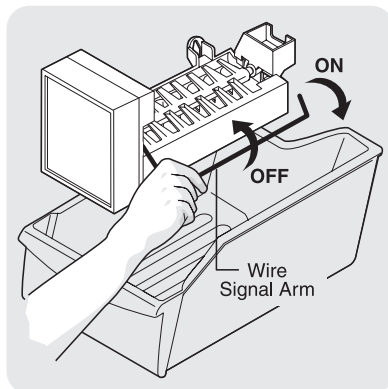
If your freezer has an automatic icemaker, it will provide a sufficient supply of ice for normal use. During the initial startup of your freezer, however, no ice will be produced during the first 24 hours of operation. Automatic ice makers are also optional accessories that may be installed in some models at any time. Call your local dealer for information.

Turning Your Ice Maker On

After the plumbing connections have been completed, the water supply valve must be opened. Place the ice container under the ice maker, pushing it as far back as possible. Lower the wire signal arm to its “down” or ON position. New plumbing connections may cause the first production of ice cubes to be discolored or have an odd flavor. These first cubes should be discarded until the cubes produced are free of discoloration and taste.

Turning Your Ice Maker Off

To stop the ice maker, lift the wire signal arm until it clicks and locks in the “up” or OFF position. The ice maker also turns off automatically when the ice container is full. If your model has an adjustable freezer shelf, place the shelf in the lower position, so that the wire signal arm will hit the ice when the container is full.



CAUTION

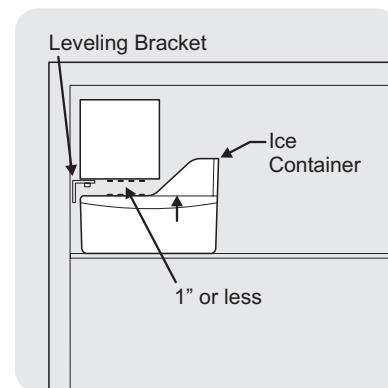
- When moving the freezer, pull straight out. Do not shift the freezer from side to side as this may tear or gouge the floor covering.
- Damp objects stick to cold metal surfaces. Do not touch interior metal surfaces with wet or damp hands.



IMPORTANT

Your ice maker is shipped with the wire signal arm in the ON position. To ensure proper function of your ice maker, hook up water supply immediately or turn ice maker OFF by lifting the wire signal arm until it clicks and locks in the UP position.

Check the leveling bracket on the ice maker to ensure the ice maker is level. If the gap between the freezer wall and the ice maker is the same at top and bottom, then ice maker is level. If the ice maker is not level, loosen the screw and slide the bracket to the correct position to make it level. Retighten the screw. You will need a 1/4 inch socket wrench for this task.



Ice Maker Tips

- Ice cubes stored too long may develop an odd flavor. Empty the ice container and ensure that the wire signal arm is in its “down” or ON position. The ice maker will then produce more ice.
- Occasionally shake the ice container to keep ice separated.
- Keep the wire signal arm in its “up” or OFF position until the freezer is connected to the water supply or whenever the water supply is turned off.
- The following sounds are normal when the ice maker is operating:
 - Motor running
 - Ice loosening from tray
 - Ice dropping into ice container
 - Running water
 - Water valve opening or closing

Protecting your investment

Keep your freezer clean to prevent odor build-up. Wipe up any spills immediately and clean at least twice a year. Never use metallic scouring pads, brushes, abrasive cleaners or strong alkaline solutions on any surface. Do not wash any removable parts in a dishwasher. Always unplug the electrical power cord from the wall outlet before cleaning.

CAUTION

- Pull the freezer straight out to move it. Shifting it from side to side may damage flooring.
- Damp objects stick to cold metal surfaces. Do not touch refrigerated surfaces with wet or damp hands.

NOTE

- Turning the freezer temperature control to “OFF” turns off the compressor, but does not disconnect electrical power to the light bulb or other electrical components. To turn off power to your freezer, you must unplug the power cord from the wall outlet.
- Do not use razor blades or other sharp instruments which can scratch the appliance surface when removing adhesive labels. Any glue left from tape or labels can be removed with a mixture of warm water and mild detergent, or, touch the glue residue with the sticky side of tape you have already removed. Do not remove the serial plate.

Part	Cleaning Agents	Tips and Precautions
Interior & Door Liners	<ul style="list-style-type: none"> • Soap and water • Baking soda and water 	<ul style="list-style-type: none"> • Use 2 tablespoons of baking soda in 1 quart of warm water. • Be sure to wring excess water out of sponge or cloth before cleaning around controls, light bulb or any electrical part.
Door Gaskets	<ul style="list-style-type: none"> • Soap and water 	<ul style="list-style-type: none"> • Wipe gaskets with a clean soft cloth.
Drawers & Bins	<ul style="list-style-type: none"> • Soap and water 	<ul style="list-style-type: none"> • Use a soft cloth to clean drawer runners and tracks. • Do not wash any removable items (bins, drawers, etc.) in dishwasher.
Glass Shelves	<ul style="list-style-type: none"> • Soap and water • Glass cleaner • Mild liquid sprays 	<ul style="list-style-type: none"> • Allow glass to warm to room temperature before immersing in warm water.
Exterior & Handles	<ul style="list-style-type: none"> • Soap and water • Non Abrasive Glass Cleaner 	<ul style="list-style-type: none"> • Do not use commercial household cleaners, ammonia, or alcohol to clean handles. • Use a soft cloth to clean smooth handles. • Do not use a dry cloth to clean smooth doors.
Exterior & Handles (Stainless Steel Models Only)	<ul style="list-style-type: none"> • Soap and water • Ammonia • Stainless Steel Cleaners 	<ul style="list-style-type: none"> • Never use CHLORIDE to clean stainless steel. • Clean stainless steel front and handles with non-abrasive soapy water and a dishcloth. Rinse with clean water and a soft cloth. • Wipe stubborn spots with an ammonia-soaked paper towel, and rinse. Use a non-abrasive stainless steel cleaner. These cleaners can be purchased at most home improvement or major department stores. Always follow manufacturer's instruction. • NOTE: Always, clean, wipe and dry with grain to prevent cross-grain scratching. • Wash the rest of the cabinet with warm water and mild liquid detergent. Rinse well, and wipe dry with a clean soft cloth.

Major Appliance Warranty Information

Your appliance is covered by a one year limited warranty. For one year from your original date of purchase, Electrolux will repair or replace any parts of this appliance that prove to be defective in materials or workmanship when such appliance is installed, used, and maintained in accordance with the provided instructions. In addition, the cabinet liner and sealed refrigeration system (compressor, condenser, evaporator, dryer or tubing) of your appliance is covered by a two through five year limited warranty. During the 2nd through 5th years from your original date of purchase, Electrolux will repair or replace any parts in the cabinet liner and sealed refrigeration system which prove to be defective in materials or workmanship when such appliance is installed, used, and maintained in accordance with the provided instructions.

Exclusions

This warranty does not cover the following:

1. Products with original serial numbers that have been removed, altered or cannot be readily determined.
2. Product that has been transferred from its original owner to another party or removed outside the USA or Canada.
3. Rust on the interior or exterior of the unit.
4. Products purchased "as-is" are not covered by this warranty.
5. Food loss due to any refrigerator or freezer failures.
6. Products used in a commercial setting.
7. Service calls which do not involve malfunction or defects in materials or workmanship, or for appliances not in ordinary household use or used other than in accordance with the provided instructions.
8. Service calls to correct the installation of your appliance or to instruct you how to use your appliance.
9. Expenses for making the appliance accessible for servicing, such as removal of trim, cupboards, shelves, etc., which are not a part of the appliance when it is shipped from the factory.
10. Service calls to repair or replace appliance light bulbs, air filters, water filters, other consumables, or knobs, handles, or other cosmetic parts.
11. Pickup and delivery costs; your appliance is designed to be repaired in the home.
12. Surcharges including, but not limited to, any after hour, weekend, or holiday service calls, tolls, ferry trip charges, or mileage expense for service calls to remote areas, including the state of Alaska.
13. Damages to the finish of appliance or home incurred during transportation or installation, including but not limited to floors, cabinets, walls, etc.
14. Damages caused by: services performed by unauthorized service companies; use of parts other than genuine Electrolux parts or parts obtained from persons other than authorized service companies; or external causes such as abuse, misuse, inadequate power supply, accidents, fires, or acts of God.

DISCLAIMER OF IMPLIED WARRANTIES; LIMITATION OF REMEDIES

CUSTOMER'S SOLE AND EXCLUSIVE REMEDY UNDER THIS LIMITED WARRANTY SHALL BE REPAIR OR REPLACEMENT AS PROVIDED HEREIN. **CLAIMS BASED ON IMPLIED WARRANTIES, INCLUDING WARRANTIES OF MERCHANTABILITY OR FITNESS FOR A PARTICULAR PURPOSE, ARE LIMITED TO ONE YEAR OR THE SHORTEST PERIOD ALLOWED BY LAW, BUT NOT LESS THAN ONE YEAR.** ELECTROLUX SHALL NOT BE LIABLE FOR CONSEQUENTIAL OR INCIDENTAL DAMAGES SUCH AS PROPERTY DAMAGE AND INCIDENTAL EXPENSES RESULTING FROM ANY BREACH OF THIS WRITTEN LIMITED WARRANTY OR ANY IMPLIED WARRANTY. SOME STATES AND PROVINCES DO NOT ALLOW THE EXCLUSION OR LIMITATION OF INCIDENTAL OR CONSEQUENTIAL DAMAGES, OR LIMITATIONS ON THE DURATION OF IMPLIED WARRANTIES, SO THESE LIMITATIONS OR EXCLUSIONS MAY NOT APPLY TO YOU. THIS WRITTEN WARRANTY GIVES YOU SPECIFIC LEGAL RIGHTS. YOU MAY ALSO HAVE OTHER RIGHTS THAT VARY FROM STATE TO STATE.

If You Need Service

Keep your receipt, delivery slip, or some other appropriate payment record to establish the warranty period should service be required. If service is performed, it is in your best interest to obtain and keep all receipts. Service under this warranty must be obtained by contacting Electrolux at the addresses or phone numbers below.

This warranty only applies in the USA, Puerto Rico and Canada. In the USA and Puerto Rico, your appliance is warranted by Electrolux Major Appliances North America, a division of Electrolux Home Products, Inc. In Canada, your appliance is warranted by Electrolux Canada Corp. Electrolux authorizes no person to change or add to any obligations under this warranty. Obligations for service and parts under this warranty must be performed by Electrolux or an authorized service company. Product features or specifications as described or illustrated are subject to change without notice.

USA

1-877-435-3287

Electrolux Major Appliances North America
P.O. Box 212378
Augusta, GA 30907

Canada

1-800-265-8352

Electrolux Canada Corp.
5855 Terry Fox Way
Mississauga, Ontario, Canada L5V 3E4

TROUBLESHOOTING GUIDE	Before calling for service, review this list. It may save you time and expense. This list includes common occurrences that are not the result of defective workmanship or materials in this Freezer.	
PROBLEM	CAUSE	CORRECTION
FREEZER OPERATION		
Freezer does not run.	* Freezer is plugged into a circuit that has a ground fault interrupt.	* Use another circuit. If you are unsure about the outlet, have it checked by a certified technician.
	* Temperature control is in the "OFF" position.	* See " SETTING THE TEMPERATURE CONTROL " section.
	* Freezer may not be plugged in, or plug may be loose.	* Ensure plug is tightly pushed into outlet.
	* House fuse blown or tripped circuit breaker.	* Check/replace fuse with a 15 amp time delay fuse. Reset circuit breaker.
	* Power outage.	* Check house lights. Call local Electric Company.
Freezer runs too much or too long.	* Room or outside weather is hot.	* It's normal for the Freezer to work harder under these conditions.
	* Freezer has recently been disconnected for a period of time.	* It takes 24 hours for the Freezer to cool down completely.
	* Large amount of warm or hot food have been stored recently.	* Warm food will cause Freezer to run more until the desired temperature is reached.
	* Door is opened too frequently or kept open too long.	* Warm air entering the Freezer causes it to run more. Open the door less often.
	* Freezer door may be slightly open.	* See " DOOR PROBLEMS ".
	* Temperature control is set too low.	* Turn control knob to a warmer setting. Allow several hours for the temperature to stabilize.
	* Freezer gaskets are dirty, worn, cracked or poorly fitted.	* Clean or change gasket. Leaks in the door seal will cause Freezer to run longer in order to maintain desired temperature.
Interior Freezer temperature is too cold.	* Temperature control is set too low.	* Turn control knob to a warmer setting. Allow several hours for the temperature to stabilize.
Interior Freezer temperature is too warm.	* Temperature control is set too warm.	* Turn control knob to a colder setting. Allow several hours for the temperature to stabilize.
	* Door is opened too frequently or kept open too long.	* Warm air entering the Freezer causes it to run more. Open the door less often.
	* Freezer door may be slightly open.	* See " DOOR PROBLEMS ".
	* Large amount of warm or hot food have been stored recently.	* Wait until the Freezer has had a chance to reach its selected temperature.
	* Freezer has recently been disconnected for a period of time.	* Freezer requires 24 hours to cool down completely.
Freezer external surface temperature is warm.	* The external Freezer walls can be as much as 30°F warmer than room temperature.	* This is normal while the compressor works to transfer heat from inside the Freezer cabinet.
SOUND AND NOISE		
Louder sound levels whenever Freezer is on.	* Modern Freezers have increased storage capacity and more stable temperatures. They require heavy duty compressors.	* This is normal. When the surrounding noise level is low, you might hear the compressor running while it cools the interior.
Louder sound levels when compressor comes on.	* Freezer operates at higher pressures during the start of the ON cycle.	* This is normal. Sound will level off or disappear as Freezer continues to run.
Popping or cracking sound when compressor comes on.	* Metal parts undergo expansion and contraction, as in hot water pipes.	* This is normal. Sound will level off or disappear as Freezer continues to run.

PROBLEM	CAUSE	CORRECTION
SOUND AND NOISE (Cont.)		
Bubbling or gurgling sound.	* Refrigerant (used to cool Freezer is circulating throughout the system.	* This is normal.
Vibrating or rattling noise.	* Freezer is not level. It rocks on the floor when it is moved slightly.	* Level the Freezer. Refer to "LEVELING" in the "FIRST STEPS" section.
	* Floor is uneven or weak.	* Ensure floor can adequately support Freezer. Level the Freezer by putting wood or metal shims under part of the Freezer.
	* Freezer is touching the wall.	* Re-level Freezer or move Freezer slightly. Refer to "LEVELING" in the "FIRST STEPS" section.
WATER / MOISTURE / FROST INSIDE FREEZER		
Moisture forms on inside Freezer walls.	* Weather is hot and humid, which increases internal rate of frost build-up.	* This is normal.
	* Door is slightly open.	* See " DOOR PROBLEMS ".
	* Door is kept open too long or is opened too frequently.	* Open the door less often.
ODOR IN FREEZER		
Odors in Freezer.	* Interior needs to be cleaned.	* Clean interior with sponge, warm water, and baking soda. Replace air filter.
	* Foods with strong odors are in the Freezer.	* Cover the food tightly.
DOOR PROBLEMS		
Door will not close.	* Freezer is not level. It rocks on the floor when it is moved slightly.	* This condition can force the cabinet out of square and misalign the door. Refer to " LEVELING " in the " FIRST STEPS " section.
	* Floor is uneven or weak.	* Ensure floor can adequately support Freezer. Level the Freezer by putting wood or metal shims under part of the Freezer.
LIGHTING PROBLEMS		
Light bulb is not on.	* The fluorescent lamp or light bulb is burned out.	* Follow directions under "INTERIOR LIGHTING" or "MID LEVEL LIGHTING" in the "Freezer FEATURES" section.
	* No electric current is reaching the Freezer.	* See "Freezer DOES NOT RUN".