

Thinking of you

 **Electrolux**

electrolux oxygen
central vacuum system



owners manual
Type K



Important Safeguards	2
General Information	3
Installation	3
System Test.....	4
How to use.....	4
LED Indications	4
LCD Screen.....	4
Bag Adaptor.....	5
Utility Valve	5
Overheating Protection	5
Overload Protection.....	5
Diagnostics And Maintenance	5
Filter Maintenance	6
Paper Bag Filter.....	6
Trouble Shooting	6
Images	7



IMPORTANT SAFEGUARDS

When using an electronic appliance, basic precautions should always be followed, including the following:

READ ALL INSTRUCTIONS BEFORE USING THIS VACUUM CLEANER SYSTEM.

This central vacuum power unit is intended for the removal of normal household dust.

WARNING

To reduce the risk of fire, electric shock or injury:

- Do not use outdoors or on wet surfaces.
- Do not block the motor hood or ventilation openings and duct on the top of the power unit. Lack of ventilation airflow will cause the motor to overheat.
- Do not locate the power unit in a high temperature area or where it is inaccessible, for example, an attic or crawl space.
- Mount the power unit no less than 30cm from the ceiling or any adjacent wall and at least 70cm from the floor. Additionally, review any local codes and regulations that may apply.
- Do not allow to be used as a toy. Close attention is necessary when used by or near children.
- This appliance is not intended for use by persons (including children) with reduced physical, sensory, or mental capabilities, or lack of experience and knowledge, unless they have been given supervision or instruction concerning use of the appliance by a person responsible for their safety.
- Use only as described in this manual. Use only manufacturer's recommended attachments.
- Do not use with damaged cord or plug. If vacuum cleaner is not working as it should, has been dropped, damaged, left outdoors or dropped in water, return it to a local authorized dealer/distributor.
- Connect to a properly grounded outlet only (refer to grounding instructions).
- Do not use extension cords or outlets with inadequate current carrying capacity.
- Turn off all controls before unplugging.
- Do not unplug by pulling on cord. To unplug, grasp the plug, not the cord.
- Do not handle plug or cord with wet hands.
- Do not put any object into openings. Do not use with any openings blocked; keep free of dust, lint, hair and anything that may reduce airflow.
- This vacuum cleaner creates suction. Keep hair, loose clothing, fingers and all parts of body away from openings and moving parts.
- Do not pick up anything that is burning or smoking, such as cigarettes, matches, or hot ashes.
- Use extra care when cleaning on stairs.
- Do not pick up flammable or combustible liquids such as gasoline, or use in areas where they may be present.
- Keep your work area well lighted.
- Unplug electrical appliances before vacuuming them.
- If the supplied power cord is damaged, it must be replaced by a special cord available from the authorized local dealer/distributor.
- Do not use without dust bag and/or filter in place.

SAVE THESE INSTRUCTIONS

GENERAL INFORMATION

The central vacuum is designed for dry pick-up of household dirt and dust. Avoid picking up hard or sharp objects with this system to prevent hose and plastic pipe damage or clogs.

This manual will cover the final steps of installation of the power unit in your home. It will also provide the necessary information for maintenance and trouble shooting, in the unlikely event that it will be needed. If you require further information about installation or inquires on the product please contact your local authorized dealer/distributor.

INSTALLATION SAFETY EQUIPMENT

For wall preparations and cover preparations, safety equipment such as helmet, gloves, goggles and hearing protection are recommended.



CAUTION



Use caution when drilling holes in walls as gas pipelines and water pipes and electrical wires may be present.

If you have any questions regarding the product, spare parts, service, warranty or anything else, please contact your local authorized dealer or distributor.

GROUNDING INSTRUCTIONS

This appliance must be grounded. If it should malfunction or breakdown, grounding provides a path of least resistance for electrical current to reduce the risk of electrical shock. This appliance is equipped with a cord having an equipment-grounding conductor and grounding plug. The plug must be plugged into an appropriate outlet that is properly installed and grounded in accordance with all local codes and ordinances.

WARNING

Improper connection of the equipment-grounding conductor can result in electrical shock. Check with a qualified electrician or service person if you are in doubt as to whether the outlet is properly grounded, or if the plug does not fit into an outlet. Do not modify the plug provided with the appliance.

WARNING

If the supply cord is damaged, it must be replaced by a special cord available from your local authorized dealer/distributor.

SERVICE INFORMATION

The instructions in this booklet serve as a guide to routine maintenance. For additional information, contact your nearest authorized dealer/distributor.

RATING PLATE

The model, type, and serial numbers are indicated on the rating plate located on the control panel or motor hood. For prompt and complete service information, always refer to these numbers when inquiring about service.

WARNING

Non-observance of the safety directions may result in bodily harm.

PRODUCT DIMENSIONS

Refer to page 7 - Image 1

WASTE OF ELECTRIC AND ELECTRICAL EQUIPMENT (WEEE)



This symbol on the product or on its packaging indicates that this product may not be treated as household waste. Instead it should be handed over to applicable collection point for the recycling of electronics and electrical equipment. By ensuring this product is disposed of correctly, you will help prevent potential negative consequences for the environment and human health, which could otherwise be caused by inappropriate waste handling of this product. For more detailed information about this product, please contact your local waste disposal service or the shop where you purchased the product.

INSTALLATION

Your home is most likely already fitted with the system of plastic pipes and inlet valves and you are ready to install the central power unit. If your home is not fitted for a central vacuum system, you can contract to have the Electrolux Central Vacuum System installed by a professional by contacting your local dealer or distributor or choose to do-it-yourself.

The central power unit should be located as far away from the general living area as possible, yet accessible so you can remove the dirt receptacle, reach the filter, and inspect the central power unit. A typical location would be in a garage, where you could vacuum your car or garage area, and where emptying the dirt receptacle and cleaning the filter would be more convenient. Other suitable locations are in the basement, laundry room, or ventilated storage room.

CAUTION



Use caution when drilling holes in walls as gas pipelines and water pipes and electrical wires may be present. Holes in the masonry are only allowable if through it its standing stability is not impaired. Holes in wood studs should be drilled. Depending on what material your home is built with, use the appropriate anchors to hang your power unit. Power unit simply slides onto mounting bracket and clicks into place.

Refer to page 7 - Image 3

- Place the central power unit in a place that is removed from the general living area. The exhaust should be easy to connect to a ventilation pipe. This can be done regardless of the house's construction material.
- Locate the two low voltage wires near the main pipe. Remove the insulation from the low volt wire. Insert the low volt wire into the spring loaded low volt connectors. Be certain you comply with your local electrical codes and regulations.

Refer to page 7 - Image 4

- Make sure there is a dedicated electric socket for the power unit.
- Plug in your CVS with the supplied power cord.

Your Electrolux Oxygen CVS does not require the assembly of a muffler. Your CVS has the muffler installed internally. You may however desire to exhaust the air outside. In this case you will need to attach the exhaust adapter. This will convert the size of the exhaust to the diameter of the central vacuum pipe.

Refer to page 7 - Image 5

- Place the power unit in order to make the exhaust pipe as short as possible. Exhausts should be limited to no longer than 5 meters.
- Keep in mind that you may need space on the sides of your central unit to be able to access the dirt receptacle.

Refer to page 7 - Image 6

- Align the power unit intake fitting to the main trunk line projecting from the wall. **DO NOT GLUE.** Attach the exhaust pipe to the motor exhaust if exhausting outdoors. Make sure the exhaust pipe is as short as possible.

NOTE: Mount central power unit at least 30cm from the ceiling and any adjacent wall, at least 70cm from the floor and within 1.8 m of an electrical outlet. Review any local regulations that may apply.

Refer to page 7 - Image 2

WARNING

Do not block the hood ventilation openings on the top of the central power unit. Lack of ventilation will cause the motor to overheat.

WARNING

Do not locate the central power unit in a high temperature area where it is inaccessible for example, an attic or crawl space.

For the ultimate in air control you have the True HEPA filter and may be included with your choice of power unit or can be purchased from an authorized dealer/distributor. Simply attach the true HEPA filter as shown.

Refer to page 7 - Image 7

SYSTEM TEST

Be certain to comply with local electrical codes and regulations. Plug the unit into a regular electrical outlet. You are now ready to check the installation of the unit:

- Be sure the filter is properly installed in the power unit.
- Be sure the dirt receptacle is properly secured to the power unit.
- Plug the hose into each inlet valve to be sure the electrical contacts operate properly.
- Check each inlet valve for air leaks.
- Check each pipe connection for air leaks.

Refer to page 7 - Image 8

HOW TO USE CENTRAL VACUUM SYSTEM

Your central vacuum system is controlled by a switch on your hose. Simply insert the hose into the valve and turn the switch to the on position. This will start the power unit and the flow of air.

When you are finished, turn the switch on the hose to the off position and remove the hose from the inlet valve. When unplugging the hose, hold the inlet cover open for a few seconds to allow suction to decrease thus, protecting the inlet valve seal.

Refer to page 7 - Image 8

LED INDICATIONS - OPTIONAL DEPENDING ON MODEL

Your machine may be equipped with some or all of the indicators listed below.

Refer to page 7 - Image 9



On/Off



Motor Fault



Dirt Receptacle Full



Reset

Your power unit is equipped with a multi color LED panel. This LED panel will provide you with necessary information on your power unit's performance, maintenance and diagnostics. Below are descriptions of the different messages the power unit will provide.

NORMAL OPERATION

When the power unit is OFF and considered to be in standby mode the LED button will be RED.

When the power unit is ON and in use the LED will be GREEN. When the motor fault light is ON see further description below. When the dirt receptacle light is ON, empty dirt receptacle, press the RESET button and hold for 10 seconds.

MOTOR FAULT

In the case of a blown fuse or disconnected motor wire and the power unit is not functioning, the RED, GREEN and AMBER lights will remain constantly lit.

In the case of an over current shutdown, the ON/OFF button's RED light will be flashing, the GREEN light will turn on and off rapidly, and the MOTOR FAULT light will be AMBER and turn on and off rapidly. This fault will reset automatically in 15 seconds if the low volt connection is OFF at the hose. In the case of a continued over current shutdown and the low volt connection is ON at the hose, the ON/OFF button's RED light will be constantly lit, the GREEN light will flash slowly and the MOTOR FAULT light will slowly flash AMBER.

In the unlikely event of a bad frequency received by the power unit, the power unit will not start and the ON/OFF button's RED light will remain constantly lit. In the case of a high line voltage received by the power unit, the ON/OFF button's lights will alternate between RED and GREEN three times- pause briefly – alternate between RED and GREEN three times – long pause- and then repeat. This will continue until the line voltage returns to the correct level.

LCD SCREEN - OPTIONAL



Refer to page 7 - Image 8

In the main screen of the LCD, the Electrolux logo will appear. This logo may scroll from side to side to avoid the image ingraining itself onto the LCD Display. You will see the logo when the power unit is not in use.

The button that best lines up with the Power symbol on the screen can be used to activate the unit. Press this button to toggle the unit on/off. The unit may also be activated from any installed inlet.

When you LCD power unit is in standby mode the four white lights on your LCD unit will light up in sequence and alternate moving from left to right then reversing right to left. This pattern will repeat continuously and is an indication that your power unit is ready for use and functioning properly.

IN USE



When in use, the power indicator turns green. The 4 progressive performance bars will appear. A normal functioning unit should have all 4 performance bars lit. If there are consistently less than 2 bars, you should check for the problem. Possible issues causing the performance bars to lessen could be:


1. Blocked suction at the hose end
2. Clogged pipe in system
3. Air restrictive tool being used, such as a crevice tool
4. Full dirt receptacle
5. Clogged filtration system

EMPTY DIRT RECEPTACLE



Every 25 hours of use (approximately 6 months) the empty dirt receptacle indicator will flash on the screen. This is an indication to check the dirt receptacle and empty it. Since this is time based, you may find the dirt receptacle too empty or too full. If you have pets, a workshop or other factors that cause waste more frequently, you may wish to check the dirt receptacle more frequently.

Once the dirt receptacle is emptied, you push the return button to reset the 25 hours timer. If your power supply is interrupted, or otherwise unplugged, the empty dirt receptacle indicator will keep a memory of its previous status and continue life measure.

To manually reset the Empty Dirt Receptacle indicator, simply press the button lining up with the Enter symbol and hold for 10 seconds. 

LIFE METER



The life meter has 8 bars on it. Once these bars are depleted your unit will continue to run, although it is strongly recommended to take it to your local authorized dealer/distributor to be inspected and serviced. A life bar will deplete every 65 hours of vacuum use, meaning your central vacuum will have a long life of service to you. The life meter can be reset only by your service technician. If your power supply is interrupted, or otherwise unplugged, the life meter will keep a memory of its previous status and continue life measure.

SERVICE INDICATOR



If there is a system fault, or malfunction with your power unit, the service indicator will flash. Upon seeing this symbol, we recommend that you turn the power unit off, unplug the power supply for 10 seconds and then plug it back in. If the service symbol is still on the screen, we recommend that you call for service.

This symbol may appear due to the following faults:


- Motor problem
- Electronic problem

- Voltage or current problem (too high or too low)
- Power unit not responding to electronics


SCROLLING YOUR LCD



When not in use, you can scroll through the features of your LCD to observe the dirt receptacle status, life monitor measure or most recent recorded power level.

To scroll through these features simply push the button corresponding with the right pointing arrow symbol. 

The next screen you will see will be the Life Meter. Scroll right further and you will find Bucket Status. Yet another scroll will show you last recorded performance levels of the power unit, using the Performance Meter on the In-Use screen. The final scroll right will show you the customer service phone number.

The button lining up with the left scroll button will allow you to scroll backwards through the screens. 

BAG ADAPTOR

Your power unit can all be fitted with a convenient paper bag for more convenient dirt disposal. For maintenance of the paper bag, please see the Paper Bag Filter section, under Filter Maintenance.

Refer to page 7 - Image 10

UTILITY VALVE

The utility valve is similar to an Inlet valve, but is located near the power unit. This valve is present for your convenience, as it can help clean up any dirt spilled close to the central vacuum.

OVERHEATING PROTECTION

If the circuit board reaches an elevated temperature, the power unit will not operate and the LED will be off or on LCD model the screen will be flashing. In the event of these problems, press the On/Off button, unplug hose or wait for temperature to lower. If problems persist; contact your authorized dealer or distributor.

Refer to page 7 - Image 9

OVERLOAD PROTECTION

The central vacuum system employs features that monitor the following operating levels: AC voltage, and current draw. If the voltage is below or above standard operating voltage, high current draw or locked rotor, the power unit will not operate. In this case the On/Off button will blink until the problem ceases or on the LCD model the screen will flash. If problems persist; contact your authorized dealer or distributor. The power unit requires 30 minutes to cool down.

Refer to page 7 - Image 9

DIAGNOSTICS AND MAINTENANCE

Reduced airflow or suction indicates the central vacuum system is not operating at maximum efficiency. If the dirt receptacle is full and the filter is clogged, no air can pass through the unit and no cleaning can take place. Instructions provided in the booklet serve as a guide to routine maintenance. Proper airflow or suction can be maintained by keeping the dirt receptacle and filter clean and the plastic tubing and hose free from clogs.

EMPTYING THE DIRT RECEPTACLE

Most models feature dirt receptacles with windows to tell at a glance when the dirt receptacle should be emptied. In most cases, the dirt receptacle only needs to be emptied two to three (2-3) times a year. To remove the dirt receptacle, press the buttons on the receptacle handles. Remove and empty the contents. Return the receptacle by attaching the bucket to the power unit. To avoid suction loss make sure the receptacle is securely attached.

Refer to page 7 - Image 11

FILTER MAINTENANCE

Electrolux's exclusive filter is permanent and self cleaning. However, if you have questions about your permanent self-cleaning filter, please contact your local authorized dealer/distributor.

PAPER BAG FILTERS - OPTIONAL

The volume of the paper bag is 22 liters. A full dust bag reduces the systems performance. Depending on how often you use your central vacuum system, the dust bag may need to be changed 2-3 times per year – and can be obtained at your local dealer/distributor.

Instructions for changing the dust bag:

1. Remove the power unit dirt receptacle
2. Loosen the dust bag from the intake tube, remove and dispose.
3. Place and press the new dust bag firmly into the tube.
Turn the dust bag's opening to make it fasten firmly on the tube.
4. Put the dirt receptacle back on the central power unit.

IF YOU EXPERIENCE TROUBLE WITH YOUR ELECTROLUX CENTRAL VACUUM SYSTEM, FOLLOW THE SUGGESTIONS BELOW BEFORE CALLING FOR SERVICE.

PARTIAL/TOTAL LOSS OF SUCTION POWER

- Be sure dirt receptacle is on properly.
- Empty dirt receptacle.
- Remove debris from filter.
- Be sure each inlet valve is properly closed.

CLEAR BLOCKAGE IN PIPES

Blockage in the hose

Plug hose into any inlet valve. If there is no suction through the hose after connecting at a couple of inlets, the blockage is in the hose. To clear the hose obstruction, insert a blunt instrument into the hose (garden hose, wood dowel). You can also attempt to reverse the suction through the hose to dislodge the blockage.

Refer to page 7 - Image 12 and 13

If there is one inlet valve without normal suction and you have checked for hose blockage, then the blockage is in the pipe system between the blocked inlet valve and the power unit (see instructions below).

Insert the hose into the inlet valve where there is no suction; hold your hand over the hose end. Release hand quickly. Repeat several times. If blockage does not clear, contact your nearest Electrolux dealer/distributor.

POWER UNIT WILL NOT START

- Check for blown fuse or circuit breaker in main house electric supply box.
- Unplug and check all wall inlet and low voltage connections for loose wires.
- If unit still will not start, contact your nearest local authorized dealer/distributor.

POWER UNIT WILL NOT STOP

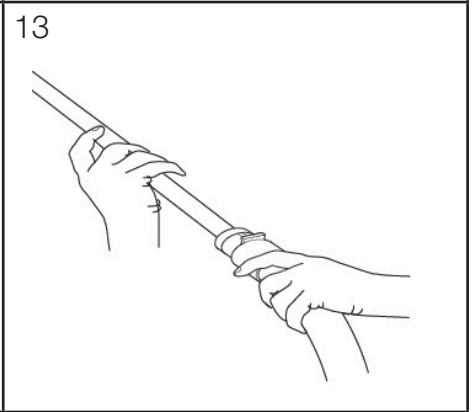
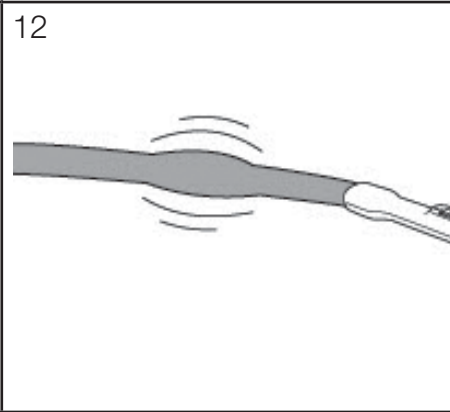
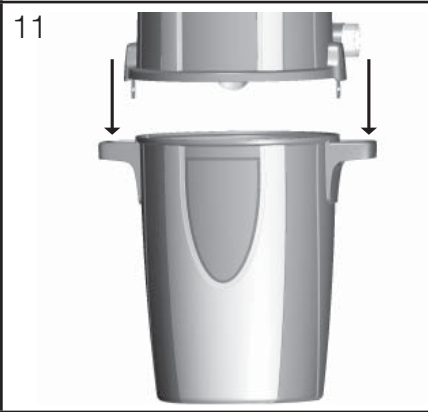
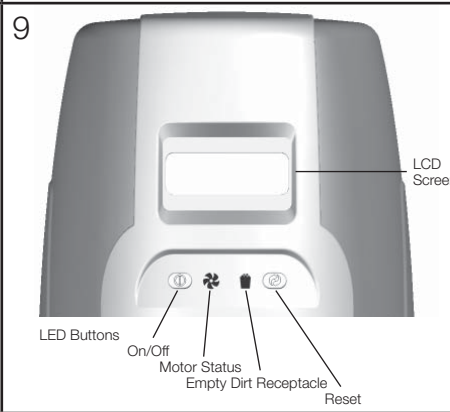
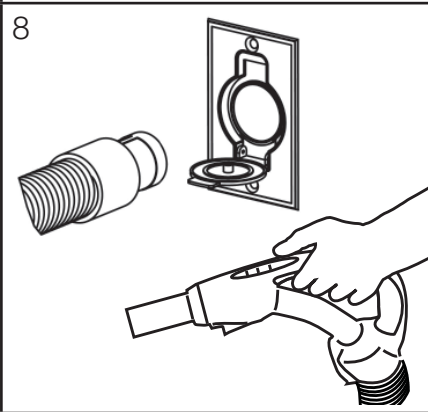
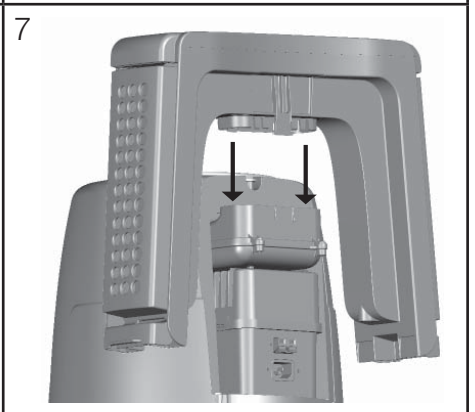
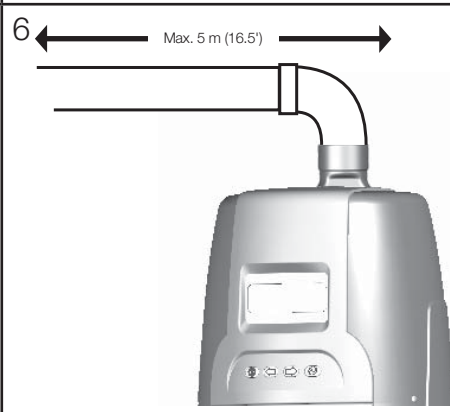
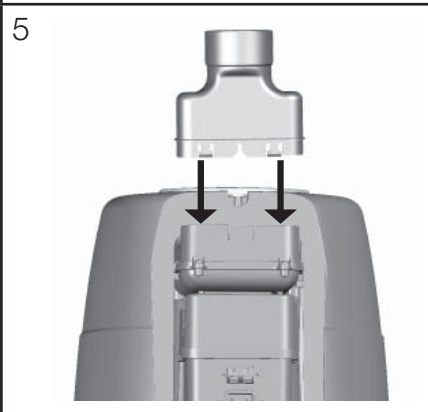
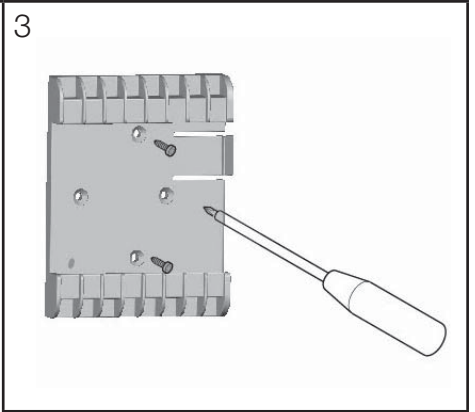
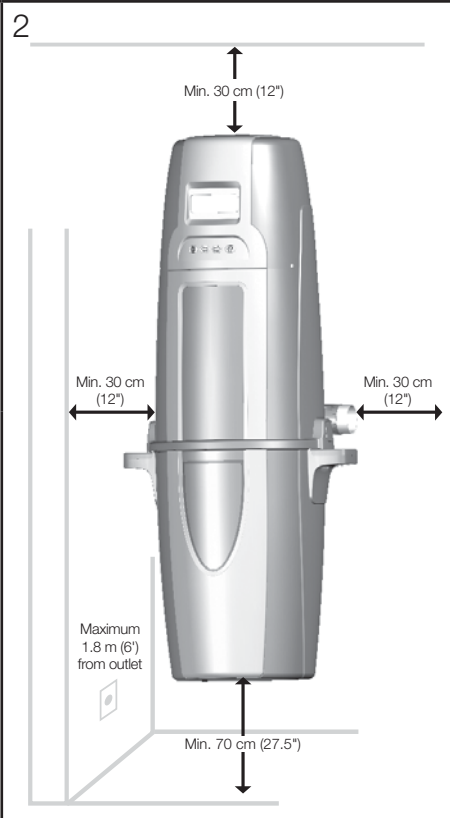
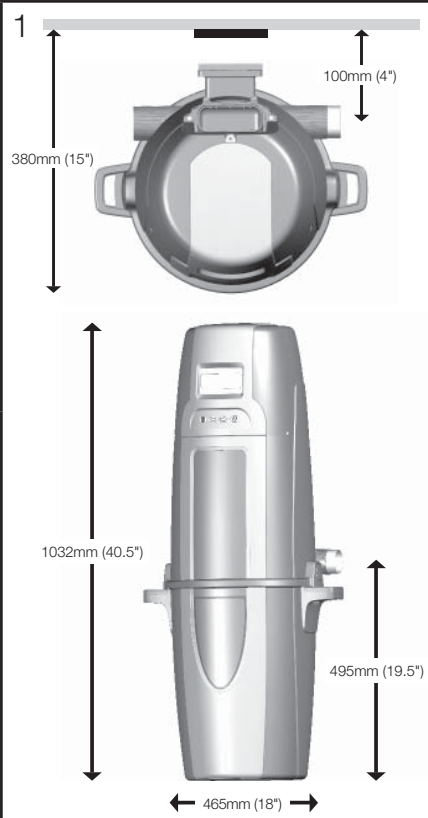
- Check inside each inlet valve for obstruction of low-voltage contacts. If no visual obstruction can be detected, disconnect the cleaner from the power receptacle and contact your nearest local authorized dealer/distributor.

CENTRAL POWER UNIT SHUTS OFF BY ITSELF

- Remove and then re-insert hose into inlet or toggle switch off-on located on hose handle. See "Overload Protection".

WARRANTY

Warranty is handled by your local authorized dealer/distributor. Please contact your local authorized dealer/distributor for questions regarding warranty.



Medidas de precaución importantes.....	2
Información general.....	3
Instalación.....	3
Prueba del sistema.....	4
Modo de uso.....	4
Indicaciones del LED.....	4
Pantalla LCD.....	4
Adaptador para bolsa.....	5
Válvula de servicio.....	5
Protección contra recalentamiento.....	5
Protección contra sobrecarga.....	5
Diagnóstico y mantenimiento.....	5
Mantenimiento del filtro.....	6
Filtro de la bolsa de papel.....	6
Resolución de problemas.....	6
Imágenes.....	7



MEDIDAS DE PRECAUCIÓN IMPORTANTES

Al usar un aparato electrónico, siempre se deben respetar las precauciones básicas, entre las que figuran las siguientes:

LEA TODAS LAS INSTRUCCIONES ANTES DE UTILIZAR ESTE SISTEMA DE ASPIRACIÓN.

Esta unidad de aspiración centralizada eléctrica está diseñada para la extracción del polvo doméstico normal.

ADVERTENCIA

Para reducir el riesgo de incendio, descargas eléctricas o lesiones:

- No use el aparato al aire libre o en superficies húmedas.
- No bloquee la cubierta del motor, las aberturas de ventilación ni el conducto ubicado en la parte superior de la unidad de potencia. El motor se sobrecalentará si no tiene suficiente ventilación.
- No instale la unidad de potencia en áreas con temperatura elevada o poco accesibles; por ejemplo, en un ático o una cornisa.
- Instale la unidad de potencia a por lo menos 30 cm del cielo raso o de cualquier pared adyacente y a 70 cm del piso como mínimo. Repase las leyes y reglamentaciones locales que sean aplicables.
- No utilice el aparato como un juguete. Se requiere de especial atención en caso de ser utilizado por o cerca de los niños.
- Este electrodoméstico no fue diseñado para ser utilizado por personas (incluyendo niños) con capacidades físicas, sensoriales o mentales reducidas, o sin la experiencia y el conocimiento necesarios, a menos que hayan sido instruidos sobre su uso o estén bajo la supervisión de una persona responsable de su seguridad.
- Utilice el aparato solamente según lo indicado en el manual. Utilice solamente los accesorios recomendados por el fabricante.
- No utilice el aparato si el cable o el enchufe están dañados. Si la aspiradora no funciona correctamente, ha sufrido un golpe, ha resultado dañada, ha quedado al aire libre o se ha caído al agua, llévela a proveedor/distribuidor autorizado local.
- Conecte el aparato solamente a un tomacorriente debidamente puesto a tierra (consulte las instrucciones de conexión a tierra).
- No utilice cables alargadores o tomacorrientes con una capacidad de conducción de corriente inadecuada.
- Apague todos los mandos antes de desenchufar el aparato.
- No tire del cable para desenchufar. Al desenchufar, sujete el enchufe, no el cable.
- No manipule el enchufe ni el cable con las manos húmedas.
- No coloque objetos en las aberturas. No utilice el aparato si las aberturas están obstruidas; manténgalo libre de polvo, pelusas, cabello y cualquier material que pueda reducir el flujo de aire.
- Esta aspiradora emplea succión. Mantenga el cabello, las prendas sueltas, los dedos, y cualquier parte del cuerpo alejados de las aberturas y piezas móviles.
- No aspire ningún material que esté encendido o que despidan humo, como cigarrillos, fósforos o cenizas calientes.
- Sea muy cuidadoso al limpiar sobre escaleras.
- No aspire líquidos inflamables o combustibles, como gasolina, ni utilice la aspiradora en áreas donde dichos elementos puedan estar presentes.
- Mantenga el área de trabajo bien iluminada.
- Desenchufe los aparatos eléctricos antes de aspirarlos.
- Si el cable de suministro eléctrico resulta dañado, reemplácelo con un cable especial proporcionado por su proveedor/distribuidor autorizado local.
- No utilice el aparato si la bolsa para polvo y/o el filtro no están en su lugar.

CONSERVE ESTAS INSTRUCCIONES

INFORMACIÓN GENERAL

La aspiradora centralizada está diseñada para aspirar elementos secos, como suciedad y polvo domésticos. Evite aspirar objetos duros o afilados para evitar obstrucciones o daños en la manguera y las tuberías de plástico.

Este manual lo guiará en los últimos pasos de la instalación de la unidad de potencia en el hogar. También le ofrecerá información necesaria para el mantenimiento y la resolución de problemas, en el improbable caso de que lo necesite. Si desea obtener más información acerca de la instalación o tiene preguntas acerca del producto, póngase en contacto con su proveedor/distribuidor autorizado local.

EQUIPO DE SEGURIDAD PARA LA INSTALACIÓN

En el momento de preparar la pared o cubierta, se recomienda usar casco, guantes, gafas de seguridad y protección auditiva.



PRECAUCIÓN



Tenga cuidado al perforar las paredes, ya que es posible que haya tuberías de gas y agua, y conexiones eléctricas.

Si tiene alguna pregunta acerca del producto, las piezas de repuesto, el servicio de mantenimiento, la garantía, etc., póngase en contacto con su proveedor o distribuidor autorizado local.

INSTRUCCIONES DE CONEXIÓN A TIERRA

Este electrodoméstico debe estar conectado a tierra. En caso de funcionamiento defectuoso o avería, la conexión a tierra ofrece un trayecto de menor resistencia para la corriente eléctrica, por lo que reduce el riesgo de que se produzca una descarga eléctrica. Este electrodoméstico viene con un cable que tiene un conductor y un enchufe para la conexión a tierra del equipo. El enchufe se debe conectar a un tomacorriente debidamente instalado y conectado a tierra, de acuerdo con todas las leyes y reglamentaciones locales.

ADVERTENCIA



La conexión inapropiada del conductor para la conexión a tierra del equipo puede provocar una descarga eléctrica. Si tiene dudas sobre si el tomacorriente está correctamente conectado a tierra o no sabe qué hacer si tiene problemas para conectar el enchufe al tomacorriente, consulte a un electricista o especialista en mantenimiento cualificado. No modifique el enchufe que viene con el electrodoméstico.

ADVERTENCIA



Si el cable de suministro eléctrico resulta dañado, reemplácelo con un cable especial proporcionado por su proveedor/distribuidor autorizado local.

INFORMACIÓN DE MANTENIMIENTO

Las instrucciones de este folleto sirven como guía para el mantenimiento de rutina. Para obtener información adicional, póngase en contacto con su proveedor/distribuidor autorizado más cercano.

PLACA DE INFORMACIÓN

El modelo, el tipo y los números de serie figuran en la placa de información ubicada en el panel de mandos o en la cubierta del motor. Para obtener información de mantenimiento rápida y completa, llame siempre a estos números cuando tenga dudas sobre reparaciones.

ADVERTENCIA



Hacer caso omiso de las instrucciones de seguridad puede ocasionar daños físicos.

DIMENSIONES DEL PRODUCTO

Consulte la página 7, imagen 1

DESECHOS DE EQUIPOS ELÉCTRICOS Y ELECTRÓNICOS (WEEE)



Este símbolo que figura en el producto o su embalaje indica que el producto no debe tratarse como un desecho doméstico. En lugar de eso, debe llevarse a una planta de recolección para el reciclaje de equipos eléctricos y electrónicos adecuada. Al garantizar la correcta eliminación de este producto, ayudará a prevenir posibles consecuencias negativas para el medio ambiente y la salud humana, las cuales podrían producirse en caso de no manipular el producto en forma adecuada. Para obtener información más detallada acerca de este producto, póngase en contacto con el servicio de eliminación de desechos local o con la tienda donde adquirió el producto.

INSTALACIÓN

Es muy probable que su hogar ya esté equipado con un sistema de tuberías de plástico y válvulas de entrada, y que todo esté listo para la instalación de la unidad de potencia. De lo contrario, puede ponerse en contacto con su proveedor o distribuidor local para contratar a un profesional que instale el Sistema de aspiración centralizada Electrolux o hacerlo usted mismo.

La unidad de potencia centralizada debe estar lo más lejos posible del área de la sala general y, al mismo tiempo, debe ser accesible de modo que pueda extraer el contenedor de polvo, alcanzar el filtro y examinar la unidad de potencia centralizada. Una ubicación típica es el garaje, donde puede aspirar su automóvil o dicha área, y donde resulta más conveniente vaciar el contenedor de polvo y limpiar el filtro. Otros lugares aptos para la instalación son: el sótano, el lavadero o un cuarto de almacenamiento ventilado.

PRECAUCIÓN



Tenga cuidado al perforar las paredes, ya que es posible que haya tuberías de gas y agua, y conexiones eléctricas. Solamente se puede agujerear la mampostería si su estabilidad no se ve afectada. Para perforar los montantes de madera, necesitará un taladro. Según el material con el que esté construido su hogar, utilice elementos de sujeción adecuados para colgar la unidad de potencia. La unidad de potencia se desliza por el soporte de montaje y se traba en su lugar.

Consulte la página 7, imagen 3

- Coloque la unidad de potencia centralizada en un lugar alejado del área de mayor circulación. El tubo de escape se conecta fácilmente a un tubo de ventilación. Esto puede realizarse independientemente del material con el que esté construida la casa.
- Ubique los dos cables de baja tensión que están cerca de la tubería principal. Retire el recubrimiento del cable de baja tensión. Introduzca el cable de baja tensión en los conectores de resorte de baja tensión. Asegúrese de cumplir con las leyes y reglamentaciones eléctricas locales.

Consulte la página 7, imagen 4

- Asegúrese de que la unidad de potencia tenga un tomacorriente exclusivo.
- Enchufe el sistema de aspiración centralizada (SAC) con el cable de suministro provisto.

El sistema de aspiración centralizada Electrolux Oxygen no requiere de un silenciador. El SAC tiene un silenciador interno. Tal vez desee expulsar el aire hacia el exterior. En este caso, deberá conectar el adaptador del tubo de escape. De esta manera, el tamaño del tubo de escape será igual al diámetro de la tubería de aspiración centralizada.

Consulte la página 7, imagen 5

- Coloque la unidad de potencia de manera tal que el tubo de escape quede lo más corto posible. Los tubos de escape no deberían tener más de 5 metros de largo.
- Recuerde que es posible que necesite espacio a ambos lados de la unidad centralizada para acceder al contenedor de polvo.

Consulte la página 7, imagen 6

- Alinee el accesorio de entrada de la unidad de potencia con la línea de enlace principal que se proyecta desde la pared. **NO LO ENCOLE.** Conecte el tubo de escape al tubo de escape del motor si desea expulsar el aire al exterior. Asegúrese de que el tubo de escape quede lo más corto posible.

NOTA: Instale la unidad de potencia centralizada a por lo menos a 30 cm del cielo raso o de cualquier pared adyacente, a 70 cm del piso y en un radio de 1,8 m de un tomacorriente. Revise las reglamentaciones locales que sean aplicables.

Consulte la página 7, imagen 2

ADVERTENCIA

No bloquee las aberturas de ventilación de la cubierta ubicadas en la parte superior de la unidad de potencia. El motor se sobrecalentará si no tiene suficiente ventilación.

ADVERTENCIA

No instale la unidad de potencia centralizada en áreas con temperatura elevada o poco accesibles; por ejemplo, en un ático o una cornisa.

Si desea obtener lo último en control de aire, adquiera un filtro True HEPA original; puede solicitarlo con la unidad de potencia o adquirirlo de un proveedor/distribuidor autorizado. Simplemente coloque el filtro True HEPA tal como se indica.

Consulte la página 7, imagen 7

PRUEBA DEL SISTEMA

Asegúrese de cumplir con los códigos y reglamentaciones eléctricos locales. Conecte la unidad en un tomacorriente normal. Ahora puede verificar la instalación de la unidad:

- Asegúrese de que el filtro esté correctamente instalado en la unidad de potencia.
- Asegúrese de que el contenedor de polvo esté correctamente asegurado a la unidad de potencia.
- Conecte la manguera a cada una de las válvulas de entrada para asegurarse de que los contactos eléctricos funcionen correctamente.
- Inspeccione las válvulas de entrada para descartar pérdidas de aire.
- Inspeccione las conexiones de los tubos para descartar pérdidas de aire.

Consulte la página 7, imagen 8

MODO DE USO DEL SISTEMA DE ASPIRACIÓN CENTRALIZADA

El sistema de aspiración centralizada se controla mediante un interruptor en la manguera. Simplemente inserte la manguera en la válvula y coloque el interruptor en la posición de encendido. Esto encenderá la unidad de potencia y activará el flujo de aire.

Al finalizar, coloque el interruptor de la manguera en la posición de apagado y retire la manguera de la válvula de entrada. Al desconectar la manguera, mantenga la cubierta de entrada abierta durante unos segundos hasta que la succión disminuya; de este modo protegerá la junta de la válvula de entrada.

Consulte la página 7, imagen 8

INDICACIONES DEL LED; OPCIONAL SEGÚN EL MODELO

Su máquina puede estar equipada con todos o algunos de los indicadores que se muestran a continuación.

Consulte la página 7, imagen 9



La unidad de potencia está equipada con un panel LED multicolor. Este panel LED le ofrecerá la información necesaria sobre el rendimiento, mantenimiento y diagnóstico de la unidad de potencia. A continuación encontrará la descripción de los diferentes mensajes de la unidad de potencia.

FUNCIONAMIENTO NORMAL

Cuando la unidad de potencia está APAGADA (OFF) y en modo de espera el botón LED está en ROJO.

Cuando la unidad de potencia está ENCENDIDA (ON) y en uso, el botón LED está en VERDE. Cuando la luz que indica falla del motor esté ENCENDIDA (ON), consulte la siguiente descripción. Cuando la luz del contenedor de polvo esté ENCENDIDA (ON), vacíe el contenedor de polvo, pulse y mantenga pulsado el botón RESTABLECER (RESET) durante 10 segundos.

FALLA DEL MOTOR

En caso de que se queme un fusible o se desconecte un cable del motor y la unidad de potencia no funcione, la luces ROJA, VERDE y ÁMBAR permanecerán encendidas constantemente.

En caso de que la unidad se apague por una sobrecarga, la luz ROJA del botón de ENCENDIDO/APAGADO (ON/OFF) centelleará, y la luz VERDE se encenderá y se apagará rápidamente, al igual que la luz ÁMBAR de FALLO DEL MOTOR. Este fallo se restablecerá automáticamente después de 15 segundos si la conexión de baja tensión está APAGADA (OFF) en la manguera. En caso de que haya una sobrecarga continua y que la conexión de baja tensión esté ENCENDIDA (ON) en la manguera, la luz ROJA del botón de ENCENDIDO/APAGADO (ON/OFF) estará constantemente encendida y la luz VERDE centelleará lentamente, al igual que la luz ÁMBAR de FALLO DEL MOTOR.

En el caso poco probable de que la unidad de potencia reciba mala frecuencia, no se encenderá y la luz ROJA del botón de ENCENDIDO/APAGADO (ON/OFF) permanecerá constantemente encendida. En caso de que la unidad de potencia reciba una sobrecarga de tensión, la luz de ENCENDIDO/APAGADO (ON/OFF) alternará entre ROJO y VERDE tres veces, se detendrá unos instantes, alternará entre ROJO y VERDE tres veces más, hará una larga pausa, y así sucesivamente. Esto sucederá hasta que la tensión regrese a los niveles normales.

PANTALLA LCD; OPCIONAL



Consulte la página 7, imagen 8

En la pantalla principal de la pantalla LCD, aparecerá el logo de Electrolux. Este logo puede desplazarse de lado a lado para evitar que la imagen quede grabada en la pantalla LCD. El logo será visible cuando la unidad de potencia no esté en uso.

El botón mejor alineado con el símbolo de Energía de la pantalla se puede usar para encender la unidad. Pulse este botón para apagar o encender la unidad. La unidad también se puede activar desde cualquier entrada instalada.

Cuando la unidad de potencia esté en modo de espera, las cuatro luces blancas de la pantalla LCD se iluminarán secuencialmente y alternarán el movimiento de izquierda a derecha, y viceversa. Este patrón se repetirá continuamente, lo que indica que la unidad está lista para ser utilizada y que funciona correctamente.

EN USO



La luz se volverá verde cuando utilice el sistema. Aparecerán las 4 barras de rendimiento progresivas. En una unidad que funciona correctamente deben estar encendidas las 4 barras. Si hay menos de 2 barras encendidas en todo momento, debe buscar la causa del problema. Las causas posibles pueden ser:

1. Succión obstruida en el extremo de la manguera
2. Tubería del sistema tapada
3. Uso de una herramienta que restringe el flujo de aire, como una herramienta para hendiduras
4. Contenedor de polvo lleno
5. Sistema de filtración tapado

LIMPIEZA DEL CONTENEDOR DE POLVO



Cada 25 horas de uso (aproximadamente 6 meses) el indicador de limpieza del contenedor de polvo centelleará en la pantalla. Esto significa que debe inspeccionar el contenedor de polvo y vaciarlo. Debido a que el tiempo está predeterminado, puede que el contenedor esté vacío o lleno. Si tiene mascotas, un taller o desempeña otras tareas que puedan generar residuos frecuentemente, tal vez sea necesario que inspeccione el contenedor de polvo más a menudo.

Una vez vacío el contenedor de polvo, pulse el botón de restituir para restablecer el temporizador a 25 horas. Si el suministro eléctrico se interrumpe o desconecta, el indicador de limpieza del contenedor de polvo almacenará en la memoria el estado previo y continuará con la medición del ciclo.

Para restablecer manualmente el indicador de limpieza del contenedor de polvo, pulse durante 10 segundos el botón alineado con el símbolo de Intro.

MEDIDOR DE VIDA ÚTIL



El medidor de vida útil tiene 8 barras. Una vez que las barras se agoten, la unidad continuará funcionando, pero es conveniente que la lleve a su proveedor/distribuidor autorizado local para que la inspeccione y repare. Una barra de vida útil se apagará cada 65 horas de uso de la aspiradora, lo que significa que la aspiración centralizada le ofrecerá largas horas de servicio. El medidor de vida útil solamente puede ser restablecido por un profesional de servicio técnico. Si el suministro eléctrico se interrumpe o desconecta, el medidor de vida útil almacenará en la memoria el estado previo y continuará con la medición del ciclo.

INDICADOR DE MANTENIMIENTO



En caso de fallo en el sistema o funcionamiento defectuoso de la unidad de potencia, el indicador de mantenimiento centelleará. En ese caso, le recomendamos que apague la unidad, desconecte el suministro eléctrico durante 10 segundos y lo enchufe nuevamente. Si el símbolo de mantenimiento sigue encendido, deberá ponerse en contacto con el servicio técnico.

Este símbolo puede aparecer debido a las siguientes causas:

- Problemas en el motor
- Fallos electrónicos
- Problemas de tensión o corriente (muy alta o muy baja)
- Respuesta nula por parte de componentes electrónicos de la unidad de potencia

DESPLAZAMIENTO POR LA PANTALLA LCD



Cuando la unidad no está en uso, puede navegar por las diferentes funciones de la pantalla LCD para observar el estado del contenedor de polvo, el estado del medidor de vida útil o el nivel de energía registrado más recientemente.

Para desplazarse por estas funciones solamente tiene que pulsar el botón que se corresponda con el símbolo de la flecha que apunta hacia la derecha.

La próxima pantalla que aparecerá será la del Medidor de vida útil. Desplácese más hacia la derecha y verá el Estado del depósito. Desplácese una vez más y verá los niveles de rendimiento de la unidad de potencia registrados más recientemente por medio del Marcador de rendimiento que figura en la pantalla En uso. Con un último desplazamiento hacia la derecha, verá el número telefónico del Servicio de Atención al Cliente.

Por medio del botón alineado con la flecha que apunta hacia la izquierda, regresará a las pantallas anteriores.

ADAPTADOR PARA BOLSA

La unidad de potencia se puede usar con una práctica bolsa de papel para una mejor eliminación de los desechos. Para obtener información sobre el mantenimiento de la bolsa de papel, consulte la sección Filtro de la bolsa de papel, debajo de Mantenimiento del filtro.

Consulte la página 7, imagen 10

VÁLVULA DE SERVICIO

La válvula de servicio es similar a una válvula de entrada, pero está ubicada cerca de la unidad de potencia. La finalidad de esta válvula es ofrecer mayor comodidad, de modo que pueda limpiar la suciedad cerca del sistema de aspiración centralizada.

PROTECCIÓN CONTRA RECALENTAMIENTO

Si la placa de circuito alcanza una temperatura elevada, la unidad de potencia no funcionará y el LED se apagará o, en el caso del modelo que viene con pantalla LCD, la pantalla centelleará. Si esto ocurre, pulse el botón de encendido/apagado (On/Off), desenchufe la manguera o espere a que la temperatura disminuya. Si el problema persiste, póngase en contacto con su proveedor o distribuidor autorizado.

Consulte la página 7, imagen 9

PROTECCIÓN CONTRA SOBRECARGA

El sistema de aspiración centralizada tiene funciones para supervisar los siguientes niveles operativos: la tensión de CA y el consumo de electricidad. Si la tensión es inferior o superior a la tensión operativa normal, se consume mucha electricidad o el rotor está bloqueado, la unidad de potencia no funcionará. En ese caso, el botón de Encendido/Apagado (On/Off) centelleará hasta que el problema se solucione (en el caso del modelo que viene con pantalla LCD será la pantalla la que centelleará). Si el problema persiste, póngase en contacto con su proveedor o distribuidor autorizado. La unidad de potencia tarda 30 minutos en enfriarse.

Consulte la página 7, imagen 9

DIAGNÓSTICO Y MANTENIMIENTO

El flujo o la succión de aire reducidos indican que el sistema de aspiración centralizada no está operando al máximo nivel. Si el contenedor de polvo está lleno y el filtro está tapado, el aire no puede circular por la unidad, con lo cual no puede realizar la limpieza. Las instrucciones que figuran en este folleto sirven como guía para el mantenimiento de rutina. El flujo o la succión de aire adecuados se logran al mantener el contenedor de polvo y el filtro limpios, y las tuberías de plástico y la manguera libres de obstrucciones.

LIMPIEZA DEL CONTENEDOR DE POLVO

La mayoría de los modelos vienen con contenedores de polvo con rendijas para que sea posible ver si necesitan vaciarse. En la mayoría de los casos, el contenedor de polvo solamente debe vaciarse dos o tres (2 o 3) veces al año. Para extraer el contenedor de polvo, pulse los botones que están en los tiradores del contenedor. Quite y deseche el contenido. Vuelva a colocar el contenedor; para ello, fije el depósito a la unidad de potencia. Para evitar que la potencia de succión disminuya, asegúrese de que el contenedor esté firme en su lugar.

Consulte la página 7, imagen 11

MANTENIMIENTO DEL FILTRO

El filtro de Electrolux es permanente y se limpia automáticamente. Sin embargo, si tiene alguna pregunta acerca del filtro, póngase en contacto con su proveedor/distribuidor autorizado local.

FILTROS DE BOLSA DE PAPEL; OPCIONAL

El volumen de la bolsa de papel es de 22 litros. Una bolsa llena de polvo disminuye el rendimiento del sistema. Dependiendo de la frecuencia con la que use el sistema de aspiración centralizada, deberá cambiar la bolsa para polvo entre 2 y 3 veces por año. Puede adquirirla de su proveedor/distribuidor local.

Instrucciones de reemplazo de la bolsa para polvo:

1. Extraiga el contenedor de polvo de la unidad de potencia
2. Afloje la bolsa para polvo del tubo de entrada, extráigala y deséchela.
3. Instale y presione la bolsa nueva en el tubo con firmeza. Gire la abertura de la bolsa para polvo y ajústela firmemente al tubo.
4. Vuelva a colocar el contenedor de polvo en la unidad de potencia centralizada.

SI TIENE PROBLEMAS CON EL SISTEMA DE ASPIRACIÓN CENTRALIZADA ELECTROLUX, SIGA LAS RECOMENDACIONES ANTES DE PONERSE EN CONTACTO CON EL SERVICIO TÉCNICO.

PÉRDIDA TOTAL/PARCIAL DE LA POTENCIA DE SUCCIÓN

- Asegúrese de que el contenedor de polvo esté instalado correctamente.
- Vacíe el contenedor de polvo.
- Quite la basura del filtro.
- Asegúrese de que cada válvula de entrada esté correctamente cerrada.

RETIRE LAS OBSTRUCCIONES DE LOS TUBOS

Obstrucción de la manguera

Conecte la manguera a cualquier válvula de entrada. Si la manguera no succiona pese a haberla conectado a diversas entradas, la manguera está obstruida. Introduzca un elemento sin filo en la manguera para limpiarla (como una manguera de jardín o una espiga de madera). También puede intentar revertir la succión a través de la manguera para destaparla.

Consulte la página 7, imágenes 12 y 13

Si solamente una de las válvulas de entrada tiene problemas de succión y la manguera no está obstruida, la obstrucción está en el sistema de tubos entre la válvula de entrada bloqueada y la unidad de potencia (consulte las instrucciones a continuación).

Introduzca la manguera en la válvula de entrada que no succiona y tape el extremo de la manguera con la otra mano. Quite la mano rápidamente. Repita la operación varias veces. Si la obstrucción no desaparece, póngase en contacto con su proveedor/distribuidor de Electrolux más cercano.

FALLA AL ENCENDERSE DE LA UNIDAD DE POTENCIA

- Verifique que no haya un fusible o un disyuntor quemado o en la caja principal de suministro eléctrico de su casa.
- Desenchufe e inspeccione todas las entradas de pared y las conexiones de baja tensión por si hubiese cables sueltos.
- Si la unidad no se enciende, póngase en contacto con su proveedor/distribuidor autorizado local.

FALLO AL DETENERSE DE LA UNIDAD DE POTENCIA

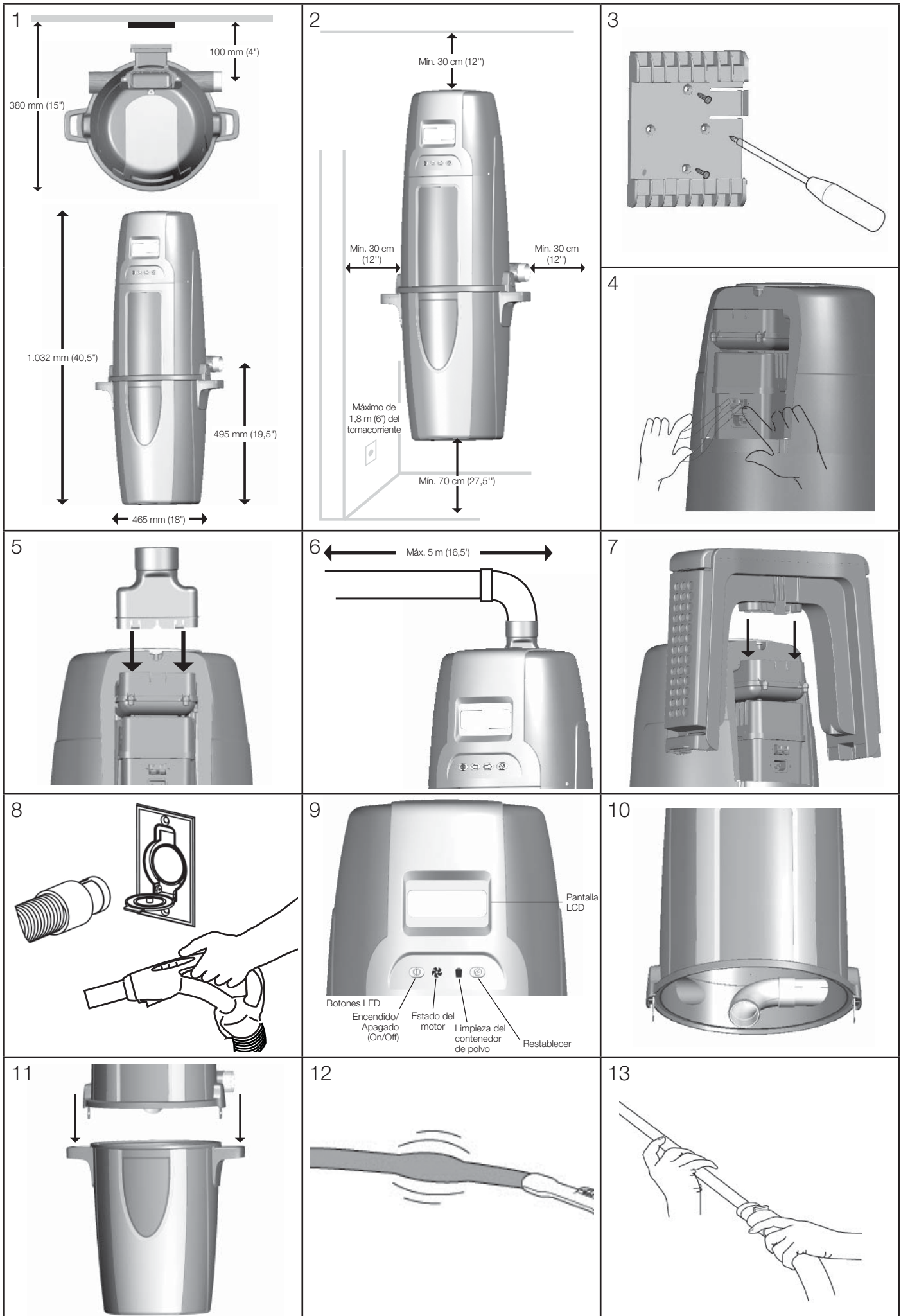
- Inspeccione el interior de cada válvula de entrada por si hubiese obstrucciones en los contactos de baja tensión. Si no detecta ningún tipo de obstrucción, desconecte la aspiradora del tomacorriente y póngase en contacto con su proveedor/distribuidor autorizado local.

APAGADO ACCIDENTAL DE LA UNIDAD DE POTENCIA CENTRALIZADA

- Quite e instale nuevamente la manguera en la entrada o encienda y apague el interruptor del tirador de la manguera. Consulte la sección "Protección contra sobrecarga".

GARANTÍA

La garantía le será otorgada por su proveedor/distribuidor autorizado local. Póngase en contacto con su proveedor/distribuidor autorizado local si tiene preguntas acerca de la garantía.



Mesures de sécurité importantes	2
Informations générales.....	3
Installation	3
Test du système	4
Utilisation.....	4
Indications par DEL	4
Ecran LCD.....	4
Adaptateur de sac	5
Soupage de service.....	5
Protection contre la surchauffe	5
Protection contre la surcharge	5
Diagnostics et entretien	5
Entretien du filtre.....	6
Filtre à sac en papier	6
Résolution des problèmes	6
Images	7

CONTENU

Votre ensemble de système central d'aspiration se compose des éléments suivants.



MESURES DE SECURITE IMPORTANTES

Lorsque vous utilisez un appareil électrique, vous devez toujours respecter les précautions de base, dont les suivantes :

LISEZ TOUTES LES INSTRUCTIONS AVANT D'UTILISER CE SYSTEME D'ASPIRATION.

Ce système central d'aspiration est destiné à l'aspiration de la poussière domestique normale.

AVERTISSEMENT

Pour réduire les risques d'incendie, d'électrocution ou de blessure :

- N'utilisez pas cet appareil à l'extérieur ou sur des surfaces humides.
- Ne bloquez pas le capot ou les ouvertures de ventilation du moteur, ou le conduit situés au-dessus de l'unité d'alimentation. Une obstruction du flux d'air de ventilation provoquerait la surchauffe du moteur.
- Ne positionnez pas l'unité d'alimentation dans une zone à haute température ou dans un endroit difficile d'accès, comme un grenier ou un vide sanitaire.
- Montez l'unité d'alimentation à au moins 30 cm du plafond ou de tout mur adjacent, et à au moins 70 cm du sol. De plus, passez en revue tout code ou règlement local applicable.
- Cet appareil ne doit pas être utilisé en tant que jouet. Une étroite surveillance est nécessaire lorsque l'appareil est utilisé près ou par des enfants.
- Cet appareil n'est pas conçu pour être utilisé par une personne (y compris un enfant) avec des capacités physiques, sensorielles ou mentales réduites, ou qui ne possède pas l'expérience et les connaissances requises, sauf si elle est supervisée ou formée par la personne responsable de sa sécurité.
- Utilisez uniquement cet appareil comme décrit dans ce manuel. Utilisez uniquement les accessoires recommandés par le fabricant.
- N'utilisez pas l'appareil si le cordon ou la fiche sont endommagés. Si l'aspirateur ne fonctionne pas correctement, qu'il est tombé, a été endommagé, laissé à l'extérieur ou immergé, ramenez-le à un vendeur/distributeur local agréé.
- Branchez uniquement l'appareil sur une prise correctement mise à la terre (reportez-vous aux instructions de mise à la terre).
- N'utilisez pas de rallonge ou de prise avec une intensité admissible inappropriée.
- Arrêtez toutes les commandes avant de débrancher l'appareil.
- Ne débranchez pas l'appareil en tirant sur son cordon. Pour le débrancher, tirez sur la fiche et non le cordon.
- Ne manipulez pas la fiche ou le cordon avec les mains humides.
- N'insérez aucun objet dans les ouvertures. N'utilisez pas l'appareil si une ouverture est obstruée. Enlevez la poussière, les peluches, les cheveux, ainsi que tout autre élément pouvant réduire le flux d'air de l'appareil.
- Cet aspirateur crée une succion. Eloignez vos cheveux, vos vêtements amples, vos doigts et toute autre partie de votre corps des ouvertures et des pièces mobiles.
- N'aspirez pas d'éléments qui brûlent ou fument, comme des cigarettes, des allumettes ou des cendres chaudes.
- Faites preuve d'une extrême prudence lorsque vous nettoyez dans des escaliers.
- N'aspirez pas de liquide inflammable ou combustible, comme de l'essence, et n'utilisez pas l'appareil dans des zones où un tel produit pourrait être présent.
- Veillez à ce que votre zone de travail soit bien éclairée.
- Débranchez les appareils électriques avant de les nettoyer avec l'aspirateur.
- Si le cordon d'alimentation fourni est endommagé, il doit être remplacé par un cordon particulier, disponible chez votre vendeur/distributeur local agréé.
- N'utilisez pas l'appareil sans sac à poussière et/ou filtre.

CONSERVEZ CES INSTRUCTIONS

INFORMATIONS GENERALES

Le système central d'aspiration est conçu pour l'aspiration à sec de la saleté et de la poussière domestiques. Évitez d'aspirer des objets durs ou pointus avec ce système pour empêcher tout dommage ou toute obstruction du tuyau et du conduit en plastique.

Ce manuel décrit les étapes finales de l'installation de l'unité d'alimentation à votre domicile. Il fournit également les informations nécessaires à l'entretien et la résolution des problèmes, dans l'éventualité improbable où vous en auriez besoin. Si vous nécessitez plus d'informations sur l'installation ou avez des demandes concernant le produit, veuillez contacter votre vendeur/distributeur local agréé.

EQUIPEMENT DE SECURITE POUR L'INSTALLATION

Pour la préparation du mur et du couvercle, il est recommandé d'utiliser un équipement de sécurité, comme un casque, des gants, des lunettes de sécurité et une protection auditive.



ATTENTION



Faites preuve de prudence lorsque vous percez des trous dans les murs. Des canalisations de gaz et d'eau, ou des fils électriques peuvent être présents.

Si vous avez des questions concernant ce produit, ses pièces de rechange, sa réparation, sa garantie ou autre, veuillez contacter votre vendeur ou distributeur local agréé.

INSTRUCTIONS DE MISE A LA TERRE

Cet appareil doit être mis à la terre. En cas de mauvais fonctionnement ou de panne, la mise à la terre diminue les risques d'électrocution en fournissant au courant électrique une trajectoire de moindre résistance. Cet appareil est équipé d'un cordon avec conducteur et fiche de mise à la terre. La fiche doit être branchée sur une prise appropriée, correctement installée et mise à la terre conformément à tous les codes et tous les arrêtés locaux.

AVERTISSEMENT

Un raccordement inadéquat du conducteur de terre peut présenter un risque d'électrocution. En cas de doute quant à la bonne mise à la terre de la prise ou si la fiche ne rentre pas dans une prise, consultez un électricien qualifié ou un réparateur. Ne modifiez pas la fiche fournie avec l'appareil.

AVERTISSEMENT

Si le cordon d'alimentation est endommagé, il doit être remplacé par un cordon particulier, disponible chez votre vendeur/distributeur local agréé.

INFORMATIONS SUR L'ENTRETIEN

Les instructions de ce livret servent de guide pour l'entretien de routine. Pour plus d'informations, contactez votre vendeur/distributeur agréé le plus proche.

PLAQUE SIGNALÉTIQUE

Les numéros de modèle, de type et de série sont indiqués sur la plaque signalétique située sur le tableau de commande ou le capot du moteur. Pour obtenir rapidement des informations complètes sur l'entretien, reportez-vous toujours à ces numéros lorsque vous demandez une réparation.

AVERTISSEMENT

Le non-respect de ces instructions de sécurité peut engendrer des blessures.

DIMENSIONS DU PRODUIT

Reportez-vous à la page 7, image 1.

DECHETS D'EQUIPEMENT ELECTRIQUE ET ELECTRONIQUE (DEEE)



Ce symbole sur le produit ou son emballage indique que le produit ne peut pas être traité comme une ordure ménagère. Il doit plutôt être confié à un point de collecte de recyclage des appareils électriques et électroniques. En veillant à la mise au rebut appropriée de ce produit, vous contribuez à réduire les effets négatifs éventuels sur l'environnement et la santé qui pourraient survenir si ce produit n'était pas éliminé correctement. Pour des informations détaillées sur ce produit, veuillez contacter le service de gestion des ordures ménagères ou le magasin où vous avez acheté l'appareil.

INSTALLATION

Votre domicile est très probablement déjà équipé d'un système de conduits en plastique et de soupapes d'entrée. Vous êtes alors prêt à installer l'unité d'alimentation centrale. Si votre domicile n'est pas équipé pour un système central d'aspiration, vous pouvez faire installer le système central d'aspiration Electrolux par un professionnel en contactant votre vendeur ou distributeur local ou choisir de le faire vous-même.

L'unité d'alimentation centrale doit être positionnée aussi loin que possible de la zone de résidence habituelle, mais rester accessible de manière à ce que vous puissiez l'inspecter, retirer son réceptacle à poussière et atteindre son filtre. L'endroit type est le garage, car vous pouvez passer l'aspirateur dans votre voiture et dans le garage. De plus, il est plus pratique pour vider le réceptacle à poussière et nettoyer le filtre. D'autres endroits adaptés sont la cave, la buanderie ou un local de rangement aéré.

ATTENTION



Faites preuve de prudence lorsque vous percez des trous dans les murs. Des canalisations de gaz et d'eau, ou des fils électriques peuvent être présents. Il est uniquement permis de faire des trous dans les éléments de maçonnerie si la stabilité du bâtiment n'est pas altérée. Les trous dans les montants en bois doivent être percés. Selon le type de matériau ayant servi à construire votre domicile, utilisez les pièces de fixation appropriées pour accrocher l'unité d'alimentation. L'unité d'alimentation se glisse simplement sur le support de fixation et s'enclenche.

Reportez-vous à la page 7, image 3.

- Placez l'unité d'alimentation centrale dans un lieu éloigné de la zone de résidence habituelle. L'évacuation doit être facilement raccordée à un conduit de ventilation. Cela peut se faire quel que soit le matériau de construction de votre domicile.
- Repérez les deux fils à basse tension près du conduit principal. Retirez l'isolation du fil à basse tension. Insérez le fil à basse tension dans les connecteurs à basse tension à ressort. Veillez à vous conformer aux codes et règlements électriques locaux.

Reportez-vous à la page 7, image 4.

- Assurez-vous qu'une prise électrique est réservée à l'unité d'alimentation.
- Branchez votre SCA (système central d'aspiration) par le biais du cordon d'alimentation fourni.

Votre SCA Oxygen d'Electrolux ne nécessite pas de monter un silencieux. Votre SCA dispose d'un silencieux intégré. Vous pouvez cependant souhaiter évacuer l'air à l'extérieur. Dans ce cas, vous devez fixer l'adaptateur d'évacuation. Cela adapte les dimensions de l'évacuation au diamètre du conduit du système central d'aspiration.

Reportez-vous à la page 7, image 5.

- Placez l'unité d'alimentation de manière à ce que le conduit d'évacuation soit aussi court que possible. Les évacuations ne doivent pas dépasser 5 mètres.
- N'oubliez pas qu'il faudra de l'espace sur les côtés de votre unité centrale pour pouvoir accéder au réceptacle à poussière.

Reportez-vous à la page 7, image 6.

- Alignez le raccord d'entrée d'air de l'unité d'alimentation et le conduit principal venant du mur. **N'UTILISEZ PAS DE COLLE.** Raccordez le conduit d'évacuation à l'évacuation du moteur, si vous souhaitez une évacuation vers l'extérieur. Veillez à ce que le conduit d'évacuation soit aussi court que possible.

REMARQUE : Montez l'unité d'alimentation centrale à au moins 30 cm du plafond et de tout mur adjacent, à au moins 70 cm du sol et à moins de 1,8 m d'une prise électrique. Passez en revue tout règlement local applicable.

Reportez-vous à la page 7, image 2.

AVERTISSEMENT

N'obstruez pas les ouvertures de ventilation du capot, au-dessus de l'unité d'alimentation centrale. Une obstruction de la ventilation provoquerait la surchauffe du moteur.

AVERTISSEMENT

Ne positionnez pas l'unité d'alimentation centrale dans une zone à haute température, dans un endroit difficile d'accès, comme un grenier ou un vide sanitaire.

Pour obtenir le meilleur en matière de contrôle de l'air, vous disposez d'un véritable filtre True HEPA qui peut être intégré à l'unité d'alimentation choisie ou être acheté auprès d'un vendeur/distributeur agréé. Installez simplement le véritable filtre True HEPA comme illustré.

Reportez-vous à la page 7, image 7.

TEST DU SYSTEME

Veillez à vous conformer aux codes et règlements électriques locaux. Branchez l'unité sur une prise électrique standard. Vous êtes désormais prêt pour la vérification de l'installation de l'unité :

- Vérifiez que le filtre est correctement installé dans l'unité d'alimentation.
- Vérifiez que le réceptacle à poussière est correctement fixé à l'unité d'alimentation.
- Branchez le tuyau dans chacune de soupapes d'entrée pour vérifier que les contacts électriques fonctionnent correctement.
- Vérifiez l'absence de fuite pour chacune des soupapes d'entrée.
- Vérifiez l'absence de fuite pour chacun des raccords de conduit.

Reportez-vous à la page 7, image 8.

UTILISATION DU SYSTEME CENTRAL D'ASPIRATION

Votre système central d'aspiration est commandé par le biais d'un interrupteur situé sur le tuyau. Insérez simplement le tuyau dans la soupape et mettez l'interrupteur en position de marche. Cela démarre l'unité d'alimentation et le flux d'air.

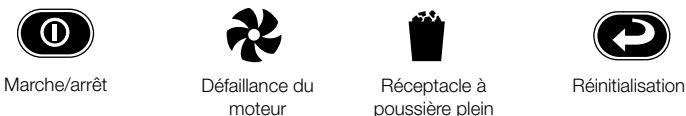
Lorsque vous avez terminé, mettez l'interrupteur du tuyau en position d'arrêt et retirez le tuyau de la soupape d'entrée. Lorsque vous débranchez le tuyau, maintenez le couvercle de l'entrée ouvert pendant quelques secondes pour permettre à la succion de diminuer et ainsi protéger le joint de la soupape d'entrée.

Reportez-vous à la page 7, image 8.

INDICATIONS PAR DEL - EN OPTION, SELON LE MODELE

Votre appareil peut être équipé de plusieurs des voyants ci-dessous ou encore de la totalité.

Reportez-vous à la page 7, image 9.



Votre unité d'alimentation est équipée d'un panneau à DEL multicolores. Ce panneau à DEL vous fournit les informations nécessaires concernant la performance, l'entretien et les diagnostics de votre unité d'alimentation. Vous trouverez ci-dessous des descriptions des différents messages fournis par l'unité d'alimentation.

UTILISATION NORMALE

Lorsque l'unité d'alimentation est ARRETEE et considérée comme étant en mode veille, la DEL est ROUGE.

Lorsque l'unité d'alimentation est en MARCHE et en cours d'utilisation, la DEL est VERTE. Lorsque le voyant de défaillance du moteur est ALLUME, consultez la description ci-dessous. Lorsque le voyant du réceptacle à poussière est ALLUME, videz le réceptacle et maintenez le bouton de REINITIALISATION enfoncé pendant 10 secondes.

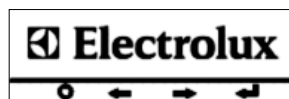
DEFAILLANCE DU MOTEUR

En cas d'un fusible grillé ou d'un fil de moteur déconnecté, et de non-fonctionnement de l'unité d'alimentation, les voyants ROUGE, VERT et JAUNE resteront allumés.

Dans le cas d'une coupure de courant due à une surcharge, le bouton de MARCHE/ARRET ROUGE clignotera, le voyant VERT clignotera rapidement, et le voyant de DEFAILLANCE DU MOTEUR sera JAUNE et clignotera aussi rapidement. Cette défaillance se réinitialisera automatiquement en 15 secondes si le raccordement en basse tension est ARRETE au niveau du tuyau. Dans le cas d'une coupure de courant due à une surcharge continue et si le raccordement en basse tension est en MARCHE au niveau du tuyau, le bouton de MARCHE/ARRET ROUGE restera allumé, le voyant VERT clignotera lentement et le voyant de DEFAILLANCE DU MOTEUR sera JAUNE et clignotera lentement.

Dans l'éventualité improbable de la réception d'une mauvaise fréquence par l'unité d'alimentation, l'unité ne démarrera pas et le bouton de MARCHE/ARRET ROUGE restera allumé en continu. Dans le cas de la réception d'une haute tension par l'unité d'alimentation, le bouton de MARCHE/ARRET clignotera du ROUGE au VERT trois fois, s'arrêtera brièvement, clignotera du ROUGE au VERT trois fois, s'arrêtera plus longuement, puis recommencera. Ce cycle se poursuivra jusqu'à ce que la haute tension revienne au niveau approprié.

ECRAN LCD - EN OPTION



Reportez-vous à la page 7, image 8.

Sur l'écran LCD principal, le logo Electrolux s'affiche. Ce logo peut défiler d'un côté à l'autre pour éviter que l'image ne s'incruste dans l'affichage LCD. Vous voyez le logo lorsque l'unité d'alimentation n'est pas utilisée.

Le bouton qui est le plus aligné sur le symbole de mise en marche à l'écran peut être utilisé pour démarrer l'unité. Appuyez sur ce bouton pour mettre en marche/arrêter l'unité. L'unité peut également être activée à partir de toute entrée installée.

Lorsque l'unité d'alimentation à écran LCD est en mode veille, les quatre voyants blancs de l'écran LCD s'allument tour à tour, de gauche à droite et inversement. Ce schéma se répète en continu et indique que votre unité d'alimentation est prête à être utilisée et fonctionne correctement.

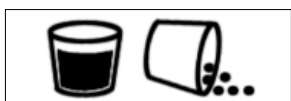
EN COURS D'UTILISATION



Lors de l'utilisation, le voyant de mise en marche est vert. Les 4 barres de progression de la performance s'affichent. Une unité fonctionnant correctement doit disposer de 4 barres de performance allumées. Si seulement 2 barres veulent bien s'afficher, vérifiez quel est le problème. Problèmes éventuels à l'origine d'une diminution des barres de performance :


1. Suction bloquée à l'extrémité du tuyau
2. Conduit obstrué dans le système
3. Utilisation d'un outil de restriction de l'air, comme un suceur
4. Réceptacle à poussière plein
5. Système de filtration obstrué

VIDAGE DU RECEPTACLE A POUSSIERE



Toutes les 25 heures d'utilisation (environ 6 mois), le voyant de vidage du réceptacle à poussière clignote à l'écran. Cela indique de vérifier le réceptacle à poussière et de le vider. Cela se faisant en fonction du temps d'utilisation, le réceptacle à poussière peut être trop rempli ou pas assez. Si vous avez des animaux familiers, un atelier ou d'autres facteurs qui produisent fréquemment plus de saletés, il vous faudra vérifier le réceptacle à poussière plus souvent.

Une fois le réceptacle à poussière vidé, appuyez sur le bouton de retour pour réinitialiser la minuterie de 25 heures. Si le courant est coupé ou l'alimentation électrique débranchée, le voyant de vidage du réceptacle à poussière conserve son statut précédent en mémoire et reprend la mesure du temps écoulé.

Pour réinitialiser le voyant de vidage du réceptacle à poussière, appuyez simplement sur le bouton qui s'aligne sur le symbole d'entrée et maintenez-le enfoncé pendant 10 secondes. 

COMPTEUR DU TEMPS ECOULE



Le compteur du temps écoulé dispose de 8 barres. Une fois ces barres épuisées, votre unité continuera de fonctionner, mais il est fortement recommandé de l'amener à votre vendeur/distributeur local agréé pour qu'elle soit inspectée et réparée. Une barre de temps s'épuise au bout de 65 heures d'aspiration, ce qui signifie que votre système central d'aspiration vous offre une longue durée d'utilisation. Le compteur du temps écoulé peut uniquement être réinitialisé par votre réparateur. Si le courant est coupé ou l'alimentation électrique débranchée, le compteur du temps écoulé conserve son statut précédent en mémoire et reprend la mesure du temps.

VOYANT DE SERVICE



Dans le cas d'une défaillance du système ou d'un dysfonctionnement de votre unité d'alimentation, le voyant de service clignote. Lorsque ce symbole s'affiche, nous vous recommandons d'arrêter l'unité d'alimentation, de couper l'alimentation électrique pendant 10 secondes et de rebrancher l'unité. Si le symbole de service est toujours affiché, nous vous conseillons de faire une demande de réparation.


Ce symbole peut s'afficher en raison des défaillances suivantes :

- Problème de moteur
- Problème électronique
- Problème de tension ou d'intensité (trop haute ou trop basse)
- Absence de réponse de l'unité d'alimentation aux commandes électroniques


NAVIGATION AVEC L'ECRAN LCD



Lorsque l'unité n'est pas utilisée, faites défiler les fonctions de votre écran LCD pour voir le statut du réceptacle à poussière, la mesure du compteur du temps écoulé ou le dernier niveau de puissance enregistré.

Pour faire défiler ces fonctions, appuyez simplement sur le bouton correspondant au symbole de flèche approprié. 

Le prochain écran est celui du compteur du temps écoulé. Le statut du réceptacle se trouve juste après. Encore après, vous voyez les derniers niveaux de performance enregistrés pour l'unité d'alimentation, à l'aide du compteur de performance de l'écran « En cours d'utilisation ». Le dernier élément affiché est le numéro de téléphone du service à la clientèle.

Le bouton aligné sur le bouton de défilement gauche vous permet de revenir aux écrans précédents. 

ADAPTATEUR DE SAC

Votre unité d'alimentation peut être équipée d'un sac en papier pratique pour une élimination plus facile de la saleté. Pour l'entretien du sac en papier, veuillez consulter la section « Filtre à sac en papier » dans « Entretien du filtre ».

Reportez-vous à la page 7, image 10.

SOUPAPE DE SERVICE

La soupape de service est similaire à une soupape d'entrée, mais elle est située à proximité de l'unité d'alimentation. Cette soupape est là pour plus de praticité, car elle peut vous aider à nettoyer les saletés renversées près du système central d'aspiration.

PROTECTION CONTRE LA SURCHAUFFE

Si la carte de circuit imprimé atteint une température élevée, l'unité d'alimentation ne fonctionnera pas et la DEL sera éteinte ou l'écran clignotera s'il s'agit d'un modèle à écran LCD. Si ce problème survient, appuyez sur le bouton de Marche/arrêt, débranchez le tuyau ou attendez que la température diminue. Si le problème persiste, contactez votre vendeur ou distributeur local agréé.

Reportez-vous à la page 7, image 9.

PROTECTION CONTRE LA SURCHARGE

Le système central d'aspiration utilise des fonctions qui surveillent les niveaux suivants : la tension CA et l'appel de courant. Si la tension se situe en dessous ou au-dessus de la tension de fonctionnement, que l'appel de courant est élevé ou que le rotor est bloqué, l'unité d'alimentation ne fonctionne pas. Dans ce cas, le bouton de Marche/arrêt clignote jusqu'à ce que le problème cesse ou l'écran clignote pour les modèles à écran LCD. Si le problème persiste, contactez votre vendeur ou distributeur local agréé. L'unité d'alimentation nécessite 30 minutes pour refroidir.

Reportez-vous à la page 7, image 9.

DIAGNOSTICS ET ENTRETIEN

Un flux d'air ou une suction réduits indiquent que le système central d'aspiration ne fonctionne pas à sa capacité maximale. Si le réceptacle à poussière est plein et que le filtre est obstrué, l'air ne peut pas passer dans l'unité et le nettoyage ne peut pas avoir lieu. Les instructions fournies dans ce livret servent de guide pour l'entretien de routine. Une flux d'air et une suction appropriés peuvent être maintenus en conservant le réceptacle à poussière et le filtre propres, et les tubes en plastique et tuyaux libres de toute obstruction.

VIDAGE DU RECEPTACLE A POUSSIERE

La plupart des modèles possèdent des réceptacles à poussière avec des hublots pour voir en un coup d'œil si le réceptacle doit être vidé. Dans la plupart des cas, le réceptacle à poussière ne doit être vidé que deux à trois (2 à 3) fois par an. Pour retirer le réceptacle à poussière, appuyez sur les boutons situés sur les poignées de celui-ci. Enlevez le réceptacle et videz son contenu. Remettez le réceptacle en place en mettant le bac sur l'unité d'alimentation. Pour éviter une perte de succion, assurez-vous que le réceptacle est correctement fixé.

Reportez-vous à la page 7, image 11.

ENTRETIEN DU FILTRE

Le filtre exclusif d'Electrolux est permanent et autonettoyant. Cependant, si vous avez des questions sur votre filtre permanent autonettoyant, veuillez contacter votre vendeur/distributeur local agréé.

FILTRE A SAC EN PAPIER - EN OPTION

Le volume du sac en papier est de 22 litres. Un sac à poussière plein diminue la performance du système. Selon la fréquence d'utilisation de votre système central d'aspiration, le sac à poussière doit être changé 2 à 3 fois par an. Il peut être obtenu auprès de votre vendeur/distributeur local.

Instructions de remplacement du sac à poussière :

1. Retirez le réceptacle à poussière de l'unité d'alimentation.
2. Dégagez le sac à poussière du conduit d'entrée, retirez-le et jetez-le.
3. Placez le nouveau sac à poussière dans le conduit et appuyez fermement dessus. Tournez l'ouverture du sac à poussière pour qu'elle soit solidement fixée au conduit.
4. Remettez le réceptacle à poussière sur l'unité d'alimentation centrale.

SI VOUS RENCONTREZ DES PROBLEMES AVEC VOTRE SYSTEME CENTRAL D'ASPIRATION ELECTROLUX, SUIVEZ LES SUGGESTIONS CI-DESSOUS AVANT DE DEMANDER UNE REPARATION.

PERTE PARTIELLE/TOTALE DE SUCCION

- Vérifiez que le réceptacle à poussière est correctement installé.
- Videz le réceptacle à poussière.
- Retirez les corps étrangers du filtre.
- Vérifiez que chacune des soupapes d'entrée est correctement fermée.

BLOCAGE EVIDENT DES CONDUITS

Blocage du tuyau

Branchez le tuyau sur une des soupapes d'entrée. S'il n'y a pas de succion une fois le tuyau branché sur deux entrées, l'obstruction se situe dans le tuyau. Pour dégager l'élément à l'origine de l'obstruction du tuyau, insérez un instrument non tranchant dans le tuyau (tuyau du jardin, barreau en bois). Vous pouvez également essayer d'inverser la succion dans le tuyau pour déloger l'élément bloqueur.

Reportez-vous à la page 7, images 12 et 13.

Si une des soupapes d'entrée ne présente pas une succion normale et que vous avez vérifié qu'il n'y avait pas d'obstruction dans le tuyau, alors l'élément bloqueur se situe dans le système de conduits entre la soupape d'entrée bloquée et l'unité d'alimentation (consultez les instructions ci-dessous).

Insérez le tuyau dans la soupape d'entrée sans succion et bouchez l'extrémité du tuyau avec la main. Enlevez rapidement votre main. Répétez l'opération plusieurs fois. Si le blocage subsiste, contactez votre vendeur/distributeur Electrolux le plus proche.

L'UNITE D'ALIMENTATION NE SE MET PAS EN MARCHE

- Vérifiez si un fusible est grillé ou un disjoncteur déclenché dans l'armoire électrique principale de votre domicile.
- Débranchez l'unité et vérifiez s'il y a des fils débranchés au niveau de toutes les prises murales et les connexions à basse tension.
- Si l'unité ne démarre toujours pas, contactez votre vendeur/distributeur local agréé le plus proche.

L'UNITE D'ALIMENTATION NE S'ARRETE PAS

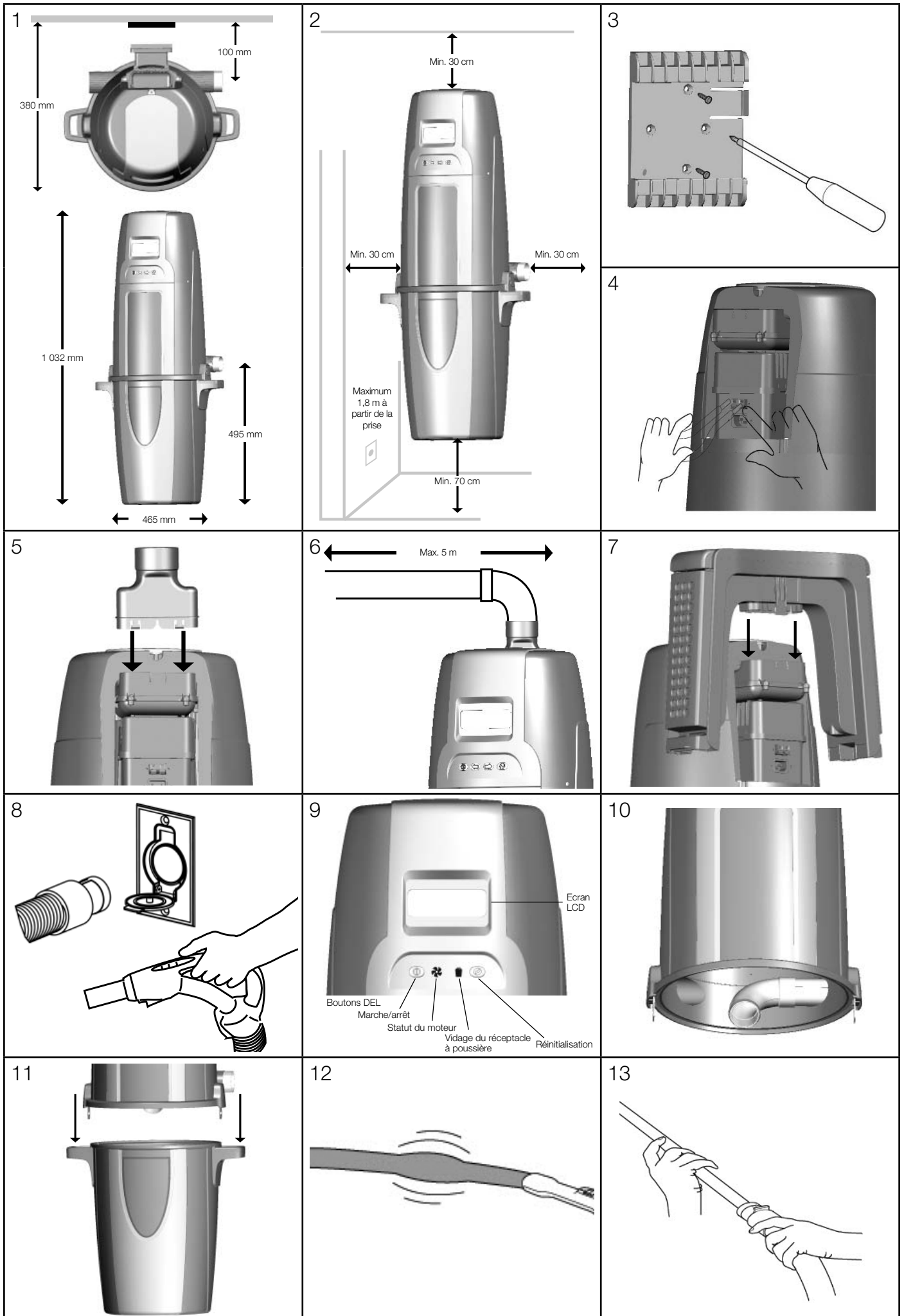
- Vérifiez à l'intérieur de chacune des soupapes d'entrée pour voir s'il y a une obstruction au niveau des contacts à basse tension. Si aucune obstruction visuelle ne peut être détectée, débranchez le système de la prise électrique et contactez votre vendeur/distributeur local agréé le plus proche.

L'UNITE D'ALIMENTATION CENTRALE S'ARRETE D'ELLE-MEME

- Retirez le tuyau et rebranchez-le sur l'entrée ou actionnez plusieurs fois l'interrupteur de marche/arrêt de la poignée du tuyau. Consultez la section « Protection contre la surcharge ».

GARANTIE

La garantie est prise en charge par votre vendeur/distributeur local agréé. Veuillez contacter votre vendeur/distributeur local agréé si vous avez des questions concernant la garantie.



Wichtige Sicherheitshinweise	2
Allgemeine Hinweise	3
Installation	3
Anlagentest	4
Benutzung	4
Kontrollleuchten	4
Bildschirmanzeige	4
Beuteladapter	5
Saugdose an der Zentraleinheit	5
Überhitzungsschutz	5
Überlastschutz	5
Diagnose und Wartung	5
Filterwartung	6
Papierbeutelfilter	6
Fehlerbehebung	6
Abbildungen	7



WICHTIGE SICHERHEITSVORKEHRUNGEN

Bei der Benutzung elektronischer Geräte sollten stets die folgenden Vorsichtsmaßnahmen beachtet werden:

VOR BENUTZUNG DES STAUBSAUGERS, DIE GESAMTE ANLEITUNG LESEN.

Dieser Zentralstaubsauger ist für das Entfernen von normalem Haushaltstaub gedacht.

VORSICHT

Um Brände, elektrische Schläge und Verletzungen zu vermeiden:

- Nicht auf nassen Flächen oder im Freien betreiben.
- Motorhaube, Belüftungsöffnungen und Luftkanal oben auf der Zentraleinheit dürfen nicht blockiert werden. Bei zu geringer Belüftung überhitzt der Motor.
- Zentraleinheit nicht in einem stark erwärmten oder unbegehbaren Bereich wie Dachboden oder Kriechraum installieren.
- Zentraleinheit mindestens 30 cm von der Decke oder einer angrenzenden Wand und mindestens 70 cm über dem Boden installieren. Darüber hinaus sind die örtlichen Gesetze und Vorschriften zu beachten.
- Die Anlage darf nicht als Spielzeug benutzt werden. Wird sie von oder in der Nähe von Kindern benutzt, ist Vorsicht geboten.
- Diese Anlage ist nicht gedacht für die Benutzung durch Personen (einschließlich Kinder), die körperlich, sensorisch oder geistig behindert sind oder keine Erfahrung oder Kenntnisse bezüglich der Anlage besitzen, es sei denn, sie werden von einer für ihre Sicherheit verantwortlichen Person beaufsichtigt oder in der Benutzung der Anlage unterwiesen.
- Anlage nur gemäß Anleitung benutzen. Nur vom Hersteller empfohlenes Zubehör verwenden.
- Nicht mit beschädigtem Anschlusskabel oder Stecker benutzen. Wenn der Staubsauger fehlerhaft funktioniert oder fallen gelassen, beschädigt, im Freien gelassen oder nass wurde, sollte er an einen örtlichen Vertragshändler zurückgegeben werden.
- Nur an eine korrekt geerdete Steckdose anschließen (siehe Hinweise zur Erdung).
- Nur Verlängerungskabel und Steckdosen benutzen, die ausreichend Strom führen können.
- Vor dem Herausziehen des Netzsteckers Anlage ausschalten.
- Beim Herausziehen des Steckers nicht am Kabel ziehen, sondern am Stecker anfassen.
- Stecker und Kabel nicht mit nassen Händen anfassen.
- Keine Gegenstände in die Öffnungen stecken. Die Öffnungen dürfen nicht blockiert werden. Sie müssen frei von Staub, Fusseln, Haaren usw. sein, damit die Luftzirkulation nicht behindert wird.
- Dieser Staubsauger erzeugt Sog. Haare, lose Kleidung, Finger und andere Körperteile von den Öffnungen und beweglichen Teilen fernhalten.
- Nichts aufsaugen, das brennt oder raucht, wie Zigaretten, Streichhölzer oder heiße Asche.
- Beim Säubern von Treppen ist Vorsicht geboten.
- Keine brennbaren Flüssigkeiten, wie z. B. Benzin, aufsaugen, und nicht in Bereichen staubsaugen, wo solche Flüssigkeiten vorhanden sind.
- Der Arbeitsbereich sollte gut beleuchtet sein.
- Vor dem Säubern von elektrischen Geräten deren Netzstecker aus der Steckdosen ziehen.
- Wenn das mitgelieferte Netzkabel beschädigt wird, darf es nur gegen ein vom Vertragshändler erhältliches Spezialkabel ausgetauscht werden.
- Nur mit eingesetztem Staubbeutel und/oder Filter benutzen.

DIESE ANLEITUNG GUT AUFBEWAHREN.

ALLGEMEINE HINWEISE

Dieser Zentralstaubsauger ist gedacht für das Aufsaugen von trockenem Haushaltschmutz und -staub. Keine harten oder scharfen Gegenstände aufsaugen, da diese den Schlauch und das Plastikrohr beschädigen können.

In dieser Betriebsanleitung wird die Installation der Anlage beschrieben. Weiterhin enthält sie Informationen über die Wartung der Anlage und, für den unwahrscheinlichen Fall, dass es benötigt wird, die Fehlersuche und -behebung. Weitere Informationen über die Installation oder die Anlage erhalten Sie von Ihrem Vertragshändler.

SICHERHEITSAUSSTATTUNG

Es wird empfohlen, bei den vorbereitenden Arbeiten an der Wand Schutzbekleidung wie Helm, Handschuhe, Schutzbrille und Gehörschutz zu tragen.



VORSICHT



Beim Bohren von Löchern in die Wand ist sicherzustellen, dass sich dort keine Rohrleitungen oder Kabel befinden.

Bei Fragen bezüglich Anlage, Ersatzteile, Reparaturen, Garantie usw. wenden Sie sich bitte an Ihren Vertragshändler.

HINWEISE ZUR ERDUNG

Diese Anlage muss geerdet werden. Sollte an der Anlage ein Fehler auftreten, so werden durch die Erdung elektrische Schläge vermieden. Das Netzkabel dieser Anlage ist mit einem Erdungsdraht und der Netzstecker mit einem Schutzkontakt für die Erdung ausgestattet. Der Stecker darf nur in eine Steckdose mit Schutzkontakt gesteckt werden, und die Steckdose muss den örtlichen Vorschriften gemäß geerdet sein.

VORSICHT

Wenn die Steckdose nicht korrekt geerdet ist, kann es zu elektrischen Schlägen kommen. Im Zweifelsfall und wenn der Stecker nicht in die Steckdose passt, ist ein Elektriker hinzuzuziehen. Auf keinen Fall den mitgelieferten Stecker modifizieren.

VORSICHT

Wenn das Netzkabel beschädigt wird, darf es nur gegen ein vom Vertragshändler erhältliches Spezialkabel ausgetauscht werden.

WARTUNGSHINWEISE

Diese Anleitung beschränkt sich auf normale Wartungsarbeiten. Weitergehende Informationen erhalten Sie von Ihrem Vertragshändler.

TYPENSCHILD

Modell, Typ und Seriennummer finden Sie auf dem Typenschild, das sich auf der Bedientafel oder auf der Motorhaube befindet. Bei Fragen an den Vertragshändler halten Sie bitte diese Angaben bereit.

VORSICHT

Nichtbeachtung der Sicherheitshinweise kann zu Verletzungen führen.

ABMESSUNGEN

Siehe Seite 7, Abbildung 1

ENTSORGUNG DER ANLAGE



Dieses Symbol weist darauf hin, dass diese Anlage nicht als normaler Hausmüll entsorgt werden darf, sondern sie sollte dem Recycling von elektrischen und elektronischen Geräten zugeführt werden. Damit wird sichergestellt, dass die Umwelt nicht unnötig belastet wird. Weitere Informationen über die Entsorgung erhalten Sie von der örtlichen Müllabfuhr oder Ihrem Vertragshändler.

INSTALLATION

Die Plastikrohre und die Saugsteckdosen sind wahrscheinlich bereits bei Ihnen installiert worden, sodass jetzt die Installation der Zentraleinheit vorgenommen werden kann. Sollte Ihre Wohnung noch nicht entsprechend ausgestattet sein, so können sie es von einem Fachmann installieren lassen, den Ihr Vertragshändler empfehlen kann, oder es auch selber machen.

Die Zentraleinheit sollte so weit wie möglich vom Wohnbereich entfernt installiert werden. Der Installationsort muss begehbar sein, damit der Schmutzeimer herausgenommen werden kann, der Filter zugänglich ist und die Zentraleinheit inspiziert werden kann. Ein guter Ort wäre z. B. die Garage, wo auch das Auto und die Garage selbst gereinigt werden können und wo das Entleeren des Schmutzeimers und das Säubern des Filters einfach ist. Andere geeignete Orte sind Keller, Wäscher Raum oder ein belüfteter Lagerraum.

VORSICHT



Beim Bohren von Löchern in eine Wand ist sicherzustellen, dass sich an der Bohrstelle keine Rohrleitungen oder Kabel befinden. Muss Mauerwerk durchstoßen werden, ist die Stabilität zu berücksichtigen. Löcher in Holzpfosten sollten gebohrt werden. Für die Halterung der Zentraleinheit sollte eine Verankerung gewählt werden, die für den Wandaufbau geeignet ist. Die Zentraleinheit wird einfach in die Halterung eingehängt und schnappt dort ein.

Siehe Seite 7, Abbildung 3

- Die Zentraleinheit sollte an einem Ort installiert werden, der möglichst weit vom Wohnbereich entfernt ist. Das Abluftrohr sollte sich möglichst einfach an ein Belüftungsrohr anschließen lassen. Dies sollte bei allen Wandmaterialien möglich sein.
- Nahe dem Hauptrohr befinden sich zwei Niederspannungsdrähte. Entfernen Sie die Isolierung von den Niederspannungsdrähten. Stecken Sie die Niederspannungsdrähte in die federbelasteten Niederspannungsanschlüsse. Beachten Sie die örtlichen elektrotechnischen Vorschriften.

Siehe Seite 7, Abbildung 4

- Für die Zentraleinheit muss eine eigene Steckdose vorhanden sein.
- Stecken Sie den Netzstecker der Zentraleinheit in die Steckdose.

Dieser Electrolux Oxygen Zentralstaubsauger benötigt keinen weiteren Schalldämpfer. Dieser Zentralstaubsauger ist mit einem internen Schalldämpfer ausgestattet. Wenn Sie die Abluft nach außen führen möchten, wird der Abluftadapter benötigt. Der Abluftadapter passt den Abluftauslass an den Durchmesser des Zentralsaugrohrs an.

Siehe Seite 7, Abbildung 5

- Die Zentraleinheit sollte so platziert sein, dass das Abluftrohr möglichst kurz ist. Das Abluftrohr sollte nicht länger als 5 Meter sein.
- Auf beiden Seiten der Zentraleinheit sollte so viel Platz sein, dass der Schmutzeimer zugänglich ist.

Siehe Seite 7, Abbildung 6

- Stecken Sie die von der Wand kommende Hauptrohrleitung auf das Einlassrohr der Zentraleinheit an. **NICHT KLEBEN.** Wenn die Abluft nach außen geleitet werden soll, stecken Sie das Abluftrohr in den Abluftauslass der Zentraleinheit. Das Abluftrohr sollte möglichst kurz sein.

HINWEIS: Die Zentraleinheit sollte mindestens 30 cm von der Decke, mindestens 30 cm von einer seitlichen Wand und mindestens 70 cm über dem Boden installiert werden. Die Steckdose darf nicht weiter als 1,80 m von der Zentraleinheit entfernt sein. Die örtlichen Vorschriften sind zu beachten.

Siehe Seite 7, Abbildung 2

VORSICHT

Die Belüftungsöffnungen in der Haube der Zentraleinheit müssen stets frei sein. Bei schlechter Belüftung überhitzt der Motor.

VORSICHT

Die Zentraleinheit darf nicht in einem stark erwärmten oder unbegehbaren Bereich wie Dachboden oder Kriechraum installiert werden.

Für das Filtern der Abluft gehört eventuell ein True HEPA-Filter zum Lieferumfang dieses Zentralstaubsaugers. Ist er nicht dabei, ist er von einem Vertragshändler erhältlich. Der True HEPA-Filter wird, wie in der Abbildung gezeigt, installiert.

Siehe Seite 7, Abbildung 7

ANLAGENTEST

Beachten Sie die örtlichen elektrotechnischen Vorschriften. Stecken Sie den Netzstecker der Zentraleinheit in eine normale Steckdose. Jetzt kann die Anlage überprüft werden:

- Sitzt der Filter korrekt in der Zentraleinheit?
- Sitzt der Schmutzeimer fest an der Zentraleinheit?
- Stecken Sie den Saugschlauch in jede der Saugdosen, um zu prüfen, ob die elektrischen Kontakte richtig funktionieren.
- Überprüfen Sie die Saugdosen auf Luftleckagen.
- Überprüfen Sie die Rohrverbindungen auf Luftleckagen.

Siehe Seite 7, Abbildung 8

BENUTZUNG DES ZENTRALSTAUBSAUGERS

Der Zentralstaubsauger wird mit einem Schalter am Saugschlauch ein- und ausgeschaltet. Sie stecken den Saugschlauch einfach in eine Saugdose und schalten den Schalter ein. Die Zentraleinheit läuft an und die Luft wird angesaugt.

Wenn Sie fertig sind, schalten Sie den Schalter auf dem Schlauch wieder aus und ziehen den Schlauch aus der Saugdose. Beim Herausziehen des Schlauchs aus der Saugdose sollten Sie den Deckel der Dose für wenige Sekunden offen halten, damit die Dichtung der Dose weniger belastet wird.

Siehe Seite 7, Abbildung 8

KONTROLLLEUCHTEN - MODELLABHÄNGIG

Ihr Zentralstaubsauger ist mit einigen oder allen unten aufgeführten Kontrollleuchten ausgestattet.

Siehe Seite 7, Abbildung 9



Ein/Aus



Motorfehler



Schmutzeimer
vol



Rücksetzen

Die Zentraleinheit ist mit mehrfarbigen Kontrollleuchten ausgestattet. Die Kontrollleuchten weisen auf die Leistung der Zentraleinheit und auf Wartungserfordernisse hin und helfen bei der Fehlerdiagnose. Im Folgenden sind die verschiedenen Meldungen beschrieben, die von den Kontrollleuchten gegeben werden.

NORMALBETRIEB

Wenn die Zentraleinheit ausgeschaltet, aber in Bereitschaft ist, leuchtet die Leuchtaste ROT.

Wenn die Zentraleinheit eingeschaltet und in Betrieb ist, leuchtet die Kontrollleuchte GRÜN. Die Motorfehler-Leuchte wird weiter unten beschrieben. Wenn die Schmutzeimer-Leuchte leuchtet, sollte der Schmutzeimer entleert werden. Danach die Rücksetztaste 10 Sekunden lang drücken.

MOTORFEHLER

Wenn die Sicherung durchgebrannt oder der Netzstecker gezogen ist, funktioniert die Zentraleinheit nicht und die ROTE, GRÜNE und GELBE Leuchte bleiben an.

Schaltet sich die Zentraleinheit wegen eines zu hohen Stroms ab, blinkt die ROTE Leuchte der Ein/Aus-Taste, die GRÜNE Leuchte blinkt schnell und die MOTORFEHLER-Leuchte blinkt schnell GELB. Wenn die Niederspannungsverbindung am Schlauch ausgeschaltet ist, setzt sich dieser Fehler nach 15 Sekunden automatisch zurück. Schaltet das Gerät ab, weil der Motor zu viel Strom zieht, während der Schalter am Schlauch eingeschaltet ist, leuchtet die ROTE Leuchte der Ein/Aus-Taste, die GRÜNE Leuchte blinkt langsam und die MOTORFEHLER-Leuchte blinkt langsam GELB.

Sollte der unwahrscheinliche Fall eintreten, dass die Netzfrequenz nicht stimmt, läuft die Zentraleinheit nicht an und die ROTE Leuchte der Ein/Aus-Taste ist an. Bei zu hoher Netzspannung blinken die ROTE und die GRÜNE Leuchte der Ein/Aus-Taste abwechselnd. Nach dreimaligem abwechselnden Blinken folgt eine kurze Pause und nach weiterem dreimaligen Blinken folgt eine lange Pause. Dieses Blinksignal wiederholt sich so lange, bis die Netzspannung wieder im normalen Bereich ist.

BILDSCHIRMANZEIGE - OPTIONAL



Siehe Seite 7, Abbildung 8

Im Hauptteil des Bildschirms ist das Electrolux-Logo zu sehen. Das Logo läuft seitlich über den Bildschirm, damit dieser geschont wird. Das Logo wird angezeigt, wenn die Zentraleinheit nicht in Betrieb ist.

Die Zentraleinheit kann mit der linken Taste eingeschaltet werden. Mit der gleichen Taste wird die Zentraleinheit auch ausgeschaltet. Der Zentralstaubsauger kann natürlich auch von allen Saugdosen aus eingeschaltet werden.

Im Bereitschaftsmodus leuchten vier weiße Punkte auf dem Bildschirm der Reihe nach von links nach rechts und von rechts nach links auf. Diese ständig laufende Lichterfolge weist darauf hin, dass die Zentraleinheit betriebsbereit und fehlerfrei ist.

IN BETRIEB



Wenn das Gerät eingeschaltet wird, leuchtet die Ein/Aus-Anzeige grün. Die vier Leistungssäulen werden angezeigt. Bei einem richtig funktionierenden Gerät sind alle vier Leistungssäulen zu sehen. Werden ständig weniger als zwei Säulen angezeigt, liegt ein Fehler vor, der behoben werden sollte. Folgende Fehler können vorliegen:


1. Saugschlaucheinlass blockiert.
2. Rohr verstopft.
3. Es wird ein Aufsatz wie z. B. ein Schlitzaufsatz verwendet, der den Luftstrom behindert.
4. Schmutzeimer voll.
5. Filtersystem verstopft.

SCHMUTZEIMER LEEREN



Alle 25 Betriebsstunden (etwa alle 6 Monate) blinkt das Symbol für "Schmutzeimer leeren". Dies soll daran erinnern, den Schmutzeimer zu überprüfen und zu leeren. Diese Anzeige ist zeitabhängig. Darum kann der Schmutzeimer schon übervoll oder noch ziemlich leer sein. Wenn Sie also Haustiere oder eine Werkstatt haben oder anderweitig viel Schmutz anfällt, sollte der Schmutzeimer öfter überprüft werden.

Nach dem Leeren des Schmutzeimers drücken Sie die ganz rechts befindliche Taste, um den Betriebsstundenzähler wieder auf null zurückzusetzen. Der Betriebsstundenzähler bleibt von einem Stromausfall unberührt.

Die Anzeige kann jederzeit manuell zurückgesetzt werden, indem die linke Taste 10 Sekunden lang gedrückt wird. 

LEBENSZEITANZEIGE



Die Lebenszeitanzeige besteht aus acht Säulen. Wenn alle Säulen verschwunden sind, läuft das Gerät zwar weiter, es wird jedoch empfohlen, das Gerät zu Ihrem Vertragshändler zu bringen, um es überprüfen und warten zu lassen. Jede Säule der Lebenszeitanzeige bedeutet 65 Stunden Betriebszeit; der Zentralstaubsauger muss also nicht sehr oft gewartet werden. Der Lebenszeitzähler kann nur von einem Wartungstechniker zurückgesetzt werden. Der Lebenszeitzähler bleibt von einem Stromausfall unberührt.

SERVICEANZEIGE



Wenn ein Fehler auftritt, blinkt die Serviceanzeige. Schalten Sie das Gerät aus und ziehen Sie den Netzstecker 10 Sekunden lang aus der Steckdose. Blinkt die Anzeige nach dem Wiedereinstecken des Steckers immer noch, sollten Sie den Reparaturdienst rufen.


Die Serviceanzeige kann durch folgende Fehler ausgelöst werden:

- Motor fehlerhaft
- Elektronik fehlerhaft
- Spannung oder Strom zu hoch oder zu niedrig
- Zentraleinheit reagiert nicht auf die Elektronik


BILDSCHIRMBEDIENUNG



Wenn das Gerät nicht benutzt wird, können Sie sich die verschiedenen Informationen wie den Status des Schmutzeimers, die Zeit zur nächsten Wartung und die zuletzt gemessene Leistung anzeigen lassen.

Die einzelnen Anzeigen wählen Sie mit dem nach rechts zeigenden Pfeil. 

Die nächste Anzeige betrifft die Lebenszeit. Nach abermaligem Betätigen erscheint der Status des Schmutzeimers. Ein weiteres Betätigen zeigt die zuletzt gemessene Leistung der Zentraleinheit an, die auch die Anzeige IN BETRIEB während der letzten Benutzung des Geräts angezeigt hat. Eine letzte Betätigung des Rechtspfeils ruft die Rufnummer des Kundendienstes auf.

Mit der linken Pfeiltaste können Sie durch die verschiedenen Anzeigen zurückgehen. 

BEUTELADAPTER

Die Zentraleinheit kann mit einem Papierbeutel ausgestattet werden, der die Schmutzentsorgung einfacher macht. Weitere Informationen hierzu finden Sie im Abschnitt Filterwartung unter Papierbeutelfilter.

Siehe Seite 7, Abbildung 10

SAUGDOSE AN DER ZENTRALEINHEIT

Die Saugdose an der Zentraleinheit funktioniert wie alle anderen installierten Dosen. Sie ist für das Reinigen des Bereichs um die Zentraleinheit herum gedacht, z. B. wenn beim Leeren des Schmutzeimers Staub anfällt.

ÜBERHITZUNGSSCHUTZ

Wenn sich die Leiterplatte zu stark erhitzt, schaltet sich das Gerät aus. Bei Geräten ohne Bildschirm erlischt die Kontrollleuchte, bei Geräten mit Bildschirm blinkt dieser. In diesem Fall drücken Sie die Ein/Aus-Taste und ziehen den Schlauch solange aus der Dose bis die Temperatur wieder im normalen Bereich ist. Bleibt der Fehler bestehen, setzen Sie sich mit dem Vertragshändler in Verbindung.

Siehe Seite 7, Abbildung 9

ÜBERLASTSCHUTZ

Weiterhin werden folgende Betriebszustände überwacht: Netzspannung und Strom. Bei zu hoher oder zu niedriger Betriebsspannung, zu hohem Strombedarf oder einem blockierten Rotor kann der Zentralstaubsauger nicht betrieben werden. In diesem Fall blinkt die Ein/Aus-Taste bzw. der Bildschirm. Bleibt der Fehler bestehen, setzen Sie sich mit dem Vertragshändler in Verbindung. Die Zentraleinheit benötigt 30 Minuten zum Abkühlen.

Siehe Seite 7, Abbildung 9

DIAGNOSE UND WARTUNG

Ein verminderter Luftstrom weist darauf hin, dass der Zentralstaubsauger nicht optimal arbeitet. Wenn der Schmutzeimer voll oder der Filter verstopft ist, ist der Luftstrom durch die Zentraleinheit blockiert und die Saugwirkung entsprechend gering. Diese Anleitung beschränkt sich auf normale Wartungsarbeiten. Damit der Luftstrom nicht behindert wird, sollten Sie Schmutzeimer und Filter sauber halten und dafür sorgen, dass Plastikrohre und Saugschlauch nicht verstopfen.

ENTLEEREN DES SCHMUTZEIMERS

Bei den meisten Modellen ist der Schmutzeimer mit einem Fenster versehen, durch das man erkennen kann, wann der Eimer entleert werden muss. Normalerweise muss der Schmutzeimer nur zwei bis drei Mal jährlich entleert werden. Um den Schmutzeimer abzunehmen, drücken Sie auf die Knöpfe, die sich auf den Griffen des Eimers befinden. Jetzt können Sie den Eimer entleeren. Dann befestigen Sie den Schmutzeimer wieder an der Zentraleinheit. Der Eimer muss korrekt installiert werden, damit keine Luftleckage entsteht.

Siehe Seite 7, Abbildung 11

FILTERWARTUNG

Der Electrolux-Filter ist ein permanenter, selbstreinigender Filter. Fragen zu diesem Filter beantwortet Ihnen gern Ihr Vertragshändler.

PAPIERBEUTELFILTER - OPTIONAL

Der Papierbeutel hat ein Volumen von 22 Litern. Ein voller Staubbeutel beeinträchtigt die Leistung des Zentralstaubsaugers. Je nach Gebrauch des Zentralstaubsauger muss der Staubbeutel etwa zwei bis drei Mal jährlich gewechselt werden. Er ist von Ihrem Vertragshändler erhältlich.

Anleitung zum Wechseln des Staubbeutels:

1. Schmutzeimer von der Zentraleinheit abnehmen.
2. Staubbeutel vom Einlassrohr abnehmen und entsorgen.
3. Staubbeutel fest in das Rohr schieben. Die Öffnung des Staubbeutels drehen, damit eine gute Verbindung zum Rohr hergestellt wird.
4. Schmutzeimer wieder an der Zentraleinheit anbringen.

SOLLTEN SIE PROBLEME MIT DEM ZENTRALSTAUBSAUGER VON ELECTROLUX HABEN, SO ÜBERPRÜFEN SIE BITTE FOLGENDE PUNKTE, BEVOR SIE DEN KUNDENDIENST RUFEN.

SAUGLEISTUNG IST VERMINDERT

- Ist der Schmutzeimer korrekt installiert?
- Schmutzeimer entleeren.
- Filter säubern.
- Sind alle Saugdosen richtig verschlossen?

VERSTOPFTE ROHRE FREIMACHEN

Verstopfter Schlauch

Schlauch in verschiedene Saugdosen stecken. Wenn die Saugwirkung bei allen Saugdosen vermindert ist, ist der Schlauch verstopft. Um die Verstopfung zu beseitigen, stecken Sie einen langen stupfen Gegenstand hinein (Gartenschlauch, Besenstiel). Sie können auch versuchen, die Saugrichtung im Schlauch umzukehren, um die Verstopfung zu beseitigen.

Siehe Seite 7, Abbildung 12 und 13

Wenn die Saugwirkung bei mindestens einer Saugdose normal ist, befindet sich die Verstopfung zwischen den wirkungslosen Saugdosen und der Zentraleinheit (siehe folgende Anleitung).

Stecken Sie den Schlauch in eine wirkungslose Saugdose. Verschließen Sie das Schlauchende mit der flachen Hand. Ziehen Sie die Hand rasch vom Schlauchende weg. Wiederholen Sie den Vorgang mehrmals. Wenn sich die Verstopfung nicht beseitigen lässt, setzen Sie sich mit Ihrem Electrolux-Vertragshändler in Verbindung.

ZENTRALEINHEIT LÄUFT NICHT AN.

- Ist die Sicherung durchgebrannt oder der Sicherungsschalter im Sicherungskasten angesprochen?
- Überprüfen Sie an sämtlichen Saugdosen und Niederspannungsanschlüssen, ob sich ein Draht gelöst hat.
- Bleibt der Fehler bestehen, setzen Sie sich bitte mit Ihrem Vertragshändler in Verbindung.

ZENTRALEINHEIT LÄSST SICH NICHT ABSCHALTEN.

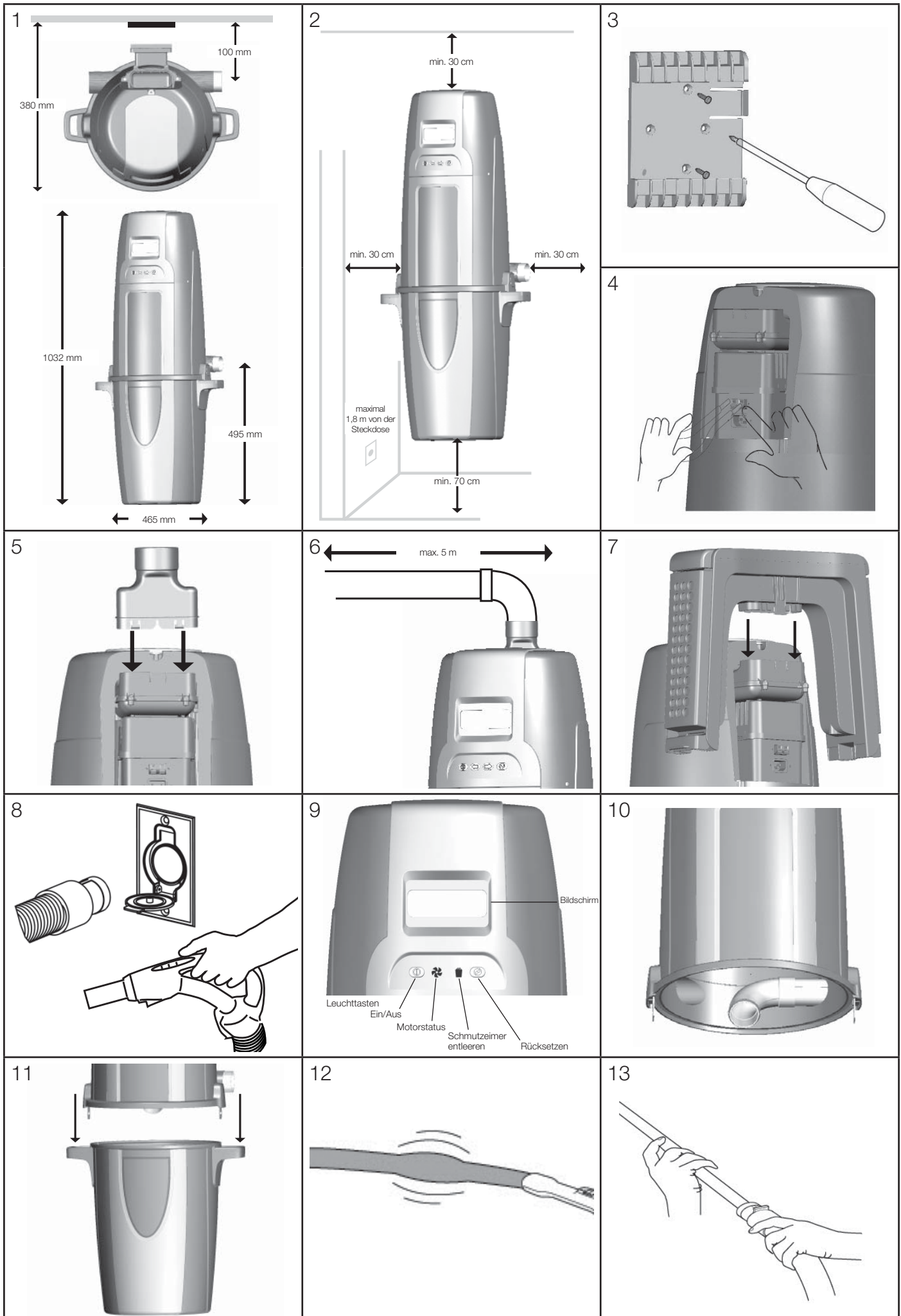
- Überprüfen Sie in jeder Saugdose, ob die Niederspannungskontakte frei sind. Sind die Kontakte in Ordnung, ziehen Sie den Netzstecker des Staubsaugers aus der Steckdose. Setzen Sie sich mit Ihrem Vertragshändler in Verbindung.

GERÄT SCHALTET SICH SELBSTÄNDIG AUS

- Saugschlauch aus der Saugdose ziehen und wieder einsetzen. Schalter am Schlauchgriff aus- und wieder einschalten. Siehe "Überlastschutz".

GARANTIE

Garantiefälle werden von Ihrem Vertragshändler abgewickelt. Bei Fragen zur Garantie steht Ihnen Ihr Vertragshändler gern zur Verfügung.



Importanti misure di sicurezza.....	2
Informazioni generali.....	3
Installazione.....	3
Test del sistema.....	4
Istruzioni per l'uso.....	4
Indicazioni LED.....	4
Schermo LCD.....	4
Riduttore per sacchetto.....	5
Valvola accessoria.....	5
Protezione da surriscaldamento.....	5
Protezione da sovraccarico.....	5
Diagnostica e manutenzione.....	5
Manutenzione del filtro.....	6
Filtro del sacchetto di carta.....	6
Individuazione dei problemi.....	6
Immagini.....	7

CONTENUTO

L'imballaggio del sistema aspirapolvere contiene i seguenti pezzi.



IMPORTANTI MISURE DI SICUREZZA

Quando si utilizza un elettrodomestico, è necessario adottare sempre misure precauzionali di base, comprese le seguenti:

LEGGERE ATTENTAMENTE TUTTE LE ISTRUZIONI PRIMA DI UTILIZZARE IL SISTEMA ASPIRAPOLVERE.

Questa unità di potenza di aspirazione è concepita per l'aspirazione delle normali polveri domestiche.

AVVERTENZA

Per ridurre il rischio di incendio, scosse elettriche o lesioni:

- Non usare all'esterno o su superfici umide.
- Non bloccare il coperchio del motore o non ostruire le aperture di ventilazione e il condotto nella parte superiore dell'unità di potenza. La mancanza di circolazione dell'aria di ventilazione farà surriscaldare il motore.
- Non posizionare l'unità di potenza in ambienti ad alte temperature o non accessibili, come una soffitta o un sottotetto.
- Montare l'unità di potenza a non meno di 30 cm dal soffitto o dalle pareti adiacenti e almeno a 70 cm dal pavimento. Inoltre, verificare eventuali disposizioni e normative locali in vigore.
- L'impianto non deve essere usato come un giocattolo. Prestare maggiore attenzione se usato da o in presenza di bambini.
- Questo elettrodomestico non è stato concepito per l'uso da parte di persone (bambini compresi) con capacità fisiche, sensoriali e mentali ridotte o mancanza di esperienza e conoscenza, a meno che non siano sorvegliati o siano state date loro istruzioni riguardo l'uso dell'elettrodomestico da una persona responsabile per la loro sicurezza.
- Utilizzare l'impianto soltanto nel modo descritto in questo manuale. Utilizzare solamente accessori raccomandati dal produttore.
- Non utilizzare in presenza di danni al cavo di alimentazione o alla spina. Se l'aspirapolvere presenta un funzionamento anomalo, è caduto a terra, è danneggiato, è stato lasciato all'aperto o è caduto nell'acqua, portarlo presso un rivenditore/fornitore autorizzato.
- Collegare solo a una presa con idonea messa a terra (fare riferimento alle istruzioni di messa a terra).
- Non utilizzare prolunghe o prese di corrente con tensione inadeguata.
- Spegnerne tutti i comandi prima di scollegare la spina dalla presa di corrente.
- Non scollegare dalla corrente tirando il cavo. Per scollegare, afferrare la spina e non il cavo.
- Non maneggiare il cavo o la spina con le mani bagnate.
- Non inserire alcun oggetto nelle aperture. Non utilizzare l'unità se una delle aperture è bloccata; rimuovere tracce di polvere, filaccia, capelli e qualsiasi altra cosa che possa ridurre il flusso d'aria.
- Questo aspirapolvere crea un risucchio d'aria. Tenere sempre capelli, vestiario abbondante, dita e ogni altra parte del corpo distanti dalle aperture dell'apparecchio.
- Non aspirare materiali che stiano bruciando o fumando, come sigarette, fiammiferi o ceneri calde.
- Fare molta attenzione quando si puliscono le scale
- Non aspirare mai liquidi infiammabili o combustibili come benzina né utilizzare mai in zone dove possa essere presente materiale di questo tipo.
- Lavorare in ambienti ben illuminati.
- Disinserire la spina dagli apparecchi elettrici prima di passarvi l'aspirapolvere.
- Se il cavo di alimentazione è danneggiato, deve essere sostituito da uno speciale cavo fornito dal rivenditore/fornitore locale autorizzato.
- Non usare se il sacchetto per la polvere e/o il filtro non sono al loro posto.

CONSERVARE QUESTE ISTRUZIONI

INFORMAZIONI GENERALI

L'aspirapolvere centralizzato è progettato per l'aspirazione dello sporco e della polvere domestici. Evitare di aspirare oggetti duri o appuntiti che potrebbero danneggiare oppure ostruire le condutture e i tubi di plastica.

Questo manuale tratta le fasi finali dell'installazione dell'unità di potenza in casa. Inoltre fornisce tutte le informazioni necessarie per la manutenzione e l'individuazione di problemi, nella remota possibilità che possano presentarsi. Qualora fossero necessarie ulteriori informazioni sull'installazione o domande sul prodotto, contattare il rivenditore/fornitore locale autorizzato.

ATTREZZATURA DI SICUREZZA PER L'INSTALLAZIONE

Per la preparazione delle pareti e delle coperture, si consiglia di utilizzare attrezzature di sicurezza come elmetto, guanti, occhiali e tappi per le orecchie.



ATTENZIONE



Prestare attenzione quando si praticano fori nelle pareti poiché potrebbero essere presenti condutture del gas e dell'acqua e cavi elettrici.

Se si hanno domande riguardanti il prodotto, i pezzi di ricambio, l'assistenza, la garanzia o qualsiasi altra informazione, contattare il rivenditore o il fornitore locale autorizzato.

ISTRUZIONI PER LA MESSA A TERRA

Questo elettrodomestico deve essere collegato a terra. In caso di funzionamento anomalo o di guasto, la messa a terra fornisce un percorso di resistenza minore per la corrente elettrica riducendo il rischio di scosse elettriche. Questo elettrodomestico è provvisto di un cavo dotato di conduttore e spina per la messa a terra. La spina deve essere inserita in una presa appropriata, correttamente installata e messa a terra secondo le disposizioni e ordinanze locali.

AVVERTENZA



Il collegamento improprio del conduttore per la messa a terra può determinare il rischio di scosse elettriche. In caso di dubbi sulla corretta messa a terra o se la spina non entra nella presa, contattare un elettricista qualificato. Non modificare la spina fornita con l'elettrodomestico.

AVVERTENZA



Se il cavo di alimentazione è danneggiato, deve essere sostituito da uno speciale cavo fornito dal rivenditore/fornitore locale autorizzato.

INFORMAZIONI DI ASSISTENZA

Le istruzioni di questo libretto servono come guida per la manutenzione ordinaria. Per ulteriori informazioni, contattare il più vicino rivenditore/fornitore autorizzato.

TARGHETTA DI VALUTAZIONE

Il modello, tipo e numero di serie sono indicati sulla targhetta di valutazione sul pannello di controllo o coperchio del motore. Per informazioni di assistenza sollecite e complete, fare sempre riferimento a questi numeri quando si richiede assistenza.

AVVERTENZA



La mancata osservanza delle misure di sicurezza può portare a lesioni personali.

DIMENSIONI DEL PRODOTTO

Fare riferimento a pagina 7 – Immagine 1

RICICLAGGIO DI APPARECCHIATURE ELETTRICHE ED ELETTRONICHE (WEEE)



Il simbolo presente sul prodotto o sull'imballaggio indica che il prodotto non può essere smaltito come un normale rifiuto domestico. Dovrà invece essere consegnato al punto più vicino di raccolta per il riciclaggio delle apparecchiature elettriche ed elettroniche. Garantendo un corretto smaltimento di questo prodotto, si aiuterà a prevenire potenziali conseguenze negative per l'ambiente e la salute umana, che potrebbero altrimenti essere causate da una gestione inappropriata del rifiuto. Per ulteriori e dettagliate informazioni su questo prodotto, contattare il servizio locale di gestione dei rifiuti o il negozio in cui è stato acquistato.

INSTALLAZIONE

Se la casa è già provvista di un impianto di condutture di plastica e di valvole di aspirazione, si può procedere all'installazione dell'unità centrale di potenza. Se la casa non è provvista di un sistema aspirapolvere centralizzato, è possibile farsi installare l'impianto aspirapolvere centralizzato Electrolux da un professionista contattando il rivenditore o rifornitore locale oppure scegliere di installarlo da sé.

L'unità centrale di potenza deve essere posizionata in un locale il più lontano possibile dalla zona giorno e dalle camere, ma facilmente accessibile in modo da rimuovere il vano polvere, raggiungere il filtro e controllare l'unità centrale di potenza. Una collocazione tipica potrebbe essere il garage, dove è possibile pulire l'auto o il locale stesso; inoltre è il luogo più pratico per vuotare il vano polvere e pulire il filtro. Altri locali adatti sono la cantina, il locale lavanderia o un ripostiglio ventilato.

ATTENZIONE



Prestare attenzione quando si praticano fori nelle pareti poiché potrebbero essere presenti condutture del gas e dell'acqua e cavi elettrici. È consentito praticare fori nella muratura solo se non ne compromettono la stabilità. Conviene praticare i fori sui montanti di legno. A seconda del materiale con cui è realizzata la casa, usare i sostegni appropriati per fissare l'unità di potenza. Quest'ultima viene fissata facendola scivolare sulle guide a muro fino al clic.

Fare riferimento a pagina 7 – Immagine 3

- Collocare l'unità centrale di potenza in un luogo distante dalla zona giorno e dalla zona notte. Il collegamento tra lo scarico e il tubo di ventilazione dovrebbe essere agevole. Il collegamento può avvenire a prescindere dal materiale di costruzione della casa.
- Posizionare i due fili a basso voltaggio vicino al tubo principale. Rimuovere l'isolamento dal filo a basso voltaggio. Inserire il filo a basso voltaggio nei connettori a basso voltaggio con sportello a molla. Accertarsi di rispettare le disposizioni e normative locali riguardo al materiale elettrico.

Fare riferimento a pagina 7 – Immagine 4

- Accertarsi di avere una presa elettrica esclusiva per l'unità di potenza.
- Collegare il sistema aspirapolvere centralizzato con il cavo di alimentazione in dotazione.

Electrolux Oxygen CVS non richiede l'assemblaggio di un silenziatore. Quest'ultimo è integrato all'interno del sistema aspirapolvere centralizzato. Tuttavia, nel caso si voglia espellere l'aria all'esterno, sarà necessario montare il riduttore di scarico. Questo adatterà le dimensioni dello scarico al diametro del tubo centrale di aspirazione.

Fare riferimento a pagina 7 – Immagine 5

- Posizionare l'unità di potenza in modo che il tubo di scarico sia il più corto possibile. Il tubo di scarico non dovrebbe superare la lunghezza di 5 metri.
- Tenere presente che potrebbe essere necessario dello spazio ai lati dell'unità centrale in modo da poter accedere al vano polvere.

Fare riferimento a pagina 7 – Immagine 6

- Allineare la presa di aspirazione dell'unità di potenza con la linea principale a muro. **NON INCOLLARE.** Se lo scarico è esterno, collegare il tubo di scarico allo scarico del motore. Verificare che il tubo di scarico sia il più corto possibile.

NOTA: montare l'unità centrale di potenza ad almeno 30 cm dal soffitto e dalle pareti adiacenti, ad almeno 70 cm dal pavimento e a una distanza non superiore a 1,8 m da una presa elettrica. Verificare eventuali disposizioni e normative locali in vigore.

Fare riferimento a pagina 7 – Immagine 2

AVVERTENZA

Non bloccare il coperchio né ostruire le aperture di ventilazione nella parte superiore dell'unità centrale di potenza. La mancanza di ventilazione farà surriscaldare il motore.

AVVERTENZA

Non posizionare l'unità centrale di potenza in ambienti ad alte temperature o non accessibili, come una soffitta o un sottotetto.

Per il massimo in termini di controllo dell'aria esiste il filtro True HEPA: si può scegliere di includerlo nell'unità di potenza oppure di acquistarlo presso un rivenditore/fornitore autorizzato. Collegare semplicemente il filtro True HEPA come nell'immagine.

Fare riferimento a pagina 7 – Immagine 7

TEST DEL SISTEMA

Accertarsi di rispettare le disposizioni e normative locali riguardo al materiale elettrico. Collegare l'unità a una regolare presa di corrente. Ora è possibile controllare l'installazione dell'unità:

- Accertarsi che il filtro sia correttamente installato all'interno dell'unità di potenza.
- Accertarsi che il vano polvere sia correttamente montato all'interno dell'unità di potenza.
- Inserire il tubo in ogni valvola di ingresso per verificare che i contatti elettrici funzionino nel modo corretto.
- Controllare che le valvole di ingresso non abbiano perdite d'aria.
- Controllare che i collegamenti con il tubo non abbiano perdite d'aria.

Fare riferimento a pagina 7 – Immagine 8

COME UTILIZZARE IL SISTEMA ASPIRAPOLVERE CENTRALIZZATO

Il sistema aspirapolvere centralizzato viene controllato tramite un interruttore presente sul tubo. Inserire semplicemente il tubo nella valvola e portare l'interruttore in posizione on. In questo modo si metteranno in funzione l'unità centrale e il flusso d'aria.

Al termine, portare l'interruttore in posizione off e scollegare il tubo dalla valvola di ingresso. Mentre si scollega il tubo, mantenere aperto lo sportello della valvola di ingresso per alcuni secondi per permettere la diminuzione del risucchio d'aria e proteggere la tenuta della valvola di ingresso.

Fare riferimento a pagina 7 – Immagine 8

INDICAZIONI LED - OPTIONAL A SECONDA DEL MODELLO

L'apparecchio può essere dotato di tutti o alcuni degli indicatori sotto elencati.

Fare riferimento a pagina 7 – Immagine 9



On/Off



Guasto al motore



Vano polvere pieno



Reset

L'unità di potenza è dotata di un pannello LED a più colori. Il pannello LED fornisce le informazioni necessarie sul funzionamento, la manutenzione e la diagnostica dell'unità di potenza. Sotto vengono descritti i diversi messaggi forniti dall'unità di potenza.

NORMALE FUNZIONAMENTO

Quando l'unità di potenza è SPENTA e in modalità standby, il pulsante LED sarà ROSSO.

Quando l'unità di potenza è ACCESA e in funzione, il LED sarà VERDE. Quando la spia del guasto al motore è ACCESA, vedere sotto la descrizione dettagliata. Se la spia del vano polvere è ACCESA, vuotare il vano polvere e tenere premuto il pulsante RESET per 10 secondi.

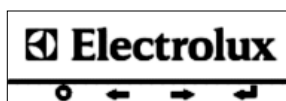
GUASTO AL MOTORE

Se salta un fusibile o si scollegano i fili del motore e l'unità di potenza non è in funzione, le spie ROSSA, VERDE e GIALLA rimarranno accese in modo fisso.

In caso di interruzione di corrente, la spia ROSSA del pulsante ON/OFF sarà lampeggiante, la spia VERDE lampeggerà rapidamente e la spia di GUASTO AL MOTORE sarà GIALLA e lampeggerà rapidamente. Questo allarme si resetterà automaticamente in 15 secondi se la connessione a basso voltaggio al tubo è SPENTA. In caso di interruzione protratta della corrente e la connessione a basso voltaggio al tubo è ACCESA, la spia ROSSA del pulsante ON/OFF sarà fissa, la spia VERDE lampeggerà lentamente e la spia di GUASTO AL MOTORE sarà GIALLA e lampeggerà lentamente.

Nella remota possibilità che l'unità di potenza riceva una cattiva frequenza, l'unità di potenza non entrerà in funzione e la spia ROSSA del pulsante ON/OFF sarà fissa. Nel caso l'unità di potenza riceva una linea ad alto voltaggio, la spia del pulsante ON/OFF alternerà ROSSO e VERDE per tre volte – pausa breve – poi alternerà ancora ROSSO e VERDE tre volte – pausa lunga – e ripeterà daccapo. La sequenza di spie continuerà finché il voltaggio della linea non ritorna al livello corretto.

SCHERMO LCD - OPTIONAL



Fare riferimento a pagina 7 – Immagine 8

Sulla schermata principale dello schermo LCD apparirà il logo Electrolux. Il logo può scorrere da una parte all'altra dello schermo per evitare che l'immagine si fissi sul display LCD. Il logo sarà visibile quando l'unità di potenza non è in funzione.

Per mettere in funzione l'unità di potenza, utilizzare il pulsante dello schermo che corrisponde al simbolo di accensione. Premere questo pulsante per accendere/spengere l'unità. Inoltre, l'unità può essere attivata da una qualsiasi valvola di ingresso installata.

Quando l'unità di potenza è in modalità standby, le quattro spie bianche dell'LCD si accenderanno in sequenza da sinistra a destra e poi da destra a sinistra. Questa sequenza si ripete continuamente e indica che l'unità di potenza è pronta all'uso e funziona correttamente.

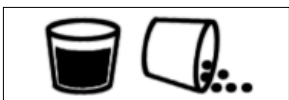
IN FUNZIONE



Quando l'unità è in funzione, l'indicatore di accensione diventa verde. Appariranno le 4 barre progressive di prestazione. L'unità che funziona normalmente dovrebbe presentare tutte e 4 le barre di prestazione accese. Se le barre accese sono sempre meno di 2, sarà necessario individuare il problema. Alcune possibili cause che riducono il numero delle barre di prestazione potrebbero essere:

1. Riscucchio d'aria bloccato all'estremità del tubo
2. Conduttura ostruita all'interno dell'impianto
3. Si sta usando un accessorio che riduce il flusso d'aria, come una bocchetta a lancia
4. Vano polvere pieno
5. Sistema di filtrazione ostruito

VUOTARE IL VANO POLVERE



Ogni 25 ore di aspirazione (circa 6 mesi) sullo schermo lampeggerà la spia che segnala il vano polvere pieno. La spia indica di controllare il vano polvere e vuotarlo. Dato che la spia si accende dopo un determinato periodo di tempo, il vano polvere potrebbe essere troppo o non abbastanza pieno. In presenza di animali domestici, di un laboratorio o di altri fattori che causano una maggior produzione di scarti, potrebbe essere necessario controllare più frequentemente il vano polvere.

Dopo aver vuotato il vano polvere, premere il pulsante Invio per resettare il timer di 25 ore. Se l'alimentazione si interrompe, o il cavo è scollegato, la spia del vano polvere pieno manterrà una memoria del suo precedente stato e continuerà la misurazione del tempo.

Per resettare manualmente la spia del vano polvere pieno, tenere premuto semplicemente il pulsante corrispondente al simbolo Invio per 10 secondi.

CONTATORE DI VITA



Il contatore di vita presenta 8 barre. L'unità continua a funzionare anche quando tutte le barre saranno spente, sebbene si raccomanda vivamente di portarla presso il rivenditore/fornitore locale autorizzato per farla controllare e sottoporla a manutenzione. Ogni barra del contatore si spegne dopo 65 ore di aspirazione, il che significa una vita più lunga del sistema aspirapolvere centralizzato. Il contatore di vita può essere resettato solo da un tecnico dell'assistenza. Se l'alimentazione si interrompe, o il cavo è scollegato, il contatore di vita manterrà una memoria del suo precedente stato e continuerà la misurazione del tempo.

INDICATORE DI ASSISTENZA



Se è presente un guasto nel sistema o l'unità di potenza funziona in modo anomalo, l'indicatore di assistenza inizierà a lampeggiare. Appena si nota questo simbolo, si consiglia di spegnere l'unità di potenza, disinserire la spina per 10 secondi e quindi inserirla nuovamente. Se il simbolo compare ancora sullo schermo, si consiglia di contattare l'assistenza.

Il simbolo può apparire a causa dei seguenti guasti:

- Problema al motore
- Problema elettronico
- Problema di corrente o di voltaggio (troppo alto o troppo basso)
- L'unità di potenza non risponde ai comandi elettronici

SCORRERE LO SCHERMO LCD



Quando l'unità non è in funzione, è possibile scorrere le funzioni dello schermo LCD per osservare lo stato del vano polvere, il contatore di vita o l'ultimo livello di potenza registrato.

Per scorrere queste funzioni, premere semplicemente il pulsante corrispondente alla freccia verso destra.

La schermata successiva sarà il contatore di vita. Proseguendo a destra si trova lo stato del vano polvere. Proseguendo si potranno osservare gli ultimi livelli di prestazione dell'unità di potenza registrati secondo le barre di prestazione che compaiono sullo schermo quando l'apparecchio è in funzione. Premendo un'ultima volta la freccia a destra apparirà il numero telefonico per l'assistenza clienti.

Il pulsante corrispondente alla freccia verso sinistra permette di scorrere le schermate all'indietro.

RIDUTTORE PER SACCHETTO

All'interno dell'unità di potenza è possibile inserire un appropriato sacchetto di carta per un più corretto smaltimento dello sporco. Per la manutenzione del sacchetto di carta, vedere la sezione Filtro del sacchetto di carta, sotto la voce Manutenzione del filtro.

Fare riferimento a pagina 7 – Immagine 10

VALVOLA ACCESSORIA

La valvola accessoria è simile a una valvola di ingresso, ma si trova vicino all'unità di potenza. Si tratta di una valvola per la comodità dell'utente, poiché permette di aspirare le fuoriuscite di sporco intorno all'unità centrale.

PROTEZIONE DA SURRISCALDAMENTO

Se la piastra dei circuiti raggiunge una temperatura elevata, l'unità di potenza smetterà di funzionare e il LED apparirà spento, oppure, se l'unità è provvista di LCD, lo schermo lampeggerà. In questo caso, premere il pulsante On/Off, scollegare il tubo o attendere che la temperatura si abbassi. Se il problema persiste, contattare il rivenditore o il fornitore locale autorizzato.

Fare riferimento a pagina 7 – Immagine 9

PROTEZIONE DA SOVRACCARICO

Il sistema aspirapolvere centrale utilizza delle funzioni che monitorano i seguenti livelli di funzionamento: voltaggio CA e corrente assorbita. Se il voltaggio è inferiore o superiore allo standard di funzionamento, l'assorbimento di corrente è alto o il rotore è bloccato, l'unità di potenza cesserà di funzionare. In questo caso il pulsante On/Off lampeggerà finché il problema non cessa oppure, se l'unità è provvista di LCD, lo schermo lampeggerà. Se il problema persiste, contattare il rivenditore o il fornitore locale autorizzato. L'unità di potenza necessita di 30 minuti per raffreddarsi.

Fare riferimento a pagina 7 – Immagine 9

DIAGNOSTICA E MANUTENZIONE

Il flusso o il riscucchio d'aria ridotti indicano che il sistema aspirapolvere centralizzato non opera alla massima efficienza. Se il vano polvere è pieno e il filtro è ostruito, l'aria non può passare attraverso l'unità e quindi l'aspirazione non può avvenire. Le istruzioni fornite nel libretto servono come guida per la manutenzione ordinaria. È possibile garantire flusso o riscucchio d'aria corretti mantenendo il vano polvere e i filtri puliti ed evitando di ostruire il tubo e le condutture di plastica.

VUOTARE IL VANO POLVERE

Gran parte dei modelli sono contraddistinti da finestre sul vano polvere per determinare a prima vista quando è necessario vuotarlo. Nella maggior parte dei casi, il vano polvere deve essere vuotato solo due o tre (2-3) volte l'anno. Per rimuovere il vano polvere, premere i pulsanti sulle maniglie del vano. Rimuovere il vano e vuotarne il contenuto. Rimettere il vano a posto fissandolo all'unità di potenza. Per evitare una diminuzione del risucchio d'aria, fissare saldamente il vano.

Fare riferimento a pagina 7 – Immagine 11

MANUTENZIONE DEL FILTRO

Il filtro esclusivo di Electrolux è permanente e autopulente. Tuttavia, in caso di domande riguardo al filtro permanente e autopulente, contattare il rivenditore/fornitore locale autorizzato.

FILTRI DEL SACCHETTO DI CARTA - OPTIONAL

Il volume del sacchetto di carta è di 22 litri. Se il sacchetto è pieno, le prestazioni del sistema si riducono. A seconda della frequenza di utilizzo del sistema aspirapolvere centralizzato, il sacchetto dovrebbe essere cambiato 2-3 volte l'anno ed è reperibile presso il rivenditore/fornitore locale autorizzato.

Istruzioni per la sostituzione del sacchetto:

1. Rimuovere il vano polvere dell'unità di potenza.
2. Sfilare il sacchetto dal tubo di ingresso e gettarlo nei rifiuti.
3. Posizionare e fissare saldamente il nuovo sacchetto sul tubo di ingresso. Rigirare i bordi del sacchetto e fissarlo saldamente al tubo.
4. Montare nuovamente il vano polvere sull'unità centrale.

SE CI SONO PROBLEMI CON IL SISTEMA ASPIRAPOLVERE CENTRALIZZATO ELECTROLUX, SEGUIRE I CONSIGLI SOTTO RIPORTATI PRIMA DI CONTATTARE L'ASSISTENZA.

PERDITA TOTALE/PARZIALE DELLA POTENZA DI RISUCCHIO D'ARIA

- Verificare che il vano polvere sia montato correttamente.
- Vuotare il vano polvere.
- Rimuovere detriti dal filtro.
- Verificare che ogni valvola di ingresso sia correttamente chiusa.

ELIMINARE LE OSTRUZIONI ALL'INTERNO DELLE CONDUTTURE

Ostruzione nel tubo

Inserire il tubo in una valvola di ingresso qualsiasi. Se dopo avere collegato il tubo a un paio di valvole non c'è ancora risucchio d'aria, il blocco è all'interno del tubo. Per eliminare l'ostruzione, inserire nel tubo un oggetto dalla punta arrotondata (canna da giardino, manico di legno). Si può anche provare a smuovere il blocco invertendo il risucchio d'aria all'interno del tubo.

Fare riferimento a pagina 7 – Immagine 12 e 13

Se una valvola di ingresso presenta un risucchio d'aria anomalo ed è già stata esclusa la presenza di eventuali blocchi nel tubo, allora l'ostruzione è nelle condutture tra la valvola di ingresso e l'unità di potenza (vedere le istruzioni sotto).

Inserire il tubo nella valvola di ingresso che non ha risucchio d'aria; coprire con la mano l'estremità del tubo. Togliere rapidamente la mano. Ripetere più volte. Se non si riesce a eliminare il blocco, contattare il più vicino rivenditore/fornitore Electrolux.

L'UNITÀ DI POTENZA NON ENTRA IN FUNZIONE

- Verificare se sono saltati dei fusibili o il salvavita all'interno dell'unità di alimentazione principale.
- Scollegare e controllare eventuali fili scollegati nelle valvole a muro e nei collegamenti a basso voltaggio.
- Se l'unità di potenza non entra ancora in funzione, contattare il più vicino rivenditore/fornitore locale autorizzato.

L'UNITÀ DI POTENZA NON SI FERMA

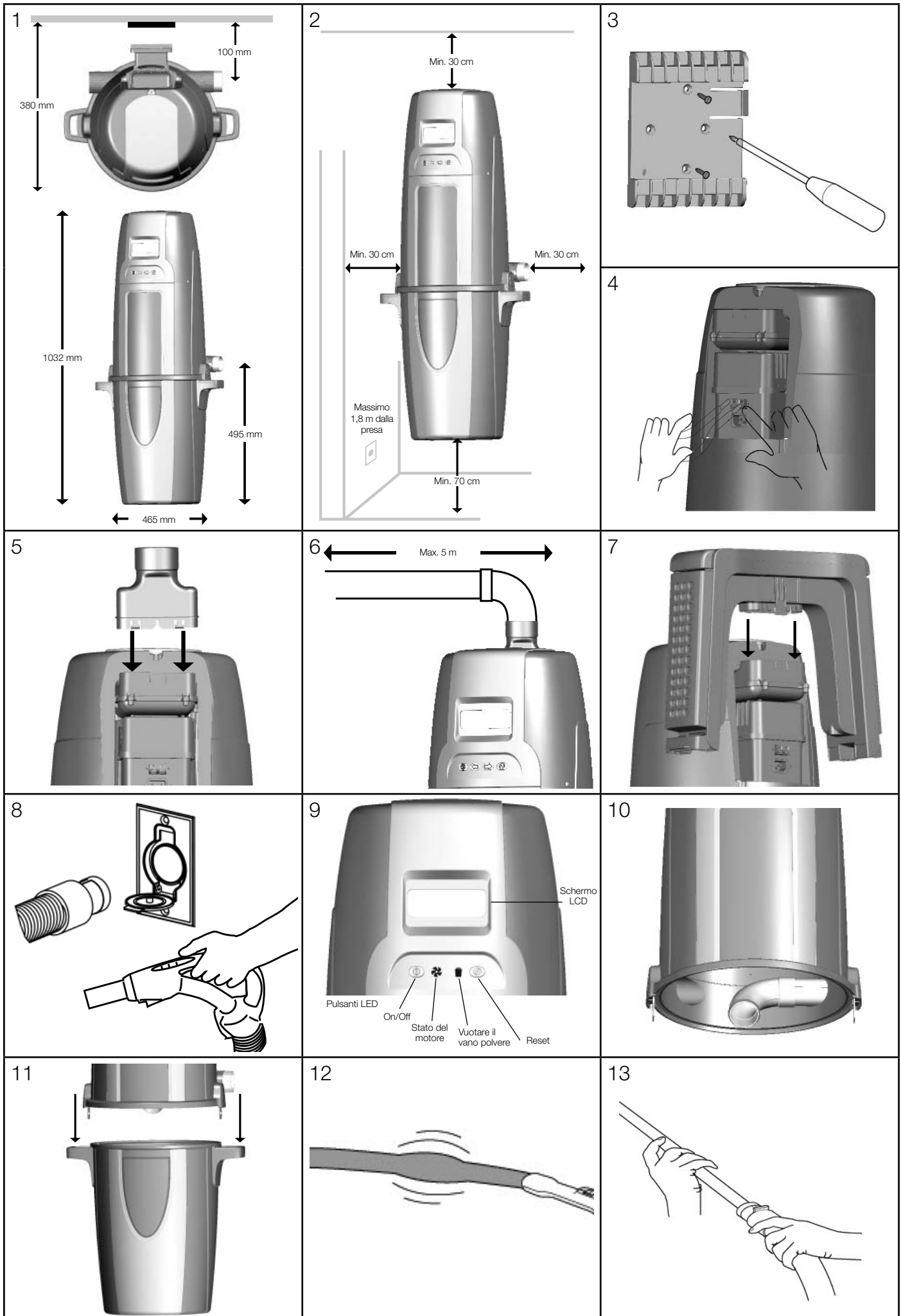
- Controllare in ogni valvola di ingresso la presenza di ostruzioni sui contatti a basso voltaggio. Se non è visibile alcuna ostruzione, scollegare l'aspirapolvere dalla presa di corrente e contattare il più vicino rivenditore/fornitore locale autorizzato.

L'UNITÀ CENTRALE DI POTENZA VA IN BLOCCO

- Rimuovere e inserire nuovamente il tubo nella valvola di ingresso o spostare l'interruttore del tubo in posizione off e poi on. Vedere "Protezione da sovraccarico".

GARANZIA

La garanzia è gestita dal rivenditore/fornitore locale autorizzato. Contattare il rivenditore/fornitore locale autorizzato per domande riguardanti la garanzia.



Precauções importantes.....	2
Informação geral.....	3
Instalação.....	3
Teste do sistema.....	4
Como usar.....	4
Indicações das LED.....	4
Ecrã LCD.....	4
Adaptador para o saco.....	5
Válvula utilitária.....	5
Protecção contra sobreaquecimento.....	5
Protecção contra sobrecarga.....	5
Diagnóstico e manutenção.....	5
Manutenção do filtro.....	6
Filtro para o saco de papel.....	6
Resolução de problemas.....	6
Imagens.....	7



PRECAUÇÕES IMPORTANTES

Quando usar um aparelho electrónico, é necessário respeitar algumas precauções básicas, incluindo as seguintes:

LEIA TODAS AS INSTRUÇÕES ANTES DE USAR ESTE SISTEMA DE LIMPEZA POR ASPIRAÇÃO.

Esta unidade eléctrica de aspiração central destina-se à aspiração de poeiras domésticas normais.

AVISO

Para reduzir o risco de fogo, choques eléctricos ou ferimentos:

- Não use em exteriores ou em superfícies molhadas.
- Não bloqueie a tampa do motor ou aberturas de ventilação e conduta na parte superior da unidade eléctrica. O motor sobreaquece se a passagem do ar para ventilação for obstruída.
- Não instale a unidade eléctrica numa área com temperatura elevada ou em locais inacessíveis, por exemplo, num sótão ou espaço de movimento limitado.
- Instale a unidade eléctrica a, pelo menos, 30cm do tecto ou em qualquer parede adjacente e a, pelo menos, 70cm do chão. Para além disso, tenha em conta os códigos e normas locais aplicáveis.
- Não deixe que as pessoas use a unidade como brinquedo. Preste especial atenção quando a unidade for usada por ou próximo de crianças.
- Este aparelho não deve ser usado por pessoas (incluindo crianças) com capacidades físicas, sensoriais ou mentais reduzidas ou com falta de experiência e conhecimento, excepto quando supervisionadas pela ou receberem instruções da pessoa responsável pela sua segurança.
- Use apenas como descrito neste manual. Use apenas os acessórios recomendados pelo fabricante.
- Não use se o cabo eléctrico ou ficha eléctrica estiver danificada. Se a unidade de limpeza por aspiração não funcionar como esperado, se a deixar cair, se estiver danificada, se for deixada no exterior ou se a deixar cair em água, devolva-a ao vendedor/distribuidor local autorizado.

- Ligue apenas a uma tomada com ligação à terra (consulte as instruções de ligação à terra).
- Não use extensões ou tomadas com capacidade eléctrica inadequada.
- Desligue todos os controlos antes de desligar.
- Não desligue puxando o cabo eléctrico. Para desligar, puxe pela ficha eléctrica e não pelo cabo.
- Não manuseie a ficha ou cabo eléctrico com as mãos molhadas.
- Não coloque objectos nas aberturas. Não use se as aberturas estiverem obstruídas; mantenha livre de poeiras, algodão, cabelos ou tudo o que possa reduzir a passagem do ar.
- Esta unidade de limpeza por vácuo cria sucção. Mantenha o seu cabelo, roupas largas, dedos e outras partes do corpo afastadas das aberturas e peças móveis.
- Não aspire nada que esteja a arder ou a deitar fumo, como cigarros, fósforos ou cinzas quentes.
- Tenha mais cuidado ao limpar escadas.
- Não aspire líquidos inflamáveis ou combustíveis como gasolina ou use em áreas onde estes elementos possam estar presentes.
- Mantenha a sua área de trabalho bem iluminada.
- Desligue os aparelhos eléctricos antes de os aspirar.
- Se danificar o cabo eléctrico, substitua-o por um cabo eléctrico especial disponível no vendedor/distribuidor local autorizado.
- Não use sem o saco para o pó e/ou filtro instalado.

GUARDE ESTAS INSTRUÇÕES

INFORMAÇÃO GERAL

O aspirador central foi criado para aspiração a seco da sujidade e poeiras. Evite aspirar objectos duros ou pontiagudos com este sistema para evitar danificar ou obstruir os tubos de plástico.

Este manual descreve as fases finais de instalação da unidade eléctrica em sua casa. Inclui também a informação necessária para manutenção e resolução de problemas, na improbabilidade de ser necessária. Se quiser obter mais informações sobre a instalação ou tiver dúvidas sobre o produto, contacte o vendedor/distribuidor local autorizado.

INSTALAÇÃO DO EQUIPAMENTO DE SEGURANÇA

Para se preparar para instalar na parede e preparar as coberturas, aconselhamos a utilização de equipamento de segurança como capacete, luvas, óculos de protecção e tampões para os ouvidos.



CUIDADO



Tenha cuidado quando perfurar as paredes por causa dos canos do gás e da água e das ligações eléctricas.

Se tiver qualquer questão relacionada com o produto, peças sobressalentes, serviço, garantia ou outro, contacte o vendedor ou distribuidor local autorizado.

INSTRUÇÕES DE LIGAÇÃO À TERRA

Este aparelho deve ser ligado à terra. Em caso de avaria ou danos ou falha, a ligação à terra oferece o caminho de menor resistência para a corrente eléctrica para reduzir o risco de choques eléctricos. Este aparelho está equipado com um cabo eléctrico com condutor e ficha com ligação à terra para o equipamento. A ficha deve ser ligada a uma tomada apropriada e correctamente instalada e com ligação à terra de acordo com todos os códigos e normas.

AVISO

A ligação inadequada do condutor com ligação à terra para o equipamento pode causar choques eléctricos. Contacte um electricista qualificado ou técnico de assistência se não tiver a certeza se a tomada tem uma ligação à terra adequada ou se a tomada não encaixar numa tomada. Não modifique a ficha eléctrica incluída com o aparelho.

AVISO

Se danificar o cabo eléctrico, substitua-o por um cabo eléctrico especial disponível no vendedor/distribuidor local autorizado.

INFORMAÇÃO SOBRE ASSISTÊNCIA

As instruções neste documento servem de guia para a manutenção de rotina. Para mais informações, contacte o vendedor/distribuidor autorizado

CHAPA DE IDENTIFICAÇÃO

O modelo, tipo e números de série estão indicados na chapa de identificação localizada no painel de controlo ou tampa do motor. Para obter informação de serviço rápida e completa, consulte sempre estes números quando solicitar assistência.

AVISO

O não cumprimento das instruções sobre segurança implica risco para a integridade física.

DIMENSÕES DO PRODUTO

Consulte a página 7 - Imagem 1

ELIMINAÇÃO DO EQUIPAMENTO ELÉCTRICO E ELÉCTRICO (WEEE)



Este símbolo no produto ou na respectiva embalagem indica que este produto não pode ser considerado lixo doméstico. Em vez disso, deve ser levado até a um ponto de recolha apropriado para reciclagem de equipamento electrónico e eléctrico. Ao garantir que este produto é eliminado correctamente, ajuda a evitar potenciais consequências negativas para o ambiente e saúde das pessoas, o que de outro modo poderia ser causado pela eliminação incorrecta deste produto. Para obter informações mais detalhadas sobre este produto, contacte o serviço de eliminação local de desperdícios ou a loja onde comprou este produto.

INSTALAÇÃO

A sua casa já poderá estar equipada com um sistema de tubos de plástico e válvulas de entrada e estar pronta para instalar a unidade eléctrica central. Se a sua casa não estiver equipada com um sistema de aspiração central, pode contratar um profissional para instalar o Sistema de Aspiração Central Electrolux, contactando o vendedor ou distribuidor local ou optar por fazê-lo vocês mesmos.

A unidade eléctrica central deve ficar instalada tão longe quanto possível da área ocupadas por pessoas mas acessível para poder remover o receptáculo, chegar ao filtro e inspeccionar a unidade eléctrica central. Uma localização típica será uma garagem, onde pode aspirar o seu carro ou a garagem onde esvaziar o receptáculo do lixo e limpar o filtro será mais conveniente. Outras localizações apropriadas são a cave, lavanderia ou armazém ventilado.

ATENÇÃO



Tenha cuidado quando perfurar as paredes por causa dos canos dos gás e da água ou dos fios eléctricos. Só são autorizados orifícios nas paredes se a estabilidade vertical não for comprometida. Os orifícios nos pernos de madeira devem ser perfurados. Dependendo do material de construção da sua casa, use âncoras apropriadas para pendurar a sua unidade eléctrica. A unidade eléctrica desliza simplesmente no suporte de montagem e encaixa-se.

Consulte a página 7 - Imagem 3

- Instale a unidade eléctrica central num local afastado das áreas ocupadas por pessoas. Deverá ser fácil ligar o escape a um tubo de ventilação. Pode fazê-lo independentemente do material de construção da casa.
- Posicione os dois fios de baixa tensão próximo do tubo principal. Remova o isolamento do fio de baixa tensão. Insira o fio de baixa tensão nos conectores de baixa tensão de molas. Certifique-se que cumpre os requisitos dos códigos e normas eléctricas locais.

Consulte a página 7 - Imagem 4

- Verifique se existe uma tomada eléctrica dedicada para a unidade eléctrica.
- Ligue o seu SAC com o cabo eléctrico fornecido.

O seu SAC Oxygen Electrolux não requer a instalação de um silenciador. O seu SAC já tem um silenciador instalado internamente. No entanto, poderá querer expelir o ar para fora. Neste caso tem que fixar o adaptador de escape. Isto converte o tamanho da abertura de escape para o diâmetro do tubo de aspiração central.

Consulte a página 7 - Imagem 5

- Instale a unidade eléctrica de modo a que o tubo de escape seja tão curto quanto possível. Os tubos de escape não devem medir mais de 5 metros.
- Lembre-se que precisa de espaço nos lados da unidade central para poder aceder ao receptáculo do lixo.

Consulte a página 7 - Imagem 6

- Alinhe o encaixa de entrada da unidade eléctrica ao tubo da junção principal saliente na parede. **NÃO COLE.** Fixe o tubo de escape ao tubo de escape do motor de expelir o ar em interiores. Certifique-se que o tubo de escape é tão curto quanto possível.

NOTA: Monte a unidade eléctrica central a, pelo menos, 30cm do tecto e de qualquer parede adjacente a, pelo menos, 70cm do chão e a não mais de 1,8 m de uma tomada eléctrica. Reveja quaisquer normas locais aplicáveis.

Consulte a página 7 - Imagem 2

AVISO

Não obstrua as aberturas de ventilação da tampa do motor na parte superior da unidade eléctrica central. O motor sobreaquece se a abertura de ventilação for obstruída.

AVISO

Não instale a unidade eléctrica numa área com temperatura elevada ou em locais inacessíveis, por exemplo, num sótão ou espaço de movimento limitado.

Para o máximo controlo do ar, existe um filtro True HEPA que pode ser incluído na unidade eléctrica à sua escolha ou pode ser adquirido num vendedor/distribuidor autorizado. Basta fixar o verdadeiro filtro True HEPA como na imagem.

Consulte a página 7 - Imagem 7

TESTE DO SISTEMA

Certifique-se que cumpre os requisitos dos códigos e normas eléctricas locais. Ligue a unidade a uma tomada eléctrica normal. Agora está pronto para inspeccionar a instalação da unidade:

- Verifique se o filtro está correctamente instalado na unidade eléctrica.
- Verifique se o receptáculo do filtro está correctamente instalado na unidade eléctrica.
- Ligue o tubo a cada válvula de entrada para verificar se os contactos eléctricos funcionam correctamente.
- Inspeccione cada válvula de entrada para procurar fugas de ar.
- Inspeccione cada ligação dos tubos para procurar fugas de ar.

Consulte a página 7 - Imagem 8

COMO USAR O SISTEMA DE ASPIRAÇÃO CENTRAL

O seu sistema de aspiração central é controlado por um interruptor no tubo. Basta inserir o tubo na válvula e ligar o interruptor [on]. Deste modo, liga a unidade eléctrica e inicia o fluxo de ar.

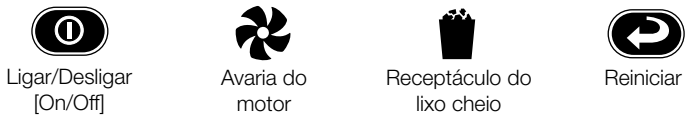
Quando termina, desligue o interruptor no tubo [off] e remova o tubo da válvula de entrada. Quando remover o tubo, mantenha a cobertura de entrada aberta durante alguns segundos para que a força de sucção diminua, protegendo assim o vedante da válvula de entrada.

Consulte a página 7 - Imagem 8

INDICAÇÕES LED - OPCIONAIS EM FUNÇÃO DO MODELO

O seu aparelho pode estar equipado com alguns dos ou todos os seguintes indicadores.

Consulte a página 7 - Imagem 9



A sua unidade eléctrica está equipada com um painel LED multi-cores. Este painel de LED transmite-lhe a informação necessária sobre o desempenho, manutenção e diagnóstico da sua unidade. As seguintes descrições dizem respeito às diferentes mensagens que a unidade transmite.

FUNCIONAMENTO NORMAL

Quando a unidade estiver desligada [OFF] e considerada em modo de espera, o botão LED será VERMELHO.

Quando a unidade estiver ligada [ON] e em utilização, a LED será VERDE. Quando a luz de avaria do motor estiver ligada [ON], veja em baixo. Quando a luz do receptáculo do lixo estiver ligada [ON], esvazie o receptáculo, mantenha premido o botão REINICIAR durante 10 segundos.

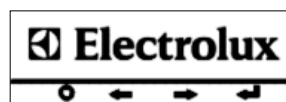
AVARIA DO MOTOR

No caso de um fusível queimado ou fio do motor desligado e da unidade eléctrica não funcionar, as luzes VERMELHA, VERDE e ÂMBAR ficam constantemente acesas.

No caso de uma sobrecarga de corrente, a luz VERMELHA do botão LIGAR/DESLIGAR [ON/OFF] pisca, a luz VERDE acende-se e apaga-se rapidamente e a luz de AVARIA DO MOTOR fica ÂMBAR e liga-se e desliga-se rapidamente. Esta avaria causa uma reiniciação automática em 15 segundos se as ligações de baixa tensão estiverem desligadas [OFF] no tubo. No caso de uma sobrecarga de corrente contínua e se a ligação de baixa tensão estiver LIGADA [ON] no tubo, a luz VERMELHA do botão LIGAR/DESLIGAR [ON/OFF] fica constantemente acesa, a luz VERDE pisca lentamente e a luz de AVARIA DO MOTOR pisca lentamente a ÂMBAR.

No improvável caso da unidade de electricidade receber uma frequência prejudicial, a unidade não se liga e a luz VERMELHA do botão LIGAR/DESLIGAR [ON/OFF] fica constantemente acesa. No caso da unidade receber um pico de alta tensão, as luzes do botão LIGAR/DESLIGAR [ON/OFF] alternam entre VERMELHO e VERDE três vezes - pausa breve - alternam entre VERMELHO e VERDE três vezes - pausa longa - e depois repetem. Isto continua até a tensão da corrente voltar ao nível correcto.

ECRÃ LCD - OPCIONAL



Consulte a página 7 - Imagem 8

No ecrã principal do LCD, surge o símbolo Electrolux. Este símbolo pode mover-se de um lado para o outro para evitar que a imagem fique queimada no Monitor LCD. O símbolo é visível quando a unidade eléctrica não for usada.

O botão que está mais alinhado com o símbolo de Energia no ecrã pode ser usado para activar a unidade. Prima este botão para ligar/desligar a unidade. A unidade também pode ser activada a partir de qualquer entrada instalada.

Quando a unidade eléctrica do LCD estiver em modo de espera, as quatro luzes brancas no LCD acendem-se em sequência e alternam o movimento da esquerda para a direita e depois movem-se da direita para a esquerda. Este padrão repete-se continuamente e indica que a unidade eléctrica está pronta a ser usada e a funcionar correctamente.

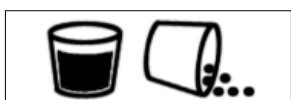
EM UTILIZAÇÃO



Quando usar a unidade, o indicador de energia fica verde. Surgem as 4 barras de desempenho progressivas. Uma unidade a funcionar normalmente deve apresentar todas as barras de 4 desempenho. Se só surgirem consistentemente menos de 2 barras, tente determinar qual o problema. Possíveis razões para menos barras de desempenho:

1. Obstrução da sucção na extremidade do tubo
2. Tubo obstruído no sistema
3. Ferramenta de restrição da sucção usada, como bocal para as ranhuras
4. Receptáculo completamente cheio
5. Sistema de filtração obstruído

RECEPTÁCULO DE LIXO VAZIO



Cada 25 horas de utilização (aproximadamente 6 meses), o indicador do receptáculo de lixo vazio pisca no ecrã. Isto indica que deve esvaziar o receptáculo do lixo. Uma vez que o tempo desempenha um papel importante, o receptáculo poderá estar demasiado cheio ou vazio. Se tiver animais domésticos, uma oficina ou outros factores que aumentem a frequência de desperdícios, poderá querer inspeccionar o receptáculo mais frequentemente.

Quando esvaziar o receptáculo do lixo, prima o botão de reiniciação para reiniciar o temporizador de 25 horas. Se a ligação para a fonte de alimentação for interrompida, ou desligada, o indicador de receptáculo vazio guarda em memória o seu estado anterior e mede continuamente a vida útil da unidade.

Para reiniciar manualmente o indicador Receptáculo de Lixo Vazio, basta manter premido o botão alinhado com o símbolo Enter durante 10 segundos.

INDICADOR DE VIDA ÚTIL



O indicador de vida útil tem 8 barras. Quando estas barras se esgotarem, a sua unidade continua a funcionar mas é fortemente recomendável levá-la ao vendedor/distribuidor local autorizado para a inspeccionar e reparar. Cada barra de vida útil esgota-se em 65 horas de utilização do aspirador, o que significa que o sistema de aspiração central tem uma longa vida útil. O indicador de vida útil só pode ser reiniciado pelo técnico de assistência. Se a ligação para a fonte de alimentação for interrompida, ou desligada, o indicador de vida útil guarda em memória o seu estado anterior e mede continuamente a vida útil da unidade.

INDICADOR DE REPARAÇÃO



Se ocorrer uma falha no sistema, ou a unidade eléctrica se avaria, o indicador de reparação pisca. Quando vir este símbolo, aconselhamos a desligar a unidade eléctrica, a desligar a fonte de alimentação durante 10 segundos e a voltar a ligá-la. Se o símbolo de reparação ainda for visível no ecrã, aconselhamos a contactar a assistência para reparação.

Este símbolo pode ser causado pelas seguintes avarias:

- Problema do motor
- Problema electrónico
- Problema de tensão ou de corrente (demasiado alta ou baixa)
- Unidade eléctrica não responde ao sistema electrónico

NAVEGAR NO LCD



Quando não usar a unidade, pode navegar pelas funcionalidades do LCD para ver o estado do receptáculo do lixo, o indicador da vida útil ou visualizar o nível de energia mais recentemente memorizado.

Para navegar por estas funcionalidades, basta premir o botão correspondente com o símbolo da seta direita.

No ecrã seguinte, vê o Indicador de Vida Útil. Navegue ainda mais para a direita e vê o Estado do Balde. Se navegar ainda mais, vê os níveis de desempenhos mais recentemente memorizados da unidade, usando o ecrã do Indicador de Desempenho ou Em Utilização. A última navegação para a direita apresenta o número de telefone de assistência para os clientes.

O botão alinhado com o botão da navegação para a esquerda permite-lhe navegar para trás pelos ecrãs.

ADAPTADOR PARA O SACO

A sua unidade eléctrica pode ser equipada com um saco de papel conveniente para deitar fora o lixo de maneira mais conveniente. Para manutenção do saco de papel, consulte a secção Filtro do Saco de Papel, em Manutenção do Filtro.

Consulte a página 7 - Imagem 10

VÁLVULA UTILITÁRIA

A válvula utilitária é semelhante a uma válvula de entrada mas encontra-se perto da unidade eléctrica. Esta válvula é conveniente porque o pode ajudar a limpar qualquer sujidade caída próximo do sistema de aspiração central.

PROTECÇÃO CONTRA SOBREAQUECIMENTO

Se a placa de circuitos atingir uma temperatura elevada, a unidade eléctrica não funciona e a LED desliga-se e o ecrã no modelo LCD começa a piscar. Caso ocorram estes problemas, prima o botão Ligar/Desligar, desligue o tubo ou espere que a temperatura desça. Se o problema persistir, contacte o vendedor ou distribuidor autorizado.

Consulte a página 7 - Imagem 9

PROTECÇÃO CONTRA SOBRECARGA

O sistema de aspiração central oferece funcionalidades que controlam os seguintes níveis de operação: tensão CA e a tomada de corrente<. Se a tensão for inferior ou superior à tensão operacional padrão, se a tomada de corrente for alta ou o rotor estiver bloqueado, a unidade eléctrica não funciona. Neste caso, o botão Ligar/Desligar pisca até o problema ser resolvido ou o ecrã do modelo LCD pisca. Se o problema persistir, contacte o vendedor ou distribuidor autorizado. A unidade eléctrica precisa de 30 minutos para arrefecer.

Consulte a página 7 - Imagem 9

DIAGNÓSTICO E MANUTENÇÃO

Passagem do ar ou sucção reduzida indica que o sistema de aspiração central não está a funcionar com a eficiência máxima. Se o receptáculo do lixo estiver sujo e o filtro obstruído, o ar não passa pela unidade e não é possível fazer os trabalhos de limpeza. As instruções neste documento servem de guia para a manutenção de rotina. É possível manter a passagem do ar ou sucção adequada mantendo o receptáculo do lixo e filtro limpos e os tubos de plástico desobstruídos.

ESVAZIAR O RECEPTÁCULO DO LIXO

A maioria dos modelos contém receptáculos do lixo com janelas que permite ver quando é necessário esvaziá-lo. Na maioria dos casos, é necessária esvaziar o receptáculo do lixo duas a três (2-3) vezes por ano. Para remover o receptáculo do lixo, prima os botões nos manipuladores do receptáculo. Remova e esvazie o conteúdo. Volte a instalar o receptáculo fixando o balde na unidade eléctrica. Para evitar perda de sucção, verifique se o receptáculo está correctamente fixado.

Consulte a página 7 - Imagem 11

MANUTENÇÃO DO FILTRO

O filtro exclusivo da Electrolux é permanente e auto-recuperável. No entanto, se tiver perguntas sobre o seu filtro auto-recuperável permanente, contacte o vendedor/distribuidor autorizado.

FILTRO PARA O SACO DE PAPEL - OPCIONAL

O volume do saco de papel é 22 litros. Um saco de pó cheio reduz o desempenho do sistema. Dependendo da frequência com que usa o seu sistema de aspiração central, pode ser necessário substituir o saco do pó 2-3 vezes por ano – e pode obter outro no vendedor/distribuidor local.

Instruções para trocar o saco do pó:

1. Remova o receptáculo do lixo da unidade eléctrica
2. Solte o saco do pó do tubo de entrada, remova e deite fora.
3. Instale e prima firmemente o novo saco do pó no tubo. Rode a abertura do saco do pó para o apertar firmemente no tubo.
4. Instale de novo o receptáculo do lixo na unidade eléctrica central.

SE OCORREREM PROBLEMAS COM O SISTEMA DE ASPIRAÇÃO CENTRAL ELECTROLUX, SIGA AS SUGESTÕES EM BAIXO ANTES DE CONTACTAR A ASSISTÊNCIA.

PERDA PARCIAL/TOTAL DO PODER DE SUCÇÃO

- Certifique-se se o receptáculo do lixo está instalado correctamente.
- Esvazie o receptáculo de lixo
- Remova a sujidade do filtro.
- Verifique se cada válvula de entrada está correctamente fechada.

DESOBSTRUA OS TUBOS

Tubo bloqueado

Ligue o tubo a qualquer válvula de entrada. Se não ocorrer sucção através do tubo depois de o ligar a algumas entradas, o bloqueio está no tubo. Para desobstruir o tubo, insira um instrumento não afiado no tubo (mangueira de água, pino de madeira). Também pode tentar inverter a sucção através do tubo para o desobstruir.

Consulte a página 7 - Imagem 12 e 13

Se uma das válvulas de entrada não aspirar normalmente e verificou se o tubo não está bloqueado, então é o sistema de tubos entre a válvula de entrada e a unidade eléctrica que está bloqueado (ver instruções em baixo).

Insira o tubo na válvula de entrada onde não há sucção. Coloque a mão sobre a extremidade do tubo. Remova a mão rapidamente. Repita várias vezes. Se não desobstruir, contacte o vendedor/distribuidor Electrolux mais próximo de si.

A UNIDADE ELÉCTRICA NÃO LIGA

- Verifique se o fusível ou disjuntor está rebentado na caixa da fonte de alimentação principal da casa.
- Desligue e inspeccione todas as entradas das paredes e ligações de baixa tensão para determinar se há fios soltos.
- Se a unidade ainda não ligar, contacte o vendedor/distribuidor local autorizado mais próximo.

A UNIDADE ELÉCTRICA NÃO PÁRA

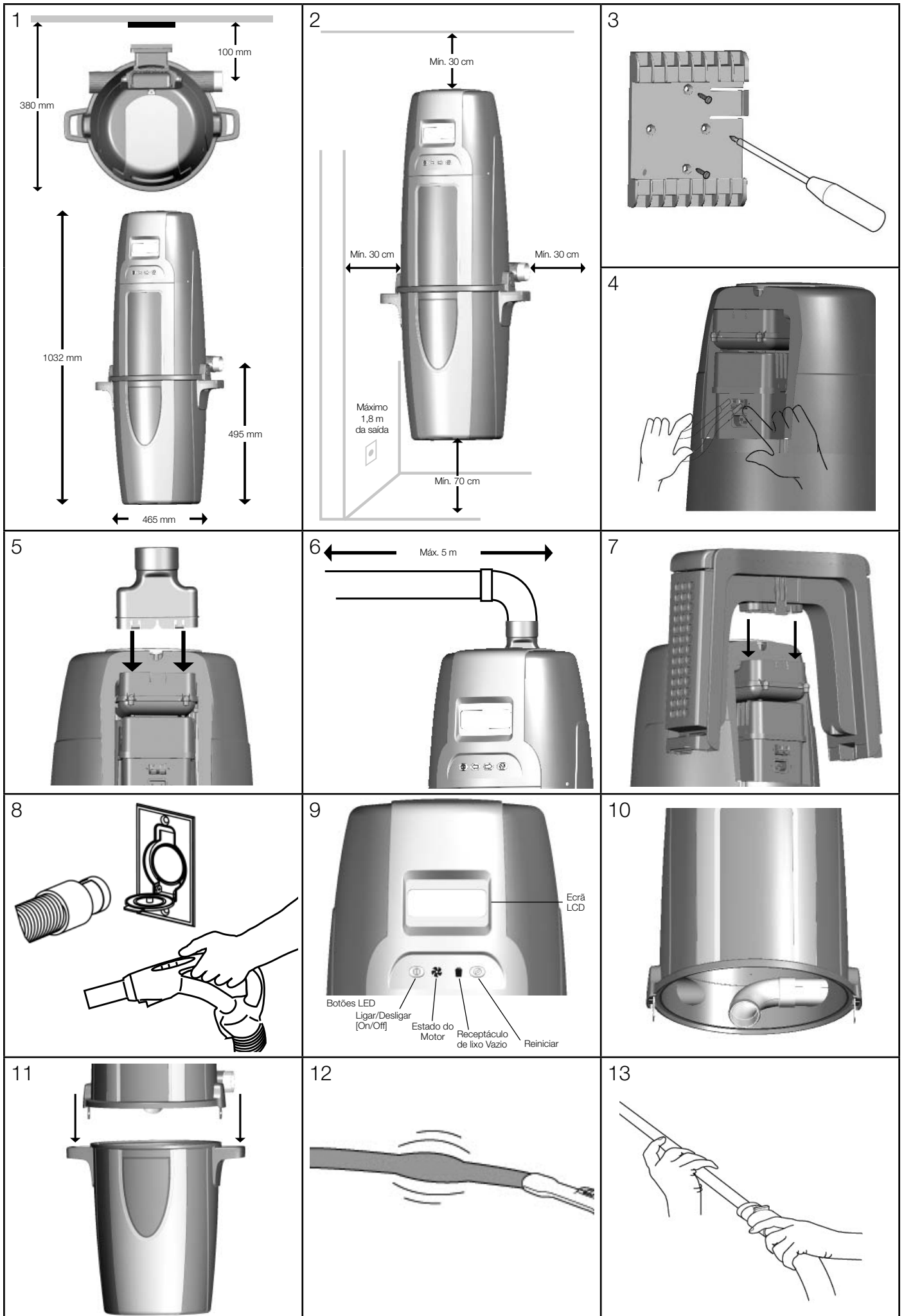
- Verifique se algum dos contactos de baixa tensão no interior de cada válvula está obstruído. Se não detectar obstrução visual, desligue o aspirador do receptáculo de energia e contacte o vendedor/distribuidor local autorizado mais próximo de si.

A UNIDADE DE ENERGIA CENTRAL DESLIGA-SE SOZINHA

- Remova e depois insira de novo o tubo na entrada ou ligue e desligue o interruptor no cabo do tubo. Ver "Protecção contra sobrecarga".

GARANTIA

A garantia é processada pelo vendedor/distribuidor local autorizado. Contacte o vendedor/distribuidor local autorizado para colocar as questões relativas à garantia.



Viktig säkerhetsinformation	2
Allmän information	3
Installation	3
Systemtest	4
Hur man använder	4
LED lysdiodindikeringar	4
LCD-skärm	4
Påsadapter	5
Hjälpventil	5
Överhettningsskydd	5
Överbelastningsskydd	5
Diagnoser och underhåll	5
Filterskötsel	6
Papperspåsfiler	6
Felsökning	6
Bilder	7



VIKTIGA SÄKERHETSÅTGÄRDER

Vid användning av elektrisk utrustning bör grundläggande försiktighetsåtgärder alltid följas, inklusive följande:

LÄS ALLA INSTRUKTIONER FÖRE ANVÄNDNING AV DETTA DAMMSUGARSYSTEM.

Denna centrala dammsugarenhet är avsedd för avlägsnande av vanligt hushållsdamm.

VARNING

För att minska risken för brand, elektrisk stöt eller skada:

- Använd inte utomhus eller på våta ytor.
- Blockera inte motorhuvens eller ventilationsöppningar och ledning överst på motorenheten. Brist på ventilerande luftflöde gör att motorn överhettas.
- Placera inte motorenheten i ett varmt utrymme eller där den är oåtkomlig, t.ex. en vind eller ett kryputrymme.
- Montera motorenheten minst 30 cm från taket eller annan närliggande vägg och minst 70 cm från golvet. Dessutom undersöks alla lokala regler och föreskrifter som kan tillämpas.
- Tillåt inte att den används som en leksak. Noggrann uppsikt är nödvändig vid användning av eller nära barn.
- Denna apparat är inte avsedd att användas av personer (inklusive barn) med försämrade fysiska, sensoriska eller mentala förmågor eller brist på erfarenhet och kunskap, om de inte har fått övervakning eller instruktioner vad gäller bruk av apparaten av en person som ansvarar för deras säkerhet.
- Använd endast som beskrivet i denna handbok. Använd endast tillverkarens rekommenderade tillsatser.
- Använd inte med skadad sladd eller stickpropp. Om dammsugaren inte fungerar som den ska, har tappats, skadats, lämnats utomhus eller tappats i vatten, returnera den till en lokal auktoriserad återförsäljare/distributör.
- Anslut endast till ett riktigt jordat vägguttag (se jordningsanvisningar).
- Använd inte förlängningsladdar eller uttag med otillräcklig strömkapacitet.
- Stäng av alla kontroller innan kontakten tas ur.
- Tag inte ur kontakten genom att dra i sladden. För att ta ur, greppa kontakten, inte sladden.
- Hantera inte kontakten med våta händer.
- Stoppa inte in några föremål i öppningar. Använd inte med några öppningar blockerade; hålls fria från damm, ludd, hår och allt som kan minska luftflödet.
- Denna dammsugare skapar sug. Håll hår, lösa kläder, fingrar och alla delar av kroppen borta från öppningar och rörliga delar.
- Tag inte upp något som brinner eller ryker, såsom cigaretter, tändstickor, eller het aska.
- Var extra försiktig vid rengöring på trappor.
- Fånga inte upp brandfarliga eller brännbara vätskor såsom bensin, och använd inte i områden där de kan förekomma.
- Håll ditt arbetsområde väl upplyst.
- Koppla ur elektriska apparater innan de dammsuges.
- Om den medföljande elsladden skadas, måste den bytas ut mot speciell sladd tillgänglig från den auktoriserade lokala återförsäljaren/distributören.
- Använd inte utan dammpåse och/eller filter på plats.

SPARA DESSA INSTRUKTIONER

ALLMÄN INFORMATION

Centralsugarens utformning är utformad för upptagning av torr hushållssmuts och damm. Undvik upptagning av hårda eller vassa föremål med detta system för att undvika skada på plaströr eller tilläppningar.

Denna handbok täcker sista stegen för installation av motorenheten i ert hem. Den ger också nödvändig information om underhåll och felsökning, i det osannolika fallet att det skulle behövas. Om ni behöver mer information om installation eller produkten, var god kontakta er lokala auktoriserade återförsäljare/distributör.

INSTALLATION AV SÄKERHETSUTRUSTNING

För vägg- och inklädningsförberedelser rekommenderas säkerhetsutrustning såsom hjälm, handskar, skyddsglasögon och hörselskydd.



FÖRSIKTIGHET

Var försiktig vid borring av hål i väggar eftersom gas- och vattenledningar och elektriska kablar kan finnas.

Om ni har några frågor angående produkten, reservdelar, service, garanti eller något annat, var god kontakta er lokala auktoriserade återförsäljare eller distributör.

JORDNINGSANVISNINGAR

Denna apparat måste jordas. Om den skulle krångla eller gå sönder, ger jordningen en väg med minst motstånd för elektrisk ström och reducerar risken för elektrisk stöt. Denna apparat är utrustad med en sladd som har jordningsledare och jordad kontakt. Kontakten måste sättas in i ett särskilt uttag som är rätt installerat och jordat i enlighet med alla lokala regler och föreskrifter.

VARNING

Oriktig anslutning av jordningsledaren kan resultera i elektrisk stöt. Kontrollera med en kvalificerad elektriker eller serviceperson om ni är osäker på huruvida uttaget är rätt jordat, eller om kontakten inte passa i ett uttag. Modifiera inte kontakten som sitter på apparaten.

VARNING

Om den medföljande elsladden skadas, måste den bytas ut mot speciell sladd tillgänglig från er lokala auktoriserade återförsäljare/distributör.

SERVICEINFORMATION

Instruktionerna i detta häfte fungerar som en guide för rutinunderhåll. För ytterligare information, kontakta er närmaste auktoriserade återförsäljare/distributör.

MÄRKSKYLTT

Modellen, typ och serienummer är angivna på märkskylten, placerad på kontrollpanelen eller motorkåpan. För snabb och fullständig serviceinformation, hänvisa alltid till dessa siffror vid förfrågning om service.

VARNING

Bristande efterlevnad av säkerhetsanvisningarna kan resultera i kroppsskada.

PRODUKTDIMENSIONER

Se sida 7 - Bild 1

AVFALLSHANtering FÖR ELEKTRISK UTRUSTNING



Denna symbol på produkten eller dess emballage anger att denna produkt inte får behandlas som hushållsavfall. Den ska i stället lämnas in på lämpligt insamlingsställe för återvinning av elektronik och elektrisk utrustning. Genom att se till att denna produkt kasseras korrekt, hjälper ni till att förhindra potentiella negativa konsekvenser för miljön och mänsklig hälsa, vilket annars kunde orsakas genom felaktig avfallshandling av denna produkt. För mer detaljerad information om denna produkt, var god kontakta er lokala avfallshandlingservice eller affären där produkten inhandlades.

INSTALLATION

Ditt hem är sannolikt redan anpassat med systemet av plaströr och insugningsventiler och du är redo att installera den centrala motorenheten. Om ditt hem inte är anpassat för ett centralsugarsystem, kan du avtala att få Electrolux Centralsugarsystem installerat av en yrkesman genom att kontakta din lokala återförsäljare eller distributör eller välja att göra det själv.

Den centrala motorenheten bör placeras så långt bort från det vanliga vistelseutrymmet som möjligt, ändå åtkomlig så att du kan ta bort skräpbehållaren, nå filtret och inspektera den centrala motorenheten. En typisk placering skulle kunna vara i ett garage, där du kan dammsuga bilen eller garageutrymmet och där tömning av skräpbehållaren och rengöring av filtret är mera behändigt. Andra lämpliga platser är i källaren, tvättstugan eller ventilerat förvaringsrum.

FÖRSIKTIGHET

Var försiktig vid borring av hål i väggar eftersom gas- och vattenledningar och elektriska kablar kan finnas. Hål i murverket är endast tillåtna om dess stabilitet inte försvagas genom detta. Hål i träreglar skall borras. Beroende på vilket material ditt hem är byggt av användes passande fästen för upphängning av din motorenhet. Motorenheten hängs enkelt på monteringskonsolen och snäpps in på plats.

Se sida 7 - Bild 3

- Placera den centrala motorenheten på en plats avlägsen från det vanliga vistelseutrymmet. Utblåset bör vara lätt att ansluta till ett ventilationsrör. Detta kan göras utan hänsyn till husets konstruktionsmaterial.
- Leta reda på de två lågspänningsledningarna i närheten av huvudröret. Tag bort isoleringen från lågspänningsledningen. Skjut in lågspänningsledningen i de fjäderbelastade lågspänningskontaktarna. Var säker på att uppfylla lokala elektriska regler och förordningar.

Se sida 7 - Bild 4

- Se till att det finns ett elektriskt uttag avsett för motorenheten.
- Koppla in ditt CDS med den medföljande sladden.

Electrolux Oxygen CDS kräver ingen montering av ljuddämpare. CDS har ljuddämparen installerad invändigt. Man kan eventuellt vilja blåsa ut luften utomhus. I så fall måste man ansluta utblåsningsadaptorn. Denna omvandlar storleken hos utblåsningsröret till samma diameter som centralsugarröret.

Se sida 7 - Bild 5

- Placera motorenheten så att utblåsningsröret blir så kort som möjligt. Utblåsningsrören bör begränsas till max. 5 meter.
- Kom ihåg att det kanske behövs utrymme vid sidorna av centralenheten för att kunna komma åt skräpbehållaren.

Se sida 7 - Bild 6

- Rikta in motorenhetens insugsanslutning till huvudledningen så att den pekar ut från väggen. **LIMMA INTE.** Koppla utblåsningsröret till motorutblåsningen om utblåset är utomhus. Se till att utblåsningsröret är så kort som möjligt.

ANMÄRKNING: Montera centrala motorenheten minst 30 cm från taket och närliggande vägg, minst 70 cm från golvet och inom 1,8 m från ett elektriskt uttag. Gå igenom alla lokala föreskrifter som kan vara tillämpliga.

Se sida 7 - Bild 2

VARNING

Blockera inte huvens ventilationsöppningar upptill på den centrala motorenheten. Brist på ventilation gör att motorn överhettas.

VARNING

Placera inte den centrala motorenheten i ett varmt utrymme eller där den är oåtkomlig, t.ex. en vind eller ett kryputrymme.

För det ultimata inom luftkontroll finns det äkta True HEPA-filtret, som kan vara inkluderat i ditt val av motorenhet eller kan köpas från en auktoriserad återförsäljare/distributör. True HEPA-filtret fästes enkelt så som visas.

Se sida 7 - Bild 7

SYSTEMTEST

Var säker på att uppfylla lokala elektriska regler och förordningar. Koppla in enheten i ett vanligt elektriskt uttag. Du är nu redo att kontrollera installationen av enheten:

- Se till att filtret är riktigt installerat i motorenheten.
- Se till att skräpbehållaren är ordentligt fastsatt i motorenheten.
- Koppla in slangen i varje insugningsventil för att kontrollera att de elektriska kontakterna fungerar riktigt.
- Kolla varje insugningsventil efter läckor.
- Kolla varje rörslutning efter läckor.

Se sida 7 - Bild 8

HUR MAN ANVÄNDER CENTRALDAMMSUGARSYSTEM

Systemet manövreras med en strömbrytare på slangen. Stoppa helt enkelt in slangen i väggventilen och sätt strömbrytaren i till-läge. Detta startar motorenheten och luftflödet.

När du är klar, sätt strömbrytaren på slangen till läge från/off och tag bort slangen från insugningsventilen. Vid urkoppling av slangen, håll insugningslocket öppet några sekunder och låt suget minska, så skyddas insugningsventilens tätning.

Se sida 7 - Bild 8

LED-INDIKERINGAR - TILLÄGG BEROENDE PÅ MODELL

Din apparat kan vara utrustad med någon eller alla indikeringarna enligt nedan.

Se sida 7 - Bild 9



Till/Från



Motorfel



Skräpbehållare full



Återställ

Motorenheten är försedd med en flerfärgs LED-panel. Denna LED-panel ger dig nödvändig information om motorenhetens effekt, underhåll och diagnostik. Nedan finns beskrivningar på olika meddelanden som fås från motorenheten.

NORMAL DRIFT

När motorenheten är FRÅN och anses stå i beredskapsläge, ska LED-knappen vara RÖD.

När motorenheten är TILL och i användning ska LED-knappen vara GRÖN. När lampan för motorfel är PÅ, se ytterligare beskrivning nedan. När lampan för smutsbehållaren är PÅ, tom behållaren, tryck på knappen för ÅTERSTÄLLNING och håll in den i 10 sekunder.

MOTORFEL

I händelse av en utlöst säkring eller frånkopplad motorledning och motorenheten inte fungerar, kommer RÖD, GRÖN och GUL lampa att lysa konstant.

I händelse av ett överspänningsstopp blinkar TILL/FRÅN-knappens RÖDA lampa, den GRÖNA lampan tänds och släcks snabbt, och lampan för MOTORFEL blir GUL och tänds och släcks snabbt. Detta fel återställs automatiskt inom 15 sekunder om lågvoltsanslutningen är FRÅN på slangen. I händelse av ett fortsatt överspänningsstopp och lågspänningsanslutningen är TILL på slangen, lyser TILL/FRÅN-knappens RÖDA lampa konstant, den GRÖNA lampan blinkar sakta och lampan MOTORFEL blinkar sakta GULT.

I det osannolika fallet med en dåligt mottagen frekvens hos motorenheten startar inte motorenheten och TILL/FRÅN-knappens RÖDA lampa fortsätter lysa konstant. I händelse av en hög ledningsspänning mottagen av motorenheten, skiftar TILL/FRÅN-knappens lampor mellan RÖTT och GRÖNT tre gånger – kort paus – alternerar mellan RÖTT och GRÖNT tre gånger – lång paus – och upprepas sedan. Detta fortsätter tills spänningen återgår till den rätta nivån.

LCD-skärm - TILLÄGG



Se sida 7 - Bild 8

I huvudskärmen av LCD:n syns Electrolux-logon. Denna logo är rörlig från sida till sida för undvikande av inbränning i LCD-displayen. Man ser logon när motorenheten inte är i användning.

Knappen som bäst linjerar upp med motor-symbolen på skärmen kan användas för aktivering av enheten. Tryck in denna knapp för att växla enheten till/från. Enheten kan också aktiveras från alla installerade insug.

När din motorenhet är i beredskapsläge lyser de fyra vita lamporna på din LCD-enhet i sekvens och alternerar från vänster till höger och sedan omvänt. Detta mönster upprepas kontinuerligt och indikerar att din motorenhet är redo för användning och fungerar riktigt.

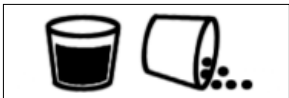
I ANVÄNDNING



Vid användning blir strömindikatorn grön. De 4 progressiva effektstaplarna framträder. En normalt fungerande enhet bör ha alla 4 effektstaplarna tända. Om det konsekvent är mindre än 2 staplar, bör man kontrollera problemet. Möjliga orsaker till att effektstaplarna minskar kan vara:


1. Blockerad sugning i slangänden
2. Täppt rör i systemet
3. Luftstryppande munstycke används, t.ex. ett för smala springor
4. Full skräpbehållare
5. Täppt filtersystem

TÖMNING SKRÄPBEHÅLLARE



Efter varje 25-timmars användning (cirka 6 månader) blinkar indikeringen för skräpbehållaren på skärmen. Detta är en indikering för kontroll och tömning av skräpbehållaren. Eftersom detta är tidsberoende kan skräpbehållaren vara alltför tom eller alltför full. Om ni sällskapsdjur, en verkstad eller andra faktorer som kräver tömning oftare, var god kontrollera skräpbehållaren mer frekvent.

När skräpbehållaren tömts, trycker man på "retur"-knappen för att återställa 25-timmars timern. Om strömtillförseln avbrytes eller på annat sätt kopplas ur, behåller skräpbehållarens indikator sitt senaste läge i minnet och fortsätter tidsmätningen.

För att manuellt återställa indikeringen för tömning av skräpbehållare, tryck på knappen mitt för "Retur"-symbolen och håll in 10 sekunder. 

LIVSLÄNGDSMÄTARE



Livslängdsmätaren har 8 staplar. När dessa staplar är tomma fortsätter enheten att fungera, men det rekommenderas att ta den till lokal auktoriserad återförsäljare/distributör för inspektion och service. En livslängdsstapel tömms för varje 65 timmars dammsugning, och innebär att din centraldammsugare har en lång livslängd av service till dig. Livslängdsmätaren kan endast återställas av din servicetekniker. Om strömtillförseln avbrytes eller på annat sätt kopplas ur, behåller livslängdsmätaren sitt senaste läge i minnet och fortsätter tidsmätningen.

SERVICEINDIKATOR



Om det blir ett systemfel eller en funktionsstörning i motorenheten kommer serviceindikatorn att blinka. När du ser denna symbol rekommenderar vi att du stänger av motorenheten, drar ur strömtillförseln under 10 sekunder och sedan sätter i kontakten igen. Om servicesymbolen fortfarande syns på skärmen, rekommenderar vi att du ringer efter service.


Denna symbol kan visas beroende på följande fel:

- Motorproblem
- Elektronikproblem
- Spännings- eller strömproblem (för hög eller för låg)
- Motorenheter svarar ej på elektroniken


ATT SCROLLA DIN LCD



När den ej används kan du scrolla genom funktionerna i din LCD för att se statusen på skräpbehållaren, kontrollera livslängden eller nyligen sparad effektnivå.

Tryck på knappen som motsvarar den högerriktade pilsymbolen för att scrolla genom dessa funktioner. 

Nästa skärm som syns är livslängdsmätaren. Scrolla ytterligare åt höger och du finner Behållare Status. Ytterliga en scrollning visar senaste lagrade effektnivåer för motorenheten, vid användning av Effektmätaren på skärmen. Sista scrollningen visar telefonnumret till kundservice.

Knappen mitt för vänstra scrollknappen låter dig scrolla bakåt genom skärmbilderna. 

PÅSADAPTER

Motorenheten kan förses med en praktisk papperspåse för mer behändig skräphantering. För underhåll av papperspåsen, var god se filteravsnittet för papperspåsen, under Filterunderhåll.

Se sida 7 - Bild 10

HJÄLPVENTIL

Hjälpventilen liknar en insugningsventil, men är placerad nära motorenheten. Denna ventil finns för din bekvämlighet, eftersom den kan hjälpa till att suga upp spillt skräp i närheten av centralenheten.

ÖVERHETTNINGSSKYDD

Om kretskortet når en förhöjd temperatur kommer inte motorenheten att fungera och LED-lamporna slocknar, eller så blinkar skärmen på LCD-modellen. I händelse av dessa problem, tryck på Till/Från-knappen, dra ur slangens eller vänta på att temperaturen sjunker. Om problem kvarstår, kontakta din auktoriserade återförsäljare eller distributör.

Se sida 7 - Bild 9

ÖVERBELASTNINGSSKYDD

Centraldammsugarsystemet använder sig av funktioner som övervakar följande driftsnivåer: Växelströms-voltspänning och strömuttag. Om spänningen är under eller över standard driftspänning, för högt strömuttag eller låst rotor, kommer inte motorenheten att fungera. I detta fall blinkar Till/Från-knappen tills problemet upphör, eller så blinkar skärmen på LCD-modellen. Om problem kvarstår, kontakta din auktoriserade återförsäljare eller distributör. Motorenheten behöver 30 minuter för att svalna.

Se sida 7 - Bild 9

DIAGNOSER OCH UNDERHÅLL

Minskat luftflöde eller sugning tyder på att centraldammsugarsystemet inte arbetar med maximal verkningsgrad. Om skräpbehållaren är full och filtret är tilltäppt kan ingen luft passera genom enheten och ingen rengöring kan utföras. Instruktionerna som ges i detta häfte fungerar som en guide för rutinunderhåll. Riktigt luftflöde eller sugning kan bibehållas genom att hålla skräpbehållaren och filter rena och plaströr och slang fria från tilltäppningar.

TÖMNING AV SKRÄPBEHÅLLARE

De flesta modeller har skräpbehållare med fönster, så att man med en hastig blick kan se när behållaren bör tömmas. För det mesta behöver skräpbehållaren bara tömmas två till tre (2-3) gånger om året. För att ta bort skräpbehållaren, tryck in knapparna på behållarens handtag. Tag bort och töm innehållet. Sätt tillbaka behållaren genom att fästa burken på motorenheten. För undvikande av sugförlust, se till att behållaren är ordentligt fastsatt.

Se sida 7 - Bild 11

FILTERUNDERHÅLL

Electrolux' exklusiva filter är permanent och självrengörande. Men om du har frågor angående ditt permanenta självrengörande filter, var god kontakta din lokala återförsäljare/distributör.

PAPPERSPÅSFILTER - TILLÄGG

Volymen på papperspåsen är 22 liter. En full dammpåse reducerar systemets prestanda. Beroende på hur ofta du använder ditt centralsugsystem, kan dammpåsen behöva tömmas 2-3 gånger om året – och kan erhållas hos din lokala återförsäljare/distributör.

Anvisningar för utbyte av dammpåsen:

1. Tag bort motorenhetens skräpbehållare
2. Lossa dammpåsen från insugningsröret, tag bort och kasta.
3. Placera och tryck fast den nya dammpåsen på röret. Vrid dammpåsens så att den fastnar ordentligt på röret.
4. Sätt tillbaka skräpbehållaren på motorenheten.

OM DU UPPLEVER PROBLEM MED DITT ELECTROLUX CENTRALDAMMSUGARSYSTEM, FÖLJ FÖRSLAGEN NEDAN INNAN DU RINGER EFTER SERVICE.

DELVIS/TOTAL FÖRLUST AV SUGKRAFT

- Se till att skräpbehållaren sitter rätt.
- Töm skräpbehållaren.
- Avlägsna skräp från filter.
- Se till att varje insugningsventil är riktigt stängd.

RENSA BLOCKERING I RÖR

Blockering i slangen

Anslut slangen i valfri insugningsventil. Om det inte är något sug genom slangen efter anslutning till olika ventiler, finns blockeringen i slangen. För att rensa slangblockeringen, skjut in ett trubbigt verktyg i slangen (trädgårdsslang, träpinne). Man kan även försöka vända på sugriktningen genom slangen för att få bort blockeringen.

Se sida 7 - Bild 12 och 13

Om det är en insugningsventil som saknar normal sugförmåga och du har kontrollerat slangblockering, då finns blockeringen i rörsystemet mellan den blockerade insugningsventilen och motorenheten (se anvisningar nedan).

Sätt in slangen i den insugningsventil som saknar sugning; håll handen framför slangändan. Tag bort handen snabbt. Upprepa flera gånger. Om blockeringen inte lossnar, kontakta din närmaste Electrolux återförsäljare/distributör.

MOTORENHETEN STARTAR INTE

- Kontrollera efter utlöst säkring eller överspänningsskydd i husets säkringssskåp.
- Drag ut kontakten och kolla alla vägguttag och lågvoltanslutningar efter lösa sladdar.
- Om enheten fortfarande inte startar, kontakta närmaste lokala återförsäljare/distributör.

MOTORENHETEN STANNAR INTE

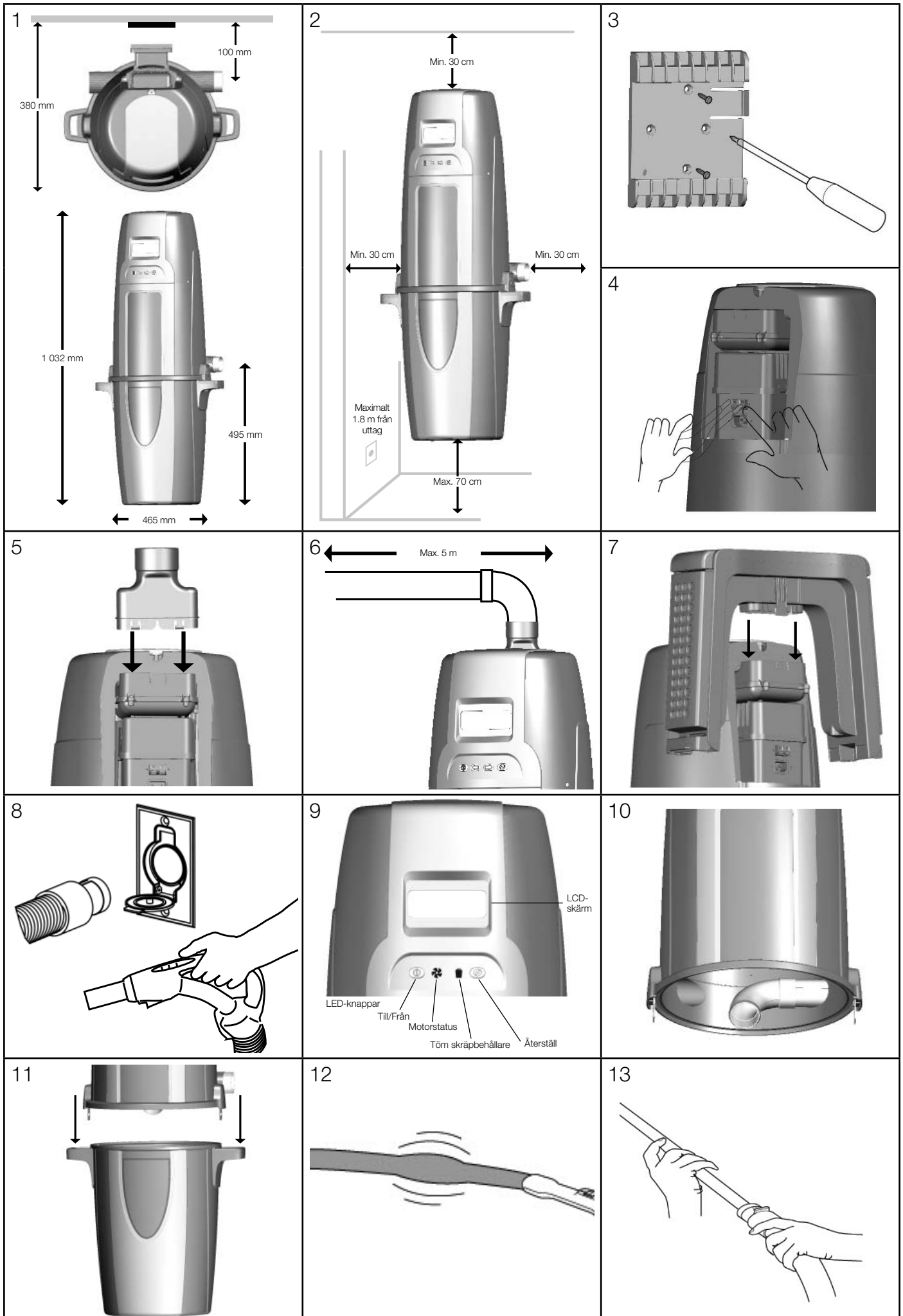
- Kontrollera inuti varje insugningsventil efter hinder för lågvoltanslutningarna. Om inget visuellt hinder kan upptäckas, koppla loss dammsugaren från strömmatningen och kontakta din närmaste lokala auktoriserade återförsäljare/distributör.

CENTRALA MOTORENHETEN STANNAR AV SIG SJÄLV

- Tag bort och återinsätt slangen i ventilen eller skifta strömbrytaren på slanghandtaget mellan till-från. Se "Överbelastningsskydd".

GARANTI

Garantin hanteras av din lokala auktoriserade återförsäljare/distributör. Var god kontakta din lokala auktoriserade återförsäljare/distributör för frågor angående garanti.



Vigtige Sikkerhedsforanstaltninger	2
Generel information	3
Installation	3
System Test	4
Brugsanvisning	4
LED indikationer	4
LCD skærm	4
Pose tilpasningsstykke	5
Hjælpeventil	5
Overophedningsbeskyttelse	5
Overbelastningsbeskyttelse	5
Symptomer og vedligeholdelse	5
Vedligeholdelse af filter	6
Filter papirpose	6
Problemløsning	6
Billeder	7

INDHOLD

Deres centralstøvsugersystem pakke består af følgende dele.



VIGTIGE SIKKERHEDSFORANSTALTNINGER

Når man anvender et elektronisk apparat, bør basisforholdsregler altid efterkommes, inklusive det følgende:

LÆS ALLE INSTRUKTIONER FØR DETTE STØVSUGERSYSTEM ANVENDES.

Denne centralstøvsugerenhed er beregnet til fjernelse af almindeligt husholdningsstøv.

ADVARSEL

Man reducerer risikoen for brand, elektrisk stød eller beskadigelse ved:

- Ikke at anvende den udendørs, eller på våde overflader.
- Ikke at blokere motorhjul eller ventilationsåbninger, samt røret på toppen af centralstøvsugerenheden. Mangel på ventilationsluftstrøm vil forårsage at motoren overopheder.
- Placér ikke centralstøvsugerenheden på et sted med høj temperatur, eller hvor den er utilgængelig, f.eks. på et loft eller i en krybekælder.
- Anbring centralstøvsugerenheden mindst 30 cm fra loftet eller enhver tilstødende væg, og mindst 70 cm fra gulvet. Dertil kommer, at man bør gennemse alle gældende regler og lovgivning.
- Tillad ikke at den anvendes som et legetøj. Nøje opmærksomhed er nødvendig, når den anvendes af, eller i nærheden af børn.
- Dette apparat er ikke beregnet til at blive brugt af personer (herunder børn) med nedsatte fysiske, sensoriske eller mentale evner eller mangel på erfaring og viden, med mindre disse er under opsyn eller er blevet instrueret i brug af apparatet af en person, som er ansvarlig for deres sikkerhed.
- Bør kun anvendes som beskrevet i denne manual. Anvend kun producentens anbefalede tilbehør.
- Må ikke anvendes med beskadiget ledning eller stikkontakt. Hvis støvsugeren ikke arbejder, som den skal, er blevet tabt, beskadiget, efterladt udendørs eller nedsænket i vand, skal den returneres til en lokal autoriseret forhandler/distributør.

- Tilslut kun til en korrekt jordet stikkontakt (se jordinstruktioner).
- Anvend ikke forlængerledninger eller stikkontakter med utilstrækkelig strømbelastning.
- Sluk for alle knapper før stikket tages ud.
- Træk ikke stikket ud ved at hive i ledningen. Man trækker stikket ud, ved at tage fat om stikket, ikke om ledningen.
- Håndtér ikke stikkontakt eller ledning med våde hænder.
- Anbring ikke nogen objekter i åbninger. Må ikke anvendes med nogen åbninger blokeret; holdes fri for støv, nullermænd, hår og alt der kan reducere luftstrømmen.
- Denne støvsuger fremstiller sugning. Hold hår, løst tøj, fingre og alle kroppsdele væk fra åbninger og bevægelige dele.
- Støvsug ikke noget op der brænder eller ryger, som cigaretter, tændstikker eller varm aske.
- Vær ekstra omhyggelig når der rengøres på trapper.
- Støvsug ikke brandbare eller let antændelige væsker, som benzin, eller anvend ikke i områder hvor de kan være til stede.
- Hold arbejdsområdet godt oplyst.
- Træk stikket ud af elektriske apparater før de støvsuges.
- Hvis den medfølgende ledning er beskadiget, skal den udskiftes med en specialledning der kan fås hos den autoriserede forhandler/distributør.
- Må ikke anvendes uden at støvpose og/eller filter sidder på plads.

GEM DISSE INSTRUKTIONER

GENEREL INFORMATION

Centralstøvsugeren er designet til opsugning af tørt husholdningsnavs og støv. Undgå at støvsuge hårde eller skarpe genstande med dette system, for at forhindre beskadigelse af slange, plastikrør eller tilstopninger.

Denne manual vil dække de sidste trin af strømenhedens installation i Deres hjem. Den vil ligeledes give den nødvendige information om vedligeholdelse og problemløsning, i det usandsynlige tilfælde at det skulle være nødvendigt. Såfremt De har brug for yderligere information om installation, eller forespørgsel om produktet, bedes De venligst kontakte Deres lokale autoriserede forhandler/distributør.

SIKKERHEDSUDSTYR INSTALLATION

Til væg og afdækningsforberedelser anbefales sikkerhedsudstyr, som hjelm, handsker, sikkerhedsbriller og hørebeskyttelse.



FORSIGTIG



Vær forsigtig når der bores huller i vægge, da gasrørledninger og vandrør samt elektriske ledninger kan være til stede.

Såfremt De har spørgsmål angående produktet, reservedele, service, garanti eller andet, bedes De venligst kontakte Deres lokale autoriserede forhandler eller distributør.

INSTRUKTIONER JORDFORBINDELSE

Dette apparat skal jordes. I tilfælde af funktionsfejl eller nedbrud giver jordforbindelse en sti af mindste modstand for elektrisk strøm for at reducere risikoen for elektrisk stød. Dette apparat er udstyret med en ledning der har en udstyrs-jordforbindelsesleder og en jordforbundet stikkontakt. Stikkontakten skal sættes i en korrekt udgang der er korrekt installeret og jordforbundet i overensstemmelse med alle lokale regler og forordninger.

ADVARSEL

Ukorrekt tilslutning af udstyrs-jordforbindelsesleder kan resultere i elektrisk stød. Foretag kontrol i samråd med en uddannet elektriker eller servicetekniker, hvis man er i tvivl om at stikkontakten er korrekt jordet, eller hvis stikkontakten ikke passer ind i en kontakt. Lad være med at ændre den stikkontakt der følger med apparatet.

ADVARSEL

Hvis den medfølgende ledning er beskadiget, skal den udskiftes med en specialledning der kan fås hos den autoriserede forhandler/distributør.

SERVICE INFORMATION

Instruktionerne i denne brochure tjener som en vejledning til sædvanlig vedligeholdelse. For yderligere information bedes man kontakte sin nærmeste autoriserede forhandler/distributør.

MÆRKATPLADE

Modeltype og serienumre er angivet på mærkatpladen der sidder på kontrolpanelet eller på motorhjelm. For hurtig og fuldstændig serviceinformation, bør man altid referere til disse numre når man forespørger om service.

ADVARSEL

Ikke-observans af sikkerhedsanvisningerne kan resultere i kropsbeskadigelse.

PRODUKTDIMENSIONER

Se side 7 - billede 1

ELEKTRISK OG ELEKTRONISK UDSTYRSAFFALD (WEEE)



Dette symbol på produktet eller dens emballage angiver at dette produkt ikke må behandles som husholdningsaffald. I stedet bør det overdrages til det anvendte indsamlingspunkt for genanvendelse af elektronisk og elektrisk udstyr. Ved at sikre at dette produkt bortskaffes korrekt, vil man være med til at forebygge potentielle negative konsekvenser for miljø og menneskeligt helbred, der på anden vis ville forekomme ved ukorrekt affaldsbehandling af dette produkt. For mere detaljeret information om dette produkt, bedes De venligst kontakte Deres stedlige affaldsbortskaffelsestjeneste, eller den forretning hvor De købte produktet.

INSTALLATION

Deres hjem er sikkert allerede tilpasset med systemet af plastik rør og indsugningsventiler, og De er klar til at installere den centrale støvsugerenhed. Hvis Deres hjem ikke er tilpasset til et centralt støvsugersystem, kan De, for at få Electrolux centralstøvsugersystemet installeret af en professionel, kontakte Deres lokale forhandler eller distributør eller De kan vælge at gøre det selv.

Den centrale støvsugerenhed bør placeres så langt væk som muligt fra det almindelige boligområde, og alligevel være tilgængeligt, så De kan fjerne smudsbeholderen, nå filteret og inspicere den centrale støvsugerenhed. En typisk placering vil være i en garage, hvor De kan støvsuge Deres bil eller garageområde, og hvor tømnning af smudsbeholder og rensning af filter vil være mere praktisk. Andre passende steder er i kælderen, vaskerummet eller i et ventileret opbevaringsrum.

FORSIGTIG



Vær forsigtig når der bores huller i vægge, da gasledninger og vandrør og elektriske ledninger kan være til stede. Huller i murværket er kun tilladt såfremt det ikke får indflydelse på dets stående stabilitet. Huller i træstivere bør bores. Afhængig af det materiale Deres hjem er bygget med, skal De anvende den korrekte forankring til ophængning af Deres støvsugerenhed. Støvsugerenheden glider let over på monteringskonsoller og klikker sig på plads.

Se side 7 - billede 3

- Placér centralstøvsugeren på et sted der ligger væk fra det almindelige boligområde. Det bør være nemt at tilslutte udstødningen til et ventilationsrør. Dette kan foretages uden hensyn til husets konstruktionsmateriale.
- Lokaliser de to svagstrømsledninger tæt på hovedrøret. Fjern isoleringen fra svagstrømsledningen. Indsæt svagstrømsledningen ind i fjedertryks svagstrømsstilslutningerne. Sikr at den lokale elforpligt overholdes.

Se side 7 - billede 4

- Sikr at der er en dertil beregnet elektrisk stikkontakt til støvsugerenheden.
- Tilslut Deres CSS med den medfølgende strømledning.

Deres Electrolux Oxygen CSS behøver ikke samling med en lyd-dæmper. Deres CSS har lyd-dæmperen installeret internt. Imidlertid ønsker De måske at udlede luften udenfor. I dette tilfælde skal De påsætte udstødningstilpasningsstykket. Dette vil konvertere størrelsen på udstødningen til centralstøvsugerrørets diameter.

Se side 7 - billede 5

- Placér støvsugerenheden således at udstødningsrøret bliver så kort som muligt. Udstødninger bør begrænses til ikke længere end 5 meter.
- Hold for øje, at der kan være brug for plads på siderne af Deres støvsugerenhed for at man kan få adgang til smudsbeholderen.

Se side 7 - billede 6

- Tilpas støvsugerenhedens indsugningsindsætning til den hovedledning der udgår fra væggen. Påsæt udstødningsrøret til motorudstødningen, hvis udstødningen skal gå udendørs. Sikr at udstødningsrøret er så kort som muligt.

BEMÆRK: Montér støvsugerenheden mindst 30 cm fra loftet og alle tilstødende vægge, mindst 70 cm fra gulvet og indenfor 1,8 m fra en elektrisk stikkontakt. Gennemse alle gældende lokale regulativer.

Se side 7 - billede 2

ADVARSEL

Blokér ikke ventilationsaftræksåbningerne på toppen af den centrale støvsugerenhed. Mangel på ventilation vil forårsage at motoren overopheder.

ADVARSEL

Placér ikke centralstøvsugerenheden på et sted med høj temperatur, eller hvor den er utilgængelig, f.eks. på et loft eller i en krybekælder.

Til den ultimative luftkontrol har man det ægte True HEPA filter, der kan medfølge ved valget af støvsugerenhed, eller kan købes hos en autoriseret forhandler/distributør. Påsæt simpelthen det ægte True HEPA filter som vist.

Se side 7 - billede 7

SYSTEMTEST

Sikr at den lokale elovgivning overholdes. Tilslut enheden til en regulær elektrisk stikkontakt. Man er nu klar til at kontrollere enhedens installation:

- Sikr at filteret er korrekt installeret i støvsugerenheden.
- Sikr at smudsbeholderen er korrekt fastgjort til støvsugerenheden.
- Tilslut slangen til hver indsugningsventil for at sikre at de elektriske kontakter virker korrekt.
- Kontrollér hver indsugningsventil for luftlækager.
- Kontrollér hver rørtilslutning for luftlækager.

Se side 7 - billede 8

HVORDAN MAN ANVENDER DET CENTRALE STØVSUGERSYSTEM

Deres centrale støvsugersystem bliver kontrolleret af en kontakt på Deres slange. Isæt simpelthen slangen ind i ventilen og drej kontakten til ON [TIL] stilling. Dette vil starte støvsugerenheden og luftstrømmen.

Når man er færdig, drejes kontakten på slangen til OFF [FRA] stilling og slangen fjernes fra udsugningsventilen. Når man frakobler slangen, holdes udsugningskappen åben i nogle få sekunder for at mindske suget, således beskyttes indsugningsventilpakningen.

Se side 7 - billede 8

LED INDIKATIONER - VALGFRI AFHÆNGIG AF MODEL

Deres maskine kan være udstyret med nogle eller alle de indikatorer der nævnes nedenfor.

Se side 7 - billede 9



On/Off [Til/Fra]



Motorfejl



Smuds beholder fuld



Nulstil

Deres støvsugerenhed er udstyret med et flerfarvet LED panel. Dette LED panel vil give Dem nødvendig information om deres støvsugerenheds drift, vedligeholdelse og symptomer. Nedenfor ses beskrivelser af de forskellige meddelelser som støvsugerenheden vil give.

NORMAL DRIFT

Når støvsugerenheden står på OFF og regnes for at være i standby modus, vil LED knappen være RØD.

Når støvsugerenheden står på ON og er i brug, vil LED knappen være GRØN. Når motorfejlyset står på ON, se yderligere beskrivelse nedenfor. Når smudsbeholderlyset står på ON, skal smudsbeholderen tømmes, tryk på RESET [NULSTIL] knappen og hold den nede i 10 sekunder.

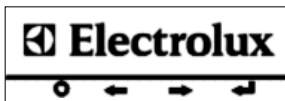
MOTORFEJL

I tilfælde af, en sprunget sikring, eller frakoblet motorledning, og støvsugeren ikke virker, vil de RØDE, GRØNNE og RAVGULE lys forblive konstant tændte.

I tilfælde af et overstrømsnedbrud, vil ON/OFF knappens røde lys blinke, det GRØNNE lys vil slukkes og tændes hurtigt, og MOTORFEJL lyset vil blive RAVGULT og tændes og slukkes hurtigt. Denne fejl vil automatisk blive nulstillet i løbet af 15 sekunder hvis svagstrømstilslutningen står på OFF på slangen. I tilfælde af fortsat overstrøm og lavspændingstilslutningen står på ON og slangen, vil ON/OFF knappens RØDE lys konstant være tændt, det GRØNNE lys vil blinke langsomt, og MOTORFEJL lyset vil langsomt blinke RAVGULT.

I det usandsynlige tilfælde at støvsugerenheden har modtaget en dårlig frekvens, vil støvsugerenheden ikke starte og ON/OFF knappens RØDE lys vil forblive konstant tændt. I tilfælde af at støvsugerenheden har modtaget en høj spænding, vil ON/OFF knappen skifte mellem RØD og GRØN tre gange - pause kort - skifte mellem RØD og GRØN tre gange - lang pause - og derefter gentages. Dette vil fortsætte indtil den høje spænding vender tilbage til det korrekte niveau.

LCD SKÆRM - VALGFRI



Se side 7 - billede 8

På LCD hovedskærmen, vil Electrolux logoet fremkomme. Dette logo kan rulle fra side til side for at undgå at billedet rodfæster sig selv på LCD skærmen. Man vil se logoet når støvsugerenheden ikke er i brug.

Den knap der bedst identificerer sig med effektsymbolet på skærmen kan anvendes til at aktivere enheden med. Tryk på denne knap for at tænde eller slukke for enheden. Enheden kan ligeledes aktiveres fra enhver installeret indsugning.

Når LCD støvsugerenheden står på standby modus, vil de fire hvide lys på LCD enheden lyse op efter hinanden og skiftevis bevæge sig fra venstre til højre når der skiftes fra højre til venstre. Dette mønster vil fortsat gentage sig og er en angivelse af at støvsugerenheden er klar til brug og virker korrekt.

I BRUG



Når den er i brug, bliver strømindikatorene grønne. De 4 progressive udførelsesbjælker vil fremkomme. En normal funktionsdygtig enhed bør have alle 4 udførelsesbjælker oplyst. Hvis der konstant er mindre end 2 bjælker, bør man kontrollere problemet. Mulige problemer der skyldes at udførelsesbjælkerne bliver færre kunne være:

1. Blokeret sug på slangeenden
2. Tilstoppet rørsystem
3. Der anvendes et luftbegrænsende værktøj, som et sprækkeværktøj
4. Fuld smudsbeholder
5. Tilstoppet filtersystem

TØM SMUDSBEHOLDER



Efter hver 25 timers anvendelse (ca. 6 måneder) vil tøm smudsbeholder indikatoren blinke på skærmen. Dette er en angivelse for at kontrollere smudsbeholderen og tømme den. Da dette er tidsbaseret, kan man finde smudsbeholderen for tom eller for fuld. Hvis man har kæledyr, et værksted eller andre faktorer der forårsager affald oftere, kan man ønske at kontrollere smudsbeholderen oftere.

Når smudsbeholderen er tømt, skubber man på returknappen for at nulstille 25 timers timeren. Hvis strømforsyningen er afbrudt, eller på anden vis slået fra, vil smudsbeholderindikatoren beholde dens sidste status' hukommelse, og fortsætte med at tælle.

Man nulstiller Tøm smudsbeholderindikatoren manuelt ved at trykke den knap der matcher Enter symbolet og holder den nede i 10 sekunder.

LIVSTIDSMÅLER



Livstidsmåleren har 8 bjælker. Når disse bjælker er udløbet vil Deres enhed fortsætte med at køre, selvom det kraftigt anbefales at De bringer den til Deres lokale autoriserede forhandler/distributør for gennemsyn og service. En livstidsbjælke vil udløbe efter hver 65 timers støvsugerbrug, hvilket betyder at Deres centralstøvsuger vil holde i lang tid. Livstidsmåleren kan kun nulstilles af Deres serviceteknikker. Hvis strømforsyningen bliver afbrudt, eller på anden vis slået fra, vil livstidsmåleren beholde dens sidste status' hukommelse, og fortsætte med at tælle.

SERVICEINDIKATOR



Hvis der forekommer en systemfejl, eller fejlfunktion med Deres støvsugerenhed vil serviceindikatoren blinke. Når man ser dette symbol anbefaler vi at man slukker for støvsugerenheden, trækker stikket ud i 10 sekunder og sætter stikket i igen. Hvis servicesymbolet stadigvæk vises på skærmen, anbefaler vi at man ringer efter service.

Dette symbol kan fremkomme pga. af følgende fejl:

- Motorproblem
- Elektronisk problem
- Spændings eller strømproblem (for høj eller for lav)
- Støvsugerenhed svarer ikke på elektronik

RULNING AF LCD SKÆRM



Når den ikke er i brug, kan man rulle gennem LCD skærmens egenskaber for at observere smudsbeholderstatus, livstidsmåler overvåger, eller det sidst noterede strømniveau.

Man ruller gennem disse egenskaber ved at trykke på den tilsvarende knap med det pilesymbol der peger til højre.

Livstidsmåleren er den næste skærm man vil få at se. Rul længere til højre og man ser Bucket (spand) status. Endnu et rul vil vise støvsugerenhedens sidst noterede udførelsesniveauer, ved hjælp af Udførelsesmåleren på I-brug skærmen. Det sidste rul til højre vil vise kundeservice telefonnummer.

Den knap der matcher med den venstre rulleknap, vil tillade at man ruller tilbage gennem skærmene.

POSETILPASNINGSTYKKE

Deres støvsugerenhed kan være forsynet med en praktisk papirpose til mere praktisk smudsbortskaffelse. Se venligst Papirpose filtersektionen under Filter vedligeholdelse, om vedligeholdelse af papirposen.

Se side 7 - billede 10

HJÆLPEVENTIL

Hjælpeventilen ligner indsugningsventilen, men er placeret tæt på støvsugerenheden. Denne ventil findes for bekvemmelighed, da den kan hjælpe med til at rengøre spildt snavs tæt på centralstøvsugeren.

OVEROPHEDNINGSBESKYTTELSE

Hvis kredsløbet bliver for varmt, vil støvsugerenheden ikke arbejde, og LED vil være fra, eller på LCD modeller vil skærmen blinke. I tilfælde af disse problemer, trykkes der på On/Off knappen, stikket trækkes ud, eller der ventes på at temperaturen sænkes. Varer problemet ved, kontaktes Deres autoriserede forhandler eller distributør.

Se side 7 - billede 9

OVERBELASTNINGSBESKYTTELSE

Centralstøvsugersystemet anvender funktioner der overvåger følgende driftsniveauer: Vekselspænding og aktuel strøm. Hvis spændingen er under eller over standarddriftsspænding, højspænding eller låst rotor, vil støvsugerenheden ikke arbejde. I dette tilfælde vil On/Off knappen blinke indtil problemet formindskes, eller på LCD modellen vil skærmen blinke. Varer problemet ved, kontaktes Deres autoriserede forhandler eller distributør. Støvsugerenheden har brug for 30 minutter til nedkøling.

Se side 7 - billede 9

SYMPTOMER OG VEDLIGEHOLDELSE

Reduceret luftstrøm eller sugning indikerer at det centrale støvsugersystem ikke arbejder med maksimal effektivitet. Hvis smudsbeholderen er fuld og filteret er tilstoppet, kan luft ikke passere gennem enheden, og rengøring kan ikke finde sted. Instruktionerne i brochuren tjener som en vejledning til sædvanlig vedligeholdelse. Korrekt luftstrøm eller sugning kan opretholdes ved, henholdsvis at holde smudsbeholder og filter rent, og plastikrør og slange fri for tilstopninger.

TØMNING AF SMUDSBEHOLDEREN

De fleste modeller har smudsbeholdere med vinduer, hvor man med et blik kan se når smudsbeholderen bør tømmes. I de fleste tilfælde er det kun nødvendigt at tømme smudsbeholderen to til tre (2-3) gange om året. Man fjerner smudsbeholderen ved at trykke på knapperne på beholderens håndtag. Fjern og tøm indholdet. Returnér beholderen ved at påsætte spanden på støvsugerenheden. For at undgå sugetab sikres det, at beholderen er sikkert påsat.

Se side 7 - billede 11

VEDLIGEHOLDELSE AF FILTER

Electrolux's eksklusive filter er bestandigt og selvrensende. Hvis De imidlertid har spørgsmål om deres bestandige selvrensende filter, bedes De venligst kontakte Deres lokale autoriserede forhandler/distributør.

PAPIRPOSEFILTRE - VALGFRI

Papirposen rummer 22 liter. En fuld støvpose reducerer systemets ydelse. Afhængigt af hvor ofte man anvender sit centrale støvsugersystem, kan det være nødvendigt at udskifte støvposen 2-3 gange pr. år - og de kan fås hos Deres lokale forhandler/distributør.

Instruktioner til udskiftning af støvpose:

1. Fjern støvsugerenhedens smudsbeholder
2. Løsn støvposen fra indsugningsrøret, fjern og bortskaf.
3. Placér og tryk den nye støvpose fast ind i røret. Drej støvposens åbning for at fastgøre den fast på røret.
4. Sæt smudsbeholderen tilbage på den centrale støvsugerenhed.

HVIS MAN OPLEVER PROBLEMER MED SIT ELECTROLUX CENTRALE STØVSUGERSYSTEM, BØR MAN FØLGE FORSLAGENE NEDENFOR FØR SERVICE TILKALDES.

DELVIST/FULDSTÆNDIGT TAB AF SUGEKRAFT

- Sikr at smudsbeholderen er korrekt påsat.
- Tøm smudsbeholderen.
- Fjern stumper fra filter.
- Sikr at hver indsugningsventil er ordentligt lukket.

RYD BLOKADE I RØR

Blokader i slangen

Tilslut slangen til enhver indsugningsventil. Hvis der ikke er noget sug gennem slangen efter tilslutning til nogle indsugninger, findes blokaden i slangen. For at rydde slangetilstopningen, isættes et stump instrument ind i slangen (haveslange, trædyvel). Man kan også forsøge at omvende suget gennem slangen for at fjerne blokaden.

Se side 7 - billede 12 og 13

Hvis der er en udsugningsventil uden normalt sug, og man har kontrolleret slangen for blokade, så findes blokaden i rørsystemet mellem den blokerede indsugningsventil og støvsugerenheden (se instruktioner nedenfor).

Isæt slangen ind i indsugningsventilen hvor der ikke er noget sug, hold hånden over slangeenden. Udløs hurtigt hånden. Gentag adskillige gange. Hvis blokaden ikke ryddes, kontaktes Deres nærmeste Electrolux forhandler/distributør.

STØVSUGERENHEDEN VIL IKKE STARTE

- Kontrollér for sprungen sikring eller kredsløbsafbryder i hovedhusets elektriske forsyningsboks.
- Træk stikket ud og kontroller alle vægkontakter og svagstrømsstilslutninger for løse ledninger.
- Hvis enheden stadig ikke vil starte, kontaktes Deres nærmeste lokale autoriserede forhandler/distributør.

STØVSUGERENHEDEN VIL IKKE STOPPE

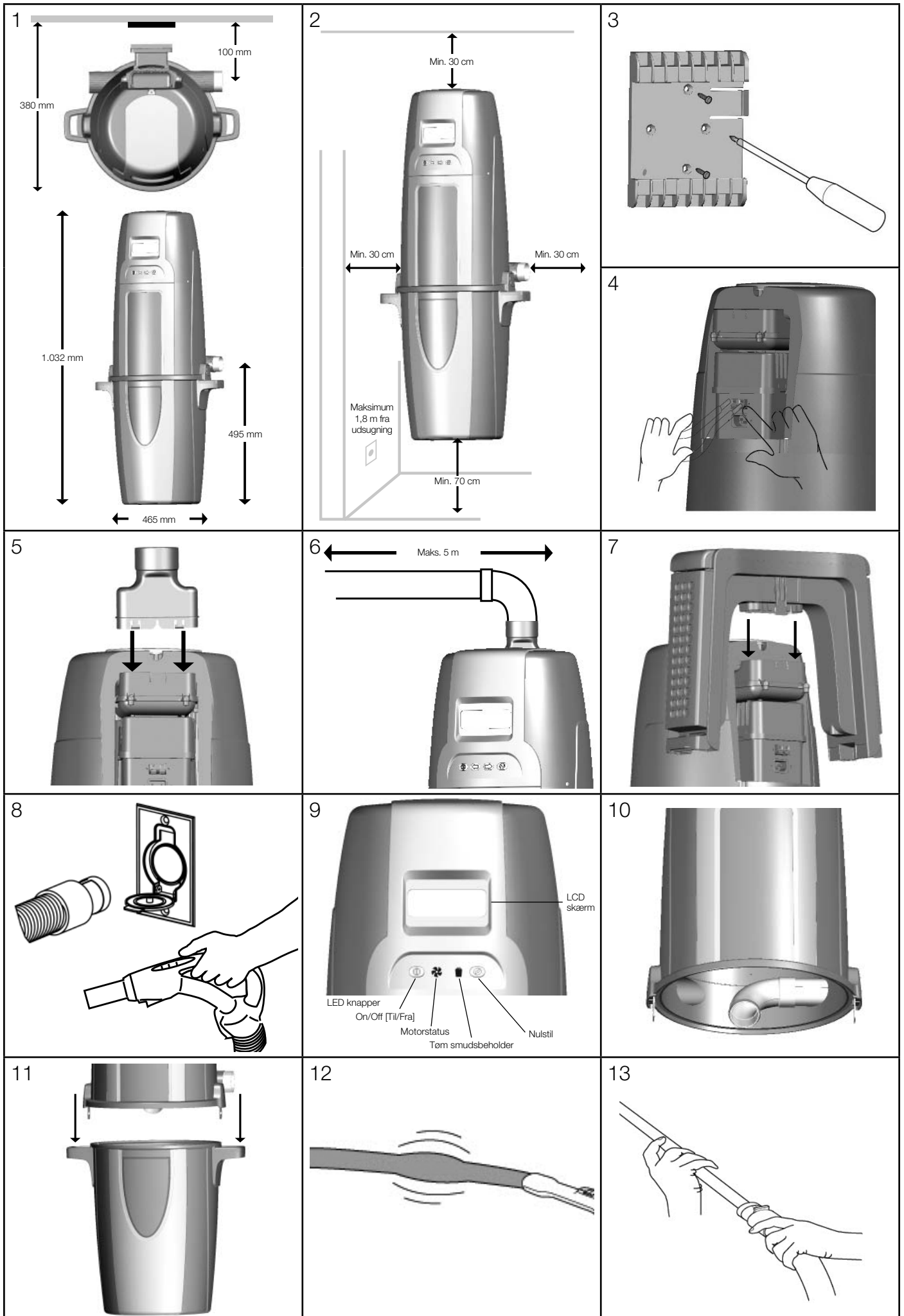
- Kontrollér inde i hver indsugningsventil for tilstopning af svagstrømskontakter. Hvis De ikke kan se nogen tilstopning, frakobler De støvsugeren fra strømbekholderen, og kontakter Deres nærmeste lokale autoriserede forhandler/distributør.

DEN CENTRALE STØVSUGERENHED SLUKKER AF SIG SELV

- Fjern og genindsæt derefter slangen i indsugningen, eller vip den kontakt der sidder på slangehåndtaget off-on. Se "Overbelastningsbeskyttelse".

GARANTI

Deres lokale autoriserede forhandler/distributør tager sig af garanti. Kontakt venligst Deres lokale autoriserede forhandler/distributør om spørgsmål der handler om garanti.



Viktige sikkerhetsordninger	2
Generell informasjon	3
Installasjon	3
Systemtest	4
Bruerveiledning	4
LED-indikasjoner	4
LCD-skjerm	4
Poseadapter	5
Nytteventil	5
Overopphetingsvern	5
Overlastvern	5
Diagnostikk og vedlikehold	5
Filtervedlikehold	6
Papirposefilter	6
Problemløsning	6
Bilder	7



VIKTIGE SIKKERHETSORDNINGER

Ved bruk av et elektrisk apparat bør man alltid følge grunnleggende forsiktighetsregler, inkludert følgende:

LES ALLE INSTRUKSJONER FØR BRUK AV DENNE SENTRALSTØVSUGEREN.

Denne strømenheten for sentralstøvsuger er beregnet for fjerning av normalt husholdningsstøv.

ADVARSEL

For å redusere faren for brann, elektrisk støt eller skade:

- Ikke bruk utendørs eller på våte overflater.
- Ikke dekk til motorlokket eller ventilasjonsåpninger og kanaler på toppen av strømenheten. Uten luftventilasjon vil motoren overopphetes.
- Plasser ikke strømenheten i et område med høy temperatur eller et sted hvor den er vanskelig tilgjengelig, f.eks. loft eller krypkjeller.
- Monter strømenheten minimum 30 cm fra tak eller tilstøtende vegg og minst 70 cm fra gulvet. Gå i tillegg gjennom lokale forskrifter og reguleringer som kan gjelde.
- Må ikke brukes som et leketøy. Oppmerksomhet er nødvendig når den brukes av eller nær barn.
- Dette apparatet er ikke beregnet for å bli brukt av personer (inkludert barn) med redusert fysisk-, sanselig- eller mental kapasitet, eller mangel på erfaring og kunnskap, med mindre de er under oppsyn eller har fått instruksjon om bruk av apparatet av en person som er ansvarlig for deres sikkerhet.
- Bruk kun som beskrevet i denne veiledningen. Bruk kun tilbehør som er anbefalt av produsenten.
- Ikke bruk med skadet ledning eller kontakt. Hvis støvsugeren ikke virker som den skal, har blitt mistet, skadet, glemt utendørs eller mistet i vann, returner den til en lokal autorisert forhandler/distributor.

- Må kun kobles til riktig jordet uttak (se instruksjoner for jording).
- Ikke bruk skjoteledninger eller uttak uten tilstrekkelig spenningskapasitet.
- Skru av alle kontroller før frakobling.
- Ikke koble fra ved å trekke i ledningen. Ta tak i kontakten for å koble fra, ikke ledningen.
- Ikke håndter kontakt eller ledning med våte hender.
- Putt ikke noen objekter i åpninger. Ikke bruk med blokkerte åpninger; hold fri for støv, lo, hår og alt som kan redusere luftstrømmen.
- Denne støvsugeren danner avsug. Hold hår, løse klær, fingre og alle kroppsdeler unna åpninger og bevegelige deler.
- Ikke plukk opp noe som brenner eller ryker, som sigaretter, fyrstikker eller varm aske.
- Vær ekstra oppmerksom ved rengjøring av trapper.
- Ikke plukk opp brennbare eller lettantennelige væsker som bensin, og bruk ikke i områder hvor slike væsker kan finnes.
- Hold arbeidsområdet godt opplyst.
- Koble fra elektriske apparater før de støvsuges.
- Hvis den leverte strømkabelen er skadet må den skiftes ut med en egen kabel som er tilgjengelig fra din autoriserte lokale forhandler/distributor.
- Ikke bruk uten at støvpose og/eller filter er på plass.

TA VARE PÅ DISSE INSTRUKSJONENE

Generell informasjon

Sentralstøvsugeren er designet for å plukke opp tørt husholdningssmuss og støv. Unngå å plukke opp harde eller skarpe objekter med dette systemet for å unngå skader eller tilstopping på slange og plastrør.

Denne brukerveiledningen dekker sluttstegene for installasjon av strømenheten i ditt hjem. Den gir også nødvendig informasjon for vedlikehold og problemløsning selv om det er lite trolig at du vil trenge det. Hvis du trenger mer informasjon om installasjon eller har flere spørsmål om produktet, vennligst kontakt din lokale forhandler/distributør.

SIKKERHETSUTSTYR FOR INSTALLASJON

For klargjøring av vegg og deksel anbefales sikkerhetsutstyr som hjelm, hansker, vernebriller og hørselvern.



FORSIKTIG



Utvis forsiktighet ved boring av hull i vegger hvor gassledninger, vann rør og elektriske kabler kan befinne seg.

Hvis du har spørsmål angående produktet, reservedeler, service, garanti eller andre ting, vennligst kontakt din lokale autoriserte forhandler eller distributør.

JORDINGSINSTRUKSJONER

Dette apparatet må jordes. Hvis det skulle klikke eller bryte sammen vil jording gi en bane med minste motstands vei for elektrisk spenning for å redusere risikoen for elektrisk støt. Dette apparatet er utstyrt med en kabel som har en apparat-jordingsleder og jordet kontakt. Kontakten må plugges i et egnet uttak som er riktig installert og jordet i samsvar med alle lokale forskrifter og forordninger.

ADVARSEL

Feil tilkobling av apparat-jordingsleder kan føre til elektrisk støt. Sjekk med en kvalifisert elektriker om du er i tvil om hvorvidt uttaket er riktig jordet eller om kontakten ikke passer i uttaket. Ikke modifier kontakten som fulgte med apparatet.

ADVARSEL

Hvis den leverte strømkabelen er skadet må den skiftes ut med en egen kabel som er tilgjengelig fra din autoriserte lokale forhandler/distributør.

SERVICEINFORMASJON

Instruksjonene i denne brosjyren tjener som en veileder for rutinevedlikehold. For ytterligere informasjon, kontakt din nærmeste autoriserte forhandler/distributør.

MERKEPLATE

Modell-, type- og serienummer er angitt på merkeplaten som befinner seg på kontrollpanelet eller motordekselet. For rask og fullstendig serviceinformasjon, oppgi alltid disse numrene ved forespørsel om service.

ADVARSEL

Å ikke følge sikkerhetsinstruksjonene kan føre til personskade.

PRODUKTDIMENSJONER

Se side 7 - Bilde 1

KAST AV ELEKTRISK OG ELEKTRONISK UTSTYR (EE-AVFALL)



Dette symbolet på produktet eller emballasjen indikerer at dette produktet ikke kan behandles som husholdningsavfall. I stedet skal det overlates til egnet innsamlingspunkt for resirkulering av elektronikk og elektrisk utstyr. Ved å sørge for at dette produktet avhendes korrekt vil du hjelpe med å forebygge potensielt negative konsekvenser for miljø og menneskelig helse som ellers kunne forårsakes av utilbørlig avhending av dette produktet. For mer detaljert informasjon om dette produktet, vennligst kontakt ditt lokale avfallsselskap eller butikken hvor du kjøpte produktet.

INSTALLASJON

Hjemmet ditt er sannsynligvis allerede utstyrt med et system av plast rør og inntaksventiler og du er dermed klar til installere den sentrale strømenheten. Hvis hjemmet ditt ikke er utstyrt for et sentralstøvsugersystem kan du gjøre en avtale om å få Electrolux sentralstøvsugersystem installert av en fagmann ved å kontakte din lokale forhandler/distributør eller velge å gjøre det selv.

Den sentrale strømenheten bør plasseres så langt unna det allmenne boarealet som mulig, dog tilgjengelig så du kan fjerne smussbeholderen, nå filteret og inspisere den sentrale strømenheten. En typisk plassering ville være i en garasje hvor du kan støvsuge din bil og ditt garasjeområde, og hvor tømning av smussbeholderen og rengjøring av filteret ville være mer beileilig. Andre egnede plasseringer er i kjelleren, vaskerom eller ventilert lagringsrom.

FORSIKTIG



Utvis forsiktighet ved boring av hull i vegger hvor gassledninger, vannrør og elektriske kabler kan befinne seg. Hull i mur er kun tillatelig om murens stabilitet ikke blir påvirket. Hull i trestendere bør bores. Avhengig av hvilket materiale ditt hus er bygget av, bruk egnede ankre for å henge opp din strømenhet. Strømenheten gli lett på monteringsbraketten og klikkes på plass.

Se side 7 - Bilde 3

- Plasser den sentrale strømenheten på et sted hvor den er borte fra det allmenne boarealet. Utblåsningen kan enkelt kobles til et ventilasjonsrør. Dette kan gjøres uten hensyn til husets bygningsmateriale.

- Lokaliser de to lavspenningskablene nær hovedrøret. Fjern isolasjonen fra lavspenningskabelen. Koble lavspenningskabelen i de fjærbelastede lavspenningskoblingene. Forsikre at du overholder lokale elektriske regler og forskrifter.

Se side 7 - Bilde 4

- Forsikre at det finnes et egnet strømuttak for strømenheten.
- Koble til ditt sentralstøvsugersystem med strømkabelen som fulgte med.

Ditt Electrolux Oxygen sentralstøvsugersystem krever ikke montering av en eksospotte. Ditt sentralstøvsugersystem har en internt montert eksospotte. Du kan imidlertid ønske å tømme luften utendørs. I det tilfellet vil du måtte koble til utblåsningsadapteret. Dette vil konvertere størrelsen på utblåsningen til diameteren på det sentrale støvsugerrøret.

Se side 7 - Bilde 5

- Plasser strømenheten så utblåsningsrøret blir så kort som mulig. Utblåsningsrøret bør ikke være lenger enn 5 meter.
- Husk at du kan trenge rom på sidene av sentralenheten for å komme til smussbeholderen.

Se side 7 - Bilde 6

- Rett inn strømenhetens inntak til hovedledningens bane fra veggen.
BRUK IKKE LIM. Koble utblåsningsrøret til motoreksosen om du skal tømme luften utendørs. Forsikre at utblåsningsrøret er så kort som mulig.

MERK: Monter den sentrale strømenheten minst 30 cm fra taket og tilstøtende vegg, minst 70 cm fra gulvet og innen 1,8 meter fra et elektrisk uttak. Se gjennom alle lokale forskrifter som kan gjelde.

Se side 7 - Bilde 2

ADVARSEL

Ikke blokker ventilasjonsåpningene på hetten på toppen av den sentrale strømenheten. Uten luftventilasjon vil motoren overopphetes.

ADVARSEL

Plasser ikke strømenheten i et område med høy temperatur eller et sted hvor den er vanskelig tilgjengelig, f.eks. loft eller krypkjeller.

For det ultimate innen luftkontroll har du et ekte True HEPA-filter som kan integreres med din valgte strømenhet eller det kan kjøpes fra en autorisert forhandler/distributør. Koble bare til det ekte True HEPA-filteret som vist.

Se side 7 - Bilde 7

SYSTEMTEST

Forsikre at du overholder lokale elektriske regler og forskrifter. Koble enheten til et vanlig elektrisk uttak. Du er nå klar til å sjekke installasjonen av enheten:

- Forsikre at filteret er skikkelig installert i strømenheten.
- Forsikre at smussbeholderen er festet skikkelig til strømenheten.
- Sett slangen i hver inntaksventil for å kontrollere at de elektriske kontaktene fungerer som de skal.
- Kontroller hver inntaksventil for luftlekkasjer.
- Kontroller hver rørkobling for luftlekkasjer.

Se side 7 - Bilde 8

HVORDAN BRUKE SENTRALSTØVSUGERSYSTEM

Ditt sentralstøvsugersystem kontrolleres av en bryter på slangen din. Bare sett slangen i ventilen og skru bryteren til posisjonen på. Dette vil starte strømenheten og luftflyten.

Når du er ferdig, skru bryteren på slangen til posisjonen av og fjern slangen fra inntaksventilen. Når du kobler fra slangen, hold dekslet for inntaket åpent i noen få sekunder for å la suget avta, dette for å beskytte pakningen i inntaksventilen.

Se side 7 - Bilde 8

LED-INDIKASJONER - VALGFRI, AVHENGIG AV MODELL

Din maskin kan være utstyrt med noen eller alle indikatorene som er listet under.

Se side 7 - Bilde 9



På/Av



Motorfeil



Smuss Beholder Full



Tilbakestill

Din strømenhet er utstyrt med et multifarget LED-panel. Dette LED-panelet vil gi deg nødvendig informasjon om din strømenhets ytelse, vedlikehold og diagnostikk. Under er det beskrivelser av de forskjellige meldingene som strømenheten vil gi.

NORMAL DRIFT

Når strømenheten er AV og ansett for å være i ventemodus vil LED-knappen være RØD.

Når strømenheten er PÅ og i bruk vil LED være GRØNN. Når lyset for motorfeil er PÅ, se ytterligere beskrivelse under. Når lyset for smussbeholderen er PÅ, tøm smussbeholderen, trykk TILBAKESTILL-knappen og hold den inne i 10 sekunder.

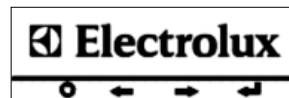
MOTORFEIL

Ved tilfelle av en gått sikring eller en brutt motorledning og når strømenheten ikke fungerer vil lysene RØD, GRØNN og GUL forbli konstant lysende.

Ved tilfelle av en overspenningsstopp vil PÅ/AV-knappen blinke RØDT, det GRØNNE lyset vil blinke raskt og lampen for MOTORFEIL vil være GUL og blinke raskt. Denne feilen vil automatisk bli tilbakestilt etter 15 sekunder om lavspenningkoblingen er AV ved slangen. Ved tilfelle av en kontinuerlig overspenning og lavspenningkoblingen er PÅ ved slangen, vil AV/PÅ-knappen være konstant RØD, det GRØNNE lyset vil blinke sakte og MOTORFEIL vil blinke sakte GULT.

Ved det lite sannsynlige tilfellet at strømenheten mottar en dårlig frekvens, vil strømenheten ikke starte og AV/PÅ-knappen vil forbli konstant RØD. Ved det tilfellet at strømenheten har mottatt en høyspenning vil AV/PÅ-knappen alternere mellom RØD og GRØNN tre ganger - pause kort - alternere mellom RØD og GRØNN tre ganger - lang pause - og deretter gjenta. Dette vil gjentas inntil spenningen går tilbake til riktig nivå.

LCD-SKJERM - VALGFRI



Se side 7 - Bilde 8

Electrolux-logoen vil komme frem på hovedskjermen i LCD. Denne logoen kan rulle fra side til side for å unngå at bildet fester seg på LCD-displayet. Du vil se logoen når strømenheten ikke er i bruk.

Den knappen som er mest i linje med strømsymbolet på skjermen kan brukes for å aktivere enheten. Trykk på denne knappen for å veksle enheten mellom på og av. Enheten kan også aktiveres fra ethvert installert inntak.

Når din LCD strømenhet er i ventemodus vil de fire hvite lysene på din LCD-enhet lyse opp i rekkefølge og alternere mellom å bevege seg fra venstre til høyre og deretter reversere høyre til venstre. Dette mønsteret vil gjentas kontinuerlig og er en indikasjon på at din strømenhet er klar for bruk og fungerer skikkelig.

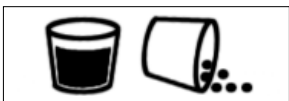
I BRUK



Når den er i bruk vil strømindikatoren bli grønn. De 4 progressive ytelses-stolpene kommer frem. En normalt fungerende enhet skal ha alle 4 ytelses-stolper tent. Hvis det er kontinuerlig mindre enn 2 stolper bør du kontrollere for problemer. Mulige årsaker til at ytelses-stolpene minker kan være:

1. Blokkert sug ved slangeenden
2. Tilstoppet rør i systemet
3. Bruk av luftkrevende verktøy, som et spalteverktøy
4. Full smussbeholder
5. Tilstoppet filtersystem

TØM SMUSSBEHOLDER



Etter 25 timers bruk (omtrent 6 mnd) vil indikatoren for tømning av smussbeholderen blinke på skjermen. Dette er en indikator for kontroll og tømning av smussbeholderen. Ettersom dette er tidsbasert kan du finne smussbeholderen for tom eller for full. Om du har kjæledyr, verksted eller andre faktorer som produserer mer avfall kan du ønske å sjekke smussbeholderen oftere.

Når smussbeholderen er tømt trykker du returknappen for å tilbakestille timeren for de 25 timene. Hvis strømforsyningen din blir avbrutt eller på andre måter koblet fra vil indikatoren for tømning av smussbeholderen beholde et minne for sin foregående status og fortsette målingen av tid.

For å tilbakestille indikatoren for tømning av smussbeholderen manuelt, trykk bare knappen som er på linje med Enter-symbolet og hold den inne i 10 sekunder.

LIVSMÅLER



Livsmåleren har 8 stolper. Når disse stolpene er tømt vil din enhet fortsatt virke selv om det er sterkt anbefalt å ta den til din lokale autoriserte forhandler/distributør for inspeksjon og service. En levetids-stolpe vil tømmes for hver 65. time støvsuger er i bruk, noe som betyr at din sentralstøvsuger vil ha en lengre servicelevetid for deg. Livsmåleren kan kun tilbakestilles av din servicetekniker. Hvis strømforsyningen din blir avbrutt eller på andre måter koblet fra vil indikatoren for tømning av smussbeholderen beholde et minne for sin foregående status og fortsette målingen av tid.

SERVICEINDIKATOR



Hvis det er en systemfeil eller feil på din strømenhet vil serviceindikatoren blinke. Når du ser dette symbolet anbefaler vi at du skruv strømenheten av, kobler fra strømforsyningen i 10 sekunder og deretter kobler det til igjen. Hvis servicesymbolet fortsatt vises på skjermen anbefaler vi at du ringer etter service.

Dette symbolet kan komme frem på grunn av følgende feil:

- Motorproblem
- Elektronisk problem
- Spennings- eller strømproblem (for høy eller for lav)
- Strømenheten responderer ikke på elektronikken

RULLE PÅ DIN LCD



Når den ikke er i bruk kan du rulle gjennom funksjonene på din LCD for å observere status for smussbeholderen, livsmåleren eller sist bokførte strømnivå.

For å rulle gjennom disse funksjonene trykker du bare på knappen som korresponderer med høyre pilsymbol.

Den neste skjermen du ser er Livsmåleren. Rull videre til høyre og du finner Bøttestatus. Ytterligere en rulling vil vise deg sist bokførte ytelsesnivåer for strømenheten ved bruk av ytelsesmåleren på skjermen som er i bruk. Den siste rulling til høyre vil vise deg telefonnummeret til kundeservice.

Knappen som er på linje med knappen for rulling til venstre vil la deg rulle bakover gjennom skjermene.

POSEADAPTER

Din strømenhet kan utstyres med en passende papirpose for mer beiligg avhending av smuss. For vedlikehold av papirposen, se avsnittet Papirposefilter, under Filtervedlikehold.

Se side 7 - Bilde 10

NYTTEVENTIL

Nytteventilen er samme som en Inntaksventil men den er plassert nær strømenheten. Denne ventilen er der for din bekvemmelighet ettersom den gjør det enklere å rengjøre smuss nær sentralenheten.

OVEROPPHETINGSVERN

Hvis kretskortet når en forhøyet temperatur vil ikke strømenheten virke og LED vil være av, og på modeller med LCD vil skjermen blinke. Ved slike problemer, trykk På/Av-knappen, koble fra slangen eller vent til temperaturen synker. Hvis problemet vedvarer kontakt din autoriserte forhandler eller distributør.

Se side 7 - Bilde 9

OVERLASTVERN

Sentralstøvsugersystemet benytter funksjoner som overvåker følgende driftsnivåer: AC spenning og strømstyrke. Om spenningen er under eller over standard driftsspenning, høy strømstyrke eller låst rotor vil ikke strømenheten virke. Ved dette tilfellet vil På/Av-knappen blinke til problemet opphører, eller på LCD-modellen vil skjermen blinke. Hvis problemet vedvarer kontakt din autoriserte forhandler eller distributør. Strømenheten trenger 30 minutter for å kjøles ned.

Se side 7 - Bilde 9

DIAGNOSTIKK OG VEDLIKEHOLD

Redusert luftflyt eller sug indikerer at sentralstøvsugersystemet ikke opererer med maksimal effektivitet. Hvis smussbeholderen er full og filteret er tilstoppet kan ikke luft passere gjennom enheten og rengjøring kan ikke finne sted. Instruksjonene i denne brosjyren tjener som en veileder for rutinevedlikehold. Egnert luftflyt eller sug kan opprettholdes ved å holde smussbeholderen og filteret rent og plastrør og slange fri for tilstopninger.

TØMMING AV SMUSSBEHOLDEREN

De fleste modeller har smussbeholdere med vindu for at man umiddelbart kan se når smussbeholderen må tømmes. I de fleste tilfeller må smussbeholderen kun tømmes to til tre (2-3) ganger pr. år. Trykk på knappene på smussbeholderens håndtak for å fjerne smussbeholderen. Fjern og tøm innholdet. Sett tilbake smussbeholderen ved å feste botten til strømenheten. Forsikre at smussbeholderen er skikkelig festet for å unngå tap av sugeevne.

Se side 7 - Bilde 11

FILTERVEDLIKEHOLD

Electrolux' eksklusive filter er permanent og selvrensende. Men om du har spørsmål om ditt permanente selvrensende filter, kontakt din lokale autoriserte forhandler/distributør.

PAPIRPOSEFILTRE - VALGFRITT

Papirposen rommer 22 liter. En full støvpose reduserer systemets ytelse. Avhengig av hvor ofte du bruker ditt sentral støvsugersystem må støvposen skiftes 2-3 ganger pr. år - og kan kjøpes hos din lokale forhandler/distributør.

Instruksjoner for skifte av støvposen:

1. Fjern strømenhetens smussbeholder
2. Løsne støvposen fra inntaksslangen, fjern og avhend.
3. Plasser og trykk den nye støvposen fast i slangen. Drei støvposens åpning for å feste den skikkelig på slangen.
4. Sett tilbake smussbeholderen på sentralenheten.

OM DU OPPLIVER PROBLEMER MED DITT ELECTROLUX SENTRALSTØVSUGERSYSTEM, FØLG FORSLAGENE UNDER FØR DU RINGER ETTER SERVICE.

DELVIS/TOTALT TAP AV SUGEKRAFT

- Forsikre at smussbeholderen er riktig satt på.
- Tøm smussbeholderen.
- Fjern avfall fra filter.
- Forsikre at alle inntaksventiler er skikkelig lukket.

FJERN TILSTOPNINGER I RØR

Blokkering i slangen

Koble slangen til enhver inntaksventil. Hvis det ikke er sug i slangen etter å ha koblet den til et par forskjellige inntak er blokkeringen i slangen. For å fjerne hindringen i slangen, før inn et butt objekt i slangen (hageslange, trepinne). Du kan også prøve å reversere suget gjennom slangen for å få løs blokkeringen.

Se side 7 - Bilde 12 og 13

Om det er bare ett inntak uten normalt sug og du har sjekket at det ikke er blokkering i slangen så er blokkeringen i rørsystemet mellom den blokkerte inntaksventilen og strømenheten (se instruksjoner under).

Sett slangen i inntaksventilen hvor det ikke er noe sug og hold hånden over slangeenden. Fjern hånden raskt. Gjenta flere ganger. Om blokkeringen ikke fjernes, kontakt din nærmeste Electrolux forhandler/distributør.

STRØMENHETEN STARTER IKKE

- Sjekk for gåtte sikringer eller automatsikringer i husets sikringskap.
- Koble fra og kontroller alle vegginntak og lavspenstkoblinger for løse ledninger.
- Hvis enheten fortsatt ikke starter, kontakt din nærmeste lokale autoriserte forhandler/distributør.

STRØMENHETEN STOPPER IKKE

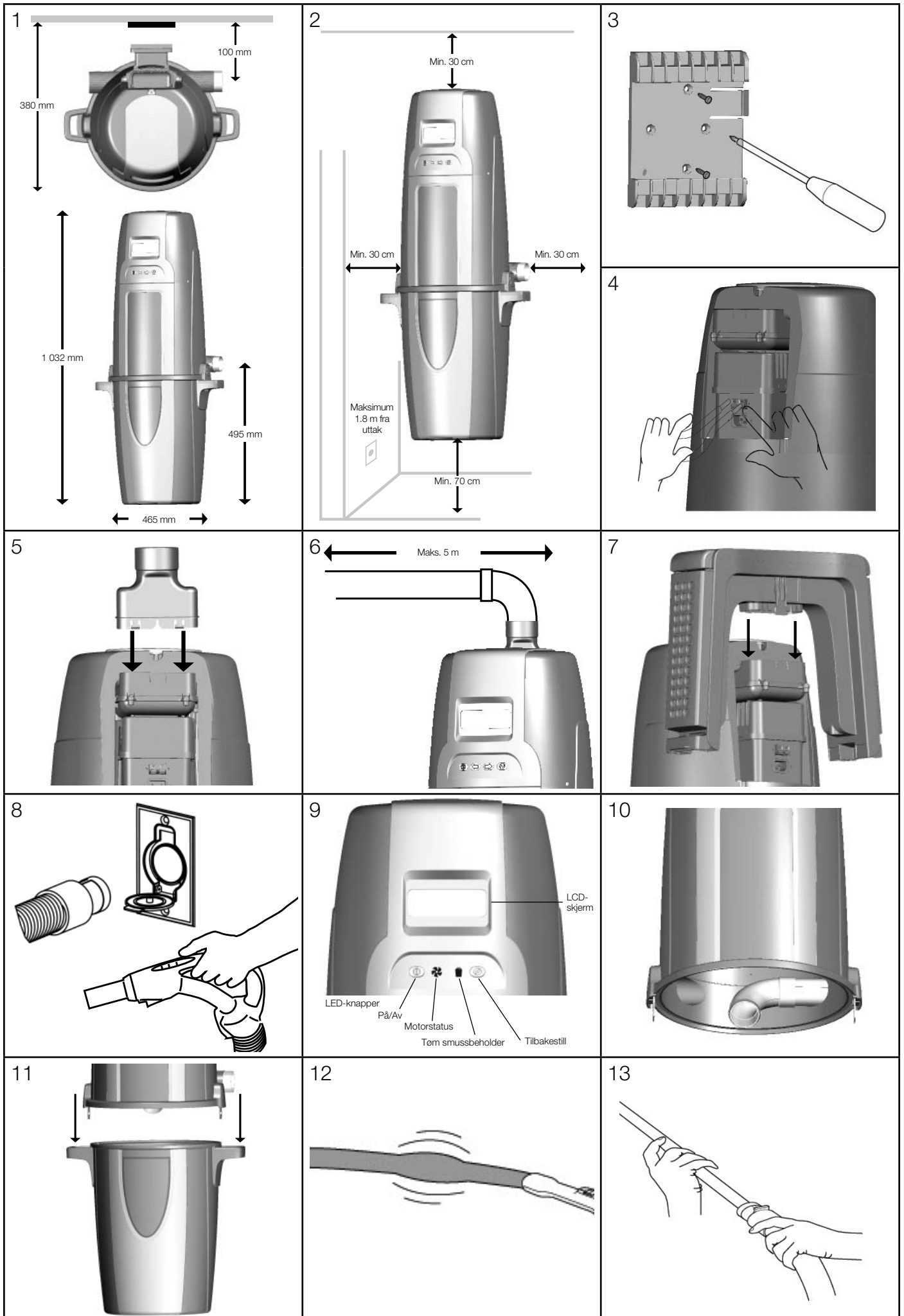
- Sjekk inne i hver inntaksventil for hindringer for lavspenktakter. Hvis det ikke oppdages noen synlige hindringer, koble fra strømmen og kontakt din nærmeste lokale autoriserte forhandler/distributør.

SENTRALSTRØMENHETEN SLÅR SEG AV SELV

- Fjern og sett deretter slangen tilbake i et inntak eller slå bryteren på slangehåndtaket av og på. Se "Overlastvern".

GARANTI

Garanti håndteres av din lokale autoriserte forhandler/distributør. Vennligst kontakt din lokale autoriserte forhandler/distributør for spørsmål angående garanti.



Belangrijke veiligheidsmaatregelen.....	2
Algemene informatie.....	3
Installatie.....	3
Systeemtest.....	4
Gebruiksaanwijzing.....	4
Led-indicaties.....	4
Lcd-scherm.....	4
Zakadapter.....	5
Polyfunctionele aansluiting.....	5
Bescherming tegen oververhitting.....	5
Bescherming tegen overbelasting.....	5
Diagnostiek en onderhoud.....	5
Filteronderhoud.....	6
Papieren zakfilter.....	6
Foutopsporing.....	6
Afbeeldingen.....	7

INHOUDSOPGAVE

Het centrale stofzuigsysteem bestaat uit de volgende items.



BELANGRIJKE VEILIGHEIDSMATREGELEN

Bij gebruik van een elektronisch apparaat, dient u altijd de gewone voorzorgsmaatregelen in acht te nemen, o.a.:

LEES ALLE INSTRUCTIES VOORDAT U DIT STOFZUIGSYSTEEM GEBRUIKT.

Deze centrale stofzuiger is bedoeld voor het verwijderen van gewoon huisstof.

WAARSCHUWING

Om het risico van brand, elektrische schokken of persoonlijk letsel te reduceren:

- Gebruik het toestel niet buitenshuis of op een nat oppervlak.
- Blokkeer de motorkap of de ventilatieopeningen en -buis aan de bovenkant van de motorunit niet. De motor zal oververhit raken indien er onvoldoende luchtstroom is.
- Plaats de motorunit niet op een plek waar het heel warm is of die ontoegankelijk is, bijvoorbeeld op zolder of in een kruipruimte.
- Monteer de motorunit op minimaal 30 cm van het plafond of een muur en op minimaal 70 cm van de grond. Bestudeer bovendien alle eventueel toepasselijke lokale codes en reglementen.
- Sta nooit toe dat het toestel als speelgoed wordt gebruikt. Let bijzonder goed op wanneer u de stofzuiger door kinderen laat gebruiken of zelf in de nabijheid van kinderen gebruikt.
- Dit apparaat is niet bedoeld voor gebruik door personen (inclusief kinderen) met beperkte fysieke, zintuiglijke of mentale capaciteiten, of met te weinig ervaring of kennis, tenzij zij, om het apparaat te gebruiken, werken onder toezicht van of instructies hebben gekregen van een voor hun veiligheid verantwoordelijke persoon.
- Gebruik uitsluitend volgens de beschrijving van deze handleiding. Gebruik alleen door de fabrikant aanbevolen hulpstukken.
- Gebruik het toestel niet met een beschadigd netsnoer of beschadigde stekker. Als de stofzuiger niet werkt zoals het hoort, gevallen of beschadigd is, buiten is blijven staan of in water is terechtgekomen, moet hij worden geretourneerd aan een lokale erkende dealer/distributeur.
- Sluit alleen aan op een correct geaard stopcontact (zie instructies voor aarding).
- Gebruik geen verlengdraad of stopcontacten met verkeerde stroomsterkte.
- Zet alle knoppen op uit voordat u de stekker uittrekt.
- Schakel de stofzuiger niet uit door aan het netsnoer te trekken. Om uit te schakelen, neemt u de stekker vast in plaats van het snoer.
- Raak de stekker of het netsnoer niet met natte handen aan.
- Plaats geen voorwerp in de openingen. Gebruik het toestel niet wanneer de openingen zijn geblokkeerd. Verwijder stof, haren of andere dingen die de luchtstroom kunnen verminderen.
- Deze stofzuiger oefent een zuigkracht uit. Houd uw haar, losse kleding, vingers en alle andere lichaamsdelen van alle openingen en bewegende onderdelen vandaan.
- Zuig nooit een brandend of rokend voorwerp op, zoals sigaretten, lucifers of warme as.
- Wees extra voorzichtig wanneer u trappen stofzuigt.
- Zuig geen ontvlambare of brandbare vloeistoffen op, zoals benzine, en gebruik de stofzuiger ook niet in ruimten waar dergelijke vloeistoffen aanwezig kunnen zijn.
- Zorg dat uw werkgebied goed verlicht is.
- Trek de stekker van elektrische toestellen uit het stopcontact voordat u ze stofzuigt.
- Indien het meegeleverde netsnoer beschadigd is, moet het vervangen worden door een speciaal snoer dat via een erkende lokale dealer/distributeur kan worden verkregen.
- Gebruik niet zonder stofzak en/of filter.

BEWAAR DEZE INSTRUCTIES

ALGEMENE INFORMATIE

De centrale stofzuiger is bedoeld voor het opzuigen van droog huishoudelijk afval en stof. Zuig er geen harde of scherpe voorwerpen mee op zodat de buizen en plastic leidingen niet beschadigd of verstopt raken.

Deze handleiding bevat de laatste stappen voor de installatie van de motorunit in uw woning. Hij verschaft eveneens de nodige informatie voor onderhoud en foutopsporing in het onwaarschijnlijke geval dat deze nodig zijn. Neem voor nadere informatie in verband met installatie of vragen over het product contact op met uw lokale erkende dealer/distributeur.

VEILIGHEIDSUITRUSTING VOOR INSTALLATIE

Voor het klaarmaken van muren en afdekkingen is het raadzaam veiligheidsuitrusting zoals een helm, handschoenen, een veiligheidsbril en oorbescherming te gebruiken.



VOORZICHTIG

Wees voorzichtig wanneer u gaten boort in een muur, vanwege de eventuele aanwezigheid van gas- en waterleidingen en elektriciteitsdraden.

Neem voor vragen over het product, de reserveonderdelen, de service, de garantie etc. contact op met uw lokale erkende dealer of distributeur.

INSTRUCTIES VOOR DE AARDING

Indien het toestel slecht werkt of defect raakt, zal de aarding zorgen voor een pad met de minste weerstand voor de elektrische stroom en aldus het risico van een elektrische schok reduceren. Dit toestel is uitgerust met een netsnoer met een aardingsgeleider en aardpen. De pen dient in een aangewezen stopcontact te steken, dat correct is geïnstalleerd en geaard krachtens alle plaatselijke codes en bepalingen.

WAARSCHUWING

Indien de aardgeleider verkeerd is aangesloten, kan dat resulteren in elektrische schok. Neem contact op met een erkend elektricien of onderhoudsmonteur indien u eraan twijfelt of de stekker juist geaard is of als de stekker niet in een stopcontact past. Breng aan de met het apparaat meegeleverde stekker geen wijzigingen aan.

WAARSCHUWING

Indien het netsnoer beschadigd is, moet het vervangen worden door een speciaal snoer dat via een erkende lokale dealer/distributeur kan worden verkregen.

SERVICEGEGEVENS

De instructies van deze handleiding zijn een leidraad voor routineonderhoud. Neem voor nadere informatie contact op met uw dichtstbijzijnde erkende dealer/distributeur.

TYPEPLAAT

Het model, type en serienummer staan op de typeplaat op het bedieningspaneel of de motorkap. Verwijs voor snelle en volledige servicegegevens altijd naar deze nummers wanneer u vragen hebt in verband met service.

WAARSCHUWING

Indien de veiligheidsvoorschriften niet in acht worden genomen, kan dat leiden tot lichamelijke letsel.

PRODUCTAFMETINGEN

Zie pagina 7 - Afbeelding 1

ELEKTRISCH EN ELEKTRONISCH AFVAL



Indien u op het product of de verpakking dit symbool aantreft, wijst dat erop dat het product of de verpakking niet als huishoudelijk afval mag worden beschouwd. In plaats daarvan dient u er naar een verzamelpunt voor te recyclen elektronische en elektrische apparatuur mee te gaan. Door dit product op de gepaste wijze weg te doen, voorkomt u mede mogelijk negatieve gevolgen voor milieu en mens, die veroorzaakt zouden kunnen worden door het verkeerde weggooien van dit product. Neem voor meer gedetailleerde informatie over dit product contact op met uw lokale afvalophaaldienst of de winkel waar u het product hebt aangeschaft.

INSTALLATIE

Uw woning is wellicht reeds uitgerust met een systeem van plastic buizen en inlaten zodat u gereed bent voor de installatie van de centrale motorunit. Is uw huis niet geschikt voor een centrale stofzuiger, dan kunt u een contract sluiten om de centrale stofzuiger van Electrolux te laten installeren door een professional, via uw lokale dealer of distributeur of u kunt het ook zelf doen.

De centrale motorunit moet zo ver mogelijk van de leefruimte worden geïnstalleerd, maar moet toegankelijk blijven zodat u de stofcontainer kunt verwijderen, bij de filter kunt en de centrale motorunit kunt inspecteren. Een plek waar het apparaat gewoonlijk wordt geplaatst, is een garage, waar u uw auto of de garage zelf kunt stofzuigen en waar de stofcontainer gemakkelijker kan worden leeggemaakt en de filter beter kan worden schoongemaakt. Andere geschikte plaatsen zijn de kelder, de wasruimte of een goed geventileerde opslagruimte.

VOORZICHTIG

Wees voorzichtig wanneer u gaten boort in een muur, vanwege de eventuele aanwezigheid van gas- en waterleidingen en elektriciteitsdraden. In metselwerk mogen alleen gaten gemaakt worden als de stabiliteit van het apparaat er niet onder lijdt. Gaten in houten staanders moeten geboord worden. Afhankelijk van het materiaal waarmee uw huis is gebouwd, moet u de passende verankering gebruiken om uw motorunit eraan te hangen. De motorunit schuift eenvoudigweg over de draaghaak en klikt op zijn plaats.

Zie pagina 7 - Afbeelding 3

- Installeer de centrale motorunit op een ver van de leefruimte verwijderde plek. De uitlaat moet gemakkelijk kunnen worden aangesloten op een ventilatiebuis. Van welk materiaal het huis gemaakt is, speelt daarbij geen rol.
- Zoek de twee laagspanningsdraden in de buurt van de hoofdleiding. Verwijder de isolatie van de laagspanningsdraden. Voer de laagspanningsdraad op in de veergeladen laagspanningsconnectors. Zorg er daarbij voor dat u aan uw lokale bouwreglement voldoet.

Zie pagina 7 - Afbeelding 4

- Zorg ervoor dat de motorunit zijn eigen stopcontact heeft.
- Gebruik het meegeleverde netsnoer om de stofzuiger op het stroomnet aan te sluiten.

Op uw Electrolux Oxygen centrale stofzuiger hoeft geen geluiddemper te worden gemonteerd. Hij is reeds voorzien van een interne geluiddemper. U kunt eventueel ook de lucht naar buiten afvoeren. In dat geval dient de uitlaatadapter te worden aangesloten. Deze past de grootte van de uitlaat aan aan de diameter van de buis van de centrale stofzuiger.

Zie pagina 7 - Afbeelding 5

- Plaats de motorunit op een dusdanige plek dat de uitlaatpijp zo kort mogelijk is. Uitlaten zouden niet langer dan 5 m mogen zijn.
- Vergeet niet dat u aan de zijkanten van de stofzuiger eventueel ruimte zult nodig hebben om bij de stofcontainer te kunnen.

Zie pagina 7 - Afbeelding 6

- Lijn de inlaafitting van de motorunit uit met de van de muur uitstekende hoofdleiding. **LIJM HET APPARAAT NIET VAST.** Bevestig de uitlaatpijp aan de uitlaat van de motor indien de lucht naar buiten wordt afgevoerd. Zorg ervoor dat de uitlaatpijp zo kort mogelijk is.

NB: Monteer de centrale motorunit op minimaal 30 cm van het plafond en een nabijgelegen muur, minimaal 70 cm van de grond en maximaal 1,8 m van een stopcontact. Raadpleeg eventueel toepasselijke lokale reglementen.

Zie pagina 7 - Afbeelding 2

WAARSCHUWING



Blokkeer de ventilatieopeningen aan de bovenzijde van de centrale motorunit niet. De motor zal oververhit raken indien er onvoldoende ventilatie is.

WAARSCHUWING



Plaats de centrale motorunit niet op een plek waar het heel warm is of die ontoegankelijk is, bijvoorbeeld op zolder of in een kruipruimte.

Voor de allerbeste luchtbeheersing is er de True HEPA-filter. Deze kan meegeleverd zijn met de door u geselecteerde motorunit of kan bij een erkend dealer/distributeur worden gekocht. Bevestig de True HEPA-filter zoals afgebeeld.

Zie pagina 7 - Afbeelding 7

SYSTEEMTEST

Zorg er daarbij voor dat u aan uw lokale bouwreglement voldoet. Sluit de stekker van het apparaat aan op een normaal stopcontact. U bent nu gereed om de installatie van de stofzuiger te controleren:

- Zorg ervoor dat de filter zoals het hoort in de motorunit zit.
- Zorg ervoor dat de stofcontainer goed aan de motorunit is bevestigd.
- Sluit de slang aan op elke inlaat om na te gaan of er overal goed elektrisch contact is.
- Controleer elke inlaat op luchtlekkage.
- Controleer elke buisaansluiting op luchtlekkage.

Zie pagina 7 - Afbeelding 8

GEBRUIKSAANWIJZING VAN DE CENTRALE STOFZUIGER

U bedient uw centrale stofzuiger via een schakelaar op de slang. Steek de slang gewoonweg in de inlaat en zet de schakelaar op aan. De centrale motorunit wordt opgestart en de lucht begint te circuleren.

Wanneer u gereed bent met stofzuigen, zet u de schakelaar uit en verwijdert u de slang uit de inlaat. Bij het ontkoppelen moet u het luikje van de inlaat enkele seconden openhouden zodat de zuigkracht kan verminderen en de dichting van de inlaat beschermd wordt.

Zie pagina 7 - Afbeelding 8

LED-INDICATIES - OPTIONEEL AFHANKELIJK VAN HET MODEL

Uw apparaat is eventueel uitgerust met een aantal of alle van de hierna opgegeven indicaties.

Zie pagina 7 - Afbeelding 9



Aan/uit



Motor defect



Stofcontainer vol



Resetten

Uw motorunit is uitgerust met een veelkleurig led-paneel. Dit led-paneel verschaft u de nodige informatie over de werking, het onderhoud en de diagnostiek van uw motorunit. Hierna volgt een beschrijving van de verschillende meldingen van de motorunit.

NORMALE WERKING

Wanneer de motorunit op OFF (uit) en in de zogenaamde stand-bymodus staat, is de led-knop ROOD.

Staat de motorunit op ON (aan) en is hij in gebruik, dan is de led GROEN. Wanneer het lampje voor defecte motor brandt, zie dan hieronder voor een verdere beschrijving. Wanneer het lampje voor de stofcontainer brandt, moet u deze leegmaken, op de knop RESET (Resetten) drukken en deze gedurende 10 seconden ingedrukt houden.

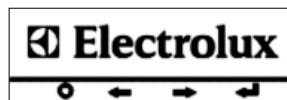
MOTOR DEFECT

In geval van een doorgeslagen zekering of ontkoppelde motordraad en indien de motorunit niet functioneert, blijven de RODE, GROENE en ORANJE lampjes constant branden.

Bij uitschakeling wegens te hoge stroomsterkte, knippert het RODE lampje van de AAN/UIT-knop, gaat het GROENE lampje snel aan en uit en wordt het lampje voor MOTOR DEFECT ORANJE en gaat het snel aan en uit. Dit defect wordt automatisch in 15 seconden gereset als de laagspanningsaansluiting UIT staat ter hoogte van de slang. In geval van een blijvende te hoge stroomsterkte en een laagspanningsaansluiting die op AAN staat ter hoogte van de slang, brandt het RODE lampje van de AAN/UIT-knop constant, knippert het GROENE lampje langzaam en knippert het lampje voor MOTOR DEFECT langzaam ORANJE.

In het onwaarschijnlijke geval van een door de motorunit ontvangen slechte frequentie, start de motorunit niet en blijft het RODE lampje van de AAN/UIT-knop constant branden. In geval van een door de motorunit ontvangen hoge lijnspanning alterneren de lampjes van de AAN/UIT-knop driemaal tussen ROOD en GROEN, gevolgd door een korte pauze, en vervolgens driemaal tussen ROOD en GROEN, gevolgd door een lange pauze, waarna de cyclus zich herhaalt. Dit gaat zo door totdat de lijnspanning terugkeert naar het correcte niveau.

LCD-SCHERM - OPTIONEEL



Zie pagina 7 - Afbeelding 8

Op het hoofdscherm van de lcd verschijnt het Electrolux-logo. Dit logo kan van de ene naar de andere kant verschuiven om te voorkomen dat het beeld in de lcd-display wordt gebrand. U krijgt het logo te zien wanneer de motorunit niet in gebruik is.

De knop die het beste uitgelijnd is met het aan/uit-symbool op het scherm, kan dienen om het apparaat te activeren. Druk op deze knop om het in of uit te schakelen. Het apparaat kan eveneens geactiveerd worden vanaf om het even welke inlaat.

Wanneer de lcd-motorunit in de stand-bymodus staat, lichten de vier witte lampjes op uw lcd-unit in volgorde op en worden zij eerst van links naar rechts en vervolgens van rechts naar links verplaatst. Dit patroon wordt constant herhaald en is een aanwijzing dat de motorunit gebruiksklaar is en goed functioneert.

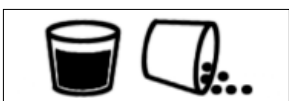
IN GEBRUIK



Wanneer de stofzuiger in gebruik is, wordt het vermogenverklikkerlampje groen. De 4 progressieve prestatiebalken verschijnen. Bij een normaal werkend apparaat moeten de 4 prestatiebalken oplichten. Indien er constant minder dan 2 balken zijn, moet u het probleem onderzoeken. Mogelijke oorzaken van de aanwezigheid van minder prestatiebalken:


1. Geblokkeerde zuiging aan het uiteinde van de slang
2. Geblokkeerde leiding in het systeem
3. Gebruik van een hulpstuk met beperkte luchtstroom, zoals een kierenzuigmond
4. Volle stofcontainer
5. Verstopt filtersysteem

LEEGMAKEN VAN STOFCONTAINER



Om de 25 uur gebruik (ongeveer 6 maanden) gaat het verklikkerlampje voor lege stofcontainer op het scherm knipperen. Dit is het sein om de stofcontainer te controleren en leeg te maken. Omdat we hier meten in tijd, kan het zijn dat de container te leeg of te vol is. Indien u huisdieren of een atelier hebt, of in geval van andere factoren die meer afval meebrengen, controleer dan de stofcontainer vaker.

Na het leegmaken van de stofcontainer, drukt u de retourknop in om de 25 uurstimers te resetten. In geval van stroomonderbreking of indien de stekker wordt uitgetrokken, onthoudt het verklikkerlampje voor lege stofcontainer de vorige status en telt hij vervolgens gewoon door.

Om het verklikkerlampje voor lege stofcontainer handmatig te resetten, druk dan gewoonweg op de knop die is uitgelijnd met het Enter-symbool en houd hem 10 seconden lang ingedrukt. 

GEbruIKSTELLER



De gebruiksteller heeft 8 balkjes. Zodra deze balkjes allemaal verdwenen zijn, blijft de stofzuiger nog wel functioneren, maar het wordt ten zeerste aanbevolen hem naar uw lokale erkende dealer/distributeur te brengen voor inspectie en onderhoud. Eén balkje komt overeen met 65 uren gebruik, wat betekent dat uw centrale stofzuiger heel lang zal meegaan. De gebruiksteller kan uitsluitend door uw onderhoudstechnicus worden gereset. In geval van stroomonderbreking of indien de stekker wordt uitgetrokken, onthoudt de gebruiksteller de vorige status en telt hij vervolgens gewoon door.

ONDERHOUDSVERKLIKKERLAMPJE



In geval van een systeemstoring of een slecht functionerende motorunit, knippert het onderhoudsverklikkerlampje. Wanneer u dit symbool ziet, raden wij u aan de motorunit uit te schakelen, de stekker gedurende 10 seconden uitgetrokken te houden en hem vervolgens opnieuw in te steken. Staat het symbool voor onderhoud nog steeds op het scherm, dan bevelen wij u aan een onderhoudstechnicus in te schakelen.

Dit symbool kan bij de volgende defecten verschijnen:

- Probleem met de motor
- Probleem met elektronica
- Probleem met spanning of stroom (te hoog of te laag)
- Motorunit reageert niet op elektronica


SCHUIVEN DOOR HET LCD-SCHERM



Wanneer de stofzuiger niet in gebruik is, kunt u door de kenmerken van uw lcd-scherm schuiven om na te gaan hoe vol de vuilcontainer is, hoe het staat met de gebruiksuren of wat het laatst gemeten stroomniveau is.

Om door deze kenmerken te schuiven, drukt u gewoonweg op de met de naar rechts wijzende pijl overeenkomende knop. 

Op het volgende scherm krijgt u dan de gebruiksteller te zien. Schuif verder naar rechts voor de status van de container. Schuif nog een beetje verder door en u vindt de laatst opgemeten prestatieniveaus van de motorunit met gebruikmaking van de prestatiemeter van het scherm in gebruik. Schuift u helemaal door naar rechts, dan krijgt u het telefoonnummer voor de klantendienst te zien.

Met de knop op gelijke hoogte met de knop om naar links te schuiven kunt u terugschuiven doorheen de schermen. 

ZAKADAPTER

In de motorunit kan een handige papieren zak worden geplaatst zodat het vuil gemakkelijker kan worden verwijderd. Zie voor onderhoud van de papieren zak, het hoofdstuk Papieren zakfilter onder Filteronderhoud.

Zie pagina 7 - Afbeelding 10

POLYFUNCTIONELE AANSLUITING

De polyfunctionele aansluiting lijkt op een inlaat, maar bevindt zich in de buurt van de motorunit. Deze aansluiting is er voor uw gemak, omdat u er vuil mee kunt opzuigen in de buurt van de centrale stofzuiger.

BESCHERMING TEGEN OVERVERHITTING

Indien de printplaat een hoge temperatuur bereikt, werkt de motorunit niet en is het ledje uitgeschakeld of knippert het scherm in geval van een lcd-model. Druk bij deze problemen op de aan/uit-knop, ontkoppel de slang of wacht totdat de temperatuur daalt. Neem contact op met uw erkend dealer of distributeur indien de problemen voortduren.

Zie pagina 7 - Afbeelding 9

BESCHERMING TEGEN OVERBELASTING

Het centrale stofzuigsysteem maakt gebruik van functies voor het opvolgen van de volgende werkingsniveaus: wisselstroomspanning en stroomstoten. Indien de spanning hoger of lager ligt dan de gewone bedrijfsspanning, in geval van hoge stroomstoten of een geblokkeerde rotor, werkt de motorunit niet. In dit geval flinkt de aan/uit-knop totdat het probleem zich niet meer voordoet of op het lcd-model knippert het scherm. Neem contact op met uw erkend dealer of distributeur indien de problemen voortduren. De motorunit heeft 30 minuten nodig om af te koelen.

Zie pagina 7 - Afbeelding 9

DIAGNOSTIEK EN ONDERHOUD

Verminderde luchtstroom of zuiging wijst erop dat het centrale stofzuigsysteem niet met maximale efficiency werkt. Als de stofcontainer vol is en de filter verstopt, kan er geen lucht door de unit en kan niet worden schoongemaakt. De instructies van deze handleiding zijn een leidraad voor routineonderhoud. U kunt goede luchtstroom of zuiging bewaren door de stofcontainer en de filter schoon te houden en de plastic buizen en slang zonder verstopping.

LEEGMAKEN VAN DE STOFCONTAINER

De meeste modellen hebben stofcontainers met raampjes zodat in één oogopslag kan worden nagegaan of de container moet worden leeggemaakt. In de meeste gevallen hoeft de stofcontainer slechts twee- tot driemaal per jaar te worden leeggemaakt. Druk op de knoppen van de hendels van de stofcontainer om deze te verwijderen. Verwijder en maak de inhoud leeg. Plaats de container terug door de emmer aan de motorunit te bevestigen. Om geen zuigkracht te verliezen, moet u controleren of de container goed is bevestigd.

Zie pagina 7 - Afbeelding 11

FILTERONDERHOUD

De exclusieve filter van Electrolux is een permanente en zelfreinigende filter. Indien u echter vragen hebt over de permanente, zelfreinigende filter, neemt u dan s.v.p. contact op met uw lokale erkende dealer of distributeur.

PAPIEREN ZAKFILTERS - OPTIONEEL

De inhoud van de papieren zak is 22 liter. Het systeem werkt minder goed met een volle stofzak. Afhankelijk van de frequentie waarmee u het centrale stofzuigstelsel gebruikt, kan het nodig zijn de stofzak twee- à driemaal per jaar te vervangen. U kunt ze bij uw lokale dealer/distributeur aanschaffen.

Instructies voor het vervangen van de stofzak:

1. Neem de stofcontainer uit de motorunit.
2. Maak de stofzak los van de inlaatbuis, verwijder hem en gooi hem weg.
3. Plaats en druk de nieuwe stofzak stevig op de buis. Draai aan de opening van de stofzak zodat hij stevig op de buis zit.
4. Plaats de stofcontainer terug in de centrale motorunit.

VOLG IN GEVAL VAN PROBLEMEN MET UW CENTRALE STOFZUIGSTEL VAN ELECTROLUX DE ONDERSTAANDE AANWIJZINGEN VOORDAT U DE HULP INROEPT VAN EEN ONDERHOUDSTECHNICUS.

GEDEELTELIJK/GEHEEL VERLIES VAN ZUIGKRACHT

- Zorg ervoor dat de stofcontainer goed geplaatst is.
- Maak de stofcontainer leeg.
- Verwijder vuil van de filter.
- Zorg ervoor dat elke inlaat goed gesloten is.

ONTSTOPPEN VAN BUIZEN

Verstopte slang

Sluit de slang aan op een inlaat. Indien er na het aansluiten geen zuigkracht is door de slang ter hoogte van enkele inlaten, dan is het de slang die verstopt is. Voer om de slang te ontstoppen een bot voorwerp op in de slang (tuinslang, houten prop). U kunt de zuigrichting door de slang eveneens proberen om te draaien om deze te ontstoppen.

Zie pagina 7 - Afbeelding 12 en 13

Indien er één inlaat is zonder normale zuiging en u gecontroleerd hebt of de slang geblokkeerd is, dan is het buizensysteem verstopt tussen de geblokkeerde inlaat en de motorunit (zie onderstaande instructies).

Plaats de slang op de inlaat zonder zuigkracht; houd uw hand over het uiteinde van de slang. Verwijder snel de hand. Herhaal dit meerdere malen. Neem contact op met uw dichtstbijzijnde dealer/distributeur van Electrolux indien het systeem verstopt blijft.

MOTORUNIT START NIET

- Ga na of er een doorgeslagen zekering of aangeslagen stroomonderbreker aanwezig is in het elektriciteitspaneel.
- Trek de stekker uit het stopcontact en controleer alle inlaten en laagspanningsaansluitingen op losse draden.
- Als het apparaat niet start, neem dan contact op met uw dichtstbijzijnde lokale erkende dealer/distributeur.

MOTORUNIT STOPT NIET

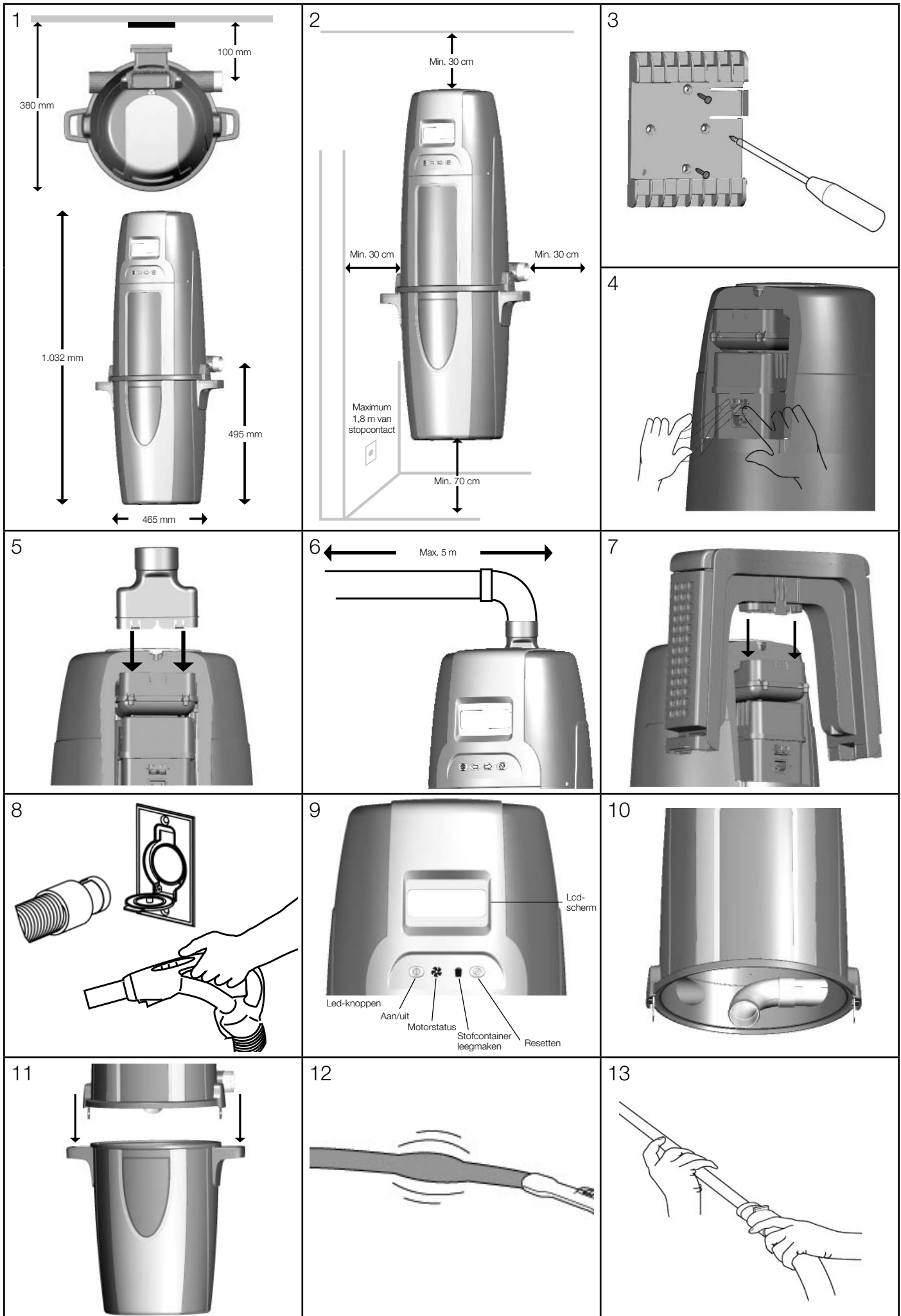
- Controleer in elke inlaat of de laagspanningscontactpunten niet geobstrueerd zijn. Indien u ziet dat deze niet geblokkeerd zijn, trek dan de stekker uit het stopcontact en neem contact op met uw dichtstbijzijnde lokale erkende dealer/distributeur.

CENTRALE MOTORUNIT WORDT VANZELF UITGESCHAKELD

- Verwijder de slang eerst en plaats deze vervolgens terug in de inlaat of schakel de schakelaar achtereenvolgens uit en in op de hendel van de slang. Zie "Bescherming tegen overbelasting".

GARANTIE

De garantieclaims worden afgehandeld door uw lokale erkende dealer/distributeur. Neem voor vragen i.v.m. garantie contact op met uw lokale erkende dealer/distributeur.



Важные предупреждения.....	2
Общие сведения	3
Установка.....	3
Проверка системы.....	4
Правила пользования	4
Показания индикаторов	4
Жидкокристаллический экран.....	4
Адаптер мешка.....	5
Дополнительный клапан.....	5
Защита от перегрева.....	5
Защита от перегрузки	5
Диагностика и обслуживание.....	5
Обслуживание фильтра.....	6
Бумажный мешок-фильтр	6
Устранение неисправностей	6
Иллюстрации	7

СОДЕРЖАНИЕ

В комплект вашей системы централизованной пылеуборки входят следующие элементы.



ВАЖНЫЕ ПРЕДУПРЕЖДЕНИЯ

При пользовании электронными приборами всегда следует соблюдать правила безопасности, в том числе:

ПРОЧИТЕ ВСЕ УКАЗАНИЯ, ПРЕЖДЕ ЧЕМ ПОЛЬЗОВАТЬСЯ ЭТОЙ СИСТЕМОЙ ПЫЛЕУБОРКИ.

Эта электрическая система централизованной пылеуборки предназначена для удаления обычной домашней пыли.

ОСТОРОЖНО

Во избежание пожара, поражения электрическим током или травм:

- Не используйте систему под открытым небом или для уборки мокрых поверхностей.
- Не перекрывайте доступ воздуха к кожуху мотора и вентиляционным отверстиям и трубопроводу в верхней части пылесоса. При недостаточном притоке воздуха для вентиляции мотор перегревается.
- Не устанавливайте пылесос в жарких или труднодоступных местах, например, на чердаке или в подполе.
- Устанавливайте пылесос минимум в 30 см от потолка или ближайшей стены и минимум в 70 см от пола. Ознакомьтесь также с местными нормами и стандартами установки электроприборов.
- Не позволяйте детям играть с пылесосом. При использовании пылесоса детьми или вблизи детей за ними необходим внимательный присмотр.
- Устройство не предназначено для использования людьми (в том числе детьми) со слабыми физическими, сенсорными или умственными способностями или с недостаточным опытом и знаниями, за исключением случаев, когда те, кто отвечает за их безопасность, присматривают за ними или обучили их пользованию устройством.
- Пользуйтесь устройством только так, как описано в настоящем руководстве. Используйте только принадлежности, рекомендуемые изготовителем.
- Не пользуйтесь пылесосом с поврежденным шнуром или вилок. Если пылесос работает не так, как следует, если его уронили, повредили, оставляли под открытым небом или уронили в воду, отправьте его местному уполномоченному дилеру/дистрибьютору.
- Подключайте только к правильно заземленной сети (см. указания по заземлению).
- Не используйте удлинители и розетки с недостаточной допустимой нагрузкой по току.
- Выключайте все регуляторы пылесоса, прежде чем отсоединить его от сети.
- Чтобы отсоединить пылесос от сети, не тяните за шнур. Для этого следует брать не за шнур, а за вилку.
- Не беритесь за вилку или шнур мокрыми руками.
- Не вставляйте в отверстия пылесоса посторонние предметы. Не пользуйтесь пылесосом с закупоренными отверстиями; своевременно очищайте его от пыли, пуха, волос и всего, что может препятствовать циркуляции воздуха.
- Пылесос обладает всасывающим действием. Следите, чтобы волосы, одежда, пальцы и все части тела находились на безопасном расстоянии от отверстий и движущихся деталей.
- Не всасывайте горячие или дымящиеся предметы, например, сигареты, спички или горячий пепел.
- Проявляйте особую осторожность при уборке на лестницах.
- Не всасывайте огнеопасные и легковоспламеняющиеся жидкости (например, бензин) и не пользуйтесь пылесосом в местах, где они могут находиться.
- Место уборки должно быть хорошо освещено.
- Прежде чем пылесосить электроприборы, отсоединяйте их от электросети.
- В случае повреждения шнура питания, входящего в комплект поставки, его следует заменить специальным шнуром, купленным у местного уполномоченного дилера/дистрибьютора.
- Не включайте пылесос со снятым мешком для пыли и/или фильтром.

СОХРАНИТЕ ЭТИ УКАЗАНИЯ

ОБЩИЕ СВЕДЕНИЯ

Система централизованной пылеуборки предназначена для сухой уборки домашней пыли и грязи. Избегайте всасывать в систему твердые или острые предметы во избежание повреждения или закупоривания шлангов и пластмассовых трубопроводов.

В настоящем руководстве описан порядок окончательной установки пылесоса в жилом помещении. В нем приведены также указания по обслуживанию и устранению неисправностей в маловероятном случае их возникновения. За более подробными сведениями об установке или с вопросами об изделии обращайтесь к своему местному уполномоченному дилеру/дистрибьютору.

СРЕДСТВА ИНДИВИДУАЛЬНОЙ ЗАЩИТЫ ДЛЯ УСТАНОВКИ

При подготовке стен и настенных клапанов рекомендуется использовать средства индивидуальной защиты: каску, перчатки, очки и наушники.



ВНИМАНИЕ



Соблюдайте осторожность при сверлении отверстий в стенах: внутри стен могут проходить газовые и водопроводные трубы и электрические провода.

Если у вас возникнут вопросы по поводу изделия, запасных частей, сервиса, гарантии и т.д., обращайтесь к своему местному уполномоченному дилеру или дистрибьютору.

УКАЗАНИЯ ПО ЗАЗЕМЛЕНИЮ

Данный электроприбор должен быть заземлен. В случае его неисправности или поломки заземление обеспечивает путь наименьшего сопротивления для электрического тока во избежание поражения людей током. Данный электроприбор имеет шнур питания с заземляющим оборудованием проводником и вилку с контактом заземления. Вилка должна подключаться к надлежащей розетке, правильно установленной и заземленной согласно всем местным нормам и стандартам.

ОСТОРОЖНО



Неправильное присоединение заземляющего оборудования проводника может привести к поражению электрическим током. Проконсультируйтесь с квалифицированным электриком или сервисным работником, если вы сомневаетесь, что розетка правильно заземлена, или если вилка не входит в розетку. Не переделывайте вилку шнура питания пылесоса.

ОСТОРОЖНО



В случае повреждения шнура питания его следует заменить специальным шнуром, купленным у вашего местного уполномоченного дилера/дистрибьютора.

СЕРВИСНАЯ ИНФОРМАЦИЯ

Указания настоящего руководства предназначены для повседневного обслуживания. За дополнительной информацией обращайтесь к ближайшему уполномоченному дилеру/дистрибьютору.

ПАСПОРТНАЯ ТАБЛИЧКА

Модель, тип и серийные номера изделия указаны на паспортной табличке, расположенной на панели управления или на кожухе мотора. Для получения своевременной и полной сервисной информации всегда указывайте эти номера, когда наводите справки об обслуживании.

ОСТОРОЖНО



Несоблюдение указаний по безопасности может привести к травмам.

РАЗМЕРЫ ИЗДЕЛИЯ

См. страницу 7 - Рисунок 1.

ПРАВИЛА УТИЛИЗАЦИИ ЭЛЕКТРИЧЕСКОГО ОБОРУДОВАНИЯ (WEEE)



Этот символ на изделии или на его упаковке означает, что изделие нельзя выбрасывать как бытовой мусор. Его необходимо сдавать в соответствующий пункт приема утилизируемых электронных и электрических приборов. Утилизировав это изделие надлежащим образом, вы помогаете предотвратить потенциальный вред для окружающей среды и здоровья людей, который может быть нанесен неправильной утилизацией. За более подробной информацией об этом изделии обращайтесь в свою местную службу утилизации мусора или в магазин, где вы приобрели изделие.

УСТАНОВКА

В вашем жилом помещении, скорее всего, уже установлена система пластмассовых труб и впускных клапанов, и все готово для установки централизованного пылесоса. Если ваше жилое помещение не подготовлено для такой системы, вы можете заказать установку системы централизованной пылеуборки Electrolux специалистом, обратившись к своему местному дилеру или дистрибьютору, или установить ее самостоятельно.

Централизованный пылесос должен быть расположен как можно дальше от жилых комнат, но в доступном месте, чтобы легко было снимать пылесборник, доставать до фильтра и осматривать пылесос. Типичным местом установки является гараж, где можно пылесосить автомобиль или гаражное помещение и удобнее опорожнять пылесборник и очищать фильтр. Для установки пылесоса могут также подходить подвальное помещение, прачечная или проветриваемая кладовая.

ВНИМАНИЕ



Соблюдайте осторожность при сверлении отверстий в стенах: внутри стен могут проходить газовые и водопроводные трубы и электрические провода. Отверстия в кирпичных или бетонных стенах разрешаются только в том случае, если не уменьшают их прочность. Отверстия в деревянных опорах должны проделываться дрелью. Для монтажа пылесоса на стене используйте крепления, соответствующие материалам, из которых построен дом. Пылесос просто надвигается на монтажную скобу и защелкивается в нужном положении.

См. страницу 7 - Рисунок 3.

- Перенесите пылесос в место, достаточно удаленное от жилых комнат. Соединение выпускного отверстия с вентиляционной трубой не должно вызвать затруднений. Это может быть сделано независимо от материала, из которого построен дом.
- Найдите два низковольтных провода около основного трубопровода. Удалите изоляцию с низковольтных проводов. Вставьте низковольтные провода в низковольтные пружинные зажимы. Соблюдайте местные электрические стандарты и нормативы.

См. страницу 7 - Рисунок 4.

- Убедитесь, что для пылесоса имеется отдельная электрическая розетка.
- Подключите систему централизованной пылеуборки (СЦП) к сети при помощи входящего в ее комплект шнура питания.

Ваша СЦП Electrolux Oxygen не требует сборки глушителя. Ваша система СЦП имеет встроенный глушитель. Однако вы, возможно, пожелаете обеспечить выпуск воздуха за пределы помещения. В этом случае вам будет необходимо присоединить выпускной адаптер. Адаптер совместит размер выпускного отверстия с диаметром трубопровода централизованного пылесоса.

См. страницу 7 - Рисунок 5.

- Размещайте пылесос таким образом, чтобы выпускной трубопровод был как можно короче. Длина выпускных трубопроводов не должна превышать 5 метров.
- Помните, что вам может быть необходимо свободное пространство по обе стороны от пылесоса для доступа к пылесборнику.

См. страницу 7 - Рисунок 6.

- Совместите впускной патрубок пылесоса с главным трубопроводом, выходящим из стены. **НЕ ИСПОЛЬЗУЙТЕ КЛЕЙ.** Если воздух необходимо выпускать за пределы помещения, прикрепите выпускной трубопровод к выпускному отверстию мотора. Старайтесь, чтобы выпускной трубопровод был как можно короче.

ПРИМЕЧАНИЕ: Устанавливайте пылесос минимум в 30 см от потолка и всех близлежащих стен, минимум в 70 см от пола и не далее чем в 1,8 м от электрической розетки. Ознакомьтесь с местными стандартами установки подобных приборов.

См. страницу 7 - Рисунок 2.

ОСТОРОЖНО

Не заслоняйте вентиляционные отверстия кожуха в верхней части пылесоса. При недостаточной вентиляции мотор перегревается.

ОСТОРОЖНО

Не устанавливайте пылесос в жарких или труднодоступных местах, например, на чердаке или в подполе.

Наилучшую очистку воздуха обеспечивает фильтр True HEPA; он может входить в комплект поставки пылесоса, либо его можно приобрести у уполномоченного дилера/дистрибьютора. Фильтр True HEPA устанавливается просто; см. рисунок.

См. страницу 7 - Рисунок 7.

ПРОВЕРКА СИСТЕМЫ

Соблюдайте местные электрические стандарты и нормативы. Подключите пылесос к обычной электрической розетке. Теперь все готово для проверки установки пылесоса:

- Убедитесь, что в пылесос правильно установлен фильтр.
- Убедитесь, что к пылесосу правильно прикреплен пылесборник.
- Вставьте шланг в каждый впускной патрубок, чтобы убедиться в правильной работе электрических контактов.
- Проверьте каждый впускной патрубок на предмет утечки воздуха.
- Проверьте каждое соединение трубопроводов на предмет утечки воздуха.

См. страницу 7 - Рисунок 8.

ПРАВИЛА ПОЛЬЗОВАНИЯ СИСТЕМОЙ ЦЕНТРАЛИЗОВАННОЙ ПЫЛЕУБОРКИ

Ваша система централизованной пылеуборки управляется переключателем на шланге. Просто вставьте шланг в патрубок и включите переключатель. Это включит пылесос и поток воздуха.

После уборки выключите переключатель на шланге и выньте шланг из впускного патрубка. Отсоединяя шланг, подержите крышку впускного патрубка открытой несколько секунд, чтобы уменьшилось всасывающее давление; это продлевает срок службы уплотнения впускного патрубка.

См. страницу 7 - Рисунок 8.

ПОКАЗАНИЯ ИНДИКАТОРОВ (В ЗАВИСИМОСТИ ОТ МОДЕЛИ)

Ваш пылесос может иметь некоторые или все индикаторы, перечисленные ниже.

См. страницу 7 - Рисунок 9.



Вкл/Выкл



Неисправность мотора



Пылесборник заполнен



Перезагрузка

Ваш пылесос имеет цветную панель индикаторов. Панель индикаторов выдает необходимую информацию о работе, обслуживании и диагностике пылесоса. Ниже описаны различные сообщения, которые выдает пылесос.

НОРМАЛЬНАЯ РАБОТА

Когда пылесос **ВЫКЛЮЧЕН** и находится в режиме ожидания, индикатор имеет **КРАСНЫЙ** цвет.

Когда пылесос **ВКЛЮЧЕН** и работает, индикатор имеет **ЗЕЛЕНый** цвет. Если горит индикатор неисправности мотора, см. более подробное описание ниже. Если горит индикатор пылесборника, опорожните пылесборник, нажмите кнопку **RESET (ПЕРЕЗАГРУЗКА)** и удерживайте ее 10 секунд.

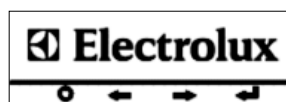
НЕИСПРАВНОСТЬ МОТОРА

Если перегорел предохранитель или отсоединен провод мотора и пылесос не работает, **КРАСНЫЙ**, **ЗЕЛЕНый** и **ОРАНЖЕВый** индикатор будут непрерывно гореть.

В случае выключения ввиду скачка напряжения **КРАСНЫЙ** индикатор кнопки **ВКЛ/ВЫКЛ** будет мигать, **ЗЕЛЕНый** индикатор будет быстро загораться и гаснуть, а индикатор **НЕИСПРАВНОСТИ МОТОРА** будет иметь **ОРАНЖЕВый** цвет и быстро загораться и гаснуть. Этот сбой будет автоматически сброшен через 15 секунд, если низковольтный контакт на шланге **ВЫКЛЮЧЕН**. В случае постоянного выключения ввиду скачка напряжения, при котором низковольтный контакт на шланге **ВКЛЮЧЕН**, **КРАСНЫЙ** индикатор кнопки **ВКЛ/ВЫКЛ** будет непрерывно гореть, **ЗЕЛЕНый** индикатор будет медленно мигать, а индикатор **НЕИСПРАВНОСТИ МОТОРА** будет медленно мигать **ОРАНЖЕВым** светом.

В маловероятном случае подачи на пылесос неправильной частоты пылесос не будет включаться, и **КРАСНЫЙ** индикатор кнопки **ВКЛ/ВЫКЛ** будет непрерывно гореть. В случае подачи на пылесос высокого напряжения от сети индикаторы кнопки **ВКЛ/ВЫКЛ** будут попеременно мигать **КРАСНЫМ** и **ЗЕЛЕНым** светом три раза - затем следует короткая пауза - затем попеременное мигание **КРАСНЫМ** и **ЗЕЛЕНым** светом три раза - затем долгая пауза - и затем этот цикл повторяется вновь. Это продолжается до восстановления правильного напряжения в сети.

ЖИДКОКРИСТАЛЛИЧЕСКИЙ ЭКРАН (НЕ ВСЕ МОДЕЛИ)



См. страницу 7 - Рисунок 8.

На главном экране жидкокристаллической панели будет виден логотип **Electrolux**. Этот логотип может перемещаться из стороны в сторону, во избежание образования постоянного отпечатка на экране. Этот логотип виден, когда пылесос не работает.

Кнопка, точнее всего совмещенная с символом электропитания на экране, может использоваться для включения пылесоса. Нажатие этой кнопки попеременно включает и выключает пылесос. Пылесос можно также включать с любого установленного приспособления.

Когда пылесос находится в режиме ожидания, четыре белых индикатора на ЖК-экране последовательно загораются сначала слева направо, затем справа налево. Эта индикация повторяется непрерывно и свидетельствует о том, что пылесос готов к работе и функционирует правильно.

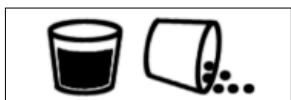
ИНДИКАЦИЯ РАБОТЫ



Когда пылесос работает, индикатор питания становится зеленым. На экране появляются 4 последовательных столбца работы. При нормальной работе пылесоса должны гореть все 4 столбца. Если регулярно горит меньше 2 столбцов, следует искать причину проблемы. Возможные причины уменьшения количества столбцов следующие:


1. Закупорен всасывающий конец шланга.
2. Закупорен трубопровод системы.
3. Используется наконечник, затрудняющий впуск воздуха - например, наконечник для очистки щелей.
4. Заполнен пылесборник.
5. Засорена система фильтрации.

ОПОРОЖНЕНИЕ ПЫЛЕСБОРНИКА



Через каждые 25 часов работы (приблизительно каждые 6 месяцев) на экране начинает мигать индикатор опорожнения пылесборника. Это говорит о том, что необходимо осмотреть и опорожнить пылесборник. Поскольку эта функция рассчитана по времени, пылесборник может оказаться слишком пустым или слишком полным. Если в доме есть домашние животные, мастерская или другие факторы, вызывающие более интенсивное появление отходов, пылесборник желателно осматривать чаще.

После опорожнения пылесборника следует нажать кнопку возврата, чтобы перезагрузить 25-часовой таймер. В случае перебоев в энергоснабжении или отключения пылесоса от сети индикатор опорожнения пылесборника сохраняет в памяти свое прежнее состояние и продолжает отсчет времени.

Для ручной перезагрузки индикатора опорожнения пылесборника следует нажать кнопку напротив символа "Ввод" и удерживать ее нажатой 10 секунд. 

СЧЕТЧИК СРОКА СЛУЖБЫ



Счетчик срока службы имеет 8 столбцов. Когда все эти столбцы погаснут, пылесос будет продолжать работать, однако настоятельно рекомендуется отвезти его к местному уполномоченному дилеру/дистрибьютору для осмотра и обслуживания. Один столбец срока службы гаснет через каждые 65 часов работы пылесоса; это означает, что ваш централизованный пылесос прослужит вам долго. Перезагрузку счетчика срока службы может производить только сервисный специалист. В случае перебоев в энергоснабжении или отключения пылесоса от сети счетчик срока службы сохраняет в памяти свое прежнее состояние и продолжает отсчет срока службы.

ИНДИКАТОР ОБСЛУЖИВАНИЯ



В случае сбоя в системе или неисправности пылесоса начнет мигать индикатор обслуживания. Если вы увидите этот символ, рекомендуется выключить пылесос, отсоединить его от сети на 10 секунд и затем вновь включить в сеть. Если символ обслуживания будет по-прежнему на экране, рекомендуется обратиться за обслуживанием.


Этот символ может появляться ввиду следующих неисправностей:

- Неисправность мотора.
- Неисправность электроники.
- Неправильное напряжение или сила тока (слишком высокие или слишком низкие).
- Пылесос не реагирует на электронные сигналы.


ПЕРЕМЕЩЕНИЕ ПО ЭКРАНУ



В нерабочем режиме можно перемещаться по экрану, чтобы просматривать состояние пылесборника, счетчик срока службы или последний записанный уровень эффективности работы.

Для перемещения по этим функциям следует нажимать кнопку, соответствующую символу со стрелкой вправо. 

После нажатия этой кнопки появится экран счетчика срока службы. Дальнейшее перемещение вправо вызывает экран состояния пылесборника. Следующее перемещение вправо позволяет просмотреть последние записанные показатели эффективности работы пылесоса; при этом используется индикатор эффективности на экране рабочего режима. Последнее нажатие кнопки для перемещения вправо выводит на экран номер телефона отдела обслуживания клиентов.

Кнопка напротив символа со стрелкой влево позволяет просматривать эти экраны в обратном порядке. 

АДАПТЕР МЕШКА

Ваш пылесос может быть оснащен бумажным мешком для более удобного выбрасывания мусора. Обращение с бумажным мешком описано в разделе "Бумажный мешок-фильтр" (подраздел "Обслуживание фильтра").

См. страницу 7 - Рисунок 10.

ДОПОЛНИТЕЛЬНЫЙ КЛАПАН

Дополнительный клапан похож на впускной клапан, но расположен рядом с корпусом пылесоса. Этот клапан предусмотрен для удобства: он позволяет убирать пыль, случайно просыпанную рядом с пылесосом.

ЗАЩИТА ОТ ПЕРЕГРЕВА

В случае перегрева электронной платы пылесос не включается и индикатор не горит (а у моделей с ЖК-экраном этот экран мигает). В таких случаях следует нажать кнопку Вкл/Выкл, отсоединить шланг или подождать, пока температура понизится. Если проблема не исчезнет, обратитесь к своему уполномоченному дилеру или дистрибьютору.

См. страницу 7 - Рисунок 9.

ЗАЩИТА ОТ ПЕРЕГРУЗКИ

Система централизованной пылеуборки имеет функции наблюдения за следующими показателями работы: напряжение сети переменного тока и потребление тока. Если напряжение в сети ниже или выше стандартного рабочего напряжения, а также при высоком потреблении тока или блокировке ротора, пылесос не будет включаться. В этом случае кнопка Вкл/Выкл будет мигать до исчезновения проблемы (а у моделей с ЖК-экраном будет мигать экран). Если проблема не исчезнет, обратитесь к своему уполномоченному дилеру или дистрибьютору. Пылесосу необходимо 30 минут, чтобы остыть.

См. страницу 7 - Рисунок 9.

ДИАГНОСТИКА И ОБСЛУЖИВАНИЕ

Ослабление потока воздуха или всасывающего давления говорит о том, что система централизованной пылеуборки работает не с максимальной эффективностью. Если заполнен пылесборник и засорен фильтр, пылесос не будет пропускать воздух и всасывать пыль. Указания настоящего руководства предназначены для повседневного обслуживания. Чтобы сохранять надлежащую циркуляцию воздуха и всасывание, необходимо следить, чтобы пылесборник и фильтр были чистыми и чтобы не были засорены пластмассовые трубопроводы и шланг.

ОПОРОЖНЕНИЕ ПЫЛЕСБОРНИКА

У большинства моделей пылесборники имеют окошки, чтобы была видна степень их заполненности. В большинстве случаев пылесборник достаточно опорожнять всего 2-3 (два-три) раза в год. Чтобы снять пылесборник, нажмите кнопки на его рукоятках. Снимите пылесборник и удалите его содержимое. Затем установите пылесборник на место и прикрепите его к пылесосу. Во избежание уменьшения силы всасывания проследите, чтобы пылесборник был надежно прикреплен.

См. страницу 7 - Рисунок 11.

ОБСЛУЖИВАНИЕ ФИЛЬТРА

Фирменный фильтр Electrolux является постоянным и самоочищающимся. Однако если у вас возникнут вопросы по поводу вашего постоянного самоочищающегося фильтра, обратитесь к своему местному уполномоченному дилеру/дистрибьютору.

БУМАЖНЫЕ МЕШКИ-ФИЛЬТРЫ (ФАКУЛЬТАТИВНЫЕ)

Объем бумажного мешка составляет 22 литра. Заполненный пылевой мешок снижает производительность системы. В зависимости от того, как часто вы пользуетесь системой централизованной пылеуборки, пылевой мешок может требовать замены 2-3 раза в год; их можно приобрести у местного дилера/дистрибьютора.

Указания по замене пылевого мешка:

1. Снимите пылесборник пылесоса.
2. Отсоедините пылевой мешок от впускного патрубка, затем выньте и выбросьте мешок.
3. Установите на место новый пылевой мешок и плотно наденьте его на патрубок. Поверните отверстие пылевого мешка, чтобы плотно закрепить его на патрубке.
4. Установите пылеприемник на пылесос.

ЕСЛИ У ВАС ВОЗНИКНУТ ЗАТРУДНЕНИЯ С ВАШЕЙ СИСТЕМОЙ ЦЕНТРАЛИЗОВАННОЙ ПЫЛЕУБОРКИ ELECTROLUX, СЛЕДУЙТЕ ПРИВЕДЕННЫМ НИЖЕ УКАЗАНИЯМ, ПРЕЖДЕ ЧЕМ ОБРАЩАТЬСЯ ЗА РЕМОНТОМ.

ЧАСТИЧНАЯ/ПОЛНАЯ ПОТЕРЯ ВСАСЫВАЮЩЕЙ МОЩНОСТИ

- Убедитесь, что правильно установлен пылеприемник.
- Опорожните пылеприемник.
- Удалите мусор из фильтра.
- Убедитесь, что все впускные патрубки должным образом закрыты.

УСТРАНЕНИЕ ЗАКУПОРКИ ТРУБОПРОВОДОВ

Закупорка шланга

Вставьте шланг в любой впускной патрубок. Если шланг не всасывает после его присоединения к нескольким впускным патрубкам, это означает, что шланг закупорен. Чтобы прочистить шланг, вставьте в него тупой инструмент (садовый шланг, деревянный штырь). Можно также попытаться удалить препятствие, пропустив воздух по шлангу в обратном направлении.

См. страницу 7 - Рисунки 12 и 13.

Если всасывания не происходит только через один впускной патрубок, и вы проверили шланг на предмет закупорки, это означает, что закупорена система трубопроводов между не всасывающим впускным патрубком и пылесосом (см. указания ниже).

Вставьте шланг во впускной патрубок, который не всасывает; закройте конец шланга рукой. Быстро уберите руку. Повторите несколько раз. Если препятствие не исчезнет, обратитесь к ближайшему дилеру/дистрибьютору Electrolux.

ПЫЛЕСОС НЕ ВКЛЮЧАЕТСЯ

- Проверьте, не перегорел ли предохранитель или не сработал ли размыкатель цепи на главном распределительном щите жилого помещения.
- Отключите пылесос от сети и проверьте надежность всех контактов в стенной розетке и низковольтных соединениях.
- Если пылесос по-прежнему не включается, обратитесь к ближайшему местному уполномоченному дилеру/дистрибьютору.

ПЫЛЕСОС НЕ ВЫКЛЮЧАЕТСЯ

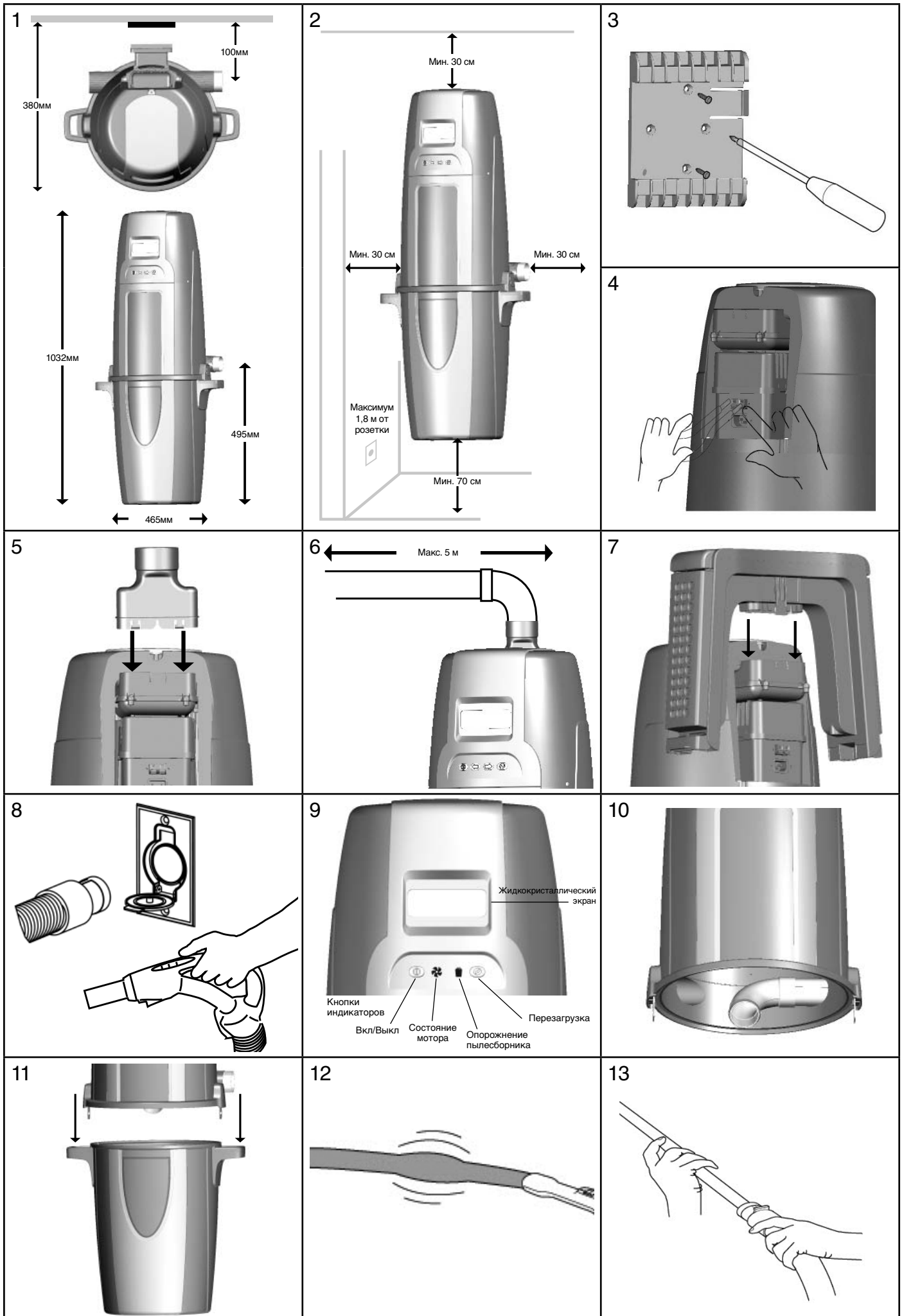
- Проверьте внутреннюю часть каждого впускного патрубка - не заблокированы ли низковольтные контакты. Если визуальный осмотр не обнаружил помех в контактах, отключите пылесос от сети и обратитесь к ближайшему местному уполномоченному дилеру/дистрибьютору.

ПЫЛЕСОС ВЫКЛЮЧАЕТСЯ САМОПРОИЗВОЛЬНО

- Выньте и вновь вставьте шланг во впускной патрубок или несколько раз включите и выключите переключатель на рукоятке шланга. См. "Защита от перегрузки".

ГАРАНТИЯ

Вопросами гарантии занимается ваш местный уполномоченный дилер/дистрибьютор. По поводу гарантии обращайтесь к своему местному уполномоченному дилеру/дистрибьютору.



Tärkeitä turvaohjeita.....	2
Yleistiedot.....	3
Asennus.....	3
Järjestelmän testaus.....	4
Näin käytät.....	4
LED-merkkivalot.....	4
LCD-näyttö.....	4
Pussin sovitin.....	5
Apuimaukko.....	5
Ylikuumenemissuoja.....	5
Ylikuormitusuoja.....	5
Diagnostiikka ja huolto.....	5
Suodattimen huolto.....	6
Pölypussin suodatin.....	6
Vianetsintä.....	6
Kuvia.....	7

SISÄLTÖ

Keskuspölynimurin järjestelmäpaketti sisältää seuraavat osat.



TÄRKEITÄ TURVAOHJEITA

Sähkölaitteiden käytössä on aina oltava varovainen ja huomioitava mm. seuraavat asiat:

LUE KAIKKI OHJEET ENNEN KESKUSPÖLYNIMURIN KÄYTTÖÄ.

Tämä keskuspölynimuri on tarkoitettu kotitaloudessa syntyvän normaalin pölyn imurointiin.

VAROITUS

Noudata seuraavia ohjeita tulipalon, sähköiskun ja loukkaantumisen vaaran vähentämiseksi:

- Älä käytä pölynimuria ulkona tai märissä tiloissa.
- Älä peitä moottorin kantta tai keskusyksikön päällä olevia tuuletusaukkoja ja ilmareittejä. Puutteellinen tuuletusilman virtaus aiheuttaa moottorin ylikuumenemisen.
- Älä sijoita keskusyksikköä liian kuumaan tai vaikeasti päästävään paikkaan, esimerkiksi ullakolle tai välikaton ryömintätilaan.
- Asenna keskusyksikkö vähintään 30 cm etäisyydelle katosta tai sivuseinästä ja vähintään 70 cm etäisyydelle lattiasta. Tutustu myös kaikkiin paikallisiin määräyksiin ja säännöksiin.
- Älä käytä keskuspölynimuria leikkikaluna. Jos lapsia on lähellä, noudata käytössä erityistä varovaisuutta.
- Tätä kodinkonetta ei ole suunniteltu sellaisten henkilöiden (lapset mukaan lukien) käyttöön, joiden fyysiset, aistilliset tai älylliset toiminnot ovat heikentyneet tai joilla ei ole riittävää käytännön kokemusta ja tietoa, ellei heidän turvallisuudestaan vastuussa oleva henkilö ole valvonut tai opettanut heitä kodinkoneen käytössä.
- Käytä pölynimuria vain tässä käsikirjassa annettujen ohjeiden mukaisesti. Käytä vain valmistajan suosittelemia kiinnitystarvikkeita.
- Älä käytä pölynimuria, jos virtajohto tai pistoke on vahingoittunut. Jos pölynimuri ei toimi odotetulla tavalla, se on pudonnut, vahingoittunut, jäänyt ulos tai uponnut veteen, palauta se paikalliselle jälleenmyyjälle tai maahantuojalle.

- Kytke vain asianmukaisesti maadoitettuun pistorasiaan (katso maadoitusohjeita).
- Älä käytä jatkojohtoja tai pistorasioita, jos niiden virtakapasiteetti ei ole riittävä.
- Kytke kaikki ohjaimet pois päältä ennen virtajohdon irrottamista pistorasiasta.
- Älä irrota pistorasiasta virtajohtoa vetämällä. Tartu kiinni pistokkeesta, älä johdosta.
- Älä käsittele pistoketta tai virtajohtoa märillä käsillä.
- Älä työnnä mitään esineitä aukkoihin. Älä käytä pölynimuria, jos jokin aukko on tukossa; pidä puhtaana pölystä, nukasta, hiuksista ja muista ilmanvirtausta rajoittavista aineksista.
- Tämä pölynimuri muodostaa imun. Pidä hiukset, vaatteiden helmat, sormet ja muut ruumiinosat poissa aukoista ja liikkuvista osista.
- Älä imuroi mitään sellaista, joka palaa tai savuaa, kuten savukkeet, tulitikut tai kuuma tuhka.
- Ole erityisen varovainen portaiden imuroinnissa.
- Älä imuroi helposti syttyviä tai tulenarkoja nesteitä, kuten bensiini, äläkä käytä imuria sellaisella alueella, jossa näitä aineita voi esiintyä.
- Pidä työalue hyvin valaistuna.
- Irrota sähkölaitteet pistorasiasta ennen niiden imuroimista.
- Jos imurin mukana toimitettu virtajohto vahingoittuu, se on vaihdettava uuteen erikoisjohtoon, joita saa valtuutetulta jälleenmyyjältä tai maahantuojalta.
- Älä käytä imuria ilman pölypussia ja/tai paikalleen asennettua suodatinta.

PIDÄ NÄMÄ OHJEET TALLESSA

YLEISTIEDOT

Keskuspölynimuri on suunniteltu kotitalouksien liian ja pölyn imuroimiseen. Vältä imuroimasta kovia tai teräviä esineitä, jotta estät letkujen ja muoviputkien vahingoittumisen tai tukkeutumisen.

Tämä käsikirja esittelee keskusyksikön asennuksen viimeistelyvaiheet talon sisällä. Lisäksi annetaan tarpeellista tietoa järjestelmän huoltoon ja vianetsintää varten, tosin vikojen esiintyminen on hyvin epätodennäköisiä. Jos tarvitset lisätietoja asennuksesta tai itse tuotteesta, ota yhteys paikalliseen jälleenmyyjään tai maahantuajaan.

ASENNUKSEN TURVAVARUSTEET

Seinä- ja katevalmisteluissa suosittelemme käytettävään henkilökohtaisia suojavarusteita, kuten kypärä, käsineet, suojalasit ja kuulosuojaimet.



HUOMAUTUS



Ole varovainen poratessasi reikiä seiniin, ettet osu kaasuputkeen, vesiputkeen tai sähköjohtoon.

Jos sinulla on kysyttävää tuotteesta, varaosista, huollosta, takuusta tai muusta asiasta, ota yhteys paikalliseen jälleenmyyjään tai maahantuajaan.

MAADOITUSOHJEET

Jos laitteeseen tulee vika tai se vahingoittuu, maadoitus johtaa sähkövirran pienimmän vastuksen mukaista reittiä ja vähentää sähköiskun vaaraa. Tämä kodinkone on varustettu virtajohdolla, jossa on suojamaadoitusjohdin ja maadoituspistoke. Pistoke on kytkettävä asianmukaiseen pistorasiaan, joka on asennettu ja maadoitettu kaikkien paikallisten määräysten ja ohjeiden mukaisesti.

VAROITUS

Suojamaadoitusjohtimen kytkeminen väärin voi aiheuttaa sähköiskun. Jos et ole varma pistorasian asianmukaisesta maadoituksesta tai jos pistoke ei sovi pistorasiaan, pyydä sähköasentajaa tai huoltohenkilöä tarkistamaan ja korjaamaan asia. Älä muuta kodinkoneen mukana toimitettua pistoketta.

VAROITUS

Jos virtajohto vahingoittuu, se on vaihdettava uuteen erikoisjohtoon, joita saa valtuutetulta jälleenmyyjältä tai maahantuojalta.

HUOLTOTIEDOT

Tässä kirjasessa annetut ohjeet koskevat kodinkoneen säännöllistä huoltoa. Lisätietoja saat lähimmältä valtuutetulta jälleenmyyjältä tai maahantuojalta.

TYYPPIKILPI

Kodinkoneen mallin, tyypin ja sarjanumeron ilmoittava tyyppikilpi sijaitsee ohjauspaneelissa tai moottorin kannessa. Saadaksesi täsmällistä ja täydellistä huoltotietoa ilmoita aina nämä numerotiedot, kun esität huoltoa koskevia kysymyksiä.

VAROITUS

Turvaohjeiden laiminlyönti voi aiheuttaa ruumiinvammoja.

TUOTTEEN MITAT

Katso kuvaa 1 sivulla 7

SÄHKÖ- JA ELEKTRONIIKKALAITTEIDEN ROMUJÄTE (WEEE)



Tämä symboli tuotteessa tai sen pakkauksessa ilmoittaa, että tuotetta ei saa käsitellä kotitalousjätteenä. Sen sijaan tuote on toimittava sähkö- ja elektroniikkaromun kierrätyspisteeseen. Kun hävität tuotteen asianmukaisella tavalla, autat osaltasi estämään haitallisia vaikutuksia ympäristölle ja ihmisille tuotteen väärän jätteenkäsittelyn seurauksena. Jos haluat lisätietoja tästä tuotteesta, ota yhteys paikalliseen jätehuolto-yhtiöön tai liikkeeseen, josta ostit tämän tuotteen.

ASENNUS

On hyvin todennäköistä, että kotiisi on jo asennettu muoviputket ja imuaukot, joten keskusyksikkö on valmis asennusta varten. Jos kodissasi ei vielä ole keskuspölynimurin valmiuksia, voit tilata Electrolux-keskuspölynimurin asennuksen ammattilaiselta ottamalla yhteyttä paikalliseen jälleenmyyjään tai maahantuajaan tai voit myös toteuttaa sen itse.

Keskusyksikkö on sijoitettava mahdollisimman kauas yleisistä oleskelutiloista, mutta helposti päästävään paikkaan, jossa voit poistaa likasäiliön, vaihtaa suodattimen ja tarkastaa keskusyksikön. Tyypillinen sijoituspaikka voisi olla autotalli, jossa voit myös imuroida autosi ja tallin tilat sekä tyhjentää kätevästi likasäiliön ja puhdistaa suodattimen. Muita sopivia paikkoja ovat kellari, kodinhoitohuone tai tuuletettava varasto.

HUOMAUTUS

Ole varovainen poratessasi reikiä seiniin, ettet osu kaasuputkeen, vesiputkeen tai sähköjohtoon. Reiät kiviseinän läpi ovat sallittuja vain, jos ne eivät heikennä seinän kantavuutta. Puukoolinkiin tehtävät reiät on porattava. Talosi rakennusmateriaalista riippuen käytä sopivia ankkuripultteja keskusyksikön ripustamiseen. Keskusyksikkö voidaan vain laskea liukumalla seinätelineeseen ja se naksauttaa paikalleen.

Katso kuvaa 3 sivulla 7

- Sijoita keskusyksikkö jonnekin muualle kuin yleisiin oleskelutiloihin. Poistoputken tulee olla helposti kiinnitettävissä tuuletusputkeen. Se voidaan tehdä talon rakennusmateriaalista riippumatta.
- Sijoita kaksi heikkovirtajohdinta pääputken lähelle. Kuori eriste pois heikkovirtajohdinten päistä. Työnnä heikkovirtajohdinten päät jousitoimisiin heikkovirtaliittimiin. Toimi paikallisten sähköasennusohjeiden ja säännösten mukaisesti.

Katso kuvaa 4 sivulla 7

- Varmista, että lähellä on sähköpistorasia keskusyksikköä varten.
- Kytke keskuspölynimuri pistorasiaan mukana toimitetun virtajohdon avulla.

Electrolux Oxygen -keskuspölynimuri ei vaadi äänenvaimentimen asentamista. Äänenvaimennin on sisäänasennettuna keskuspölynimurissa. Sen sijaan voit haluta poistoilman puhalluksen ulos. Sitä varten tarvitaan ulospuhallusputken sovituskappale. Se toimii halkaisijaltaan erikokoisten poistoputken ja keskusimuputken välisenä sovituskappaleena.

Katso kuvaa 5 sivulla 7

- Sijoita keskusyksikkö niin, että poistoputki jää mahdollisimman lyhyeksi. Poistoputket eivät saa olla pidempiä kuin 5 metriä.
- Pidä mielessäsi, että saatat tarvita tilaa keskusyksikön molemmin puolin likasäiliön käsittelyä varten.

Katso kuvaa 6 sivulla 7

- Kohdista keskusyksikön imuliitin samaan linjaan seinästä tulevan runkoputken kanssa. **ÄLÄ KÄYTÄ LIIMAA.** Kiinnitä ulospuhallusputki moottorin poistoputkeen, jos ohjaat poistoilman ulos. Varmista, että ulospuhallusputki on mahdollisimman lyhyt.

HUOMAUTUS: Asenna keskusyksikkö vähintään 30 cm etäisyydelle katosta ja sivuseinästä, vähintään 70 cm etäisyydelle lattiasta ja enintään 1,8 metrin etäisyydelle sähköpistorasiasta. Tutustu kaikkiin paikallisiin säännöksiin.

Katso kuvaa 2 sivulla 7

VAROITUS

Älä tuki keskusyksikön päällä olevan kannen tuuletusaukkoja.. Puutteellinen tuuletus aiheuttaa moottorin ylikuumentumisen.

VAROITUS

Älä sijoita keskusyksikköä liian kuumaan tai vaikeasti päästävään paikkaan, esimerkiksi ullakolle tai välikaton ryömintätilaan.

True HEPA -suodatin varmistaa parhaan mahdollisen ilmanohjauksen. Tämä suodatin voi kuulua vakiovarusteena hankkimaasi keskusyksikköön tai voit ostaa sen erikseen valtuutetulta jälleenmyyjältä tai maahantuojalta. Kiinnitä True HEPA-suodatin kuvan esittämällä tavalla.

Katso kuvaa 7 sivulla 7

JÄRJESTELMÄN TESTAUS

Toimi paikallisten sähköasennusohjeiden ja säännösten mukaisesti. Kytke yksikkö normaaliin sähköpistorasiaan. Nyt voit tarkistaa keskusyksikön asennuksen:

- Varmista, että suodatin on asennettu oikein keskusyksikköön.
- Varmista, että likasäiliö on asianmukaisesti kiinni ja paikallaan keskusyksikössä.
- Kiinnitä letku kuhunkin imurasiaan ja varmista, että sähkölaitteet toimivat asianmukaisesti.
- Tarkista, että imurasioiden venttileissä ei esiinny ilmavuotoja.
- Tarkista kaikki putkilitokset, ettei niissä esiinny ilmavuotoja.

Katso kuvaa 8 sivulla 7

NÄIN KÄYTÄT KESKUSPÖLYNIMURIA

Keskuspölynimuria ohjataan letkussa olevalla kytkimellä. Työnnä letkun pää imurasiaan ja käännä kytkin päälle. Keskusyksikkö ja ilmanvirtaus käynnistyvät.

Kun olet valmis, käännä letkussa oleva kytkin pois päältä ja irrota letku imurasiasta. Kun irrotat letkua, pidä imurasiasta kantta muutaman sekunnin ajan auki antaaksesi imun heikentyä, mikä suojaa imuventtiiliin tiivisteitä.

Katso kuvaa 8 sivulla 7

LED-MERKKIVALOT - LISÄVARUSTE MALLISTA RIIPPUA

Mallista riippuen kodinkoneessasi voi olla seuraavia merkkivaloja tai ne kaikki.

Katso kuvaa 9 sivulla 7



Päällä/Pois



Moottorivika



Likasäiliö täynnä



Resetointi

Keskusyksikössä on monivärinen LED-paneeli. LED-paneelin kautta saa tarvittavaa tietoa keskusyksikön suorituskehystä, huollosta ja diagnostiikasta. Alla esitetään kuvaukset keskusyksikön viesteistä.

NORMAALIKÄYTTÖ

Kun keskusyksikkö on pois päältä ja valmiustilassa, LED-painikkeessa palaa PUNAINEN valo.

Kun keskusyksikkö on päällä ja käytössä, LED-valo on VIHREÄ. Kun moottorivikaa ilmaiseva merkkivalo palaa, katso alla olevia ohjeita. Kun likasäiliön merkkivalo palaa, tyhjennä likasäiliö ja paina RESETOINTI-painiketta kymmenen sekunnin ajan.

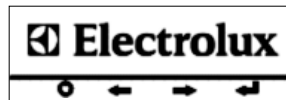
MOOTTORIVIKA

Jos sulake palaa tai moottorin virtajohto irtoaa, keskusyksikkö ei ole enää toiminnassa. Tällöin PUNAINEN, VIHREÄ ja KULLANRUSKEAN merkkivalo palavat yhtäjaksoisesti.

Jos sähköjärjestelmässä tapahtuu ylivirtakatkaisu, PÄÄLLÄ/POIS-painikkeen PUNAINEN merkkivalo vilkkuu, VIHREÄ merkkivalo syttyy ja sammuu nopeaan tahtiin MOOTTORIVIKA-merkkivalo syttyy ja sammuu nopeaan tahtiin KULLANRUSKEAN väriseen. Tämä vika korjautuu automaattisesti 15 sekunnin kuluttua, jos letkun heikkovirtakytkentä on POIS. Mikäli ylivirtakatkaisu jatkuu ja letkun heikkovirtakytkentä pysyy PÄÄLLÄ, letkussa olevan kytkimen PÄÄLLÄ/POIS-painikkeessa palaa jatkuva PUNAINEN valo, VIHREÄ merkkivalo vilkkuu hitaasti ja MOOTTORIVIKA-merkkivalossa vilkkuu hitaaseen tahtiin KULLANRUSKEA valo.

Siinä todennäköisessä tapauksessa, että keskusyksikköön syötettävän virran taajuus ei ole asianmukainen, keskusyksikkö ei käynnisty ja PÄÄLLÄ/POIS-painikkeessa palaa edelleen jatkuva PUNAINEN valo. Mikäli keskusyksikön syöttöjännite on korkea, PÄÄLLÄ/POIS-painikkeessa vilkkuu PUNAINEN ja VIHREÄ valo vuorotellen kolme kertaa – sitten lyhyt tauko – uudelleen PUNAINEN ja VIHREÄ valo vuorotellen kolme kertaa – sitten pitkä tauko – ja tämä toistuu. Tämä jatkuu, kunnes syöttöjännite palaa oikealle tasolle.

LCD-NÄYTTÖ - LISÄVARUSTE



Katso kuvaa 8 sivulla 7

LCD-alkunäyttöön tulee Electroluxin logo. Tämä logo saattaa liikehtiä sivusuunnassa LCD-näytön jähmettymisen estämiseksi. Näet tämän logon, kun keskusyksikkö ei ole käytössä.

Keskusyksikkö voidaan käynnistää painamalla painiketta, joka sijaitsee näytöllä olevan virtasymbolin kohdalla. Paina tätä painiketta kytkäksesi keskusyksikön päälle/pois päältä. Yksikkö voidaan käynnistää myös muusta asennetusta sisääntulosta.

Kun keskusyksikkö on valmiustilassa, LCD-näytön neljä valkoista merkkivaloa syttyvät järjestyksessä vuorotellen vasemmalta oikealle ja oikealta vasemmalle. Tämä kuvio toistuu kaiken aikaa merkiksi siitä, että keskusyksikkö on käyttövalmiina ja toimii oikein.

KÄYTÖSSÄ



Kun keskuspölynimuri on käytössä, virtamerkkivalo palaa vihreänä. Näytöllä on neljä suoritusstapaa. Kun keskusyksikkö toimii normaalisti, kaikkien neljän suoritusstapain tulee palaa. Jos jatkuvasti palaa vain yksi palkki tai ei yhtään, tarkasta ongelman syy. Jos suoritusstapain on liian vähän, mahdollisia syitä voivat olla:


1. Letkun imureitti tukossa
2. Tukos putkistossa
3. Käytettävän suulakkeen kuten esim. rakosuulakkeen ilmavirtaus on rajoitettu
4. Likasäiliö on täynnä
5. Suodatin on tukossa

TYHJENNÄ LIKASÄILIÖ



Jokaisen 25 käyttötunnin välein (noin puolivuositain) näytöllä alkaa vilkkua likasäiliön tyhjentämistä kehoittava merkkivalo. Silloin likasäiliö on tarkistettava ja tyhjennettävä. Koska tämä kehoitus perustuu aikaan, likasäiliö voi todellisuudessa olla joko liian tyhjä tai liian täynnä. Jos sinulla on eläimiä tai teet kotona runsaasti pölyä synnyttäviä askareita, likasäiliö on syytä tarkistaa vieläkin useammin.

Kun olet tyhjentänyt likasäiliön, paina resetointipainiketta 25 tunnin ajastimen nollaamiseksi. Jos esiintyy virtakatkos tai virtajohto irrotetaan pistorasiasta, likasäiliön merkkivalon muistitieto säilyy tallessa ja käyttöajan laskenta jatkuu virransyötön palautuessa.

Mikäli haluat nollata manuaalisesti likasäiliön tyhjentämistä kehoittavan merkkivalon ajastimen, paina Syötä-symbolin kohdalla olevaa painiketta 10 sekunnin ajan. 

KÄYTTÖAIKAMITTARI



Käyttöaikamittarissa on kahdeksan palkkia. Kun nämä käyttöaikaa ilmaisevat palkit poistuvat, keskusyksikkö toimii edelleen, mutta suosittelemme, että tilaat valtuutetun jälleenmyyjän/maahantuojan tarkastamaan ja huoltamaan järjestelmän. Yksi käyttöaikapalkki poistuu imurin jokaisen 65 tunnin käytön jälkeen tarkoittaen, että keskuspölynimurissa on vielä paljon käyttöaikaa jäljellä. Käyttöaikamittarin voi uudelleenasettaa vain valtuutettu huoltohenkilö. Jos esiintyy virtakatkos tai virtajohto irrotetaan pistorasiasta, käyttöaikamittarin laskemaika säilyy muistissa ja käyttöajan laskenta jatkuu virransyötön palautuessa.

HUOLTOILMAISIN



Jos järjestelmässä esiintyy vika tai keskusyksikössä on häiriö, huoltoilmaisिन alkaa vilkkua. Kun havaitset tämän symbolin, suosittelemme, että sammutat keskusyksikön, irrotat virtajohdon pistorasiasta 10 sekunnin ajaksi ja kytket virtajohdon takaisin pistorasiaan. Jos näytöllä on edelleenkin huoltoilmaisिन, suosittelemme huollattamaan järjestelmän.


Tämä symboli voi esiintyä seuraavien vikojen seurauksena:

- Moottorihäiriö
- Elektroninen vika
- Jännite- tai virtahäiriö (liian korkea tai liian matala)
- Virtalähde ei reagoi elektroniikkajärjestelmään

LCD-NÄYTÖN SELAUS



Kun keskusyksikkö ei ole käytössä, voit selata LCD-näytön sisältöä ja tarkistaa likasäiliön tilan, lasketun käyttöajan ja viimeksi tallentuneen tehotason.

Voit selata näyttökohteita painamalla vastaavan oikealle osoittavan nuolisymbolin kohdalla olevaa painiketta. 

Seuraava näyttö on käyttöaikamittari. Selaa eteenpäin ja näytölle tulee likasäiliön tila. Kun selaat vielä eteenpäin, näytölle tulee keskusyksikön viimeksi tallentamat tehotasot suoritusstapain mukaisesti. Viimeinen selattava näyttökohte on asiakaspalvelun puhelinnumero.

Vasemmanpuoleisen selausymbolin kohdalla olevan painikkeen avulla voi selata näyttökohteita taaksepäin. 

PUSSIN SOVITIN

Halutessasi voi asentaa keskusyksikkösi käytännöllisen pölypussin pölyn ja lian keräämistä ja hävittämistä varten. Katso paperipussin käyttöä koskevat tiedot suodattimen huoltoa käsittelevän osan kohdasta Pölypussin suodatin.

Katso kuvaa 10 sivulla 7

APUIMUAUKKO

Apuimaukko on samanlainen kuin imurasia, mutta se sijaitsee keskusyksikön vieressä. Tämän venttiilin avulla voit kätevästi puhdistaa keskusyksikön huollon tai likasäiliön tyhjennyksen yhteydessä yli valuneen lian ja roiskuneen pölyn.

YLIKUUMENEMISSUOJA

Jos piirilevyn lämpötila kohoaa liikaa, keskusyksikön toiminta lakkaa ja LED-valo sammuu tai LCD-näytöllä varustetussa mallissa näyttö alkaa vilkkua. Kun tämä tapahtuu, paina PÄÄLLÄ/POIS-painiketta, irrota letku imurasiasta ja odota jäähtymistä. Jos ongelma toistuu, ota yhteys valtuutettuun jälleenmyyjään tai maahantuojaan.

Katso kuvaa 9 sivulla 7

YLIKUORMITUSSUOJA

Keskuspölynimurissa on toimintoja, jotka tarkkailevat seuraavia kohteita: AC-jännite ja virrankulutus. Jos jännite on sallitun käyttöjännitealueen ulkopuolella, virrankulutus liian suuri tai roottori jumissa, keskusyksikkö ei toimi. Tällöin PÄÄLLÄ/POIS-painike vilkkuu, kunnes ongelma poistuu tai LCD-näytöllä varustetuissa malleissa näyttö vilkkuu. Jos ongelma toistuu, ota yhteys valtuutettuun jälleenmyyjään tai maahantuojaan. Keskusyksikön jäähtymisen kestää noin 30 minuuttia.

Katso kuvaa 9 sivulla 7

DIAGNOSTIIKKA JA HUOLTO

Heikentynyt ilmavirtaus tai imuteho on merkki siitä, että keskuspölynimuri ei toimi maksimiteholla. Jos likasäiliö on täynnä tai suodatin tukossa, ilma ei pääse kulkemaan yksikön läpi eikä imurointia tapahdu. Tässä kirjasessa annetut ohjeet koskevat säännöllistä huoltoa. Ilman läpivirtaus ja imuteho voidaan ylläpitää oikealla tasolla pitämällä likasäiliö ja suodatin puhtaina sekä putket ja letkut vapaina tukoksista.

LIKASÄILIÖN TYHJENNYS

Useimpien mallien likasäiliössä on tarkkailuikkuna, josta voidaan tarkistaa yhdellä silmäyksellä, vaatiiko se tyhjennystä. Useimmissa tapauksissa likasäiliö on tyhjennettävä kaksi tai kolme (2-3) kertaa vuodessa. Poista likasäiliö painamalla sen kahvoissa olevia painikkeita. Poista ja tyhjennä sisäiltö. Aseta säiliö takaisin paikalleen kiinnittämällä säiliö takaisin keskusyksikköön. Imuhäviöiden välttämiseksi varmista, että säiliö asettuu asianmukaisesti paikalleen.

Katso kuvaa 11 sivulla 7

SUODATTIMEN HUOLTO

Electroluxin oma suodatin on kestävä ja itsepuhdistuva. Jos sinulla on kysyttävää kestävästä suodattimesta ja itsepuhdistustavasta suodattimesta, ota yhteys paikalliseen jälleenmyyjään tai maahantuojaan.

PÖLYPUSSIN SUODATTIMET - LISÄVARUSTE

Pölypussin tilavuus on 22 litraa. Täynnä oleva pölypussi heikentää järjestelmän suoritustehoa. Riippuen siitä, kuinka usein käytät keskuspölynimuriasi, pölypussi on vaihdettava 2-3 kertaa vuodessa – pusseja on saatavissa paikalliselta jälleenmyyjältä tai maahantuojalta.

Pölypussin vaihto:

1. Poista likasäiliö keskusyksiköstä.
2. Löysää pölypussi imuputkesta, irrota ja hävitä.
3. Aseta ja paina uusi pölypussi tiukasti paikalleen putkeen. Kierrä pölypussi aukkoa, jotta se kiinnittyy tiukasti putkeen.
4. Aseta pölysäiliö takaisin keskusyksikköön.

JOS SINULLA ON VAIKEUKSIA ELECTROLUX-KESKUSPÖLYNIMURISI KANSSA, TOTEUTA SEURAAVAT SUOSITELTAVAT TOIMENPITEET, ENNEN KUIN SOITAT HUOLTOHENKILÖLLE.

OSITTAINEN/TÄYDELLINEN IMUTEHON HEIKENTYMINEN

- Varmista, että likasäiliö on oikein paikallaan.
- Tyhjennä likasäiliö.
- Poista lika suodattimesta.
- Varmista, että jokainen imurasia on oikein suljettu.

AVAA TUKKEUMAT PUTKISTOSSA.

Tukos letkussa

Liitä letku johonkin imurasiaan. Jos letkussa ei ole imua sen jälkeen, kun se on liitetty imurasiaan, tukos on letkussa. Poista tukos letkusta työntämällä sen sisään tylppäkärkinen pitkä esine (puutarhaletku, puukeppi). Voit yrittää tukoksen poistamista myös vaihtamalla letkun imusuuntaa.

Katso kuvia 12 ja 13 sivulla 7

Jos jossakin imurasiassa ei ole normaalia imua ja olet tarkistanut, ettei tukos ole letkussa, siinä tapauksessa tukos on keskusyksikön ja kyseisen imurasiain välisessä putkistossa (katso alla olevia ohjeita).

Liitä letku siihen imurasiaan, jossa ei ole imua ja peitä letkun pää kämmenelläsi. Irrota käsi nopeasti. Toista tämä muutamia kertoja. Jos tukos ei poistu, ota yhteys lähimpään Electroluxin jälleenmyyjään tai maahantuojaan.

KESKUSYKSIKKÖ EI KÄYNNISTY

- Tarkista talon pääsulakerasiasta, onko sulake palanut tai piirikatkaisija kauennut.
- Irrota virtajohto pistorasiasta ja tarkista kaikki imurasiat ja heikkovirtaliitännät löystryneiden johdinten osalta.
- Jos keskusyksikkö ei käynnisty, ota yhteys paikalliseen jälleenmyyjään tai maahantuojaan.

KESKUSYKSIKKÖ EI SAMMU

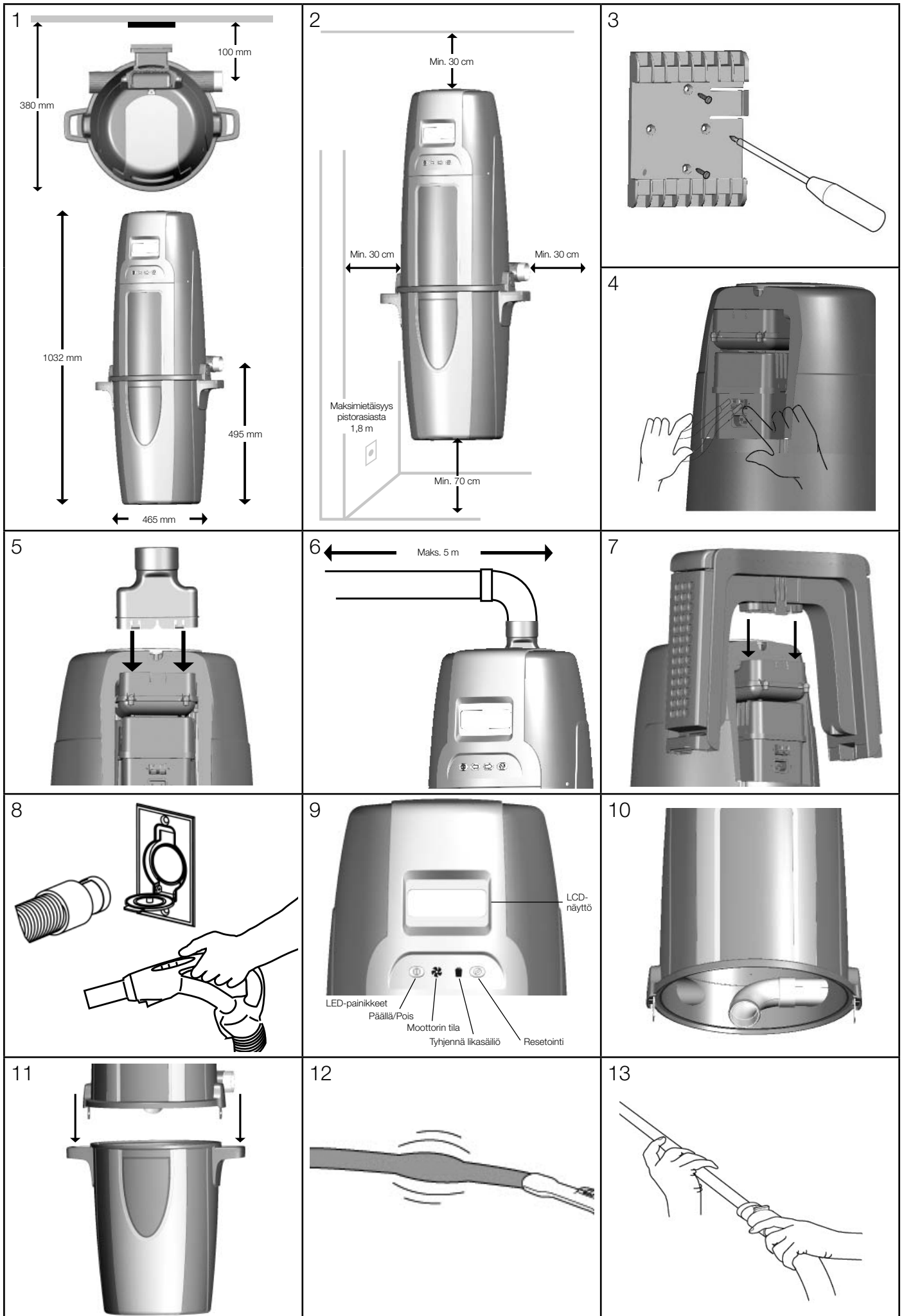
- Tarkista jokaisen imurasiain sisäpuolelta, onko heikkovirtaliitännöissä katkos. Jos näkyvää katkosta ei havaita, irrota imurin virtajohto pistorasiasta ja ota yhteys paikalliseen jälleenmyyjään tai maahantuojaan.

KESKUSYKSIKKÖ SAMMUU ITSESTÄÄN

- Poista letku imurasiasta ja laita takaisin paikalleen tai kytke letkun kahvassa oleva kytkin pois päältä ja takaisin päälle. Katso kohtaa "Ylikuormitussuoja".

TAKUU

Takuuasiat hoitaa paikallinen jälleenmyyjä tai maahantuoja. Ota yhteys paikalliseen jälleenmyyjään tai maahantuojaan kaikissa takuuta koskeissa asioissa.



Ważne zalecenia bezpieczeństwa.....	2
Informacje ogólne	3
Montaż	3
Kontrola systemu.....	4
Instrukcja obsługi	4
Wskaźniki LED	4
Ekran LCD	4
Złącze do worka	5
Gniazdo użytkowe	5
Zabezpieczenie przed przegrzaniem.....	5
Zabezpieczenie przed przeciążeniami.....	5
Diagnostyka i konserwacja.....	5
Konserwacja filtrów.....	6
Filtr worka papierowego.....	6
Wykrywanie i usuwanie usterek.....	6
Zdjęcia poglądowe.....	7

SPIS TREŚCI

System centralnego odkurzania posiada w zestawie następujące elementy.



WAŻNE ZALECENIA BEZPIECZEŃSTWA

Korzystając z urządzeń elektronicznych, należy bezwzględnie przestrzegać podstawowych instrukcji bezpieczeństwa, w tym:

PRZED UŻYCIEM ODKURZACZA NALEŻY ZAPOZNAĆ SIĘ Z TREŚCIĄ INSTRUKCJI.

Niniejszy odkurzacz centralny przeznaczony jest do usuwania normalnego kurzu gromadzącego się w warunkach domowych.

OSTRZEŻENIE

Aby zminimalizować ryzyko pożaru, porażenia prądem elektrycznym lub urazu ciała:

- Nie używać urządzenia na zewnątrz pomieszczeń ani na mokrych powierzchniach.
- Nie zastawiać pokrywy silnika ani otworów wentylacyjnych i przewodu w górnej części jednostki centralnej. Brak odpowiedniej wentylacji powoduje przegrzewanie się silnika.
- Nie umieszczać jednostki centralnej w miejscu narażonym na wysoką temperaturę ani w miejscu trudno dostępnym, np. na strychu czy w pustce podpodłogowej.
- Jednostkę centralną instalować w odległości nie mniejszej niż 30 cm od sufitu i sąsiadujących ścian oraz w odległości co najmniej 70 cm od podłogi. Zapoznać się z obowiązującymi lokalnie przepisami i regulacjami.
- Nie używać odkurzacza do zabawy. Jeżeli urządzenie używane jest przez lub w pobliżu dzieci, zapewnić odpowiedni nadzór.
- Urządzenie nie jest przeznaczone dla osób (w tym dzieci) o obniżonej sprawności fizycznej, sensorycznej lub umysłowej bądź osób nieposiadających wystarczającej wiedzy i doświadczenia - za wyjątkiem przypadków, w których osoby takie pozostają pod nadzorem osoby odpowiedzialnej za ich bezpieczeństwo lub zostały przeszkolone w zakresie korzystania z urządzenia.
- Korzystać z urządzenia wyłącznie w sposób opisany w podręczniku. Używać wyłącznie końcówek zalecanych przez producenta.
- Nie używać, jeżeli przewód elektryczny lub wtyczka są uszkodzone. Jeżeli odkurzacz nie działa prawidłowo, został upuszczony na podłogę, uszkodzony, pozostawiony na zewnątrz bądź zanurzony w wodzie, należy skontaktować się z lokalnym autoryzowanym sprzedawcą/dystrybutorem.
- Podłączać wyłącznie do gniazdka elektrycznego z uziemieniem (sprawdzić w instrukcji uziemiania).
- Nie używać przedłużaczy ani gniazdek o nieodpowiedniej obciążalności prądowej.
- Przed odłączeniem urządzenia z gniazdka wyłączyć wszystkie przyciski.
- Nie ciągnąć za przewód elektryczny przy odłączaniu urządzenia z gniazdka elektrycznego. Aby odłączyć urządzenie, wyjąć przewód z gniazdka trzymając go za wtyczkę.
- Nie dotykać wtyczki ani przewodu mokrymi rękami.
- Nie umieszczać żadnych przedmiotów w otworach. Nie używać urządzenia, jeżeli otwory są zablokowane; usuwać kurz, kłaczki, włosy oraz inne zanieczyszczenia, które mogą zmniejszać przepływ powietrza.
- Odkurzacz powoduje powstawanie siły ssącej. Nie zbliżać włosów, luźnych elementów ubioru, palców i części ciała do otworów i elementów ruchomych.
- Nie usuwać odkurzaczem elementów palących się bądź dymiących, np. papierosów, zapatek czy gorącego popiołu.
- Zachować szczególną ostrożność przy odkurzaniu schodów.
- Nie usuwać odkurzaczem łatwopalnych i wybuchowych płynów (np. benzyny) i nie używać odkurzacza w miejscach, w których substancje takie mogą się znajdować.
- Zadbaj o dobre oświetlenie obszaru odkurzania.
- Przed odkurzaniem urządzeń elektrycznych należy odłączyć je od zasilania.
- Jeżeli dostarczony z zestawem przewód zasilający jest uszkodzony, należy go wymienić na specjalny przewód dostępny u lokalnego autoryzowanego sprzedawcy/dystrybutora.
- Nie używać urządzenia bez założonego worka na kurz lub filtra.

ZACHOWAĆ POWYŻSZE INSTRUKCJE

INFORMACJE OGÓLNE

Centralny system odkurzania przeznaczony jest do usuwania domowych zanieczyszczeń oraz kurzu. Aby uniknąć uszkodzeń lub zablokowania giętkiego węża i rur z tworzywa sztucznego, nie należy przy pomocy odkurzacza usuwać twardych ani ostrych przedmiotów.

W niniejszym podręczniku znajdują się informacje dotyczące końcowych czynności instalacyjnych jednostki centralnej w budynku. Podręcznik zawiera także niezbędne informacje dotyczące konserwacji oraz wykrywania i usuwania usterek. Dodatkowe informacje na temat instalacji lub produktu można uzyskać od lokalnego autoryzowanego sprzedawcy/dystrybutora.

SPRZĘT OCHRONNY ZALECANY PRZY MONTAŻU

Podczas wykonywania montażu ściennego oraz montażu pokrywy zaleca się stosowanie sprzętu ochronnego: kasku, rękawic, okularów i środków ochrony słuchu.



UWAGA



Należy zachować ostrożność podczas wiercenia otworów w ścianach, aby nie uszkodzić rur gazowych, wodociągowych oraz instalacji elektrycznej.

W razie jakichkolwiek pytań dotyczących produktu, części zamiennych, serwisu, gwarancji bądź innych kwestii, należy skontaktować się z lokalnym autoryzowanym sprzedawcą lub dystrybutorem.

INSTRUKCJE DOTYCZĄCE UZIEMIANIA

Urządzenie wymaga uziemienia. W razie awarii lub uszkodzenia systemu, uziemienie zapewnia kanał najmniejszego oporu dla prądu elektrycznego, zmniejszając tym samym ryzyko porażenia. Urządzenie wyposażone jest w kabel z przewodem uziemiającym urządzenie oraz wtyczką uziemiającą. Wtyczkę należy podłączyć do odpowiedniego gniazdka, które musi być prawidłowo zamontowane i uziemione zgodnie z lokalnie obowiązującymi przepisami i rozporządzeniami.

OSTRZEŻENIE

Niewłaściwe podłączenie przewodu uziemiającego urządzenia grozi porażeniem elektrycznym. W przypadku jakichkolwiek wątpliwości dotyczących prawidłowości uziemienia gniazdka, bądź niepasującej wtyczki do gniazdka, należy zwrócić się do wykwalifikowanego elektryka. Nie należy samodzielnie modyfikować wtyczki dostarczonej wraz z urządzeniem.

OSTRZEŻENIE

Jeżeli dostarczony z zestawem przewód zasilający jest uszkodzony, należy go wymienić na odpowiedni przewód dostępny u lokalnego autoryzowanego sprzedawcy/dystrybutora.

INFORMACJE DOTYCZĄCE SERWISU

W niniejszym podręczniku zawarte są zalecenia dotyczące rutynowej konserwacji urządzenia. Dodatkowe informacje można uzyskać u najbliższego autoryzowanego sprzedawcy/dystrybutora.

TABLICZKA ZNAMIONOWA

Na tabliczce znamionowej umieszczonej na panelu sterowania lub pokrywie silnika znajdują się dane dotyczące modelu i typu urządzenia oraz numery seryjne. Aby móc szybko uzyskać kompletne informacje na temat serwisu urządzenia, należy podać powyższe numery podczas kontaktu z działem serwisowym.

OSTRZEŻENIE

Nieprzestrzeżenie zaleceń bezpieczeństwa grozi uszkodzeniem ciała.

WYMIARY PRODUKTU

Patrz strona 7, rysunek 1.

ZUŻYTY SPRZĘT ELEKTRYCZNY I ELEKTRONICZNY (WEEE)



Symbol ten umieszczony na produkcie lub jego opakowaniu oznacza, że produkt nie można utylizować razem z odpadami domowymi. Zużyty produkt należy przekazać do odpowiedniego punktu zbiórki urządzeń elektrycznych i elektronicznych, aby umożliwić jego przetworzenie. Dbając o właściwą utylizację zużytego urządzenia, można zapobiegać potencjalnym negatywnym skutkom dla środowiska naturalnego i zdrowia ludzi, jakie mogłyby mieć miejsce w przypadku nieodpowiedniego usuwania urządzenia. Szczegółowe informacje o produkcie można uzyskać w lokalnym punkcie utylizacji odpadów lub sklepie, w którym produkt został zakupiony.

MONTAŻ

Jeżeli w budynku jest już zainstalowany system rur z tworzywa sztucznego i gniazd wlotowych, można przystąpić do montażu jednostki centralnej. Jeżeli w budynku nie ma systemu centralnego odkurzania, można skontaktować się z lokalnym sprzedawcą lub dystrybutorem, aby zlecić montaż systemu centralnego odkurzania Electrolux wykwalifikowanemu monterowi lub wybrać opcję samodzielnej instalacji.

Jednostka centralna powinna być umieszczona możliwie daleko od pomieszczeń mieszkalnych, jednak w miejscu łatwo dostępnym w celu łatwego opróżniania pojemnika na zanieczyszczenia, sprawdzania filtrów oraz jednostki centralnej. Standardowym miejscem montażu jest garaż. Można wówczas wygodnie odkurzać samochód i pomieszczenie garażu, opróżniać pojemnik na zanieczyszczenia i czyścić filtr. Innymi odpowiednimi miejscami są piwnica, pralnia lub wentylowane pomieszczenia gospodarcze.

UWAGA



Należy zachować ostrożność podczas wiercenia otworów w ścianach, aby nie uszkodzić rur gazowych, wodociągowych oraz instalacji elektrycznej. Wiercenie otworów w ścianach murowanych dopuszczalne jest jedynie wówczas, gdy nie narusza stabilności konstrukcji. Otwory w drewnianym ruszcie ścian wymagają wiercenia. W zależności od materiału, z jakiego zbudowany jest budynek, należy stosować odpowiednie kotwy do podwieszania jednostki centralnej. Jednostkę centralną wsuwa się w uchwyt montażowy i osadza we właściwej pozycji.

Patrz strona 7, rysunek 3.

- Umieścić jednostkę centralną w miejscu oddalonym od pomieszczeń mieszkalnych. Należy zapewnić łatwe podłączanie wylotu do rury wentylacyjnej. Jest to możliwe niezależnie od materiału, z jakiego zbudowany jest budynek.
- Umieścić dwa przewody niskonapięciowe w pobliżu głównej rury. Zdjąć izolację z przewodu niskonapięciowego. Umieścić przewód niskonapięciowy w sprężynowym złączu niskonapięciowym. Postępować zgodnie z lokalnie obowiązującymi przepisami elektrycznymi.

Patrz strona 7, rysunek 4.

- Sprawdzić, czy dostępne jest odpowiednie gniazdko elektryczne dla jednostki centralnej.
- Podłączyć system centralnego odkurzania do gniazdka za pomocą dostarczonego przewodu zasilającego.

System centralnego odkurzania Electrolux Oxygen nie wymaga montażu tłumika. Tłumik jest już wbudowany w urządzenie. Można natomiast wybrać opcję odprowadzania powietrza na zewnątrz. Należy wówczas zamontować tłumik wylotowy. Można w ten sposób dopasować średnicę wylotu do średnicy centralnej rury systemu odkurzającego.

Patrz strona 7, rysunek 5.

- Umieścić jednostkę centralną w taki sposób, aby rura wylotowa była możliwie najkrótsza. Maksymalna zalecana długość wynosi 5 metrów.
- Należy pamiętać o pozostawieniu wolnej przestrzeni po obu stronach jednostki centralnej, aby posiadać swobodny dostęp do pojemnika na zanieczyszczenia.

Patrz strona 7, rysunek 6.

- Wyosiować złącze wlotowe jednostki centralnej ze złączem głównym wystającym ze ściany. **NIE UŻYWAĆ KLEJU.** Podłączyć rurę wylotową do wylotu silnika (jeżeli powietrze odprowadzane jest na zewnątrz). Rura wylotowa powinna być możliwie najkrótsza.

UWAGA: Jednostkę centralną należy zamontować w odległości co najmniej 30 cm od sufitu i przyległych ścian oraz co najmniej 70 cm od posadzki oraz w odległości 1,8 m od gniazdka elektrycznego. Zapoznać się z obowiązującymi lokalnie przepisami w niniejszym zakresie.

Patrz strona 7, rysunek 2.

OSTRZEŻENIE

Nie zastawiać otworów wentylacyjnych znajdujących się w osłonie umieszczonej w górnej części jednostki centralnej. Brak odpowiedniej wentylacji powoduje przegrzewanie się silnika.

OSTRZEŻENIE

Nie umieszczać jednostki centralnej w miejscu narażonym na wysoką temperaturę ani w miejscu trudno dostępnym, np. na strychu czy w pustce podpodłogowej.

Aby zapewnić pełną kontrolę przepływu powietrza, można stosować filtr True HEPA. Filtr zainstalowany jest w niektórych jednostkach centralnych lub można go zakupić u autoryzowanego sprzedawcy/dystrybutora. Filtr True HEPA należy zamontować zgodnie z rysunkiem.

Patrz strona 7, rysunek 7.

KONTROLA SYSTEMU

Podłączyć urządzenie do standardowego gniazdka elektrycznego. Można teraz przystąpić do kontroli poprawności instalacji urządzenia:

- Sprawdzić, czy filtr jest prawidłowo zamontowany w jednostce centralnej.
- Sprawdzić, czy pojemnik na zanieczyszczenia w jednostce centralnej jest prawidłowo zamocowany.
- Podłączyć giętki wąż do gniazd wlotowych, aby sprawdzić, czy styki elektryczne działają prawidłowo.
- Sprawdzić wszystkie gniazda wlotowe pod kątem ewentualnych nieszczelności.
- Sprawdzić wszystkie połączenia rurowe pod kątem nieszczelności.

Patrz strona 7, rysunek 8.

INSTRUKCJA OBSŁUGI SYSTEMU CENTRALNEGO ODKURZANIA

System centralnego odkurzania sterowany jest przy pomocy wyłącznika umieszczonego na węży. Wystarczy umieścić wąż w gnieździe wlotowym i włączyć urządzenie (ustawienie „on”). Uruchamia się wówczas jednostka centralna, aktywując przepływ powietrza.

Po zakończeniu pracy wystarczy wyłączyć urządzenie (ustawienie „off” na wyłączniku węża) i wyjąć wąż z gniazda wlotowego. Przy wyjmowaniu węża należy przez kilka sekund przytrzymać otwartą pokrywę wlotu, aby zredukować siłę ssącą. Chroni to uszczelkę gniazda wlotowego przed uszkodzeniem.

Patrz strona 7, rysunek 8.

WSKAŹNIKI LED - OPCJONALNE, W ZALEŻNOŚCI OD MODELU

Na urządzeniu mogą być umieszczone niektóre bądź wszystkie wskaźniki opisane poniżej.

Patrz strona 7, rysunek 9.



On/Off (Wł./Wył.)



Awaria silnika



Pełny pojemnik na zanieczyszczenia



Reset (Kasuj)

Jednostka centralna wyposażona jest w panel sterowania z różnokolorowymi wskaźnikami LED. Panel sterowania dostarcza użytkownikowi niezbędne informacje na temat eksploatacji, konserwacji i diagnostyki urządzenia. Poniżej opisane zostały poszczególne komunikaty wyświetlane na panelu sterowania.

DZIAŁANIE NORMALNE

Kiedy jednostka centralna jest wyłączona (OFF) i znajduje się w trybie oczekiwania, wskaźnik LED świeci się na CZERWONO.

Kiedy jednostka centralna jest włączona (ON) i używana, wskaźnik LED świeci się na ZIELONO. Jeżeli wskaźnik awarii silnika jest aktywny (ON), należy sprawdzić poniższy opis. Jeżeli wskaźnik opróżniania pojemnika na zanieczyszczenia jest aktywny (ON), należy opróżnić pojemnik, nacisnąć przycisk RESET i przytrzymać go przez 10 sekund.

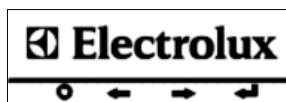
AWARIA SILNIKA

W przypadku przepalenia bezpiecznika lub odłączenia przewodu silnika, gdy jednostka centralna nie działa, wskaźniki CZERWONY, ZIELONY I ŻÓŁTY świecą się światłem ciągłym.

W przypadku wyłączenia urządzenia w wyniku wystąpienia przetężenia przycisk ON/OFF miga na CZERWONO, natomiast wskaźnik ZIELONY oraz wskaźnik AWARII SILNIKA (kolor ŻÓŁTY) szybko migają. Awaria kasowana jest automatycznie w ciągu 15 sekund, jeżeli złącze niskonapięciowe w giętkim węży odkurzacza jest wyłączone (OFF). Jeżeli urządzenie nadal nie działa w wyniku przetężenia, a złącze niskonapięciowe w giętkim węży odkurzacza jest włączone (ON), przycisk ON/OFF świeci się na CZERWONO światłem ciągłym, natomiast wskaźnik ZIELONY oraz wskaźnik AWARII SILNIKA (kolor ŻÓŁTY) wolno migają.

W razie nieprawidłowej częstotliwości prądu pobieranego, jednostka centralna nie uruchamia się, a przycisk ON/OFF świeci się w sposób ciągły na CZERWONO. W przypadku wysokiego napięcia międzyprzewodowego w jednostce centralnej, przycisk ON/OFF świeci się naprzemiennie na CZERWONO i ZIELONO przez trzy serie, po czym następuje krótka przerwa. Po przerwie następuje ponownie jego miganie w kolorze CZERWONYM oraz ZIELONYM przez trzy serie, a następnie pojawia się długa przerwa i kolejne rozpoczęcie całego cyklu. Cykle powtarzają się do momentu powrotu napięcia międzyprzewodowego do standardowego poziomu.

EKRAN LCD - OPCJONALNIE



Patrz strona 7, rysunek 8.

Na głównym ekranie wyświetlacza LCD wyświetla się logo Electrolux. Logo może przesuwać się z jednej strony ekranu na drugą, aby obraz nie nakładał się na wyświetlacz LCD. Logo jest widoczne, gdy jednostka centralna nie jest używana.

Przycisk odpowiadający symbolowi zasilania na ekranie służy do włączania urządzenia. Aby włączyć/wyłączyć urządzenie wystarczy nacisnąć przycisk. Urządzenie można również uruchamiać z dowolnego zainstalowanego wlotu.

Kiedy jednostka centralna z wyświetlaczem LCD znajduje się w trybie oczekiwania, cztery białe wskaźniki na ekranie LCD kolejno zapalają się i przesuują naprzemiennie z lewej strony do prawej, a następnie z prawej do lewej. Cykl powtarzany jest w trybie ciągłym i wskazuje, że jednostka centralna jest gotowa do eksploatacji oraz działa prawidłowo.

UŻYTKOWANIE



Podczas korzystania z urządzenia, wskaźnik zasilania zmienia kolor na zielony. Wyświetlają się 4 kolejne pionowe paski działania. W prawidłowo działającym urządzeniu wszystkie 4 paski działania powinny być podświetlone. Jeżeli stale widoczne są mniej niż 2 paski, należy określić przyczynę problemu. Możliwe przyczyny zmniejszenia liczby pasków działania obejmują:


1. Zablokowanie ssania w końcówce węża
2. Zablokowanie jednej z rur w systemie
3. Stosowanie nasadki ograniczającej przepływ powietrza, np. końcówki szczelinowej
4. Wypełnienie pojemnika na zanieczyszczenia
5. Zablokowanie systemu filtracji

OPRÓŻNIANIE POJEMNIKA NA ZANIECZYSZCZENIA



Po 25 godzinach eksploatacji (co odpowiada ok. 6 miesiącom użytkowania) na ekranie pojawia się migający wskaźnik opróżniania pojemnika na zanieczyszczenia. Sygnalizuje on konieczność sprawdzenia pojemnika na zanieczyszczenia i opróżnienia go. Ponieważ wskaźnik jest ustawiony czasowo, może okazać się, że pojemnik nie jest całkowicie zapełniony bądź że jest przepelniony. Posiadacze zwierząt domowych, warsztatów itp., które przyczyniają się do powstawania większej ilości odpadów powinni częściej sprawdzać pojemnik na zanieczyszczenia.

Po opróżnieniu pojemnika na zanieczyszczenia należy nacisnąć przycisk powrotu, aby zresetować 25-godzinny timer. W przypadku zakłóceń zasilania lub odłączenia urządzenia od źródła zasilania, wskaźnik wypełnienia pojemnika na zanieczyszczenia zachowuje w pamięci poprzedni stan i kontynuuje działanie.

Aby ręcznie zresetować wskaźnik opróżniania pojemnika na zanieczyszczenia, wystarczy nacisnąć przycisk odpowiadający symbolowi Enter i przytrzymać go przez 10 sekund. 

MIERNIK EKSPLOATACJI



Miernik eksploatacji posiada 8 pionowych pasków. Jeżeli liczba pasków zmniejsza się, urządzenie nadal działa, jednak zaleca się skontaktowanie z lokalnym autoryzowanym sprzedawcą/dystrybutorem w celu przeprowadzenia przeglądu oraz ewentualnych prac serwisowych. Liczba pasków zmniejsza się co 65 godzin eksploatacji odkurzacza, co oznacza, że centralny system odkurzania charakteryzuje się długim okresem eksploatacji. Resetowanie ustawień miernika eksploatacji może być wykonywane wyłącznie przez serwisanta. W przypadku zakłóceń zasilania lub odłączenia urządzenia od źródła zasilania, miernik eksploatacji zachowuje w pamięci poprzedni stan i kontynuuje działanie.

WSKAŹNIK SERWISOWANIA



W razie awarii systemu lub nieprawidłowego funkcjonowania jednostki centralnej, wskaźnik serwisu zaczyna świecić w sposób przerywany. W takim przypadku zaleca się wyłączenie urządzenia, odłączenie go od źródła zasilania na 10 sekund oraz ponowne podłączenie do zasilania. Jeżeli symbol serwisowania jest nadal widoczny na ekranie, zaleca się skontaktowanie z serwisem.

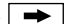
Symbol może pojawiać się w przypadku następujących usterek:

- Problem z silnikiem
- Problem z elektroniką
- Problem z napięciem lub natężeniem prądu (zbyt wysokie lub zbyt niskie)
- Brak łączności jednostki centralnej z układem elektroniki

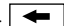
PRZEGLĄDANIE FUNKCJI W LCD



Jeżeli urządzenie nie pracuje, wówczas można przeglądać poszczególne funkcje LCD i monitorować status pojemnika na zanieczyszczenia lub miernika eksploatacji oraz sprawdzać ostatni zarejestrowany poziom mocy.

Aby przeglądać funkcje, należy nacisnąć przycisk odpowiadający symbolowi strzałki skierowanej w prawo. 

Kolejną funkcją na ekranie jest miernik eksploatacji. Przejście dalej w prawo powoduje wyświetlenie statusu pojemnika na zanieczyszczenia. Na kolejnym ekranie pojawia się ostatni zarejestrowany poziom działania jednostki centralnej wyznaczony przez miernik działania na ekranie eksploatacji. Przeglądając funkcje w prawo, na ostatnim ekranie ukazuje się numer telefonu serwisu.

Przycisk odpowiadający przyciskowi ze strzałką skierowaną w lewo umożliwia przeglądanie ekranów w drugą stronę. 

ZŁĄCZE DO WORKA

Jednostka centralna może zostać wyposażona w wygodny w użyciu worek papierowy. Ułatwia to znacznie usuwanie gromadzonych odpadów. Informacje na temat użytkowania worka papierowego znajdują się w podpunkcie dotyczącym filtra worka papierowego, w punkcie „Konservacja filtra”.

Patrz strona 7, rysunek 10.

GNIAZDO UŻYTKOWE

Gniazdo użytkowe jest podobne do gniazda wlotowego, lecz jest umieszczone w pobliżu jednostki centralnej. Gniazdo zainstalowane jest dla wygody użytkownika, ponieważ umożliwia usuwanie zabrudzeń znajdujących się w pobliżu centralnego odkurzacza.

ZABEZPIECZENIE PRZED PRZEGRZANIEM

W przypadku wzrostu temperatury w obrębie płytki drukowanej, jednostka centralna nie działa, a wskaźnik LED jest wyłączony lub (w modelu LCD) miga ekran. W przypadku powyższych problemów, należy nacisnąć przycisk On/Off (Wł./Wył.), odłączyć wąż odkurzacza lub poczekać, aż temperatura ulegnie obniżeniu. Jeżeli problem się utrzymuje, należy skontaktować się z autoryzowanym sprzedawcą bądź dystrybutorem.

Patrz strona 7, rysunek 9.

ZABEZPIECZENIE PRZED PRZECIĄŻENIAMI

System centralnego odkurzania zawiera funkcje, które umożliwiają monitorowanie następujących wskaźników działania: napięcia AC i poboru prądu. Jeżeli wartość napięcia jest niższa bądź wyższa od standardowego napięcia roboczego, pobór prądu jest wysoki lub wirnik jest zablokowany, jednostka centralna nie działa. W takim przypadku przycisk On/Off miga aż do usunięcia problemu lub (w modelu LCD) miga ekran. Jeżeli problem się utrzymuje, należy skontaktować się z autoryzowanym sprzedawcą bądź dystrybutorem. Obniżenie temperatury w jednostce centralnej trwa 30 minut.

Patrz strona 7, rysunek 9.

DIAGNOSTYKA I KONSERWACJA

Zmniejszenie przepływu powietrza lub siły ssącej wskazuje, że system centralnego odkurzania nie działa przy maksymalnej wydajności. Jeżeli pojemnik na zanieczyszczenia jest wypełniony i filtr jest zatkany, powietrze nie może przepływać przez jednostkę, uniemożliwiając czyszczenie. W niniejszym podręczniku zawarte są zalecenia dotyczące rutynowej konserwacji. Odpowiedni przepływ powietrza i ssanie można zapewnić poprzez utrzymywanie pojemnika na zanieczyszczenia i filtra w czystości oraz dbanie o drożność przewodów rurowych i węża z tworzyw sztucznych.

OPRÓŻNIANIE POJEMNIKA NA ZANIECZYSZCZENIA

W większości modeli zainstalowane pojemniki na zanieczyszczenia posiadają okienka, umożliwiające natychmiastową ocenę stopnia napełnienia pojemnika, a tym samym obowiązek jego opróżnienia. W większości przypadków pojemnik na zanieczyszczenia wystarczy opróżniać dwa-trzy razy w ciągu roku. Aby wyjąć pojemnik na zanieczyszczenia, należy nacisnąć przyciski na jego uchwytach. Wyjąć pojemnik i usunąć jego zawartość. Umieścić pojemnik na miejscu, mocując go na jednostce centralnej. Aby zapobiegać stratom siły ssącej, należy upewnić się, że pojemnik jest bezpiecznie zamocowany.

Patrz strona 7, rysunek 11.

KONSERWACJA FILTRÓW

Opracowany przez firmę Electrolux samoczyszczący filtr jest zamontowany na stałe. W przypadku jakichkolwiek pytań dotyczących powyższego filtra, należy skontaktować się z lokalnym autoryzowanym sprzedawcą/dystrybutorem.

FILTRY WORKA PAPIEROWEGO - OPCJONALNIE

Worki papierowe mają pojemność 22 litrów. Wypełnienie worka powoduje spadek wydajności działania systemu. W zależności od częstotliwości używania centralnego systemu odkurzenia, worek na kurz może wymagać wymiany dwa-trzy razy do roku. Worki dostępne są u lokalnego sprzedawcy/dystrybutora.

Instrukcja wymiany worka na kurz:

1. Wyjąć pojemnik na zanieczyszczenia z jednostki centralnej.
2. Połozować worek na kurz na rurze wlotowej, wyjąć go i wyrzucić.
3. Założyć i zamocować mocno nowy worek na rurze wlotowej. Obrócić otwór worka na zanieczyszczenia, aby umocować go dokładnie na rurze.
4. Umieścić pojemnik na zanieczyszczenia ponownie na jednostce centralnej.

W RAZIE PROBLEMÓW Z SYSTEMEM CENTRALNEGO ODKURZANIA ELECTROLUX, PRZED KONTAKTEM Z SERWISEM NALEŻY ZAPOZNAĆ SIĘ Z PONIŻSZYMI INFORMACJAMI DOTYCZĄCYMI WYKRYWANIA I USUWANIA USTEREK.

CZĘŚCIOWA/CAŁKOWITA UTRATA SIŁY SSĄCEJ

- Sprawdzić, czy pojemnik na zanieczyszczenia jest odpowiednio założony.
- Opróżnić pojemnik na zanieczyszczenia.
- Usunąć zanieczyszczenia z filtra.
- Sprawdzić, czy wszystkie gniazda wlotowe są właściwie zamknięte.

USUWANIE ZANIECZYSZCZEŃ BLOKUJĄCYCH RURY

Zatkanie węża giętkiego

Umieścić wąż w dowolnym gnieździe wlotowym. Jeżeli po podłączeniu węża do kolejnych kilku gniazd nie ma siły ssącej, oznacza to, że wąż jest zablokowany. Aby usunąć materiał blokujący wąż, należy wprowadzić tępo zakończony przyrząd do środka węża (wąż ogrodowy, drewniany kij). Można również spróbować zmienić kierunek siły ssącej, aby usunąć blokadę.

Patrz strona 7 - rysunki nr 12 i 13

Jeżeli tylko w jednym gnieździe wlotowym nie ma normalnej siły ssącej, a wąż nie jest zablokowany, blokada znajduje się w systemie rur między niesprawnie działającym gniazdem wlotowym a jednostką centralną (patrz zalecenia poniżej).

Umieścić wąż w gnieździe wlotowym, w którym nie ma właściwego ssania; zatkać ręką wylot węża. Szybko odsłonić wylot. Powtórzyć cykl kilka razy. Jeżeli nie nastąpi odblokowanie, należy skontaktować się z miejscowym sprzedawcą/dystrybutorem produktów Electrolux.

JEDNOSTKA CENTRALNA NIE URUCHAMIA SIĘ

- Sprawdzić, czy w głównej skrzynce zasilania w budynku nie przepalił się bezpiecznik lub nie wyłączył się automatyczny wyłącznik.
- Odłączyć urządzenie i sprawdzić ewentualne luźne przewody we wszystkich gniazdach ściennych i złączach niskonapięciowych.
- Jeżeli urządzenie nadal nie uruchamia się, należy skontaktować się z lokalnym autoryzowanym sprzedawcą/dystrybutorem.

JEDNOSTKA CENTRALNA NIE WYŁĄCZA SIĘ

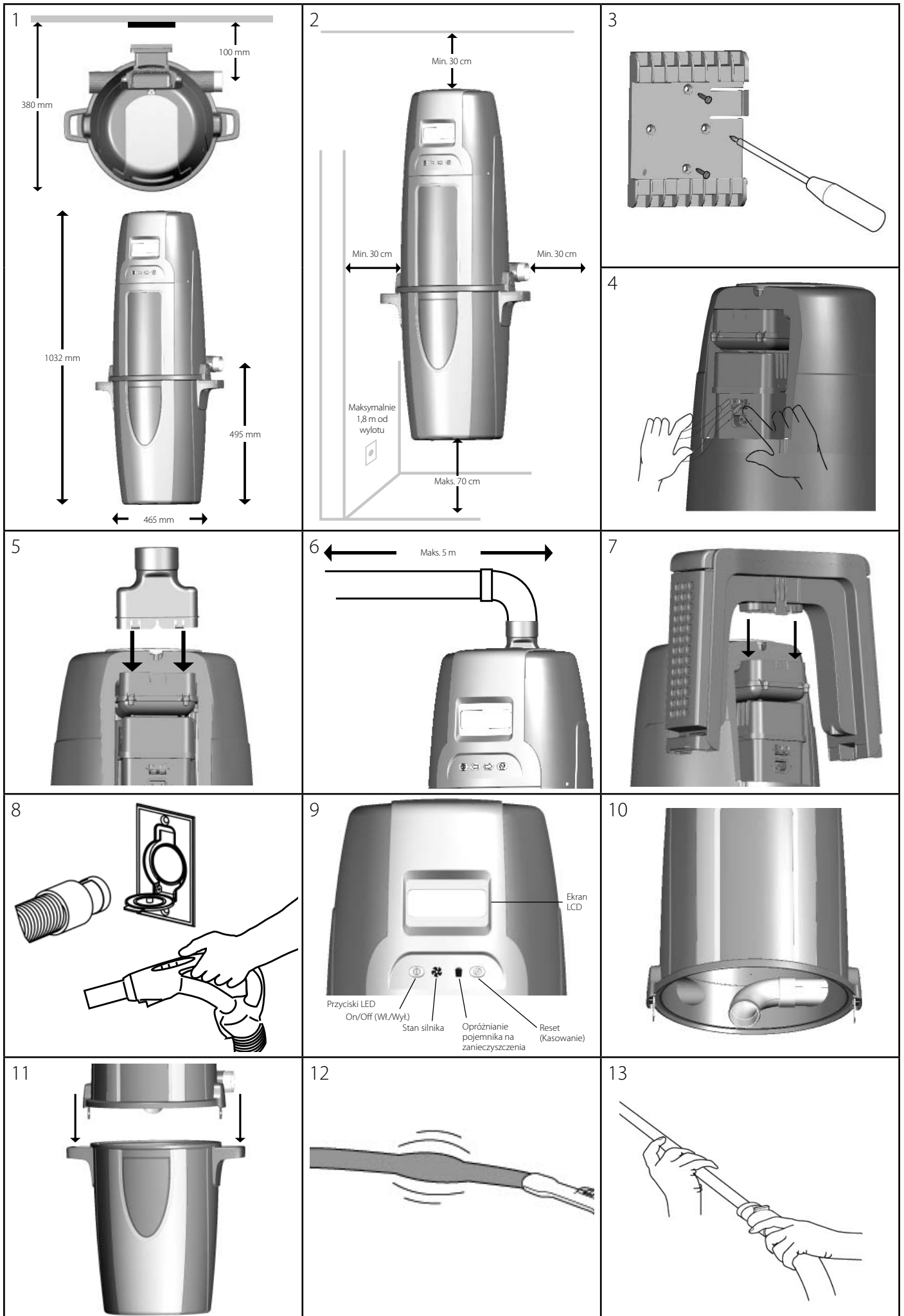
- Sprawdzić wewnątrz gniazd wlotowych pod kątem zablokowania styków niskonapięciowych. Jeżeli nie ma widocznej przeszkody, odłączyć urządzenie z gniazda zasilającego i skontaktować się z lokalnym autoryzowanym sprzedawcą/dystrybutorem.

JEDNOSTKA CENTRALNA WYŁĄCZA SIĘ SAMOISTNIE

- Wyjąć, a następnie ponownie umieścić wąż we wlocie lub wyłączyć i włączyć przycisk on-off znajdujący się w uchwycie węża. Patrz punkt „Zabezpieczenie przed przeciążeniami”.

GWARANCJA

Gwarancją zajmuje się lokalny autoryzowany sprzedawca/dystrybutor. W przypadku jakichkolwiek pytań dotyczących gwarancji, należy skontaktować się z lokalnym autoryzowanym sprzedawcą/dystrybutorem.



Důležitá bezpečnostní opatření.....	2
Všeobecné informace.....	3
Instalace.....	3
Zkouška systému.....	4
Použití.....	4
LED indikátory.....	4
LCD obrazovka.....	4
Nástavec na pytel.....	5
Pomocný ventil.....	5
Ochrana proti přehřátí.....	5
Ochrana proti přetížení.....	5
Diagnostika a údržba.....	5
Údržba filtru.....	6
Pytlíkový filtr.....	6
Řešení problémů.....	6
Obrazová galerie.....	7

OBSAH

Vaše balení centrálního systému vysávání obsahuje uvedené položky.



DŮLEŽITÁ BEZPEČNOSTNÍ OPATŘENÍ

Při použití elektronického spotřebiče vždy dodržujte tato základní preventivní opatření:

PŘED POUŽITÍM TOHOTO CENTRÁLNÍHO SYSTÉMU VYSÁVÁNÍ SI PŘEČTĚTE VŠECHNY POKYNY

Tato jednotka centrálního vysávání je určena k odstranění běžného prachu v domácnosti.

VÝSTRAHA

Za účelem snížení rizika požáru, úderu elektrickým proudem nebo zranění:

- Nepoužívejte spotřebič venku nebo na mokřem povrchu.
- Nezakrývejte kryt motoru nebo výdechy ventilace a trubice na vrchu agregátu. Nedostatek proudění vzduchu způsobí přehřátí motoru.
- Neumísťujte agregát na místo s vysokou teplotou nebo na místo, kde k němu není přístup, např. na půdu nebo do suterénu.
- Agregát namontujte minimálně 30 cm od stropu nebo vedlejší stěny a alespoň 70 cm od podlahy. Kromě toho přihlídněte k příslušným místním zákonům a předpisům.
- Zabraňte tomu, aby si se spotřebičem hráli děti. Zvýšená pozornost je na místě tehdy, je-li spotřebič používán dětmi nebo v jejich blízkosti.
- Tento spotřebič není určen k použití osobami (včetně dětí) s omezenými fyzickými, smyslovými nebo mentálními schopnostmi nebo nedostatkem zkušeností a znalostí, pokud na ně při použití spotřebiče nedohlíží nebo jim neradí osoba, která je odpovědná za jejich bezpečnost.
- Spotřebič používejte pouze dle pokynů v tomto návodu. Používejte pouze příslušenství doporučené výrobcem.
- Spotřebič nepoužívejte, je-li napájecí kabel nebo konektor poškozen. Jestliže vysavač nepracuje tak, jak má, upadl, poškodil se, zůstal venku nebo spadl do vody, vraťte ho místnímu autorizovanému prodejci nebo distributorovi.
- Spotřebič připojte pouze do řádně uzemněné zásuvky (viz pokyny k uzemnění).
- Nepoužívejte prodlužovací kabely ani zásuvky s nedostatečným přípustným zatížením proudem.
- Před vytažením spotřebiče ze zásuvky vypněte všechny ovladače.
- Nevypojte spotřebič tahem za napájecí kabel. Chcete-li spotřebič vytáhnout ze zásuvky, uchopte konektor, nikoliv napájecí kabel.
- Nemanipulujte s konektorem nebo napájecím kabelem vlhkými rukama.
- Nevkládejte do výdechů žádné předměty. Nepoužívejte spotřebič, je-li nějaký výdech ucpán; odstraňujte prach, textilní odpad, vlasy a veškeré látky, které mohou bránit proudění vzduchu.
- Tento vysavač vytváří podtlak. Nenechávejte v blízkosti výdechů a pohyblivých částí vlasy, volné části oděvu, prsty či jakékoliv jiné části těla.
- Nevysávejte nic, co hoří nebo doutná, například cigarety, zápalky nebo horký popel.
- Při vysávání schodů buďte zvláště opatrní.
- Nevysávejte žádné hořlavé nebo výbušné kapaliny, například benzin, ani spotřebič nepoužívejte v místech, kde se takové látky vyskytují.
- Pracujte při dobrém osvětlení.
- Před vysáváním elektrických spotřebičů je vytáhněte za zásuvky.
- Je-li napájecí kabel poškozený, je nutné ho vyměnit za zvláštní napájecí kabel, který získáte u autorizovaného místního prodejce nebo distributora.
- Spotřebič nepoužívejte, nejsou-li pytel na nečistoty a (nebo) filtr na svém místě.

TYTO POKYNY USCHOVEJTE

VŠEOBECNÉ INFORMACE

Centrální vysavač je určen k suchému vysávání nečistot a prachu v domácnosti. Vyvarujte se vysávání tvrdých a ostrých předmětů tímto systémem, aby nedošlo k poškození nebo ucpání hadice a plastové trubice.

Tento návod obsahuje informace o posledních krocích instalace agregátu ve Vaší domácnosti. Podává rovněž nutné informace o údržbě a řešeních problémů, které by se však neměly vyskytnout. Vyžadujete-li další informace o instalaci nebo máte k výrobku otázky, kontaktujte svého místního autorizovaného prodejce nebo distributora.

BEZPEČNOSTNÍ VÝBAVA PŘI INSTALACI

Při přípravných pracích na zdi a krytu doporučujeme použít bezpečnostní vybavení, například helmu, rukavice, ochranné brýle a ochranu sluchu.



VAROVÁNÍ



Při vrtání otvorů do zdi je na místě opatrnost, protože se zde mohou nacházet vedení plynu a vody nebo elektrické vodiče.

Máte-li jakékoliv otázky týkající se výrobku, náhradních dílů, servisu, záruky či čehokoliv jiného, kontaktujte svého místního autorizovaného prodejce nebo distributora.

POKYNY K UZEMNĚNÍ

Tento spotřebič musí být uzemněn. Kdyby došlo k jeho selhání nebo poruše, poskytnete uzemnění elektrickému proudu cestu s minimálním odporem a tím sníží riziko úderu elektrickým proudem. Tento spotřebič je vybaven napájecím kabelem, který má zemnicí vodič zařízení a konektor s ochranným kontaktem. Konektor je nutné do vhodné zásuvky zapojit tak, aby byl vhodně nainstalován a uzemněn v souladu se všemi místními zákony a zvyklostmi.

VÝSTRAHA

Nesprávné připojení zemnicího vodiče zařízení může vést k úderu elektrickým proudem. Jste-li na pochybách, zda je zásuvka řádně uzemněna nebo zda je možné konektor do příslušné zásuvky zapojit, nechte provést kontrolu kvalifikovaným elektroinstalátérem nebo servisním technikem. Konektor, který je dodáván se spotřebičem, neupravujte.

VÝSTRAHA

Je-li napájecí kabel poškozený, je nutné ho vyměnit za zvláštní napájecí kabel, který získáte u svého místního autorizovaného prodejce nebo distributora.

SERVISNÍ INFORMACE

Pokyny v této příručce slouží jako návod k běžné údržbě. Další informace získáte u svého nejbližšího autorizovaného prodejce nebo distributora.

TYPOVÝ ŠTÍTEK

Čísla modelu a typu a výrobní číslo jsou uvedeny na typovém štítku, který se nachází na ovládacím panelu nebo krytu motoru. Při žádosti o servis vždy udávejte tato čísla. Poskytnete tak rychlé a úplné informace k servisu.

VÝSTRAHA

Nedodržení bezpečnostních pokynů může vést k ublížení na zdraví.

ROZMĚRY VÝROBKU

Viz strana 7 - obrázek 1

LIKVIDACE ELEKTRICKÝCH A ELEKTRONICKÝCH ZAŘÍZENÍ (WEE)



Tento symbol na výrobku nebo na jeho obalu označuje, že tento výrobek nelze likvidovat jako běžný domácí odpad. Je nutné ho odvézt na příslušný sběrný dvůr, kde se vybírají elektronická a elektrická zařízení, aby mohla být recyklována. Zajištěním správné likvidace tohoto produktu pomůžete zabránit případným negativním důsledkům pro životní prostředí a zdraví člověka, které by mohly v případě nevhodné likvidace tohoto výrobku nastat. Podrobnější informace o tomto produktu získáte u servisní společnosti zajišťující likvidaci odpadu nebo u obchodě, kde jste výrobek zakoupili.

INSTALACE

Vaše domácnost je pravděpodobně již vybavena systémem plastových trubíc a sacích ventilů, takže jste na instalaci agregátu centrálního systému vysávání již připraveni. Jestliže vaše domácnost není pro centrální vysávací systém upravena, můžete se buď obrátit na svého místního prodejce nebo distributora a nechat si centrální systém vysávání Electrolux nainstalovat profesionálem nebo si můžete systém nainstalovat vlastními silami.

Agregát centrálního vysávacího systému je nutné umístit do co největší vzdálenosti od hlavního obytného prostoru, avšak na přístupné místo, abyste mohli vynášet nádobu na nečistoty, čistit filtr a kontrolovat celou jednotku. Vhodným umístěním je garáž, kde můžete vysávat svůj vůz nebo prostor v garáži a kde je vyjímání nádoby na nečistoty a čištění filtru mnohem vhodnější. Mezi další vhodná místa patří suterén, prádelna nebo větraná skladovací místnost.

VAROVÁNÍ



Při vrtání otvorů do zdi je na místě opatrnost, protože se zde mohou nacházet vedení plynu a vody nebo elektrické vodiče. Otvory do zdiva mohou být vytvořeny pouze tehdy, když tím není snížena stabilita zdi. Otvory do dřevěných sloupků je nutné vyvrtat. V závislosti na materiálu, z něhož je váš dům postaven, použijte vhodné ukotvení k zavěšení agregátu. Agregát jednoduše nasuňte na nosný držák a zaklapněte na místě.

Viz strana 7 - obrázek 3

- Umístěte agregát na místo, které je stranou hlavního obývacího prostoru. Odsávání by mělo jít snadno připojit k ventilačnímu vedení. To lze provést bez ohledu na materiál, z něhož je dům postaven.
- Do blízkosti hlavního vedení umístěte dva nízkonapěťové vodiče. Sejměte z nízkonapěťového vodiče izolaci. Vložte nízkonapěťový vodič do pružinových nízkonapěťových konektorů. Ujistěte se, že jsou v souladu s místními elektroinstalacími zákony a předpisy.

Viz strana 7 - obrázek 4

- Vyhradte pro agregát elektrickou zásuvku.
- Zapojte do ní dodaný napájecí kabel agregátu centrálního vysávacího systému (CVS).

Váš centrální vysávací systém Oxygen značky Electrolux nevyžaduje montáž tlumiče. Váš CVS se již dodává s nainstalovaným tlumičem. Přejete-li si odsávat vzduch ven, bude nutné připojit odsávací nástavec. Tímto nástavcem uzpůsobíte velikost odsávání průměru trubice centrální odsávání.

Viz strana 7 - obrázek 5

- Umístěte agregát tak, aby byla odsávací trubice co možná nejkratší. Odsávání by mělo být omezeno na maximálně 5 metrů.
- Ponechte po stranách agregátu určitý volný prostor, abyste měli přístup k nádobě na nečistoty.

Viz strana 7 - obrázek 6

- Zarovnejte sání agregátu s hlavním vedením vycházejícím ze zdi.
NEPŘIPEVŇUJTE LEPIDLEM. V případě odsávání ven připojte odsávací trubici k motoru odsávání. Zajistěte, aby byla odsávací trubice co možná nejkratší.

POZNÁMKA: Hlavní Agregát namontujte alespoň 30 cm od stropu a sousední stěny a alespoň 70 cm od podlahy a v maximální vzdálenosti 1,8 m od elektrické zásuvky. Držte se všech příslušných místních předpisů.

Viz strana 7 - obrázek 2

VÝSTRAHA

Nezakrývejte výdechy ventilace na krytu na vrchu hlavního agregátu. Nedostatek ventilace způsobí přehřátí motoru.

VÝSTRAHA

Neumísťujte hlavní agregát na místo s vysokou teplotou nebo na místo, kde k němu není přístup, např. na půdu nebo do suterénu.

Dokonalé ovládání vzduchu zajišťuje filtr True HEPA, který může být součástí vašeho agregátu nebo který můžete zakoupit i autorizovaného prodejce nebo distributora. Pravý True HEPA filtr jednoduše připojte, jak je uvedeno níže.

Viz strana 7 - obrázek 7

ZKOUŠKA SYSTÉMU

Ujistěte se, že je zapojení v souladu s místními elektroinstalačními zákony a předpisy. Zapojte jednotku do běžné elektrické zásuvky. Nyní jste připraveni zkontrolovat instalaci jednotky:

- Přesvědčte se, že je filtr řádně nainstalován v agregátu.
- Přesvědčte se, že je k agregátu řádně připevněna nádoba na nečistoty.
- Zasuňte hadici do každého sacího ventilu, abyste se přesvědčili, že elektrické kontakty pracují správně.
- Zkontrolujte, zda z žádného sacího ventilu neuniká vzduch.
- Zkontrolujte, zda z žádného místa připojení trubice neuniká vzduch.

Viz strana 7 - obrázek 8

POUŽITÍ CENTRÁLNÍHO VYSÁVACÍHO SYSTÉMU

Váš centrální vysávací systém se ovládá spínačem na hadici. Jednoduše vložte hadici do ventilu a přepněte spínač do polohy Zapnuto. Nastartuje se agregát a proudění vzduchu.

Poté spínač na hadici přepněte do polohy Vypnuto a vyjměte hadici ze sacího ventilu. Při odpojování hadice přidržte kryt sání na několik vteřin v otevřené poloze, aby klesl podtlak, čímž ochráníte těsnění sacího ventilu.

Viz strana 7 - obrázek 8

LED INDIKÁTORY - VOLITELNĚ V ZÁVISLOSTI NA MODELU

Váš přístroj může být vybaven některými nebo všemi indikátory, které jsou uvedeny níže.

Viz strana 7 - obrázek 9



Zap/Vyp



Porucha motoru



Plná nádoba na nečistoty



Obnova nastavení

Váš agregát je vybaven barevným LED panelem. Tento LED panel Vám podává nutné informace o výkonu, údržbě a diagnostice Vašeho agregátu. Níže jsou uvedeny popisy různých zpráv, které agregát hlásí.

NORMÁLNÍ PROVOZ

Je-li agregát VYPNUTÝ a nachází se v pohotovostním režimu, tlačítko LED bude ČERVENÉ.

Po ZAPNUTÍ a při použití agregátu bude mít tlačítko LED ZELENOU barvu. ZAPNUTÍ kontrolky poruchy motoru je popsáno níže. Rozsvítí-li se kontrolka plné nádoby na nečistoty, vyprázdněte ji, stiskněte a na 10 vteřin přidržte tlačítko OBNOVY NASTAVENÍ.

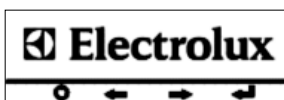
PORUCHA MOTORU

V případě spálené pojistky nebo odpojeného vodiče motoru a tedy nefunkčního agregátu zůstane trvale svítit ČERVENÁ, ZELENÁ a ŽLUTÁ kontrolka.

V případě výpadku proudu bude blikat ČERVENÁ kontrolka tlačítka ZAP/VYP, ZELENÁ kontrolka se bude rychle zapínat a vypínat a kontrolka PORUCHY MOTORU bude mít ŽLUTOU barvu a bude se rychle zapínat a vypínat. Bude-li u hadice VYPNUTO nízkonapěťové připojení, dojde v případě této poruchy za 15 vteřin k automatické obnově nastavení. Bude-li vypnutý v důsledku proudového přetížení pokračovat a nízkonapěťové připojení u hadice bude ZAPNUTO, bude ČERVENÁ kontrolka tlačítka ZAP/VYP trvale svítit, ZELENÁ kontrolka bude pomalu blikat a kontrolka PORUCHY MOTORU bude pomalu ŽLUTĚ blikat.

V nepravděpodobném případě, že agregát přijme chybnou frekvenci, se agregát nespustí a ČERVENÁ kontrolka tlačítka ZAP/VYP bude trvale svítit. V případě, že do agregátu bude proudit vysoké síťové napětí, tlačítko ZAP/VYP třikrát přepne mezi ČERVENOU a ZELENOU barvou, poté na chvíli přeruší činnost, třikrát přepne mezi ČERVENOU a ZELENOU BARVOU, přeruší činnost na delší dobu a poté se proces zopakuje. Tento proces bude pokračovat do té doby, dokud se vysoké napětí nevrátí na správnou úroveň.

LCD OBRAZOVKA - VOLITELNÝ PRVEK VÝBAVY



Viz strana 7 - obrázek 8

Na hlavní obrazovce LCD displeje se zobrazí logo společnosti Electrolux. Toto logo se může posouvat ze strany na stranu, aby nedošlo k zatuhnutí obrázku na LCD displeji. Logo uvidíte tehdy, když agregát nebude používán.

K aktivování jednotky lze použít tlačítko, které je v řadě se symbolem napájení na obrazovce. Stiskněte toto tlačítko, chcete-li jednotku zapnout nebo vypnout. Jednotku lze rovněž aktivovat z jakéhokoli nainstalovaného vstupu.

Když se LCD displej agregátu nachází v pohotovostním režimu, rozsvítí se postupně zleva doprava čtyři bílé kontrolky na LCD displeji a poté postupně zhasnou zprava doleva. Tento proces se bude neustále opakovat a bude značit, že je váš agregát připraven k použití a že pracuje správně.

PRACUJÍCÍ AGREGÁT



Když je agregát v chodu, kontrolka napájení začne svítit zeleně. Zobrazí se 4 rostoucí výkonové sloupce. V případě normálně pracující jednotky budou svítit všechny 4 výkonové sloupce. V případě, že jsou stále zobrazeny méně než 2 sloupce, je nutné zjistit, kde je problém. Mezi možné příčiny snížení počtu výkonových sloupců patří:

1. Ucpané sání na konci hadice
2. Ucpaná trubice v systému
3. Je použit nástroj snižující proudění vzduchu, například štěrbinová hubice
4. Plná nádoba na nečistoty
5. Ucpaný filtrační systém

VYPRÁZDNĚNÍ NÁDOBY NA NEČISTOTY



Po každých 25 hodinách používání (zhruba 6 měsíců) se na obrazovce rozsvítí indikátor vyprázdnění nádoby na nečistoty. Jde o signál toho, že je nutné zkontrolovat a vyprázdnit nádobu na nečistoty. Vzhledem k tomu, že jde o kontrolu na časové bázi, můžete zjistit, že je nádoba na nečistoty příliš prázdná nebo přeplněná. Chováte-li zvířata, máte-li dílnu nebo se z jakéhokoli důvodu potýkáte s častějším znečištěním, můžete požadovat častější kontrolku nádoby na nečistoty.

Po vyprázdnění nádoby na nečistoty stiskněte obnovovací tlačítko, aby došlo k obnově nastavení 25hodinového časovače. Dojde-li k přerušení napájení nebo odpojení od přívodu elektrické energie, indikátor vyprázdnění nádoby na nečistoty uchová v paměti předchozí stav a bude pokračovat v měření životnosti.

Chcete-li ručně obnovit nastavení indikátoru vyprázdnění nádoby na nečistoty, stiskněte a na 10 vteřin přidržte tlačítko, které je v řadě se symbolem Enter.

MĚŘIČ ŽIVOTNOSTI



Měřič životnost má 8 sloupců. Jakmile jsou tyto sloupce vyprázdněny, můžete jednotku nadále používat, i když velmi doporučujeme odvézt jednotku k Vašemu místnímu autorizovanému prodejci nebo distributorovi ke kontrole a servisu. Sloupec životnosti se vyprázdní po 65 hodinách vysávání, což znamená, že Vám bude centrální vysávací systém sloužit dlouhou dobu. Obnovu nastavení měřiče životnosti může provést pouze servisní technik. Dojde-li k přerušení napájení nebo odpojení od přívodu elektrické energie, měřič životnosti uchová v paměti svůj předchozí stav a bude pokračovat v měření životnosti.

SERVISNÍ INDIKÁTOR



V případě poruchy systému nebo agregátu se rozsvítí servisní indikátor. Jakmile tento symbol uvidíte, doporučujeme agregát vypnout, odpojit na 10 vteřin od přívodu elektrické energie a poté znovu připojit. Jestliže servisní indikátor na obrazovce stále svítí, doporučujeme zavolat do servisu.

Tento symbol se může objevit v těchto případech:

- Problém s motorem
- Problém s elektronikou
- Problém s napětím nebo proudem (příliš vysoká nebo nízká hodnota)
- Agregát nereaguje na elektroniku

LISTOVÁNÍ NA LCD DISPLEJI



Není-li agregát používán, můžete na LCD displeji listovat funkcemi a zjistit tak stav nádoby na nečistoty, stav sledování životnosti nebo aktuální zaznamenanou úroveň napájení.

Chcete-li těmito funkcemi listovat, stiskněte tlačítko, které odpovídá symbolu šipky směřující doprava.

Na další obrazovce uvidíte měřič životnosti. Posunutím doprava na další stránku zjistíte stav nádoby. Dalším posunutím se na obrazovce použítí agregátu zobrazí měřič výkonu s aktuálně zaznamenanou úrovní výkonu agregátu. Posledním posunutím doprava se zobrazí telefonní číslo na zákaznický servis.

Tlačítko, které je v jedné řadě s tlačítkem posouvání doleva, vám umožní listovat obrazovkami zpět.

NÁSTAVEC NA PYTEL

Váš agregát je možné vybavit vhodným papírovým pytlíkem, který umožní pohodlnější likvidaci nečistot. Informace o údržbě papírového pytlíku naleznete v části Pytlíkový filtr v kapitole Údržba filtru.

Viz strana 7 - obrázek 10

POMOCNÝ VENTIL

Pomocný ventil se podobá sacímu ventilu, avšak nachází se vedle agregátu. Tento ventil zvyšuje Vaše pohodlí, protože Vám pomáhá odstranit veškeré nečistoty nacházející se v blízkosti agregátu centrálního vysávacího systému.

OCHRANA PROTI PŘEHŘÁTÍ

Zvýší-li se teplota obvodové desky agregátu, agregát přestane pracovat a buď se vypnou LED kontrolky nebo v případě modelu s LCD displejem bude blikat obrazovka. V případě těchto problémů stiskněte tlačítko Zap/Vyp, odpojte hadici nebo vyčkejte, než teplota klesne. Jestliže problémy přetrvávají, kontaktujte svého autorizovaného prodejce nebo distributora.

Viz strana 7 - obrázek 9

OCHRANA PROTI PŘETÍŽENÍ

Centrální vysávací systém používá funkce, které sledují tyto provozní úrovně: střídavé napětí a spotřebu proudu. Jestliže se napětí nachází pod nebo nad standardním provozním napětím, odběr proudu je vysoký nebo je rotor zablokovaný, agregát přestane pracovat. V takovém případě bude blikat tlačítko Zap/Vyp, dokud problém neustane, nebo u modelu s LCD displejem bude blikat obrazovka. Jestliže problémy přetrvávají, kontaktujte svého autorizovaného prodejce nebo distributora. Agregát vyžaduje k ochlazení 30 minut.

Viz strana 7 - obrázek 9

DIAGNOSTIKA A ÚDRŽBA

Snížené proudění vzduchu nebo sání znamená, že centrální vysávací systém nepracuje na maximální výkon. Jestliže je nádoba na nečistoty plná a filtr je ucpáný, nemůže jednotkou procházet vzduch a nemůže probíhat čištění. Pokyny v této příručce slouží jako návod k běžné údržbě. Správné proudění vzduchu nebo sání zachováte tak, že budete udržovat v čistotě nádobu na nečistoty a filtr a bránit ucpání plastových trubek a hadice.

VYPRÁZDNĚNÍ NÁDOBY NA NEČISTOTY

Většina modelů je vybavena nádobou na nečistoty s průhledovým oknem, abyste pouhým pohledem zjistili, zda je nutné nádobu vyprázdnit. Ve většině případů je nutné nádobu na nečistoty vyprázdnit pouze dvakrát nebo třikrát (2 - 3) za rok. Chcete-li nádobu na nečistoty vyjmout, stiskněte tlačítka na madlech nádoby. Nádobu vyjměte a vyprázdněte její obsah. Připevněním k agregátu vraťte nádobu na její místo. Aby nedošlo k poklesu sání, přesvědčte se, že je nádoba správně připevněna.

Viz strana 7 - obrázek 11

ÚDRŽBA FILTRU

Filtr značky Electrolux je stálý samočisticí filtr. V případě jakýchkoli dotazů, které se týkají stálého samočisticího filtru, kontaktujte svého místního autorizovaného prodejce nebo distributora.

PYTLÍKOVÉ FILTRY - VOLITELNÝ PRVEK VÝBAVY

Objem papírového pytle činí 22 litrů. Plný pytel na nečistoty snižuje výkon systému. V závislosti na frekvenci používání Vašeho centrálního vysávacího systému je nutné pytel na nečistoty vyměňovat dvakrát až třikrát za rok. Pytle zakoupíte u svého místního prodejce nebo distributora.

Pokyny k výměně pytle na nečistoty:

1. Vyjměte z agregátu nádobu na nečistoty.
2. Uvolněte ze sací trubice pytel na nečistoty, vyjměte jej a zlikvidujte.
3. Vložte nový pytel na nečistoty a pevně jej zasuňte do trubice. Otočením otvoru pytle na nečistoty pytel pevněji připevníte k trubici.
4. Vložte nádobu na nečistoty zpět na agregát centrálního vysávacího systému.

ZAZNAMENÁTE-LI SE SVÝM CENTRÁLNÍM VYSÁVACÍM SYSTÉMEM ZNAČKY ELECTROLUX NĚJAKÝ PROBLÉM, VĚNUJTE PŘED POŽÁDÁNÍM O SERVIS POZORNOST NÍŽE UVEDENÝM ŘEŠENÍM PROBLÉMŮ.

ČÁSTEČNÁ NEBO ÚPLNÁ ZTRÁTA SACÍHO VÝKONU

- Přesvědčte se, že je nádoba na nečistoty správně nainstalována.
- Vyprázdněte nádobu na nečistoty.
- Vyjměte z filtru zbytky nečistot.
- Přesvědčte se, že je každý sací ventil řádně uzavřen.

ODSTRANĚNÍ UCPÁNÍ V TRUBICÍCH

Ucpání hadice

Připojte hadici k jakémukoliv sacímu ventilu. Jestliže hadice po připojení k dvojici vstupů nenasává, je hadice ucpána. Ucpanou hadici uvolníte tak, že do hadice vložíte tupý předmět (zahradní hadice, dřevěný kolík). Můžete se rovněž pokusit otočit směr sání v trubici, abyste uvolnili ucpání.

Viz strana 7 - obrázek 12 a 13

Jestliže se u jednoho sacího ventilu objeví nenormální sání a byla provedena kontrola ucpání hadice, nachází se zdroj ucpání v trubici mezi ucpaným sacím ventilem a agregátem (viz pokyny níže).

Vložte do sacího otvoru bez přítomnosti sacího výkonu hadici; přiložte ke konci hadice svou dlaň. Dlaň rychle uvolněte. Několikrát to zopakujte. Jestliže se ucpání neuvolní, kontaktujte nejbližšího prodejce nebo distributora výrobků značky Electrolux.

AGREGÁT NELZE SPUSTIT

- Zkontrolujte, zda není v elektrické skříni spálená pojistka nebo rozpojený elektrický jistič.
- Odpojte agregát a u všech síťových zásuvek a míst nízkonapětového připojení zkontrolujte, zda nedošlo k uvolnění vodiče.
- Jestliže nelze jednotku stále spustit, kontaktujte nejbližšího místního autorizovaného prodejce nebo distributora.

AGREGÁT NELZE ZASTAVIT

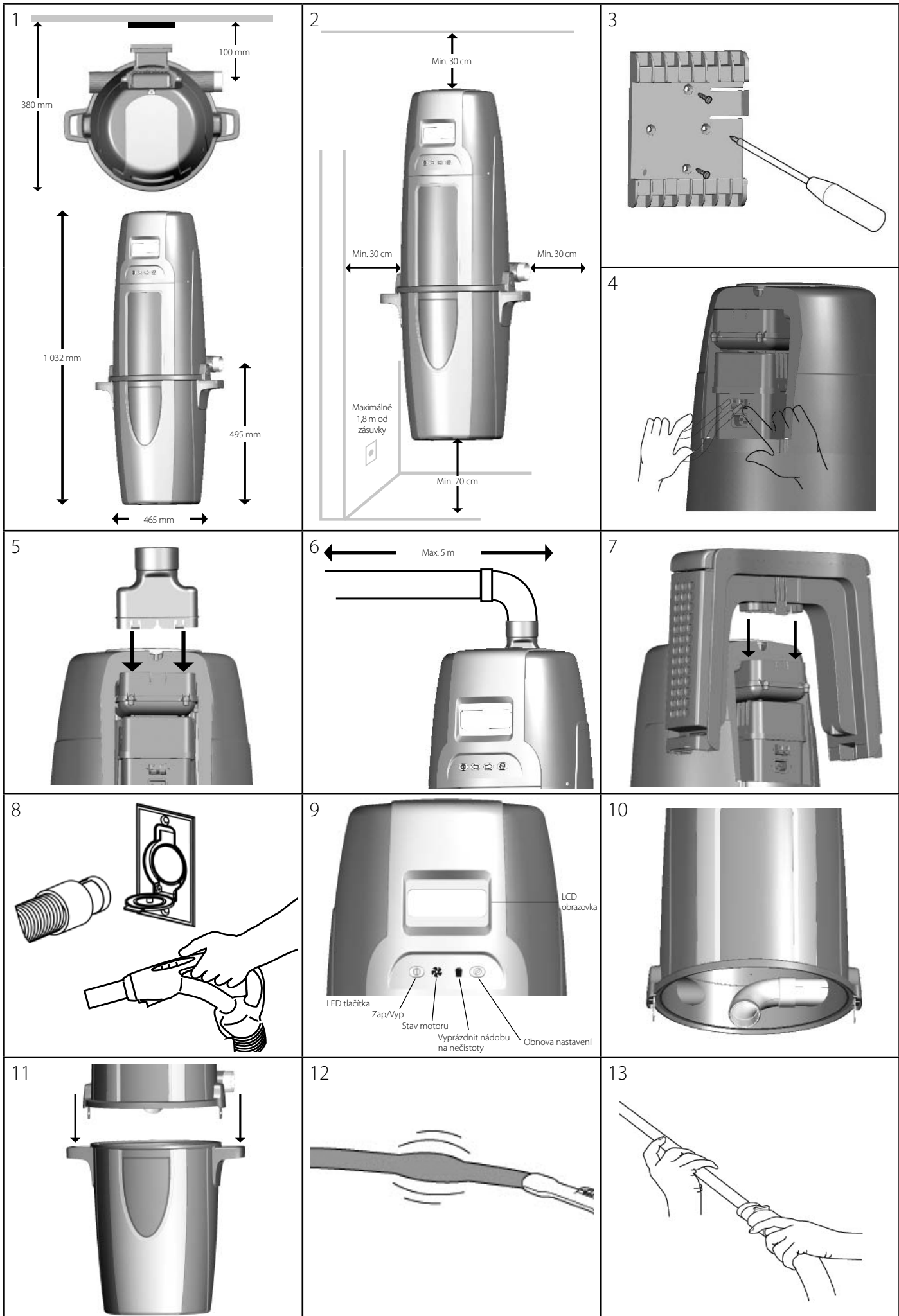
- Uvnitř každého sacího ventilu zkontrolujte, zda nejsou zahrazeny nízkonapětové kontakty. Nejistíte-li vizuálně žádné zakrytí, odpojte vysavač od zdroje napájení a kontaktujte nejbližšího místního autorizovaného prodejce nebo distributora.

AGREGÁT CENTRÁLNÍHO VYSÁVACÍHO SYSTÉMU SE SÁM VYPÍNÁ

- Vyjměte a poté znovu zasuňte hadici do otvoru nebo vypněte a zapněte spínač na madle hadice. Viz „Ochrana proti přetížení“.

ZÁRUKA

Záruku poskytuje Váš místní autorizovaný prodejce nebo distributor. Dotazy týkající se záruky zodpoví Váš místní autorizovaný prodejce nebo distributor.



Dôležité bezpečnostné inštrukcie	2
VŠEOBECNÉ INFORMÁCIE.....	3
INŠTALÁCIA.....	3
KONTROLA SYSTÉMU.....	4
AKO POUŽÍVAŤ CENTRÁLNY VYSÁVAČ.....	4
LED INDIKÁCIA	4
LCD OBRAZOVKA.....	4
ADAPTÉR PRE POUŽITIE PRACHOVÝCH VRECIEK.....	5
OBSLUŽNÝ VENTIL.....	5
TEPELNÁ OCHRANA.....	5
OCHRANA PRED PREŤAŽENÍM	5
DIAGNOSTIKA A ÚDRŽBA.....	5
ÚDRŽBA FILTRA.....	6
PAPIEROVÉ VRECKÁ.....	6
HĽADANIE CHÝB	6
OBRÁZKY	7

OBSAH

Váš systém centrálného vysávača pozostáva z nasledovných položiek:



DÔLEŽITÉ BEZPEČNOSTNÉ POKYNY

Pri používaní elektronických prístrojov musia byť vždy dodržané základné preventívne opatrenia zahŕňajúce nasledovné:

PREČÍTAJTE SI VŠETKY INŠTRUKCIE PRED POUŽITÍM SYSTÉMU CENTRÁLNEHO VYSÁVANIA.

Táto jednotka centrálného vysávača je určená k odstráneniu bežného domáceho prachu.

VAROVANIA

Aby sa zredukovalo riziko požiaru, zasiahnutia el. prúdom alebo poranenia:

- Nepoužívajte vonku alebo na mokrých povrchoch.
- Neblokujte veko motora alebo ventilačné otvory a vedenie na povrchu sacieho agregátu. Nedostatočná ventilácia môže spôsobiť prehriatie motora.
- Neumiestňujte agregát do miest s vysokou teplotou alebo tam, kde sú priestory uzavreté napr. na povalu.
- Inštalujte agregát nie menej ako 30cm od stropu alebo príľahlej steny a najmenej 70cm od podlahy. Dodatočne si preverte miestne predpisy a regulácie, ktoré sa musia dodržať.
- Nedovoľte aby sa systém používal na hranie. Zvýšená opatrnosť je potrebná v blízkosti malých detí.
- Toto zariadenie nie je určené na používanie ľuďmi so zníženou fyzickou, psychickou alebo mentálnou schopnosťou /vrátane detí/ alebo bez skúseností či vedomostí, pokiaľ im nebude daná inštrukcia ľuďmi, ktorý sú za nich zodpovední.
- Používajte len ako je uvedené v návode. Používajte len s výrobcom odporúčanými súčastami.
- Nepoužívajte s poškodeným káblom alebo zásuvkou. Ak centrálny vysávač nepracuje tak ako má, bol poškodený, ponechaný vonku alebo spadol do vody vráťte ho do servisného strediska.
- Spojte len so správne uzemneným výstupom (viď uzemňovacie inštrukcie).

- Nemanipulujte s káblom alebo výstupmi s neadekvátnou silou.
- Vypnite predtým ako ho odpojíte zo siete.
- Neopájajte ťahaním za kábel. Pre odpojenie vyťahnite káble so zásuvky.
- Nechytajte káble alebo zásuvku mokrými rukami.
- Nestrkajte do otvorov žiadne predmety. Nepoužívajte ak je nejaký otvor zablokovaný, udržiavajte bez prachu, vlasov alebo čohokoľvek čo môže redukovať sací ťah.
- Tento centrálny vysávač vytvára saciu silu. Udržujte vlasy, oblečenie, prsty alebo iné časti tela mimo zásuviek /otvorov/ a hýbajúcich sa častí.
- Nevysávajte nič horiace alebo dymiace, ako sú cigarety, zápalky alebo ohorky od cigariet.
- Dávajte si pozor pri upratovaní na schodoch.
- Nevysávajte zápalné alebo horľavé látky ako napr. benzín alebo nevysávajte v priestore kde by sa mohli vyskytovať.
- Udržujte si vaše pracovisko dobre osvetlené.
- Odpojte od prúdu elektrické prístroje pred tým ako z nich povysávate prach.
- Ak je el. šnúra poškodená musí byť vymenená. Náhradný el. kábel je dostupný u autorizovaného predajcu.
- Nepoužívajte bez prachových vreciek alebo správne osadených filtrov.

USCHOVAJTE SI TIETO INŠTRUKCIE

VŠEOBECNÉ INFORMÁCIE

Centrálny vysávač je určený k vysávaniu suchých nečistôt a prachu v domácnostiach. Nie je určený k vysávaniu tvrdých a ostrých predmetov a častí, ktoré by mohli upchať alebo poškodiť hadicu alebo plastový rozvod.

Tento manuál popisuje finálnu inštaláciu agregátu v domácnosti. Manuál poskytuje dôležité informácie pre údržbu systému, zisťovanie chýb a ich odstraňovanie v prípade, že sa nejaká chyba vôbec vyskytne. Ak sú potrebné ďalšie informácie ohľadne inštalácie celého systému, popr. technické špecifikácie, kontaktujte autorizovaného obchodného zástupcu alebo distribútora.

INŠTALAČNÉ OCHRANNÉ POMÔCKY

V prípade inštalácie vlastnými silami je doporučené používať ochranné bezpečnostné pomôcky ako je helma, rukavice, ochranné okuliare a prípadne chrániče sluchu.



UPOZORNENIE

Pri vrtaní do podláh a stien dbajte na zvýšenie opatrnosti, aby nedošlo k prípadnému poškodeniu už prevedených inštalácií, napr. elektrických rozvodov, vedenia plynu, vody, kúrenia, vzduchotechniky a pod.

Ak potrebujete ďalšie informácie ohľadne výrobku, náhradných dielov, servisu a záruky, kontaktujte autorizovaného dodávateľa systému.

UZEMNENIE:

Agregát musí byť napojený na uzemňovaciu sieť pre prípad náhleho poškodenia alebo chyby. Zariadenie je dodávané s káblom spĺňajúcim požiadavky na pripojenie na uzemňovaciu sieť. Elektrický kábel musí byť vždy napojený na uzemnenú elektrickú zásuvku spĺňajúcu predpisy a požiadavky na uzemnenie podľa noriem STN.

UPOZORNENIE

Nesprávne alebo chybné zapojenie alebo prevedenie uzemnenia môže viesť k úrazu elektrickým prúdom. V prípade akýchkoľvek pochybností, alebo ak nie je možné zapojiť zástrčku do zásuvky, nechajte si elektroinštaláciu a uzemnenie zásuvky skontrolovať odbornou osobou.

Nikdy nerobte akúkoľvek úpravu na dodanej zástrčke.

UPOZORNENIE

Ak je prívodný elektrický kábel poškodený, nahradte ho novým od autorizovaného obchodného zástupcu.

SERVISNÉ INFORMÁCIE

Inštrukcie uvedené v tomto návode slúžia k robeniu bežnej kontroly a údržby systému. Pre získanie podrobnejších informácií kontaktujte svojho obchodného zástupcu.

VÝKONNOSTNÝ ŠTÍTOK

Model, typ a sériové číslo je uvedené na štítku umiestnenom na telese alebo viečku agregátu. Pre rýchlejšiu identifikáciu a riešenie servisu uvádzajte vždy tieto hodnoty pri kontakte so servisným strediskom.

UPOZORNENIE

Nedodržanie bezpečnostných odporúčaní môže viesť i k úrazu spôsobenému nesprávnym alebo chybným používaním.

ROZMERY

(viď. str.7/obr.1)

NAKLADANIE S ELEKTROODPADOM



Uvedený symbol (umiestnený na štítku) znamená, že daný tovar sa má pri likvidácii predať do príslušných zberných dvorov k recyklácii použitých materiálov. Správnu likvidáciu výrobku sa chráni životné prostredie. Pri nakladaní s elektroodpadom je potrebné postupovať podľa zákona č. 223/2001 Z.z.

Naša spoločnosť je registrovaná v Združení výrobcov elektrospotrebičov pre recykláciu ENVIDOM, ktorý je povinný zabezpečiť nakladanie s elektroodpadom podľa zákona o odpadoch č. 223/2001 Z.z.

INŠTALÁCIA

Ak je váš dom/byt už vybavený rozvodom a zásuvkami centrálného vysávača, je možné prikrčiť k inštalácii agregátu. Ak nie je urobený rozvod potrubia pre centrálny vysávač, môžete si nechať urobiť potrubný rozvod pre centrálny vysávač autorizovaným obchodným zástupcom, alebo si môžete inštaláciu rozvodu previesť sami.

Agregát centrálného vysávača sa väčšinou umiestňuje do miest vzdialených od obývacích priestorov a spální, tak aby bol ľahko prístupný pre kontrolu funkcií a bola možná dobrá manipulácia s prachovým vedrom a filtrom pri jeho prípadnom čistení. Ideálnym priestorom je garáž, v ktorej je možné vysávač taktiež využiť pre upratovanie automobilu, technickej miestnosti, pivnice alebo inej suchej prípadne vetranej miestnosti.

UPOZORNENIE

Pri vrtaní stien dbajte na zvýšenú opatrnosť, aby nedošlo k poškodeniu inštalácií v stene, napr. el. rozvodov, rozvodov plynu, vody, kúrenia a pod. V prípade vrtania v murovaných objektoch dbajte, aby nebola narušená statika objektu alebo akokoľvek znížená nosnosť stien. V drevených objektoch by otvory mali byť vrtané.

V závislosti na materiály steny použite pre zavesenie agregátu vhodné skrutky a hmoždinky. Vlastný agregát je zasunutý na pevne uchytenú dosku na stene.

(viď. str.7/obr.3)

- Agregát umiestňujte mimo obytné priestory. Výfuk agregátu by mal byť napojený na výfukové potrubie ukončené spravidla na fasáde výfukovou krytkou.

- Vodiče ovládacieho 24V rozvodu by mali byť vedené súbežne s potrubným rozvodom vysávača. Izolácie zbavené konce vodičov sa pripoja do pružinových konektorov na agregáte. Všetky práce a materiály el. inštalácie musia spĺňať platné predpisy STN.

(viď. str.7/obr.4)

- V blízkosti agregátu by mala byť el. zásuvka najlepšie samostatne istená 230V/16A.

- Agregát pripojte k el. sieti káblom, ktorý je súčasťou dodávky.

Agregát Electrolux Oxygen nevyžaduje montáž externého tlmiča. Tlmič výfuku je integrovaný v hornej časti agregátu. Pre napojenie výfuku na výfukové potrubie je nutné použiť priložený adaptér - prechodka na priemer štandardného rozvodu. (viď. str.7/obr.5)

- Umiestnenie agregátu a trasa výfuku by mala byť tak, aby výfukové potrubie bolo čo najkratšie. Dĺžka výfukového potrubia by nemala prekročiť dĺžku 5 m.

- Umiestnenie agregátu by malo umožniť pohodlnú manipuláciu s prachovým vedrom. (viď. str.7/obr.6)

- Pripojte agregát na potrubný rozvod. Miesto spojenia NELEPTE pre prípad nutnosti odpojenia agregátu a zvesenia zo steny. Pomocou adaptéra pripojte agregát tiež k výfukovému potrubiu, ani tento spoj NELEPTE.

Pozn.: Pri umiestňovaní agregátu by okolo neho mal zostať určitý voľný priestor – nad agregátom a od steny alebo inej prekážky vzdialenosť min. 30 cm a vzdialenosť od podlahy min. 70 cm. Elektrická zásuvka by mala byť od agregátu vzdialená max. 1,8 m. Vždy dodržujte platné predpisy STN pre umiestnenie agregátu.

(vid. str.7/obr.2)

UPOZORNENIE

Nezakrývajte ani neobmedzujte výfukové otvory v horných častiach agregátu. Nedostatočné chladenie môže spôsobiť prehriatie motoru.

UPOZORNENIE

Neumiestňujte agregát do miestnosti s vyššou teplotou, vysokou vlhkosťou alebo v priestoroch s obmedzeným prístupom, napr. pod strechou, v neprístupných suterénoch a pod. V prípade potreby môže byť vysávač Electrolux-Oxygen vybavený HEPA filtrom. Kontaktujte svojho dodávateľa. HEPA filter sa zasunie do výfukového otvoru.

(vid. str.7/obr.7)

KONTROLA SYSTÉMU

Všetka elektroinštalácia musí zodpovedať platným predpisom a normám STN. Zapojte agregát do elektrickej siete.

- Skontrolujte umiestnenie filtra v agregáte.
- Skontrolujte osadenie prachového vedra.
- Zasuňte hadicu (a ak má hadica vypínanie na rukoväti, zapnite ju) do každej zásuvky vášho rozvodu, pre kontrolu zapnutia vysávača.
- Skontrolujte tesnosť zásuviek.
- Skontrolujte tesnosť potrubného rozvodu.

(vid. str.7/obr.8)

AKO SPRÁVNE POUŽÍVAŤ CENTRÁLNY VYSÁVAČ

Pri používaní hadice s vypínaním je váš vysávač zapnutý po zasunutí hadice do zásuvky a prepnutí do polohy ON.

Ak chcete ukončiť vysávanie, prepnite spínač do polohy OFF a vytiahnite hadicu zo zásuvky. Pri vyťahovaní hadice pridržiňte kryt zásuvky po dobu niekoľkých sekúnd otvárania, aby došlo k zníženiu prúdenia, chráňte tak tesnenie zásuviek.

(vid. str.7/obr.8)

LED INDIKÁCIA - PREVEDENIE PODĽA TYPU AGREGÁTU

Agregát môže zobrazovať niektoré, popr. všetky z nasledujúcich symbolov.

(vid. str.7/obr.9)



ON/OFF



Závada motora



Plné prachové vedro



RESET

Niektoré modely sú vybavené farebným LED panelom. Panel poskytuje dôležité informácie o priebehu vysávania, nutnosti údržby a stave agregátu.

NORMÁLNY STAV

Ak je agregát vypnutý a je v stave pohotovostného režimu (stand-by), LED tlačidlo svieti na červeno.

Ak je agregát v chode, LED tlačidlo svieti na zeleno.

Ak svieti symbol „porucha motora“, sledujte ďalšiu kapitolu návodu.

Ak svieti symbol „plné prachové vedro“, vyprázdnite nádobu a stlačte tlačidlo RESET asi po dobu 10 s.

ZÁVADA MOTORA

Ak dôjde k preťaženiu motoru a aktivácii ističa, agregát sa zastaví, symbol ON/OFF bude trvalo zelený. V prípade, že dôjde k zastaveniu z dôvodu prúdového preťaženia, symbol ON/OFF bliká (prerušovane svieti) na červeno. Zelené svetlo bude blikáť, symbol „porucha motora“ bude blikáť na oranžovo. Po 15 sekundách (ak je hadica vypnutá) dôjde automaticky k reštartu.

V prípade, že ide o trvalý stav prúdového preťaženia a je zapnuté vysávanie, symbol ON/OFF bude trvale červený, zelené svetlo bude pomaly blikáť a symbol „porucha motoru“ bude pomaly blikáť na oranžovo.

V prípade chybných frekvencií v sieti sa agregát nezapne a symbol ON/OFF bude trvale svietiť na červeno. V prípade prepätia v sieti symbol ON/OFF bude trikrát striedavo blikáť na červeno a zeleno. (alebo 1x červená a potom 3x zelená opakovane). Tento cyklus bude prebiehať do tej doby, pokiaľ dôjde k návratu napätia na štandardné hodnoty.

LCD OBRAZOVKA - LEN U VYBRANÝCH MODELOV

(VIĎ. STR.7/OBR. 8)



Na hlavnom displeji LCD obrazovky je zobrazené logo Electrolux. Logo sa môže pomaly pohybovať z pravej strany do ľavej strany, režim šetriaci obrazovku. Ak je agregát v režime stand-by, logo Electrolux je zobrazené na displeji.

Prvé tlačidlo vľavo pod LCD displejom spúšťa a vypína agregát manuálne.

Tlačidlo na agregáte môže byť použité na zapnutie agregátu. Stlačením tlačidla prepínate jednotku na zapnutú / vypnutú. (on/off). Jednotka môže byť zapnutá aj z akejkoľvek inštalovanej zásuvky. Ak je vaša LCD jednotka mimo prevádzky /v pokojovom režime/, štyri svetlá na vašom LCD displeji budú svietiť postupne v sekvenciách zľava doprava a následne opačne sprava doľava. Toto sa bude opakovať kontinuálne a indikuje, že vaša jednotka je pripravená k použitiu a je plne funkčná.

POČAS VYSÁVANIA



Ak je agregát v chode, symbol hlavného spínača svieti zeleno. Na displeji sa zobrazia štyri stĺpce stĺpcového grafu. Vysávač pracuje štandardne, ak sú zobrazené všetky 4 stĺpce. V prípade, že sú trvale zobrazené len dva alebo menej stĺpcov, je nutné previesť kontrolu systému. Možnou príčinou zníženého zobrazenia výkonu môže byť:


1. Značne znížený alebo blokováný otvor na hadici.
2. Upchaté potrubie.
3. Je práve používané príslušenstvo s obmedzeným vstupom, napr. štrbinová kefa.
4. Úplne naplnené prachové vedro.
5. Zanesený filter.

VYPRÁZDNENIE PRACHOVÉHO VEDRA



Po každých 25 hodinách vysávania (približne po 6 mesiacoch) sa zobrazí vyššie uvedený symbol a bude blikať. Zobrazený symbol upozorňuje na nutnosť kontroly zaplnenia a vysypania prachového vedra. Táto indikácia je založená na časovom hľadisku. Po tejto dobe môže byť vedro poloprázdne, alebo naopak celkom plné. V prípade, že sa vysáva častejšie alebo je viac nečistôt z dôvodu upratovania domácej dielni alebo prítomnosť domácich miláčikov, sa do poručuje vyprázdňovať prachové vedro častejšie.

Po vysypaní prachového vedra stlačte tlačidlo „späť“. Po jeho stlačení dôjde k vynulovaniu počítadla 25 hodinového cyklu. Hodnota počítadla sa nuluje vypnutím agregátu a vypojením zo siete.

Vynulovanie počítadla symbolu „vyprázdnenie prachového vedra“ sa robí stlačením tlačidla „Enter“ po dobu 10 sekúnd. 

CELKOVÝ PREVÁDZKOVÝ ČAS



Počítadlo celkovej prevádzkovej doby zobrazuje 8 stĺpcov. Ak nie je zobrazený ani jeden stĺpec, doporučuje sa nechať si agregát skontrolovať autorizovaným servisom. Jeden stĺpec reprezentuje 65 hodín vysávania. Reštart tohto počítadla musí byť prevedený autorizovaným servisom. V prípade prerušenia napájania alebo odpojením agregátu zo siete sa tieto hodnoty zachovávajú.

NUTNOSŤ PREVEDENIA SERVISU



Ak príde k systémovej chybe alebo chybnému chodu agregátu, uvedený symbol blikať. Ak sa objaví tento symbol, doporučujú sa nasledujúce kroky:

- Vypnúť vysávač
- Odpojiť agregát od elektrickej siete aspoň na 10 sekúnd
- Zapojiť agregát späť do el. siete

Ak sa aj potom zobrazí symbol „servisného kľúča“, kontaktujte servisnú organizáciu. Symbol kľúča sa môže zobraziť z nasledujúcich príčin:


- Chyba motora
- Problém s elektronikou


• Výrazné výkyvy hodnôt napätia a prúdu od bežných hodnôt.

• Agregát nereaguje na elektroniku.

PRECHÁDZANIE MENU



Ak nie je agregát práve v prevádzke je možné prechádzať menu a zobraziť symboly „celkový prevádzkový čas“, „zaplnenie prachového vedra“, „posledný výkon motora“, „hodnoty zanesenia filtra“. Pre prepínanie medzi symbolmi používame tlačidlá so šípkami. 

Prvý symbol pre stlačenie pravej šípky znamená „celkový prevádzkový čas“, ďalší je stav „zaplnenia prachového vedra“, nasleduje „výkon motora pri poslednom vysávaní“, na konci sa zobrazí „telefónne číslo na servisnú organizáciu“. 

ADAPTÉR PRE POUŽITIE PRACHOVÝCH VREČIEK

Agregáty Electrolux Oxygen je možné osadiť papierovými vreckami, ktoré umožňujú príjemnejšie odstraňovanie nečistôt. Pre používanie a manipuláciu s papierovými vreckami čítajte kapitolu ÚDRŽBA FILTRA – PAPIEROVÉ VREČKÁ.

(viď. str.7/obr.10)

OBSLUŽNÝ VENTIL

Tento ventil má rovnakú funkciu ako bežná vysávačová zásuvka, je však umiestnený v tesnej blízkosti agregátu. Takto umiestnený ventil umožňuje upratovanie v okolí agregátu, predovšetkým vysávanie prachu.

TEPELNÁ OCHRANA

Ak je elektronickou doskou zaznamenaný nárast teploty, agregát sa zastaví a LED prestane svietiť, u agregátov s LCD obrazovkou bude obrazovka blikať. Ak nastane táto situácia, stlačte hlavné tlačidlo „ON/OFF“, vyberte hadicu a počkajte, pokiaľ nedôjde k poklesu teploty. V prípade, že problém pretrváva, kontaktujte servisnú organizáciu.

(viď. str.7/obr.9)

OCHRANA PRED PREŤAŽENÍM

Agregáty Electrolux Oxygen sú vybavené elektronikou, ktorá trvale monitoruje hodnoty napätia a prúdu.

Ak dôjde k nárastu alebo zníženiu napätia oproti štandardným hodnotám, k nárastu prúdu alebo zablokovaniu motora, agregát sa automaticky zastaví. V takom prípade začne blikať tlačidlo „ON/OFF“ počas celej doby trvania problému; u modelu s LCD obrazovkou táto bliká. Ak pretrváva tento problém, kontaktujte servisnú organizáciu. Doba k ochladeniu systému (návrat na štandardnú teplotu) je cca. 30 minút.

(viď. str.7/obr.9)

DIAGNOSTIKA A ÚDRŽBA

Znížený prietok vzduchu alebo nízky podtlak znamená, že agregát nepracuje s maximálnou účinnosťou. Ak je úplne plné prachové vedro a zanesený filter, neprúdi agregátom vzduch a to znamená, že nie je možné vysávať. Odporúčenia uvedené v tomto manuáli slúžia k robeniu bežnej kontroly a údržby systému centrálného vysávača. Zodpovedajúci podtlak a prúdenie vzduchu je možné dosiahnuť a udržať pravidelným vysypávaním vedra, popr. čistením filtra. Celý systém potom pracuje s maximálnou účinnosťou, nedôjde k zaneseniu potrubia ani hadice.

VYSYPÁVANIE PRACHOVÉHO VEDRA

Väčšina modelov Electrolux Oxygen má prachové vedro s priehľadným okienkom umožňujúcim rýchlu vizuálnu kontrolu naplnenia vedra. Väčšinou postačuje vysypanie prachového vedra 2- až 3-krát ročne. Odpojenie vedra sa robí súčasne so zatlačením tlačidiel na oboch stranách vedra. Vysypte vedro a nasadte späť na teleso agregátu tak, aby obe spony boli zaistené. Ubezpečte sa, že vedro zacvaklo správne a že je dobre zaistené oboma sponami.

(viď. str.7/obr.11)

ÚDRŽBA FILTRA

Exkluzívny filtračný systém agregátu Electrolux Oxygen je samočistiaci a nevyžaduje špeciálnu údržbu alebo výmenu. V prípade dotazov týkajúcich sa filtra, kontaktujte autorizovaného dodávateľa.

PAPIEROVÉ VRECKÁ - VOLITEĽNÉ

Objem papierových vreciek je 22 litrov. Naplnené papierové vrecko znižuje účinnosť vysávania. V závislosti na celkovom počte a celkovej dobe vysávania môže byť výmena vreciek až 3-krát ročne. Vrecká dodáva autorizovaný dealer.

VÝMENA VRECIEK

1. Zložte vedro z agregátu.
2. Uvoľnite papierové vrecko z prírodnej trubky, vyberte a odstráňte.
3. Nasuňte pevne nové vrecko na prírodnú trubku, pootočte vstupom vrecka pre ľahšie nasunutie.
4. Nasadte späť prachové vedro tak, aby dosadli obe spony.

POKIAĽ NIE STE SPOKOJNÝ S KVALITOU VYSÁVANIA, PREVEĎTE NÁSLEDUJÚCE DOPORUČENIE SKÔR, AKO BUDETE KONTAKTOVAŤ SERVIS.

ČIASTOČNÁ, ALEBO ÚPLNÁ STRATA SANIA

- Skontrolujte osadenie vedra – tesnenie a zaistenie sponami.
- Vyprázdňte prachové vedro.
- Vyčistite popr. zbavte filter častíc, ktoré sa prichytili na povrchu filtra.
- Skontrolujte tesnosti všetkých zásuviek a VacPanu.

UPCHATÉ POTRUBIE ALEBO UPCHATÁ HADICA

Zapojte hadicu do zásuvky a zapnite vysávač. Ak je satie veľmi slabé, popr. žiadne i po zapojení hadice do ostatných zásuviek, je problém pravdepodobne v hadici. K vyčisteniu hadice použite napr. tupý predmet, alebo sa blokujúci predmet pokúste uvoľniť spätným vysávaním.

(viď. str.7/obr.12-13)

Pokiaľ pri teste hadíc zistíte obmedzené, alebo žiadne satie z jednej zásuvky, je upchané potrubie na trase medzi touto zásuvkou a agregátom. Zapojte hadicu do tejto zásuvky (s obmedzeným saním), zapnite vysávač a upchajte napr. rukou sací otvor na hadici, pridržte niekoľko sekúnd a náhle uvoľnite. Postup niekoľkokrát opakujte. Ak nepríde po tejto akcii k uvoľneniu zaneseného potrubia, kontaktujte dodávateľa systému.

AGREGÁT SA NEZAPNE

- Skontrolujte, či je zapnutý hlavný istič zásuvkového okruhu.
- Skontrolujte správny kontakt 24V ovládacieho okruhu vo všetkých vysávačových zásuvkách.
- Ak nedôjde k rozbehnutiu agregátu, kontaktujte servisnú organizáciu.

AGREGÁT STÁLE BĚŽÍ

- Skontrolujte kontakty vo všetkých zásuvkách, či tu nezostal predmet spájajúci kontakty 24V okruhu. Ak nie je vizuálne zistená akákoľvek prekážka, vypnite vysávač odpojením kábla 230V od el. siete a kontaktujte servisnú organizáciu.

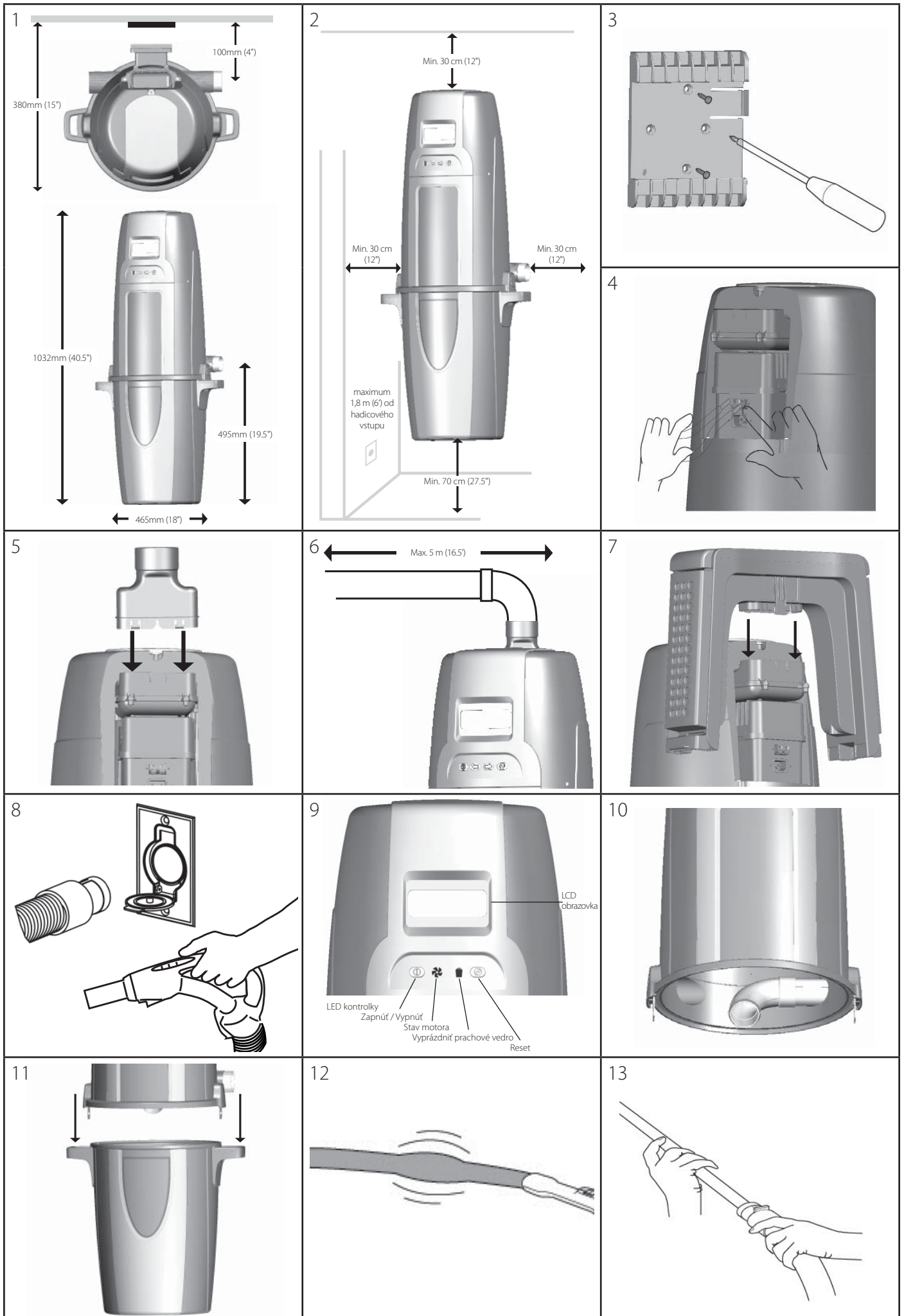
AGREGÁT SA SÁM ZASTAVÍ

- Odpojte hadicu z hadicovej zásuvky vysávača a zasuňte späť. Vypnite a opäť zapnite kolískový vypínač na rukoväti hadice.

Odporúčame prečítať kapitolu „Ochrana pred preťažením“.

ZÁRUKA

Záruka je zaistená servisnou organizáciou. V prípade otázok ohľadne záručného servisu kontaktujte dodávateľa/obchodného zástupcu.



Önemli Emniyet Bilgileri.....	2
Genel Bilgi	3
Montaj.....	3
Sistem Testi	4
Nasıl kullanılır?	4
LED'li Göstergeler	4
LCD Ekran	4
Torba Adaptörü	5
Kullanım Vanası.....	5
Aşırı Isınma Koruması	5
Aşırı Yük Koruması.....	5
Tanılama ve Bakım	5
Filtre Bakımı	6
Kağıt Torba Filtre	6
Sorun Giderme	6
Resimler	7

İÇİNDEKİLER

Merkezi vakum sisteminiz aşağıdaki öğeleri içermektedir.



ÖNEMLİ EMNİYET BİLGİLERİ

Bir elektronik cihaz kullanırken, aşağıdaki dahil olmak üzere temel önlemlere her zaman uyulmalıdır:

BU VAKUMLU TEMİZLEYİCİ SİSTEMİNİ KULLANMADAN ÖNCE TÜM YÖNERGELERİ OKUYUN.

Bu merkezi vakum güç ünitesi normal evsel tozları temizlemek için tasarlanmıştır.

UYARI !

Yangın, elektrik çarpması veya yaralanma riskini azaltmak için:

- Dış mekanlarda veya ıslak yüzeylerde kullanmayın.
- Motor kapağını veya havalandırma deliklerini ve güç ünitesinin tepesindeki kanalı kapatmayın. Havalandırma havası akışının yetersiz olması motorun aşırı ısınmasına yol açar.
- Güç ünitesini, yüksek sıcaklıkta bir yere veya çatı arası veya alçak tavanlı bir yer gibi erişilemez bir konuma koymayın.
- Güç ünitesini tavadan veya herhangi bir komşu duvardan minimum 30 cm uzağa veya zeminden en az 70 cm uzağa monte edin. Ayrıca, uygulanabilir yerel yönetmeliklere ve düzenlemelere de dikkat edin.
- Bir oyuncak gibi kullanılmasına izin vermeyin. Çocukların yakınında kullanılırken yakın gözetim gereklidir.
- Emniyetleri için sorumlu bir kişi tarafından gözetilemedikleri ve bu cihazın kullanımıyla ilgili talimatlar veren biri olmadığı sürece, bu cihaz, fiziksel, algısal veya zihinsel yetenekleri azalmış (çocuklar dahil) veya deneyimsiz ve bilgisiz kişiler tarafından kullanıma uygun değildir.
- Sadece bu kılavuzda belirtildiği şekilde kullanın. Sadece üreticinin önerdiği ek parçaları kullanın.
- Kabloyu veya fişi hasarlı cihazı kullanmayın. Vakumlu temizleyici gerektiği gibi çalışmıyorsa, düşürülmüşse, hasarlıysa, dış mekanda bırakılmışsa veya suya düşürülmüşse, cihazı yerel bir yetkili satıcıya/distribütöre götürün.
- Sadece düzgün olarak topraklanmış bir prize bağlayın (topraklama yönergelerine başvurun).
- Uygun olmayan akım taşıma kapasitesine sahip uzatma kabloları veya prizler kullanmayın.
- Fişi çıkartmadan önce tüm kumandaları kapatın.
- Fişi kablodan çekerek çıkartmayın. Fişi çıkartmak için, kablodan değil fişten tutun.
- Kabloyu veya fişi ıslak elle tutmayın.
- Deliklere herhangi bir nesne sokmayın. Herhangi bir delik kapalıysa kullanmayın; toz, tüy, saç ve hava akışını azaltabilecek her şeyi uzak tutun.
- Bu vakumlu temizleyici emme oluşturur. Saçları, bol giysileri, parmakları ve vücudun tüm kısımlarını deliklerden ve hareketli parçalardan uzak tutun.
- Sigara, kibrit veya sıcak kül gibi yanmakta veya duman çıkarmakta olan hiçbir şeyi almayın.
- Merdivenleri temizlerken ekstra dikkatli olun.
- Benzin gibi alev alabilir veya yanabilir sıvıları almayın veya bunların bulunabileceği yerlerde kullanmayın.
- Çalışma alanınızın iyi aydınlatılmasını sağlayın.
- Elektrikli cihazları vakumla temizlemeden önce fişlerini çekin.
- Ürünle verilen güç kablosu hasar görmüşse, yerel bir yetkili satıcı/distribütör tarafından değiştirilmelidir.
- Toz torbası ve/veya filtre yerine takılı değilken kullanmayın.

BU YÖNERGELERİ SAKLAYIN

GENEL BİLGİ

Merkezi vakum sistemi evsel kir ve tozu almak için tasarlanmıştır. Hortum ve plastik borunun hasar görmesini veya tıkanmaları önlemek için, bu sistemle sert ve keskin nesnelere almaktan kaçının.

Bu kılavuz güç ünitesinin evinize kurulumunun son adımlarını kapsamaktadır. Aynı zamanda, bakım ve karşılaşılması pek olası olmasa bile sorun gidermeyle ilgili gerekli bilgileri de içermektedir. Kurulum hakkında daha fazla bilgiye ihtiyacınız veya ürünle ilgili sorularınız için lütfen yerel yetkili satıcınızla/distribütörle temasa geçin.

MONTAJ EMNİYET EKİPMANLARI

Duvar hazırlıkları ve kapak hazırlıkları için, baret, eldiven, koruyucu gözlük ve koruyucu kulaklık gibi emniyet ekipmanlarının kullanılması önerilir.



DİKKAT



İçinde gaz boruları, su boruları veya elektrik kabloları bulunabileceği için, duvarlara delik açarken dikkatli olun.

Ürün, yedek parçalar, servis, garanti veya diğer herhangi bir konuyla ilgili sorularınız varsa lütfen yerel yetkili satıcınızla/distribütörle temasa geçin.

TOPRAKLAMA YÖNERGELERİ

Bu cihaz topraklanmalıdır. Fiş, düzgün monte edilmiş ve yerel kurallara ve düzenlemelere göre topraklanmış uygun bir prize takılmalıdır. Bu cihaz ekipmanı topraklayan bir iletken sahne ve bir topraklı fişli kabloyla donatılmıştır. Fiş, düzgün monte edilmiş ve yerel kurallara ve düzenlemelere göre topraklanmış uygun bir prize takılmalıdır.

UYARI



Ekipmanı topraklayan iletkenin düzgün bir şekilde bağlanmaması elektrik çarpmasına yol açabilir. Prizin düzgün topraklanmış olup olmadığı veya fişin bir prize uyup uymadığı hakkında tereddütünüz varsa, uzman bir elektrik teknisyeni veya servis personeline kontrol ettirin. Cihazla verilen fiş üzerinde değişiklik yapmayın.

UYARI



Ürünle verilen besleme kablosu hasar görmüşse, yerel bir yetkili satıcı/distribütör tarafından özel bir kabloyla değiştirilmelidir.

SERVİS BİLGİLERİ

Bu kitapçıktaki yönergeler rutin bakım için bir kılavuz görevi görür. Daha fazla bilgi almak için, en yakın yetkili satıcı/distribütör ile temasa geçin.

ANMA DEĞERLERİ PLAKASI

Model tipi ve seri numaraları, kumanda panelindeki veya motor kapağındaki anma değerleri plakasında gösterilmiştir. Hızlı ve eksiksiz hizmet almak için, servis taleplerinizde her zaman bu numaraları bildirin.

UYARI



Emniyet yönergelerine uyulmaması yaralanmalara yol açabilir.

ÜRÜN BOYUTLARI

Bkz sayfa 7 - Resim 1

ELEKTRİKLİ VE ELEKTRONİK EKİPMAN ATIKLARI (WEEE)



Ürünün veya ambalajının üzerindeki bu simge, bu ürünün evsel atık olarak muamele görmemesi gerektiğini gösterir. elektronik ve elektrikli ekipmanların geri dönüşümü için uygun toplama noktasına teslim edilmelidir. Bu ürünün doğru bir şekilde elden çıkartılmasını sağlayarak, bu ürün uygun olmayan bir şekilde elden çıkartıldığında oluşabilecek çevre ve insan sağlığı üzerindeki olası olumsuz etkilerin önlenmesine yardımcı olursunuz. Bu ürün hakkında daha fazla bilgi almak için, yerel atık toplama kuruluşuna veya bu ürün satın aldığınız mağazaya danışın.

MONTAJ

Eviniz muhtemelen plastik borular ve giriş vanalarıyla donatılmıştır ve de merkezi güç ünitesinin kurulmasına hazırdır. Eviniz bir merkezi vakum sistemiyle donatılmıyorsa, Electrolux merkezi vakum sisteminin bir profesyonel tarafından kurulması için yerel satıcınızla veya distribütörle anlaşma yapabilir veya kendiniz kurmayı seçebilirsiniz.

Merkezi güç ünitesi sistemi, genel yaşama alanında uzağa yerleştirilmelidir; fakat kir tutucusunu sökebilmeniz, filtreye erişebilmeniz ve merkezi güç ünitesini kontrol edebilmeniz için erişilebilir olmalıdır. Tipik bir konum, aracınızı veya garajınızı vakumla temizleyebileceğiniz, kir tutucuyu daha kolayca boşaltabileceğiniz ve filtreyi temizleyebileceğiniz bir yer olan garajdır. Uygun başka konumlar bodrum katları, çamaşır odaları veya havalandırma depo odaları olabilir.

DİKKAT



İçinde gaz boruları, su boruları veya elektrik kabloları bulunabileceği için, duvarlara delik açarken dikkatli olun. Tuğla duvarlara delik açılmasına ancak duvarın statik dengesi etkilenmediğinde izin verilebilir. Tahta kirşlere delikler matkapla açılmalıdır. Güç ünitesini asmak için evinizin inşa edildiği malzemelere uygun ankraj elemanları kullanın. Güç ünitesi montaj mesnetinin üzerinde kolayca kayar ve yerine bir tık sesiyle oturur.

Bkz sayfa 7 - Resim 3

- Merkezi güç ünitesini genel yaşama alanına uzak olan bir yere yerleştirin. Egzoz havalandırma borusuna kolayca bağlanabilmelidir. Bu, evin yapı malzemelerinden bağımsız olarak gerçekleştirilebilir.
- İki alçak gerilim kablosunu ana borunun yakınına yerleştirin. Düşük gerilim kablosunu yalıtımını ayırın. Düşük gerilim kablosunu yaylı düşük gerilim konektörlerine yerleştirin. Yerel elektrik yönetmeliklerine ve düzenlemelerine uduğunuzdan emin olun.

Bkz sayfa 7 - Resim 4

- Güç ünitesi için özel bir elektrik prizi bulunduğundan emin olun.
- Merkezi vakum sisteminizi ürünle verilen güç kablosuyla bağlayın.

Electrolux Oxygen merkezi vakum sisteminiz bir susturucunun monte edilmesini gerektirmez. Merkezi vakum sisteminizin içinde zaten bir susturucu bulunmaktadır. Fakat yinede havanın dışarı atılmasını isteyebilirsiniz. Bu durumda bir egzoz adaptörü eklemeniz gerekir. Bu adaptör egzozun çapını merkezi vakum borusunun çapına dönüştürür.

Bkz sayfa 7 - Resim 5

- Güç ünitesini, egzoz borusu mümkün olduğunca kısa olacak şekilde yerleştirin. Egzoz 5 metreden uzun olmamalıdır.
- Kir tutucuya erişebilmemiz için merkezi ünitenin yanlarında boşluk kalması gerektiğini unutmayın.

Bkz sayfa 7 - Resim 6

- Güç ünitesinin giriş tesisatını duvardan çıkan ana hatla hizalayın. **TUTKALLAMAYIN.** Hava dışarı atılacaksa egzoz borusunu motorun egzozuna bağlayın. Egzoz borusunun mümkün olduğunca kısa olmasını sağlayın.

NOT: Merkezi üniteyi tavandan veya herhangi bir komşu duvardan en az 30 cm, yerden 70 cm ve de bir elektrik prizinden azami 1,8 m uzağa monte edin. Uygulanabilir yerel düzenlemelere dikkat edin.

Bkz sayfa 7 - Resim 2

UYARI

Güç ünitesinin tepesindeki havalandırma deliklerini kapatmayın. Havalandırma havasının yetersiz olması motorun aşırı ısınmasına yol açar.

UYARI

Merkezi güç ünitesini, yüksek sıcaklıkta bir yere veya çatı arası veya alçak tavanlı bir yer gibi erişilemez bir konuma koymayın.

Hava kontrolünde en iyisi olan gerçek HEPA filtresi, güç ünitesi seçiminizde eklenebilir veya yetkili bir satıcı/distribütörden satın alınabilir. Gerçek HEPA filtresini gösterildiği biri takmanız yeterlidir.

Bkz sayfa 7 - Resim 7

SİSTEM TESTİ

Yerel elektrik yönetmeliklerine ve düzenlemelerine uyduğunuzdan emin olun. Üniteyi normal bir elektrik prizine bağlayın. Artık ünitenin kurulumunu kontrol etmeye hazırsınız:

- Filtrenin güç ünitesine doğru bağlandığından emin olun.
- Kir tutucunun güç ünitesine doğru sabitlendiğinden emin olun.
- Elektrik kontaklarının doğru çalıştığından emin olmak için hortumu her bir giriş vanasına bağlayın.
- Her vanada hava sızıntısı kontrolü yapın.
- Her boru bağlantısında hava sızıntısı kontrolü yapın.

Bkz sayfa 7 - Resim 8

MERKEZİ VAKUM SİSTEMİ NASIL KULLANILIR?

Merkezi vakum sisteminiz hortumunuzdaki bir anahtardan kontrol edilir. Hortumu vanaya yerleştirmeniz ve anahtarı açık konumuna getirmeniz yeterlidir. Bu, güç ünitesini ve akışını başlatacaktır.

İşiniz bittiğinde, hortumdaki anahtarı kapalı konumuna getirin ve hortumu hava giriş vanasından ayırın. Hortumu ayırırken, giriş vanasının contasını korumak üzere emmenin azalması için giriş kapağını birkaç saniye açık tutun.

Bkz sayfa 7 - Resim 8

LED'Lİ GÖSTERGELER - MODELE BAĞLI OLARAK OPSİYONELDİR

Makineniz, aşağıda belirtilen göstergelerin bazılarını veya tümüne sahip olabilir.

Bkz sayfa 7 - Resim 9



Açma/Kapatma

Motor Arızası

Kir Tutucu Dolu

Sıfırlama

Güç üniteniz renkli bir LED paneliyle donatılmıştır. Bu LED paneli güç ünitenizin performansı, bakımı ve tanınmasıyla ilgili gerekli bilgileri sağlar. Aşağıda güç ünitesinin verdiği çeşitli mesajların açıklamaları bulunmaktadır.

NORMAL ÇALIŞMA

Güç ünitesi kapalıysa ve bekleme modunda olduğu kabul edilirse, LED düğmesi KIRMIZI olur.

Güç ünitesi açıksa ve kullanımdaysa, LED YEŞİL olur. Motor arıza ışığının ne zaman yanacağıyla ilgili olarak aşağıdaki açıklamaya bakın. Kir tutucu ışığı yandığında kir tutucuyu boşaltın ve RESET düğmesini 10 saniye basılı tutun.

MOTOR ARIZASI

Bir sigortanın atması, motor kablosunun çıkması ve güç ünitesinin çalışmaması durumunda KIRMIZI, YEŞİL ve SARI ışıklar

Aşırı akımdan kapatması durumunda ON/OFF düğmesinin KIRMIZI ışığı yanıp söner, YEŞİL ışık hızlı yanıp söner ve MOTOR FAULT ışığı SARI renkte hızlı yanıp söner. Alçak gerilim bağlantısı hortumda KAPALIYSA bu arıza 15 saniye içinde otomatik olarak sıfırlanır. Devam eden bir aşırı akım kapatması ve düşük gerilim bağlantısının açık olması durumunda, ON/OFF düğmesinin KIRMIZI ışığı sürekli yanar, YEŞİL ışık yavaş olarak yanıp söner ve MOTOR FAULT ışığı yavaş olarak SARI renkte yanıp söner.

Pek olası olmasa da güç ünitesine kötü bir frekans gelmesi durumunda, güç ünitesi çalışmaz ve ON/OFF düğmesinin KIRMIZI ışık sürekli yanar. Güç ünitesine yüksek şebeke gerilimi gelmesi durumunda, ON/OFF düğmesinin ışığı KIRMIZI ve YEŞİL renkler arasında dönüşümlü olarak 3 kez yanar, kısa bir süre duraklar, KIRMIZI ve YEŞİL renkler arasında dönüşümlü olarak 3 kez yanar, kısa bir süre duraklar ve yeniden tekrarlar. Bu, şebeke gerilimi doğru düzeye geri gelinceye kadar sürer.

LCD EKРАН - OPSİYONEL



Bkz sayfa 7 - Resim 8

LCD'nin ana ekranında Electrolux logosu görüntülenir. Bu logo, görüntünün LCD ekrana kazanmaması için yanlara doğru kayabilir. Logoyu, güç ünitesini kullanılmadığında görürsünüz.

Ekranda Güç simgesinin hizasındaki düğme üniteyi etkinleştirmek için kullanılabilir. Üniteyi açmak/kapatmak için bu düğmeyi kullanın. Ünite, monte edilmiş herhangi bir girişten de etkinleştirilebilir.

LCD'li güç üniteniz bekleme modundayken, LCD'li ünitenizdeki dört beyaz ışık sırayla önce soldan sağa ardından da sağdan sola doğru yanar. Bu yanıp sönmeye şekli sürekli olarak tekrarlanır ve de güç ünitesinin kullanıma hazır olduğunu ve düzgün çalıştığını gösterir.

KULLANIMDA



Kullanımdayken güç göstergesi yeşile döner. Dört kademeli performans çubukları görüntülenir. Normal çalışan bir ünite performans çubuklarının dördü de yanmalıdır. Sürekli olarak 2 çubuktan az varsa sorunu incelemeniz gerekir. Performans çubuklarının azalmasının olası sebepleri şunlar olabilir:

1. Hortumun ucunda engellenmiş emme
2. Sistemde tıkanmış boru
3. Çatlak bir alet gibi havayı sınırlandıran bir aletin kullanılması
4. Dolu toz tutucu
5. Tıkanmış filtre sistemi

KİR TUTUCUYU BOŞALTMA



Her 25 çalışma saatinden sonra (yakl. 6 ay) ekranda Kir Tutucuyu Boşaltma göstergesi yanıp söner. Bu, kir tutucunun kontrol edilmesini ve boşaltılmasını hatırlatır. Zaman bazlı olduğu için, kir tutucunun çok boş veya çok dolu olmasıyla karşılaşabilirsiniz. Evcil hayvanlarınız, atölyeniz varsa veya daha sık atık oluşan başka etkenler bulunuyorsa, kir tutucuyu daha sık kontrol edin.

Kir tutucu boşaltıldıktan sonra 25 saatlik sayacı sıfırlamak için geri dönüş düğmesine basın. Güç beslemeniz kesilirse veya başka bir şekilde bağlantısı kesilirse, Kir Tutucuyu Boşaltma göstergesi bir önceki durumunu belleğinde tutar ve ömrü ölçmeye kaldığı yerden devam eder.

Kir Tutucuyu Boşaltma göstergesini manuel olarak sıfırlamak için, Giriş simgesinin hizasındaki düğmeyi 10 saniye basılı tutun.

ÖMÜR GÖSTERGESİ



Ömür göstergesinin 8 çubuğu bulunur. Bu çubuklar tükendiğinde üniteniz çalışmaya devam eder, fakat yine de önemle ünitenizi yerel yetkili satıcınıza/distribütörünüze servis için göndermenizi öneririz. Bir ömür çubuğu 65 saatlik vakum kullanımında tüketir, bu da merkezi vakum sisteminizin ömrünün uzun olduğu anlamına gelir. Ömür göstergesi servis teknisyeniniz tarafından sıfırlanabilir. Güç beslemeniz kesilirse veya başka bir şekilde bağlantısı kesilirse, ömür göstergesi bir önceki durumunu belleğinde tutar ve ömrü ölçmeye kaldığı yerden devam eder.

SERVİS GÖSTERGESİ



Güç ünitenizde bir sistem hatası veya arıza durumunda servis göstergesi yanıp söner. Bu simgeyi gördüğünüzde güç ünitesini kapatmanızı, güç beslemesinin bağlantısını 10 saniye boyunca kesmenizi ve tekrar takmanızı öneririz. Servis simgesi hala ekrandaysa servis çağırmanızı öneririz.

Bu simge aşağıdaki sebeplerden dolayı görüntülenebilir:

- Motor sorunu
- Elektronik sorun

- Gerilim veya akım sorunu (aşırı yüksek veya aşırı düşük)
- Güç ünitesi elektronik üniteye cevap vermiyor

LCD EKRANDA GEZİNME



Kullanılmadığında, kir tutucunun durumu, ömür göstergesi veya en son kaydedilen güç düzeyini izlemek için, LCD ekranın özellikleri arasında gezinebilirsiniz.

Bu özellikler arasında gezinmek için sağ ok simgesine denk gelen düğmeye basmanız yeterlidir.

Göreceğiniz bir sonraki ekran Güç Göstergesidir. Daha da sağa gittiğinizde Kova Durumunu görürsünüz. Sağa doğru devam ettiğinizde Kullanım ekranındaki Performans Göstergesini kullanarak en son kaydedilen performans düzeylerini görebilirsiniz. Sağa doğru gittiğinizde en sonunda müşteri hizmetleri telefon numarasını görürsünüz.

Sola kaydırma simgesiyle hizalanan düğme, ekranlarda ters yönde gezinmenizi sağlar.

TORBA ADAPTÖRÜ

Kirleri elden çıkartmayı kolaylaştırmak için ünitenize kullanışlı bir kağıt torba takılabilir. Kağıt torbanın bakımı için lütfen Filtre Bakımı altındaki Kağıt Torba Filtresi bölümüne bakın.

Bkz sayfa 7 - Resim 10

KULLANIM VANASI

Kullanım vanası Giriş vanasına benzerdir fakat güç ünitesinin yakınında bulunur. Bu vana, merkezi vakum sisteminin yakınındaki kirleri almaya yardımcı olarak size kolaylık sağlar.

AŞIRI ISINMA KORUMASI

Devre kartının sıcaklığı yükselirse, güç ünitesi çalışmaz ve LED söner veya LCD'li modelde ekran yanıp söner. Bu sorunlar ortaya çıktığında açma/kapatma düğmesine basın, hortumu ayırın veya sıcaklığın düşmesini bekleyin. Sorun devam ederse yetkili satıcı/distribütör ile temasa geçin.

Bkz sayfa 7 - Resim 9

AŞIRI YÜK KORUMASI

Merkezi vakum sistemimde aşağıdaki çalışma düzeylerini izleyen özellikler bulunur: AC gerilim ve çekilen akım. Gerilim standart çalışma geriliminin altından veya üstündeyse, yüksek akım çekildiğinde veya rotor kilitlemişse güç ünitesi çalışmaz. Böyle bir durumda, sorun ortadan kalkıncaya kadar açma/kapatma düğmesi yanıp söner veya LCD'li modelde ekran yanıp söner. Sorun devam ederse yetkili satıcı/distribütör ile temasa geçin. Güç ünitesinin soğuması 30 dakika sürer.

Bkz sayfa 7 - Resim 9

TANILAMA VE BAKIM

Hava akışının azalması merkezi vakum sisteminin maksimum verimde çalışmadığını gösterir. Kir tutucu doluysa ve filtre tıkanmışsa, ünitenin içinden hava geçemez ve temizleme işlemi gerçekleşemez. Bu kitapçıktaki yönergeler rutin bakım için bir kılavuz görevi görür. Düzgün hava akışı ve emme, kir tutucu ve filtre temiz tutularak ve de plastik tüpün ve hortumun tıkanmaması sağlanarak elde edilir.

KİR TUTUCUYU BOŞALTMA

Çoğu model, kir tutucunun ne zaman değişmesi gerektiğini bir bakışta gösteren pencereli kir tutuculara sahiptir. Çoğu durumda, kir tutucuların sadece yılda 2 - 3 kez değiştirilmesi gerekir. Kir tutucuyu çıkartmak için tutucunun saplarındaki düğmelere basın. İçindekileri çıkartın ve tutucuyu boşaltın. Kovayı güç ünitesine takarak tutucuyu yerine yerleştirin. Emme kaybını önlemek için tutucunun yerine sıkıca takıldığından emin olun.

Bkz sayfa 7 - Resim 11

FİLTRE BAKIMI

Electrolux'un özel filtresi sabittir ve kendini temizleme özelliğine sahiptir. Ancak, kendini temizleyen sabit filtreniz hakkında sorularınız varsa lütfen yerel bir yetkili satıcı/distribütörle temasa geçin.

KAĞIT TORBA FİLTRELER - OPSİYONEL

Kağıt torbanın hacmi 22 litredir. Dolu bir toz torbası sistemin performansını azaltır. Merkezi vakum sisteminizi hangi sıklıkta kullandığınızda bağlı olarak toz torbasının yılda 2 - 3 kez değiştirilmesi gerekebilir. Toz torbası yerel satıcı/distribütörden temin edilebilir.

Toz torbasını değiştirme yönergeleri:

1. Güç ünitesinin toz tutucusunu çıkartın
2. Toz torbasını giriş tüpünden gevşetin, ayırın ve elden çıkartın.
3. Toz torbasını tüpün içine yerleştirin ve iyice bastırın. Tüpe sıkıca sabitlenmesi için toz torbasını deliğini çevirin.
4. Kir tutucusunu merkezi vakum sistemine takın.

ELECTROLUX MERKEZİ VAKUM SİSTEMİNİZLE SORUN YAŞARSANIZ, SERVİSİ ARAMADAN ÖNDE AŞAĞIDAKİ ÖNERİLERİ TAKİP EDİN.

EMME GÜCÜNÜN KISMEN/TAMAMEN KAYBI

- Kir tutucunun düzgün bir şekilde yerleştirilmiş olduğundan emin olun.
- Kir tutucuyu boşaltın.
- Filtredeki atıkları ayırın.
- Giriş vanasının düzgün bir şekilde kapatıldığından emin olun.

BORULARDAKİ TIKANMALARI TEMİZLEYİN.

Hortumdaki tıkanma

Hortumu herhangi bir giriş vanasına bağlayın. Birkaç giriş bağlandıktan sonra hortumda emme yoksa, tıkanma hortumdadır. Hortumdaki tıkanmayı açmak için, hortumun içine kör bir nesne (bahçe hortumu, sopa) sokun. Tıkanmayı açmak için emmeyi tersine döndürmeyi de deneyebilirsiniz.

Bkz sayfa 7 - Resim 12 ve 13

Bir giriş vanasında emme normale ve hortumda tıkanma kontrolü yaptıysanız, o zaman tıkanma boru sisteminde, tıkanmış giriş vanasıyla güç ünitesi arasındadır (aşağıdaki yönergeler bakın).

Hortumu, emmenin olmadığı giriş vanasına takın ve elinizi hortumun ucuna tutun. Elinizi hemen ayırın. Bunu birkaç kez tekrarlayın. Tıkanma açılmazsa, en yakın yetkili Electrolux satıcısı/distribütörü ile temasa geçin.

GÜÇ ÜNİTESİ ÇALIŞMIYOR

- Evin sigorta kutusunda bir sigortanın veya devre kesicinin atıp atmadığını kontrol edin.
- Fişi çekin tüm duvar prizlerinde ve düşük gerilim bağlantılarında gevşek kablo kablolar olup olmadığını kontrol edin.
- Ünite çalışmazsa en yakın yetkili satıcı/distribütör ile temasa geçin.

GÜÇ ÜNİTESİ DURMUYOR

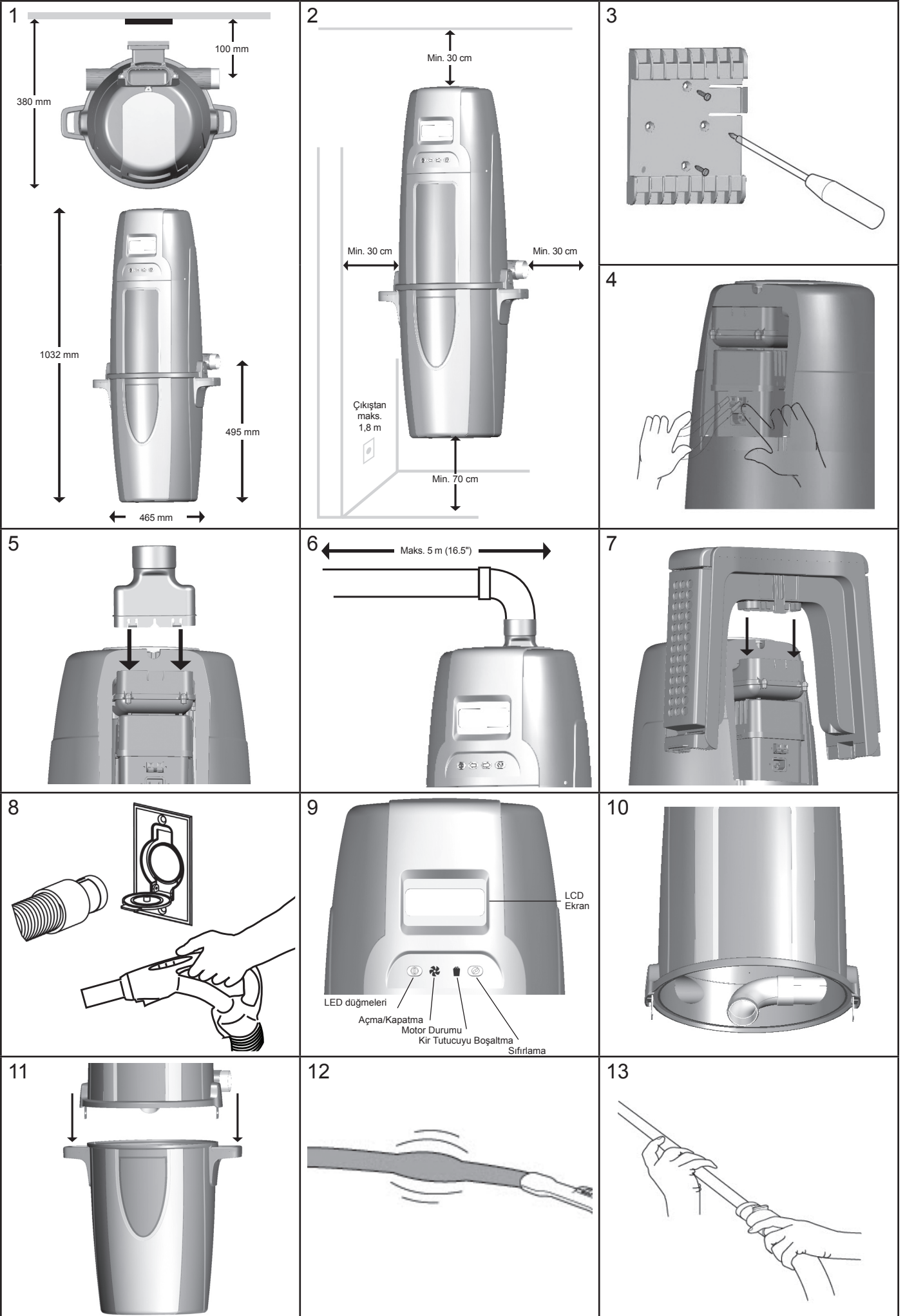
- Her giriş vanasında düşük gerilim kontaklarında engellenme kontrolü yapın. Gözle görülür bir engel yoksa, temizleyiciyi prizden ayırın ve en yakın yetkili satıcı/distribütör ile temasa geçin.

MERKEZİ VAKUM SİSTEMİ KENDİLİĞİNDEN KAPANIYOR

- Hortumu girişe takın veya hortum sapındaki düğmeyi açıp kapatın. Bkz "Aşırı Yük Koruması".

GARANTİ

Garanti yerel yetkili satıcı/distribütör tarafından düzenlenir. Garantiyle ilgili sorularınız için lütfen yerel bir yetkili satıcı/distribütörle temasa geçin.



Fontos óvintézkedések	2
Általános információ.....	3
Üzembe helyezés	3
Rendszer tesztelése	4
Használat.....	4
LED kijelzés	4
LCD-képernyő.....	4
Porzsák csatlakozója.....	5
Kiegészítő szelep.....	5
Túlmelegedés-védelem.....	5
Túlterhelés-védelem.....	5
Diagnosztika és karbantartás	5
Szűrő karbantartása	6
Papír porzsákszűrő	6
Hibaelhárítás.....	6
Képek	7

TARTALOM

A központi porszívó rendszer a következő elemeket tartalmazza.



FONTOS BIZTONSÁGI UTASÍTÁSOK

Elektromos készülékek használatakor alapvető óvintézkedések betartása szükséges, beleértve az alábbiakat:

AZ PORSZÍVÓ RENDSZER HASZNÁLATA ELŐTT OLVASSA EL AZ ÖSSZES UTASÍTÁST

A központi porszívó rendeltetési célja a normál háztartási por eltávolítása.

FIGYELEM

A tűzveszély, elektromos áramütés vagy a balesetek elkerülése érdekében:

- Ne használja épületen kívül vagy nedves felületeken.
- Ne takarja le a motorháztetőt vagy a szellőzőnyílásokat és a készülék tetején található nyílást. A szellőzés hiánya a motor túlmelegedését okozza.
- Ne helyezze a készüléket magas hőmérsékletű helyekre, vagy olyan helyre, ahol nem lehet hozzáférni, pl. tetőtérbe, vagy zsúfolt helyekre.
- A készüléknek legalább 30 cm-re kell lennie a mennyezettől vagy a szomszédos faltól, és legalább 70 cm-re a padlótól. Ezen felül ellenőrizze az erre vonatkozó, esetleges helyi törvényeket.
- A készülék nem játék. Legyen nagyon figyelmes ha gyerekek üzemeltetik a készüléket, illetve ha a gyerekek közelében használja a készüléket.
- A készüléket nem tervezték korlátozott fizikai, érzékelő vagy mentális képességekkel rendelkező, illetve gyakorlatlan személy által történő használatra, kivéve, ha az ilyen személy felügyeletét valamilyen, annak biztonságáért felelős személy látja el, illetve ez a személy a készülék használatára vonatkozóan útmutatást biztosít.
- A gépet kizárólag a jelen kézikönyvben leírtak szerint használja. Csak a gyártó által javasolt tartozékokat használjon.
- Ne használja a gépet, ha a vezeték vagy a hálózati csatlakozó sérült. Ha a porszívó nem az előírások szerint működik, leesett, megrongálódott, szabadban hagyták vagy vízbe esett, akkor küldje vissza a helyi kereskedőhöz/ forgalmazóhoz.
- Kizárólag megfelelően földelt konnektorhoz csatlakoztassa (olvassa el a földelésre vonatkozó utasításokat).
- Ne használjon hosszabbítókat vagy kisebb feszültségű aljzatokat.
- A készülék kihúzása előtt kapcsoljon le minden vezérlőt.
- A dugaszoló aljzattól ne úgy válassza le a csatlakozót, hogy a vezetékét húzza meg. Ne a vezetékénél, hanem a csatlakozónál fogva húzza ki.
- A hálózati csatlakozóhoz, vagy a kábelhez ne nyúljon nedves kézzel.
- A nyílásokba ne tegyen be semmit. Ne használja a készüléket, ha a nyílásait valami eltömíti; távolítsa el a port, a pihéket, a hajsálakat és mindent, amely csökkentheti a légáramlást.
- A porszívó szívóerőt hoz létre. Ügyeljen arra, hogy a haja, az ujjai és más testrészei, illetve a ruházata ne kerüljön nyílások és mozgó alkatrészek közelébe.
- Ne szedjen fel semmit, ami ég vagy füstöl, úgy mint cigarettát, gyufát vagy forró hamut.
- Különös gonddal járjon el a lépcsők tisztításakor.
- Ne használja tűzveszélyes vagy gyúlékony folyadékok mint pl. gázolaj felszedésére, vagy ezek tárolására használt helyen.
- A munkaterület mindig legyen jól megvilágítva.
- Az elektromos eszközök tisztítása előtt kapcsolja ki őket.
- Sérült tápkábel esetén azt egy speciális kábellel kell kicserélni, mely a hivatalos márkakereskedőnél/forgalmazónál kapható.
- Ne használja a készüléket a porzsák és/vagy szűrő nélkül.

NE DOBJA KI AZ ÚTMUTATÓT

ÁLTALÁNOS TUDNIVALÓK

A központi porszívó rendeltetési célja a háztartási por és kosz száraz felszívása. Kerülje az olyan kemény, vagy éles tárgyak felszívását, így megakadályozhatja, hogy a rendszer gumi és műanyag csövei megsérüljenek vagy elduguljanak.

A kézikönyv a készülék otthonába történő telepítésének utolsó lépéseit tartalmazza. Ezen felül karbantartási és hibaelhárítási utasításokat tartalmaz, arra a valószínűleg esetre, ha szüksége lenne rá. Amennyiben további kérdései volnának a beszereléssel vagy a termékkel kapcsolatban, kérjük, lépjen kapcsolatba a helyi hivatalos márkakereskedővel/forgalmazóval.

BIZTONSÁGI FELSZERELÉSEK HASZNÁLATA

A fal és a festés előkészítéséhez biztonsági felszerelések használata javasolt, pl. sisak, kesztyű, védőszemüveg és fülvédő.



VIGYÁZAT



A falba történő lyukak fúrása esetén ne feledje, hogy a falban gázcsövek, vízcsövek és elektromos vezetékek lehetnek.

Amennyiben bármi kérdése volna a termékkel, a pótalkatrészekkel, a szervizzel, a garanciával vagy egyéb dolgokkal kapcsolatban, kérjük, lépjen kapcsolatba a helyi hivatalos márkakereskedővel vagy forgalmazóval.

FÖLDELÉSI UTASÍTÁSOK

A készüléket földelni kell. Ha hibás működés vagy meghibásodás fordul elő, a földelés biztosítja a legkisebb ellenállás útját az elektromos áram számára, ezzel is csökkentve az áramütés kockázatát. A készülék földelő kábellel, földelő vezetékkel és földeléses csatlakozóval rendelkezik. A csatlakozót egy olyan megfelelő aljzathoz csatlakoztassa, amit az összes helyi előírásnak és utasításnak megfelelően szereltek fel, és földeltek.

FIGYELEM



A készülék földelő vezetékének helytelen csatlakoztatása áramütést okozhat. Ha az aljzat földelésével kapcsolatban kétségei vannak, vagy a csatlakozó nem csatlakoztatható az aljzathoz, vegye fel a kapcsolatot szakképzett villanyszerelővel vagy szervizszakemberrel. Ne változtassa meg a készülékhez kapott csatlakozót.

FIGYELEM



Sérült tápkábel esetén azt egy speciális kábellel kell kicserélni, mely a hivatalos márkakereskedőnél/forgalmazónál kapható.

SZERVIZZEL KAPCSOLATOS INFORMÁCIÓK

A kézikönyvben található utasítások a rutinszerű karbantartásra vonatkoznak. További információkért lépjen kapcsolatba a legközelebbi, hivatalos márkakereskedővel/forgalmazóval.

GÉPTÖRZSLAP

A vezérlőpanelen vagy a motorháztetőn található géptörzslapon a modell, a típus és a sorozatszám látható. A gyors és pontos szervizelési információkért, kérjük, mindig legyenek kéznél ezek a számok.

FIGYELEM



A biztonsági utasítások figyelmen kívül hagyása sérüléshez vezethet.

A TERMÉK MÉRETEI

Tekintse meg a 7. oldalon található 1. képet.

ELEKTROMOS ÉS ELEKTRONIKUS BERENDEZÉSEK HULLADÉKAI (WEEE)



A terméken vagy a csomagoláson található szimbólum azt jelzi, hogy a termék nem kezelhető háztartási hulladékként. Ehelyett a terméket a megfelelő gyűjtőponthoz kell eljuttatni az elektromos és elektronikus berendezések újrahasznosítása érdekében. Ha gondoskodik a termék megfelelő leselejtezéséről, segít megelőzni azokat a környezetre és egészségre káros hatásokat, amelyeket a termék nem megfelelő leselejtezése eredményezne. A termékkel kapcsolatos részletekért, kérjük, lépjen kapcsolatba a helyi szemézállító vállalattal vagy a terméket forgalmazó bolttal.

ÜZEMBE HELYEZÉS

A lakása már nagy valószínűséggel már rendelkezik beépített műanyag csőrendszerrel és szívószelvényekkel, és készen áll a központi készülék üzembe helyezésére. Amennyiben lakása nem rendelkezik központi porszívó rendszerrel, az Electrolux Központi Porszívó Rendszer beépítésével kapcsolatban vegye fel a kapcsolatot a helyi márkakereskedővel vagy forgalmazóval, vagy szerelje be saját kezűleg a rendszert.

A központi készüléknek a nappaltól a lehető legtávolabbi helyen kell elhelyezkednie, ennek ellenére könnyen elérhetőnek kell lennie, hogy el tudja távolítani a port a porgyűjtő edényből, el tudja érni a szűrőt, illetve ellenőrizni tudja a készüléket. Ideális hely például a garázs, így autóját és a garázs környékét is felporszívózhatja, illetve a porgyűjtő edény és a szűrő tisztítása is könnyen megoldhatóvá válik. További jó hely lehet például a pince, mosókonyha vagy egy jól szellőző spájz.

VIGYÁZAT



A falba történő lyukak fúrása esetén ne feledje, hogy a falban gázcsövek, vízcsövek és elektromos vezetékek lehetnek. A téglafalon lévő furatok csak akkor engedélyezettek, ha a készülék stabilitása megfelelő. A facsavarok lyukait Önnek kell kifúrnia. A ház anyagától függően válassza ki a készülék felakasztásához használandó kampókat. A készülék egyszerűen becsúsztható a tartókonzolja, mely megfelelő csatlakoztatás esetén bekattan a helyére.

Tekintse meg a 7. oldalon található 3. képet.

- A központi egységet a nappaltól távol eső helyre helyezze. A kivezető csövet könnyen kell tudnia csatlakoztatni a szellőzőcsőhöz. Ezt a művelet a ház szerkezeti anyagaitól függetlenül elvégezhető.

- Keresse meg a cső mellett található két, alacsony feszültségű vezeték. Távolítsa el róluk a szigetelést. Helyezze be az alacsony feszültségű vezeték a rugós, alacsony feszültségű csatlakozóba. Győződjön meg róla, hogy megfelelő-e a helyi elektromos szabványoknak és rendelkezéseknek.

Tekintse meg a 7. oldalon található 4. képet.

- Győződjön meg róla, hogy a rögzítés helyén található-e megfelelő elektromos csatlakozó a készülék számára.

- Csatlakoztassa a központi porszívórendszer tápkábelét az elektromos hálózatához.

A Electrolux Oxygen központi porszívórendszerhez nincs szükség hangszigetelés beszerelésére. A készülék belső hangszigeteléssel rendelkezik. Ennek ellenére azonban szükség lehet a levegő kültérbe történő kivezetésére. Ebben az esetben csatlakoztatnia kell a kivezető cső adapterét. Az adapter a megfelelő méretűre konvertálja a központi porszívócső átmérőjét

Tekintse meg a 7. oldalon található 5. képet.

- Olyan helyre helyezze a készüléket, hogy minél rövidebb kivezető csőre legyen szükség. A kivezető cső nem lehet hosszabb 5 méternél.
- Ne feledje, a porgyűjtő edény eléréséhez a készüléket mindkét oldalról meg kell tudnia közelíteni.

Tekintse meg a 7. oldalon található 6. képet.

- Helyezze a készülék illesztékét a falból kiálló fővezetékhez. **NE HASZNÁLJON RAGASZTÓT.** Amennyiben a kivezetés a szabadba történik, csatlakoztassa a kivezető csövet a készülék kivezető nyílásához. A kivezető csőnek a lehető legrövidebbnek kell lennie.

MEGJEGYZÉS: A központi egységet úgy szerelje fel, hogy minimum 30 cm-re legyen a mennyezettől, és a szomszédos falaktól, minimum 70 cm-re legyen a padlótól, és 1,8 méteren belül legyen egy konnektor. Ellenőrizze az erre vonatkozó helyi törvényeket.

Tekintse meg a 7. oldalon található 2. képet.

FIGYELEM

Ne takarja le a központi készülék tetején található szellőzőnyílásokat. A szellőzés hiánya a motor túlmelegedését okozza.

FIGYELEM

Ne helyezze a központi készüléket magas hőmérsékletű helyekre, vagy olyan helyre, ahol nem lehet hozzáférni, pl. tetőtérbe, vagy zsúfolt helyekre.

A legjobb levegőáramlás biztosítása érdekében használjon valódi HEPA szűrőt, melyet kérés esetén a készülékhez mellékelünk. A szűrőt a hivatalos márkakereskedőtől/forgalmazótól is megvásárolhatja. A HEPA szűrőt a képen látható módon, egyszerűen csatlakoztathatja.

Tekintse meg a 7. oldalon található 7. képet.

RENDSZER TESZTELÉSE

Győződjön meg róla, hogy megfelel-e a helyi elektromos szabályzatoknak és rendelkezéseknek. Csatlakoztassa a készüléket egy közönséges konnektorhoz. Készen áll a készülék beszerelésének ellenőrzésére:

- Győződjön meg róla, hogy a szűrő megfelelően lett-e beszerelve a készülékbe.
- Győződjön meg róla, hogy a porgyűjtő edény megfelelően lett-e rögzítve a készülékhez.
- Az elektromos érintkezések ellenőrzése céljából csatlakoztassa a gumicsövet valamelyik szívószelephez.
- Ellenőrizze az egyes szívószelepeket, hogy nem eresztenek-e.
- Ellenőrizze a csövek csatlakozását, hogy nem eresztenek-e.

Tekintse meg a 7. oldalon található 8. képet.

A KÖZPONTI PORSZÍVÓRENDSZER HASZNÁLATA

A központi porszívórendszer a csövön található kapcsoló segítségével vezérelhető. Egyszerűen helyezze be a csövet a szelepbbe, majd a gomb segítségével kapcsolja be a készüléket. Ezáltal bekapcsol a készülék, és megkezdődik a légáramlás.

Miután végzett, a csövön található kapcsoló segítségével kapcsolja ki a készüléket, és távolítsa el a csövet a szívószelepből. A cső leválasztásakor néhány másodpercig hagyja nyitva a bemenet fedelét, így a szívóerő olyan mértékre csökken, mely nem tesz kárt a szívószelep szigetelésében.

Tekintse meg a 7. oldalon található 8. képet.

LED JELZÉSEK - NEM MINDEN MODELEN TALÁLHATÓ MEG

A készülék a következő jelzések egyikével, vagy akár az összes jelzéssel is rendelkezhet.

Tekintse meg a 7. oldalon található 9. képet.



Be/Ki



Motorhiba



Porgyűjtő edény megtelt



Reset

A készülék egy színes LED panellel rendelkezik. A LED panelen a készülék teljesítményével, karbantartásával és diagnosztikájával kapcsolatos szükséges információkat találja meg. A lentiekben a készülék által küldött, különböző üzenetek leírása következik.

NORMÁL HASZNÁLAT

Amennyiben a készülék ki van kapcsolva, vagy készenléti módban van, a LED gomb PIROSAN világít.

Bekapcsolt állapotban a LED ZÖLDEN világít. Amennyiben a motorhiba lámpa VILÁGÍT, olvassa el a következőket. Amennyiben a porgyűjtő edény lámpája világít, ürítse ki a porgyűjtő edényt, majd nyomja meg és 10 másodpercig tartassa lenyomva a RESET gombot.

MOTORHIBA

Abban az esetben ha kiégett egy biztosíték vagy a motor vezetéke levált, és a készülék nem működik a PIROS, a ZÖLD és a SÁRGA fény is folyamatosan világít.

Amennyiben a leállás túlfeszültség miatt jött létre, az ON/OFF gomb PIROSAN villog, a ZÖLD fény hirtelen ki- és bekapcsol, a MOTORHIBA jelzés pedig SÁRGA fénye szintén hirtelen ki- és bekapcsol. Ez a hiba 15 másodperc múlva automatikusan törlődik, miután a csövön található alacsony feszültségű csatlakozót kikapcsolta. Folyamatos túlfeszültség esetén, miközben az csövön található alacsony feszültségű kapcsoló be van kapcsolva, az ON/OFF gombok PIROSAN vilgítanak, miközben a ZÖLD fény és MOTORHIBA SÁRGA fénye is lassan villog.

Abban a valószínűtlen esetben, ha a készülék nem megfelelő frekvenciájú áramot kapna, a készülék nem indul el, közben pedig az ON/OFF gomb PIROSAN világít. Magas hálózati feszültség esetén a készülék ON/OFF gombja háromszor PIROS és ZÖLD színekben villog - kis szünetekkel -, majd háromszor PIROS és ZÖLD színekben villog - hosszú szünetekkel-, majd újratekődik. Ez egészen addig folytatódik, míg a hálózati feszültség szintje megfelelő nem lesz.

LCD-KIJELZŐ - OPCIONÁLIS



Tekintse meg a 7. oldalon található 8. képet.

Az LCD-kijelző kezdőképernyőjén az Electrolux logó látható. A logó folyamatosan mozog annak érdekében, hogy a kép ne égjen bele magába az LCD-kijelzőbe. A logót akkor láthatja, ha a készülék nincs használatban.

A képernyőn található Bekapcsolás jel megnyomásával indíthatja el a készüléket. A gomb segítségével kapcsolhatja be/ki a készüléket. A készülék bármely bemenetről is bekapcsolható.

Amikor a készülék készenléti módban van, négy fehér fény látható az LCD-kijelzőn, mely balról jobbra, majd jobbról balra halad a képernyőn. Ez a minta folyamatosan ismétlődik, mely azt jelzi, hogy a készülék készen áll a használatra, és a funkciók megfelelően működnek.

HASZNÁLAT KÖZBEN



A készülék használata közben a bekapcsolás jelző zöld fényre vált. Ekkor 4, folyamatosan növekvő teljesítményt jelző sáv jelenik meg a kijelzőn. Normál működés esetén, mind a 4 sávnak világítania kell. Abban az esetben, ha csak 2 sáv világít, meg kell keresnie a hiba okát. A teljesítmény csökkenésének okai a következők lehetnek:

1. A cső vége eldugult
2. A rendszerben lévő egyik cső eldugult
3. Olyan eszközt használ, amely gátolja a levegő áramlását, pl. réstisztító eszköz.
4. A porgyűjtő edény megtelt
5. A szűrőrendszer eltömődött

A PORZSÁK KIÜRÍTÉSE



25 óra üzemidő után (kb. 6 hónap) a "porgyűjtő edény megtelt" szimbólum elkezd zölden villogni. Azt jelzi, hogy ellenőrizze a porgyűjtő edényt, és amennyiben szükséges, ürítse ki. Mivel a jelzés csak az időt veszi alapul, elképzelhető, hogy a porgyűjtő edény nagyon tele lesz, de az is lehet, hogy szinte üres. Ha tart otthon háziállatot, műhellyel rendelkezik, stb. akkor a szemét kiürítésére gyakrabban is szükség lehet, ebben az esetben gyakrabban kell ellenőriznie a porgyűjtő edényt.

A porgyűjtő edény kiürítése után, a 25 órás időzítő nullázásához nyomja meg a return gombot. Az áramforrás megszűnése vagy a tápkábel kihúzása esetén, a készülék megjegyzi a korábbi adatokat, és később onnan folytatja a számolást.

A "porgyűjtő edény megtelt" szimbólum manuális nullázásához egyszerűen nyomja meg az Enter gombot, és tartsa lenyomva 10 másodpercig. 

ÉLETTARTAM-MÉRŐ



Az élettartam-mérőn 8 sáv található. Miután ezek a sávok eltűnnek, a készülék tovább működik, de javasoljuk, hogy vigye el helyi hivatalos márkakereskedőhöz/forgalmazóhoz, vizsgáltsa meg, vagy szükség esetén szervizeltesse. A élettartam sávok 65 óra üzemidő után tűnnek el, ez azt jelenti, hogy a központi porszívó hosszú élettartammal rendelkezik. Az élettartam-mérőt csak a szervizben lehet nullázni. Az áramforrás megszűnése vagy a tápkábel kihúzása esetén, a készülék megjegyzi a korábbi adatokat, és később onnan folytatja a számolást.

SZERVIZ-JELZÉS



A rendszer meghibásodása vagy hibás működése esetén a szerviz-jelzés villogni kezd. A szimbólum megjelenése után javasoljuk, hogy kapcsolja ki a készüléket, húzza ki az áramforrásból 10 másodpercre, majd dugja vissza. Ha a szimbólum továbbra is jelen van a kijelzőn, javasoljuk, hogy hívja fel a szervizt.

A szimbólum a következő okok miatt jelenhet meg:

- Motorhiba
- Elektronikus hiba
- Feszültség vagy áramerősség hiba (túl magas vagy túl alacsony)
- A készülék nem reagál a gombokra

AZ LCD-KIJELZŐ GÖRGETÉSE



Amennyiben a készülék nincs használatban, az LCD-kijelző a következő funkciók közt lapozhat: a porgyűjtő edény állapota, élettartam és a legújabb rögzített teljesítményszintek.

A lapozáshoz egyszerűen nyomja meg a jobbra mutató gombot. 

A következő képernyőn az Élettartam-mérő látható. További lapozás esetén megtekintheti a Porzsák állapotát. Ha tovább lapoz, a következő oldalon Teljesítmény-mérőn megtekintheti a készülék által rögzített teljesítményszinteket. Az utolsó oldalon az ügyfélszolgálat telefonszáma található.

A balra mutató nyíl segítségével lapozhat vissza az oldalakon. 

PORZSÁK CSATLAKOZÓJA

A kényelmesebb szeméttürítés érdekében a készülékhez egy papír porzsák is csatlakoztatható. A papír porzsák karbantartásával kapcsolatban, kérjük, tekintse meg a Papír Porzsákszűrő fejezetet.

Tekintse meg a 7. oldalon található 10. képet.

KIEGÉSZÍTŐ SZELEP

A kiegészítő szelep hasonlít a beszívó szelephez, de a készülék közelében található. A szelep segítségével könnyen feltakaríthatja a központi porszívó közelében lévő, kiömlött szemetet.

TÚLMELEGEDÉS-VÉDELEM

Amennyiben az alaplap hőmérséklete megemelkedik, a készülék nem használható, és LED folyamatosan ki- és bekapcsol, az LCD-kijelzős készülékek kijelzője pedig folyamatosan villog. Ilyen hiba esetén, nyomja meg a Bekapcsoló gombot, válassza le a csövet, és várjon, míg a hőmérséklet lecsökken. Amennyiben a hiba továbbra is fennáll; lépjen kapcsolatba a hivatalos márkakereskedővel vagy forgalmazóval.

Tekintse meg a 7. oldalon található 9. képet.

TÚLTERHELÉS VÉDELEM

A központi porszívó olyan funkciókkal rendelkezik, melyek a következő paraméterek szintjét ellenőrzik: Hálózati feszültség és áramfelvétel. Amennyiben a hálózati feszültség kisebb vagy nagyobb, mint az üzemi feszültség, magas az áramfelvétel vagy a rotor nem működik, a készülék nem használható. Ebben az esetben a probléma megszűnéséig a Bekapcsológomb folyamatosan villog. LCD-kijelzős modellek esetén a kijelző is villog. Amennyiben a hiba továbbra is fennáll; lépjen kapcsolatba a hivatalos márkakereskedővel vagy forgalmazóval. A készülék 30 perc alatt hűl le.

Tekintse meg a 7. oldalon található 9. képet.

DIAGNOSZTIKA ÉS KARBANTARTÁS

Az alacsonyabb légáramlás vagy szívóerő azt jelzi, hogy a központi porszívó nem maximális hatékonysággal működik. Abban az esetben, ha a porgyűjtő edény megtelt, vagy a szűrő eltömődött, a levegő nem tud keresztülmenni a készüléken, és szívóerő megszűnik. A kézikönyvben található utasítások a rutinszerű karbantartásra vonatkoznak. A megfelelő légáramlás és szívóerő fenntartása érdekében, folyamatosan tartsa tisztán a porgyűjtő edényt és a szűrőt, és csöveket pedig ne hagyja eldugulni.

A PORGYÚJTÓ EDÉNY ÜRÍTÉSE

A legtöbb modell rendelkezik a "porgyújtó edény megtelt" funkcióval, melynek segítségével egy pillanat alatt megtudja, hogy mikor van szükség a porgyújtó edény kiürítésére. A legtöbb esetben a porgyújtó edény ürítésére évente két-három (2-3) alkalommal van szükség. A porgyújtó edény eltávolításához nyomja meg a fogantyúkon található gombokat. Távolítsa el, és ürítse ki a tartalmát. A vödör csatlakoztatásával helyezze vissza a porgyújtó edényt. A szívóerő csökkenésének elkerülése érdekében győződjön meg róla, hogy a porgyújtó edény megfelelően csatlakozik-e.

Tekintse meg a 7. oldalon található 11. képet.

SZŰRŐ KARBANTARTÁSA

Az Electrolux exkluzív szűrője öntisztító, és nem kell cserélni. Amennyiben kérdése volna az öntisztító szűrővel kapcsolatban, kérjük lépjen kapcsolatba a hivatalos helyi márkakereskedővel/forgalmazóval.

PAPÍR PORZSÁKSZŰRŐ - OPCIONÁLIS

A papírszák térfogata 22 liter. A megtelt porzsák csökkenti a rendszer teljesítményét. A központi porszívórendszer használatának gyakoriságától függően, a porzsákat évente 2-3 alkalommal kell kiüríteni - porzsákat a helyi márkakereskedőtől/forgalmazótól vásárolhat.

Porzsák cseréje:

1. Távolítsa el a készülék porgyújtó edényét.
2. A beszívó csőnél lazítsa meg a porzsákat, távolítsa el és dobja ki.
3. Helyezze be és nyomja rá a csőre az új porzsákat. A megfelelő rögzítés érdekében forgassa el a porzsák nyílását.
4. A porgyújtó edényt helyezze vissza a központi készülékbe.

HA HIBA MERÜLNE FEL AZ ELECTROLUX KÖZPONTI PORZÍVÓRENDSZERÉBEN, KÉRJÜK, A SZERVIZ FELHÍVÁSA ELŐTT VÉGEZZE EL A KÖVETKEZŐKET:

A SZÍVÓERŐ RÉSZLEGES/TELJES ELVESZTÉSE

- Ellenőrizze, hogy a porgyújtó edény megfelelően csatlakozik-e.
- Ürítse ki a porgyújtó edényt.
- Távolítsa el a hulladékot a szűrőről.
- Győződjön meg róla, hogy a beszívó szelep megfelelően el van-e zárva.

A CSÖVEK DUGULÁSÁNAK ELHÁRÍTÁSA

A csőben lévő dugulás

Csatlakoztassa a csövet a beszívó szelephez. Amennyiben a bemenetekhez történő csatlakoztatás esetén sincs szívóerő, a dugulás a csőben található. A dugulás elhárításához helyezzen egy tompa eszközt a csőbe (pl. kerti tömlő). A dugulás elhárításához megpróbálhatja megfordítani a csövet, a szívóerő esetleg elháríthatja a dugulást.

Tekintse meg a 7. oldalon található 12. és 13. képet.

Amennyiben a csövet már ellenőrizte, és kizárólag egy beszívó szelepnél nincs szívóerő, abban az esetben a dugulás a készülék és a beszívószelep közti csőrendszerben található (tekintse meg a lenti utasításokat).

Helyezze be a csövet abba a beszívó szelepbe, ahol nincs szívóerő; kezét tartsa a cső vége felett. Hirtelen vegye el a kezét. Ismétlje meg néhányszor. Amennyiben a dugulás nem szűnik meg, lépjen kapcsolatba a legközelebbi Electrolux márkakereskedővel/forgalmazóval.

A KÉSZÜLÉK NEM INDUL EL

- Ellenőrizze, hogy nem égett-e ki valamelyik biztosíték vagy áramkörmegszakító a biztosítékszekrényben.
- Húzza ki a készüléket, és ellenőrizze a fali bemeneteket és az alacsony feszültségű csatlakozásokat, hogy nem lazultak-e ki.
- Amennyiben a készülék ezek után sem indul el, kérjük, lépjen kapcsolatba a legközelebbi hivatalos márkakereskedővel/forgalmazóval.

A KÉSZÜLÉK NEM ÁLL LE

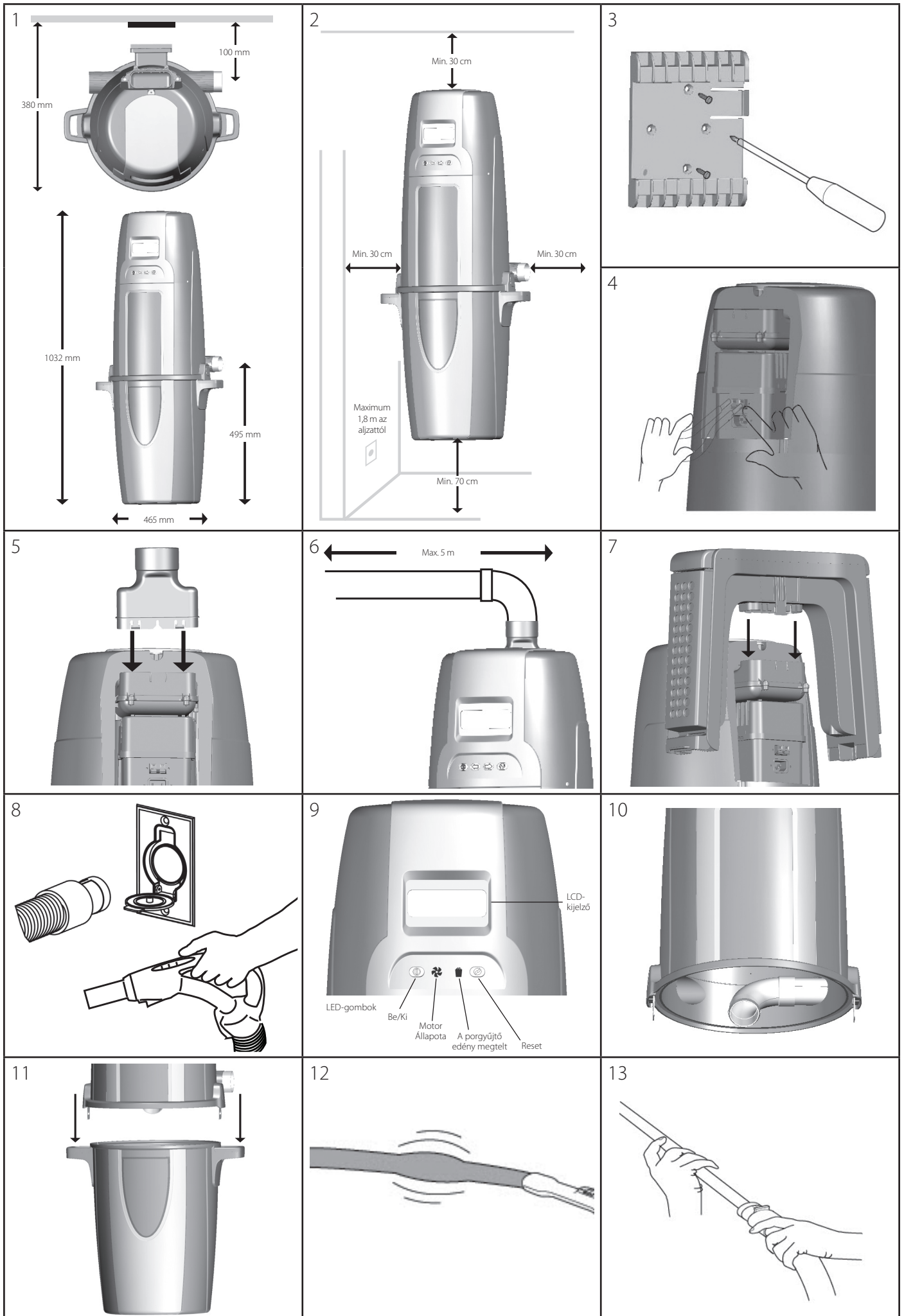
- Ellenőrizze az egyes beszívószelepeken, hogy az alacsony feszültségű érintkezők érintkeznek-e. Amennyiben szemmel láthatólag nincs eltömődés, válassza le a csövet a készülékről, majd lépjen kapcsolatba a legközelebbi hivatalos márkakereskedővel/forgalmazóval.


A KÖZPONTI KÉSZÜLÉK MAGÁTÓL LEÁLL

- Távolítsa el, majd helyezze vissza a csövet a szívócsőbe vagy kapcsolja ki- és be a készüléket. Olvassa el a "Túlmelegedés-védelem" című fejezetet.

GARANCIA

A garanciaigényét a helyi márkakereskedőnek/forgalmazónak nyújthatja be. A garanciával kapcsolatos kérdéseivel forduljon a helyi hivatalos márkakereskedőhöz/forgalmazóhoz.





Electrolux Central Vacuum Systems
1700 West Second Street
Webster City, IA 50595
United States of America

www.electroluxcentralvac.com

The Thoughtful Design Innovator.

Do you remember the last time you opened a gift that made you say, "Oh! How did you know? That's exactly what I wanted!" That's the kind of feeling that we at Electrolux seek to evoke in everyone who chooses or uses one of our products. We devote time, knowledge, and a great deal of thought to anticipating and creating the kind of appliances that our customers really need and want.

This kind of thoughtful care means innovating with insight. Not design for design's sake, but design for the user's sake. For us, thoughtful design means making appliances easier to use and tasks more enjoyable to perform, freeing our customers to experience the ultimate 21st century luxury: ease of mind. Our aim is to make this ease of mind more available to more people in more parts of their everyday lives, all over the world.

The "Thinking of you" promise from Electrolux goes beyond meeting the needs of today's consumers. It also means we're committed to making appliances safe for the environment—now and for future generations.

Electrolux. Thinking of you.

Share more of our thinking at www.electrolux.com