



user manual

Built-In Electric Oven

EOB53000

**We were thinking of you**  
when we made this product




**Welcome to the world of Electrolux**

Thank you for choosing a first class product from Electrolux, which hopefully will provide you with lots of pleasure in the future. The Electrolux ambition is to offer a wide variety of quality products that make your life more comfortable. You will find some examples on the cover in this manual. Please take a few minutes to study this manual so that you can take advantage of the benefits of your new machine. We promise that it will provide a superior User Experience delivering Ease-of-Mind. Good luck!

## Contents

Safety instructions	5
Description of the Appliance	7
Before using for the first time	9
Operating the Oven	11
Usage, Tables and Tips	22
Cleaning and care	34
What to do if ...	44
Electrical Connection	45
Installation Instructions	46
Disposal	50
Guarantee/Customer Service	51
Service and Spare Parts	54

The following symbols are used in this user manual:

-  Important information concerning your personal safety and information on how to avoid damaging the appliance.
-  General information and tips
-  Environmental information



## Safety instructions

### Electrical safety

- This appliance must be connected by a **qualified electrician** only.
- In the event of a fault or damage to the appliance: take the fuses out or switch off.
- **Repairs** to the appliance must **only be carried out by qualified service engineers**. Considerable danger may result from improper repairs. If repairs become necessary, please contact your local Service Force Centre.

### Child Safety

- Never leave children unsupervised when the appliance is in use.

### Safety whilst Using

- People (including children) who, because of their physical, sensory or mental capabilities or their inexperience or ignorance are not able to use the device safely, should not use this device without supervision or instruction by a responsible person.
- This appliance is intended to be used for cooking, roasting and baking food in the home.
- Take care when connecting electric appliances to sockets nearby. Do **not** allow connecting leads to come into contact with or to catch beneath the hot oven door.
- **Warning: Risk of burns!** The interior of the oven becomes hot during use.
- Using ingredients containing alcohol in the oven may create an alcohol-air mixture that is easily ignited. In this case, open the door carefully. Do not have embers, sparks or naked flames in the vicinity when opening the door.

## **How to avoid damage to the appliance**

- Do not line the oven with aluminium foil and do not place baking trays, pots, etc. on the oven floor, as the heat that builds up will damage the oven enamel.
- Fruit juices dripping from the baking tray will leave stains, which you will not be able to remove. For very moist cakes, use a deep tray.
- Do not put any strain on the oven door when open.
- Never pour water directly into the oven when it is hot. This could cause damage to the enamel and discolouration.
- Rough handling, especially around the edges of the front panel, can cause the glass to break.
- Do not store any flammable materials inside the oven. These could ignite when the oven is switched on.
- Do not store any moist foods inside the oven. This could damage the oven enamel.
- After switching off the cooling fan, do not keep uncovered dishes in the oven. Moisture may condense in the oven interior or on the glass doors and may get into the units.

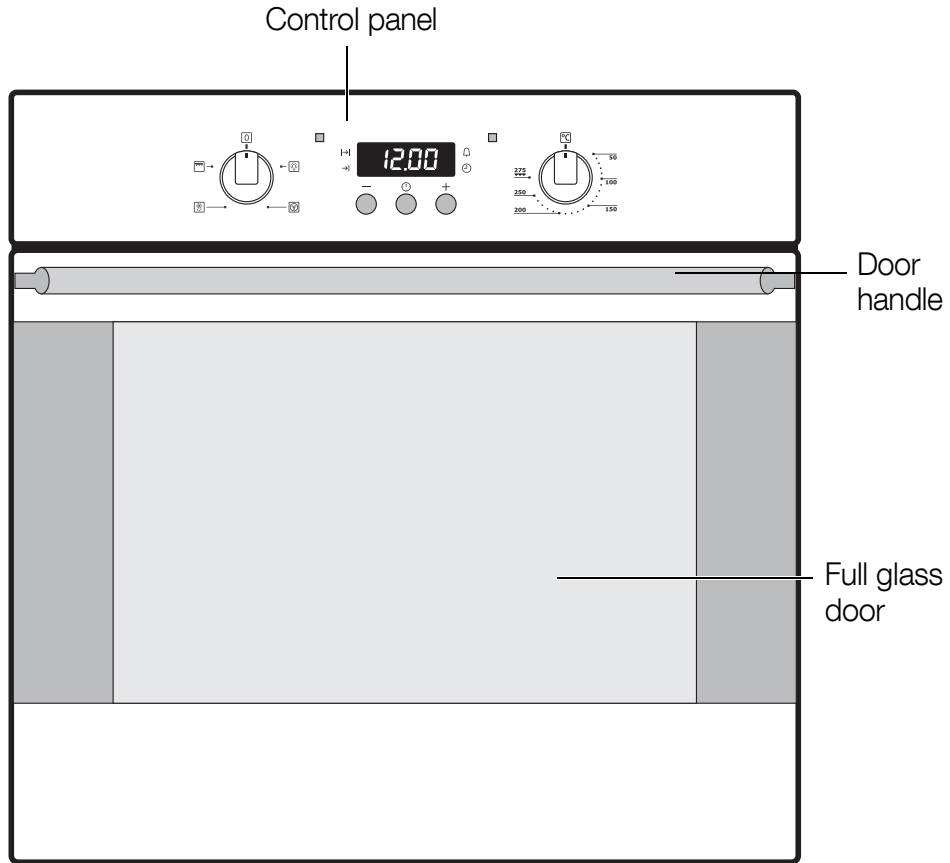


### **Note on enamel coating**

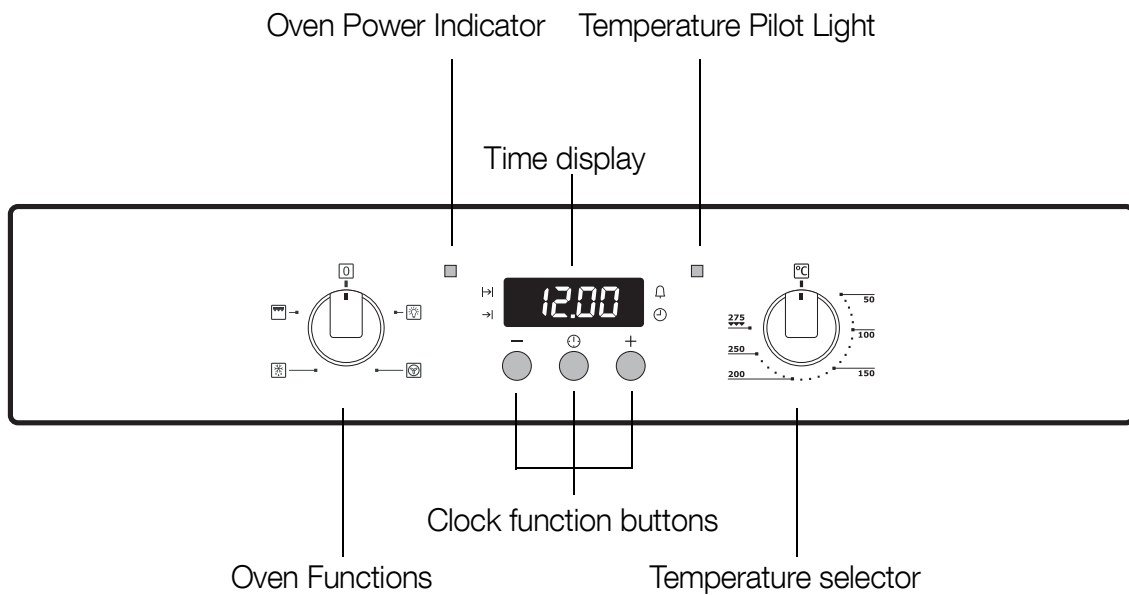
Changes in the colour of the oven's enamel coating as a result of use do not affect the appliance's suitability for normal and correct use. They therefore do not constitute a defect in the sense of the warranty law.

# Description of the Appliance

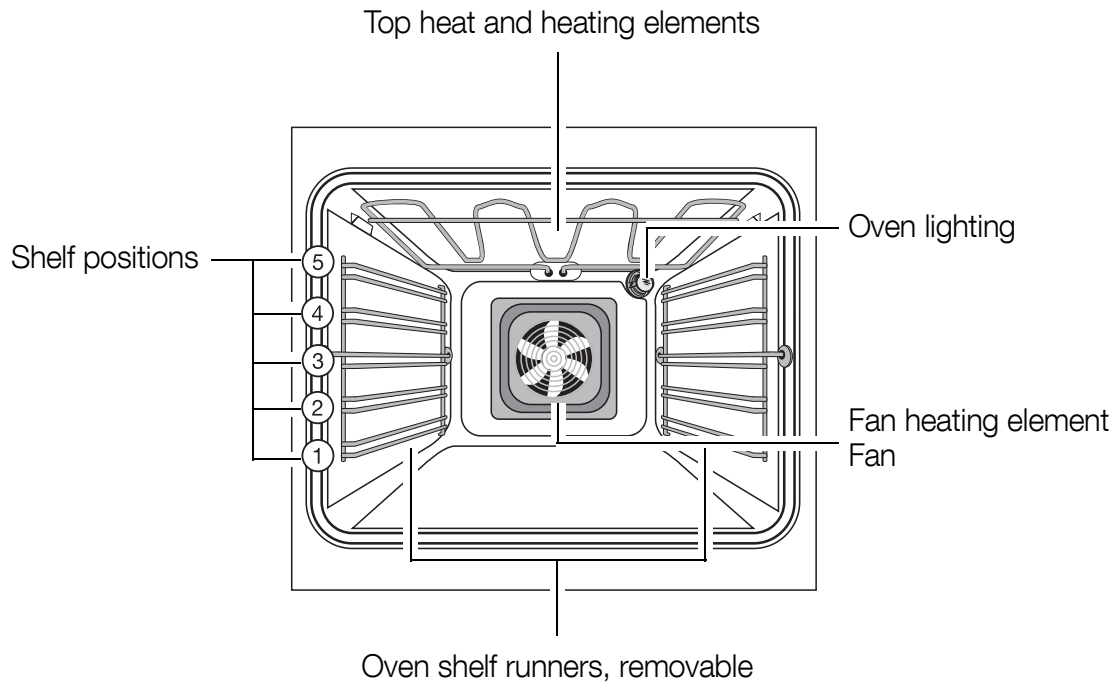
## General Overview



## Control Panel



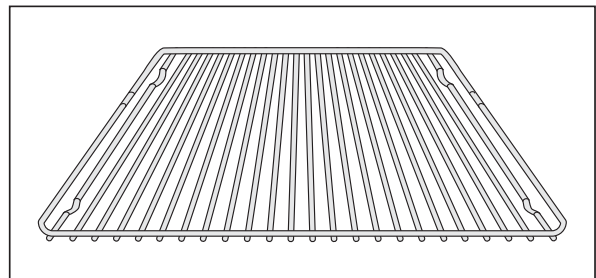
## Oven Features



## Oven Accessories

### **Shelf**

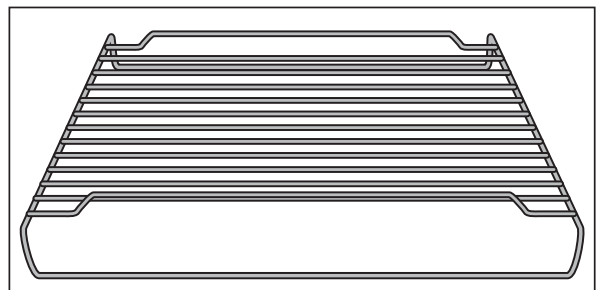
For dishes, cake tins, items for roasting and grilling.



### **Grill set**

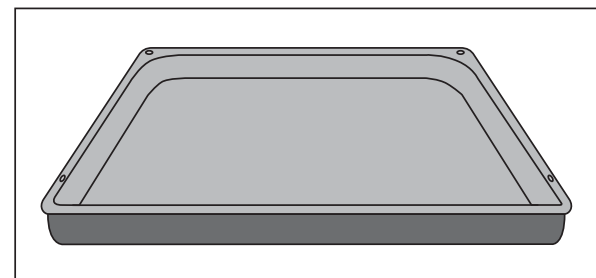
#### **Grill**

Insert for the roasting pan for roasting and grilling.



#### **Roasting Pan**

For baking and roasting or as a pan for collecting fat.



## Before using for the first time

### Setting and changing the current time



**The oven only operates when the time has been set.**

**When the appliance has been connected to the electrical supply or when there has been a power cut, the function indicator Time ⌚ flashes automatically.**

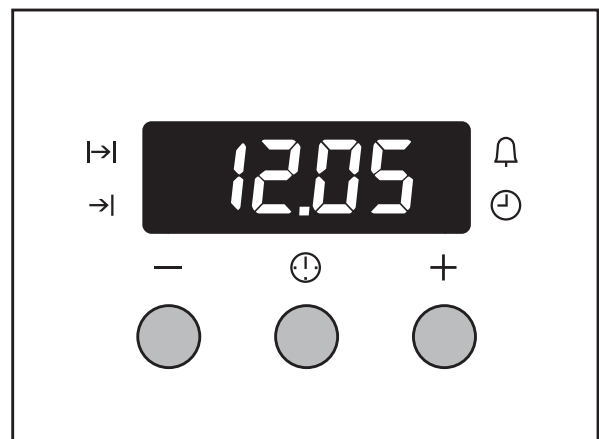
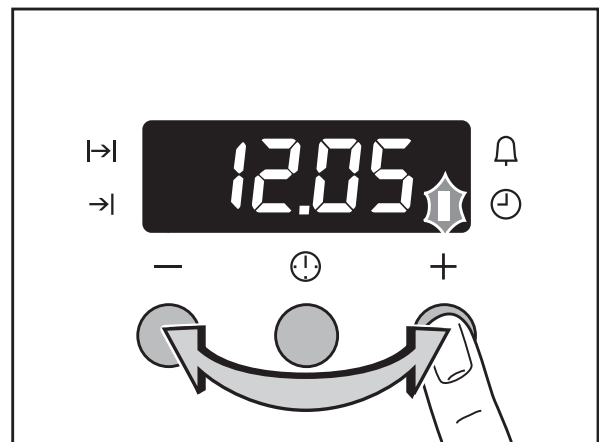
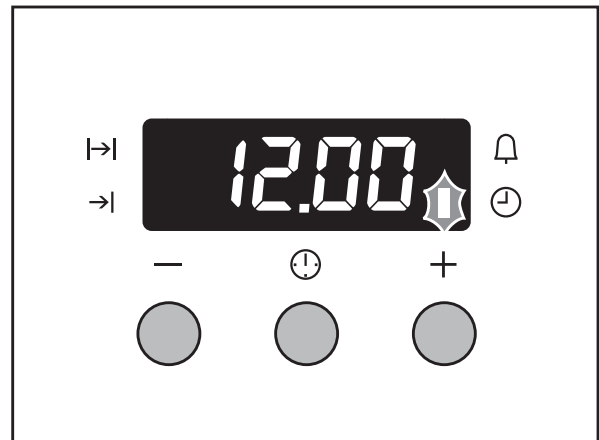
1. To change the time that has already been set, press the Selection ⌚ button repeatedly, until the function indicator Time ⌚ flashes.
2. Set the current time using the + or – button.

After approx. 5 seconds, the flashing stops and the clock displays the time of day set.

The appliance is now ready to use.



**The time can only be changed if neither of the automatic functions (Cook time |→| or End time →|) have been set.**



## Initial Cleaning


Before using the oven for the first time you should clean it thoroughly.



**Caution: Do not use any caustic, abrasive cleaners! The surface could be damaged.**

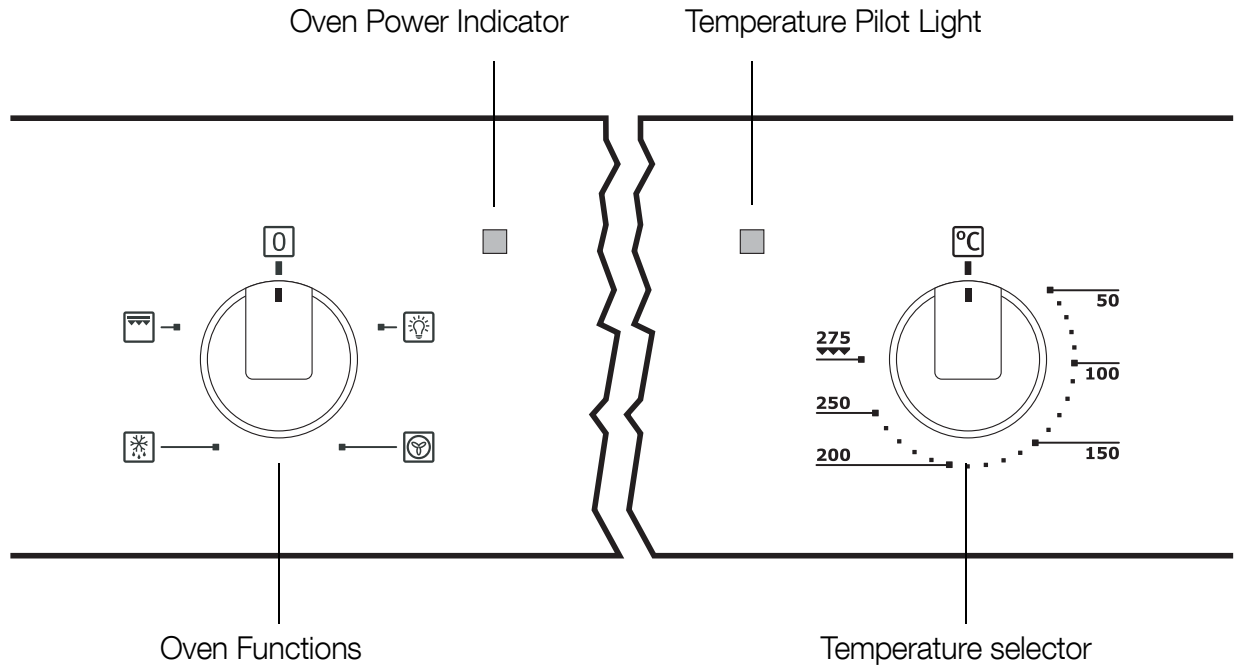


**To clean any metal front panels use commercially available cleaning agents.**

1. Turn the oven function switch to oven lighting .
2. Remove all accessories and the shelf support rails and wash them with warm water and washing up liquid.
3. Then wash out the oven with warm water and washing-up liquid and dry.
4. Wipe the front of the appliance with a damp cloth.

# Operating the Oven

## Switching the Oven On and Off



1. Turn the oven functions control knob to the desired function.
2. Turn the temperature control knob to the desired temperature.

The power indicator is lit while the oven is on.

The temperature power indicator is lit while the oven is heating up.

3. To turn the oven off, turn the oven functions and temperature control knob back to the Off position.







### Cooling fan

**The fan switches on automatically in order to keep the appliance's surfaces cool. When the oven is switched off, the fan continues to run to cool the appliance down, then switches itself off automatically.**

## Oven Functions

The oven has the following functions:

Oven function		Use
	<b>Light</b>	With this function you can <b>light up</b> the oven interior, e.g. for cleaning.
	<b>Convection with ring heating element</b>	For <b>baking on up to three oven shelves</b> at the same time. Set the oven temperatures 20-40 °C lower than when using Conventional.
	<b>Defrost</b>	For <b>defrosting</b> e. g. gateaux and flans, butter, bread, fruit or other <b>frozen foods</b> .
	<b>Dual grill</b>	For <b>grilling</b> flat food items <b>in large quantities</b> and for <b>toasting</b> .

## Inserting the Oven Shelf and the Roasting Pan



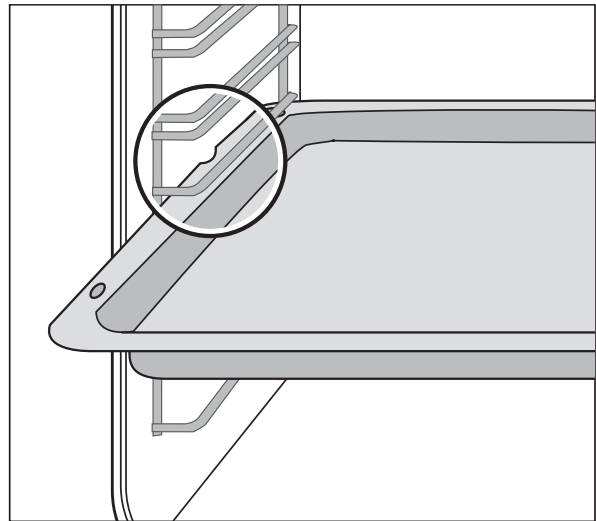
### Shelf runner safety and anti-tip device

**As a shelf runner safety device all insertable components have a small curved indentation at the bottom on the right and left-hand edge.**

**Always insert insertable components so that this indentation is at the back of the oven interior. This indentation is also important for preventing the insertable components from tipping.**

### Inserting the roasting pan:

Push the roasting pan between the guide bars of the selected oven level.



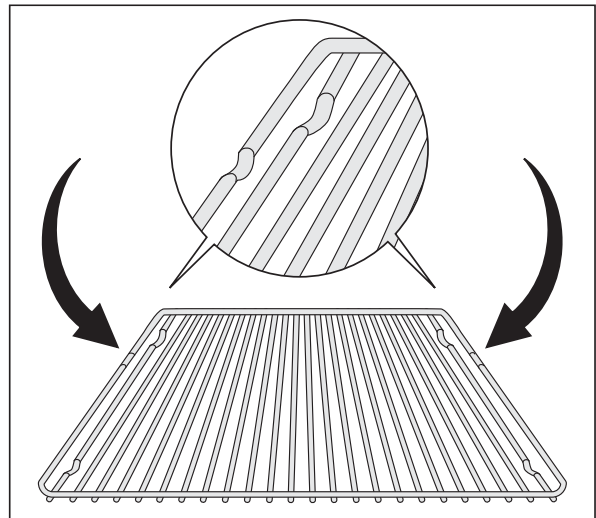
### Inserting the oven shelf:

Insert the oven shelf so that the feet point downwards.

Push the oven shelf between the guide bars of the selected oven level.



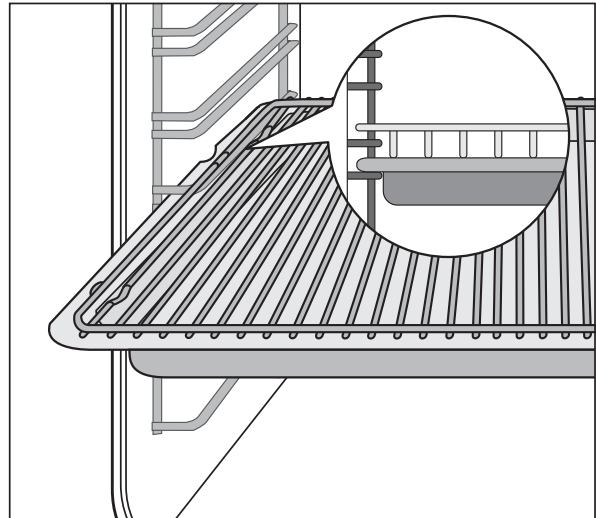
The high rim around the oven shelf is an additional device to prevent cookware from slipping.



14 electrolux **operating the oven**

**Inserting the oven shelf and the roasting pan together:**

Lay the oven shelf on the roasting pan.  
Push the roasting pan **between** the guide bars of the selected oven level.



## Grill set

The grill set consists of grill and roasting pan. The grill can be used on both sides.



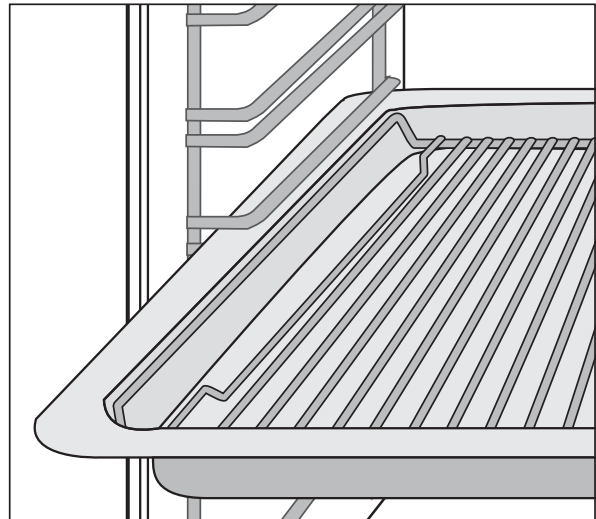
**Warning: There is a risk of burning when removing the roasting pan from the hot oven!**

### Inserting the grill tray underneath:

The grill tray rests in the roasting pan. Push the roasting pan between the guide bars of the selected oven level.



**For roasting larger joints of meat or poultry on one oven shelf.**

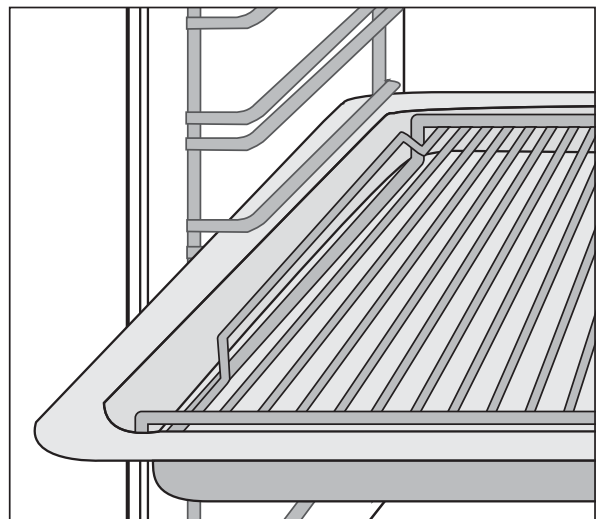


### Inserting the grill tray on top:

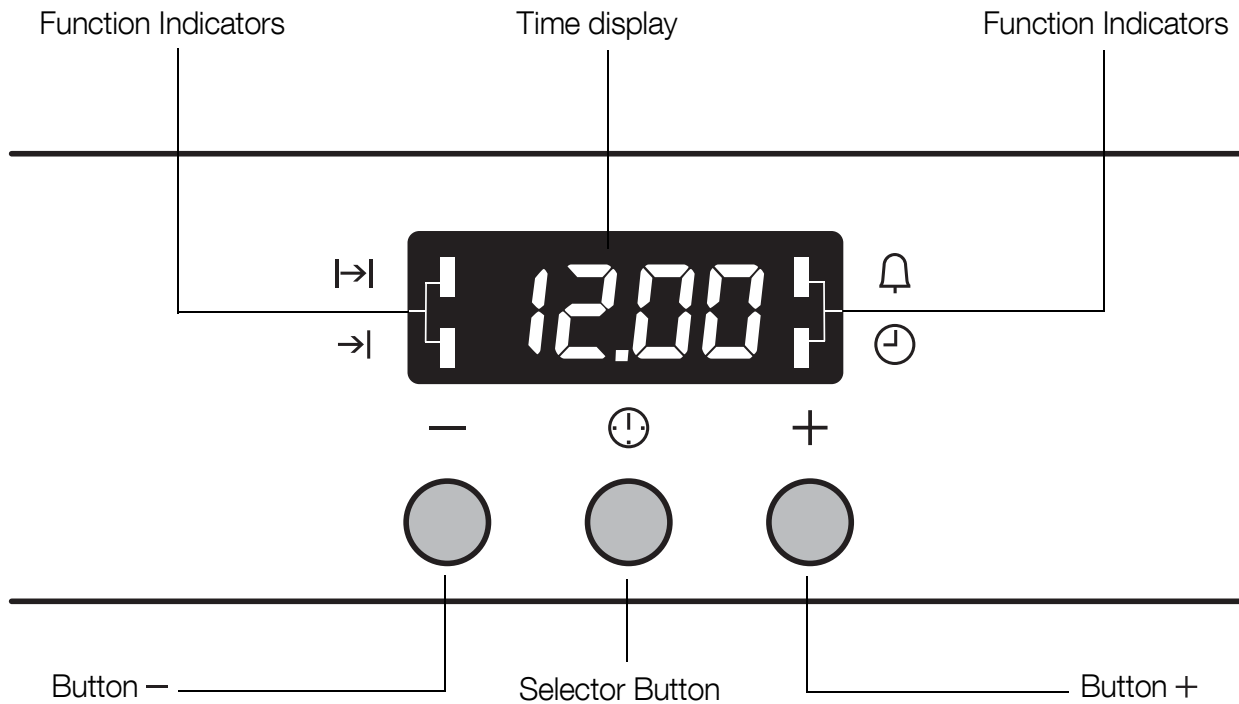
The grill tray rests on the roasting pan. Push the roasting pan between the guide bars of the selected oven level.



**For grilling flat food items in large quantities and for toasting.**



## Clock Functions



### **Countdown** 🔔

To set a countdown. A signal sounds after the time has elapsed.

This function does not affect the operation of the oven.

### **Cook time** |->|

To set how long the oven is to be in use.

### **End time** ->|

To set when the oven is to switch off again.

### **Time** ⌚

To set, change or check the time (See also section "Before Using for the First Time").



### How to use the clock functions

- When a function has been selected, the corresponding function indicator flashes for approx. 5 seconds. During this time the desired times can be set using the + or – button.
- When the desired time has been set, the function indicator flashes for approx. another 5 seconds. After that the function indicator is then lit. The set time begins to run.
- Press any of the buttons to stop the acoustic signal.
- The desired oven function and temperature can be selected before or after the clock functions Cook time  $\left| \rightarrow \right|$  and End time  $\rightarrow \left| \right|$  are set.
- When the cooking time has ended, turn the oven function and temperature dial back to the OFF position.



### Switching Off the Time Display

By switching off the time display you can save energy.

#### Switching off the time display

Hold down any two buttons until the display becomes dark.



#### Switching on the time display

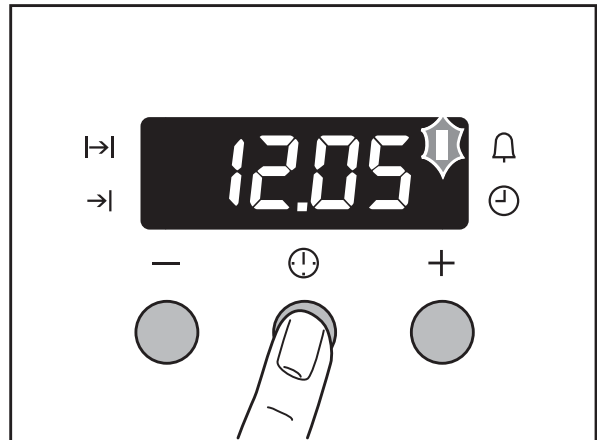
Hold down any button until the time reappears in the display.



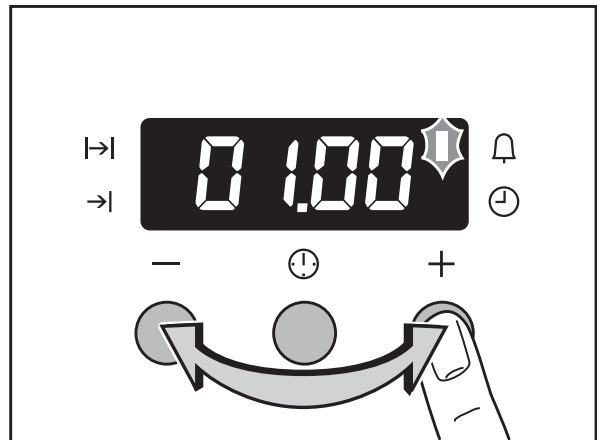
**The display can only be switched off if none of the clock functions Cook time  $\left| \rightarrow \right|$  End time  $\rightarrow \left| \right|$  or Countdown  $\cup$  are in use.**


### Countdown

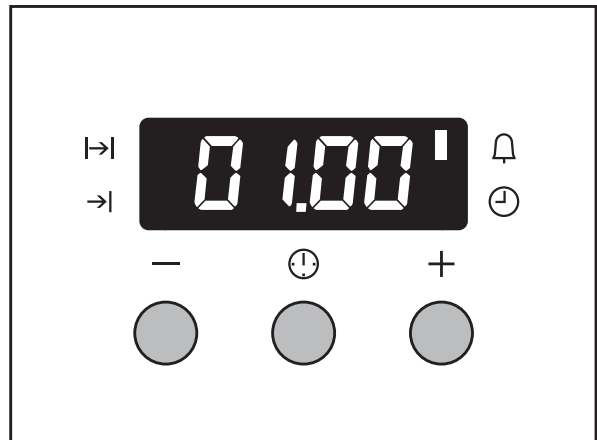
1. Press Selection  button repeatedly, until the function indicator Countdown  flashes.



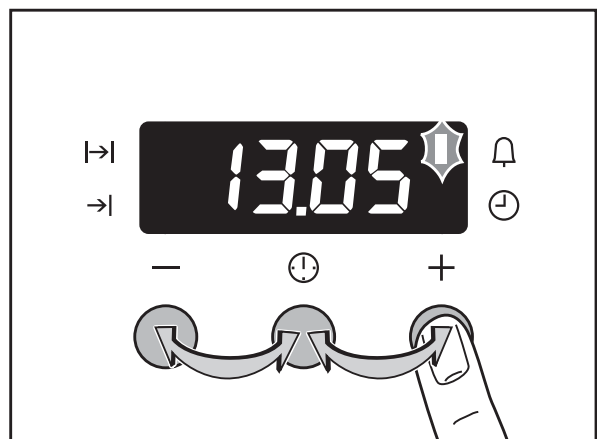
2. Using the + or - button, set the required Countdown (max. 2 hours 30 minutes).



After approx. 5 seconds, the display shows the remaining time. The function indicator Countdown  will light up.

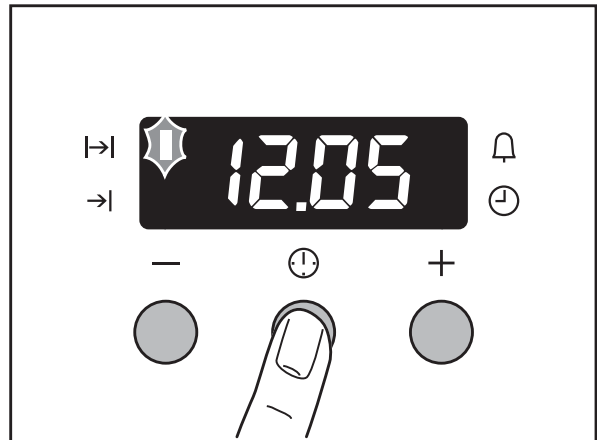


When the time has elapsed, the function indicator flashes and an acoustic signal sounds for 2 minutes. Press any button to switch off the signal.

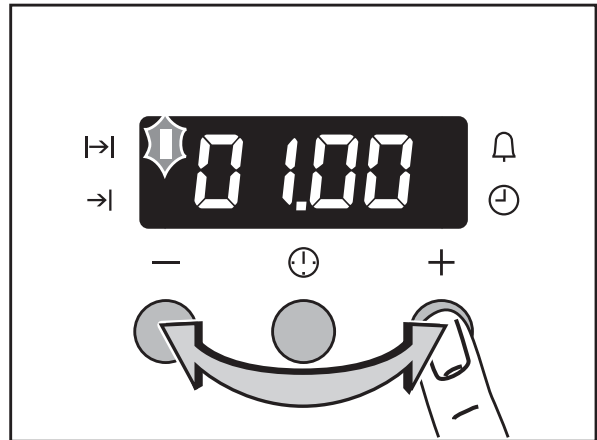


**Cook time |→|**

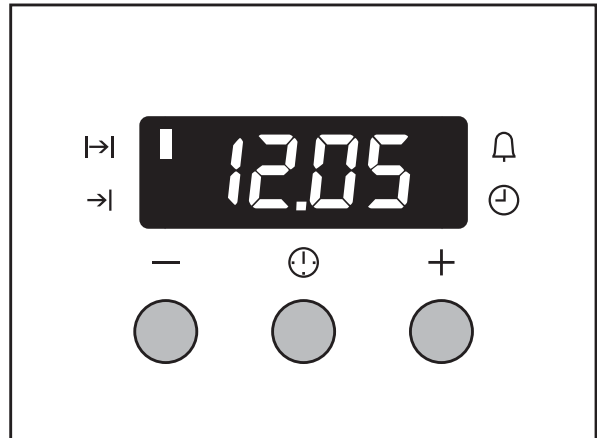
1. Press Selection ⌚ button repeatedly, until the function indicator Cook time |→| flashes.



2. Using the + or - button, set the required cooking time.

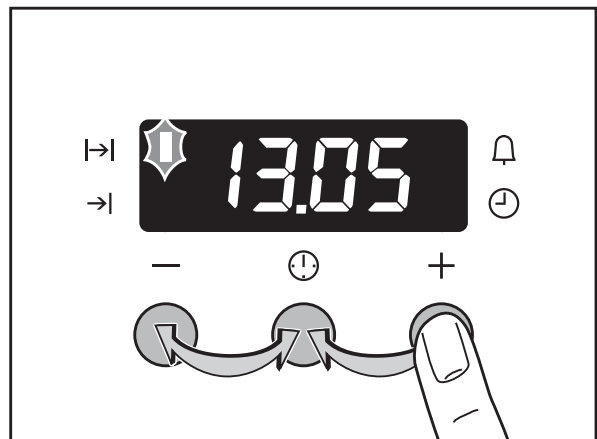


After approx. 5 seconds, the display returns to the current time. The function indicator Cook time |→| will light up.



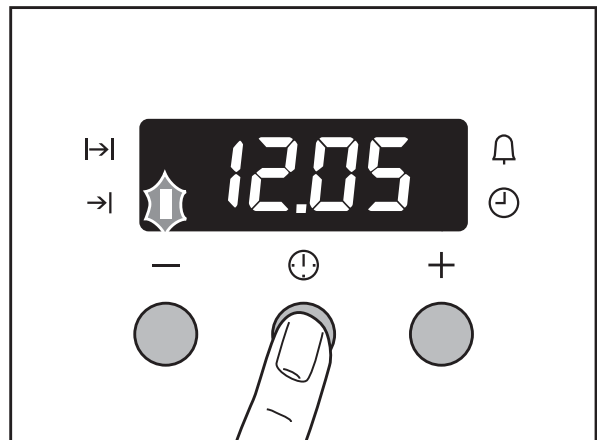
When the time has elapsed, the function indicator will flash, an acoustic signal will sound for 2 minutes and the oven will switch itself off.

3. Press any button to switch off the signal and the programme.

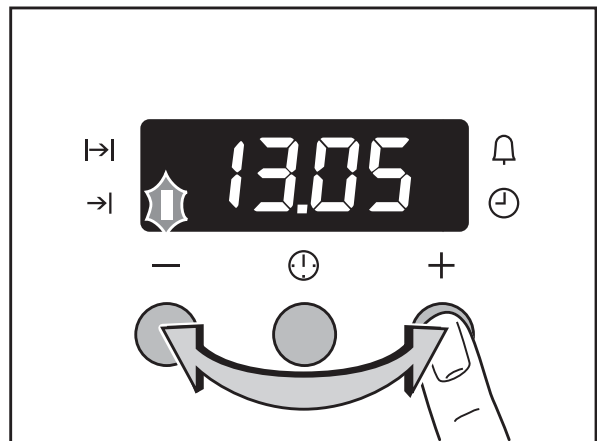


**End time →|**

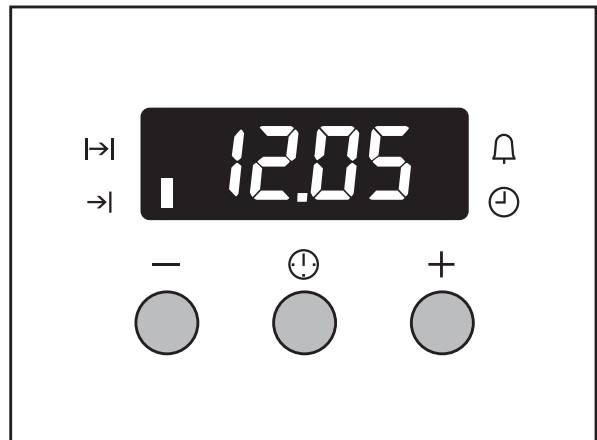
1. Press Selection ⌚ button repeatedly, until the function indicator End time →| flashes.



2. Using the + or - button, set the required switch-off time.

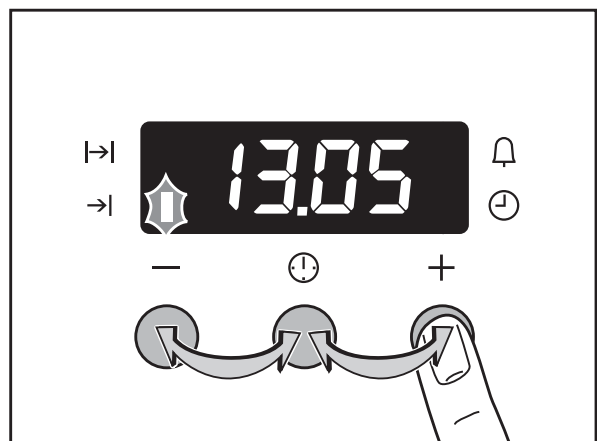


After approx. 5 seconds, the display returns to the current time. The function indicator End time →| will light up.



When the time has lapsed, the function indicator will flash, an acoustic signal will sound for 2 minutes and the oven will switch itself off.

3. Press any button to switch off the signal and the programme.



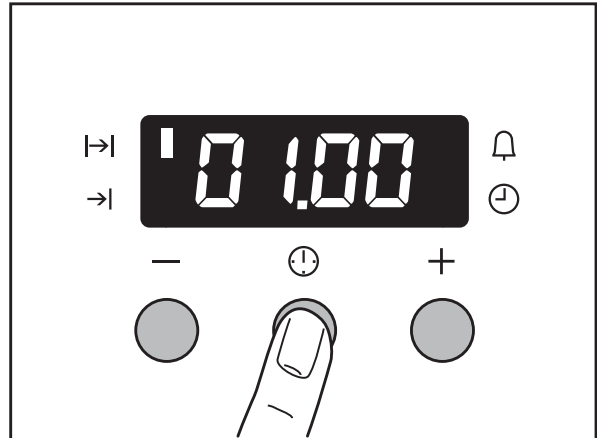
## Cook time $\rightarrow$ and End time $\rightarrow$ combined



**Cook time  $\rightarrow$  and End time  $\rightarrow$  can be used simultaneously, if the oven is to be automatically switched on and off at a later time.**

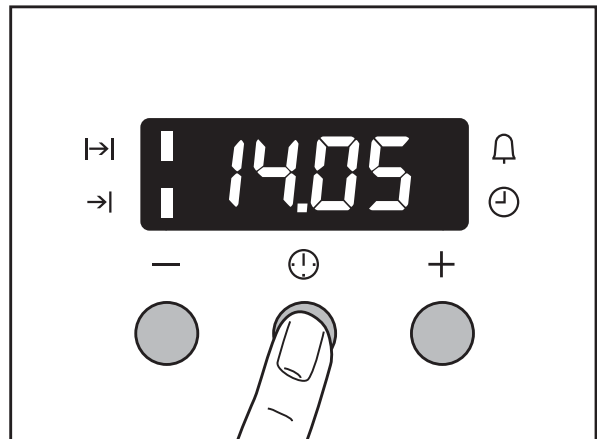
1. Using the function Cook time  $\rightarrow$  set the period of time that the dish requires to cook.

In this example, 1 hour.



2. Using the function End time  $\rightarrow$ , set the time at which the dish is to be ready.

In this example, 14:05.



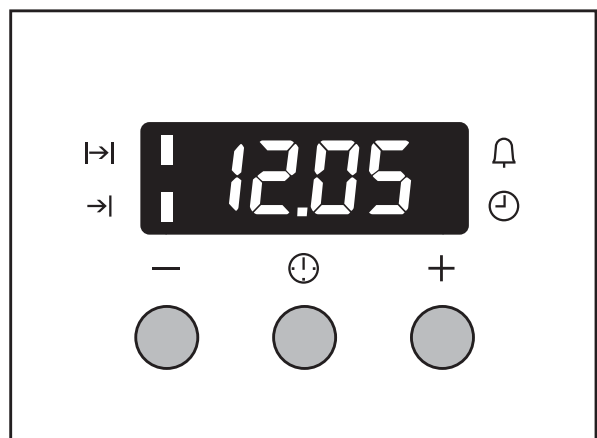
The function indicators Cook time  $\rightarrow$  and End time  $\rightarrow$  light up and the time is shown in the display.

In this example, 12:05.

The oven will automatically switch itself on at the appropriate time as calculated. In this example, at 13:05.

And will switch itself off when the cooking time set has elapsed.

In this example, at 14:05.




## Usage, Tables and Tips

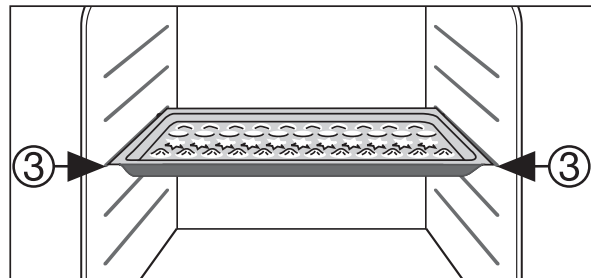
### Baking

#### Oven function: Convection with ring heating element

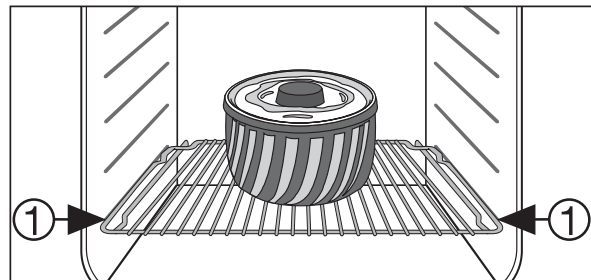
##### Baking tins

- For Convection with ring heating element  bright metal tins are suitable.

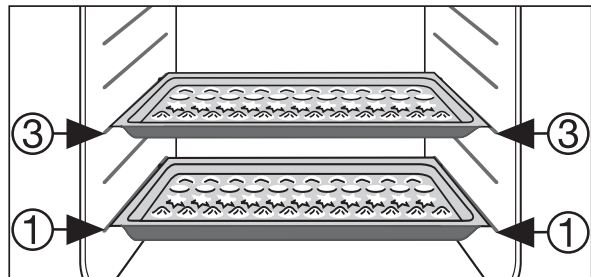
1 baking tray:  
for example, oven level 3



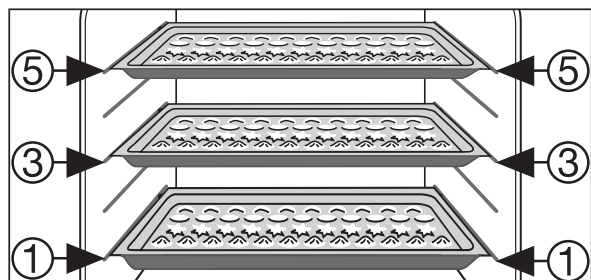
1 baking tin:  
for example, oven level 1




2 baking trays:  
for example, oven level 1 and 3




3 baking trays:  
oven level 1, 3 and 5



##### Oven levels

- With Convection with ring heating element  you can bake on up to 3 baking trays at the same time:

## General instructions

With Convection with ring heating element  you can also bake two cakes at the same time in tins placed next to each other on the shelf. This does not significantly increase baking time.



**When frozen foods are used the trays inserted may distort during cooking. This is due to the large difference in temperature between the freezing temperature and the temperature in the oven. Once the trays have cooled the distortion will disappear again.**

## How to use the Baking Tables

The tables give the required temperature settings, baking times and oven shelf levels for a selection of typical dishes.

- Temperatures and baking times are for guidance only, as these will depend on the consistency of pastry, mixture or dough, the number and the type of baking tin.
- We recommend setting the lower temperature when baking for the first time, and if required, e.g. if a darker browning is desired or if the baking time is too long, select a higher temperature.
- If you cannot find the settings for a particular recipe, look for the one that is most similar.
- If baking cakes on baking trays or tins on more than one level, baking time can be extended by 10-15 minutes.
- Moist recipes (for example, pizzas, fruit flans, etc.) are baked on one level.


- Cakes and pastries at different heights may brown at an uneven rate at first. If this occurs, **please do not change the temperature setting.** Different rates of browning even out as baking progresses.
- Your new oven may bake or roast differently to your previous appliance. So adapt your normal settings (temperature, cooking times) and oven shelf levels to the recommendations in the following tables.



**With longer baking times, you can switch the oven off about 10 minutes before the end of the baking time, in order to utilise the residual heat.**



**Unless otherwise stated, the values given in the tables assume that cooking is started with the oven cold.**

## Baking Tables

Cakes, Biscuits, Bread, Pies	Convection with ring heating element 		Time
	Shelf- position	Tempera- ture °C	Hr. : Min.
<b>Using cake tins</b>			
Cakes in Pound Cake tins	1	160-170	1:00-1:10
Sandcakes/Cakes in loaf tins	1	150-160	1:15-1:30
Madeira cake	1	150-160	1:00-1:10
Dundee cake	1	130-140	2:30-3:00
Large Christmas cake (10")	1	130	4:30-5:00
Victoria Sandwich	1 / 4	160	0:25-0:35
Pastry cases	1 / 4	170-190	0:10-0:25
Bakewell tart	3	160-170	0:45-0:55
Swiss roll	3	150-170 <sup>1)</sup>	0:10-0:20
Flans & quiches	3	170-180	0:30-0:50
<b>Using baking sheets</b>			
Short bread	1 / 4	140-150	0:40-0:50
Biscuits	1 / 4	150-170	0:15-0:25
Macaroons	1 / 4	140-150	0:25-0:35
Apple strudel	3	170-180 <sup>1)</sup>	0:30-0:50
Choux pastry buns	1 / 4	160-170 <sup>1)</sup>	0:20-0:35
Buns / cup cakes	1 / 4	150-160 <sup>1)</sup>	0:25-0:35
Scones	1 / 4	190-200 <sup>1)</sup>	0:10-0:15
Meringues	3	75	3:30-4:30
Sausage rolls	1 / 4	170-180 <sup>1)</sup>	0:20-0:35
Pizza	1	180-200	0:30-0:50
<b>Bread</b>			
Wholemeal bread	1	180-200 <sup>1)</sup>	0:40-0:45
White bread	1	180-200 <sup>1)</sup>	0:40-0:45

1) Pre-heat oven

## Baking on more than one oven level

Type of baking	Convection with ring heating element 	Convection with ring heating element 	Temperature in °C	Time Hours: Mins.
	Shelf positions from bottom			
	2 levels	3 levels		
<b>Cakes/pastries/biscuits on baking trays</b>				
Cream puffs/Eclairs	1 / 4	---	160-180 <sup>1)</sup>	0:35-0:60
Dry streusel cake	1 / 3	---	140-160	0:30-0:60
<b>Biscuits</b>				
Short pastry biscuits	1 / 3	1 / 3 / 5	150-160	0:15-0:35
Viennese whirls	1 / 3	1 / 3 / 5	140	0:20-0:60
Biscuits made with sponge mixture	1 / 3	---	160-170	0:25-0:40
Pastries made with egg white, meringues	1 / 3	---	80-100	2:10-2:50
Macaroons	1 / 3	---	100-120	0:40-1:20
Biscuits made with yeast dough	1 / 3	---	160-170	0:30-0:60
Puff pastries	1 / 3	---	170-180 <sup>1)</sup>	0:30-0:50
Rolls	1 / 4	---	160	0:30-0:45
Small cakes (20per tray)	1 / 4	---	140 <sup>1)</sup>	0:25-0:40

1) Pre-heat the oven!

## Tips on Baking

Baking results	Possible cause	Remedy
The cake is not browned enough at the bottom	Wrong shelf level	Place cake on a lower shelf
The cake sinks (becomes soggy, lumpy, streaky)	Oven temperature too high	Use a slightly lower temperature setting
	Baking time too short	Increase baking time <b>Baking times cannot be reduced by setting higher temperatures</b>
	Too much liquid in the dough/mixture	Use less liquid Pay attention to mixing times, especially if using mixing machines
Cake is too dry	Oven temperature too low	Increase oven temperature
	Baking time too long	Shorten baking time
Cake browns unevenly	Oven temperature too high and baking time too short	Set a lower temperature and increase baking time
	Dough/mixture is unevenly distributed	Spread the dough/mixture evenly on the baking tray
Cake is not cooked within the baking time set	Temperature too low	Use a slightly higher temperature setting

**Table: Desserts**

Desserts	Convection with ring heating element 		Time
	Shelf position	Temperature °C	Hr. : Min.
Apple pie	3	180-190	0:45-0:50
Rice pudding	3	130-140	2:00-2:30
Fruit crumble	3	160	0:50-1:10
Pineapple upside down cake	3	160	0:35-0:45
Pavlova	3	130	1:00-1:10
Baked custard	3	150-160	0:45-1:00
Baked apples	3	160-170	0:40-1:00
Bread and butter pudding	3	170-180	0:40-0:55
Apple charlotte	3	180-190	0:40-0:55
Soufflé - sweet/savoury	3	170-190 <sup>1)</sup>	0:30-0:45

1) Pre-heat oven

## Roasting

### Oven function: Convection with ring heating element

#### Roasting dishes

- Any heat-resistant ovenware is suitable for roasting. (Please read the manufacturer's instructions.)
- Large roasting joints can be cooked **directly in the tray or on the shelf with the tray placed below**
- For all lean meat, we recommend **roasting these in a roasting tray with a lid**. This makes the meat more succulent.
- All types of meat, that can be browned or have crackling, can be roasted in the **roasting tin without the lid**.




#### Tips on using the roasting chart

**The figures in the following table are for guidance only.**


- We recommend cooking meat and fish **over 1 kg in weight** in the oven.
- To prevent escaping meat juices or fat from burning on to the pan, we recommend placing some water in the roasting pan.
- Turn the meat as required (after about 1/2 - 2/3 of cooking time).
- Baste large roasting joints and poultry several times during the cooking time. This will give better roasting results.
- Switch off the oven approx. 10 minutes prior to the end of the cooking time in order to use the residual heat.

**Table: Meat, roasting, casseroles**

Meat	Convection with ring heating element 		Time
	Shelf position	Temperature °C	Hrs. : Min.
<b>Pork</b>			
Shoulder; leg; rolled; boned spare rib; loin of pork	1	170-180	0:30-0:35 per 450 g/1 lb plus 30-35 mins
<b>Beef</b>			
Inexpensive cuts	1	160-170	0:35-0:40 per 450 g/1 lb plus 15-20 mins
<b>Prime cuts</b>			
-rare	1	170-180 <sup>1)</sup>	0:15-0:20 per 450 g/1 lb plus 15-20 mins
-medium	1	170-180	0:20-0:25 per 450 g/1 lb plus 25-25 mins
-well done	1	170-180	0:30-0:35 per 450 g/1 lb plus 25-30 mins
<b>Yorkshire pudding</b>			
- small	3	200 <sup>1)</sup>	0:10-0:15
- large	1	180-190 <sup>1)</sup>	0:30-0:40
<b>Lamb</b>	1	170-180	0:30-0:35 per 450 g/1 lb plus 30-35 mins
<b>Veal</b>	1	170-180	0:30-0:35 per 450 g/1 lb plus 30-35 mins

1) Pre-Heat oven

**Table: Roasting, casseroles, au gratin**

Poultry, Game, Fish, Vegetables	Quantity approx.	Convection with ring heating element 		Time
		Shelf position	Tempera- ture °C	Hrs. : Min.
<b>Casseroles, miscellaneous</b>				
Casseroles	1 kg/2 lbs	1	150	2:30-3:00
Lancashire, Hot Pot	1 kg/2 lbs	1	150-160	2:15-2:30
Moussaka	1 kg/2 lbs	1	170-180	0:40-0:50
Meat Loaf	675 g/1.5 lbs	1	170-180	1:00-1:10
<b>Poultry / Game</b>				
Chicken	1 kg/2 lbs	1	170-180	0:50-1:10
Chicken	1.5 kg/3 lbs	1	170-180	1:15-1:30
Duck	1.5-2 kg/3.5-4 lbs	1	180-190	1:15-1:45
Goose	3.5-5 kg/ 8-10 lbs	1	170-180	2:30-3:00
Turkey	2.5-3.5 kg/5-7 lbs	1	160	1:30-2:00
Turkey	4-6 kg/8-13 lbs	1	150-160	2:30-4:00
Pheasant, Wild Duck, Rabbit	1 kg/2 lbs	3	210	0:30-1:00
Partridge/Pigeon	per 300-500g	3	190-200	0:30-0:50
<b>Fish (baked, steamed)</b>				
Whole fish	1-1.5 kg/2-3 lbs	1	160-170	0:45-1:15
Fish pies, bakes	750 g-1 kg/ 1.5-2 lbs	3	170-190	0:30-1:00
<b>Vegetables</b>				
Stuffed pepper/aubergines		1	180-190	0:30-1:00
Au gratin dishes		3	180-200	0:15-0:45

## Defrosting

### Oven function: Defrost (no temperature setting)

- Unpack the food and place it on a plate on the oven shelf.
- Do not cover with a plate or bowl, as these can substantially lengthen the defrosting time.
- For defrosting, place the shelf on the **1st oven level from the bottom.**

### Defrosting table

Food	Defrosting time Min.	Further defrosting time (mins.)	Comments
Chicken, 1000 g	100-140	20-30	Place the chicken on an upturned saucer placed on a large plate. Halfway through the time, turn it over
Meat, 1000 g	100-140	20-30	Halfway through the time, turn it over
Meat, 500 g	90-120	20-30	Halfway through the time, turn it over
Trout, 150g	25-35	10-15	---
Strawberries, 300g	30-40	10-20	---
Butter, 250g	30-40	10-15	---
Cream, 2 x 200g	80-100	10-15	Cream that is still slightly frozen in part can still be whipped
Flan/gateau, 1400g	60	60	---

## Grill sizes

### Oven function: Dual grill with maximum temperature setting



**Important: Always grill with the oven door closed.**



**The empty oven should always be pre-heated with the grill functions for 5 minutes.**

- For grilling, place the **shelf** in the **recommended shelf position**.
- Always insert the **tray for collecting the fat** into the **first shelf position** from the bottom.
- The grilling times are for guidance only.
- Grilling is particularly suitable for flat pieces of meat or fish.

### Grilling table

Food to be grilled	Oven level	Grilling time	
		1st side	2nd side
Burgers	4	8-10 mins.	6-8 mins.
Pork fillet	4	10-12 mins.	6-10 mins.
Sausages	4	8-10 mins.	6-8 mins.
Fillet steaks, veal steaks	4	6-7 mins.	5-6 mins.
Fillet of beef, roast beef (approx. 1 kg)	3	10-12 mins.	10-12 mins.
Toast <sup>1)</sup>	3	4-6 mins.	3-5 mins.
Toast with topping	3	6-8 mins.	---

1) Do not pre-heat

## Drying

### Oven function: Convection with ring heating element

- Use oven shelves covered with greaseproof paper or baking parchment.
- You get a better result if you switch the oven off halfway through the drying time, open the door and leave the oven to cool down overnight.
- After this finish drying the food to be dried.

Food to be dried	Temperature in °C	Oven level		Time in hours (Guideline)
		1 level	2 levels	
<b>Vegetables</b>				
Beans	60-70	3	1 / 4	6-8
Peppers (strips)	60-70	3	1 / 4	5-6
Vegetables for soup	60-70	3	1 / 4	5-6
Mushrooms	50-60	3	1 / 4	6-8
Herbs	40-50	3	1 / 4	2-3
<b>Fruit</b>				
Plums	60-70	3	1 / 4	8-10
Apricots	60-70	3	1 / 4	8-10
Apple slices	60-70	3	1 / 4	6-8
Pears	60-70	3	1 / 4	6-9

## Cleaning and care



**Warning:** First switch off the appliance and let it cool down before carrying out any cleaning.

**Warning:** For safety reasons, do **not** clean the appliance with steam blasters or high-pressure cleaners.

**Attention:** Do not use any corrosive cleaning fluids, sharp objects or stain removers.

Do not clean the glass oven door with abrasive fluids or metal scrapers, which could scratch the surface. The glass could crack and shatter.

### Outside of the appliance

- Wipe the front of the appliance with a soft cloth and a solution of hot water and washing up liquid.
- For metal fronts, use normal commercially available cleaning agents.
- Please do not use scouring agents and abrasive sponges.

### Oven interior

Clean the appliance after each use. In this way, residues are easier to clean off and are not allowed to burn on.

1. To clean the oven, switch the oven light on.
2. After every use, wipe the oven with a solution of washing-up liquid and allow to dry.



**Remove stubborn residues with a special oven cleaner.**



**Warning:** If using an oven spray, please follow the manufacturer's instructions exactly.

### Accessories

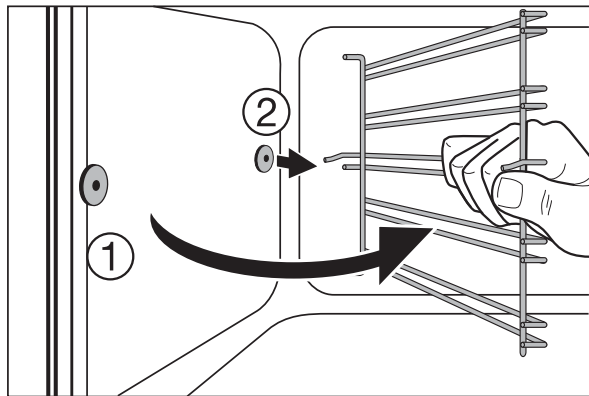
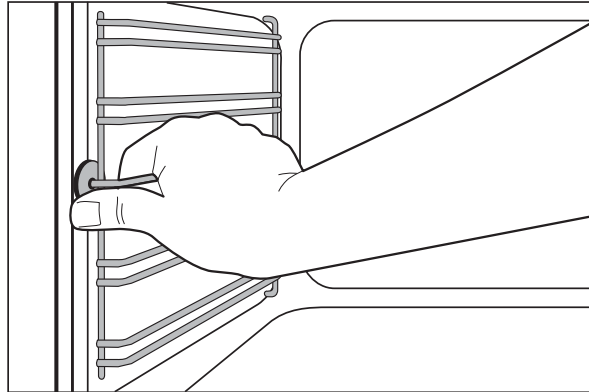
Wash all slide-in units (shelf unit, baking tray, shelf support rails etc.) after each use and dry well. Soak briefly to make them easier to clean.

## Shelf Support Rails

The shelf support rails on the left and right hand sides of the oven can be removed for cleaning the side walls.

### Removing the shelf support rails

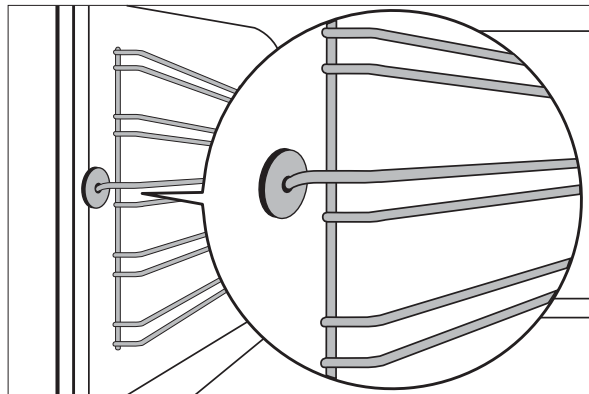
First pull the front of the rail away from the oven wall (1) and then unhook at the back (2).



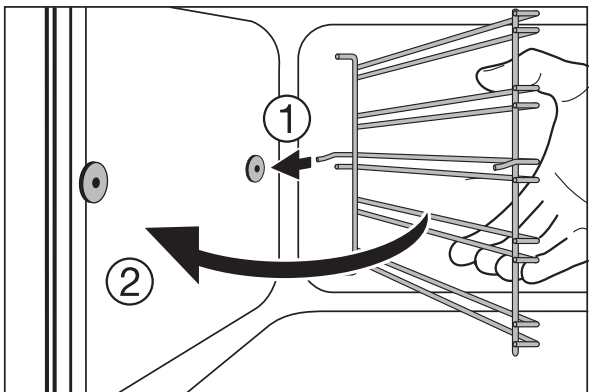
### Fitting the shelf support rails



**Important! The rounded ends of the guide rails must be pointing forwards!**



To re-insert, first hook the rail into place at the back (1) and then insert the front and press into place (2).



## Oven Lighting



**Warning: Risk of electric shock! Prior to changing the oven light bulb:**

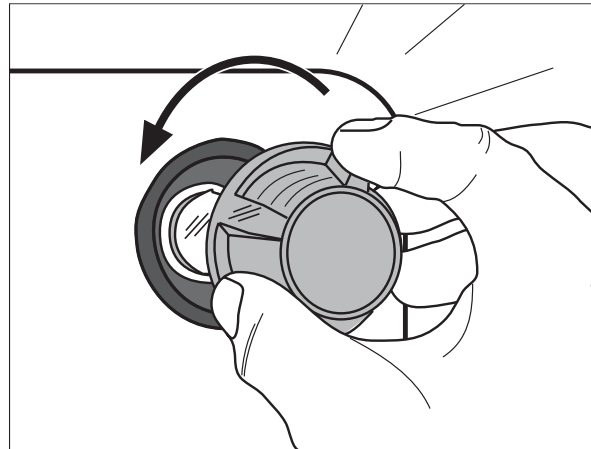
- Switch off the oven!
- Disconnect from the electricity supply.



**Place a cloth on the oven floor to protect the oven light and glass cover.**

**Changing the oven light bulb/cleaning the glass cover**

1. Remove the glass cover by turning it anti-clockwise and then clean it.
2. If necessary: replace with **25 watt, 230 V, 300 °C heat-resistant oven lighting.**
3. Refit the glass cover.



## Oven Roof

The upper heating element can be folded down to make it easier to clean the oven roof.

### Folding down the heating element



**Warning: Only fold down the heating element when the oven is switched off and there is no risk of being burnt!**

1. Remove the side shelf support rails.
2. Grip the heating element at the front and pull it forwards and out over the support lug on the inner wall of the oven.
3. The heating element will now fold down.



**Caution: Do not use force to press the heating element down! The heating element might break.**

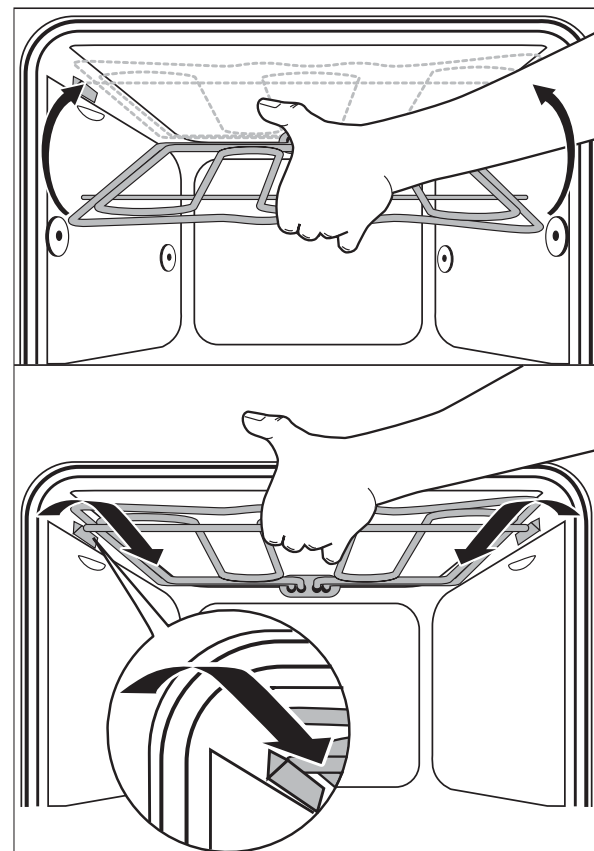
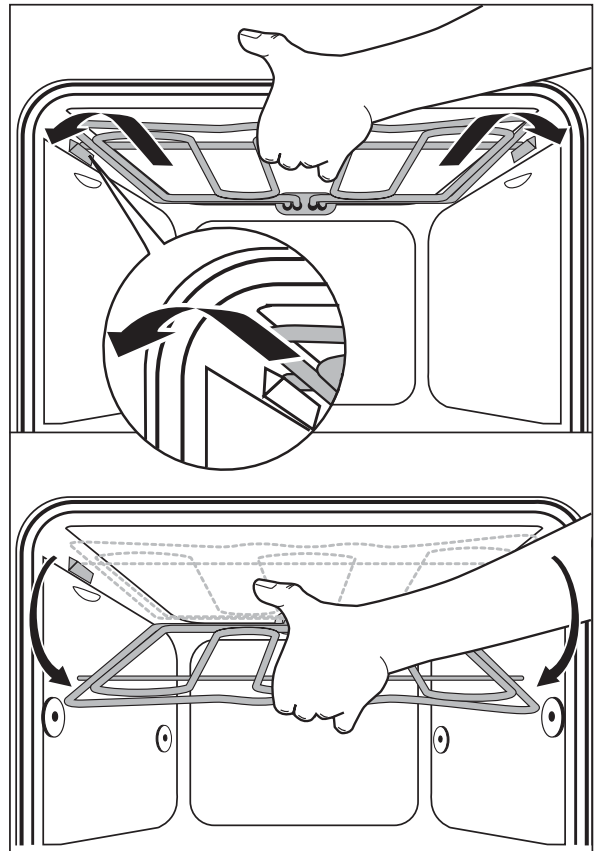
### Clean the oven roof

### Repositioning the heating element

1. Move the heating element back up towards the oven roof.
2. Pull the heating element forwards against the spring pressure and guide it over the oven support lug.
3. Settle it onto the support.
4. Insert shelf support rail.



**Important: The heating element must be positioned correctly and securely on both sides above the support lug on the inner wall of the oven.**

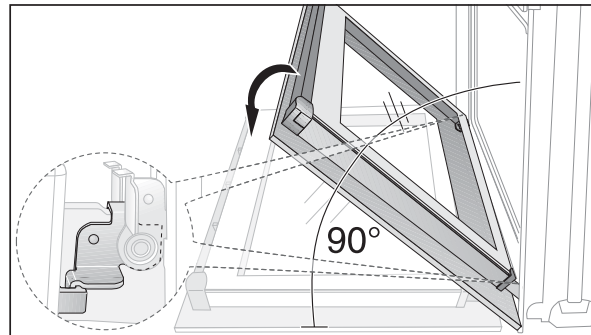


## Oven door

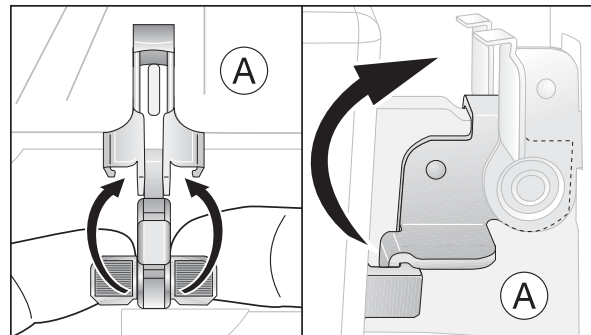
For easier cleaning of the oven interior, the oven door can be taken off its hinges.

### Removing the oven door from its hinges

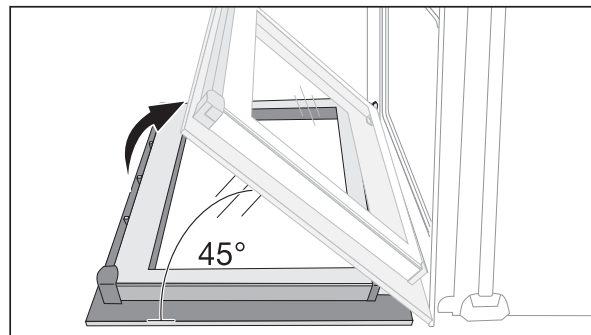
1. Open the oven door as far as it will go.



2. Undo the **clamping levers (A)** on both door hinges **fully**.



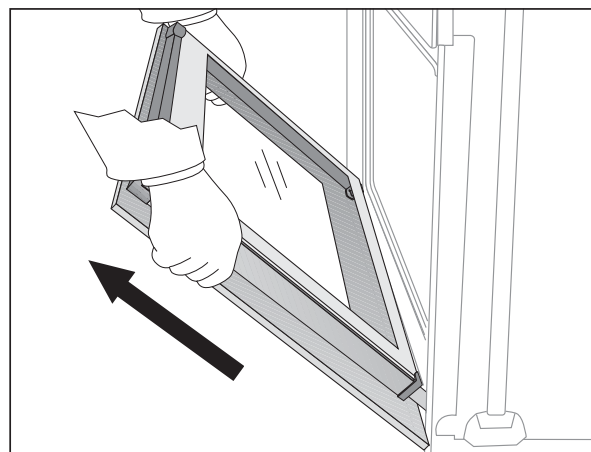
3. Close the oven door as far as the first position (approx. 45°).



4. Take hold of the oven door with a hand on each side and pull it away from the oven at an upwards angle (**Take care:** It is heavy).

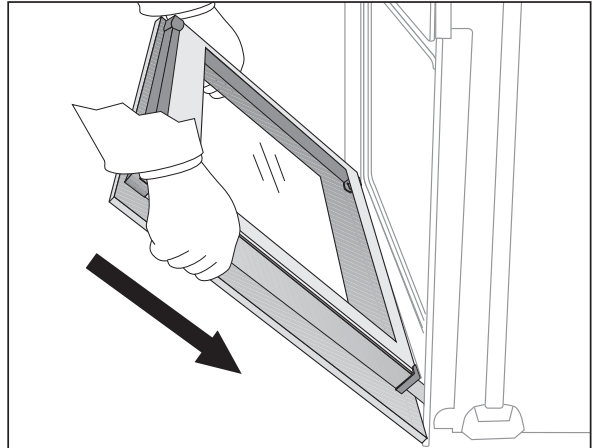


**Lay the oven door with the outer side facing downwards on something soft and level, for example, a blanket in order to prevent scratches.**

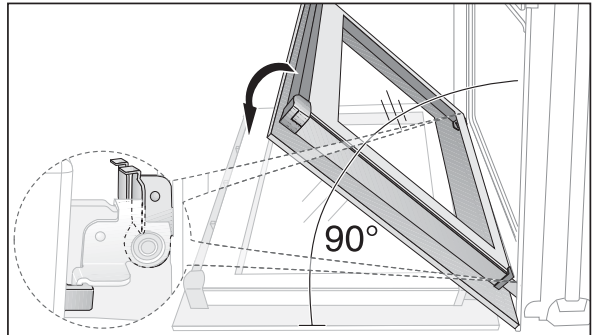


## Hanging the oven door back on its hinges

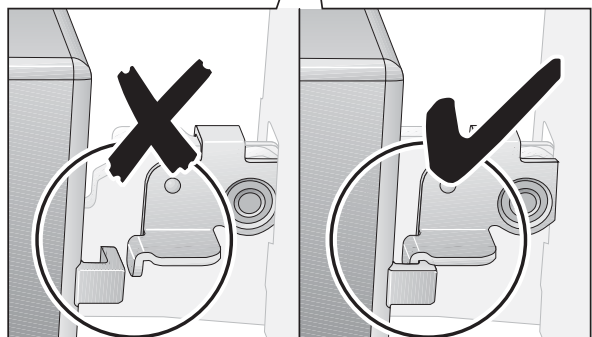
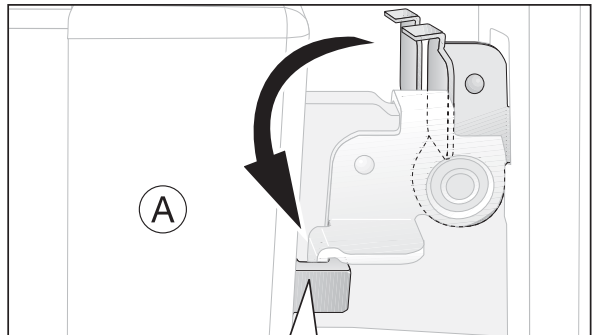
1. From the handle side take hold of the oven door with a hand on each side and hold at an angle of approx. 45°. Position the recesses on the bottom of the oven door on the hinges on the oven.  
Let the door slide down as far as it will go.



2. Open the oven door as far as it will go.



3. Fold up the clamping levers (A) on both door hinges back into their original positions.



4. Close the oven door.

## Oven door glass

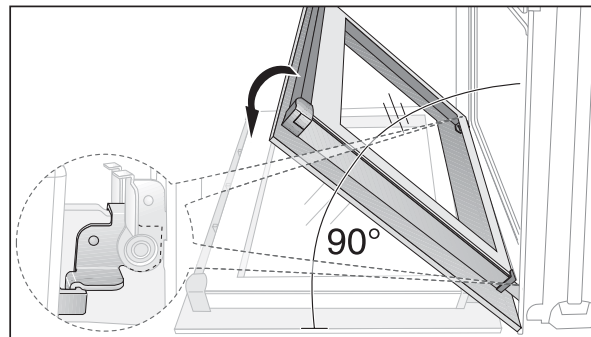
The oven door is fitted with two panels of glass mounted one behind the other. The inner panel can be removed for cleaning.



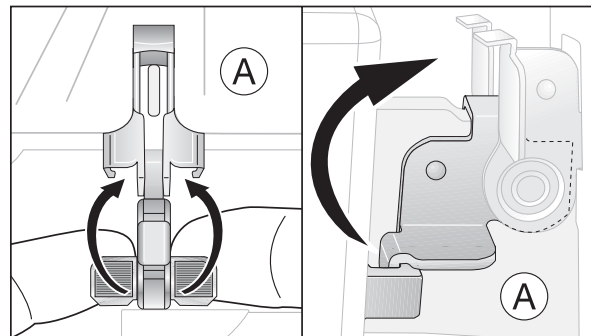
**Important** Rough handling, especially around the edges of the front panel, can cause the glass to break.

### Removing the door glass

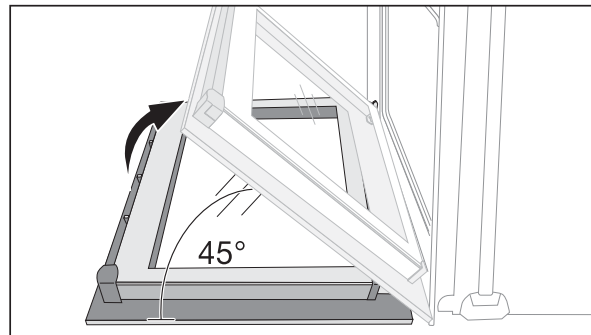
1. Open the oven door as far as it will go.



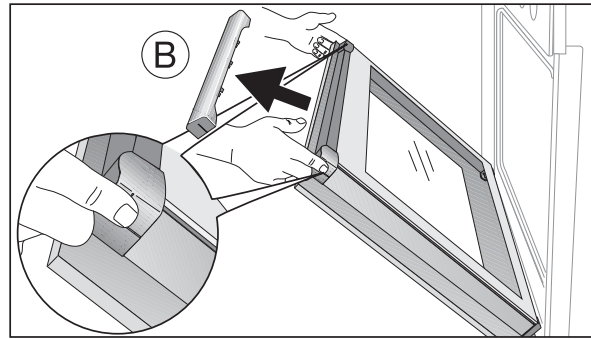
2. Undo the **clamping levers (A)** on both door hinges **fully**.



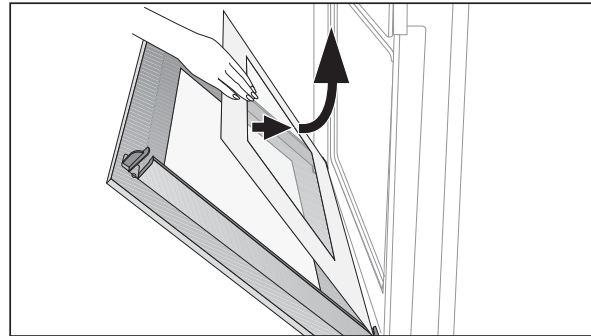
3. Close the oven door as far as the first position (approx. 45°).



4. Take hold of the door trim (B) on the upper edge of the door at both sides and press inwards to release the clip seal. Then remove the door trim by pulling upwards.



5. Take hold of the door glass on its upper edge and take it out of the guide by pulling it upwards.

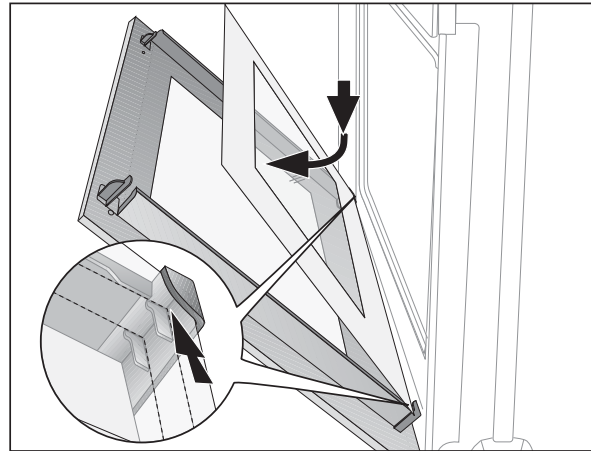


### **Cleaning the door glass**

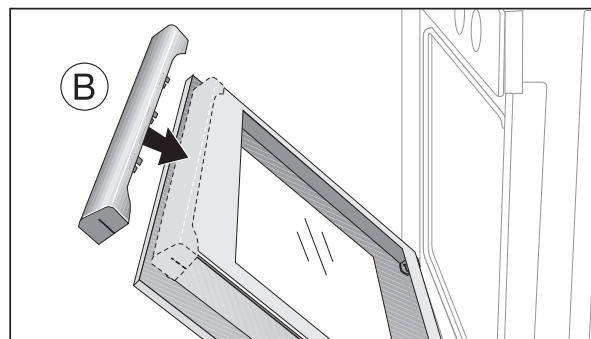
Clean the door glass thoroughly with a solution of water and washing up liquid. Then dry it carefully.

### Putting the door glass back

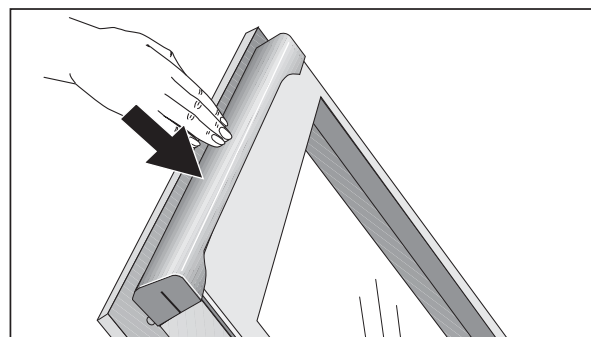
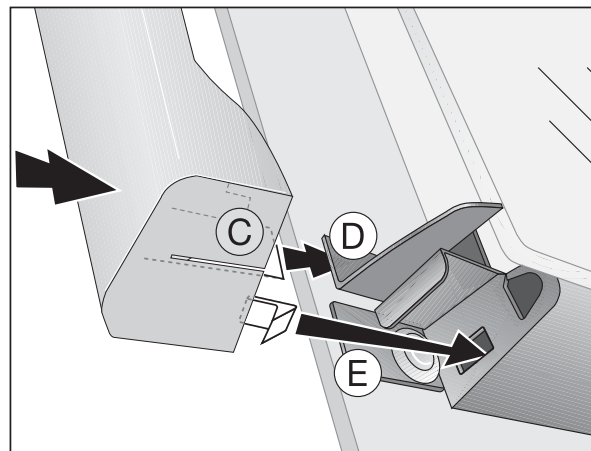
1. From above insert the door glass at an angle into the door profile at the bottom edge of the door and lower it.



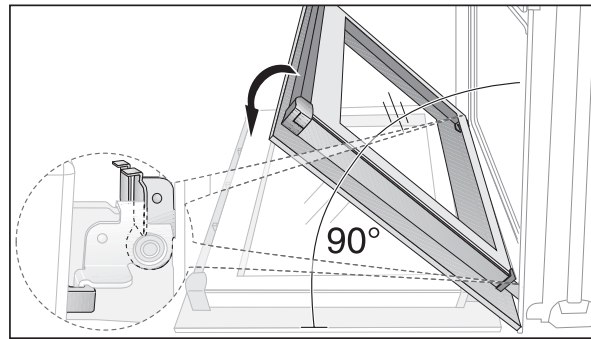
2. Take hold of the door trim (B) at each side, position it on the inside edge of the door and plug the door trim (B) into the upper edge of the door.



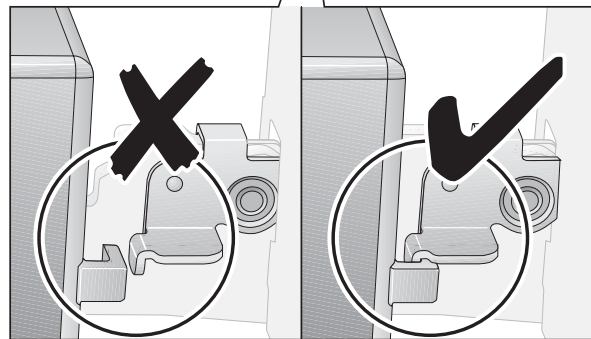
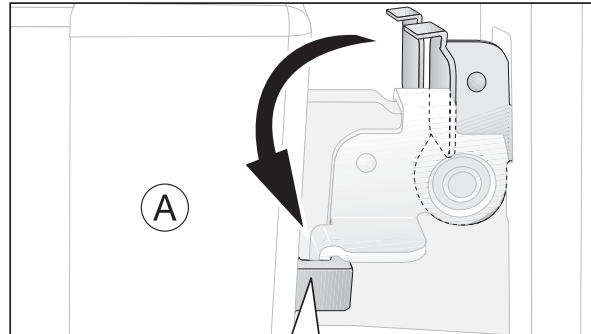
**On the open side of the door trim (B) there is a guide bar (C). This must be pushed between the outer door panel and the guide corner (D). The clip seal (E) must be snapped in.**



3. Open the oven door as far as it will go.



4. Fold up the clamping levers (A) on both door hinges back into their original positions.



5. Close the oven door.

## What to do if ...

Problem	Possible cause	Remedy
The oven does not heat up	The oven is not switched on	Switch the oven on
	The clock is not set	Set the current time on the clock
	The necessary settings have not been carried out	Check the settings
	A fuse in the house's wiring system (in the fuse box) has tripped	Check fuses If the fuses trip several times, please call a qualified electrician
The oven lighting is not operating	The oven bulb is faulty.	Replace oven bulb

**If you are unable to remedy the problem by following the above suggestions, please contact your local Service Force Centre.**



**Warning! Repairs to the appliance are only to be carried out by qualified service engineers. Considerable danger to the user may result from improper repairs.**



**If the appliance has been operated incorrectly, the engineer's visit will be chargeable, even during the warranty period.**




**Advice on cookers with metal fronts:**

**Because of the cooler surface at the front of the cooker, opening the oven door during (or just after) baking or roasting may cause the glass to steam up.**

## Electrical Connection

The oven is designed to be connected to 230-240V~(50Hz) electricity supply.

The oven has an easily accessible terminal block which is marked as follows:

- Letter L - Live terminal
- Letter N - Neutral terminal
-  - Earth terminal



### This oven must be earthed!

The cable used to connect the oven to the electrical supply must comply to the specifications given below.

#### For UK use only

Con- nec- tion via	Min. size Cable/ flex	Cable/ flex type	Fuse
Cooker Control Circuit	2,5 mm <sup>2</sup>	PVC/PVC twin and earth	min: 15A max: 20A

It is necessary that you install a double pole switch between the oven and the electricity supply (mains), with a minimum gap of 3mm between the switch contacts and of a type suitable for the required load in compliance with the current regulations. The switch must not break the yellow and green earth cable at any point.

### Important

After installation and connecting, the cable must be placed so that it cannot at any point reach a temperature of more than 50°C above the ambient temperature.

Before the oven is connected, check that the main fuse and the domestic installation can support the load; and that the power supply is properly earthed.

**The manufacturer declines any responsibility should these safety measures not be carried out.**

## Installation Instructions



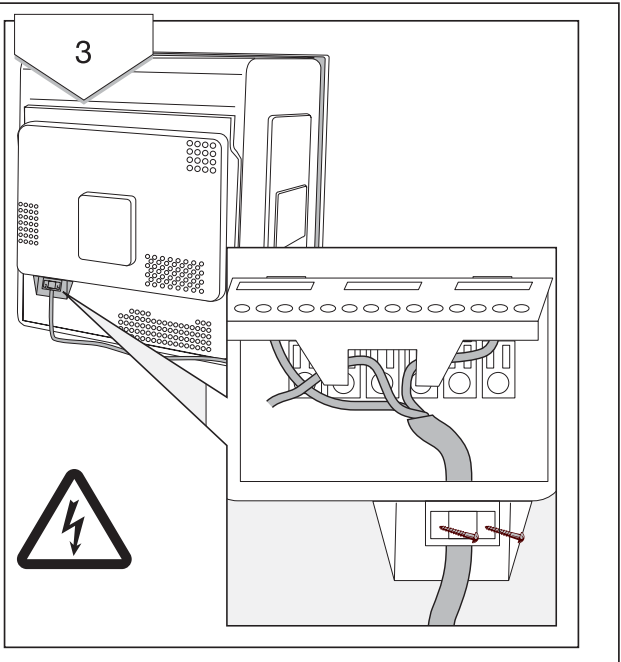
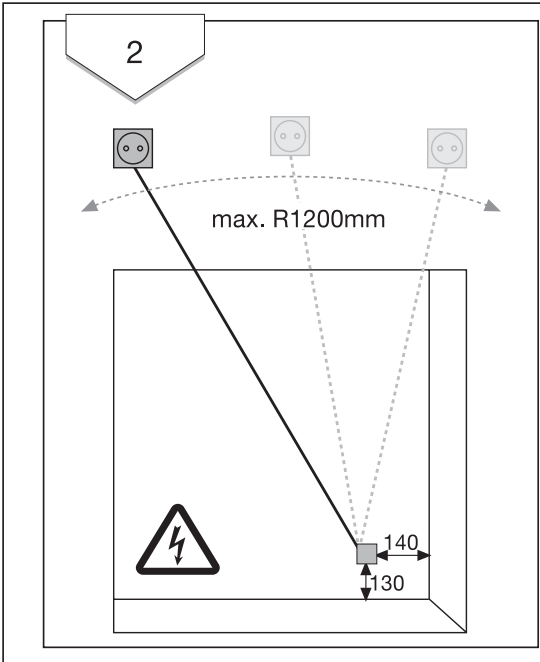
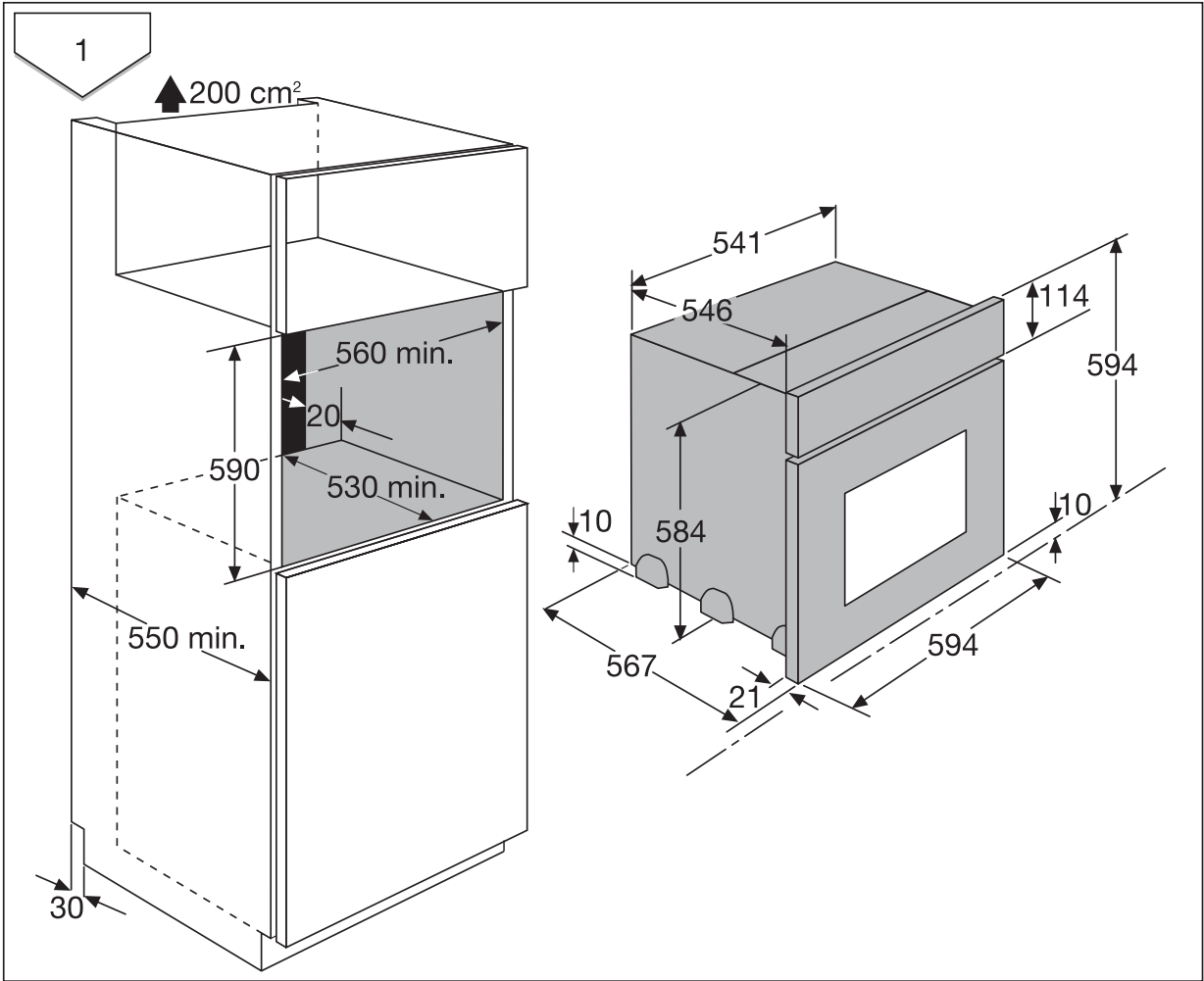
**Attention: The new appliance may only be installed and connected by a registered expert.**

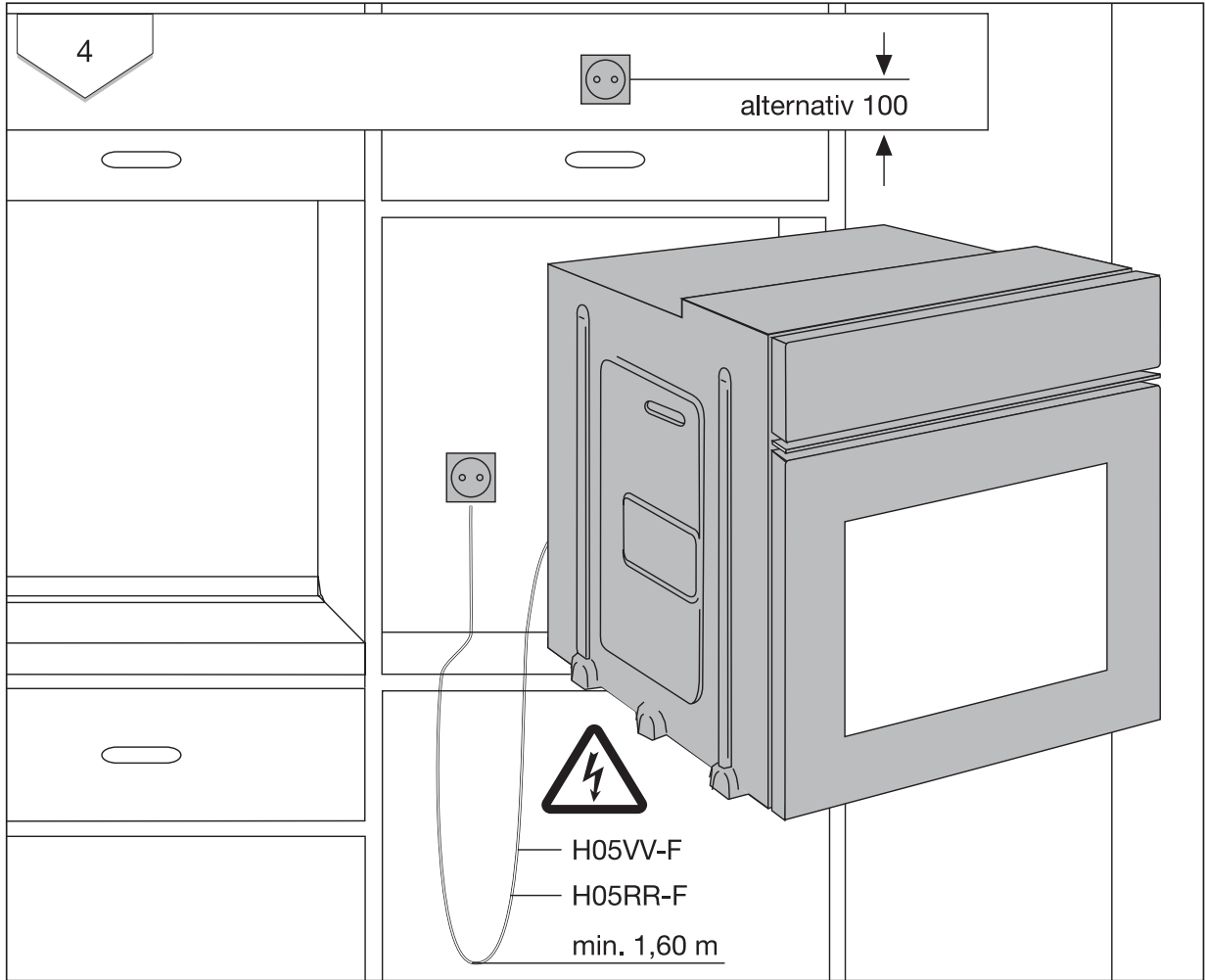
**Please comply with this. If you do not, any damage resulting is not covered by the warranty.**

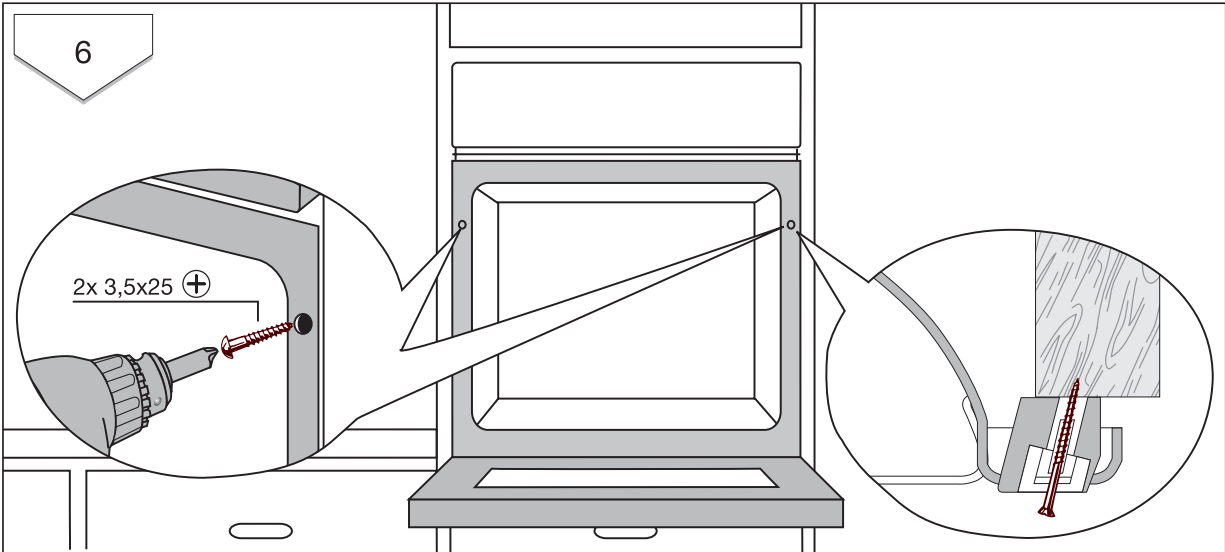
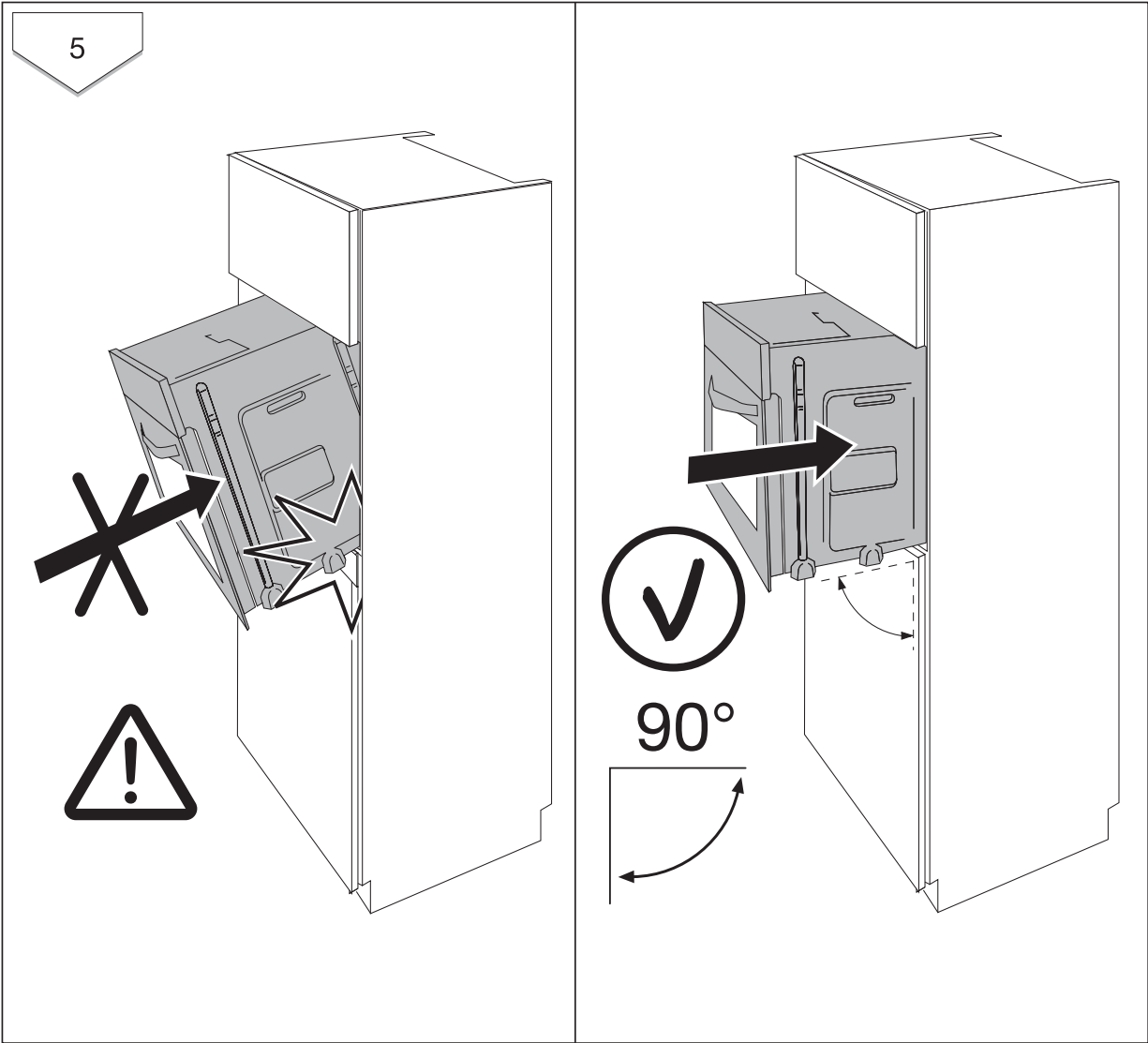


### Safety information for the installer

- The electrical installation is to be set up so that the appliance can be isolated from the mains with a minimum 3mm all-pole contact separation. Suitable separation devices include e.g. cut-outs, fuses (screw fuses are to be taken out of the holder), RCD's and contactors.
- Anti-shock protection must be provided by the installation.
- The built-in unit must meet the stability requirements of DIN 68930.
- Built-in ovens and built-in cooking surfaces are fitted with special connection systems. For safety reasons, they must only be combined with appliances from the same manufacturer.







## Disposal




### Packaging material

The packaging materials are environmentally friendly and can be recycled. The plastic components are identified by markings, e.g. >PE<, >PS<, etc. Please dispose of the packaging materials in the appropriate container at your local waste disposal facilities.



### Old appliance

The symbol  on the product or on its packaging indicates that this product may not be treated as household waste. Instead it shall be handed over to the applicable collection point for the recycling of electrical and electronic equipment. By ensuring this product is disposed of correctly, you will help prevent potential negative consequences for the environment and human health, which could otherwise be caused by inappropriate waste handling of this product. For more detailed information about recycling of this product, please contact your local city office, your household waste disposal service or the shop where you purchased the product.



**Warning:** Before disposing of old appliances please make them inoperable so that they cannot be a source of danger.

To do this, disconnect the appliance from the mains supply and remove the mains cable from the appliance.

## Guarantee/Customer Service

### **Standard guarantee conditions**

We, Electrolux, undertake that if within 12 months of the date of the purchase this Electrolux appliance or any part thereof is proved to be defective by reason only of faulty workmanship or materials, we will, at our option repair or replace the same FREE OF CHARGE for labour, materials or carriage on condition that:

- The appliance has been correctly installed and used only on the electricity supply stated on the rating plate.
- The appliance has been used for normal domestic purposes only, and in accordance with the manufacturer's instructions.
- The appliance has not been serviced, maintained, repaired, taken apart or tampered with by any person not authorised by us.
- Electrolux Service Force Centre must undertake all service work under this guarantee
- Any appliance or defective part replaced shall become the Company's property.
- This guarantee is in addition to your statutory and other legal rights.

### **Exclusions**

- Damage or calls resulting from transportation, improper use or neglect, the replacement of any light bulbs or removable parts of glass or plastic.
- Costs incurred for calls to put right an appliance which is improperly installed or calls to appliances outside the United Kingdom.

- Appliances found to be in use within a commercial environment, plus those which are subject to rental agreements.
- Products of Electrolux manufacturer that are not marketed by Electrolux

## European Guarantee

This appliance is guaranteed by Electrolux in each of the countries listed at the back of this user manual, for the period specified in the appliance guarantee or otherwise by law. If you move from one of these countries to another of the countries listed below the appliance guarantee will move with you subject to the following qualifications:

- The appliance guarantee starts from the date you first purchased the appliance which will be evidenced by production of a valid purchase document issued by the seller of the appliance.
- The appliance guarantee is for the same period and to the same extent for labour and parts as exists in your new country of residence for this particular model or range of appliances.
- The appliance guarantee is personal to the original purchaser of the appliance and cannot be transferred to another user.
- The appliance is installed and used in accordance with instructions issued by Electrolux and is only used within the home, i.e. is not used for commercial purposes.
- The appliance is installed in accordance with all relevant regulations in force within your new country of residence.

The provisions of this European Guarantee do not affect any of the rights granted to you by law.

**www.electrolux.com**

		
Albania	+35 5 4 261 450	Rr. Pjeter Bogdani Nr. 7 Tirane
Belgique/België/ Belgien	+32 2 363 04 44	Bergensesteenweg 719, 1502 Lembeek
Česká republika	+420 2 61 12 61 12	Budějovická 3, Praha 4, 140 21
Danmark	+45 70 11 74 00	Sjællandsgade 2, 7000 Fredericia
Deutschland	+49 180 32 26 622	Muggenhofer Str. 135, 90429 Nürnberg
Eesti	+37 2 66 50 030	Mustamäe tee 24, 10621 Tallinn
España	+34 902 11 63 88	Carretera M-300, Km. 29,900 Alcalá de Henares Madrid
France	www.electrolux.fr	
Great Britain	+44 8705 929 929	Addington Way, Luton, Bedfordshire LU4 9QQ
Hellas	+30 23 10 56 19 70	4 Limnou Str., 54627 Thessaloniki

		
Hrvatska	+385 1 63 23 338	Slavonska avenija 3, 10000 Zagreb
Ireland	+353 1 40 90 753	Long Mile Road Dublin 12
Italia	+39 (0) 434 558500	C.so Lino Zanussi, 26 - 33080 Porcia (PN)
Latvija	+37 17 84 59 34	Kr. Barona iela 130/2, LV-1012, Riga
Lithuania	+3702780607	Žirmūnų 67, LT-09001 Vilnius
Luxembourg	+352 42 431 301	Rue de Bitbourg, 7, L-1273 Hamm
Magyarország	+36 1 252 1773	H-1142 Budapest XIV, Erzsébet királyné útja 87
Nederland	+31 17 24 68 300	Vennootsweg 1, 2404 CG - Alphen aan den Rijn
Norge	+47 81 5 30 222	Risløkkvn. 2 , 0508 Oslo
Österreich	+43 18 66 400	Herziggasse 9, 1230 Wien
Polska	+48 22 43 47 300	ul. Kolejowa 5/7, Warszawa
Portugal	+35 12 14 40 39 39	Quinta da Fonte - Edificio Gonçalves Zarco - Q 35 2774 - 518 Paço de Arcos
Romania	+40 21 451 20 30	Str. Garii Progresului 2, S4, 040671 RO
Schweiz/Suisse/ Svizzera	+41 62 88 99 111	Industriestrasse 10, CH-5506 Mägenwil
Slovenija	+38 61 24 25 731	Electrolux Ljubljana d.o.o. Gerbičeva 98, 1000 Ljubljana
Slovensko	+421 2 43 33 43 22	Electrolux Slovakia s.r.o., Electrolux Domáce spotrebiče SK, Seberínho 1, 821 03 Bratisla- va
Suomi	www.electrolux.fi	
Sverige	+46 (0)771 76 76 76	Electrolux Service, S:t Göransgatan 143, S-105 45 Stockholm
Türkiye	+90 21 22 93 10 25	Tarlabası caddesi no : 35 Taksim Istanbul
Россия	+7 495 937 7837	129090 Москва, Олимпийский проспект, 16, БЦ „Олимпик“
Україна	+380 44 586 20 60	04074 Київ, вул.Автозаводська, 2а, БЦ „Алкон“

## Service and Spare Parts

If the event of your appliance requiring service, or if you wish to purchase spare parts, please contact Service Force by telephoning:

**0870 5 929 929**

Your telephone call will be automatically routed to the Service Force Centre covering your post code area.

For the address of your local Service Force Centre and further information about Service Force, please visit the website at

**www.serviceforce.co.uk**

Before calling out an engineer, please ensure you have read the details under the heading „What to do if...“

When you contact the Service Force Centre you will need to give the following details:

1. Your name, address and post code.
2. Your telephone number.
3. Clear and concise details of the fault.
4. The model and serial number of the appliance (found on the rating plate)
5. The purchase date.

Please note that a valid purchase receipt or guarantee documentation is required for in-guarantee service calls.

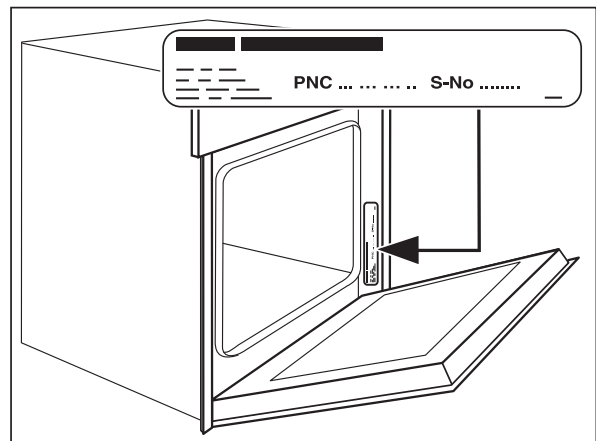
### **Customer Care**

For general enquiries concerning your Electrolux appliance, or for further information on Electrolux products please contact our Customer Care Department by letter or telephone at the address below or visit our website at

**www.electrolux.co.uk.**

Customer Care Department  
Major Appliances  
Electrolux  
Addington Way  
Luton  
Bedfordshire, LU4 9QQ  
Tel: 08705 350350 (\*)

**For Customer Service in the Republic of Ireland** please contact us at the address below:  
AEG/ Electrolux Group (Ire) Ltd  
Long Mile Road/ Dublin 12  
Republic of Ireland  
Tel: +353 (0) 1 4090753  
Email: service.eid@electrolux.ie



(\*) Calls may be recorded for training purposes



[www.electrolux.com](http://www.electrolux.com)

[www.electrolux.co.uk](http://www.electrolux.co.uk)