



Electrolux

Modular Cooking Range Line 700XP Freestanding Gas Pasta Cooker, 2 Wells 24.5 litres

ITEM # _____

MODEL # _____

NAME # _____

SIS # _____

AIA # _____



Electrolux



Modular Cooking Range Line

700XP Freestanding Gas Pasta Cooker, 2 Wells 24.5 litres

371091 (E7PCGH2KF0)

700XP FREESTANDING GAS
PASTA COOKER, 24.5 LT
WELL, 2 WELLS

Short Form Specification

Item No.

High efficiency 21 kW burners. Suitable for natural gas or LPG. Constant starch removal during the cooking process. The tank is pressed in AISI 316 stainless steel to protect against corrosion. Control panel with gas cock, piezo ignition. Manual water tap. Height adjustable feet in stainless steel. Exterior panels in stainless steel with Scotch Brite finish. One piece pressed work top in 1.5 mm thick stainless steel. Right-angled side edges to allow flush-fitting junction between units.

Main Features

- In addition to cooking pasta, the appliance can be used for noodles of every kind, rice, dumplings, vegetables and soups for large or small servings.
- High efficiency 21 kW burners in stainless steel with flame failure device and optimized combustion, located below the well.
- No electrical connection needed.
- Water basins in 316 type Stainless steel.
- Water basins are seamlessly welded into the top of the appliance.
- Drainage surface is provided on which baskets can be placed for draining purposes.
- 24.5 liters water basins.
- Unit to feature skimming zone for starch removal: improved water quality over time.
- Easy-to-use control panel with gas cock and piezo ignition.
- Safety thermostat to avoid operation without water.
- Continuous water filling regulated through a manual water tap.
- Large drain with manual ball-valve for fast emptying of well.
- **ESD** available as accessory (installed separately): energy saving device uses heat produced by water drained through the overflow to pre-heat tap-in water up to 60°C, for constant water boiling.
- **EnergyControl**: unique feature for fine power control to control boiling level and optimize energy consumption.
- **Automatic lifting system** (optional accessory): 200mm wide unit with two stainless steel basket supports, holding one GN 1/2 basket each, to be placed on either or both sides of machine to provide automatic lifting for four small portion baskets (to be ordered separately). Possibility to memorize nine cooking times through digital control.
- All major compartments located in front of unit for ease of maintenance.
- IPX4 water resistance certification.
- Unit delivered with four 50 mm legs in stainless steel as standard (all round Stainless steel kick plates as option).

Construction

- Exterior panels in Stainless Steel with Scotch Brite finish.
- One piece pressed 1.5 mm work top in Stainless steel.
- Model has right-angled side edges to allow flush fitting joints between units, eliminating gaps and possible dirt traps.

Included Accessories

Optional Accessories

- Pair of side kicking strips PNC 206249
- Pair of side kicking strips for concrete installation PNC 206265
- Water column with swivel arm (water column extension not included) PNC 206289
- Water column extension for 700 line PNC 206291

APPROVAL: _____



Electrolux

Modular Cooking Range Line 700XP Freestanding Gas Pasta Cooker, 2 Wells 24.5 litres

- Support frame for 4 baskets for 24,5lt pasta cookers PNC 921606
- Lid for 24,5lt pasta cookers PNC 921607
- 2 half size baskets 170x220 for 24,5lt pasta cookers PNC 921610
- Full size basket for 24,5lt pasta cookers PNC 921611
- 4 baskets 105x160 for 24,5lt pasta cookers (921606 must be ordered together) PNC 921618
- 2 half size baskets 105x350 for pasta cookers for 24,5lt pasta cookers PNC 921619
- Pressure regulator for gas units PNC 927225



Modular Cooking Range Line
700XP Freestanding Gas Pasta Cooker, 2 Wells 24.5 litres

The company reserves the right to make modifications to the products without prior notice. All information correct at time of printing.

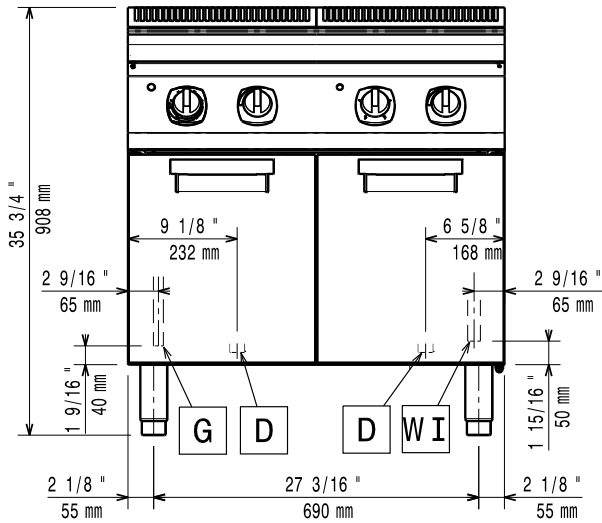
2011.02.11



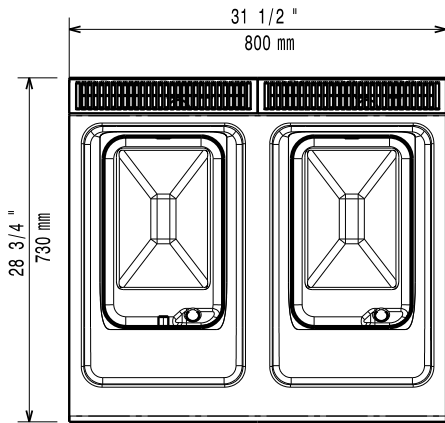
Electrolux

Modular Cooking Range Line 700XP Freestanding Gas Pasta Cooker, 2 Wells 24.5 litres

Front

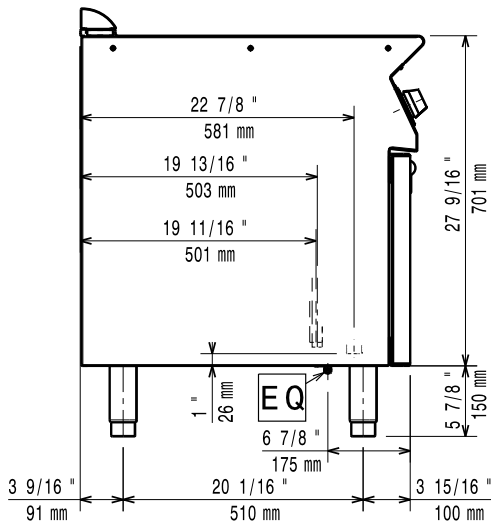


Top



- CWI = Cold Water inlet
- D = Drain
- DO = Overflow drain pipe
- G = Gas connection

Side



Gas

Gas Power:	
371091(E7PCGH2KF0)	71589 Btu/hr (21 kW)
Gas Type Option:	LPG
Gas Inlet:	1/2" NPT
Natural gas - Pressure:	7" w.c. (17.4 mbar)
LPG Gas Pressure:	11" w.c. (27.7 mbar)

Water:

Drain "D":	1"
Incoming Cold Water line size:	1/2"
Total hardness:	5-50 ppm
<i>Electrolux recommends the use of treated water, based on testing of specific water conditions.</i>	
Please refer to user manual for detailed water quality information.	

Key Information:

Usable well dimensions (width):	250 mm
Usable well dimensions (height):	300 mm
Usable well dimensions (depth):	400 mm
Well Capacity (MAX):	24.5 lt MAX
Net weight:	50 kg
Shipping weight:	85 kg
Shipping height:	850 mm
Shipping width:	800 mm
Shipping depth:	730 mm
Shipping volume:	0.48 m ³

If appliance is set up or next to or against temperature sensitive furniture or similar, a safety gap of approximately 150 mm should be maintained or some form of heat insulation fitted.

Modular Cooking Range Line
700XP Freestanding Gas Pasta Cooker, 2 Wells 24.5 litres

The company reserves the right to make modifications to the products without prior notice. All information correct at time of printing.

