



Electrolux

Upright Vacuum Cleaner

Household Type

Owner's Guide

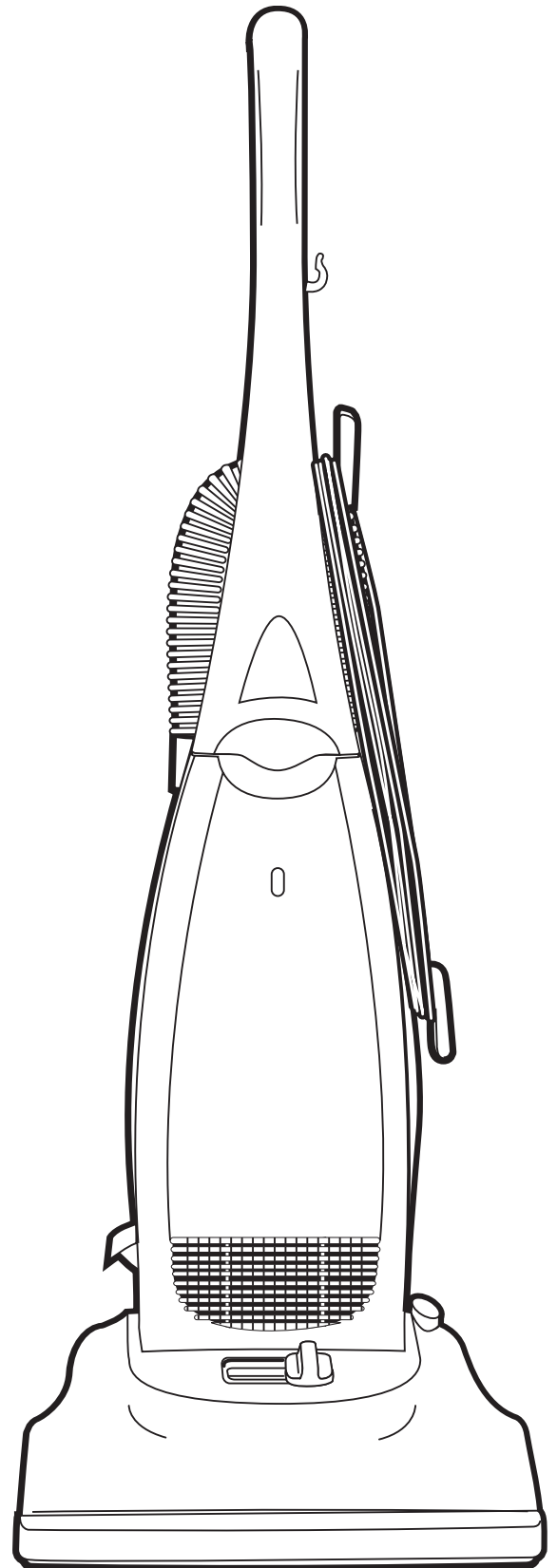
Z2270-Z2290 Series

Index

Important Safeguards	2
Service Information	4
Assembly	5-6
Use	7
Thermal Cut Off	4 & 7
Accessories	8
Brush Roll	9
Brush Roll Belt	9-10
Dust Bag	10-11
Hose Blockage	12-13
Motor Filter	14
Bonus Hose	15
Problem Solving	17
Guarantee	4

IMPORTANT

For any advice
on your cleaner and to
order dust bags, filters
and accessories,
please telephone
the Customer helpline
08706 055055



IMPORTANT SAFEGUARDS

When using an electrical appliance, basic precautions should always be followed, including the following:

READ ALL INSTRUCTIONS BEFORE USING THIS VACUUM CLEANER.

WARNING

To reduce the risk of fire, electric shock, or injury:

- Do not use outdoors or on wet surfaces.
- **Do not leave vacuum cleaner when plugged in.** Turn off the switch and unplug the electrical cord when not in use and before servicing.
- Do not allow to be used as a toy. Close attention is necessary when used by or near children.
- Use only as described in this manual. Use only manufacturer's recommended attachments.
- Do not use with damaged cord or plug. If vacuum cleaner is not working as it should, has been dropped, damaged, left outdoors, or dropped into water, return it to a service center before using.
- Do not pull or carry by cord, use cord as a handle, close a door on cord, or pull cord around sharp edges or corners. Do not run vacuum cleaner over cord. Keep cord away from heated surfaces.
- Do not use extension cords or outlets with inadequate current carrying capacity.
- Turn off all controls before unplugging.
- Do not unplug by pulling on cord. To unplug, grasp the plug, not the cord.
- Do not handle plug or vacuum cleaner with wet hands.
- Do not put any object into openings. Do not use with any opening blocked; keep free of dust, lint, hair, and anything that may reduce airflow.
- This vacuum cleaner creates suction and contains a revolving brush roll. Keep hair, loose clothing, fingers, and all parts of body away from openings and moving parts.
- Do not place cleaner on furniture or stairs as the brush roll may cause damage. Place cleaner on floor with the handle in storage position while using attachments.
- Do not pick up anything that is burning or smoking, such as cigarettes, matches, or hot ashes.
- Do not use without dust bag in place.
- Belt pulleys can become hot during normal use. To prevent burns, avoid touching the belt pulley when servicing the drive belt.
- Use extra care when cleaning on stairs.
- Do not use to pick up flammable or combustible liquids such as gasoline, or use in areas where they may be present.
- Store your cleaner indoors in a cool, dry area.
- Keep your work area well lighted.
- Unplug electrical appliances before vacuuming them.

PLEASE SAVE THESE INSTRUCTIONS

WARNING

The brush in the cleaning head rotates at high speed and can cause damage to the mains supply cable if the cleaner passes over it during cleaning operations.

Care should be taken to ensure that this does not happen. If the cleaning head has accidentally passed over the mains supply cable the following action should be taken:

1. Switch off and remove the plug from the socket outlet.
2. Examine the mains supply cable for damage (only after removing the plug from the socket outlet).
3. If there is any sign of damage to the supply cable it **MUST** be renewed. The repair **MUST** be carried out by an Electrolux Service Agent or a similar qualified person.
4. **NEVER** use the machine with a damaged mains supply cable.

Proprietary carpet conditioning and air freshening materials

After using proprietary carpet conditioning powders, it is recommended that the filters be changed. Some of these preparations contain substances which if left in the vacuum cleaner for extended periods could damage the plastic mouldings which form the structure of the cleaner.

Many air fresheners, household deodorants, sprays and polishes contain a highly flammable gas propellant.

Because of this, it is particularly important that these products are used strictly in accordance with the relevant manufacturer's instructions.

It is essential that none of the above products are sprayed directly into the vacuum cleaner or any of its filters, hose assembly, dustbag chamber or dust cup.

Thermal Cut Off

This vacuum cleaner has a special thermostat that protects the cleaner in case of motor overheating. If the cleaner switches off, push the switch pedal once and unplug the cleaner. Check the cleaner for a possible source of overheating such as a full dust cup, a blocked hose or clogged filter. If these conditions are found, fix them and wait at least 60 minutes before attempting to use the cleaner. After the 60 minute period, plug the cleaner back in and push the on/off switch On (I). If the cleaner still does not run, please call Electrolux Customer Care.

BEFORE YOU START

CHECK THE VOLTAGE

Before connecting the cleaner to an electrical supply, ensure that the voltage shown on the rating plate located beneath the cleaner is of the correct voltage for your electricity supply. If it is not, do not use the cleaner but refer back to your dealer.

CONNECTING TO YOUR ELECTRICITY SUPPLY

Permanently connected to the cleaner is a mains supply (2-core) cable fitted with a non-rewirable plug incorporating a 13A fuse.

In the event of the fuse requiring replacement the fuse cover should be removed using a small screwdriver. The old fuse **MUST** be replaced by a 13A ASTA approved BS1362 fuse or a BSI approved fuse. The cover must be replaced before the plug is used again. In the event of loss of the fuse cover, replacements can be obtained from your Electrolux Retailers and must be of the same colour as indicated by the coloured insert on the base of the plug.

If difficulty is experienced in obtaining a replacement, contact Electrolux Customer Services on 08706 055055.

In no circumstances must the plug be used without a correct fuse cover fitted.

If the plug that is fitted to your appliance is not suitable for your socket outlet, it must be cut off and the appropriate plug fitted.

Remove the fuse from the cut off plug.

The cut off plug should then be disposed of to prevent the hazard of shocks in case it should be plugged into a 13 amp socket in another part of your home.

The wires in the mains cable of this appliance are coloured in accordance with the following code: **Blue: Neutral. Brown: Live.**

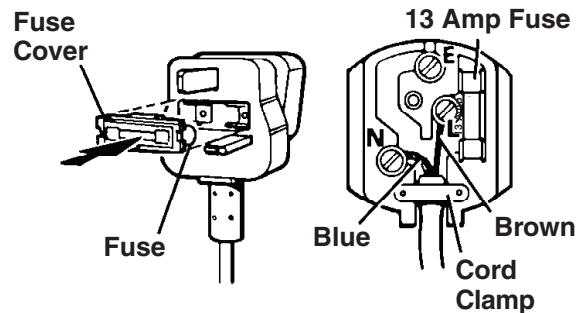
As the colours of the wires in the mains cable of this appliance may not correspond with the coloured markings identifying the terminals in your plug, proceed as follows:


The wire which is coloured blue must be connected to the terminal which is marked with the letter N or coloured black.

The wire which is coloured brown must be connected to the terminal which is marked with the letter L or coloured red.

If using a three-pin plug, do not make any connection to the terminal marked with the letter E or by the earth symbol or coloured green or green-and-yellow. This cleaner is double insulated and no earth connection is necessary.

It is in your interest to ensure that the plug is correctly attached to the mains cable. In case of doubt, consult a qualified electrician, as Electrolux cannot regard the repair of faults on the plug connection as a service that can be given free of charge under the terms of the guarantee.



The symbol  on the product or on its packaging indicates that this product may not be treated as household waste. Instead it shall be handed over to the applicable collection point for the recycling of electrical and electronic equipment. By ensuring this product is disposed of correctly, you will help prevent potential negative consequences for the environment and human health, which could otherwise be caused by inappropriate waste handling of this product. For more detailed information about recycling of this product, please contact your local city office, your household waste disposal service or the shop where you purchased the product.

SERVICE

Should you require service on your Electrolux cleaner, please telephone Electrolux on 08706 055055. Before requesting service, please check whether your problem is covered under Service Checklist (see below).

New filter pads, dust bags, brush rollers and drive belts can be obtained from Electrolux Retailers. If difficulty is experienced in obtaining spares, please contact Electrolux on 08706 055055.

SERVICE CHECKLIST

- **If** your cleaner will not operate, check the plug connection, plug fuse and mains fuse.
- **Never allow** the dust bag to become so full that it impedes the air-flow, thus reducing the cleaning efficiency of the machine. The character of household dust and its effect on the air-flow through the machine may vary considerably. Fluffy dust allows air to pass through readily whereas fine powdery dust or proprietary cleaning powders, pack tightly in the dust bag, offering greater resistance to air-flow and will reduce cleaning efficiency if the bag becomes overloaded. Always ensure that you have a spare genuine Electrolux dust bag.
- **Always store** your cleaner and spare dust bags/filters in a dry place.
- **Renew** the filter pads three or four times a year. This is essential to ensure continued high filtration of dust particles.
- **Sucking up** such items as stockings, clippings of cloth, sizeable pieces of paper, wrappings from cigarette packets or sweets etc., may block the hose. **Electrolux regrets that the clearing of blocked hoses cannot be regarded as service that can be given free of charge, under the guarantee.** Should a blockage occur, first disconnect the cleaner from the electricity supply, refer to section headed "Blockages". If these operations are not successful, contact us on 08706 055055.
- **Never** pick up hot cinders or lighted cigarette ends.
- **Make certain that your cleaner does not come into contact with water or any other liquid. It is not designed as a wet pick up cleaner, and must never be used on damp carpets or wet floors.**

Important - in the event of the mains supply cable of this vacuum cleaner requiring replacement, we recommend that this be carried out by Electrolux Service Staff.

Spares

New filters, dust bags, brush rollers and drive belts can be obtained from Authorised Electrolux Dealers and electrical retailers. If difficulty is experienced in obtaining spares please call us on 08706 055055.

Guarantee

This guarantee is in addition to your statutory and other legal rights.

This product is for household use only.

Electrolux products are carefully designed, manufactured, tested and inspected and, in consequence, we undertake to replace or repair any part found to be defective in material or workmanship, within one year of delivery to the original purchaser, free of charge. You may be required to take the product to your nearest service provider if the product requires attention during the first year.

There are certain conditions which may invalidate this guarantee:

- a. It is dependent upon the appliance being correctly installed and used in accordance with the Company's instructions under normal domestic conditions within the United Kingdom or the Republic of Ireland.
- b. Service at all times must be carried out by an Electrolux Service Representative or authorised agent.
- c. The guarantee may be invalidated by unauthorised repair or modification of the appliance.
- d. You may be charged by Electrolux if you call for an engineer to resolve a problem that we believe is covered in the instruction booklet. (example: blocked/dirty filters)

The Company does not accept liability for defects arising from neglect, misuse or accident. This guarantee excludes such normal wearing parts as drive belts, brushes, filters and dust bags as the life of these depends upon the amount and nature of use.

Proof of the date of purchase will be required before service under guarantee is provided. Please call 08706 055055 for assistance.

Important:

For future reference we suggest you record the following details here, and keep the receipt with the handbook as proof of purchase.

Purchased from _____

Date purchased _____ Model no _____

HOW TO ASSEMBLE

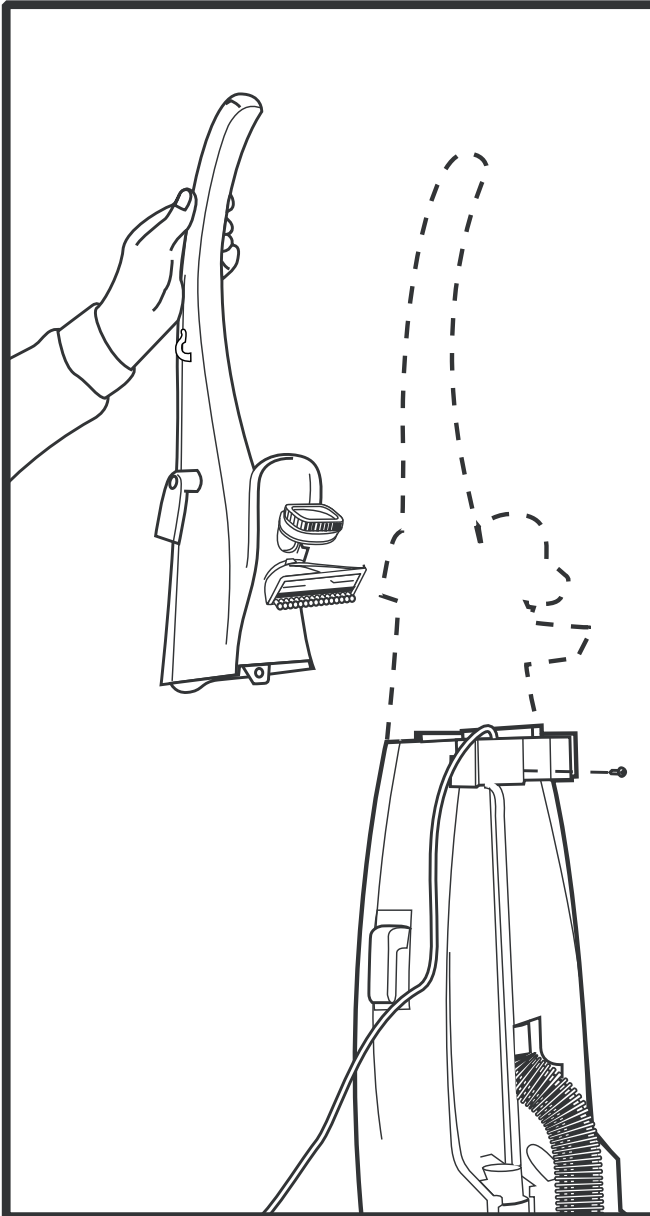
CAUTION: Assemble the cleaner before using.

CAUTION: Moving parts, make sure on/off switch is in off position before plugging in.

NOTE: Features may vary by model yet all parts assemble the same.

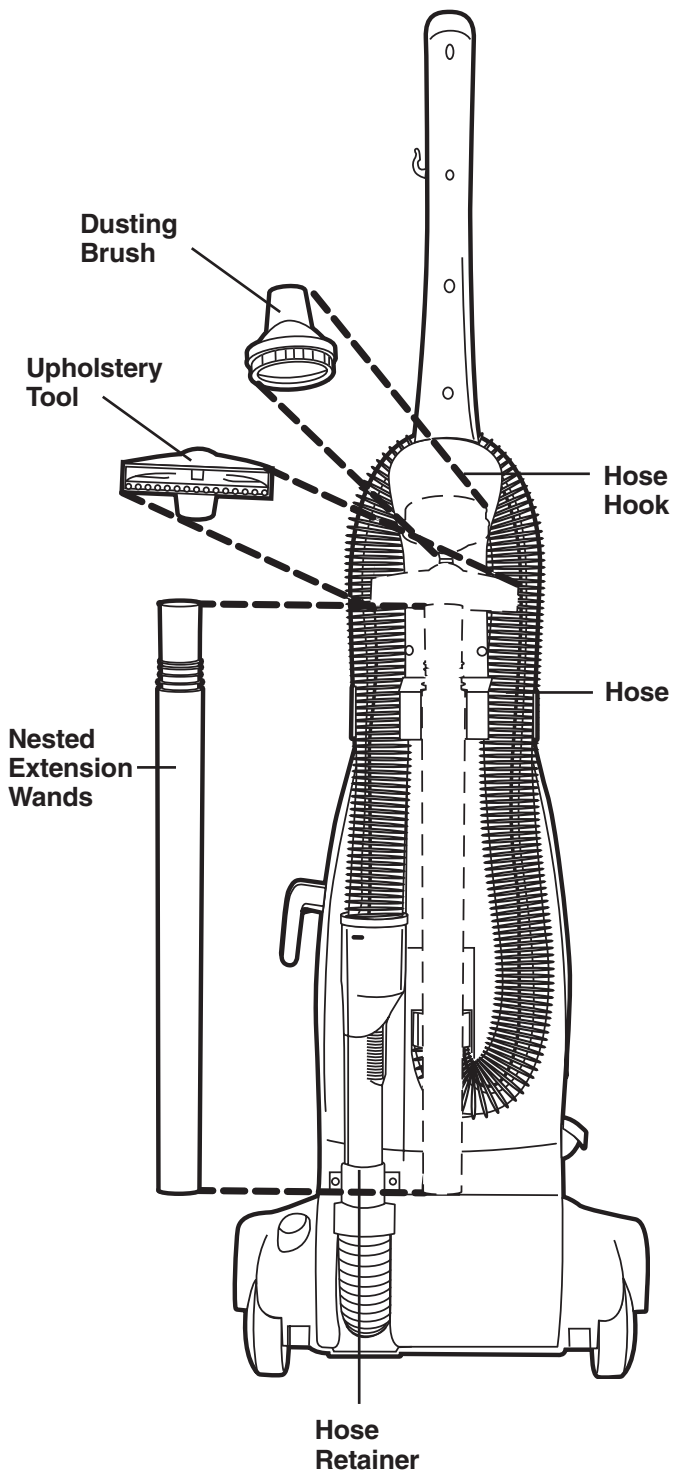
Step A Attach Handle

CAUTION: Do not catch cord under handle.

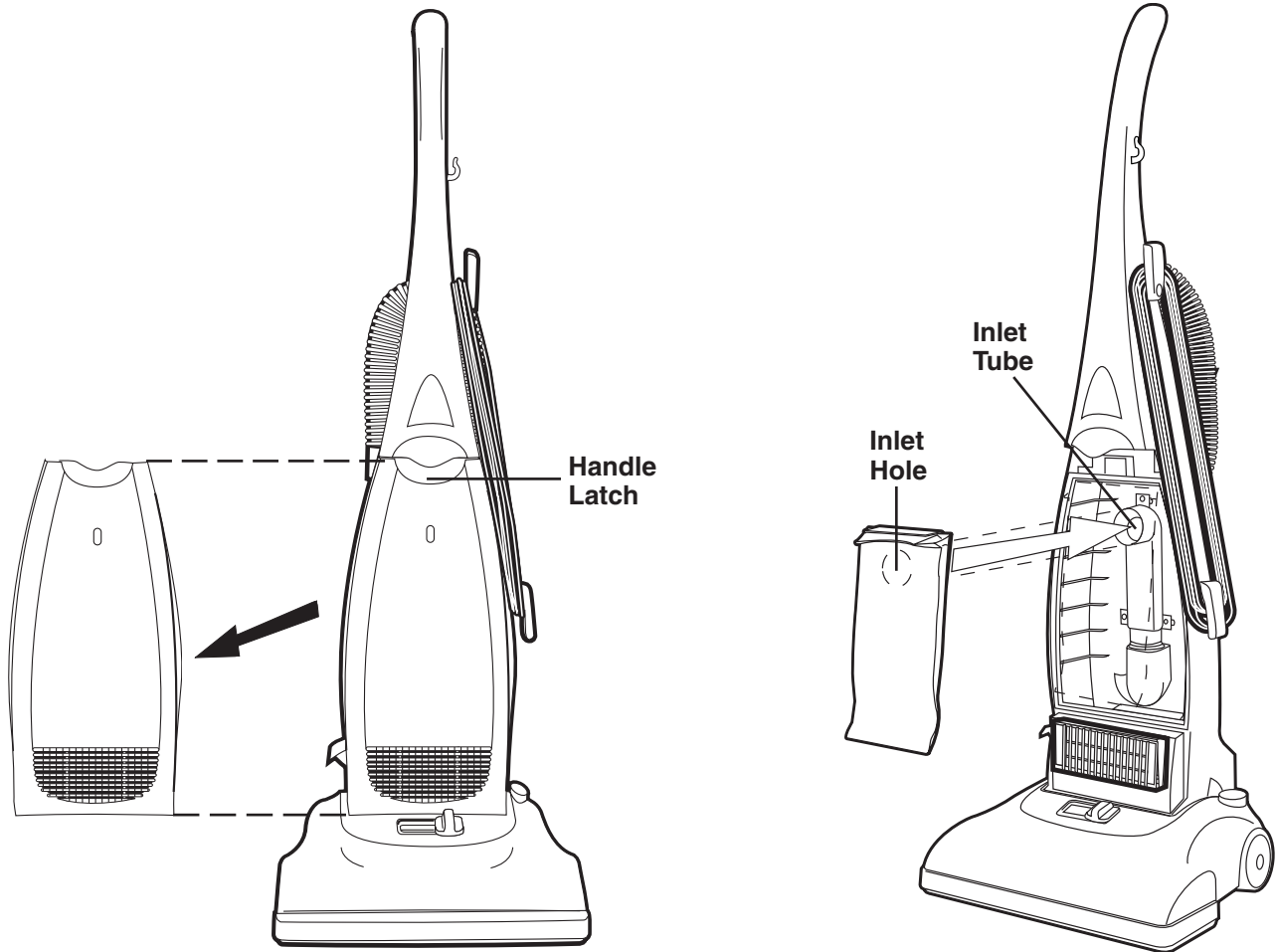


1. **Remove bag cover.**
2. From front of cleaner, align handle with groove and slide onto cleaner. If necessary, use thumb and finger pressure to slide handle into position.
3. Attach handle with 5/8 inch screw in the assembly packet. Use a Phillips® head screwdriver.

Step B Store Hose and Accessories



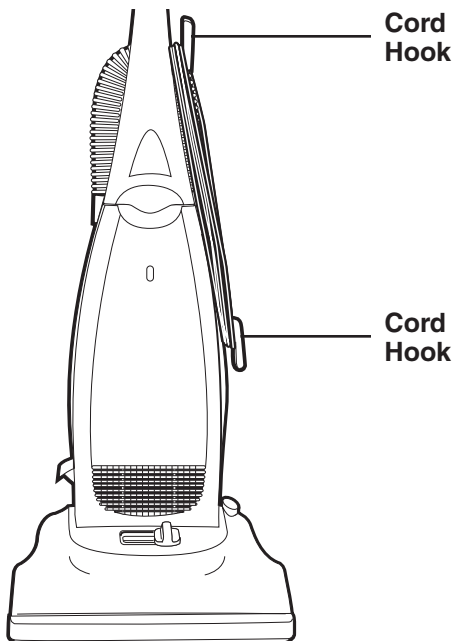
Step C Check Disposable Dust Bag/Reusable Cloth Bag (on some models)



4. Remove front cover. Press down on handle latch and lift cover away from cleaner.

5. Check to be sure the paper bag/reusable cloth bag inlet hole is secure on the inlet tube.

Step D Store Electrical Cord



6. Replace front bag cover. Place the tabs on the bottom of the front cover into slots at bottom of bag compartment and press cover against unit until it clicks shut.

7. Next wind the cord around the two cord hooks on the right side of cleaner. On some models the upper cord hook turns to release the cord. Turn the hook up to store the cord.

NOTE: For easier access to bag compartment, when you store the electrical cord use a figure 8 pattern.

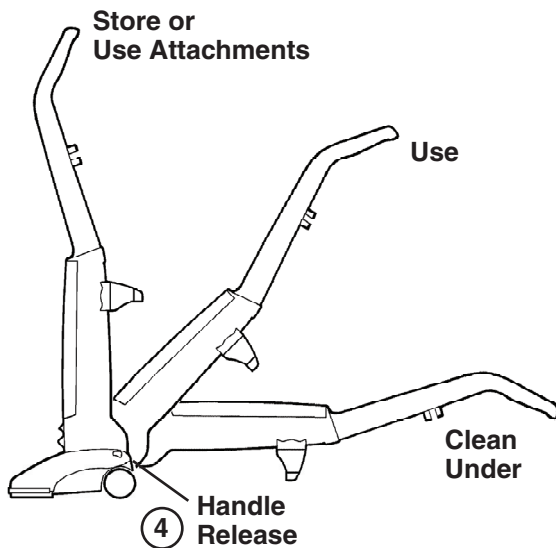
8. Secure the plug to the cord to prevent unwinding.

HOW TO USE

The upright vacuum cleaner design allows use on multiple types of carpeting and on upholstery or bare floors with attachments.

When using the attachment tools, place the handle in the upright position. Do not place cleaner on furniture or steps as the brush roll may cause damage.

1. Adjust cleaner height setting knob to lowest position for maximum cleaning. Adjust to a higher setting to make pushing easier. For easy adjustments, tilt the cleaner back to move the setting knob.
2. Unwind all of the electrical cord. The upper cord hook rotates downward to release cord. When storing cord twist back to upright position.
3. Plug electrical cord into outlet.
4. Step on handle release. Pull handle back to a comfortable position.
5. Push On or Off power switch.



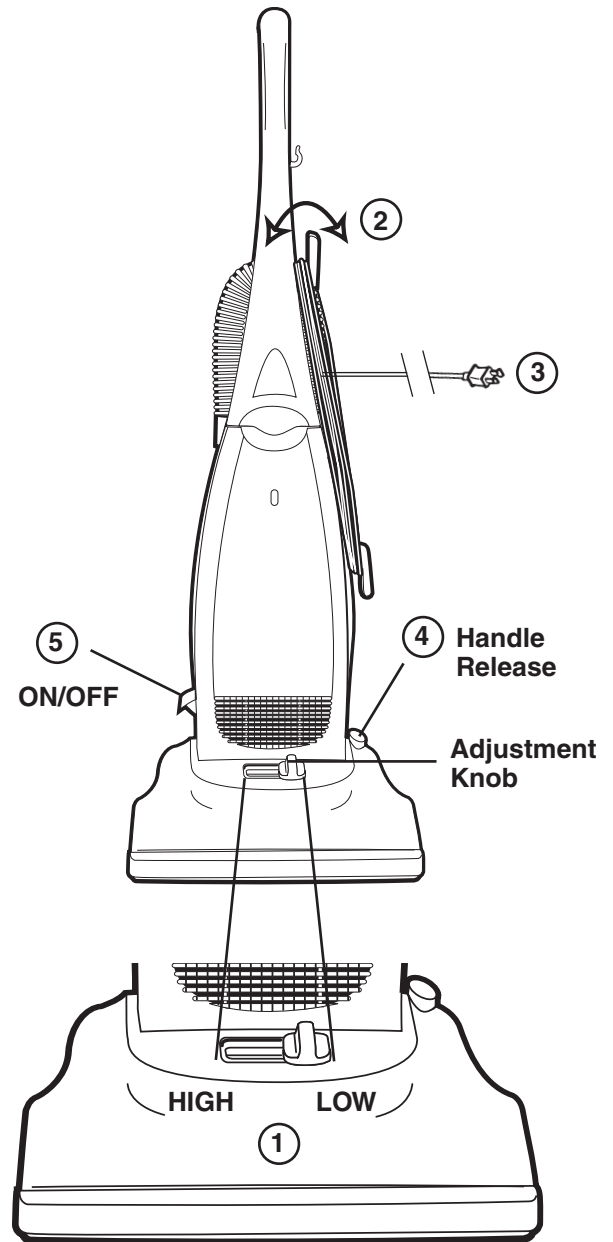
Cleaner Height Setting

WARNING: Avoid injury. Keep loose clothing, hair, fingers, and all other parts of body away from any moving part (such as the revolving brush). Turn off the switch and unplug the cleaner before changing the cleaner height setting.

The front of the cleaner has an adjustment that raises or lowers the cleaner base to match the type of carpet. With the cleaner cord unplugged, set the adjustment to lowest setting for maximum cleaning. If the cleaner is difficult to push, move adjustment to next highest setting until cleaner is comfortable to push. The brush roll bristles must reach the carpet for effective cleaning.

NOTE: For ease in moving the adjustment knob, place handle in operating position and tilt cleaner back to remove weight from front wheels.

NOTE: When handle is in upright position, brush roll is lifted off carpet. This is normal. Height adjustment will not change brush roll level until the cleaner's handle is moved into the operating position.



Thermal Cut Off

This cleaner has a special thermostat that protects the cleaner in case of motor overheating. If the cleaner suddenly turns off, follow this procedure:

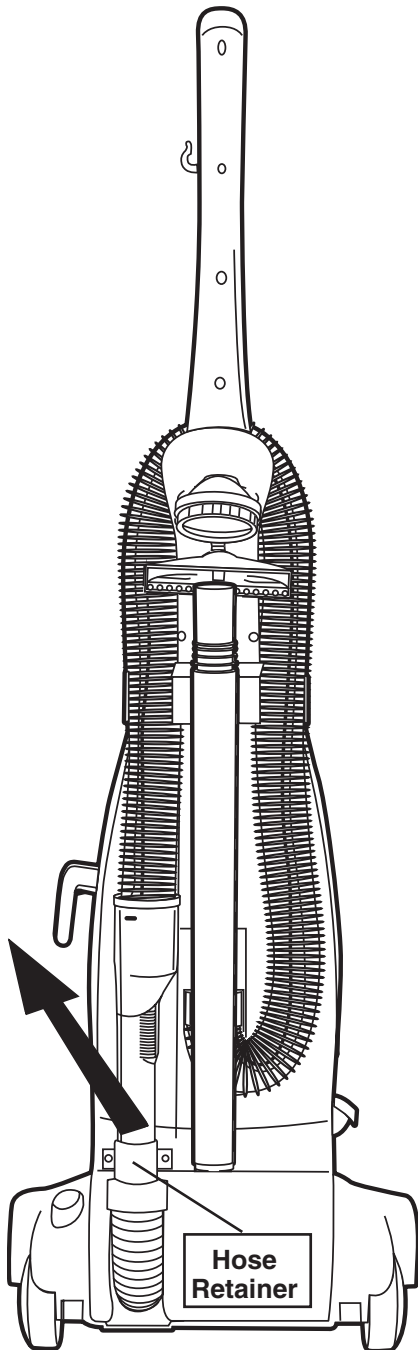
1. Push on/off pedal once.
2. Unplug cleaner.
3. Check for source of overheating problem (i.e. full bag, clogged hose or clogged filter).
4. If a full bag, clogged hose or clogged filter is found, replace the bag, unclog the hose or replace the filters.
5. Wait at least 30 minutes before attempting to reuse the cleaner.
6. After 30 minute cool down period, plug the cleaner in and push the switch pedal. The cleaner should turn on.
7. If the cleaner still does not operate, take it to any Electrolux Service Centre for repair.

How To Use Accessories

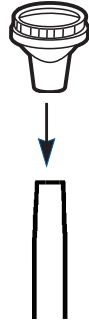
NOTE: Do not place cleaner on furniture or steps as the brush roll may cause damage. Place cleaner on floor with the handle in storage position while using accessories.

1. Remove hose from rear of cleaner.
2. Place desired accessory onto end of hose.

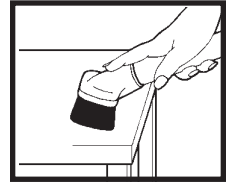
⚠ Always work with the cleaner at a level below you, pulling hose from side of cleaner; not the back or the front of the cleaner.



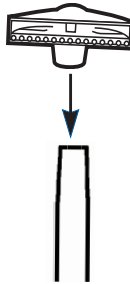
Dusting Brush is for furniture, blinds, books, lamp shades, shelves. (On some models.)



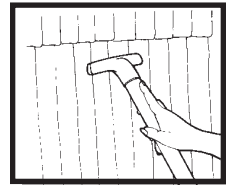
Dusting Brush



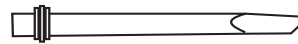
Upholstery Nozzle is for curtains, draperies, cushions, fabrics. (On some models.)



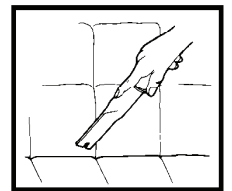
Upholstery Nozzle



Crevice Tool cleans corners, baseboards, between cushions. It is located on the end of one of the nesting wands.



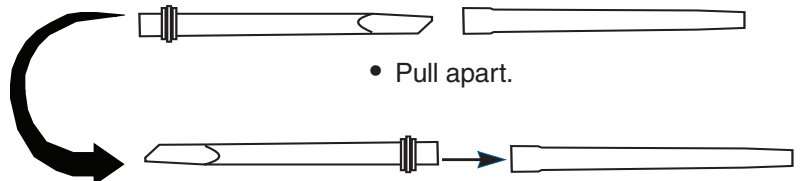
Crevice Tool



Nested Extension Wands to add reach.



- Grasp both wands near ridges.



- Pull apart.
- Turn ridge end to center.
- Push wands together.

HOW TO MAINTAIN

The instructions in this booklet serve as a guide to routine maintenance. To avoid unnecessary service calls, check the bag, belt, and brush roll often.

Brush Roll

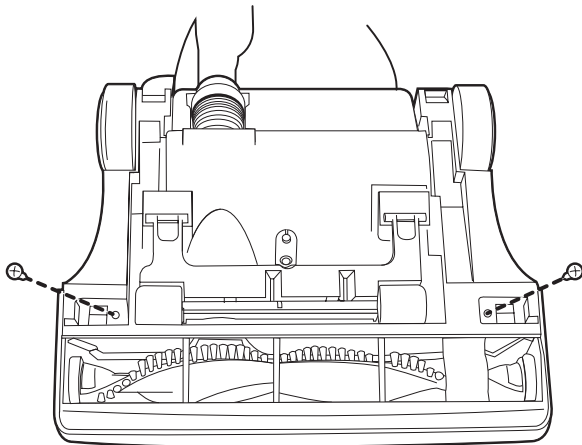
The brush roll turns as it sweeps and combs the carpet nap. Remove hair and threads from the brush roll so it continues brushing the carpet. To maintain the most efficient cleaning, the bristles must touch the carpet. To test the bristle length, hold a ruler against the underneath side of the cleaner. If the bristles no longer touch the ruler, replace the brush roll.

Brush Roll Belt

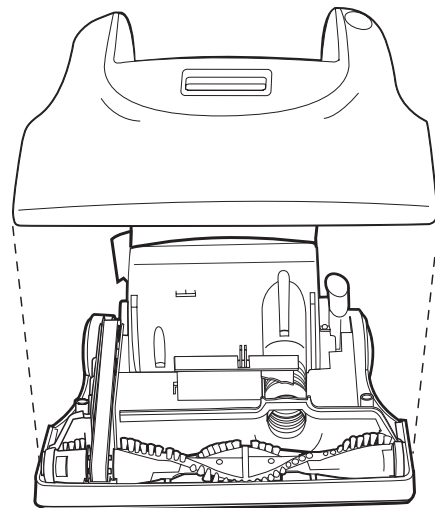
The brush roll belt turns the brush roll to agitate, sweep, and comb the carpet nap. Check the belt regularly to be sure it is in good condition. Replace the belt if it stretches, cracks or loses tension. Cut away any hair or threads wound around the brush roll or the belt pulley because the buildup could cause the belt to rotate unevenly.

How To Replace Brush Roll Belt

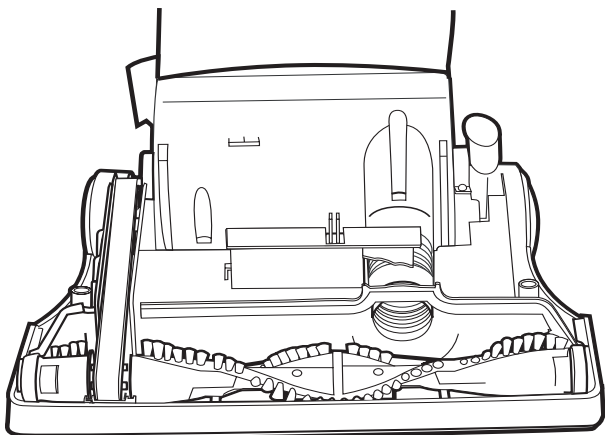
NOTE: Turn off the switch and unplug the electrical cord before replacing belt. Belt pulleys can become hot during normal use. To prevent injury, avoid touching the motor pulley when checking the belt.



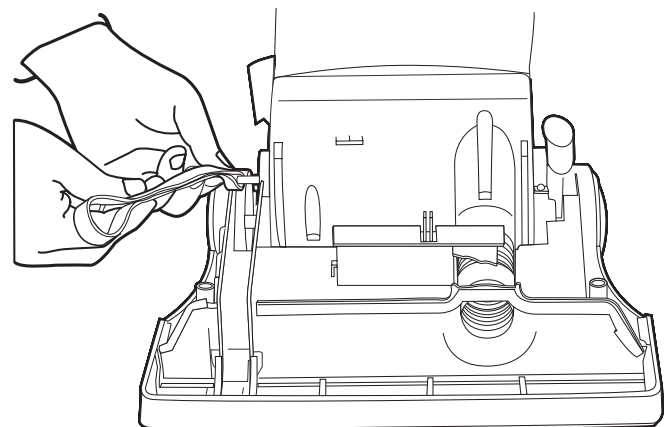
1. Lower handle to floor to change belt. Turn cleaner over so the bottom of the powerhead is facing up.
2. Remove two screws to release hood.



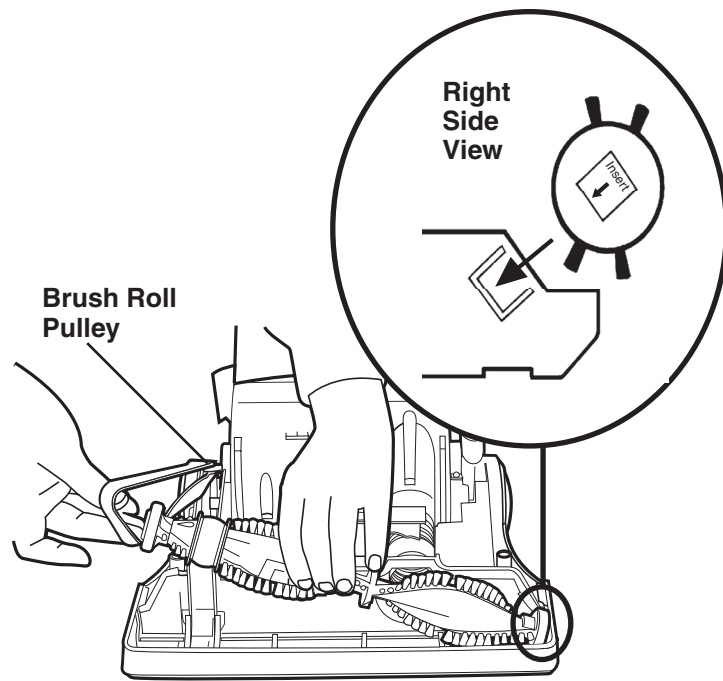
3. Hold powerhead together and turn over with hood side up.
4. Remove height adjustment knob. You may need to pry up with the end of a screwdriver.
5. Lift hood up off of powerhead.



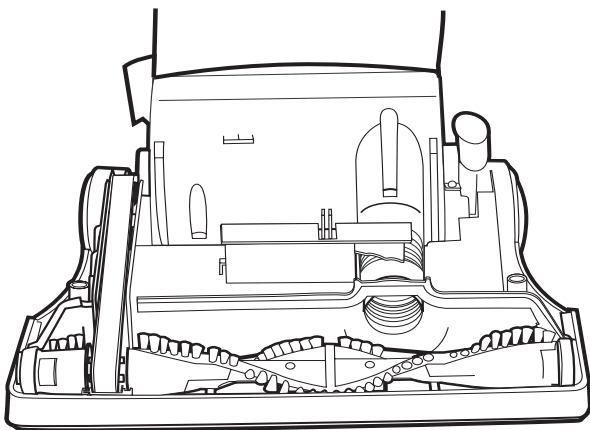
6. Remove and discard old belt.



7. Place belt around brush roll pulley.



- Place belt around brush roll pulley. Align right end cap with square in base. Push end cap into place; see right side view.



- Pull left side of brush roll to stretch belt. Secure left end cap in base. Roll brush roll to seat belt.
- Replace hood. Make sure hood front is behind furniture guard on front of base. Replace carpet height adjustment knob. Hold hood and power head together and flip over. Replace and tighten screws. See previous page.

Use GENUINE Electrolux Replacement Parts.

Disposable Dust Bag/Reusable Cloth Bag (on some models) and Filters

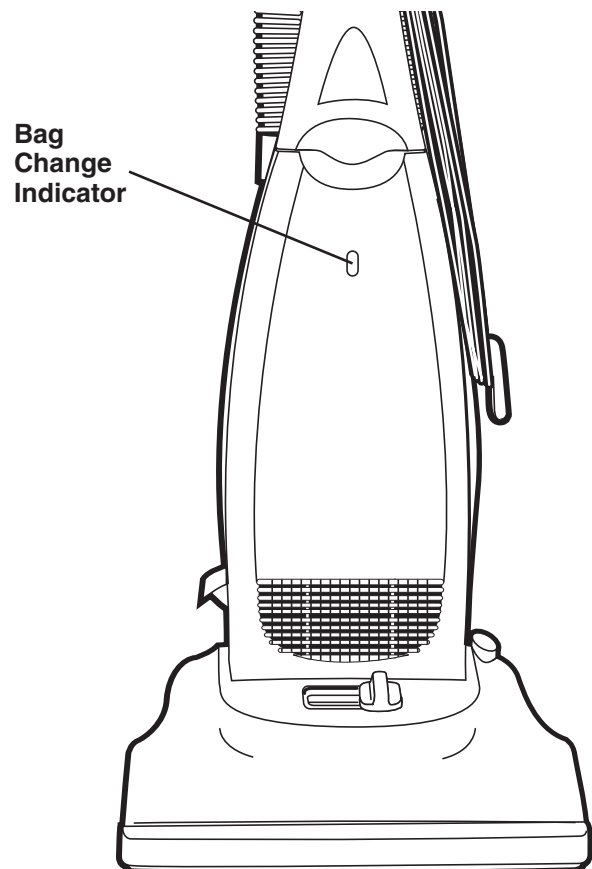
The disposable dust bag/reusable cloth bag plays a very important role in the efficiency of a vacuum cleaner. The purpose of the bag is to trap dirt. As the bag traps dirt, it must also be porous enough to allow air to pass on through. If the bag becomes clogged, no air can pass through the cleaner and no cleaning can take place regardless of how powerful the unit. Change the bag and check the filters frequently. Some fine particles can restrict airflow very quickly and will decrease performance even before the bag appears to be full.

When vacuuming carpet fresheners or cleaners, powder, plaster dust, or similar fine substances, the bag and filters may require more frequent maintenance.

Bag Change Indicator (only for models with a Bag Change Indicator)

Some models feature a Bag Change Indicator to remind you to change the bag. The indicator on the bag cover moves into the window as the airflow through the bag decreases. Certain types of fine particles like powder, plaster dust, or fine road dust can restrict airflow very quickly. The fine particles will decrease performance even before the bag appears to be full. Change the dust bag to restore maximum performance.

Be sure to use GENUINE ELECTROLUX bags for best performance. If a clean dust bag does not restore maximum performance, check for obstructions in the hose or airflow passage.



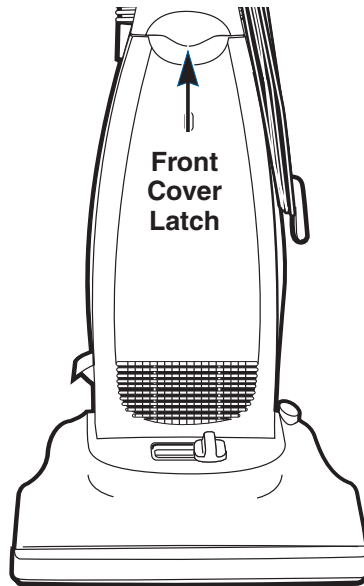
How To Replace Bags—Style E82 or Reusable Cloth Bag (on some models)

NOTE: Turn off the switch and unplug the electrical cord before changing bag. Never operate the vacuum cleaner without the bag or the filter.

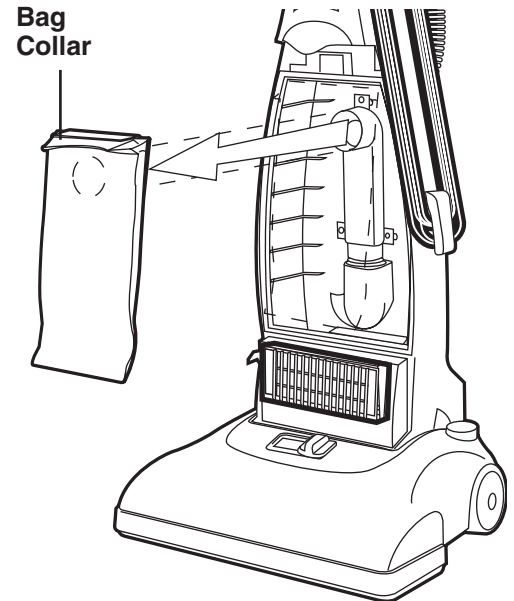
It may be more convenient to lower the handle to the floor before changing the bag.

To Remove Bag:

Your cleaner may come with a disposable paper bag or a reusable cloth bag. Both bags are removed and installed into the cleaner in the exact same way.



- A. Remove front cover. Press down on front cover latch and lift cover away from cleaner.

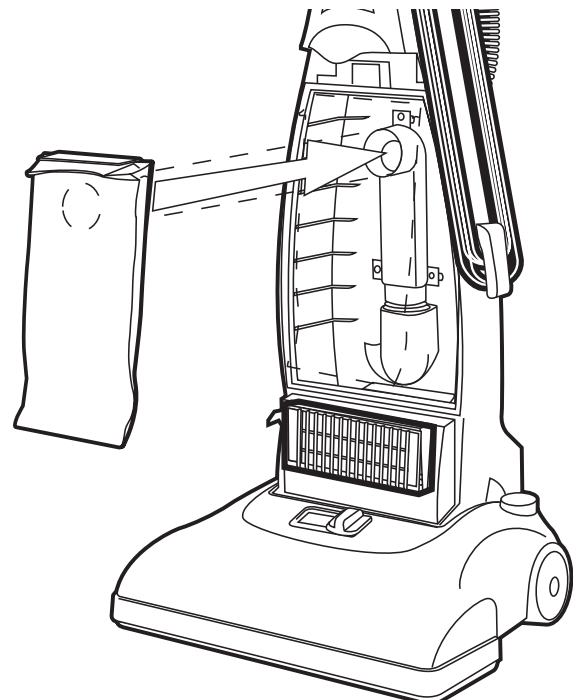


- B. Grasp bag collar and pull straight out of bag compartment. Dispose of used paper bag.

If you have the reusable cloth bag, slide bar closure off the bottom of the bag to open bag. Empty in trash receptacle.

To Replace New Bag:

- C. If you have the reusable cloth bag, fold bag to original size then slide the bar closure back on the bottom of the bag to close.
- Align bag inlet hole and inlet tube. Push bag straight onto tube.
- D. Tuck bag into bottom and along sides.
- E. Replace front cover. Make sure bag does not catch under front cover. Place the tabs on the bottom of the front cover into slots at bottom of bag compartment and press cover against unit until it clicks shut.



Use **GENUINE** Electrolux Replacement Parts.

How to Check and Clear Hose Blockages

Low suction or poor pickup may be due to a blockage in the vacuum cleaner.

1. Remove attachment hose and check suction at end of hose – if little or no suction, check disposable dust bag. Change if needed. If no improvement proceed to step 2.

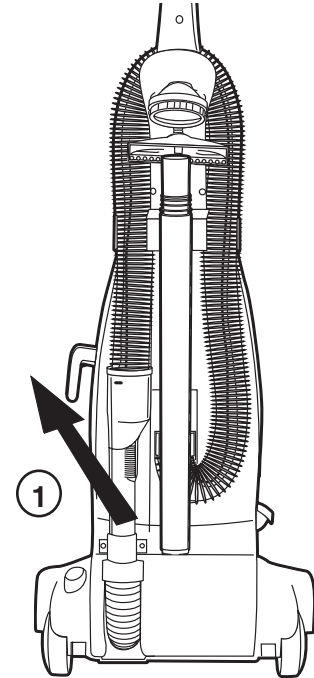
NOTE: Turn off the switch and unplug the electrical cord before clearing hose.

2. Remove bag cover and disposable dust bag.
3. Remove tube inside dust bag compartment by removing 3 screws.

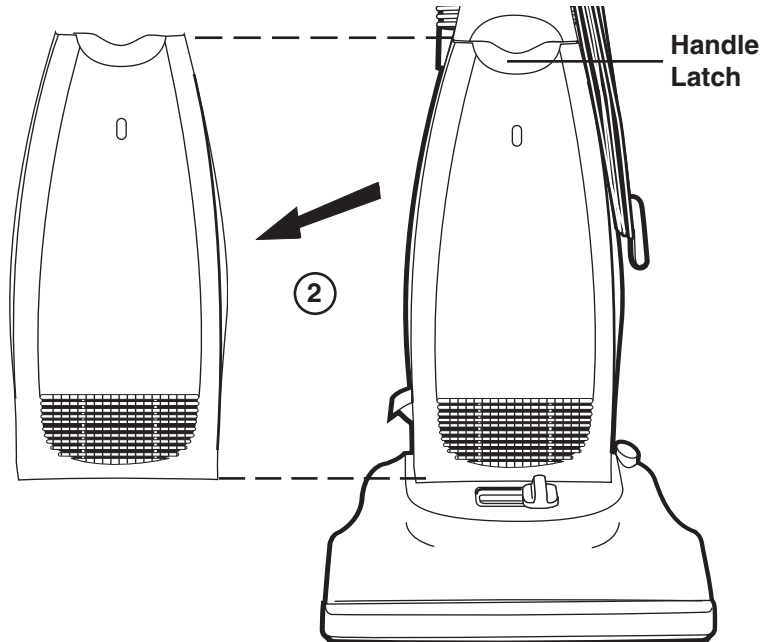
Check for any obstructions that may be in the hose. Any obstructions can be removed by using a blunt instrument to clear the hose. Flexing the hose may help loosen the clog.

4. Reinstall the tube after clearing any clog. Reinstall the disposable dust bag and bag cover.

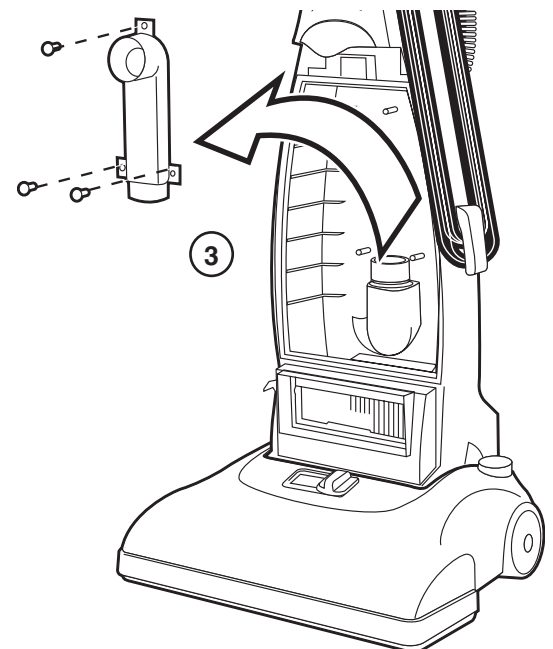
NOTE: If no improvement in performance on carpet, proceed to following page.



1. Remove attachment hose and check suction at end of hose.

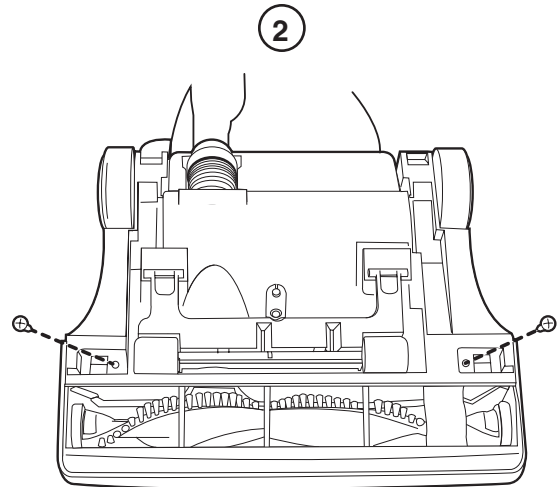
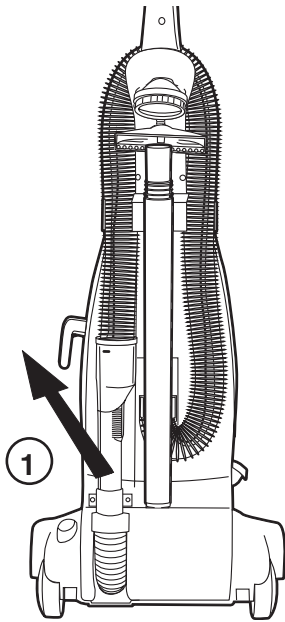


2. Remove bag cover. Press down on handle latch and lift cover away from cleaner.

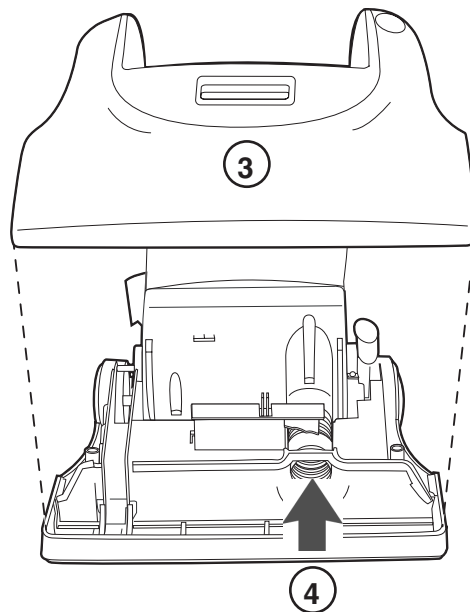


3. Remove tube inside dust bag compartment by removing 3 screws.

How to Check and Clear Blockages in Base



1. Remove the attachment hose from the lower hose retainer and look into the hose retainer for any obstructions. Proceed to Step 2 to check for any other blockages.
2. Lower handle to floor. Turn cleaner over so the bottom of the power head is facing up. Remove two screws to release hood.



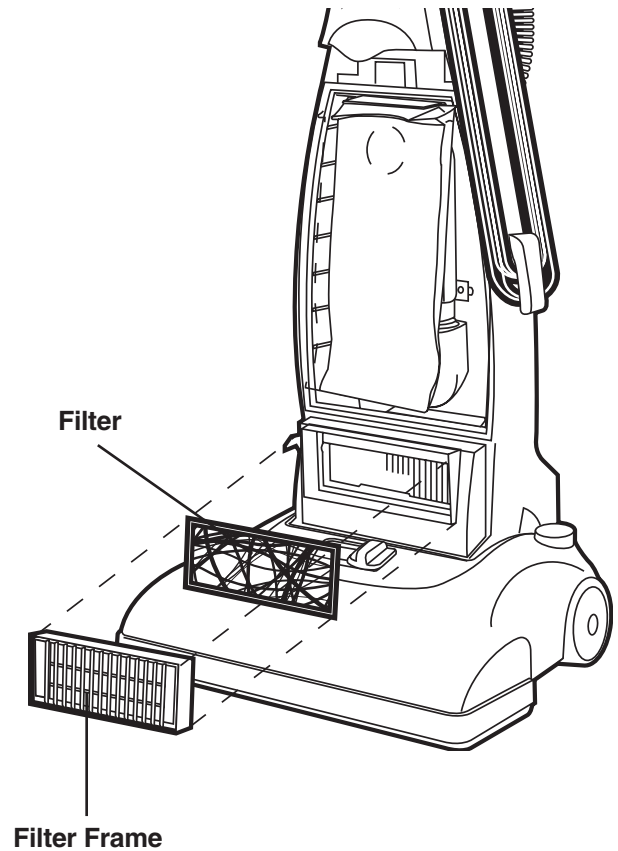
3. Hold power head together and turn over with hood side up. Lift hood up off of power head.
 4. Check for blockages in the brush roll area and remove any obstructions found there. The base hose can be cleared of any blockage by using a blunt instrument.
5. After the blockage is removed, replace the hood and tighten the two hood screws (see Fig. 2). Raise the handle to the upright position place the hose into the lower hose retainer.

Motor Filter/HEPA Filter (on some models)

Check the motor/HEPA filter with each disposable dust bag change. Clean or replace as needed.

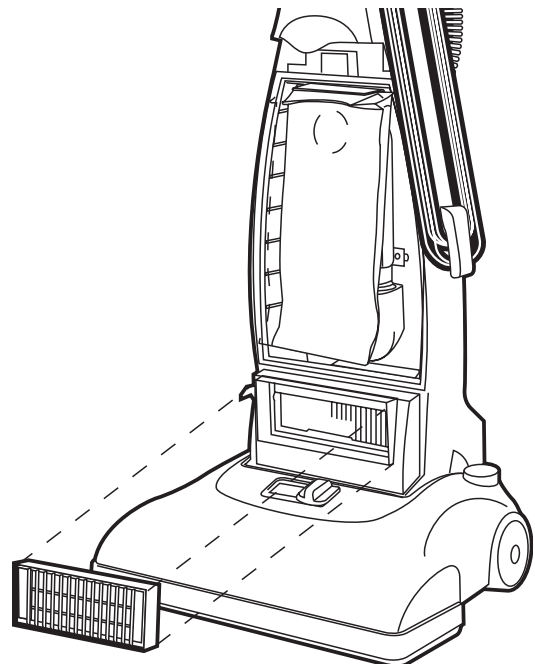
To Clean Motor Filter-Style EF2

1. Remove bag cover. Press down on handle latch and lift cover away from cleaner.
2. The filter is located under the bag compartment. To remove filter frame, grasp and pull straight out from cleaner. Pull filter from filter frame.
3. Shake filter to remove excess dust. If necessary, the filter can be cleaned by vacuuming with another cleaner.
4. Reinstall filter in filter frame by placing under the two retaining tabs on each end of filter frame. Push filter frame back into cleaner. Reinstall bag cover.



To Clean HEPA Filter-Style EF82

1. Remove bag cover. Press down on handle latch and lift cover away from cleaner.
2. The filter is located under the bag compartment. To remove filter, grasp and pull straight out from cleaner.
3. Shake filter to remove excess dust. If necessary, the filter can be cleaned by vacuuming with another cleaner.
4. Reinstall filter by pushing filter straight back into cleaner. Reinstall bag cover.



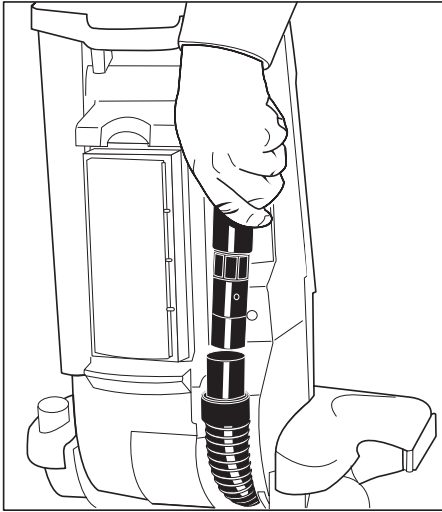
Use GENUINE Elextrolux Replacement Parts.

STAIR CLEANING HOSE (Only on Certain Models)

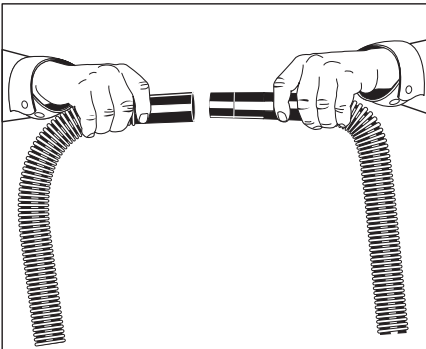
WARNING: Never position any cleaner on the stairs as this could damage the carpet.

Some models will come complete with an extra bonus hose which is ideal for cleaning stairs.

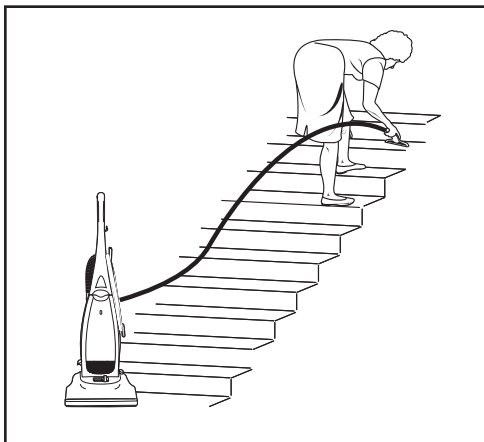
HOW TO ASSEMBLE AND USE



Step 1 - Remove the hose attached to the cleaner.

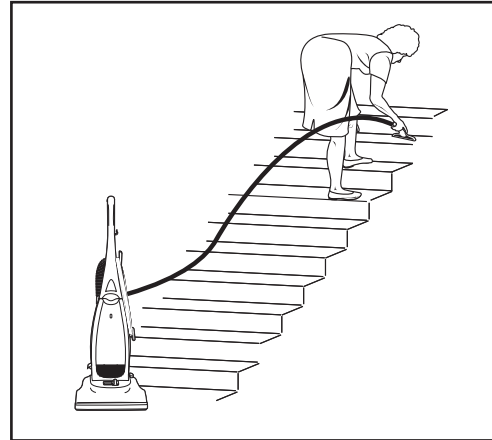


Step 2 - Connect the hose cuff to the end of the bonus hose.

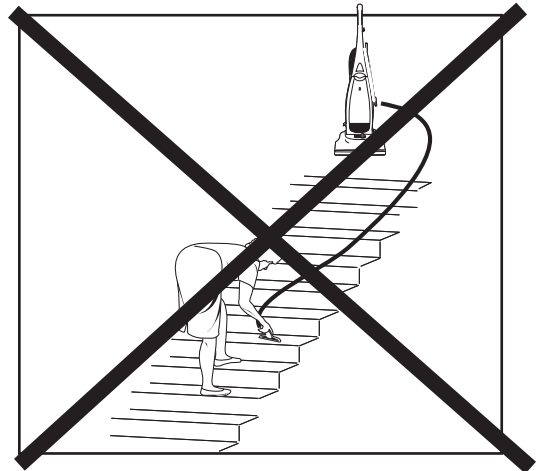


Step 3 - You are ready to clean your stairs.

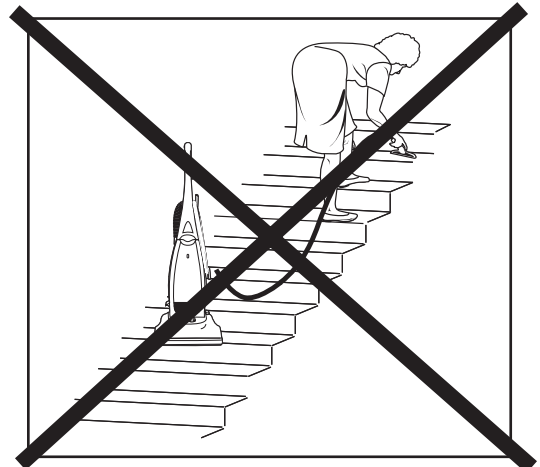
WARNING



! Always work with the cleaner below you, pulling hose from side of cleaner; *not* the back or the front of the cleaner. Ensure it is positioned sideways up against the bottom step.



! NEVER STAND ANY CLEANER ABOVE YOU.



! NEVER POSITION ANY CLEANER ON THE STAIRS AS THIS COULD DAMAGE THE CARPET.

PROBLEM SOLVING

NOTE: Turn off the switch and unplug the electrical cord before servicing.

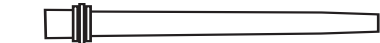
PROBLEM	CAUSE	SOLUTION
Motor will not start.	<input checked="" type="checkbox"/> Electric Plug	<input type="checkbox"/> Push plug securely into outlet. <input type="checkbox"/> Try another outlet. <input type="checkbox"/> Check circuit breaker.
Motor suddenly stops.	<input checked="" type="checkbox"/> Thermal Cut Off	<input type="checkbox"/> Refer to page 7.
Does not clean the carpet or floor.	<input checked="" type="checkbox"/> Disposable Dust Bag and Filter(s) <input checked="" type="checkbox"/> Belt <input checked="" type="checkbox"/> Brush Roll <input checked="" type="checkbox"/> Hose	<input type="checkbox"/> Change the bag. Hint: If picking up fine dust, the bag may <u>not</u> look full, but a fine substance tends to reduce suction when it blocks the airflow through the paper bag and filter(s). Make sure the dust bag is installed properly. Make sure bag cover is installed properly. <input type="checkbox"/> Replace a cut, loose or out of shape belt. <input type="checkbox"/> Clean hair and thread from bristles and end cap area. Replace brush roll if bristles are worn. <input type="checkbox"/> Remove any clogs from the hose that restrict the airflow.
No suction at the end of the hose.	<input checked="" type="checkbox"/> Disposable Dust Bag <input checked="" type="checkbox"/> Hose	<input type="checkbox"/> Change the bag. Hint: If picking up fine dust, the bag may <u>not</u> look full, but a fine substance tends to reduce suction when it blocks the airflow through the paper bag. <input type="checkbox"/> Remove any clogs from the hose that restrict the airflow. Check both ends of the hose. (See pages 12-13)
Noise from the brush roll area.	<input checked="" type="checkbox"/> Brush Roll <input checked="" type="checkbox"/> Belt	<input type="checkbox"/> Remove hood and clean debris from the brush roll area. <input type="checkbox"/> Replace a cut, loose or out of shape belt.
Cleaner is hard to push.	<input checked="" type="checkbox"/> Cleaner Height Setting <input checked="" type="checkbox"/> Belt	<input type="checkbox"/> Turn adjustment knob to a higher position. Hint: Put handle in operating position. Tilt the cleaner back to raise the front wheels off floor. Then turn the knob. <input type="checkbox"/> Replace a cut, loose and out of shape belt.
Brush roll will not turn.	<input checked="" type="checkbox"/> Belt	<input type="checkbox"/> Replace cut, loose or out of shape belt.
Burning smell.	<input checked="" type="checkbox"/> Belt	<input type="checkbox"/> Replace cut, loose or out of shape belt.
Cleaning height knob will not slide.	<input checked="" type="checkbox"/> Cleaner Height Setting	<input type="checkbox"/> Hint: Put handle in operating position. Tilt the cleaner back to raise the front wheels off floor. Then slide the knob.
Missing parts.		<input type="checkbox"/> Call 08706 055 055. Know the model and serial numbers when you call.
Questions?		<input type="checkbox"/> Call 08706 055 055. Know the model and serial numbers when you call.

Questions?

Call
08706 055055

Accessory Items in This Carton

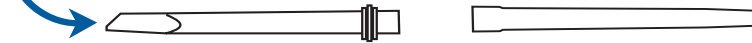
Nested extension wands to add reach.



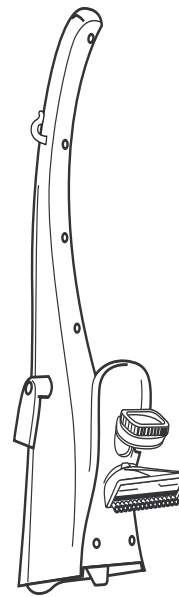
- Grasp both wands near ridges.



- Pull apart.



- Turn ridge end to center.
- Push wands together.



1 vacuum cleaner handle



1 hardware package
(1 screw)



1 dusting brush
(on some models)



1 upholstery nozzle
(on some models)

Thank you for selecting a Electrolux cleaner.

**Don't Forget to Use
Genuine Electrolux
Bags and Belts**

CAUTION: Damages caused by the use of non-genuine Electrolux bags are not covered by the Electrolux Limited Warranty.