

# Enrollment Station Installation Instructions

## Specifications

### Mechanical:

2.74" W x 4.6" L x 1.4" H

### Electrical:

Operating Voltage: 12 VDC

Current Draw: 20mA

### Environmental:

Environment: For indoor use only.

Temperature Tolerance: -20° to 130° F

## Description

The Enrollment Station is used to enroll HID format proximity cards directly into the PC software by presentation. This provides a convenient way to enroll cards whether you know the card format or not. The raw card data is read from the card and then stored in the PC software.

## Packing List

- 1 Enrollment Station
- 1 Installation Instructions
- 1 12VDC, 300mA Transformer
- 1 6-foot straight cord
- 1 DB-9 Serial Connector
- 1 DB-25 Serial Connector

## Operation

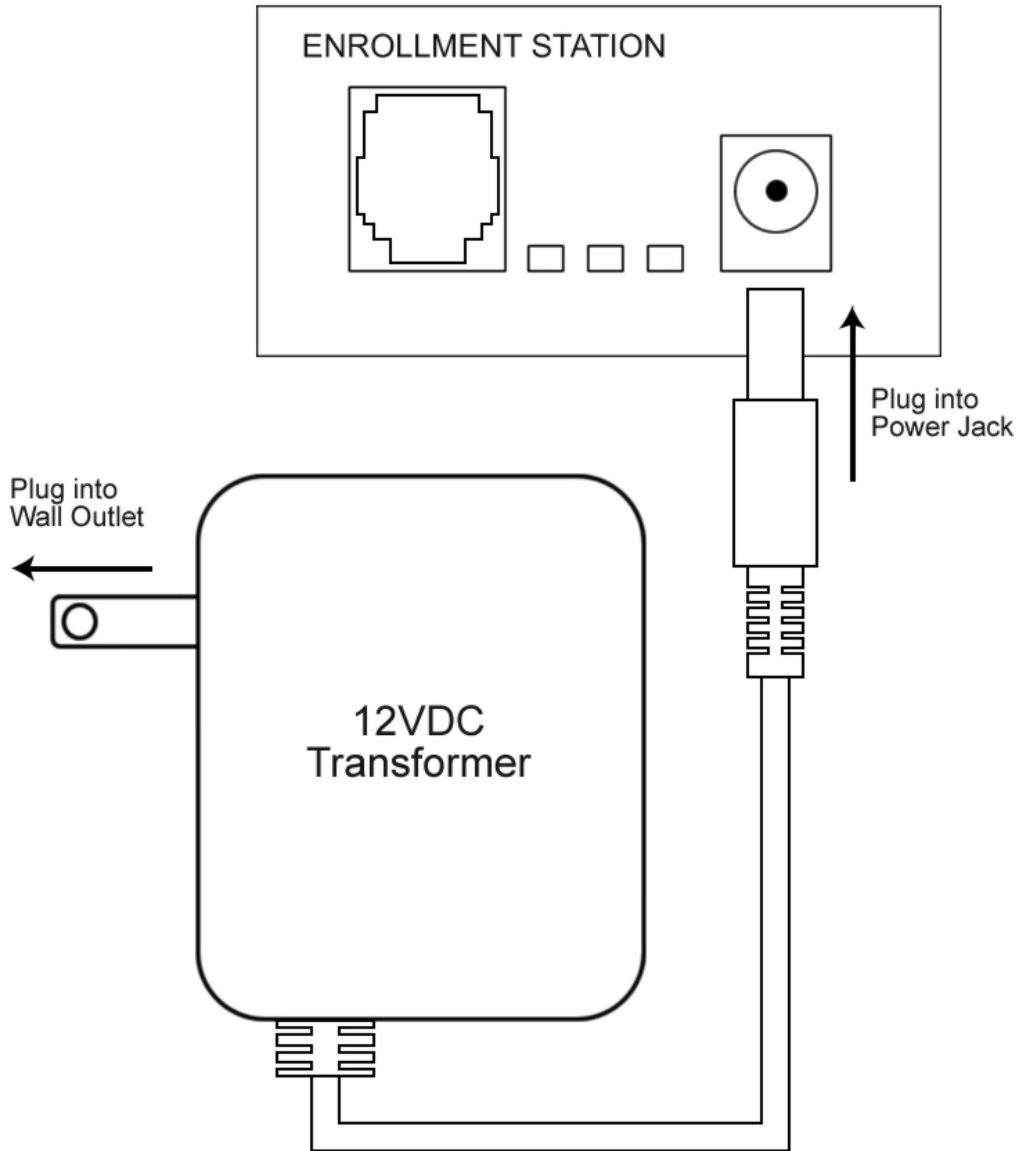
To operate the Enrollment Station simply connect power and connect it to your PC as shown in the diagrams in the following sections. Once it's connected to your PC you are now ready to enroll your cards. To enroll cards, present them over the labeled area on the top of the unit. When a card is successfully read, the Enrollment Stations responds with an audible beep.

### 15.21 Information to User

Any changes or modifications not expressly approved by the party responsible for compliance could void the user's authority to operate the equipment.

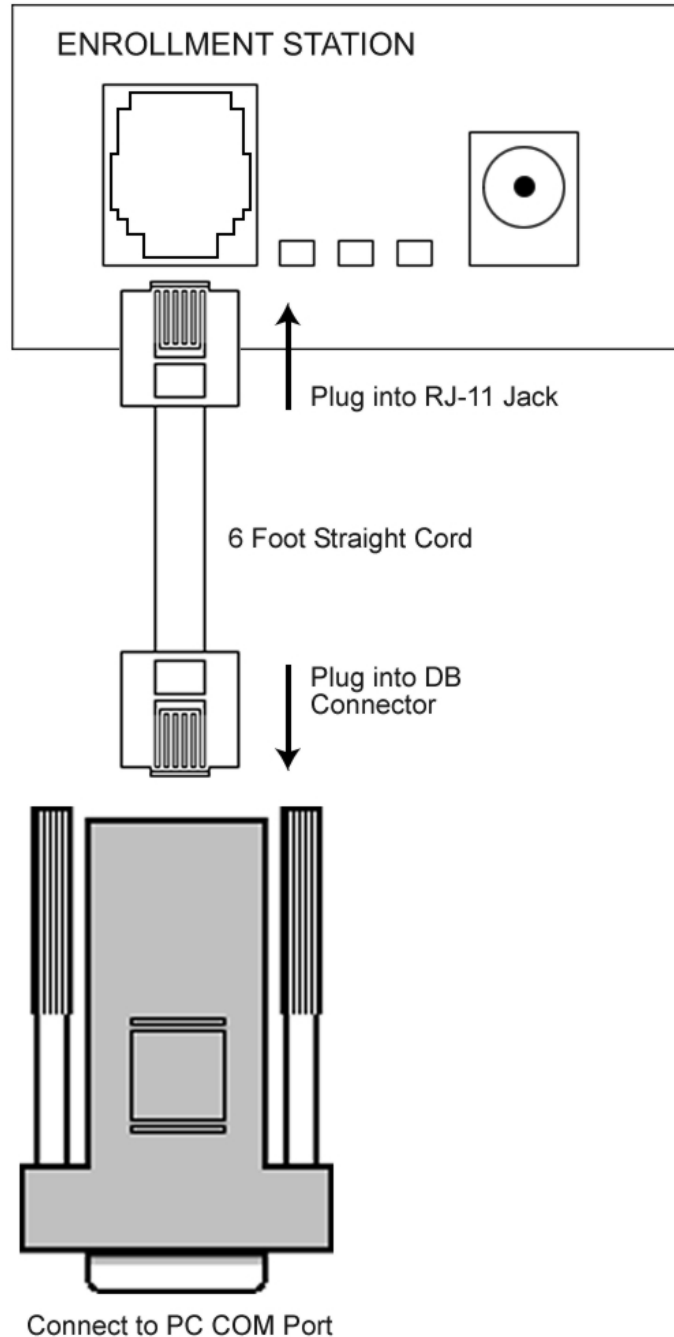
## Connecting the Transformer to the Enrollment Station

The Enrollment Station is shipped with a 12VDC, 300mA plug-in transformer. To power the unit just plug the connector from the transformer into the power jack on the Enrollment Station. Then plug the transformer into a 120VAC wall outlet.



## Connecting the Enrollment Station to a PC COM port:

To connect the Enrollment Station to your PC COM port, first plug the 6-foot straight cord into the RJ-11 jack on the front. Then plug the straight cord into the DB connector. Next connect the DB connector to your COM port. You can use either the DB-9 or DB-25 connector, depending on your COM port. The diagram below shows this connection.





**427 Turnpike Street  
Canton, MA 02021 U.S.A.**

**[www.ieib.com](http://www.ieib.com)**