

AC-250 Remote Meter Disconnect

Installation Information

The Elster American Meter AC-250 RMD (Remote Meter Disconnect) provides a safe, secure, and cost-effective way to enhance operational efficiencies and drive revenue recovery when meter access is not a readily available option. The AC-250 RMD enables utilities to have remote access and control of the natural gas flow when immediate action is required. This device fits neatly within an extended meter top and provides additional enhanced functionality to the outstanding performance of the AC-250 gas meter.

The AC-250 RMD unit consists of a control module and an integrated valve which are housed in an extended top attached to the AC-250 meter (Figure 1).

Installing in a hazardous location

Note: The AC-250 RMD is intended for hazardous locations Class I, Division I, Group D. Temp Code: T4; -30 °C to 60 °C.

Note: The AC-250 RMD battery is non-replaceable. If battery replacement is necessary, a new control module is required.

Note: Substitution of components may impair intrinsic safety.

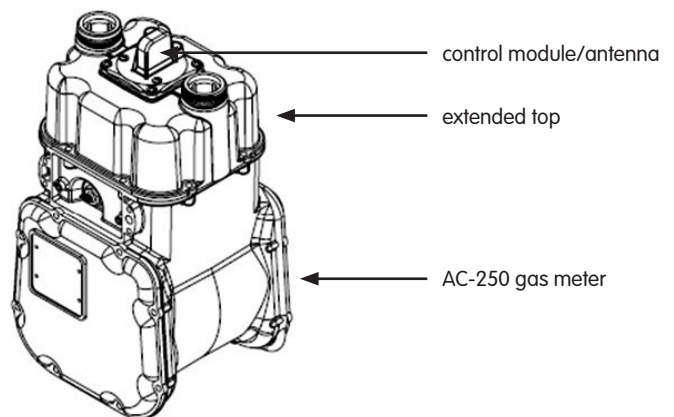


Figure 1. AC-250 RMD (Remote Meter Disconnect)

⚠ WARNING

A hazardous location includes areas where fire or explosion hazards may exist due to flammable gases, liquids, dust, etc. To prevent personal injury, all standard, necessary precautions should be taken when working in a hazardous environment.

⚠ WARNING

Enclosure contains aluminum: Care must be taken to avoid ignition hazards due to impact or friction.



⚠ WARNING

ESD ignition hazard: When handling the AC-250 RMD, care must be taken to prevent electrostatic discharge in the presence of natural gas. When removing the module for servicing, do so only while wearing insulating materials such as rubber gloves.

FCC Compliance

User Information (Part 15.105): This equipment has been tested and found to comply with the limits for a Class B digital device, pursuant to part 15 of the FCC Rules. These limits are designed to provide reasonable protection against harmful interference in a residential installation. This equipment generates, uses, and can radiate radio frequency energy and, if not installed and used in accordance with the instructions, may cause harmful interference to radio communications. However, there is no guarantee that interference will not occur in a particular installation. If this equipment does cause harmful interference to radio or television reception, the user is encouraged to try to correct the interference by one or more of the following measures:

- Reorient or relocate the receiving antenna
- Increase the separation between the equipment and the receiver
- Connect the equipment into an outlet on a circuit different from that to which the receiver is connected
- Consult the dealer or an experienced radio/TV technician for help

If you experience trouble with this equipment, please contact Customer Services at Elster American Meter. Do not attempt to repair this equipment yourself unless you are replacing the entire module.

Compliance Statement (Part 15.19): This device complies with Part 15 of the FCC Rules. Operation is subject to the following two conditions: 1) This device may not cause harmful interference, and 2) This device must accept any interference received, including interference that may cause undesired operation.

Warning (Part 15.21): Changes or modifications not expressly approved by Elster could void the user's authority to operate the equipment.

RF Radiation Safety Guidelines per Part 2 of FCC Rules and Regulations: The meter should be installed in a location where there will be a separation greater than 20 cm from locations occupied by humans.

Collocation Statement: Collocation of simultaneously-transmitting (co-transmitting) antennas within 20 cm of each other in a final product is not allowed.

DISCLAIMER OF WARRANTIES AND LIMITATIONS OF LIABILITY

There are no understandings, agreements, representations, or warranties either express or implied, including warranties of merchantability or fitness for a particular purpose, other than those specifically set out by any existing contract between the parties. Any such contract states the entire obligation of the seller. The contents of this document shall not become part of or modify any prior existing agreement, commitment, or relationship. The information, recommendations, descriptions, and safety notices in this document are based on Elster experience and judgment with respect to operation and maintenance of the described product. This information should not be considered as all-inclusive or covering all contingencies. If further information is required, Elster should be consulted.

No warranties, either expressed or implied, including warranties of fitness for a particular purpose or merchantability, or warranties arising from the course of dealing or usage of trade, are made regarding the information, recommendations, descriptions, warnings, and cautions contained herein. In no event will Elster be responsible to the user in contract, in tort (including negligence), strict liability or otherwise for any special, indirect, incidental, or consequential damage or loss whatsoever, including but not limited to: damage or loss of use of equipment, cost of capital, loss of profits or revenues, or claims against the user by its customers resulting from the use of the information, recommendations, descriptions, and safety notices contained herein.

