

# Fisher® FIELDVUE™ DVC6200f Digital Valve Controller for FOUNDATION™ fieldbus

This manual applies to:

Device Type	4602
Device Revision	2
Hardware Revision	8
Firmware Revision	2.0
DD Revision	2 and 3
Instrument Level	FD, PD, AD





The FIELDVUE DVC6200f Digital Valve Controller is a core component of the PlantWeb™ digital plant architecture. The digital valve controller powers PlantWeb by capturing and delivering valve diagnostic data. Coupled with ValveLink™ software, the DVC6200 provides users with an accurate picture of valve performance, including actual stem position, instrument input signal, and pneumatic pressure to the actuator. Using this information, the digital valve controller diagnoses not only itself, but also the valve and actuator to which it is mounted.

# Contents

**Section 1 Introduction and Specifications** ..... 3

Installation, Pneumatic and Electrical Connections, and Initial Configuration ..... 3

Scope of Manual ..... 3

Instrument Description ..... 3

Using this Manual ..... 4

Specifications ..... 6

Related Information ..... 10

Educational Services ..... 10

**Section 2 Wiring Practices** ..... 11

Quick Connect Cable Entry ..... 11

Communication Connections ..... 12

Simulate Enable Jumper ..... 13

**Section 3 Basic Setup** ..... 15

Basic Setup ..... 15

    Transducer Block Mode ..... 15

    Protection ..... 15

    Device Setup ..... 16

    Performance Tuner ..... 20

**Section 4 Detailed Setup** ..... 21

Resource Block ..... 21

Transducer Block ..... 38

Analog Output Function Block ..... 89

Proportional/Integral/Derivative Function Block ..... 102

Input Selector Function Block ..... 121

Output Splitter Function Block ..... 136

Analog Input Function Block ..... 147

Multiple Analog Input Function Block ..... 159

Discrete Output Function Block ..... 165

Discrete Input Function Block ..... 177

**Section 5 Calibration** ..... 189

Calibration Overview ..... 189

Calibration ..... 189

    Auto ..... 190

    Manual ..... 190

    Relay ..... 191

    Supply Pressure Sensor ..... 192

    Pressure A or B Sensor ..... 193

**Section 6 Viewing Device Variables and Diagnostics** ..... 195

View Lists ..... 195

Resource Block ..... 195

    Device Diagnostics ..... 196

    Device Variables ..... 198

Transducer Block ..... 199

    Device Diagnostics ..... 200

    Device Variables ..... 205

Figure 1-1. FIELDVUE DVC6200f Digital Valve Controller



W9713\_fieldbus

**Section 7 Maintenance and Troubleshooting** ..... 209

Replacing the Magnetic Feedback Assembly ..... 210

Module Base Maintenance ..... 210

    Tools Required ..... 210

    Component Replacement ..... 211

    Removing the Module Base ..... 211

    Replacing the Module Base ..... 212

Submodule Maintenance ..... 213

    I/P Converter ..... 213

    Printed Wiring Board (PWB) Assembly ..... 215

    Pneumatic Relay ..... 216

    Gauges, Pipe Plugs or Tire Valves ..... 217

Terminal Box ..... 217

    Removing the Terminal Box ..... 217

    Replacing the Terminal Box ..... 218

Stroking the Digital Valve Controller Output ..... 218

Instrument Troubleshooting ..... 219

**Section 8 Parts** ..... 225

Parts Ordering ..... 225

Parts Kits ..... 225

Parts List ..... 226

    Housing ..... 226

    Common Parts ..... 226

    Module Base ..... 227

    I/P Converter Assembly ..... 227

    Relay ..... 227

    Terminal Box ..... 227

    PWB Assembly ..... 228

Pressure Gauges, Pipe Plugs, or Tire Valve Assemblies .....	228	Device Addressing .....	269
DVC6215 Feedback Unit .....	228	Link Active Scheduler .....	269
<b>Appendix A Principle of Operation .....</b>	<b>235</b>	Device Communications .....	270
Digital Valve Controller Operation .....	235	Scheduled Transfers .....	270
<b>Appendix B Field Communicator</b>		Unscheduled Transfers .....	271
Menu Tree .....	237	Function Block Scheduling .....	272
<b>Appendix C PlantWeb Alerts .....</b>	<b>251</b>	Network Management .....	272
Alert Conditions .....	251	<b>Appendix E Device Description</b>	
PlantWeb Alerts .....	251	<b>Installation .....</b>	<b>273</b>
Alert Handling .....	251	Overview .....	273
Alert Reporting .....	253	Device Descriptions and Methods .....	274
PlantWeb Alerts Set Block Status .....	253	Installing DD on a DeltaV	
Setting PlantWeb Alerts .....	253	ProfessionalPLUS Workstation .....	274
Using PlantWeb Alerts .....	253	Installing DDs on Other Fieldbus Host Systems ...	276
<b>Appendix D FOUNDATION Fieldbus</b>		Displaying the Device Description Revision .....	277
<b>Communication .....</b>	<b>263</b>	<b>Appendix F Operating with a</b>	
Function Block Overview .....	263	<b>DeltaV System .....</b>	<b>279</b>
Function Blocks .....	263	Getting Started .....	279
Instrument Specific Blocks .....	264	Transducer Block Parameter -	
Resource Blocks .....	264	Configuration Index .....	280
Transducer Blocks .....	264	Resource Block Parameter - Configuration Index .	285
Block Modes .....	265	Introduction .....	286
Explanation of Modes .....	266	Software Functionality/System Requirements ...	286
Examples of Modes for Various		Using AMS Device Manager .....	286
Operation Statuses .....	267	Methods .....	288
Device Descriptions .....	267	Accessing Parameters .....	288
Transducer Block Status and Limit Propagation ..	267	Bringing the Device On-Line .....	291
Status Propagation .....	268	PlantWeb Alerts .....	291
Limit Propagation .....	268	Setting up PlantWeb Alerts .....	291
Network Communication .....	269	<b>Glossary .....</b>	<b>297</b>
		<b>Index .....</b>	<b>301</b>

## Section 1 Introduction and Specifications

### Installation, Pneumatic and Electrical Connections, and Initial Configuration

Refer to the [DVC6200 Series Quick Start Guide \(D103556X012\)](#) for DVC6200 installation, connection, and initial configuration information. If a copy of this quick start guide is needed scan or click the QR code at the right, contact your Emerson Process Management sales office, or visit our website at [www.Fisher.com](http://www.Fisher.com).



Scan or click to access field support

### Scope of Manual

This instruction manual is a supplement to the [quick start guide](#) that ships with every instrument. This instruction manual includes product specifications, supplementary installation information, reference materials, custom setup information, maintenance procedures, and replacement part details for the FIELDVUE DVC6200f digital valve controller.

---

#### Note

All references to the DVC6200f digital valve controller include the DVC6205f base unit unless otherwise indicated.

---

This manual describes device setup using the 475 or 375 Field Communicator. For information on using Fisher ValveLink software with the instrument, refer to the appropriate user guide or help.

Do not install, operate, or maintain a DVC6200f digital valve controller without being fully trained and qualified in valve, actuator, and accessory installation, operation, and maintenance. To avoid personal injury or property damage, it is important to carefully read, understand, and follow all of the contents of this manual, including all safety cautions and warnings. If you have any questions about these instructions, contact your Emerson Process Management sales office before proceeding.

### Instrument Description

DVC6200f digital valve controllers for FOUNDATION fieldbus are communicating, microprocessor-based instruments. In addition to the traditional function of converting a digital signal to a pneumatic output pressure, the DVC6200f digital valve controller, using FOUNDATION fieldbus communications protocol, gives easy access to information critical to process operation as well as process control. This can be done using a DeltaV™ console, another FOUNDATION fieldbus system console, or with ValveLink software version 10.2 or later.

Using a compatible fieldbus configuration device, you can obtain information about the health of the instrument, the actuator, and the valve. You can also obtain asset information about the actuator or valve manufacturer, model, and serial number. You can set input and output configuration parameters and calibrate the instrument.

Using the FOUNDATION fieldbus protocol, information from the instrument can be integrated into control systems.

DVC6200f digital valve controllers can be mounted on single or double-acting sliding-stem actuators, as shown in figure 1-2, or on rotary actuators. It can also be integrally mounted to the Fisher GX control valve and actuator system, as shown in figure 1-3. The DVC6200f mounts on most Fisher and other manufacturers' rotary and sliding-stem actuators.

Figure 1-2 FIELDVUE DVC6200f Digital Valve Controller Mounted on a Fisher Sliding-Stem Valve Actuator



W9643\_fieldbus

Figure 1-3. FIELDVUE DVC6200f Digital Valve Controller Integrally Mounted to a Fisher GX Control Valve and Actuator System



W9616\_fieldbus

DVC6200f digital valve controllers are available with several selections of control and diagnostic capability. Control selections include:

- **Standard Control (SC)**— Digital valve controllers with Standard Control have the AO, PID, ISEL, OS, AI, MAI, DO, and four DI function blocks in addition to the resource and transducer blocks.
- **Fieldbus Control (FC)**—Digital valve controllers with Fieldbus Control have the AO function block in addition to the resource and transducer blocks.
- **Fieldbus Logic (FL)**—Digital valve controllers with Fieldbus Logic have the DO, and four DI function blocks, in addition to the resource and transducer block.

The diagnostic capabilities include:

- Performance Diagnostics (PD)
- Advanced Diagnostics (AD)
- Fieldbus Diagnostics (FD)

Performance and Advanced Diagnostics are available with ValveLink software. They provide visibility to instrument alerts. Fieldbus Diagnostics can be viewed with any host system.

## Instrument Blocks

The digital valve controller is a block-based device. For detailed information on the blocks within the digital valve controller, see the Detailed Setup section of this manual.

The DVC6200f digital valve controller includes the resource and transducer block:

- **Resource Block**—The resource block contains the hardware specific characteristics associated with a device; it has no input or output parameters. The resource block monitors and controls the general operation of other blocks within the device. For example, when the mode of the resource block is Out of Service, it impacts all function blocks.
- **Transducer Block**—The transducer block connects the analog output function block to the I/P converter, relay, and travel sensor hardware within the digital valve controller.

## Function Blocks

In addition to the resource and transducer block, the digital valve controller may contain the following function blocks. For additional information on function blocks, refer to Appendix D, FOUNDATION fieldbus Communication.

- **Analog Output (AO) Function Block**—The analog output function block accepts the output from another function block (such as a PID block) and transfers it as an actuator control signal to the transducer block. If the DO block is selected, the AO block is not functional.
- **Proportional-Integral-Derivative (PID) Function Block**—The PID function block performs proportional-plus-integral-plus-derivative control.
- **Input Selector (ISEL) Function Block**—The input selector function block selects from up to four inputs and may provide the selected signal as input to the PID block. The input selection can be configured to select the first good input signal; a maximum, minimum or average value; or a hot spare.
- **Output Splitter (OS) Function Block**—The output splitter function block accepts the output from another function block (such as a PID block) and creates two outputs that are scaled or split, according to the user configuration. This block is typically used for split ranging of two control valves.
- **Analog Input (AI) Function Block**—The analog input function block monitors the signal from a DVC6200f sensor or internal measurement and provides it to another block.
- **Multiple Analog Input (MAI) Function Block**—The Multiple Analog Input (MAI) function block has the ability to process up to eight DVC6200f measurements and make them available to other function blocks.
- **Discrete Output (DO) Function Block**—The discrete output function block processes a discrete set point and sends it to a specified output channel, which can be transferred to the transducer block for actuator control. In the digital valve controller, the discrete output block provides both normal open/closed control and the ability to position the valve in 5% increments for course throttling applications. If the AO block is selected, the DO block is not functional.
- **Discrete Input (DI) Function Block**—The discrete input function block processes a single discrete input from a DVC6200f and makes it available to other function blocks. In the digital valve controller, the discrete input function block can provide limit switch functionality and valve position proximity detection.

## Using This Manual

Navigation paths and fast-key sequences are included for procedures and parameters that can be accessed using the Field Communicator.

For example, to access Resource Block Mode:

Field Communicator	RB > Configure/Setup > Setup > Resource Block Mode
--------------------	--

An overview of the resource and transducer block menu structures are shown in Appendix B. Menu structures for the function blocks are included with each function block section in Detailed Setup.

Throughout this document, parameters are typically referred to by their common name or label, followed by the parameter name and index number; for example, Write Priority (WRITE\_PRI [39]). However, not all interface systems support the use of the parameter label and instead use only the Parameter Name, followed by the index number, when referring to the block parameters.

## Specifications

Specifications for the DVC6200f digital valve controller are shown in table 1-1.



Table 1-1. Specifications

<p><b>Available Mounting</b></p> <p>DVC6200f digital valve controller and DVC6215 feedback unit: ■ Integral mounting to the Fisher GX Control Valve and Actuator System ■ Integral mounting to Fisher rotary actuators, ■ Sliding-stem linear applications ■ Quarter-turn rotary applications</p> <p>DVC6205f base unit for 2 inch pipestand or wall mounting (for remote-mount)</p> <p>The DVC6200f digital valve controller or DVC6215 feedback unit can also be mounted on other actuators that comply with IEC 60534-6-1, IEC 60534-6-2, VDI/VDE 3845 and NAMUR mounting standards.</p> <p><b>Function Block Suites</b></p> <ul style="list-style-type: none"> <li>■ Standard Control (throttling control) Includes AO, PID, ISEL, OS, AI, MAI, DO, and four DI function block</li> <li>■ Fieldbus Control (throttling control) Contains the AO function block</li> <li>■ Fieldbus Logic [discrete (on/off) connectivity] Includes DO, and four DI function blocks</li> </ul> <p><b>Block Execution Times</b></p> <table style="width: 100%; border: none;"> <tr> <td style="width: 50%;">AO Block: 15 ms</td> <td style="width: 50%;">AI Block: 15 ms</td> </tr> <tr> <td>PID Block: 20 ms</td> <td>MAI Block: 35 ms</td> </tr> <tr> <td>ISEL Block: 20 ms</td> <td>DO Block: 15 ms</td> </tr> <tr> <td>OS Block: 20 ms</td> <td>DI Block: 15 ms</td> </tr> </table> <p><b>Electrical Input</b></p> <p>Voltage Level: 9 to 32 volts          Maximum Current: 19 mA          Reverse Polarity Protection: Unit is not polarity sensitive          Termination: Bus must be properly terminated per ISA SP50 guidelines</p> <p><b>Digital Communication Protocol</b></p> <p>FOUNDATION fieldbus registered device</p> <p>Physical Layer Type(s):</p> <ul style="list-style-type: none"> <li>121—Low-power signaling, bus-powered, Entity Model I.S.</li> <li>511—Low-power signaling, bus-powered, FISCO I.S.</li> </ul> <p><b>Fieldbus Device Capabilities</b></p> <p>Backup Link Master capable</p>	AO Block: 15 ms	AI Block: 15 ms	PID Block: 20 ms	MAI Block: 35 ms	ISEL Block: 20 ms	DO Block: 15 ms	OS Block: 20 ms	DI Block: 15 ms	<p><b>Supply Pressure<sup>(1)</sup></b></p> <p>Minimum Recommended: 0.3 bar (5 psig) higher than maximum actuator requirements</p> <p>Maximum: 10.0 bar (145 psig) or maximum pressure rating of the actuator, whichever is lower</p> <p><b>Supply Medium</b></p> <p>Air or natural gas</p> <p><b>Air:</b> Supply pressure must be clean, dry air that meets the requirements of ISA Standard 7.0.01.</p> <p><b>Natural Gas:</b> Natural gas must be clean, dry, oil-free, and noncorrosive. H<sub>2</sub>S content should not exceed 20 ppm.</p> <p>A maximum 40 micrometer particle size in the air system is acceptable. Further filtration down to 5 micrometer particle size is recommended. Lubricant content is not to exceed 1 ppm weight (w/w) or volume (v/v) basis. Condensation in the air supply should be minimized.</p> <p><b>Per ISO 8573-1</b>          Maximum particle density size: Class 7          Oil content: Class 3          Pressure Dew Point: Class 3 or at least 10 K less than the lowest ambient temperature expected</p> <p><b>Output Signal</b></p> <p>Pneumatic signal, up to full supply pressure          Minimum Span: 0.4 bar (6 psig)          Maximum Span: 9.5 bar (140 psig)          Action: ■ Double, ■ Single Direct or ■ Reverse</p> <p><b>Steady-State Air Consumption<sup>(2)(3)</sup></b></p> <p><b>Standard Relay:</b> At 1.4 bar (20 psig) supply pressure:          Less than 0.38 normal m<sup>3</sup>/hr (14 scfh)          At 5.5 bar (80 psig) supply pressure: Less than 1.3 normal m<sup>3</sup>/hr (49 scfh)</p> <p><b>Low Bleed Relay:</b> At 1.4 bar (20 psig) supply pressure:          Average value 0.056 normal m<sup>3</sup>/hr (2.1 scfh)          At 5.5 bar (80 psig) supply pressure: Average value 0.184 normal m<sup>3</sup>/hr (6.9 scfh)</p> <p><b>Maximum Output Capacity<sup>(2)(3)</sup></b></p> <p>At 1.4 bar (20 psig) supply pressure: 10.0 normal m<sup>3</sup>/hr (375 scfh)          At 5.5 bar (80 psig) supply pressure: 29.5 normal m<sup>3</sup>/hr (1100 scfh)</p>
AO Block: 15 ms	AI Block: 15 ms								
PID Block: 20 ms	MAI Block: 35 ms								
ISEL Block: 20 ms	DO Block: 15 ms								
OS Block: 20 ms	DI Block: 15 ms								

-continued-

Table 1-1. Specifications (continued)

<p><b>Operating Ambient Temperature Limits<sup>(1)(4)</sup></b>  -40 to 85°C (-40 to 185°F)  -52 to 85°C (-62 to 185°F) for instruments utilizing the Extreme Temperature option (fluorosilicone elastomers)  -52 to 125°C (-62 to 257°F) for remote-mount feedback unit</p> <p><b>Independent Linearity<sup>(5)</sup></b>  Typical Value: ±0.50% of output span</p> <p><b>Electromagnetic Compatibility</b>  Meets EN 61326-1 (First Edition)  Immunity—Industrial locations per Table 2 of the EN 61326-1 standard. Performance is shown in table 1-2 below.  Emissions—Class A  ISM equipment rating: Group 1, Class A</p> <p><b>Lightning and Surge Protection</b>—The degree of immunity to lightning is specified as Surge immunity in table 1-2. For additional surge protection commercially available transient protection devices can be used.</p> <p><b>Vibration Testing Method</b>  Tested per ANSI/ISA-75.13.01 Section 5.3.5. A resonant frequency search is performed on all three axes. The instrument is subjected to the ISA specified 1/2 hour endurance test at each major resonance.</p> <p><b>Humidity Testing Method</b>  Tested per IEC 61514-2</p> <p><b>Electrical Classification</b>  <b>Hazardous Area Approvals</b>  CSA— Intrinsicly Safe, FISCO, Explosion-proof, Division 2, Dust Ignition-proof  FM— Intrinsicly Safe, FISCO, Explosion-proof, Non-Incendive, Dust Ignition-proof  ATEX— Intrinsicly Safe, FISCO, Flameproof, Type n  IECEX— Intrinsicly Safe, FISCO, Flameproof, Type n</p> <p><b>Electrical Housing</b>  CSA— Type 4X, IP66  FM— Type 4X, IP66  ATEX— IP66  IECEX— IP66</p>	<p><b>Other Classifications/Certifications</b>  Natural Gas Certified, Single Seal Device— CSA, FM, ATEX, and IECEX  CUTR— Customs Union Technical Regulations (Russia, Kazakhstan and Belarus)  INMETRO— National Institute of Metrology, Quality and Technology (Brazil)  KGS— Korea Gas Safety Corporation (South Korea)  NEPSI— National Supervision and Inspection Centre for Explosion Protection and Safety of Instrumentation (China)  PESO CCOE— Petroleum and Explosives Safety Organisation - Chief Controller of Explosives (India)  TIIS— Technology Institution of Industrial Safety (Japan)</p> <p>Contact your Emerson Process Management sales office for classification/certification specific information</p> <p><b>Connections</b>  Supply Pressure: 1/4 NPT internal and integral pad for mounting 67CFR regulator  Output Pressure: 1/4 NPT internal  Tubing: 3/8-inch recommended  Vent: 3/8 NPT internal  Electrical: 1/2 NPT internal, M20 adapter optional</p> <p><b>Actuator Compatibility</b>  Stem Travel (Sliding-Stem Linear)  <i>Minimum:</i> 6.35 mm (0.25 inch)  <i>Maximum:</i> 606 mm (23-7/8 inches)</p> <p>Shaft Rotation (Quarter-Turn Rotary)  <i>Minimum:</i> 45°  <i>Maximum:</i> 90°</p> <p><b>Weight</b>  DVC6200f  Aluminum: 3.5 kg (7.7 lbs)  Stainless Steel: 8.6 kg (19 lbs)  DVC6205f: 4.1 kg (9 lbs)  DVC6215: 1.4 kg (3.1 lbs)</p>
---	---

-continued-

Table 1-1. Specifications (continued)

<p><b>Construction Materials</b></p> <p>Housing, module base and terminal box: A03600 low copper aluminum alloy (standard) Stainless steel (optional) Cover: Thermoplastic polyester Elastomers: Nitrile (standard) Fluorosilicone (extreme temperature)</p> <p><b>Options</b></p> <p>■ Supply and output pressure gauges or ■ Tire valves ■ Integral mounted filter regulator ■ Low-Bleed Relay ■ Extreme Temperature ■ Natural Gas Certified, Single Seal Device ■ Remote Mount<sup>(6)</sup> ■ Stainless Steel</p>	<p>Contact your Emerson Process Management sales office or go to <a href="http://www.FIELDVUE.com">www.FIELDVUE.com</a> for additional information.</p> <p><b>Declaration of SEP</b></p> <p>Fisher Controls International LLC declares this product to be in compliance with Article 3 paragraph 3 of the Pressure Equipment Directive (PED) 97 / 23 / EC. It was designed and manufactured in accordance with Sound Engineering Practice (SEP) and cannot bear the CE marking related to PED compliance.</p> <p>However, the product <i>may</i> bear the CE marking to indicate compliance with <i>other</i> applicable European Community Directives.</p>
---	---

NOTE: Specialized instrument terms are defined in ANSI/ISA Standard 51.1 - Process Instrument Terminology.  
 1. The pressure/temperature limits in this document and any other applicable code or standard should not be exceeded.  
 2. Normal m<sup>3</sup>/hour - Normal cubic meters per hour at 0°C and 1.01325 bar, absolute. Scfh - Standard cubic feet per hour at 60°F and 14.7 psia.  
 3. Values at 1.4 bar (20 psig) based on a single-acting direct relay; values at 5.5 bar (80 psig) based on double-acting relay.  
 4. Temperature limits vary based on hazardous area approval.  
 5. Not applicable for travels less than 19 mm (0.75 inch) or for shaft rotation less than 60 degrees. Also not applicable for digital valve controllers in long-stroke applications.  
 6. 4-conductor shielded cable, 18 to 22 AWG minimum wire size, in rigid or flexible metal conduit, is required for connection between base unit and feedback unit. Pneumatic tubing between base unit output connection and actuator has been tested to 91 meters (300 feet). At 15 meters (50 feet) there was no performance degradation. At 91 meters there was minimal pneumatic lag.

Table 1-2. EMC Summary Results—Immunity

Port	Phenomenon	Basic Standard	Test Level	Performance Criteria <sup>(1)</sup>
Enclosure	Electrostatic discharge (ESD)	IEC 61000-4-2	4 kV contact 8 kV air	A <sup>(2)</sup>
	Radiated EM field	IEC 61000-4-3	80 to 1000 MHz @ 10V/m with 1 kHz AM at 80% 1400 to 2000 MHz @ 3V/m with 1 kHz AM at 80% 2000 to 2700 MHz @ 1V/m with 1 kHz AM at 80%	A
	Rated power frequency magnetic field	IEC 61000-4-8	30 A/m at 50/60 Hz	A
I/O signal/control	Burst	IEC 61000-4-4	1 kV	A <sup>(2)</sup>
	Surge	IEC 61000-4-5	1 kV	B
	Conducted RF	IEC 61000-4-6	150 kHz to 80 MHz at 3 Vrms	A

Performance criteria: +/- 1% effect.  
 1. A = No degradation during testing, B = Temporary degradation during testing, but is self-recovering.  
 2. Excluding Simulate function, which meets Performance Criteria B.

## Related Information

### Fieldbus Installation and Wiring Guidelines

This manual describes how to connect the fieldbus to the digital valve controller. For a technical description, planning, and installation information for a FOUNDATION fieldbus, refer to the FOUNDATION fieldbus [Technical Overview](#), available from the Fieldbus Foundation and [Fieldbus Installations in a DeltaV System](#), available from your Emerson Process Management sales office.

### Related Documents

Other documents containing information related to the DVC6200f digital valve controller include:

- [Bulletin 62.1:DVC6200f—Fisher FIELDVUE DVC6200f Digital Valve Controller \(D103399X012\)](#)
- [Bulletin 62.1:DVC6200f FD—Fisher FIELDVUE DVC6200f Digital Valve Controller \(D103422X012\)](#)
- [Bulletin 62.1:DVC6200\(S1\)—Fisher FIELDVUE DVC6200 Digital Valve Controller Dimensions \(D103543X012\)](#)
- [Fisher FIELDVUE DVC6200 Series Quick Start Guide \(D103556X012\)](#)
- [475 Field Communicator User's Manual](#)
- ValveLink Software Help or [Documentation](#)

All documents are available from your Emerson Process Management sales office. Also visit our website at [www.FIELDVUE.com](http://www.FIELDVUE.com).

### Educational Services

For information on available courses for the DVC6200f digital valve controller, as well as a variety of other products, contact:

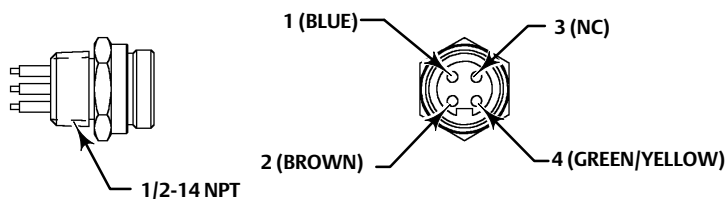
Emerson Process Management  
Educational Services - Registration  
Phone: +1-641-754-3771 or +1-800-338-8158  
e-mail: [education@emerson.com](mailto:education@emerson.com)  
<http://www.emersonprocess.com/education>

## Section 2 Wiring Practices

### Quick Connect Cable Entry

The DVC6200f is offered with a quick connect cable entry option, shown in figure 2-1, for the FOUNDATION fieldbus signal. The quick connect cable entry provides an easier and more reliable interface to fieldbus devices and support modules by providing a standard connection.

Figure 2-1. Quick Connect Connector



NOTES:  
1. COLORS ARE WIRE COLORS.  
2. NC=NO CONNECTION.  
18B9424-A

#### Note

The quick connect cable entry option is only available for intrinsically safe and non-incendive installations.

Refer to figure 8-2 for identification of parts.

#### **⚠ WARNING**

**Personal injury or property damage, caused by fire or explosion, can result from the discharge of static electricity. Connect a 14 AWG (2.08 mm<sup>2</sup>) ground strap between the digital valve controller and earth ground when flammable or hazardous gases are present. Refer to national and local codes and standards for grounding requirements.**

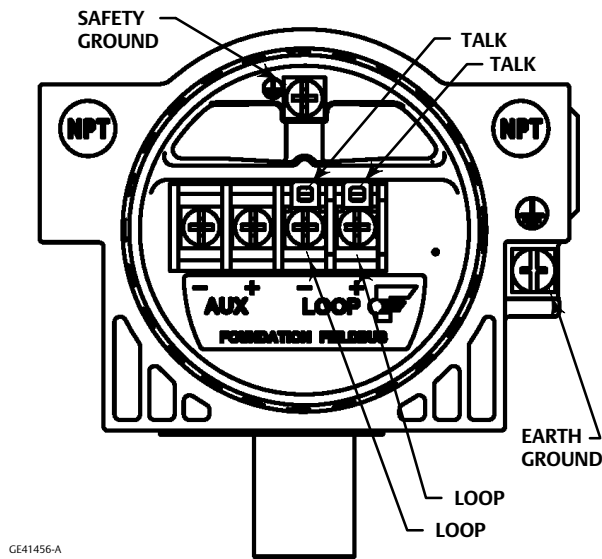
**To avoid static discharge from the plastic cover, do not rub or clean the cover with solvents. Clean with a mild detergent and water only.**

**To avoid personal injury or property damage, do not use the Quick Connect option on instruments in explosion-proof or flameproof installations.**

1. The quick connect cable entry should be installed on the digital valve controller at the factory. If it is, proceed to step 3. If not continue with step 2.
2. To install the Quick Connect:
  - a. Remove the terminal box cap (key 4) from the terminal box (key 3).
  - b. Apply sealant to the threads of the quick connector.
  - c. Insert the wire pigtail into the desired conduit opening on the terminal box. Tighten the quick connector in the conduit opening.

- d. Cut and trim the wire ends.
- e. The instrument is not polarity sensitive. Refer to figure 2-2. Connect the blue wire to one of the LOOP terminals in the terminal box. Connect the brown wire to the other LOOP terminal. Cut the green/yellow wire off inside of the DVC6200f, and ensure that the shield is totally isolated at the instrument end.

Figure 2-2. Loop Connections Terminal Box

**Note**

The green/yellow wire is cut off inside the DVC6200f to help prevent ground loop issues. The only wires that should be installed and left on the connector are the two signal wires.

- f. Replace the terminal box cap on the terminal box. To secure the terminal box cap engage the lock screw.
3. Connect the field wiring connector to the installed quick connector.

## Communication Connections

### **⚠ WARNING**

**Personal injury or property damage caused by fire or explosion may occur if this connection is attempted in a potentially explosive atmosphere or in an area that has been classified as hazardous. Confirm that area classification and atmosphere conditions permit the safe removal of the terminal box cap before proceeding.**

A FOUNDATION fieldbus communicating device, such as a Field Communicator or a personal computer running ValveLink software, interfaces with the DVC6200f digital valve controller from any wiring termination point in the segment. If you choose to connect the fieldbus communicating device directly to the instrument, attach the device to the LOCAL connections inside the terminal box to provide local communications with the instrument.

## Simulate Enable Jumper

### **⚠ WARNING**

**Personal injury or property damage caused by fire or explosion may occur if this connection is attempted in a potentially explosive atmosphere or in an area that has been classified as hazardous. Confirm that area classification and atmosphere conditions permit the safe removal of the terminal box cap before proceeding.**

---

Install a jumper across the SIMULATE ENABLE terminals to enable the instrument to accept a simulate command. (These terminals are marked AUX on the terminal board, see figure 2-2). With the jumper in place and the simulate parameter in the AO or DO block set to enabled, the transducer block ignores the output of the AO or DO block. The simulate value and status become the readback value and status to the AO or DO block and the transducer block is ignored. For more information on running simulations, see the Detailed Setup section of this manual, the FOUNDATION fieldbus specifications, and the host documentation.

### **⚠ WARNING**

**Removing the jumper will disable the simulate, which may cause the valve to move. To avoid personal injury and property damage caused by the release of pressure or process fluid, provide some temporary means of control for the process.**

---





## Section 3 Basic Setup

### Basic Setup

Field Communicator	TB > Configure/Setup > Basic Setup
--------------------	------------------------------------

#### **⚠ WARNING**

**Changes to the instrument setup may cause changes in the output pressure or valve travel. Depending on the application, these changes may upset process control, which may result in personal injury or property damage.**

When the DVC6200f digital valve controller is ordered as part of a control valve assembly, the factory mounts the digital valve controller and sets up the instrument as specified on the order. When mounting to a valve in the field, the instrument needs to be setup to match the instrument to the valve and actuator.

Before beginning basic setup, be sure the instrument is correctly mounted as described in the Installation section.

Basic Setup includes the following procedures:

- Device Setup
- Auto Travel Calibrate
- Performance Tuner (Optional)

#### **Note**

The DVC6200f may keep the Transducer Block Mode Out-of-Service if the instrument is not properly mounted.

To setup and calibrate the instrument, the Transducer Block Mode must be Manual, and the Protection must be None.

When using DD methods the method will request that you change the mode, but make changes in Protection automatically. If you have a host system that overrides transducer block parameters ensure that the Protection setting is not left as None. Doing so will result in transducer block parameters being overwritten.

### Transducer Block Mode

Field Communicator	TB > Configure/Setup > Detailed Setup > Transducer Block Mode
--------------------	---

To setup and calibrate the instrument, the transducer block mode must be in Manual. For more information about transducer block mode, refer to page 38.

### Protection

Field Communicator	TB > Configure/Setup > Detailed Setup > Protection
--------------------	--

To setup and calibrate the instrument, the protection must be set to *None* with the Field Communicator. For more information about configuration protection refer to page 38.

## Device Setup

Field Communicator	TB > Configure/Setup > Basic Setup > Device Setup
--------------------	---

Follow the prompts on the Field Communicator display to automatically setup the instrument using specified actuator information. Table 3-2 provides the actuator information required to setup and calibrate the instrument.

### Note

If reverse-acting relay B is used, you must manually set the Relay Type (BASIC\_SETUP.RELAY\_TYPE [42.5]) to B. This will not be set during Device Setup.

1. Select whether Travel, Travel with Pressure fallback (auto recovery or manual recovery) or Pressure Control is desired. Refer to page 42 for additional information.
2. Enter the pressure units: kPa, bar, psi, inHg, inH<sub>2</sub>O, or kg/cm<sup>2</sup>.
3. Enter the maximum instrument supply pressure and output pressure range (if required).
4. Enter the manufacturer of the actuator on which the instrument is mounted. If the actuator manufacturer is not listed, select Other.
5. Enter the actuator model or type. If the actuator model is not listed, select Other.
6. Enter the actuator size.
7. Indicate whether a Volume Booster is being used.
8. Specify if factory defaults should be used for basic setup. If you select YES for factory default, the Field Communicator sets the setup parameters to the values listed in table 3-1. If you select NO for the factory defaults, the setup parameters listed in the table remain at their previous settings.

Table 3-1. Factory Default Settings

Setup Parameter	Default Setting
Travel Cutoff Hi	99.5%
Travel Cutoff Lo	0.5%
Travel Integral Gain	9.4 repeats/min
Travel Calibration Trigger	No
Travel Integral Enable	On
Travel Integral Limit Hi	30%
Travel Integral Limit Lo	-30%
Travel Integral Deadzone	0.25%
Pressure Cutoff Hi	99.5%
Pressure Cutoff Lo	-0.5%
Pressure Integral Deadzone	0.25%
Pressure Integral Hi Limit	50.0%
Pressure Integral Lo Limit	-50.0%
Input Characterization	Linear
Shutdown Trigger	All Off
Shutdown Recovery	All Auto Recovery
Output Block Timeout	600 sec

Table 3-2. Actuator Information for Initial Setup

Actuator Manufacturer	Actuator Model	Actuator Size	Actuator Style	Starting Tuning Set	Travel Sensor Motion <sup>(2)</sup> Relay A or C <sup>(3)</sup>	
Fisher	585C & 585CR	25	Piston Dbl w/ or w/o Spring. See actuator instruction manual and nameplate.	E	User Specified	
		50		I		
		60		J		
		68, 80		L		
		100, 130		M		
	657	30	Spring & Diaphragm	H	Away from the top of the instrument	
		34, 40		K		
	667	45, 50	Spring & Diaphragm	L	Towards the top of the instrument	
		46, 60, 70, 76, & 80-100		M		
	1051 & 1052	20, 30	Spring & Diaphragm (Window-mount)	H	Away from the top of the instrument	
33		I				
40		K				
1061	60, 70	Piston Dbl w/o Spring	M	Depends upon pneumatic connections. See description for Travel Sensor Motion		
	30		J			
1066SR	20 27, 75	Piston Sgl w/Spring	G L	Mounting Style	Travel Sensor Motion	
				A	Away from the top of the instrument	
				B	Towards the top of the instrument	
				C	Towards the top of the instrument	
2052	1 2 3	Spring & Diaphragm (Window-mount)	H K M	Away from the top of the instrument		
						30, 30E
GX	225	Spring & Diaphragm	X <sup>(1)</sup>	Air to Open Towards the top of the instrument	Air to Close Away from the top of the instrument	
	750		K			
	1200		M			
Baumann	Air to Extend	16	Spring & Diaphragm	C	Towards the top of the instrument	
	Air to Retract	32		E	Away from the top of the instrument	
		54		H		
Rotary	10 25 54	Spring & Diaphragm	E H J	Specify		

NOTE: Refer to table 4-10 for feedback connection (magnet assembly) information.  
 1. X = Expert Tuning. Proportional Gain = 4.2; Velocity Gain = 3.0; Minor Loop Feedback Gain = 18.0  
 2. Travel Sensor Motion in this instance refers to the motion of the magnet assembly.  
 3. Values shown are for Relay A and C. Reverse for Relay B.

Typically Device Setup determines the required setup information based upon the actuator manufacturer and model specified. However, if you enter OTHER for the actuator manufacturer or the actuator model, then you will be prompted for setup parameters such as:

- **Actuator Style**—Select spring & diaphragm, piston double-acting without spring, piston single-acting with spring, piston double-acting with spring.
- **Valve Style**—Select the valve style, rotary or sliding-stem.
- **Zero Power Condition**—this identifies whether the valve is fully open or fully closed when the input is 0%. If you are unsure how to set this parameter, disconnect the instrument from the segment. (With double-acting and single-acting direct digital valve controllers, disconnecting the instrument from the segment is the same as setting the output A pressure to zero. For single-acting reverse digital valve controllers, disconnecting the instrument from the segment is the same as setting the output B pressure to supply.)

### **⚠ WARNING**

**If you answer YES to the prompt for permission to move the valve when setting the Travel Sensor Motion, the instrument will move the valve through its full travel range. To avoid personal injury and property damage caused by the release of pressure or process fluid, isolate the valve from the process and equalize pressure on both sides of the valve or bleed off the process fluid.**

- **Travel Sensor Motion**—Device Setup asks if it can move the valve to determine travel sensor motion. If you answer Yes, the instrument will stroke the valve the full travel span to determine travel sensor motion. If you answer No, then you must specify the direction of travel movement. For quarter-turn actuators determine rotation by viewing the rotation of the magnet assembly from the back of the instrument.

### **Note**

Travel Sensor Motion in this instance refers to the motion of the magnet assembly. Note that the magnet assembly may be referred to as a magnetic array in user interface tools.

For instruments with relay A or C If increasing air pressure at output A causes the magnet assembly to move up, or the actuator shaft to rotate counterclockwise, enter “Towards Top of Instrument/CCW.” If it causes the magnet assembly to move down, or the actuator shaft to rotate clockwise, enter “Away From Top of Instrument/CW.” For instruments with relay B.

For instruments with relay B If decreasing air pressure at output B causes the magnet assembly to move up, or the actuator shaft to rotate counterclockwise, enter “Towards Top of Instrument/CCW.” If it causes the magnet assembly to move down, or the actuator shaft to rotate clockwise, enter “Away From Top of Instrument/CW.”

### **Note**

Relay A adjustment may be required before Device Setup can determine travel sensor motion. Follow the prompts on the Field Communicator display if relay adjustment is necessary.

Table 3-2 lists the required Travel Sensor Motion selections for Fisher and Baumann actuators.

- **Tuning Set**—There are twelve tuning sets to choose from. Each tuning set provides a preselected value for the digital valve controller gain settings. Tuning set C provides the slowest response and M provides the fastest response. For smaller actuators use tuning set C or D. For larger actuators using tuning set F or G. Table 3-3 lists the values for preselected tuning sets.

**Note**

Tuning set B is only available in Pressure Control Mode.

Table 3-3. Gain Values for Preselected Tuning Sets

Tuning Set	Travel			Pressure		
	Proportional Gain	Velocity Gain	Minor Loop Feedback Gain	Proportional Gain	Integrator Gain	Minor Loop Feedback Gain
B	---	---	---	0.5	0.3	35
C	4.4	3.0	35	2.2	0.1	35
D	4.8	3.0	35	2.4	0.1	35
E	5.5	3.0	35	2.8	0.1	35
F	6.2	3.1	35	3.1	0.1	35
G	7.2	3.6	34	3.6	0.1	34
H	8.4	4.2	31	4.2	0.1	31
I	9.7	4.8	27	4.8	0.1	27
J	11.3	5.6	23	5.6	0.1	23
K	13.1	6.0	18	6.6	0.1	18
L	15.5	6.0	12	7.8	0.1	12
M	18.0	6.0	12	9.0	0.1	12
X (Expert)	User Adjusted	User Adjusted	User Adjusted	User Adjusted	User Adjusted	User Adjusted

**⚠ WARNING**

Changes to the tuning set may cause the valve/actuator assembly to stroke. To avoid personal injury or property damage caused by moving parts, keep hands, tools, and other objects away from the valve/actuator assembly.

In addition, you can select Expert, which allows you to individually set the proportional gain, velocity gain, and minor loop feedback gain for travel tuning and pressure proportional gain, pressure integrator gain, and pressure minor loop feedback gain for pressure tuning. Refer to page 39 for additional information on travel tuning and page 41 for pressure tuning.

**Note**

Use Expert tuning only if standard tuning has not achieved the desired results.

Stabilize/Optimize or Performance Tuner may be used to achieve the desired results more rapidly than expert tuning.

Table 3-2 provides tuning set selection guidelines for Fisher and Baumann actuators. These tuning sets are only recommended starting points. After you finish setting up and calibrating the instrument, use Stabilize/Optimize to adjust the tuning set to get the desired response.

When Device Setup is complete you are asked if you wish to run Auto Calibration now. Select yes to automatically calibrate instrument travel at this time. Follow the prompts on the Field Communicator display. The calibration procedure uses the valve and actuator stops as the 0% and 100% calibration points. For additional information, refer to Auto Calibration in the Calibration section.

---

**Note**

Single-acting relay B and C are not user-adjustable. However, it is recommended that you check the relay adjustment for double-acting relay A in new installations before proceeding with travel calibration.

Refer to page 191 for relay adjustment instructions.

---

If after completing setup and calibration the valve cycles or overshoots (unstable), or is unresponsive (sluggish), you can improve operation by running *Performance Tuner* or *Stabilize/Optimize*.

## Performance Tuner

Field Communicator	TB > Configure/Setup > Basic Setup > Performance Tuner
--------------------	--

### **⚠ WARNING**

**During performance tuning the valve may move, causing process fluid or pressure to be released. To avoid personal injury and property damage caused by the release of process fluid or pressure, isolate the valve from the process and equalize pressure on both sides of the valve or bleed off the process fluid.**

---

The Performance Tuner is used to determine digital valve controller tuning. It will move the valve slightly and monitor the effects of small tuning changes until an optimum control response is achieved. Because the Performance Tuner can detect internal instabilities before they become apparent in the travel response, it can generally optimize tuning more effectively than manual tuning. Typically, the Performance Tuner takes 3 to 5 minutes to tune an instrument, although tuning instruments mounted on larger actuators may take longer.

## Section 4 Detailed Setup

### Resource Block

#### Overview

The resource block contains the hardware specific characteristics associated with a device; it has no input or output parameters. The resource block monitors and controls the general operation of other blocks within the device. Most of the resource block parameters are operational parameters that provide information about the instrument such as identification, hardware information, available options, etc. and are read only. Configuration of the resource block involves selecting features from those that are available, setting the mode, setting write lock, and setting up alert reporting details.

The following procedures address only the key resource block parameters; however, all resource block parameters are listed in table 4-3.

#### Configure/Setup

##### Setup

#### Resource Block Mode

Field Communicator	RB > Configure/Setup > Setup > Resource Block Mode
--------------------	--

#### Modes

The resource block can be in one of two modes (MODE\_BLK [5]):

- **Automatic (Auto)**—This is the operational mode for this block. When the resource block is in the Auto mode, all other function blocks are allowed to function normally.
- **Out of Service (OOS)**—Placing the resource block in Out of Service mode stops all function block execution, by setting their modes to Out of Service as well. The actual mode of the function blocks is changed to Out of Service, but the function block target modes are retained. Placing the resource block in the Out of Service mode does not affect the mode of the transducer block.

#### Write Lock

Field Communicator	RB > Configure/Setup > Write Lock
--------------------	-----------------------------------

- **Write Lock**

Write Lock (WRITE\_LOCK [34]) determines if writes are permissible to other device parameters. The Firmware Write Lock feature must be selected to be able to use Write Lock (see Features). When Write Lock is set to Locked, no writes are permitted to any parameters within the device except to set Write Lock to Not Locked. When locked, the device functions normally, updating inputs and outputs and executing algorithms. When Write Lock is set to Not Locked, the Write Alarm (WRITE\_ALM [40]) alert is active.

- Write Priority

Write Priority (WRITE\_PRI [39]) sets the priority for Write Alarm. The lowest priority is 0. The highest is 15.

## Communication Time Out

Field Communicator	RB > Configure/Setup > Communication Time Out
--------------------	---

- Shed Remote Cascade

---

### Note

Typically this parameter does not need to be changed. The unit will be operational using the default values assigned by the factory. Perform this procedure only if a remote computer is sending setpoints from your “advanced” control.

Default value for RCas Timeout is 20 seconds.

---

Shed Remote Cascade (SHED\_RCAS [26]) determines how long function blocks in the DVC6200f should wait before giving up on remote computer writes to RCas parameters. When the timeout is exceeded, the block sheds to the next mode as defined by the block shed options. If Shed Remote Cascade is set to 0, the block will not shed from RCas. Enter a positive value in the Shed Remote Cascade field. Time duration is in 1/32 milliseconds (640000 = 20 secs).

- Shed Remote Out

---

### Note

Typically this parameter does not need to be changed. The unit will be operational using the default values assigned by the factory. Perform this procedure only if a remote computer is sending setpoints from your “advanced” control.

Default value for Shed Remote Out is 20 seconds.

---

Shed Remote Out (SHED\_ROUT [27]) determine how long function blocks in the DVC6200f should wait before giving up on computer writes to ROut parameters. When the timeout is exceeded, the block sheds to the next mode as defined by the block shed options. If Shed Remote Out is set to 0, the block will not shed from ROut. Enter a positive value in the Shed Remote Out field. Time duration is in 1/32 milliseconds (640000 = 20 secs).

## Options

Field Communicator	RB > Configure/Setup > Options
--------------------	--------------------------------

- Diagnostic Options

Diagnostic Options (DIAG\_OPTIONS [45]) shows the diagnostic options available in the instrument.

- Function Block Options

Function Block Options (FB\_OPTIONS [44]) shows which function blocks are available in the instrument.



- **Miscellaneous Options**

Miscellaneous Options (MISC\_OPTIONS [46]) indicates which miscellaneous licensing options are enabled.

- **Features Available**

Features Available (FEATURES [17]) indicates which Resource Block Options features are available.

- **Reports**—Reports enables alert and event reporting. Reporting of specific alerts may be suppressed. See Alerts on page 45.
- **Fault State**—Fault state enables the ability of the output block to react to various abnormal conditions by shedding mode. See parameter descriptions for Set Fault State (SET\_FSTATE [29]) and Clear Fault State (CLR\_FSTATE [30]) in table 4-3 and “Action on Fault Detection”.
- **Soft Write Lock**—Soft Write lock permits using Write Lock (WRITE\_LOCK [34]) to prevent any external change to parameter values. Block connections and calculation results will proceed normally, but the configuration is locked. Also see Write Lock, on page 21.
- **Multi-bit Alarm (Bit-Alarm) Support**— Multi-bit Alarm (Bit-Alarm) Support permits the instrument to treat each PlantWeb alert separately when broadcast to the Host. Without Multi-Bit Alarm Support, an individual PlantWeb alert must be acknowledged before another PlantWeb alert can be broadcast to the Host

- **Features Selected**

---

#### Note

Typically this parameter does not need to be changed. The unit will be operational using the default values assigned by the factory. Fault State, Software Write Lock, and Output Readback are set by default.

---

Features Selected (FEATURE\_SEL [18]) indicates which Resource Block Options features have been selected and is used to select the desired features.

- **Reports**—Selecting reports enables alert and event reporting. Reporting of specific alerts may be suppressed. See Alerts on page 45.
- **Fault State**—Selecting fault state enables the ability of the output block to react to various abnormal conditions by shedding mode. See parameter descriptions for Set Fault State (SET\_FSTATE [29]) and Clear Fault State (CLR\_FSTATE [30]) in table 4-3 and “Action on Fault Detection”.
- **Soft Write Lock**—When selected, permits using Write Lock (WRITE\_LOCK [34]) to prevent any external change to parameter values. Block connections and calculation results will proceed normally, but the configuration is locked. Also see Write Lock, on page 21.
- **Multi-bit Alarm (Bit-Alarm) Support**— When selected, the instrument will allow the instrument to treat each PlantWeb alert separately when broadcast to the Host.

## Alarm Handling

Field Communicator	RB > Configure/Setup > Alarm Handling
--------------------	---------------------------------------

- **Alert Key**—Alert Key (ALERT\_KEY [4]) is a number that permits grouping alerts. This number may be used to indicate to the operator the source of the alert, such as the instrument, plant unit, etc. Enter a value between 1 and 255.

- **Confirm Time**—Confirm Time (CONFIRM\_TIME [33]) determines the time, in 1/32 of a millisecond, the instrument waits for confirmation of receipt of a report before trying again. If Confirm Time is 0, the instrument does not retry to send the report. Enter 0 or a value between 320000 (10 secs) and 640000 (20 secs).
- **Limit Notify**—Limit Notify (LIM\_NOTIFY [32]) is the number of alert reports that the device can send without getting a confirmation up to the maximum permitted in Maximum Notify (MAX\_NOTIFY [31]). If Limit Notify is set to zero, no alerts are reported. Enter a value between 0 and 3.

To have the instrument report alerts without having the host poll the alerts parameters, select the Reports feature (see Feature Select).

- **Maximum Notify**—Maximum Notify (MAX\_NOTIFY [31]) indicates the maximum number of alert reports that the device can send without getting a confirmation. This limit is determined by the amount of memory available for alert messages. The number can be set lower, to control alert flooding, by adjusting Maximum Alerts Allowed (LIM\_NOTIFY [32]).
- **Block Alarm Disabled**—The Block Alarm (BLOCK\_ALM [36]) is used for all configuration, hardware, connection failure or system problems in the block. Alarm Summary (ALARM\_SUM [37]) determines if the Write Alarm (WRITE\_ALM [40]) and Block Alarm [BLOCK\_ALM [36]) are disabled.
- **Block Alarm Auto Acknowledge**—Acknowledge Option (ACK\_OPTION [38]) determines if the block alarm will be automatically acknowledged.
- **Discrete Alarm Disabled**—The Write Alarm (WRITE\_ALM [40]) is used to alert when parameters are writeable to the device. Alarm Summary (ALARM\_SUM [37]) determines if the Discrete Alarm is disabled.
- **Discrete Alarm Auto Acknowledge**—Acknowledge Option (ACK\_OPTION [38]) determines if the Write Alarm associated with the block will be automatically acknowledged.

## Identification

Field Communicator	RB > Configure/Setup > Identification
--------------------	---------------------------------------

- **Device ID**—The 32 character Device ID (DEVICE\_ID [54]).
- **Electronics Serial Number**—The Electronics Serial Number (ELECTRONICS\_SN [49]) set at the factory.
- **Factory Serial Number**—The Factory Serial Number (FACTORY\_SN [50]) is the instrument serial number set at the factory.
- **Field Serial Number**—The Field Serial Number (FIELD\_SN [51]) is the serial number of instrument assigned in field.
- **Tag Description**—The Tag Description (TAG\_DESC [2]) is used to assign a unique 32 character description to each block within the digital valve controller to describe the intended application for the block.
- **Strategy**—Strategy (STRATEGY [3]) permits strategic grouping of blocks so the operator can identify where the block is located. The blocks may be grouped by plant area, plant equipment, etc. Enter a value between 0 and 65535 in the Strategy field.
- **Manufacturer**—Manufacturer Identification (MANUFAC\_ID [10]) identifies the manufacturer of the instrument. It is used by the host system to locate the DD file for the device. For Fisher the Manufacturer ID is 0x5100.
- **Device Type**—Device Type (DEV\_TYPE [11]) identifies the type of device. It is used by the host system to locate the DD file for the device. For a DVC6200f digital valve controller the device type is 0x4602.

- **Diagnostic Options**—Diagnostic Options (DIAG\_OPTIONS [45]) shows the diagnostic options available in the instrument.

## Version

Field Communicator	RB > Configure/Setup > Version
--------------------	--------------------------------

- **Device Revision**—The Device Revision (DEV\_REV [12]) is the manufacturer's revision number associated with the resource, used by an interface device to locate the DD file for the resource.
- **Firmware Revision**—Firmware Revision (FIRMWARE\_REVISION [47]) identifies the revision of the firmware that is currently in use.
- **Standby Firmware Revision**—Standby Firmware Revision (STBY\_FIRMWARE\_REVISION [55]) identifies the revision of the alternative firmware.
- **Hardware Revision**—Hardware Revision (HARDWARE\_REV [48]) identifies the revision of the electronic hardware.
- **ITK Version**—ITK Version (ITK\_VER [41]) identifies the major version of the Interoperability Tester used by the Fieldbus Foundation in certifying the device as interoperable. This device revision meets the requirements of version 5.

## Block Errors

Table 4-1 lists conditions reported in the BLOCK\_ERR [6] parameter. Conditions in *italics* are not applicable for the Resource block and are provided only for your reference.

Table 4-1. Resource Block BLOCK\_ERR Conditions

Condition Number	Condition Name and Description
0	Other - Set if a device initialization error occurred.
1	Block Configuration Error - Set if FEATURE_SEL, CYCLE_SEL, or CYCLE_TYPE is set incorrectly.
2	<i>Link Configuration Error - N/A</i>
3	Simulate Active - Indicates that the simulation jumper is in place on the aux terminals. This is not an indication that the I/O blocks are using simulation data. See AO block parameter SIMULATE [10] and DO block parameter SIMULATE_D [10].
4	<i>Local Override - N/A</i>
5	Device Fault State - Indicates the device is in Fault State.
6	Device Needs Maintenance Soon - Indicates a Maintenance or Advisory PlantWeb Alert condition is active.
7	<i>Input failure/process variable had Bad status - N/A</i>
8	<i>Output failure - N/A</i>
9	Memory failure - Indicates a pending Flash or NVM failure.
10	Lost Static Data - Indicates failure of the memory containing static parameters.
11	Lost NV Data - Indicates failure of the memory containing non-volatile parameters.
12	<i>Readback Check Failed - NA</i>
13	Device Needs Maintenance Now - Indicates a Failed PlantWeb Alert condition is active.
14	Power Up - Indicates the device has been powered up and the Resource Block is <u>not</u> running normally.
15	Out of Service (MSB) - The resource block actual mode is Out of Service.

Table 4-2. Parameters Affected by Restart with Defaults

Index Number	Parameter Name	Initial Value
<b>Resource Block</b>		
1	ST_REV	0
2	TAG_DESC	spaces
3	STRATEGY	0
4	ALERT_KEY	0
5	MODE_BLK TARGET PERMITTED NORMAL	Auto Auto or Out of Service Auto
14	GRANT_DENY	All bits: 0
18	FEATURE_SEL	Set by mfgr.
20	CYCLE_SEL	0:0
26	SHED_RCAS	640000
27	SHED_ROUT	640000
28	FAULT_STATE	1=Clear
32	LIM_NOTIFY	MAX_NOTIFY
33	CONFIRM_TIME	640000
34	WRITE_LOCK	1=Unlocked
37	ALARM_SUM DISABLED	All bits: 0
38	ACK_OPTION	Disabled
39	WRITE_PRI	0
<b>AO Block</b>		
1	ST_REV	0
2	TAG_DESC	spaces
3	STRATEGY	0
4	ALERT_KEY	0
5	MODE_BLK TARGET PERMITTED NORMAL	Out of Service OOS+MAN+AUTO+CAS+RCAS Auto
8	SP	Dynamic
9	OUT	Dynamic
11	PV_SCALE EU 100% EU 0% Engineering Units Decimal Places	100 0 % 2
12	XD_SCALE EU 100% EU 0% Engineering Units Decimal Places	100 0 % 2
14	IO_OPTS	All off
15	STATUS_OPTS	All off
17	CAS_IN	BAD: NC: const 0
18	SP_RATE_DN	+INF
19	SP_RATE_UP	+INF
20	SP_HI_LIM	100
21	SP_LO_LIM	0
22	CHANNEL	1=analog valve input

-Continued-

Table 4-2. Parameters Affected by Restart with Defaults (Continued)

Index Number	Parameter Name	Initial Value
<b>AO Block (continued)</b>		
23	FSTATE_TIME	0
24	FSTATE_VAL	0
26	RCAS_IN Status	BAD: NoComm: NoVal: const 0 Trk All off
27	Value SHED_OPT	
<b>PID Block Parameters</b>		
1	ST_REV	0
2	TAG_DESC	spaces
3	STRATEGY	0
4	ALERT_KEY	0
5	MODE_BLK TARGET PERMITTED	Out of Service OOS+MAN+AUTO+CAS+ RCAS+ROUT
8	NORMAL	Auto
9	SP	Dynamic
9	OUT	Dynamic
10	PV_SCALE EU 100% EU 0% Engineering Units Decimal Places	100 0 % 2
11	OUT_SCALE EU 100% EU 0% Engineering Units Decimal Places	100 0 % 2
13	CONTROL_OPTS	0: Bypass enable
14	STATUS_OPTS	All off
15	IN Status	BAD: NC: const 0
16	Value PV_FTIME	0
17	BYPASS	0
18	CAS_IN Status	BAD: NC: const 0
19	Value SP_RATE_DN	+INF
20	SP_RATE_UP	+INF
21	SP_HI_LIM	100
22	SP_LO_LIM	0
23	GAIN	1
24	RESET	+INF
25	BAL_TIME	0
26	RATE	0
27	BKCAL_IN Status	BAD: NC: const 0
	Value	

-Continued-

Table 4-2. Parameters Affected by Restart with Defaults (Continued)

Index Number	Parameter Name	Initial Value
<b>PID Block (continued)</b>		
28	OUT_HI_LIM	100
29	OUT_LO_LIM	0
30	BKCAL_HYS	0.5%
32	RCAS_IN Status	BAD: NoCom: NoVal: const 0 Trk
33	Value ROUT_IN Status	BAD: NoCom: NoVal: const 0 Trk
	Value	0 Trk
34	SHED_OPT	0
37	TRK_SCALE EU 100% EU 0% Engineering Units Decimal places	100 0 % 2
38	TRK_IN_D Status	BAD: NC: const 0
39	Value TRK_VAL Status	BAD: NC: const 0
40	Value FF_VAL Status	BAD: NC: const 0
	Value	0
41	FF_SCALE EU 100% EU 0% Engineering Units Decimal Places	100 0 % 2
42	FF_GAIN	0
45	ALARM_SUM DISABLED	0
46	ACK_OPTION	Disabled
47	ALARM_HYS	0.5%
48	HI_HI_PRI	0
49	HI_HI_LIM	+INF
50	HI_PRI	0
51	HI_LIM	+INF
52	LO_PRI	0
53	LO_LIM	-INF
54	LO_LO_PRI	0
55	LO_LO_LIM	-INF
56	DV_HI_PRI	0
57	DV_HI_LIM	+INF
58	DV_LO_PRI	0
59	DV_LO_LIM	-INF

-Continued-

Table 4-2. Parameters Affected by Restart with Defaults (Continued)

Index Number	Parameter Name	Initial Value
<b>PID Block (continued)</b>		
66	BIAS	
69	SP_FTIME	0
70	MATHFORM	0
71	STRUCTURECONFIG	0
72	GAMMA	
73	BETA	
74	IDEABAND	0
<b>ISEL Block</b>		
1	ST_REV	0
2	TAG_DESC	spaces
3	STRATEGY	0
4	ALERT_KEY	0
5	MODE_BLK TARGET PERMITTED NORMAL	Out of Service OOS+MAN+AUTO
7	OUT	Auto
8	OUT_RANGE EU 100% EU 0% Engineering Units Decimal Places	100 0 % 2
10	STATUS_OPTS	All off
11	IN_1 Status	BAD NC cons 0
12	Value IN_2 Status	BAD NC cons 0
	Value	0
13	IN_3 Status	BAD NC cons 0
14	Value IN_4 Status	BAD NC cons 0
	Value	0
15	DISABLE_1 Status	BAD NC cons 0
16	Value DISABLE_2 Status	BAD NC cons 0
	Value	0

-Continued-

Table 4-2. Parameters Affected by Restart with Defaults (Continued)

Index Number	Parameter Name	Initial Value
<b>ISEL Block (continued)</b>		
17	DISABLE_3 Status	BAD NC cons 0
18	Value DISABLE_4 Status	BAD NC cons 0
18	Value	0
19	SELECT_TYPE	All off
20	MIN_GOOD	0
22	OP_SELECT Status	BAD NC constant 0
22	Value	0
25	IN_5 Status	BAD NC cons 0
26	Value IN_6 Status	BAD NC cons 0
26	Value	0
27	IN_7 Status	BAD NC cons 0
28	Value IN_8 Status	BAD NC cons 0
28	Value	0
29	DISABLE_5 Status	BAD NC cons 0
30	Value DISABLE_6 Status	BAD NC cons 0
30	Value	0
31	DISABLE_7 Status	BAD NC cons 0
32	Value DISABLE_8 Status	BAD NC cons 0
32	Value	0
33	AVG_USE	0
34	ALARM_SUM DISABLED	0
35	ACK_OPTION	0
36	ALARM_HYS	0.5%
37	HI_HI_PRI	0

-Continued-

Table 4-2. Parameters Affected by Restart with Defaults (Continued)

Index Number	Parameter Name	Initial Value
<b>ISEL Block (continued)</b>		
38	HI_HI_LIM	0
39	HI_PRI	0
40	HI_LIM	0
41	LO_PRI	0
42	LO_LIM	0
43	LO_LO_PRI	0
44	LO_LO_LIM	0
49	OUT_D	0
50	ALM_SEL	All bits: 0
<b>DI Block</b>		
1	ST_REV	0
2	TAG_DESC	spaces
3	STRATEGY	0
4	ALERT_KEY	0
5	MODE_BLK TARGET PERMITTED NORMAL	Out of Service OOS+MAN+AUTO Auto
8	OUT_D	0
10	XD_STATE	0
11	OUT_STATE	0
13	IO_OPTS	All off
14	STATUS_OPTS	All off
15	CHANNEL	0
16	PV_FTIME	0
20	ALARM_SUM DISABLED	0
21	ACK_OPTION	All off
22	DISC_PRI	0
23	DISC_LIM	0
<b>OS Block</b>		
1	ST_REV	0
2	TAG_DESC	spaces
3	STRATEGY	0
4	ALERT_KEY	0
5	MODE_BLK TARGET PERMITTED NORMAL	Out of Service OOS+MAN+AUTO AUTO+CAS
7	SP	0
8	OUT_1	0
9	OUT_2	0
10	OUT_1_RANGE EU 100% EU 0% Engineering Units Decimal Places	100 0 % 2
11	OUT_2_RANGE EU 100% EU 0% Engineering Units Decimal Places	100 0 % 2
13	STATUS_OPTS	disabled
14	CAS_IN Status	BAD NC const 0
	Value	0

-Continued-

Table 4-2. Table Parameters Affected by Restart with Defaults (Continued)

Index Number	Parameter Name	Initial Value
<b>OS Block (continued)</b>		
19	BKCAL_1_IN Status  Value	BAD NC const 0
20	BKCAL_2_IN Status  Value	BAD NC const 0
21	BAL_TIME	0
<b>AI Block</b>		
1	ST_REV	0
2	TAG_DESC	spaces
3	STRATEGY	0
4	ALERT_KEY	0
5	MODE_BLK TARGET PERMITTED NORMAL	Out of Service OOS, MAN, AUTO Auto
8	OUT	
10	XD_SCALE EU at 100% EU 0% Units Index Decimal point	100 0 % 2
11	OUT_SCALE EU 100% EU 0% Units Index Decimal point	100 0 Trk s/b% 2
13	I/O OPTS	disabled
14	STATUS OPTS	disabled
15	CHANNEL	0
16	L_TYPE	0
17	LOW_CUT	0
18	PV_FTIME	0
22	ALARM_SUM DISABLED	0
23	ACK_OPTION	Disabled
24	ALARM_HYS	0.5%
25	HI_HI_PRI	0
26	HI_HI_LIM	0
27	HI_PRI	0
28	HI_LIM	0
29	LO_PRI	0
30	LO_LIM	0
31	LO_LO_PRI	0
32	LO_LO_LIM	0
37	OUT_D	
38	ALM_SEL	unselected
<b>MAI Block</b>		
1	ST_REV	0
2	TAG_DESC	spaces
3	STRATEGY	0
4	ALERT_KEY	0

-Continued-

Table 4-2. Parameters Affected by Restart with Defaults (Continued)

Index Number	Parameter Name	Initial Value
<b>MAI Block (continued)</b>		
5	MODE_BLK TARGET PERMITTED NORMAL	Out of Service OOS, MAN, AUTO Auto
7	CHANNEL	
8	OUT_1	TB.FINAL_VALUE
9	OUT_2	TB.TRAVEL_TARGET
10	OUT_3	TB.FINAL_POSITION_VALUE
11	OUT_4	TB.TRAVEL
12	OUT_5	TB.SUPPLY_PRESS
13	OUT_6	TB.ACT_PRESS_A
14	OUT_7	TB.ACT_PRESS_B
15	OUT_8	TB.ACT_PRESS_DIFF
<b>DO Block</b>		
1	ST_REV	0
2	TAG_DESC	spaces
3	STRATEGY	0
4	ALERT_KEY	0
5	MODE_BLK TARGET PERMITTED	Out of Service OOS+MAN+AUTO+CAS+ RCAS AUTO+CAS
8	SP_D	
9	OUT_D	
11	PV_STATE	0
12	XD_STATE	0
14	IO_OPTS	All off
15	STATUS_OPTS	All off
17	CAS_IN_D Status	BAD NC const 0
18	Value	0
19	CHANNEL FSTATE_TIME	22 0
20	FSTATE_VAL_D	0
22	RCAS_IN_D Status	BAD NoComm NoVal const 0
23	Value	0
27	SHED_OPT	All off
27	SP_RATE_UP	0
28	SP_RATE_DN	0
<b>Transducer Block</b>		
1	ST_REV	N/A
2	TAG_DESC	NULL
3	STRATEGY	0
4	ALERT_KEY	1
5	MODE_BLK TARGET PERMITTED NORMAL	Out of Service AUTO, MAN, OOS Auto
87	PROTECTION	None

## Resource Block Parameter List

- Read/Write Capability: RO - Read Only, RW - Read Write
- Mode: The block mode(s) required to write to the parameter
- Double indentation and shaded Index Number indicates sub-parameter.

Table 4-3. Resource Block Parameter Definitions

Label PARAMETER_NAME	Index Number	RO / RW	Mode	Range	Initial Value	Description
Static Revision ST_REV	1	RO	NA	0 to 65535	0	Data Type: Unsigned16 The revision level of the static data. Increments by one each time a static parameter changes. The value is reset to 0 whenever a Restart with Defaults is performed. See Restarting the Instrument.
Tag Description TAG_DESC	2	RW	NA	7 bit ASCII	Spaces	Data Type: Octet String The user description of the intended application of the block. Null characters are not allowed in this data type.
Strategy STRATEGY	3	RW	ALL	0 to 65535	0	Data Type: Unsigned16 Used to identify groupings of blocks. The data is not checked or processed by the block.
Alert Key ALERT_KEY	4	RW	ALL	1 to 255	0	Data Type: Unsigned8 The identification number of the plant unit. Devices in a loop or plant section can be assigned with a common alert key to aid the operator in determining location of alerts.
Block Mode MODE_BLK	5					
TARGET_MODE	5.1	RW	ALL	3: Auto 7: OOS	3: Auto	Data Type: DS-69 The actual, target, permitted, and normal modes. Target: The requested block mode Actual: The current mode of the block Permitted: Allowed modes for Target Normal: Most common mode for Target
ACTUAL_MODE	5.2	RO	NA	3: Auto 6: IMAN (only during initialization) 7: OOS	N/A	
PERMITTED_MODE	5.3	RW	ALL	3: Auto 7: OOS	3: Auto 7: OOS	
NORMAL_MODE	5.4	RW	ALL	3: Auto	3: Auto	
Block Error BLOCK_ERR	6	RO	N/A	0: Other 1: Block Configuration Error 3: Simulate Active 6: Device needs Maintenance Soon 9: Memory Failure 10: Lost Static Data 11: Lost Non-Volatile Memory 13: Device needs Maintenance Now 14: Power-up 15: Out-of-Service (MSB)	Dynamic	Data Type: Bit String 0 = Inactive 1 = Active Error status associated with hardware or software for the resource block. When an error is shown it may be broadcast to the host through BLOCK_ALM.
Device State RS_STATE	7	RO	N/A	2: Initialization, Actual mode=IMAN 4: On-line, Actual Mode=Auto 5: Standby, Actual Mode=OOS 6: Failure, Actual Mode=OOS	5: Standby	Data Type: Unsigned8 State of the function block application state machine.
Test Read Write TEST_RW	8		ALL		0	This parameter may be used in interoperability testing to read and write all standard data types supported by the Fieldbus Foundation.

-Continued-



Table 4-3. Resource Block Parameter Definitions (Continued)

Label PARAMETER_NAME	Index Number	RO / RW	Mode	Range	Initial Value	Description
DD Resource DD_RESOURCE	9	RO	N/A		Spaces	Data Type: Visible String String identifying the VFD tag of the resource that contains the Device Description for this resource.
Manufacturer Id MANUFAC_ID	10	RO	N/A		0x5100	Data Type: Unsigned32 Manufacturer identification number, used by an interface device or host to locate the DD file for the resource. All manufacturer identification numbers are maintained by the Fieldbus Foundation. A host usually will have a base directory for DD files. In this directory is a subdirectory for each manufacturer id. In each manufacturer id subdirectory is a directory for each device type made by that manufacturer. The device type directories contain files named by combining the device revision for the particular device type with the revision of the device description. The manufacturer id for Fisher is 0x005100.
Device Type DEV_TYPE	11	RO	N/A		4602	Data Type: Unsigned16 Manufacturer's model number associated with the resource, used by an interface device to locate the DD file for the resource.
Device Revision DEV_REV	12	RO	N/A		Varies with release	Data Type: Unsigned8 Manufacturer's revision number associated with the resource, used by an interface device to locate the DD file for the resource.
DD Revision DD_REV	13	RO	N/A		Varies with release	Data Type: Unsigned8 The minimum revision of the device description (DD) than can be used with the device revision of the instrument. Used by the interface device to prevent the use of DDs that are incompatible with the firmware in the instrument.
Grant Deny GRANT_DENY	14					
GRANT	14.1	RW	ALL	Valid Bits: 0: Program 1: Tune 2: Alarm 3: Local	All bits: 0	Data Type: DS-70 Options for controlling access of a host computer and to block parameters. Parameter contains two attributes Grant and Deny each with program, tune, alarm and local permissions. Clearing a grant permission sets the corresponding deny permission, 0 = N/A, 1 = granted. Deny permissions may be cleared through the Deny attribute but not set, 0 = N/A, 1 = denied.
DENY	14.2	RW	ALL		All bits: 0	
Hard Types HARD_TYPES	15	RO	N/A	0: Scalar Input 1: Scalar Output 2: Discrete Input 3: Discrete Output	0: 1 1: 1 2: 1 3: 1	Data Type: Bit String 0 = Inactive 1 = Active The types of hardware available as channel numbers in this resource.
Restart RESTART	16	RW	ALL	1=Run 2=Restart resource 3=Restart with defaults 4=Restart processor	1=Run	Data Type: Unsigned8 Allows a manual restart to be initiated. For details see Restarting the Instrument in this section.
Features FEATURES	17	RO	ALL	1: Reports supported 2: Fault State supported 3: Software Write lock supported 10: Reannunciation supported	1: 1 2: 1 3: 1 10: 1	Data Type: Bit String 0 = Inactive 1 = Active Shows the supported resource block options. Options are turned on and off via FEATURE_SELECT.

-Continued-

Table 4-3. Resource Block Parameter Definitions (Continued)

Label PARAMETER_NAME	Index Number	RO / RW	Mode	Range	Initial Value	Description
Features Selected FEATURE_SEL	18	RW	ALL	1: Reports Supported 2: Fault State supported 3: Software Write lock supported 10:Reannunciation supported	1:0 2:1 3:1 10:0	Data Type: Bit String 0 = Inactive 1 = Active Shows the selected resource block options. For details see Device Features in this section.
Cycle Type CYCLE_TYPE	19	RO	NA	0: Scheduled	0: 1	Data Type: Bit String 0 = Inactive 1 = Active Identifies the block execution methods available for this resource, may be scheduled, completion of block execution
Cycle Selection CYCLE_SEL	20		ALL	0: Scheduled	0: 0	Data Type: Bit String 0 = Inactive 1 = Active Identifies the block execution method selected for this resource.
Minimum Cycle Time MIN_CYCLE_T	21	RO	NA	3200	3200	Data Type: Unsigned32 Time duration of the shortest cycle interval (in 1/32 millisecond) of which the resource is capable. In the digital valve controller this value is fixed at 3200 (100 milliseconds).
Memory Size MEMORY_SIZE	22	RO	NA	45	45	Date Type: Unsigned16 Memory, in kilobytes, available for additional function blocks. Because no additional function blocks may be added to DVC6200f instruments, this parameter value is fixed at 45.
Nonvolatile Cycle Time NV_CYCLE_T	23	RO	NA	Positive	576,000	Date Type: Unsigned32 This parameter identifies the minimum time interval (in 1/32 milliseconds) between copies of NV class data to NV memory. NV memory is updated only if there has been a change in the dynamic value. The last value saved in NV memory will be available for the restart procedure or a power cycle. A non-zero value regulates the frequency of writes, thus protecting the life span of the device. If the value is zero, data will never be automatically copied. Changes made by other than publishing to NV parameters will be copied to non-volatile memory immediately. For DVC6200f instruments, this parameter value is fixed at 576,000 (18 seconds).
Free Space FREE_SPACE	24	RO	NA	0 to 100%	0	Data Type: Float Percent of memory available for additional function blocks (see also MEMORY_SIZE). Because no additional function blocks may be added to DVC6200f instruments, this parameter value is fixed at 0.
Free Time FREE_TIME	25	RO	NA	0 to 100%	0	Data Type: Float Percent of block processing time that is free to process additional blocks. Because no additional function blocks may be added to DVC6200f instruments, this parameter value is fixed at 0.
RCAS Timeout SHED_RCAS	26	RW	ALL	Positive	640000	Date Type: Unsigned32 Time duration (in 1/32 millisecond) at which to give up on computer writes to function block RCAS parameters. If this time is exceeded then the function block will change to a mode other than RCAS based on the SHED_OPT parameter setting. Shed from RCAS mode never happens when SHED_RCAS is set to zero.

-Continued-

Table 4-3. Resource Block Parameter Definitions (Continued)

Label PARAMETER_NAME	Index Number	RO / RW	Mode	Range	Initial Value	Description
ROUT Timeout SHED_ROUT	27	RW	ALL	Positive	640000	Data Type: Unsigned32 Time duration (in 1/32 millisecond) at which to give up on computer writes to function block ROUT parameters. If this time is exceeded then the function block will change to a mode other than ROUT based on the SHED_OPT parameter setting. Shed from ROUT mode never happens when SHED_ROUT is set to zero.
Fault State FAULT_STATE	28	RO	N/A	1=Clear 2=Active	1=Clear	Data Type: Unsigned8 Forces output function blocks that are not Out of Service to the fault state condition. While this parameter is active the output function blocks will go to an actual mode of Local Override (LO) and will perform their fault state actions (see Action On Fault Detection for the output blocks on pages 94 and 170 of this section). This parameter is used to test the fault state behavior that normally occurs when there is a communication problem between devices. This parameter is changed by the SET_FSTATE and CLR_FSTATE parameters so long as the feature Fault State is selected (see Feature Selection [index number 18] in this table).
Set Fault State SET_FSTATE	29	RW	ALL	1=Off 2=Set	1=Off	Data Type: Unsigned8 Selecting Set changes the parameter FAULT_STATE to Active. This is essentially a “write only” parameter as it will always read OFF because it is defined as momentary. Writing a value of OFF has no affect. To use this parameter the feature Fault State must be selected (see Features Selected on page 23).
Clear Fault State CLR_FSTATE	30	RW	ALL	1=Off 2= Clear	1=Off	Data Type: Unsigned8 Selecting Clear changes the parameter FAULT_STATE to Clear and clears the output function blocks of the FAULT_STATE if the field condition, if any, has cleared. This is essentially a “write only” parameter as it will always read OFF because it is defined as momentary. Writing a value of OFF has no affect. To use this parameter the feature Fault State must be selected (see Features Selected on page 23).
Maximum Notify MAX_NOTIFY	31	RO	N/A	3	3	Data Type: Unsigned8 The maximum number of alert reports that this device can send without getting a confirmation. To control alert flooding, the number can be set lower by adjusting the LIM_NOTIFY parameter value. For DVC6200f instruments, this value is fixed at 3.
Maximum Alerts Allow LIM_NOTIFY	32	RW	ALL	0 to MAX_NOTIFY	MAX_NOTIFY	Data Type: Unsigned8 The number of alert reports that this device can send without getting a confirmation up to the maximum permitted in the parameter MAX_NOTIFY. If set to zero, then no alerts are reported.
Confirm Time CONFIRM_TIME	33	RW	ALL	> 0 Set by FCS	640000	Data Type: Unsigned32 The time (in 1/32 millisecond) the device waits for confirmation of receipt of an alert report before trying again.

-Continued-

Table 4-3. Resource Block Parameter Definitions (Continued)

Label PARAMETER_NAME	Index Number	RO / RW	Mode	Range	Initial Value	Description
Write Lock WRITE_LOCK	34	RW	ALL	0=Undefined 1=Unlocked 2=Locked	1=Unlocked	Data Type: Unsigned8 If set to Locked, no writes from anywhere are allowed except to clear WRITE_LOCK by entering Unlocked. Block inputs will continue to be updated if they are subscribers. The feature Soft Write Lock must be selected to enable writing to this parameter (see Device Features in this section).
Update Event UPDATE_EVT	35					
UNACKNOWLEDGED	35.1	RW	ALL	0=Undefined 1=Acknowledged 2=Unacknowledged	0=Undefined	Data Type: DS-73 This alert is generated by any change to the static data. To support tracking changes in static parameter values, the blocks static revision parameter will be incremented each time a static parameter value is changed. Also, the blocks static revision parameter may be incremented if a static parameter is written but the value is not changed. If the Actual Mode is not Out of Service and Reports is selected in the Feature Select parameter, then this parameter will be sent to the host system providing the host has set up alert communications. Changes to static data while the block is Out of Service will be reported when the block transitions to another mode.
UPDATE_STATE	35.2	RO	NA	0=Undefined 1=Update reported 2=Update not reported	0=Undefined	
TIME_STAMP	35.3	RO	NA		0	
STATIC_REVISION	35.4	RO	NA		0	
RELATIVE_INDEX	35.5	RO	NA		0	
Block Alarm BLOCK_ALM	36					
UNACKNOWLEDGED	36.1	RW	ALL	0=Undefined 1=Acknowledged 2=Unacknowledged	0=Undefined	Data Type: DS-72 This alarm is generated by a nonzero value in the Block Error. parameter. This alarm has a fixed priority of 2. For a BLOCK_ALM to be broadcast to the host the following conditions must be met: The feature Reports must be selected Alert communication with the host must be setup In the ALARM_SUM parameter, the disable bit for Block Alarm must be clear.
ALARM_STATE	36.2	RO	NA	0=Undefined 1=Clear reported 2=Clear not reported 3=Active reported 4=Active not reported	0=Undefined	
TIME_STAMP	36.3	RO	NA		0	
SUBCODE	36.4	RO	NA		0	
VALUE	36.5	RO	NA		0	
Alarm Summary ALARM_SUM	37					
CURRENT	37.1	RO	NA	0: Discrete alarm 7: Block Alarm	All bits: 0	Data Type: DS-74 0=clear, acknowledged, reported, enabled Current alert status, unacknowledged states, unreported states, and disabled states of the alarms associated with the function block. The Resource block only has two alarms: Write Alarm and Block Alarm.
UNACKNOWLEDGED	37.2	RO	NA	0: Discrete alarm 7: Block Alarm	All bits: 0	
UNREPORTED	37.3	RO	NA	0: Discrete alarm 7: Block Alarm	All bits: 0	
DISABLED	37.4	RW	ALL	0: Discrete alarm 7: Block Alarm	All bits: 0	
Acknowledge Option ACK_OPTION	38	RW	ALL	0: Discrete Alarm (Write Lock off) 7: Block Alarm	0: 0 7: 0	Data Type: Bit String 0=Disable 1=Enable Selection of whether alarms associated with the block will be automatically acknowledged.
Write Priority WRITE_PRI	39	RW	ALL	0 to 15	0	Data Type: Unsigned8 Priority of the alarm generated by setting WRITE_LOCK to Unlocked.

-Continued-

Table 4-3. Resource Block Parameter Definitions (Continued)

Label PARAMETER_NAME	Index Number	RO / RW	Mode	Range	Initial Value	Description
Write Alarm WRITE_ALM	40					Data Type: DS-72 This alarm is generated when Unlocked in the WRITE_LOCK parameter is set. This alarm has a priority of WRITE_PRI. For a WRITE_ALM to be broadcast to the host the following conditions must be met: The feature Reports must be selected Alert communication with the host must be setup In the ALARM_SUM parameter, the disable bit for Write Alarm must be clear. WRITE_PRI must be greater than 1.
UNACKNOWLEDGED	40.1	RW	ALL	0=Undefined 1=Acknowledged 2=Unacknowledged	0=Undefined	
ALARM_STATE	40.2	RO	NA	0=Undefined 1=Clear reported 2=Clear not reported 3=Active reported 4=Active not reported	0=Undefined	
TIME_STAMP	40.3	RO	NA		0	
SUBCODE	40.4	RO	NA		0	
VALUE	40.5	RO	NA		0	
ITK Version ITK_VER	41	RO	N/A		*	Data Type: Unsigned16 Major version of ITK test this device has been tested to. *Initial value depends on the revision of the DVC6200f.
<b>Extended Parameters</b>						
Private Label Distributor DISTRIBUTOR	42	RO	NA		0x5100	Data Type: Unsigned32 Private label distributor
Device String Array DEV_STRING	43					Unused extended parameter.
Function Block Options FB_OPTIONS	44	RO		Bits 0: AO 1: DO 2: AI 3: DI 4: PID 5: ISEL 6: OS 7: MAI	All options enabled	Data Type: Bit String 0=disabled 1=enabled Indicates which function block licensing options are enabled. One bit for each block type that is supported. Unlicensed blocks cannot be scheduled and the Actual block mode will remain OOS.
Diagnostic Options DIAG_OPTIONS	45	RO	NA	1=FD Fieldbus Diagnostics 2=AD Advanced Diagnostics 3=PD Performance Diagnostics	*	Data Type: Enum Indicates which diagnostics licensing options are enabled. *Initial value depends on the licensed DVC6200f options.
Miscellaneous Options MISC_OPTIONS	46	RO	NA	0: Software Download 10: Travel Control Capable 11: Pressure Control Capable 12: Fallback Capable	FD 0: 1 10: 1 11: 1 AD/PD 0: 1 10: 1 11: 1 12: 1	Data Type: Bit String 0=Disable 1=Enable Indicates which miscellaneous licensing options are enabled.
Firmware Revision FIRMWARE_REVISION	47					Data Type: Uint8 Describes software revision information. This is the revision of the firmware that is currently in use. *Initial value depends on revision of DVC6200f.
FIRMWARE_REV_MAJOR	47.1	RO	NA	0-255	*	
FIRMWARE_REV_MINOR	47.2	RO	NA	0-255	*	
FIRMWARE_REV_BUILD	47.3	RO	NA	0-255	*	
IO_FIRMWARE_REV	47.4	RO	NA	0-255	*	
DIAG_CAL_REV	47.5	RO	NA	0-255	*	
FIRMWARE_REV_ALL	47.6	RO	NA	XX.XX.XX	*	Data Type: Visible String Describes software revision information. The range of this parameter consists of 47.1 through 47.5 values, converted to text, and linked together. *Initial value depends on revision of DVC6200f
Hardware Revision HARDWARE_REV	48	RO	NA	Hardware revision number	Factory Set	Data Type: Uint8 Describe electronic hardware revision information.

-Continued-

Table 4-3. Resource Block Parameter Definitions (Continued)

Label PARAMETER_NAME	Index Number	RO / RW	Mode	Range	Initial Value	Description
Electronics Serial Number ELECTRONICS_SN	49	RO	NA	NA	Factory Set	Data Type: Visible String Electronics serial number set by manufacturing.
Factory Serial Number FACTORY_SN	50	RO	NA	NA	spaces	Data Type: Visible String Instrument serial number set by manufacturing.
Field Serial Number FIELD_SN	51	RW	NA	Any String	spaces	Data Type: Visible String Instrument serial number set in the field.
Detailed Status DETAILED_STATUS	52	RO	NA	NA	0	Data Type: Uint32 Not used
Time Since Reset TIME_SINCE_RESET	53	RO	NA	NA	0	Number of seconds since the last time DVC6200f was restarted. Restart due to power up or restart command.
Device ID DEVICE_ID	54	RO	NA	NA	Device ID	Data Type: Visible String Unique 32 character ID used to identify the device.
STBY_FIRMWARE_REV	55					
STBY_FIRMWARE_REV_MAJOR	55.1	RO	NA	0-255	*	
STBY_FIRMWARE_REV_MINOR	55.2	RO	NA	0-255	*	
STBY_FIRMWARE_REV_BUILD	55.3	RO	NA	0-255	*	
STBY_IO_FIRMWARE_REV	55.4	RO	NA	0-255	*	
STBY_DIAG_CAL_REV	55.5	RO	NA	0-255	*	
STBY_FIRMWARE_REV_ALL	55.6	RO	NA	XX.XX.XX	NA	Data Type: Visible String Describes firmware revision information. * Initial value depends on revision of firmware in standby. The range of this parameter consists of 55.1 through 55.5 values, converted to text, and linked together.
FB_AVAILABLE	56	RO	NA	Bits 0: AO 1: DO 2: AI 3: DI 4: PID 5: ISEL 6: OS 7: MAI	All options enabled	Data Type: Bit String 0=disabled 1=enabled Indicates which function blocks are included in the device.

## View Lists

View lists allow the values of a set of parameters to be accessed at the same time. Views 1 and 2 contain operating parameters and are defined by the Fieldbus Foundation. View 3 contains dynamic parameters and View 4 contains static parameters with configuration and maintenance information. Views 3 and 4 are defined by the manufacturer.

Table 4-4. Resource Block, View 1

Index Number	Parameter
1	ST_REV
5.1	MODE_BLK.TARGET_MODE
5.2	MODE_BLK.ACTUAL_MODE
5.3	MODE_BLK.PERMITTED_MODE
5.4	MODE_BLK.NORMAL_MODE
6	BLOCK_ERR
7	RS_STATE
25	FREE_TIME
28	FAULT_STATE
37.1	ALARM_SUM.CURRENT
37.2	ALARM_SUM.UNACKNOWLEDGED
37.3	ALARM_SUM.UNREPORTED
37.4	ALARM_SUM.DISABLED

Table 4-5. Resource Block, View 2

Index Number	Parameter
1	ST_REV
14.1	GRANT_DENY.GRANT
14.2	GRANT_DENY.DENY
18	FEATURE_SEL
20	CYCLE_SEL
23	NV_CYCLE_T
24	FREE_SPACE
26	SHED_RCAS
27	SHED_ROUT
32	LIM_NOTIFY
33	CONFIRM_TIME
34	WRITE_LOCK

Table 4-6. Resource Block, View 3

Index Number	Parameter
1	ST_REV
5.1	MODE_BLK.TARGET_MODE
5.2	MODE_BLK.ACTUAL_MODE
5.3	MODE_BLK.PERMITTED_MODE
5.4	MODE_BLK.NORMAL_MODE
6	BLOCK_ERR
7	RS_STATE
25	FREE_TIME
28	FAULT_STATE
37.1	ALARM_SUM.CURRENT
37.2	ALARM_SUM.UNACKNOWLEDGED
37.3	ALARM_SUM.UNREPORTED

-continued-

Table 4-6. Resource Block, View 3 (continued)

Index Number	Parameter
37.4	ALARM_SUM.DISABLED
44	FB_OPTIONS
52	DETAILED_STATUS
53	TIME_SINCE_RESET
54	DEVICE_ID

Table 4-7. Resource Block, View 4

Index Number	Parameter
1	ST_REV
3	STRATEGY
4	ALERT_KEY
10	MANUFAC_ID
11	DEV_TYPE
12	DEV_REV
13	DD_REV
15	HARD_TYPES
17	FEATURES
19	CYCLE_TYPE
21	MIN_CYCLE_T
22	MEMORY_SIZE
31	MAX_NOTIFY
38	ACK_OPTION
39	WRITE_PRI
41	ITK_VER
42	DISTRIBUTOR
43	DEV_STRING
45	DIAG_OPTIONS
46	MISC_OPTIONS
47.1	FIRMWARE_REVISION.FIRMWARE_REV_MAJOR
47.2	FIRMWARE_REVISION.FIRMWARE_REV_MINOR
47.3	FIRMWARE_REVISION.FIRMWARE_REV_BUILD
47.4	FIRMWARE_REVISION.IO_FIRMWARE_REV
47.5	FIRMWARE_REVISION.DIAG_CAL_REV
47.6	FIRMWARE_REVISION.FIRMWARE_REV_ALL
48	HARDWARE_REV
49	ELECTRONICS_SN
50	FACTORY_SN
51	FIELD_SN
55.1	STBY_FIRMWARE_REV.STBY_FIRMWARE_REV_MAJOR
55.2	STBY_FIRMWARE_REV.STBY_FIRMWARE_REV_MINOR
55.3	STBY_FIRMWARE_REV.STBY_FIRMWARE_REV_BUILD
55.4	STBY_FIRMWARE_REV.STBY_IO_FIRMWARE_REV
55.5	STBY_FIRMWARE_REV.STBY_DIAG_CAL_REV
55.6	STBY_FIRMWARE_REV.STBY_FIRMWARE_REV_ALL

# Transducer Block

## Overview

The transducer block accepts a signal from an output block as a set point to position a valve using a pneumatic actuator. Input to the transducer block is in percent. Closed is 0%, and open is 100%. The transducer block contains setup and calibration information and can be tuned to closely match the actuator. Input characterization permits modifying the overall characteristic of the instrument-actuator-valve combination in order to modify the installed gain characteristic of the loop. The transducer block can also be used to perform instrument and valve diagnostics and trigger performance alerts.

The following procedures address only the key transducer block parameters; however, all transducer block parameters are listed in table 4-14.

## Detailed Setup

### Note

To setup and calibrate the instrument, the transducer block Mode must be Manual and the Protection must be None.

## Transducer Block Mode

Field Communicator	TB > Configure/Setup > Detailed Setup > Transducer Block Mode
--------------------	---

### Modes

The transducer block can be in one of three modes (MODE\_BLK [5]):

- **Automatic (Auto)**— This is the normal mode for this block. When the transducer block is in the auto mode, it accepts the output from the AO or DO block as a set point and outputs a drive signal to the I/P converter based upon this set point.
- **Out of Service (OOS)**— Placing the transducer block in Out of Service mode changes the output to the zero power (no I/P drive) condition.

Field Communicator	
--------------------	--

- **Manual (MAN)**— Placing the transducer block in Manual will hold the value at the current setpoint (FINAL\_VALUE [13]). The transducer block will not accept changes from the AO or DO blocks. This mode is required to change some parameters and to run some diagnostics.

## Protection

Field Communicator	TB > Configure/Setup > Detailed Setup > Protection
--------------------	--

To configure any parameters in the digital valve controller Write Lock (WRITE\_LOCK [34]), in the resource block, must be set to Unlocked (refer to page 21). In addition, protection is provided for various transducer block parameters, as



indicated in the Protect Category column of table 4-14, to prevent inadvertently overwriting key data by the host system or user.

- All— will protect all transducer block Parameters.
- Setup and Calibration— will protect only Setup and Calibration transducer block parameters.
- Calibration— will protect only Calibration transducer block parameters.
- None— will not protect any transducer block parameters.

**Note**

The Device Setup Auto Travel and Manual Travel methods automatically change transducer block protection for the user.

See table 4-14 for individual parameter details.

## Response Control

### Travel Tuning

Field Communicator	TB > Configure/Setup > Detailed Setup > Response Control > Travel Tuning
--------------------	--

**⚠ WARNING**

**Changes to the tuning set may cause the valve/actuator assembly to stroke. To avoid personal injury or property damage caused by moving parts, keep hands, tools, and other objects away from the valve/actuator assembly.**

- Travel Tuning Set—There are eleven Travel Tuning Sets (TVL\_TUNING\_SET [42.10]) to choose from. Each tuning set provides a preselected value for the digital valve controller gain settings.

Tuning set C provides the slowest response and M provides the fastest response. Table 4-8 lists the proportional gain, velocity gain and minor loop feedback gain values for preselected tuning sets.

In addition, you can specify Expert tuning and individually set the proportional gain, velocity gain, and minor loop feedback gain. Individually setting or changing any tuning parameter or running the Performance Tuner or Stabilize/Optimize will automatically change the tuning set to X (expert).

Table 4-8. Gain Values for Preselected Travel Tuning Sets

Tuning Set	Travel Proportional Gain	Travel Velocity Gain	Travel Minor Loop Feedback Gain
C	4.4	3.0	35
D	4.8	3.0	35
E	5.5	3.0	35
F	6.2	3.1	35
G	7.2	3.6	34
H	8.4	4.2	31
I	9.7	4.8	27
J	11.3	5.6	23
K	13.1	6.0	18
L	15.5	6.0	12
M	18.0	6.0	12
X (Expert)	User Adjusted	User Adjusted	User Adjusted

**Note**

Use Expert tuning if standard tuning has not achieved the desired results.

Stabilize/Optimize may be used to achieve the desired results more rapidly than Expert tuning.

---

Table 3-2 provides tuning set selection guidelines for Fisher and Baumann actuators. These tuning sets are recommended starting points. After you finish setting up and calibrating the instrument, you may have to select either a higher or lower tuning set to get the desired response.

For an actuator not listed in table 3-2, you can estimate a starting tuning set by calculating the casing or cylinder volume. Then, find an actuator in table 3-2 with the closest equivalent volume and use the tuning set suggested for that actuator.

- Travel Proportional Gain—Travel Proportional Gain (SERVO\_GAIN [18]) is the proportional gain for the travel control tuning set. Changing this parameter will also change the tuning set to Expert.
- Travel Velocity Gain—Travel Velocity Gain (SERVO\_RATE [20]) is the velocity gain for the travel control tuning set. Changing this parameter will also change the tuning set to Expert.
- Travel MLFB Gain—Travel MLFB Gain (TVL\_MLFB\_GAIN [44.5]) is the minor loop feedback gain for the travel control tuning set. Changing this parameter will also change the tuning set to Expert.
- Travel Integral Enable—Travel Integral Enable (TVL\_INTEG\_ENABLE [44.1]) is used to enable the integral setting to improve static performance by correcting for error that exists between the travel target and actual travel.
- Travel Integral Gain—Travel Integral Gain (SERVO\_RESET [19]) (also called reset) is the ratio of the change in output to the change in input, based on the control action in which the output is proportional to the time integral of the input.
- Travel Integral Dead Zone—Travel Integral Dead Zone (TVL\_INTEG\_DEADZ [44.4]) is a window around the Primary Setpoint in which the integral action is disabled. The dead band is configurable from 0 to 2%.
- Travel Integral Limit Hi—Travel Integral Limit Hi (TVL\_INTEG\_LIM\_HI [44.2]) provides an upper limit to the integrator output. The high limit is configurable from 0 to 100% of the I/P drive signal.
- Travel Integral Limit Lo—The Travel Integral Limit Lo (TVL\_INTEG\_LIM\_LO [44.3]) provides a lower limit to the integrator output. The low limit is configurable from -100 to 0% of the I/P drive signal.
- Performance Tuner

### **⚠ WARNING**

**During performance tuning the valve may move, causing process fluid or pressure to be released. To avoid personal injury and property damage caused by the release of process fluid or pressure, isolate the valve from the process and equalize pressure on both sides of the valve or bleed off the process fluid.**

---

Performance Tuner is used to determine digital valve controller tuning. It will move the valve slightly and monitor the effects of small tuning changes until an optimum control response is achieved. Because the Performance Tuner can detect internal instabilities before they become apparent in the travel response, it can generally optimize tuning more effectively than manual tuning.

- Stabilize/Optimize

### **⚠ WARNING**

**During Stabilize/Optimize the valve may move, causing process fluid or pressure to be released. To avoid personal injury and property damage caused by the release of process fluid or pressure, isolate the valve from the process and equalize pressure on both sides of the valve or bleed off the process fluid.**

---

If after completing initial setup and calibration the valve cycles or overshoots, or is sluggish, you can improve operation by running Stabilize/Optimize.

Stabilize/Optimize is included with the device description (DD) firmware. Stabilize/Optimize is accessible from the transducer block and permits changing the transducer block set point a small amount to see if the valve is unstable or unresponsive. If valve response is unsatisfactory, the method permits adjusting the digital valve controller tuning to improve response.

If the valve is unstable, select *Decrease Response* to stabilize valve operation. This selects the next lower tuning set (e.g., F to E). If the valve response is sluggish, select *Increase Response* to make the valve more responsive. This selects the next higher tuning set (e.g., F to G).

If after selecting *Decrease Response* or *Increase Response* the valve travel overshoot is excessive, *Increase Damping* or *Decrease Damping* can be used to select a damping value not represented in a predefined tuning set. Select *Decrease Damping* to select a damping value that allows more overshoot. Select *Increase Damping* to select a damping value that will decrease the overshoot.

When valve operation is satisfactory, select Exit. Before exiting, you are asked if you want to return the transducer block mode to Auto. Select Yes to change the transducer block mode to Auto. Select No to leave the transducer block in its current mode.

## Pressure Tuning

Field Communicator	TB > Configure/Setup > Detailed Setup > Response Control > Pressure Tuning
--------------------	--

### **⚠ WARNING**

**Changes to the tuning set may cause the valve/actuator assembly to stroke. To avoid personal injury or property damage caused by moving parts, keep hands, tools, and other objects away from the valve/actuator assembly.**

- Pressure Tuning Set

There are twelve Pressure Tuning Sets (PRESS\_TUNING\_SET [42.11]) to choose from. Each tuning set provides a preselected value for the digital valve controller gain settings.

Tuning set C provides the slowest response and M provides the fastest response. Tuning set B is appropriate for controlling a pneumatic positioner. Table 4-9 lists the proportional gain, pressure integrator gain and minor loop feedback gain values for preselected tuning sets.

In addition, you can specify Expert tuning and individually set the pressure proportional gain, pressure integrator gain, and pressure minor loop feedback gain. Individually setting or changing any tuning parameter will automatically change the tuning set to X (expert).

Table 4-9. Gain Values for Preselected Pressure Tuning Sets

Tuning Set	Pressure Proportional Gain	Pressure Integrator Gain	Pressure Minor Loop Feedback Gain
B	0.5	0.3	35
C	2.2	0.1	35
D	2.4	0.1	35
E	2.8	0.1	35
F	3.1	0.1	35
G	3.6	0.1	34
H	4.2	0.1	31
I	4.8	0.1	27
J	5.6	0.1	23
K	6.6	0.1	18
L	7.8	0.1	12
M	9.0	0.1	12
X (Expert)	User Adjusted	User Adjusted	User Adjusted

**Note**

Use Expert tuning only if standard tuning has not achieved the desired results.

Stabilize/Optimize may be used to achieve the desired results more rapidly than Expert tuning.

- Pressure Proportional Gain—Pressure Proportional Gain (PRESS\_PROP\_GAIN [47.3]) is the proportional gain for the pressure control tuning set. Changing this parameter will also change the tuning set to Expert.
- Pressure MLFB Gain—Pressure MLFB Gain (PRESS\_MLFB\_GAIN [47.11]) is the minor loop feedback gain for the pressure control tuning set. Changing this parameter will also change the tuning set to Expert.
- Pressure Integral Gain—Pressure Integral Gain (PRESS\_INTEG\_GAIN [47.4]) (also called reset) is the ratio of the change in output to the change in input, based on the control action in which the output is proportional to the time integral of the input. Changing this parameter will also change the tuning set to Expert.
- Pressure Integral Dead Zone—Pressure Integral Dead Zone (PRESS\_INTEG\_DEADZ [47.6]) is a window around the Primary Setpoint in which the integral action is disabled. The dead band is configurable from 0 to 2%.
- Pressure Integral Limit Hi—Pressure Integral Limit Hi (PRESS\_INTEG\_HI\_LIM [47.7]) provides an upper limit to the integrator output. The high limit is configurable from 0 to 100% of the I/P drive signal.
- Pressure Integral Limit Lo—Pressure Integral Limit Lo (PRESS\_INTEG\_LO\_LIM [47.8]) provides a lower limit to the integrator output. The low limit is configurable from -100 to 0% of the I/P drive signal.

**Travel Pressure Control**

Field Communicator	TB > Configure/Setup > Detailed Setup > Response Control > Travel Pressure Control
--------------------	--

- Travel/Pressure State—Travel/Pressure State (TVL\_PRESS.STATE [41.2]) indicates if the instrument is being used for travel control (position control) or as an I/P (pressure control)
- Travel/Pressure Select

**CAUTION**

**When using Pressure Fallback Manual Recovery or Pressure Fallback Auto Recovery, the valve travel has the potential of moving rapidly causing potential process instability when returning to Travel Control.**

**Note**

Travel / Pressure Select must be set to Travel for double acting actuators.

Travel / Pressure Select (TVL\_PRESS\_SELECT [41.1]) determines if the instrument is setup for position or pressure control. Select Travel, Pressure, Travel with Pressure Fallback/Auto recovery or Travel with Pressure Fallback/Manual Recovery. If the travel sensor fails, and Travel with Pressure Fallback/Auto Recovery is selected, it will return to travel control when the travel sensor starts working again. Travel with Pressure Fallback/Manual recovery will stay in pressure control until Travel Pressure Select is changed to Travel or Travel with Pressure Fallback/Auto recovery. It is not necessary to enable the Travel Sensor Alert for Pressure Fallback to occur.

- **Travel Deviation Pressure Fallback**—Travel Deviation Pressure Fallback occurs when the instrument detects that the travel sensor is outside of its normal range of operation or that a gross deviation exists between set point and actual travel. It switches to Pressure Control and no longer uses the travel sensor to position the valve.
- **Travel Cutoff Hi**—Travel Cutoff Hi (FINAL\_VALUE\_CUTOFF\_HI [15]) defines the high cutoff point for the travel in percent (%) of pre-characterized setpoint. Above this cutoff, the travel target is set to 123.0% of the ranged travel. Travel Cutoff Hi is deactivated by setting it to 125.0%.
- **Travel Cutoff Lo**—Travel Cutoff Lo (FINAL\_VALUE\_CUTOFF\_LO [16]) defines the low cutoff point for the travel in percent (%) of pre-characterized setpoint. Below this cutoff, the travel target is set to -23%. A Travel Cutoff Lo of 0.5% is recommended to help ensure maximum shutoff seat loading. Travel Cutoff Lo is deactivated by setting it to -25.0%.
- **Pressure Cutoff Open**—Pressure Cutoff Open (PRESS\_CUTOFF\_HI [47.1]) defines the high cutoff point for the pressure in percent (%) of pre-characterized setpoint. Above this cutoff, the pressure target is set to 123.0%. A Pressure Cutoff Open of 99.5% is recommended to ensure valve goes fully open. Pressure Cutoff Hi is deactivated by setting it 125%.
- **Pressure Cutoff Closed**—Pressure Cutoff Closed (PRESS\_CUTOFF\_LO [47.2]) defines the low cutoff point for the pressure in percent (%) of pre-characterized setpoint. Below this cutoff, the pressure target is set to -23%. A Pressure Cutoff Closed of 0.5% is recommended to help ensure maximum shutoff seat loading. Pressure Cutoff Closed is deactivated by setting it to -25.0%.
- **Pressure Range Hi**—Pressure Range Hi (PRESS\_RANGE\_HI [42.7]) is the high end of output pressure range. Enter the pressure that corresponds with 100% valve travel when Zero Power Condition is closed, or 0% valve travel when Zero Power Condition is open. This pressure *must be greater* than the Pressure Range Lo.
- **Pressure Range Lo**—Pressure Range Lo (PRESS\_RANGE\_LO [42.8]) is the low end of the output pressure range. Enter the pressure that corresponds to 0% valve travel when Zero Power Condition is closed, or 100% valve travel when Zero Power Condition is open. The pressure *must be less* than the Pressure Range Hi.

**Input Characterization**

Field Communicator	TB > Configure/Setup > Detailed Setup > Response Control > Input Characterization
--------------------	---

Input Characterization (INPUT\_CHAR [50]) defines the relationship between the travel target and the setpoint received from the output block. Travel target is the output from the characterization function.

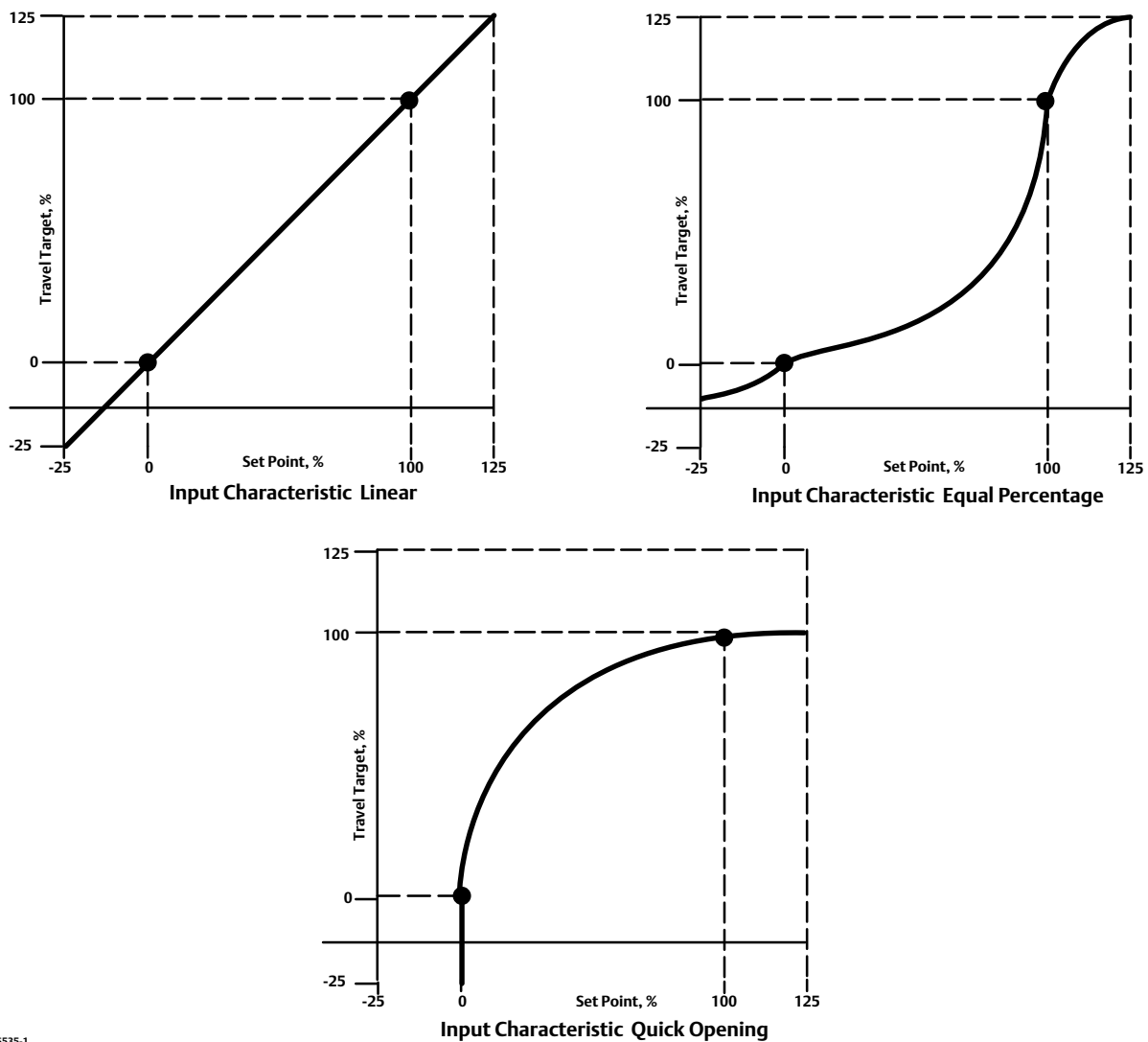
### Custom Characterization Table

Field Communicator	TB > Configure/Setup > Detailed Setup > Response Control > Custom Characterization Table
--------------------	--

You can select from the three fixed input characteristics shown in figure 4-1 or you can select a custom characteristic. Figure 4-1 shows the relationship between the travel target and travel set point for the fixed input characteristics.

You can specify 21 points on a custom characteristic curve. Each point defines a travel target, in % of ranged travel, for a corresponding set point, in % of ranged set point. Set point values range from -25.0% to 125%. Before modification, the custom characteristic is linear. You cannot modify the custom points if the Input Characterization (INPUT\_CHAR [50]) is set to custom.

Figure 4-1. Travel Target Versus Ranged Set Point, for Various Input Characteristics (Zero Power Condition = Closed)



A6535-1

## Outblock Selection

Field Communicator	TB > Configure/Setup > Detailed Setup > Response Control > Outblock Selection
--------------------	---

Outblock Selection (OUTBLOCK\_SEL [96]) defines which output function block will control the setpoint of the valve. The output block that is not selected will shed its mode to reflect that it does not have control of the valve.

## Alerts

The DVC6200f provides two levels of alerts; Instrument alerts and PlantWeb alerts.

### Instrument Alert Conditions

Instrument Alert Conditions, when enabled, detect many operational and performance issues that may be of interest. To view these alerts, the user must open the appropriate status screen on a host such as DeltaV, ValveLink software or a Field Communicator.

### PlantWeb Alerts

Some instrument alert conditions can also be used to trigger PlantWeb alerts that will be reported in Failed, Maintenance or Advisory categories, as configured by the user. PlantWeb alerts, when enabled, can participate in the DeltaV alarm interface tools such as the alarm banner, alarm list and alarm summary.

When a PlantWeb alert occurs, the DVC6200f sends an event notification and waits a specified period of time for an acknowledgment to be received. This occurs even if the condition that caused the alert no longer exists. If the acknowledgment is not received within the pre-specified time-out period, the event notification is retransmitted. This reduces the possibility of alert messages getting lost.

PlantWeb alerts are mode-based. Refer to table C-1 for details.

---

#### Note

Additional details on setting up and using PlantWeb Alerts can be found in Appendix C of this manual.

---

## Electronics Alerts

Field Communicator	TB > Configure/Setup > Detailed Setup > Alerts > Elect Alerts
--------------------	---

### Drive Current

- Drive Current—Drive Current (DRIVE\_CURRENT [54]) displays the measured Drive Current actually flowing through the I/P converter in percent of maximum drive.
- Drive Current Alert—This alert is active when the difference between the expected Drive Current and the actual Drive Current has exceeded the Drive Current Alert Time.
- Drive Current Alert Enable—When enabled Drive Current Alert Enable activates the Drive Current Alert.
- Drive Current Shutdown—The Shutdown Trigger (SHUTDOWN\_TRIGGER [76.1]) permits enabling or disabling Self Test Shutdown for the Drive Current alert. When enabled, and the alert condition is present, the transducer Actual

mode is placed Out of Service. The instrument will attempt to drive the valve to the Zero Power Condition and will no longer execute transducer control function.

- Drive Current Manual Recovery—Shutdown Recovery (SHUTDOWN\_RECOVERY [76.2]) permits enabling or disabling Automatic recovery from Self Test Shutdown. When enabled, the transducer block will return to Target mode when Drive Current Shutdown clears. If not enabled, the transducer block will remain Out of Service until power is removed and restored or the user changes the transducer block target mode to Manual or Auto. In any case, the target mode will remain Out of Service, if the condition that caused the shutdown remains or until the shutdown trigger is disabled.
- Drive Current Alert Point—The Drive Current Alert Point (DRIVE\_CURRENT\_ALRT\_PT [76.4]) is when the absolute difference between the Drive Current and Drive Signal exceeds the set threshold for greater than the Drive Current Alert Time.
- Drive Current Alert Time—The Drive Current Alert Time (DRIVE\_CURRENT\_TIME [76.5]) is the maximum time that the Drive Current Alert Point can be exceeded before the Drive Current Alert is active.

### Drive Signal

- Drive Signal—The Drive Signal (DRIVE\_SIGNAL [53]) displays the commanded Drive Signal being sent to the I/P converter as a percentage of the maximum drive.
- Drive Signal Alert

The Drive Signal Alert is active if one of the following conditions exist:

Where Zero Power Condition is defined as closed:

Drive Signal < 10% and Calibrated Travel > 3%

Drive Signal > 90% and Calibrated Travel < 97%

Where Zero Power Condition is defined as open:

Drive Signal < 10% and Calibrated Travel < 97%

Drive Signal > 90% and Calibrated Travel > 3%

- Drive Signal Alert Enable—When enabled Drive Signal Alert Enable activates the Drive Signal Alert.

### Processor Impaired

- Program Memory Alert—This alert is active if a pending Flash or NVM failure is present.
- Program Memory Alert Enable—When enabled Program Memory Alert Enable activates the Program Memory Alert.
- Program Memory Shutdown—The Shutdown Trigger (SHUTDOWN\_TRIGGER [76.1]) permits enabling or disabling Self Test Shutdown. When enabled, and the Program Memory Alert is active, the transducer Actual mode is placed out of service. The instrument will attempt to drive the valve to the zero power condition and will no longer execute transducer control function.
- Program Memory Manual Recovery—Shutdown Recovery (SHUTDOWN\_RECOVERY [76.2]) permits enabling or disabling Automatic recovery from Self Test Shutdown. When enabled, the transducer block will return to Target mode when the condition that caused Program Memory Shutdown clears. If not enabled, the transducer block will



remain Out of Service until power is removed and restored or the user changes the transducer block target mode to Manual or Auto. In any case, the target mode will remain Out of Service, if the condition that caused the shutdown remains or until the shutdown trigger is disabled.

- **Static Memory Alert**—This alert is active if a failure occurs in the FRAM memory where the static parameters are stored.
- **Static Memory Alert Enable**—When enabled Static Memory Alert Enable activates the Static Memory Alert.
- **Static Memory Shutdown**—The Shutdown Trigger (SHUTDOWN\_TRIGGER [76.1]) permits enabling or disabling Self Test Shutdown. When enabled, and the Static Memory Alert is active, the transducer Actual mode is placed out of service. The instrument will attempt to drive the valve to the zero power condition and will no longer execute transducer control function.
- **Static Memory Manual Recovery**—Shutdown Recovery (SHUTDOWN\_RECOVERY [76.2]) permits enabling or disabling Automatic recovery from Self Test Shutdown. When enabled, the transducer block will return to Target mode when the condition that caused Static Memory Shutdown clears. If not enabled, the transducer block will remain Out of Service until power is removed and restored or the user changes the transducer block target mode to Manual or Auto. In any case, the target mode will remain Out of Service, if the condition that caused the shutdown remains or until the shutdown trigger is disabled.
- **Processor Alert**—This alert is active if a failure occurs in the main processor.
- **Processor Alert Enable**—When enabled Processor Alert Enable activates the Processor Alert.
- **I/O Processor Alert**—This alert is active if a failure occurs in the I/O processor.
- **I/O Processor Shutdown**—The Shutdown Trigger (SHUTDOWN\_TRIGGER [76.1]) permits enabling or disabling Self Test Shutdown. When enabled, and the I/O Processor Alert is active, the transducer Actual mode is placed out of service. The instrument will attempt to drive the valve to the zero power condition and will no longer execute transducer control function.
- **I/O Processor Man Recovery**—Shutdown Recovery (SHUTDOWN\_RECOVERY [76.2]) permits enabling or disabling Automatic recovery from Self Test Shutdown. When enabled, the transducer block will return to Target mode when the condition that caused I/O Processor Shutdown clears. If not enabled, the transducer block will remain Out of Service until power is removed and restored or the user changes the transducer block target mode to Manual or Auto. In any case, the target mode will remain Out of Service, if the condition that caused the shutdown remains or until the shutdown trigger is disabled.

## Configuration Alerts

Field Communicator	TB > Configure/Setup > Detailed Setup > Alerts > Configuration Alerts
--------------------	---

### Output Block Timeout

- **Output Block Timeout Alert**—This alert is active if the analog or discrete output block has not executed for longer than the configured timeout.
- **Output Block Timeout Alert Enable**—When enabled Output Block Timeout Alert Enable activates the Output Block Timeout Alert.
- **Output Block Timeout Shutdown**—The Shutdown Trigger (SHUTDOWN\_TRIGGER [76.1]) permits enabling or disabling Self Test Shutdown. When enabled, and the Output Block Timeout Alert is active, the transducer Actual

mode is placed out of service. The instrument will attempt to drive the valve to the zero power condition and will no longer execute transducer control function.

- Output Block Timeout Manual Recovery—Shutdown Recovery (SHUTDOWN\_RECOVERY [76.2]) permits enabling or disabling Manual recovery from Self Test Shutdown. When enabled, the transducer block will return to Target mode when the condition that caused Output Block Timeout Shutdown clears. If not enabled, the transducer block will remain Out of Service until power is removed and restored or the user changes the transducer block target mode to Manual or Auto. In any case, the target mode will remain Out of Service if the condition that caused the shutdown remains or until the shutdown trigger is disabled.
- Output Block Timeout—The Output Block Timeout (OUTPUT\_BLK\_TIMEOUT [76.3]) is the maximum time between updates from the AO or DO block to the transducer block setpoint.

### Blocks Set to Default

- Blocks Set to Defaults Alert—This alert is active if the resource block has undergone Restart with Defaults. This will stay active until the transducer block is changed from Out of Service.
- Blocks Set to Defaults Alert Enable—When enabled Blocks Set to Defaults Alert Enable activates the Blocks Set to Default Alert.

### Alert Key

The Alert Key (ALERT\_KEY [4]) is the identification number of the plant unit. Devices in a loop or plant section can be assigned with a common alert key to aid the operator in determining location of alerts.

## Sensor Alerts

Field Communicator	TB > Configure/Setup > Detailed Setup > Alerts > Sensor Alerts
--------------------	--

### Travel Sensor

- Travel Sensor Alert—This alert is active if the Travel Sensor reading is outside the functional range, or the sensor becomes disconnected.
- Travel Sensor Alert Enable—When enabled Travel Sensor Alert Enable activates the Travel Sensor Alert.
- Travel Sensor Shutdown—The Shutdown Trigger (SHUTDOWN\_TRIGGER [76.1]) permits enabling or disabling Self Test Shutdown. When enabled, and the Travel Sensor alert is active, the transducer Actual mode is placed out of service. The instrument will attempt to drive the valve to the zero power condition and will no longer execute transducer control function.
- Travel Sensor Manual Recovery—Shutdown Recovery (SHUTDOWN\_RECOVERY [76.2]) permits enabling or disabling Manual recovery from Self Test Shutdown. When not enabled, the transducer block will return to Target mode when Travel Sensor Shutdown clears. If enabled, the transducer block will remain Out of Service until power is removed and restored or the user changes the transducer block target mode to Manual or Auto. In any case, the target mode will remain Out of Service, if the condition that caused the shutdown remains or until the shutdown trigger is disabled.

### Pressure Sensors

- Pressure A Sensor Alert—This alert is active if the Port A Pressure Sensor reading is outside the functional range.
- Pressure A Sensor Alert Enable—When enabled Pressure A Sensor Alert Enable activates the Pressure A Sensor Alert.

- Pressure A Sensor Shutdown—The Shutdown Trigger (SHUTDOWN\_TRIGGER [76.1]) permits enabling or disabling Self Test Shutdown. When enabled, and the Port A Pressure Sensor Alert is active, the transducer Actual mode is placed out of service. The instrument will attempt to drive the valve to the zero power condition and will no longer execute transducer control function.
- Pressure A Sensor Manual Recovery—Shutdown Recovery (SHUTDOWN\_RECOVERY [76.2]) permits enabling or disabling Manual recovery from Self Test Shutdown. When not enabled, the transducer block will return to Target mode when Pressure A Sensor Shutdown clears. If enabled, the transducer block will remain Out of Service until power is removed and restored or the user changes the transducer block target mode to Manual or Auto. In any case, the target mode will remain Out of Service, if the condition that caused the shutdown remains or until the shutdown trigger is disabled.
- Pressure B Sensor Alert—This alert is active if the Port B Pressure Sensor reading is outside the functional range.
- Pressure B Sensor Alert Enable—When enabled Pressure B Sensor Alert Enable activates Pressure B Sensor Alert.
- Supply Pressure Sensor Alert—This alert is active if the Supply Pressure Sensor reading is outside the functional range.
- Supply Pressure Sensor Alert Enable—When enabled Supply Pressure Sensor Alert Enable activates the Supply Pressure Sensor Alert.

#### Pressure Fallback

- Pressure Fallback Alert—This alert is active if a travel sensor failure or a gross travel deviation has resulted in fallback to pressure control.
- Pressure Fallback Alert Enable—When enabled Pressure Fallback Alert Enable activates the Pressure Fallback Alert.

#### Temperature Sensor

- Temperature Sensor Alert—This alert is active if the Temperature Sensor reading is outside the functional range.
- Temperature Sensor Alert Enable—When enabled Temperature Sensor Alert Enable activates the Temperature Sensor Alert.

### Environment Alerts

Field Communicator	TB > Configure/Setup > Detailed Setup > Alerts > Environment Alerts
--------------------	---

#### Supply Pressure

- Supply—Supply (SUPPLY\_PRESSURE.VALUE [35.2]) displays the instrument supply pressure in kPa, bar, or psi.
- Supply Pressure Hi Alert—This alert is active when the supply pressure exceeds the Supply Pressure Hi Alert Point.
- Supply Pressure Hi Alert Enable—When enabled Supply Pressure Hi Alert Enable activates Supply Pressure Hi Alert.
- Supply Pressure Hi Alert Point—The Supply Pressure Hi Alert is active when supply pressure exceeds the Supply Pressure Hi Alert Point (SUP\_PRES\_HI\_ALERT\_PT [76.8]).
- Supply Pressure Lo Alert—This alert is active when the supply pressure is lower than the Supply Pressure Lo Alert Point.

- Supply Pressure Lo Alert Enable—When enabled Supply Pressure Lo Alert Enable activates Supply Pressure Lo Alert.
- Supply Pressure Lo Alert Point—Supply Pressure Lo Alert Point (SUP\_PRES\_LO\_ALRT\_PT [76.9]). When the supply pressure falls below the supply pressure alert point, the supply pressure alert is active. To disable the supply pressure alert, set Supply Pressure Alert Point to zero.

### Temperature Limit

- Temperature—Degrees Fahrenheit or Celsius. The temperature (TEMPERATURE [48]) is measured from a sensor mounted on the digital valve controller's printed wiring board.
- Temperature Hi Alert—This alert is active if the temperature is greater than the Temperature Hi Alert Point.
- Temperature Hi Alert Enable—When enabled Temperature Hi Alert Enable activates the Temperature Hi Alert.
- Temperature Hi Alert Point—The Temperature Hi Alert is active when the instrument temperature exceeds the Temperature Hi Alert Point (TEMP\_HI\_ALRT\_PT [76.6]).
- Temperature Lo Alert—This alert is active if the temperature is lower than the Temperature Lo Alert Point.
- Temperature Lo Alert Enable—When enabled Temperature Lo Alert Enable activates the Temperature Lo Alert.
- Temperature Lo Alert Point—The Temperature Lo Alert is active when the instrument temperature is lower than the Temperature Lo Alert Point (TEMP\_LO\_ALRT\_PT [76.7]).

### Travel Alerts

Field Communicator	TB > Configure/Setup > Detailed Setup > Alerts > Travel Alerts
--------------------	--

#### Note

The alerts contained in this section are valid for both travel and pressure control.

### Travel Target

Travel target is the output from the characterization function.

### Travel

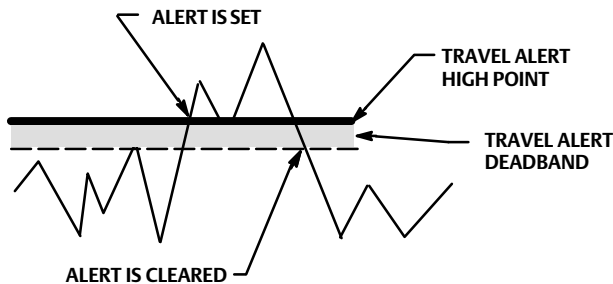
Travel (TRAVEL.VALUE [34.2]) displays the actual position of the valve in percent (%) of calibrated travel.

### Travel Deviation

- Travel Deviation—Travel Deviation (TRAVEL\_DEVIATION [52]) displays the absolute difference in percent between Travel Target and Actual Travel.
- Travel Deviation Alert—This alert is active if the Travel deviation exceeds the Travel Deviation Alert Point by more than the Travel Deviation Time.
- Travel Deviation Alert Enable—When enabled Travel Deviation Alert Enable activates the Travel Deviation Alert.

- **Travel Deviation Alert Point**—The Travel Deviation Alert Point (TVL\_DEV\_ALRT\_PT [77.1]) is the alert point for the difference, expressed in percent (%), between the travel target and the actual travel. When the difference exceeds the alert point for more than the Travel Deviation Time, the Travel Deviation Alert is set.
- **Travel Deviation Time**—Travel Deviation Time (TVL\_DEV\_TIME [77.2]) is the time, in seconds, that the travel deviation must exceed the Travel Deviation Alert Point before the alert is set.
- **Travel Deviation Deadband**—Travel Deviation Deadband (TVL\_DEV\_DB [77.3]) is the travel in percent threshold (%) of ranged travel required to clear a Travel Deviation alert, once it has been set. See figure 4-2.

Figure 4-2. Travel Hi Alert Deadband

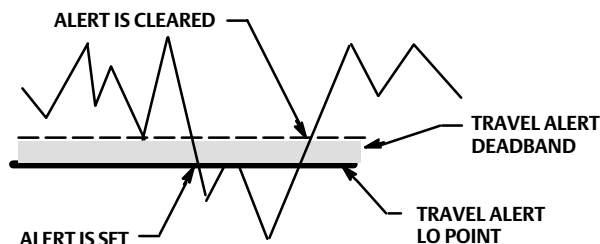


A6532

### Travel Limit

- **Travel Hi Hi Alert**—This alert is active if the Travel exceeds the Travel Hi Hi Alert point.
- **Travel Hi Hi Alert Enable**—When enabled Travel Hi Hi Alert Enable activates the Travel Hi Hi Alert.
- **Travel Hi Hi Alert Point**—Travel Hi Hi Alert Point (TVL\_HI\_HI\_ALRT\_PT [77.18]) is the value of the travel, in percent (%) of ranged travel, which, when exceeded, sets the Travel Alert Hi Hi alert.
- **Travel Hi Hi Deadband**—Travel Hi Hi Deadband (TVL\_HI\_HI\_DB [77.19]) is the travel, in percent (%) of ranged travel, required to clear a Travel Hi Hi alert, once it has been set. See figure 4-2.
- **Travel Lo Lo Alert**—This alert is active if the Travel is lower than the Travel Lo Lo Alert point.
- **Travel Lo Lo Alert Enable**—When enabled Travel Lo Lo Alert Enable activates the Travel Lo Lo Alert.
- **Travel Lo Lo Alert Point**—The Travel Lo Lo alert is set when the value of the travel, in percent (%) of ranged travel, goes below the Travel Lo Lo Alert Point (TVL\_LO\_LO\_ALRT\_PT [77.12]).
- **Travel Lo Lo Deadband**—Travel Lo Lo Deadband (TVL\_LO\_LO\_DB [77.13]) is the travel, in percent (%) of ranged travel, required to clear a Travel Lo Lo alert once it has been set. See figure 4-3.

Figure 4-3. Travel Lo Alert Deadband



A6532-1

### Travel Hi/Lo

- Travel Hi Alert—This alert is active if the Travel exceeds the Travel Hi Alert point.
- Travel Hi Alert Enable—When enabled Travel Hi Alert Enable activates the Travel Hi Alert.
- Travel Hi Alert Point—Travel Hi Alert is set if the ranged travel rises above the Travel Hi Alert Point (TVL\_HI\_ALRT\_PT [77.16]). Once the alert is set, the ranged travel must fall below the alert high point set by the Travel Hi Deadband before the alert is cleared. See figure 4-2.
- Travel Hi Deadband—Travel Hi Deadband (TVL\_HI\_DB [77.17]) is the travel, in percent (%) of ranged travel, required to clear a Travel Hi Alert, once it has been set. See figure 4-2.
- Travel Lo Alert—This alert is active if the Travel is lower than the Travel Lo Alert point.
- Travel Lo Alert Enable—When enabled Travel Lo Alert Enable activates the Travel Lo alert.
- Travel Lo Alert Point—The Travel Alert Lo alert is set when the value of the travel, in percent (%) of ranged travel, goes below the Travel Lo Alert Point (TVL\_LO\_ALRT\_PT [77.14]).
- Travel Lo Deadband—Travel Lo Deadband (TVL\_LO\_DB [77.15]) is the travel, in percent (%) of ranged travel, required to clear a travel lo alert, once it has been set. See figure 4-3.

### Proximity Alerts

Field Communicator	TB > Configure/Setup > Detailed Setup > Alerts > Prox Alerts
--------------------	--

#### Note

See page 179 for additional details on using Proximity detection.

### Travel

Travel displays the actual position of the valve in percent (%) of calibrated travel.

### Travel Open

- Travel Open Alert—This alert is active if the Travel is greater than the Travel Open Alert Point.
- Travel Open Alert Enable—When enabled Travel Open Alert Enable activates the Travel Open Alert.
- Travel Open Alert Point—Travel Open Alert Point (TVL\_OPEN\_ALRT\_PT [77.8]) is the value of the travel in percent (%) or ranged travel, which, when exceeded, sets the Travel Open Alert.
- Travel Open Deadband—Travel Open Deadband (TVL\_OPEN\_DB [77.9]) is the travel in percent (%) of ranged travel required to clear a Travel Open alert, once it has been set.

### Travel Closed

This alert is active if the Travel is lower than the Travel Closed Alert Point.

- Travel Closed Alert—This alert is active is the Travel goes below the Travel Closed Alert Point.
- Travel Closed Alert Enable—When enabled Travel Closed Alert Enable activates the Travel Closed Alert.
- Travel Closed Alert Point—The Travel Closed Alert is set when the value of the travel, in percent (%) of ranged travel, goes below the Travel Closed Alert Point (TVL\_CLOSED\_ALRT\_PT [77.10]).
- Travel Closed Deadband—Travel Closed Deadband (TVL\_CLOSED\_DB [77.11]) is the travel in percent (%) of ranged travel required to clear a Travel Closed alert, once it has been set.

### Proximity

- Proximity Hi Hi Alert—This alert is active if the Travel is within the detection band set by the Travel Hi Hi Alert Point and the Travel Hi Hi Deadband.
- Proximity Hi Hi Alert Enable—When enabled Proximity Hi Hi Alert Enable activates the Proximity Hi Hi Alert.
- Proximity Hi Alert—This alert is active if the Travel is within the detection band set by the Travel Hi Alert Point and the Travel Hi Deadband.
- Proximity Hi Alert Enable—When enabled Proximity Hi Alert Enable activates the Proximity Hi Alert.
- Proximity Lo Alert—This alert is active if the Travel is within the detection band set by the Travel Lo Alert Point and the Travel Lo Deadband.
- Proximity Lo Alert Enable—When enabled Proximity Lo Alert Enable activates the Proximity Lo Alert.
- Proximity Lo Lo Alert—This alert is active if the Travel is within the detection band set by the Travel Lo Lo Alert Point and the Travel Lo Lo Deadband.
- Proximity Lo Lo Alert Enable—When enabled Proximity Lo Lo Alert Enable activates the Proximity Lo Lo Alert.

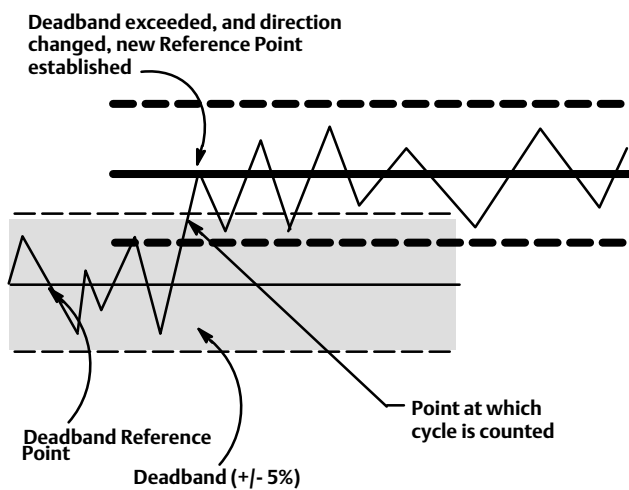
## Travel History Alerts

Field Communicator	TB > Configure/Setup > Detailed Setup > Alerts > Travel History Alerts
--------------------	--

### Cycle Counter

- **Cycle Counter**—The Cycle Counter (CYCLE\_COUNT [73]) records the number of times the travel changes direction. The change in direction must occur after the deadband has been exceeded before it can be counted as a cycle. See figure 4-4. You can reset the Cycle Counter by configuring it as zero.

Figure 4-4. Cycle Counter Deadband (set at 10%)



A6533-1

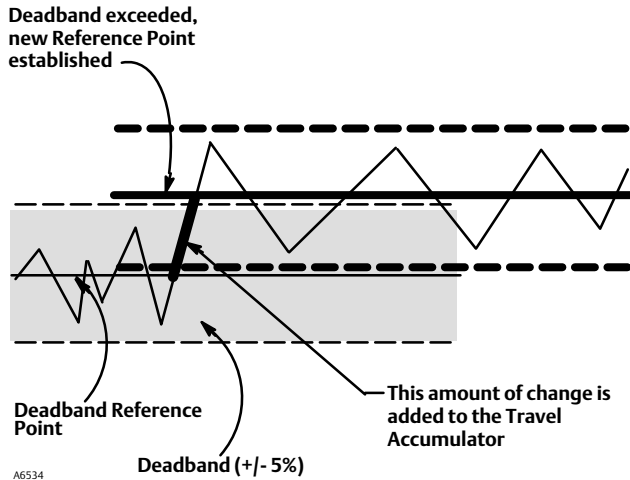
- **Cycle Counter Alert**—This alert is active if the Cycle Counter exceeds the Cycle Counter Alert Point. It is cleared after you reset the Cycle Counter to a value less than the alert point.
- **Cycle Counter Alert Enable**—When enabled Cycle Counter Alert Enable activates checking of the difference between the Cycle Counter and the Cycle Counter Alert point.
- **Cycle Counter Alert Point**—Cycle Counter Alert Point (CYCLE\_COUNT\_ALRT\_PT [77.6]) is the value of the Cycle Counter, in cycles, which, when exceeded, sets the Cycle Counter Alert.
- **Cycle Counter Deadband**—Cycle Counter Deadband (CYCLE\_COUNT\_DB [77.7]) is the area around the travel reference point, in percent (%) of ranged travel, that was established at the last increment of the Cycle Counter. This area must be exceeded before a change in travel direction can be counted as a cycle. See figure 4-4.

### Travel Accumulator

- **Travel Accumulator**—Travel Accumulator (TRAVEL\_ACCUM [72]) records the total change in travel, in percent (%) of ranged travel, since the accumulator was last cleared. The value of the Travel Accumulator increments when the magnitude of the change exceeds the Travel Accumulator Dead-band. See figure 4-5. You can reset the Travel Accumulator by configuring it to zero.



Figure 4-5. Travel Accumulator Deadband (set at 10%)



- **Travel Accumulator Alert**—This alert is active if the Travel Accumulator exceeds the Travel Accumulator Alert Point. The Travel Accumulator Alert is set when the Travel Accumulator value exceeds the Travel Accumulator Alert Point. It is cleared after you reset the Travel Accumulation to a value less than the alert point.
- **Travel Accumulator Alert Enable**—When enabled Travel Accumulator Alert Enable activates checking of the difference between the Travel Accumulator value and the Travel Accumulator Alert Point.
- **Travel Accumulator Alert Point**—Travel Accumulator Alert Point (TVL\_ACCUM\_ALRT\_PT [77.4]) is the value of the Travel Accumulator, in percent (%) of ranged travel, which, when exceeded, sets the Travel Accumulator Alert.
- **Travel Accumulator Deadband**—Travel Accumulator Deadband (TVL\_ACCUM\_DB [77.5]) is the area around the travel reference point, in percent (%) of ranged travel, that was established at the last increment of the accumulator. This area must be exceeded before a change in travel can be accumulated. See figure 4-5.

## Performance Alerts

Field Communicator	TB > Configure/Setup > Detailed Setup > Alerts > Performance Alerts
--------------------	---

### Note

Performance Alerts are only available with a PD tier instrument. Additionally, for the PD alerts to function properly:

- The transducer block mode must not be out of service.
- The travel/pressure control state must be in travel control mode, and
- Bench Set Hi, Bench Set Lo, and Nominal Supply Pressure must be set in the Spec Sheets, then enable the Performance Information instrument alert (PERF\_ENABLE [75.7]).

## PD Inside Status

PD Inside Status shows the status of Performance Diagnostics.

## PD Run

PD Run enables or disables Performance Diagnostics in the instrument (PD Inside). Selecting PD Off disables PD Inside. Selecting PD On enables PD Inside.

## Performance Critical

- Performance Critical Alert—This alert is active if the instrument is no longer able to control the valve or performance has been dramatically reduced.
- Performance Critical Alert Enable—When enabled Performance Critical Alert Enable activates the Performance Critical Alert.

## Performance Reduced

- Performance Reduced Alert—This alert is active if the instrument has detected a reduction in performance.
- Performance Reduced Alert Enable—When enabled Performance Reduced Alert Enable activates the Performance Reduced Alert.

## Performance Information

- Performance Information Alert—This alert is active if the instrument has detected a condition that may pertain to control performance.
- Performance Information Alert Enable—When enabled Performance Information Alert Enable activates the Performance Information Alert.

## PlantWeb Alert Enable

Field Communicator	TB > Configure/Setup > Detailed Setup > Alerts > PlantWeb Alert Enable
--------------------	--

- Failed Enable—Failed Enable (FAILED\_ENABLE [62]) enables or disables conditions that can cause a failed alert. A failed alert indicates a failure within the device that will make the device or some part of the device non-operational. Table C-2 lists the available PlantWeb alerts.
- Maintenance Enable—Maintenance Enable (MAINT\_ENABLE [63]) enables or disables conditions that can cause a maintenance alert. A maintenance alert indicates the device or some part of the device needs maintenance soon. Table C-2 lists the available PlantWeb alerts.
- Advise Enable—Advise Enable (ADVISE\_ENABLE [64]) enables or disables conditions that can cause an advisory alert. An advisory alert indicates informative conditions that do not have a direct impact on the device's primary functions. Table C-2 lists the available PlantWeb alerts.

## PlantWeb Alert Reporting

Field Communicator	TB > Configure/Setup > Detailed Setup > Alerts > PlantWeb Alert Reporting
--------------------	---

- Failed Suppress—Failed Suppress (FAILED\_MASK [65]) determines which of the failed alert conditions are suppressed so that they are not reported. Even if reporting is suppressed, the bit in Failed Active (FAILED\_ACTIVE [59]) is still set.
- Maintenance Suppress—Maintenance Suppress (MAINT\_MASK [66]) determines which of the maintenance alert conditions are suppressed so that they are not reported. Even if reporting is suppressed, the bit in Maintenance Active (MAINT\_ACTIVE [60]) is still set.

- Advise Suppress—Advise Suppress (ADVISE\_MASK [67]) determines which of the advise alert conditions are suppressed so that they are not reported. Even if reporting is suppressed, the bit in Advise Active (ADVISE\_ACTIVE [61]) is still set.

## Instrument

Field Communicator	TB > Configure/Setup > Detailed Setup > Instrument
--------------------	--

- Tag Description—The Tag Description (TAG\_DESC [2]) is a 32 character description used to assign a unique description to each block within the digital valve controller to describe the intended application for the block.
- Pressure Units—Define the output and supply pressure units (PRESSURE\_UNITS [90]) in either psi, bar, or kPa.
- Temperature Units—Enter the temperature units (TEMPERATURE\_UNITS [89]) in degrees Fahrenheit or Celsius. The temperature is measured from a sensor mounted on the digital valve controller's printed wiring board.
- Travel Units—Define the units for valve travel (TVL\_UNITS [91]) in inches, centimeters, millimeters or degrees.
- Length Units—Define the units for valve dimensions (LENGTH\_UNITS [92]) in inches, centimeters, or millimeters.
- Area Units—Define the units for actuator area (AREA\_UNITS [93]) in inches<sup>2</sup>, centimeter<sup>2</sup> or millimeter<sup>2</sup>.
- Spring Rate Units—Define the units for actuator spring rate (SPRING\_RATE\_UNITS [94]) in lbs/in<sup>2</sup> or N/M.
- Relay Type—Enter the Relay Type (RELAY\_TYPE [42.5]). There are three categories of relays that result in combinations from which to select.
  - Relay Type:* The relay type is printed on the label affixed to the relay body:
    - A = double-acting or single acting
    - B = single-acting, reverse
    - C = single-acting, direct
  - Lo Bleed:* The label affixed to the relay body indicates it is a low bleed version.
- Zero Power Condition—Zero Power Condition (ZERO\_PWR\_COND [42.2]) identifies whether the valve is open or closed when instrument power is lost. If you are unsure how to set this parameter, disconnect the segment loop power to the instrument. The resulting valve travel is the Zero Power Condition.
- Maximum Supply Pressure—Enter the maximum supply pressure (MAX\_SUPP\_PRESS [42.6]) in psi, bar, or kPa, depending on what was selected for pressure units.
- Calibration Person—Name of the person performing last calibration (XD\_CAL\_WHO [31]).
- Calibration Location—Indicates the location of the last instrument calibration (XD\_CAL\_LOC [29]).
- Calibration Date—Enter a date with the format MM/DD/YY. Date is a user-defined variable that provides a place to save the date of the last calibration (XD\_CAL\_DATE [30]).
- Last Calibration Type—Indicates the type of the last calibration performed on the instrument. Possible values are: Not Calibrated, Single Point Calibration, Auto Calibration, Manual Calibration.

## Valve and Actuator

Field Communicator	TB > Configure/Setup > Detailed Setup > Valve and Actuator
--------------------	--

### Valve

- Valve Manufacturer—Enter the identification number of the manufacturer of the valve (VALVE\_MAN\_ID [25]) on which the instrument is mounted. Select from the drop-down list or enter the manufacturer's identification number as defined by the Fieldbus Foundation. For Fisher, the manufacturer ID hex value is 005100.
- Valve Model Number—Enter the valve model number (VALVE\_MODEL\_NUM [26]), (design letter or type number) for the valve on which the instrument is mounted.
- Valve Serial Number—Enter the serial number of the valve (VALVE\_SN [27]) on which the instrument is mounted.
- Valve Style—Enter the type of valve (VALVE\_TYPE [28]), sliding-stem or rotary, on which the instrument is mounted.
- Valve Size—Enter the size of the valve (VALVE\_SIZE [83.1]) on which the instrument is mounted.
- Valve Class—Enter the valve pressure class rating (VALVE\_CLASS [83.2]).
- Rated Travel—Enter the valve rated travel (RATEDTRAVEL [83.3]) in inches or mm for sliding-stem valves, or in degrees of rotation for rotary valves.
- Actual Travel—Enter the actual travel (ACTUAL\_TRAVEL [83.4]) in inches or mm for sliding-stem valves, or in degrees of rotation for rotary valves.
- Shaft Stem Diameter—Enter the valve stem diameter (SHAFT\_STEM\_DIA [83.5]) in inches or millimeters.
- Packing Type—Enter the valve packing construction (PACKING\_TYPE [83.6]).
- Inlet Pressure—Enter the valve inlet pressure (INLET\_PRESSURE [83.7]).
- Outlet Pressure—Enter the valve outlet pressure (OUTLET\_PRESSURE [83.8]) in psig, kPa, Bar, inHg, inH<sub>2</sub>O, or kg/cm<sup>2</sup>.

### Trim

- Seat Type—Enter the valve seat type (SEAT\_TYPE [84.1]).
- Leak Class—Enter the valve leak class (LEAK\_CLASS [84.2]).
- Port Diameter—Enter the valve port diameter (PORT\_DIAMETER [84.3]) in inches or mm.
- Port Type—Enter the valve port type (PORT\_TYPE [84.4]).
- Flow Direction—Enter the flow direction (FLOWDIRECTION [84.5]) through the valve.
- Push Down To—Enter the effect on valve movement when the stem is moved down (PUSH\_DOWN\_TO [84.6]).
- Flow Tends To—Enter the effect on valve travel with increasing flow (FLOW\_TENDS\_TO [84.7]).
- Unbalanced Area—Enter the valve unbalanced area (UNBALANCED\_AREA [84.8]) in in<sup>2</sup> or mm<sup>2</sup>.

Actuator

- Actuator Manufacturer—Enter the manufacturer's identification number (ACT\_MAN\_ID [22]) of the actuator on which the instrument is mounted. Select from the drop-down list or enter the manufacturer's identification number as defined by the Fieldbus Foundation. For Fisher, the manufacturer ID hex value is 005100.
- Actuator Model Number—Enter the type number for the actuator (ACT\_MODEL\_NUM [23]) on which the instrument is mounted.
- Actuator Style—Select the Actuator Style (ACTUATOR\_STYLE [42.1]), spring & diaphragm, piston double-acting without spring, piston single-acting with spring, or piston double-acting with spring.
- Actuator Serial Number—Enter the serial number (ACT\_SN [24]) for the actuator on which the instrument is mounted.
- Actuator Size—Enter the size of the actuator (ACTUATOR\_SIZE [85.1]) on which the instrument is mounted.
- Actuator Fail Action—Sets actuator action to be performed upon loss of actuator air pressure (ACT\_FAIL\_ACTION [21]).
- View / Edit Feedback Connection—Refer to table 4-10 for Feedback Connection options. Choose the assembly that matches the actuator travel range.

Note

As a general rule, do not use less than 60% of the magnet assembly travel range for full travel measurement. Performance will decrease as the assembly is increasingly subranged.

The linear magnet assemblies have a valid travel range indicated by arrows molded into the piece. This means that the hall sensor (on the back of the DVC6200f housing) has to remain within this range throughout the entire valve travel. The linear magnet assemblies are symmetrical. Either end may be up.

Table 4-10. Feedback Connection Options

Magnet Assembly	Travel Range		
	mm	Inch	Degrees
SStem #7	4.2-7	0.17-0.28	-
SStem #19	8-19	0.32-0.75	-
SStem #25	20-25	0.76-1.00	-
SStem #38	26-38	1.01-1.50	-
SStem #50	39-50	1.51-2.00	-
SStem #110	51-110	2.01-4.125	-
SStem #210	110-210	4.125-8.25	-
SStem #1 Roller	> 210	> 8.25	60-90°
RShaft Window #1	-	-	60-90°
RShaft Window #2	-	-	60-90°
RShaft End Mount	-	-	60-90°

- Travel Sensor Motion

**⚠ WARNING**

If you answer YES to the prompt for permission to move the valve when setting the Travel Sensor Motion, the instrument will move the valve through its full travel range. To avoid personal injury and property damage caused by the release of

---

**pressure or process fluid, isolate the valve from the process and equalize pressure on both sides of the valve or bleed off the process fluid.**

---

Travel Sensor Motion (TRAVEL\_SEN\_MOTION [42.3]) establishes the proper valve travel sensor (feedback) rotation/movement. For quarter-turn actuators determine rotation by viewing the rotation of the magnet assembly from the back of the instrument.

---

#### Note

Travel Sensor Motion in this instance refers to the motion of the magnet assembly. Note that the magnet assembly may be referred to as a magnetic array in user interface tools.

---

**For instruments with relay A or C** If increasing air pressure at output A causes the magnet assembly to move up, or the actuator shaft to rotate counterclockwise, enter “Towards Top of Instrument/CCW.” If it causes the magnet assembly to move down, or the actuator shaft to rotate clockwise, enter “Away From Top of Instrument/CW.” For instruments with relay B.

**For instruments with relay B** If decreasing air pressure at output B causes the magnet assembly to move up, or the actuator shaft to rotate counterclockwise, enter “Towards Top of Instrument/CCW.” If it causes the magnet assembly to move down, or the actuator shaft to rotate clockwise, enter “Away From Top of Instrument/CW.”

- Lever Style—Enter the lever style (LEVER\_STYLE [85.10]) for rotary actuators as either Pivot Point or Rack and Pinion.
- Lever Arm Length—Defines the lever arm length (MOMENT\_ARM [85.11]) for rotary actuators.
- Effective Area—Enter the actuator effective area (EFFECTIVE\_AREA [85.2]) in in<sup>2</sup>, cm<sup>2</sup>, or mm<sup>2</sup>.
- Air—Select Opens or Closes, indicating the effect of increasing air pressure (AIR [85.3]) on the valve travel.
- Upper Bench Set—Enter the upper actuator operating pressure (UPPER\_BENCH\_SET [85.5]).
- Lower Bench Set—Enter the lower actuator operating pressure (LOWER\_BENCH SET [85.4]).
- Nominal Supply Pressure—Enter the nominal instrument supply pressure (NOMINAL\_SUPPLY PRESSURE [85.6]).
- Spring Rate—Enter the actuator spring rate (SPRING\_RATE [85.7]) in lbs•in or N•m.

#### Reference

- Trim Style 1—Enter the valve trim style (TRIM\_STYLE\_1 [84.9]).
- Trim Style 2—Enter the valve trim style (TRIM\_STYLE\_2 [84.10]).
- Stroking Time Open—Enter the time required to stroke the valve from closed to open (STROKING\_TIME\_OPEN [85.8]).
- Stroking Time Close—Enter the time required to stroke the valve from open to close (STROKING\_TIME\_CLOSE [85.9]).

Table 4-11. Output Block PV Status

FEATURE_SEL PW Alarms Set PV Status	Transducer Mode, Actual	Active PlantWeb Alarms	AO / DO PV Status(2)	AO / DO PV Substatus	AO/DO PV Limit Substatus(1)
Enabled	OOS	X	Bad	Device Failure	Constant
	Man	X	Bad	Non-specific	Constant
	Auto	Fail	Uncertain	Subnormal	See table 4-12
	Auto	Maintenance, no Fail	Uncertain	Non-specific	See table 4-12
	Auto	Advisory, no Fail, no Maintenance	Good	Advisory	See table 4-12
	Auto	None	Good	Non-Specific	See table 4-12
Not Enabled	OOS	X	Bad	Device Failure	Constant
	Man	X	Bad	Non-Specific	Constant
	Auto	Fail	Good	Non-Specific	See table 4-12
	Auto	Maintenance, no Fail	Good	Non-Specific	See table 4-12
	Auto	Advisory, no Fail, no Maintenance	Good	Non-Specific	See table 4-12
	Auto	None	Good	Non-Specific	See table 4-12

NOTES:  
X = No Effect  
1. PV limit substatus reflects only READBACK limit substatus. SP limit substatus reflects only out block rate limits.  
2. Firmware Revision 1.1 and earlier will set AO/DO PV Status to Bad if Feedback Sensor has failed, i.e.; Travel Sensor Fail. However, if the Travel Sensor fails, and the instrument falls back to pressure, PV Status will remain good.

## MAI Channel Map

Field Communicator	TB > Configure/Setup > Detailed Setup > MAI Channel Map
--------------------	---

Allows the user to specify which transducer block parameter is available through each of the MAI Block channels (MAI\_CHANNEL\_1 through MAI\_CHANNEL\_8 [95.1 through 95.8]). Transducer block parameters available to each channel:

- |                          |                       |
|--------------------------|-----------------------|
| 1 = FINAL_VALUE          | 8 = ACT_PRESS_DIFF    |
| 2 = TRAVEL_TARGET        | 9 = DRIVE_SIGNAL      |
| 3 = FINAL_POSITION_VALUE | 10 = TRAVEL_DEVIATION |
| 4 = TRAVEL               | 11 = TEMPERATURE      |
| 5 = SUPPLY_PRESS         | 12 = CYCLE_COUNT      |
| 6 = ACT_PRESS_A          | 13 = TRAVEL_ACCUM     |
| 7 = ACT_PRESS_B          |                       |

Table 4-12. Limit Sub Status

Out Block	Transducer Mode	In Cutoff Region	Rate Limited	Limit Sub-Status
AO, DO	OOS	X	X	Constant
AO, DO	MAN	X	X	Constant
AO	AUTO	High	X	High Limited
AO	AUTO	Low	X	Low Limited
AO	AUTO	X	High	High Limited
AO	AUTO	X	Low	Low Limited
AO	AUTO	None	None	Not Limited
DO	AUTO	X	High	High Limited
DO	AUTO	X	Low	Low Limited
DO	AUTO	X	None	Not Limited

NOTE: X = No Effect

## Alert Handling

Field Communicator	TB > Configure/Setup > Detailed Setup > Alert Handling
--------------------	--

### PlantWeb Alert Simulate

When enabled, PlantWeb Alert Simulate (PWA\_SIMULATE [39]) allows the user to write to the following PlantWeb and Instrument alert parameters; Failed Active, Maintenance Active, Advise Active, Environment Active, Travel Active, Proximity Active, Travel History Active, Performance Active, PD Event Active, PD Detail 1 Active, PD Detail 2 Active, PD Detail 3 Active, PD Detail 4 Active, PD Detail 5 Active, PD Detail 6 Active. This provides a way to simulate these alerts for testing. In order to enable PWA Simulate, the Aux Terminal must be jumpered.

PlantWeb Alert Simulate is cleared on a power cycle. It can also be cleared manually, or by removing the Aux terminal jumper.

### Simulate Active Alerts

- Failed Active—Permits simulating an active Failed alarm (FAILED\_ACTIVE [59]).
- Maintenance Active—Permits simulating an active Maintenance alarm (MAINT\_ACTIVE [60]).
- Advise Active—Permits simulating an active Advisory alarm (ADVISE\_ACTIVE [61]).

### PlantWeb Alert Handling

- PlantWeb Alerts Set PV Status—When selected, PlantWeb alerts will set the PV status according to table 4-11.
- Block Error Reporting—When enabled, the AO or DO BLOCK\_ERR [6] parameter will report PlantWeb Alerts. the same as Block Error in the resource block.

Block Error bit 6 (Device Needs Maintenance Soon) will report any active PlantWeb Maintenance Alert.

Block Error bit 13 (Device Needs Maintenance Now) will report any active PlantWeb Failed Alert.

## Block Errors

Table 4-13 lists conditions reported in the BLOCK\_ERR [6] and XD\_ERR [11] parameters. Conditions in *italics* are not applicable for the transducer block and are provided only for your reference.

Table 4-13. Transducer Block BLOCK\_ERR and XD\_ERROR Conditions

Condition Number	Condition Name and Description
0	<i>Other - (N/A)</i>
1	Block Configuration Error - Indicates that one of the following parameters have been configured out of the proper range: 15, 16, 47.1, 47.2, 46.3, 46.5, 42.7, 42.8.
2	<i>Link Configuration Error - (N/A)</i>
3	Simulate Active - Indicates that the simulation jumper is in place on the aux terminals. This is not an indication that the I/O blocks are using simulation data. See AO block parameter SIMULATE [10] and DO block parameter SIMULATE_D [10].
4	<i>Local Override - (N/A)</i>
5	<i>Device Fault State - (NA)</i>
6	<i>Maintenance Needed Soon - (N/A)</i>
7	<i>Input failure/process variable has Bad status - (N/A)</i>
8	<i>Output failure - (N/A)</i>
9	<i>Memory failure - (N/A)</i>
10	Lost Static Data - Indicates that manufacturing functional or thermal tests were incomplete
11	<i>Lost NV Data - (N/A)</i>
12	<i>Readback Check Failed - (N/A)</i>
13	Device Needs Maintenance Now - Indicates that manufacturing functional or thermal tests were incomplete
14	<i>Power Up - (N/A)</i>
15	Out of Service - Indicates Out of Service Mode.



## Transducer Block Parameter List

- Read/Write Capability: RO - Read Only, RW - Read Write
- Mode: The block mode(s) required to write to the parameter
- Protection Category: Indicates whether or not the parameter is writable while the PROTECTION parameter is set to a particular level.
  - N/A indicates a read-only parameter that is never writable, regardless of the value of the PROTECTION parameter
  - NONE indicates a read-only parameter that is always writable, regardless of the value of the PROTECTION parameter
  - CAL indicates a parameter that is only writable while the value of the PROTECTION parameter is "NONE".
  - SETUP indicates a parameter that is only writable while the value of the PROTECTION parameter is "NONE" or "CAL".
  - ALL indicates a parameter that is writable while the value of the PROTECTION parameter is "NONE", "CAL", or "SETUP & CAL".
- Double indentation and shaded Index Number indicates sub-parameter

Table 4-14. Transducer Block Parameter Definitions

Label PARAMETER_NAME	Index Number	RO / RW	Mode	Range	Initial Value	Protect Category	Description
Static Revision ST_REV	1	RO	N/A	0 to 65535	N/A	N/A	Data Type: Uint16 The revision level of the static data. Increments by one each time a static parameter is written. The value is reset to 0 whenever a Restart with Defaults is performed. See Restarting the Instrument.
Tag Description TAG_DESC	2	RW	ALL		NULL	SETUP	Data Type: String The description of the block.
Strategy STRATEGY	3	RW	ALL	0 to 65535	0	SETUP	Data Type: Uint16 Used to help group blocks.
Alert Key ALERT_KEY	4	RW	ALL	1 to 255	1	SETUP	Data Type: Uint8 The identification number of the plant unit. Devices in a loop or plant section can be assigned with a common alert key to aid the operator in determining location of alerts.
Block Mode MODE_BLK	5						Data Type: DS-69 The actual, target, permitted, and normal modes. Target: The requested block mode Actual: The current mode of the block Permitted: Allowed modes for Target Normal: Most common mode for Target
	5.1	RW	ALL	3: AUTO 4: MANUAL 7: OOS	7: OOS	NONE	
TARGET					N/A	N/A	
ACTUAL	5.2	RO	N/A				
PERMITTED	5.3	RW	ALL		3:AUTO 4:MANUAL 7: OOS	NONE	
NORMAL	5.4	RW	ALL		3:AUTO	NONE	
Block Error BLOCK_ERR	6	RO	N/A	3: Simulate Active 10: Static Memory Failed (Functional or thermal data missing) 13: Maintenance Needed Now (Functional or thermal data missing) 15: Out-of-Service	N/A	N/A	Data Type: Bit String (2 byte) Error status associated with hardware or firmware for the transducer block.

-Continued-

Table 4-14. Transducer Block Parameter Definitions (Continued)

Label PARAMETER_NAME	Index Number	RO / RW	Mode	Range	Initial Value	Protect Category	Description
Update Event UPDATE_EVT	7						
UNACKNOWLEDGED	7.1	RW	ALL	0=Undefined 1=Acknowledged 2=Unacknowledged	0	NONE	Data Type: DS-73 Alert generated by change to static data.
UPDATE_STATE	7.2	RO	N/A	0=Undefined 1=Updated reported 2=Update Not reported	0	N/A	
TIME_STAMP	7.3	RO	N/A		0	N/A	
STATIC_REVISION	7.4	RO	N/A		0	N/A	
RELATIVE_INDEX	7.5	RO	N/A		0	N/A	
Block Alarm BLOCK_ALM	8						
UNACKNOWLEDGED	8.1	RW	ALL	0=Undefined 1=Acknowledged 2=Unacknowledged	0	NONE	Data Type: DS-72 Used to report the BLOCK_ERR alarm to the host system
ALARM_STATE	8.2	RO	N/A	0=Undefined 1=Clear-reported 2=Clear-not reported 3=Active-reported 4=Active-not reported	0	N/A	
TIME_STAMP	8.3	RO	N/A		0	N/A	
SUBCODE	8.4	RO	N/A	Subcode: Bit Number in BLOCK_ERR	0	N/A	
VALUE	8.5	RO	N/A	Value of parameter at alarm time for a single alarm, 0 for multiple alarms	0	N/A	
Transducer Directory TRANSDUCER_DIRECTORY	9	RO	N/A	1,1	1,1	N/A	Data Type: Array [2] of Unit16 Not used
Transducer Type TRANSDUCER_TYPE	10	RO		106	106	N/A	Data Type: Uint16 Identifies the type of the transducer.
Transducer Error XD_ERROR or TDC_ERROR	11	RO		Valid Numbers: 0 = No Error	0	N/A	Data Type: Uint8 Error code for the transducer block.
Collection Directory COLLECTION_DIRECTORY	12	RO		1,1,1,1,1	1,1,1,1,1	N/A	Data Type: Array [5] of Unit32 Not used
FINAL_VALUE	13						
Setpoint Status STATUS	13.1	RW	MAN OOS		N/A	NONE	Data Type: DS-65 <b>In Travel Control:</b> Setpoint for valve travel in %, prior to characterization. <b>In Pressure Control:</b> Setpoint for implied valve travel as % or pressure range, prior to characterization. FINAL_VALUE is not updated unless the AO block is selected in FEATURE_SELECT. For example, FINAL_VALUE still has last value written by AO channel 1 when DO is in control.
Setpoint VALUE	13.2	RW	MAN OOS	-25 to 125	N/A	NONE	
Setpoint Range FINAL_VALUE_RANGE	14						
EU_100	14.1	RO	N/A	100	100	N/A	Data Type: DS-68 High and Low range limit values, engineering units code, and number of digits to the right of the decimal place to be used to display the Final Value.
EU_0	14.2	RO	N/A	0	0	N/A	
UNITS_INDEX	14.3	RO	N/A	PERCENT	1342	N/A	
DECIMAL	14.4	RO	N/A	2	2	N/A	

-Continued-

Table 4-14. Transducer Block Parameter Definitions (Continued)

Label PARAMETER_NAME	Index Number	RO / RW	Mode	Range	Initial Value	Protect Category	Description
Travel Cutoff Hi FINAL_VALUE_CUTOFF_HI	15	RW	MAN OOS	-25 to 125	99.5	SETUP	Data Type: Float When the servo goes above this % of span, the stem position goes to the upper limit. Cutoffs are OFF when Low is at -25% and high is at +125%. Must be > low cutoff + .625%.
Travel Cutoff Lo FINAL_VALUE_CUTOFF_LO	16	RW	MAN OOS	-25 to 125	0.5	SETUP	Data Type: Float When the servo goes below this % of span, the stem position goes to the lower limit. Cutoffs are OFF when Low is at -25% and high is at +125%. Must be < hi cutoff - .625%.
FINAL_POSITION_VALUE	17						Data Type: DS-65 <b>In Travel Control:</b> Valve travel in %, decharacterized to correlate with Setpoint (FINAL_VALUE [13]). <b>In Pressure Control:</b> Implied valve travel as a % of pressure range, decharacterized to correlate with Setpoint (FINAL_VALUE [13]). Controls AI channel 3.
Travel Status (Decharacterized) STATUS	17.1	RO	N/A		N/A	N/A	
Travel (Decharacterized) VALUE	17.2	RO	N/A	-25 to 125%		N/A	
Travel Proportional Gain SERVO_GAIN	18	RW	MAN OOS	> = 0	4.4	SETUP	Data Type: Float Travel Control Only. Gain of servo.
Travel Integral Gain SERVO_RESET	19	RW	MAN OOS	> = 0 , = 0 causes wind down	9.4	SETUP	Data Type: Float Travel Control Only. If set to 0, will cause integrator to wind down.
Travel Velocity Gain SERVO_RATE	20	RW	MAN OOS	> = 0	3.0	SETUP	Data Type: Float Travel Control Only. Rate of servo.
Actuator Fail Action ACT_FAIL_ACTION	21	RW	MAN OOS	0=Uninitialized 1=Self Closing 2=Self Opening	1= Self Closing	SETUP	Data Type: Enum (UInt8) Action performed by actuator in the event of air pressure.
Actuator Manufacturer ACT_MAN_ID	22	RW	ALL		0x5100	SETUP	Data Type: UInt32 The actuator manufacturer identification number.
Actuator Model Number ACT_MODEL_NUM	23	RW	ALL		Null	SETUP	Data Type: Visible String Model number of actuator.
Actuator Serial Number ACT_SN	24	RW	ALL		Null	SETUP	Data Type: Visible String Serial number of actuator.
Valve Manufacturer VALVE_MAN_ID	25	RW	ALL		0x5100	SETUP	Data Type: UInt32 The valve manufacturer identification number.
Valve Model Number VALVE_MODEL_NUM	26	RW	ALL		Null	SETUP	Data Type: Visible String The valve model number.
Valve Serial Number VALVE_SN	27	RW	ALL		Null	SETUP	Data Type: Visible String The valve serial number.
Valve Style VALVE_TYPE	28	RW	ALL	1=sliding-stem 2=Rotary	1=sliding-stem	SETUP	Data Type: Enum (UInt8) Selects Rotary or sliding-stem.
Calibration Location XD_CAL_LOC	29	RW	ALL		Null	CAL	Data Type: Visible String Where device was last calibrated.
Calibration Date XD_CAL_DATE	30	RW	ALL		Uninitialized	CAL	Data Type: Date Date of last calibration.
Calibration Person XD_CAL_WHO	31	RW	ALL		Null	CAL	Data Type: Visible String Name of person performing last calibration.

-Continued-

Table 4-14. Transducer Block Parameter Definitions (Continued)

Label PARAMETER_NAME	Index Number	RO / RW	Mode	Range	Initial Value	Protect Category	Description
SETPOINT_D	32						Data Type: DS_66 SETPOINT_D is not updated unless the DO block is selected in FEATURE_SEL.
Setpoint(D) Status STATUS	32.1	RW	MAN OOS			NONE	STATUS indicates the validity of value, set by the DO block OUT.STATUS
Setpoint(D) VALUE	32.2	RW	MAN OOS	0 = closed 1 = open 5,10,15.. = %		NONE	VALUE is the discrete value of setpoint. Only values of 0, 1, or increments of 5 up to 95 are allowed. Written by DO channel 22.
TRAVEL_D	33						Data Type: DS_66 STATUS indicates the validity of VALUE.
Travel(D) Status STATUS	33.1	RO	N/A			N/A	VALUE: 0=closed , 1=open
Travel (D) VALUE	33.2	RO	N/A	0 = closed 1 = open 5,10,15.. = %		N/A	5,10,15.. = %. Controls DI Channel 23
TRAVEL	34						Data Type: DS-65 In Travel Control: Actual valve travel in % of calibrated travel range.
Travel Status STATUS	34.1	RO	N/A			N/A	In Pressure Control: Implied valve travel in % of pressure range.
Travel VALUE	34.2	RO	N/A			N/A	Controls AI channel 4.
SUPPLY_PRESSURE	35						Data Type: DS-65 STATUS indicates the validity of VALUE. VALUE is pressure of air supply, controls AI channel 5.
Supply Pressure Status STATUS	35.1	RO	N/A			N/A	
Supply Pressure VALUE	35.2	RO	N/A			N/A	
PRESSURE_A	36						Data Type: DS-65 STATUS Indicates the validity of VALUE.
Pressure A Status STATUS	36.1	RO	N/A			N/A	Pressure of primary air output, controls AI channel 6.
Pressure A VALUE	36.2	RO	N/A			N/A	
PRESSURE_B	37						Data Type: DS-65 STATUS indicates the validity of VALUE. VALUE is the Pressure on secondary output, controls AI channel 7.
Pressure B Status STATUS	37.1	RO	N/A			N/A	
Pressure B VALUE	37.2	RO	N/A			N/A	

-Continued-

Table 4-14. Transducer Block Parameter Definitions (Continued)

Label PARAMETER_NAME	Index Number	RO / RW	Mode	Range	Initial Value	Protect Category	Description
PRESSURE_DIFF	38						Data Type: DS-65 STATUS indicates the validity of VALUE. VALUE is the difference between PRESSURE_A and PRESSURE_B, controls AI channel 8.
Pressure Differential Status STATUS	38.1	RO	N/A			N/A	
Pressure Differential VALUE	38.2	RO	N/A			N/A	
PWA Simulate PWA_SIMULATE	39	RO or RW*	ALL	1=Simulate Off 2=Simulate Enabled	1=Simulate Off	ALL	Data Type: Enum (Uint8) When this is set to 2 all the alert ACTIVE parameters can be written, except for INST_ALERTS_ACTIVE. SHUTDOWN_ALERT_ACTIVE. This allows alerts to be simulated for testing with hosts. NOTE: only ACTIVE parameters are affected by this. * PWA Simulate is RW only if a jumper is installed across the Aux Terminal. If no jumpered is installed across the Aux Terminal, PWA Simulate is RO.
Grant Deny GRANT_DENY	40						Data Type: DS-50 Options for controlling access of host computer and local control panels to operating, tuning, and alarm parameters of the block. Has no effect on the DVC6200f. GRANT: 0=N/A, 1= granted DENY: 0=N/A, 1= denied
GRANT	40.1	RW	ALL	0: Program 1: Tune 2: Alarm 3: Local	all bits cleared	NONE	
DENY	40.2	RW	ALL		all bits cleared	NONE	
Travel Pressure Control TVL_PRESS_CONTROL	41						
Travel/Pressure Select TVL_PRESS_SELECT	41.1	RW	ALL	1=Travel 2=Pressure 3=TVL/PRESS Auto Recv 4=TVL/PRESS Man Recv	1=Travel	SETUP	Data Type: Enum (Uint8) Selects whether travel sensor or port A pressure is used for feedback.
Travel/Pressure State TVL_PRESS_STATE	41.2	RO	N/A	1=Travel 2=Pressure		N/A	Data Type: Enum (Uint8) Indicates which sensor is used for feedback

-Continued-

Table 4-14. Transducer Block Parameter Definitions (Continued)

Label PARAMETER_NAME	Index Number	RO / RW	Mode	Range	Initial Value	Protect Category	Description
Basic Setup BASIC_SETUP	42						
Actuator Style ACTUATOR_STYLE	42.1	RW	MAN OOS	1=Spring & Diaphragm 2=Piston-Dbl w/o Spring 3=Piston-Dbl w/Spring 4=Piston Sgl w/Spring	1=Spring & Diaphragm	SETUP	Data Type: Enum (Uin8)
Zero Power Condition ZERO_PWR_COND	42.2	RW	MAN OOS	1=Valve Closed 2=Valve Open	1=Valve Closed	SETUP	Data Type: (Uin8) Enum Identifies whether the valve is open or closed when instrument power is lost.
Travel Sensor Motion TRAVEL_SEN_MOTION	42.3	RW	MAN OOS	1=Counter Clockwise 2=Clockwise	1=Counter Clockwise	SETUP	Data Type: Enum (Uin8)
Feedback Connection FEEDBACK_CONN	42.4	RW	MAN OOS	100: Default Array 64: SStem #19 Array 65: SStem #25 Array 66: SStem #38 Array 67: SStem #50 Array 70: SStem #100 Array 74: SStem #200 Array 85: SStem #1 Roller Array 90: RShaft End Array 95: RShaft #1 Window Array 97: RShaft #2 Window Array		SETUP	Data Type: Enum (Uin8)
Relay Type RELAY_TYPE	42.5	RW	MAN OOS	1=Relay A or C--Double or Single Direct 2=Relay B--Single Reverse 5=Relay C-Special App. --Single Direct 6=Relay B-Special App. --Single Reverse 9=Lo-Bleed Relay A or C--Double or Single Direct 10=Lo-Bleed Relay B-- Single Reverse 13=Lo-Bleed Relay C-Special App.--Single Direct 10=Lo-Bleed Relay B-Special App.--Single Reverse	=Relay A or C--Double or Single Direct	SETUP	Data Type: Enum (Uin8)
Maximum Supply Pressure MAX_SUPP_PRESS	42.6	RW	MAN OOS	> 0, <= 150	35 psig	SETUP	Data Type: Float
Pressure Range Hi PRESS_RANGE_HI	42.7	RW	MAN OOS	> 0, <= 150	15.0 psig	SETUP	Data Type: Float Defines pressure corresponding to max pressure in pressure control mode.
Pressure Range Lo PRESS_RANGE_LO	42.8	RW	MAN OOS	> = 0, <= 150	3.0 psig	SETUP	Data Type: Float Defines pressure corresponding to minimum pressure in pressure control mode.
Travel Calibration Trigger TVL_CAL_TRIGGER	42.9	RW	MAN OOS	1 = Aux Term ignored	1	SETUP	Not available in the DVC6200f
Travel Tuning Set TVL_TUNING_SET	42.10	RW	MAN OOS	1=B, 2= C, ...12=M 23=X	2=C	SETUP	Data Type: Enum (Uin8) Letter (B through M or X)
Pressure Tuning Set PRESS_TUNING_SET	42.11	RW	MAN OOS	1=B, 2=C, ...12= M 23=X	2=C	SETUP	Data Type: Enum (Uin8) Letter (B through M or X)

-Continued-

Table 4-14. Transducer Block Parameter Definitions (Continued)

Label PARAMETER_NAME	Index Number	RO / RW	Mode	Range	Initial Value	Protect Category	Description
TRAVEL_CAL	43						
Travel Count TVL_COUNT	43.1	RO	N/A				Data Type: Uint16 Raw feedback from Travel Sensor
Travel Hi Calibration TVL_HI_CAL	43.2	RW	MAN OOS	<TVL_FAC_HI >TVL_LO_CAL		CAL	Data Type: Uint16 Maximum drive calibration point
Travel Lo Calibration TVL_LO_CAL	43.3	RW	MAN OOS	>TVL_FAC_LO <TVL_HI_CAL		CAL	Data Type: Uint16 Minimum drive calibration point
Travel Crossover TVL_CROSSOVER	43.4	RW	MAN OOS	>0% <= 100%	50%	CAL	Data Type: Float Not used for the DVC6200f
Travel Fac Hi TVL_FAC_HI	43.5	RO	N/A		Set by Factory	N/A	Data Type: Uint16 Maximum value of travel sensor counts. Set at factory.
Travel Fac Lo TVL_FAC_LO	43.6	RO	N/A		Set by Factory	N/A	Data Type: Uint16 Minimum value of travel sensor counts. Set at factory.
Travel IP Bias TVL_IP_BIAS	43.7	RW	MAN OOS	0% - 100%	70%	CAL	Data Type: Float
Travel MLFB Bias TVL_MLFB_BIAS	43.8	RW	MAN OOS	0 - 100%	50%	CAL	Data Type: Float
Last Calibration Type TVL_CAL_TYPE	43.9	RW	MAN OOS	0: Not Calibrated 1: Single Point Calibration 2: Auto Calibration 3: Manual Calibration	2: Auto Calibration	CAL	Data Type: Enum (Uint8)
TRAVEL_TUNE	44						
Travel Integral Enable TVL_INTEG_ENABLE	44.1	RW	MAN OOS	1=Off 2=On	2=On	SETUP	Data Type: Enum (Uint8)
Travel Integral Limit Hi TVL_INTEG_LIM_HI	44.2	RW	MAN OOS	0% - 100%	30%	SETUP	Data Type: Float
Travel Integral Limit Lo TVL_INTEG_LIM_LO	44.3	RW	MAN OOS	-100% - 0%	-30%	SETUP	Data Type: Float
Travel Integral Dead Zone TVL_INTEG_DEADZ	44.4	RW	MAN OOS	0% - 2%	0.25%	SETUP	Data Type: Float
Travel MLFB Gain TVL_MLFB_GAIN	44.5	RW	MAN OOS	>= 0	35	SETUP	Data Type: Float

-Continued-

Table 4-14. Transducer Block Parameter Definitions (Continued)

Label PARAMETER_NAME	Index Number	RO / RW	Mode	Range	Initial Value	Protect Category	Description
TRAVEL_CAL_RUN	45						
Travel Calibration Command TVL_CAL_CMD	45.1	RW	MAN	1: Operating 2: Autocalibrate 3: Not Used by DVC6200f 4: Mark Full Open 5: Mark Full Closed 6: Manual Calibrate Final 7: Abort 8: Clear Cal Status 9: Manual Calibrate Init 10: Manual Calibrate Restore 11: Reset Travel Sensor Error 12: Reserved 13: Execute Performance Tuner 14: Execute Performance Tuner (Graphite Packing) 16: Execute Performance Tuner (Booster) 17: Execute Performance Tuner (Graphite Packing and Booster) 19: Autocalibration, Set Filter 20: Autocalibrate Extended, Set Filter	1=Operating	CAL	Data Type: Enum (Uint8) Resets to 1 after a write
Travel Calibration Prog TVL_CAL_PROG	45.2	RO	N/A		0%	N/A	Data Type: Uint8
Travel Calibration Status TVL_CAL_STATUS	45.3	RO	N/A	0: auto cal complete 1: calibration complete 2: auto cal in progress 3: manual cal in progress 3: Not Used by DVC6200f 5: upper position marked 6: lower position marked 7: calibration error 8: Performance Tuner active 9: Performance Tuner Success 10: Performance Tuner Error (No movement) 11: Performance Tuner Error (Accessories unstable) 12: Performance Tuner Error (Other)	no bits set	N/A	Data Type: Bit String (2 bytes) All bits set to 0 when mode changes from OOS. 0 = FALSE, 1 = TRUE
Reserved TVL_CAL_RESERVED	45.4						Reserved

-Continued-



Table 4-14. Transducer Block Parameter Definitions (Continued)

Label PARAMETER_NAME	Index Number	RO / RW	Mode	Range	Initial Value	Protect Category	Description
PRESS_CAL	46						
Supply Pressure Scale SUPP_PRESS_SCALE	46.1	RW	MAN OOS	> 0		CAL	Data Type: Float
Supply Pressure Offset SUPP_PRESS_OFFSET	46.2	RW	MAN OOS	0 to 16383		CAL	Data Type: Uint16
Pressure A Scale PRESS_A_SCALE	46.3	RW	MAN OOS	> 0		CAL	Data Type: Float
Pressure A Offset PRESS_A_OFFSET	46.4	RW	MAN OOS	0 to 16383		CAL	Data Type: Uint16
Pressure B Scale PRESS_B_SCALE	46.5	RW	MAN OOS	> 0		CAL	Data Type: Float
Pressure B Offset PRESS_B_OFFSET	46.6	RW	MAN OOS	0 to 16383		CAL	Data Type: Uint16
Pressure IP Bias PRESS_IP_BIAS	46.7	RW	MAN OOS	0-100%	70%	CAL	Data Type: Float
Pressure MLFB Bias PRESS_MLFB_BIAS	46.8	RW	MAN OOS	0-100%	50%	CAL	Data Type: Float
PRESS_TUNE	47						
Pressure Cutoff Hi PRESS_CUTOFF_HI	47.1	RW	MAN OOS	-25 -125%, > CUTOFF_LO	99.50%	SETUP	Data Type: Float
Pressure Cutoff Lo PRESS_CUTOFF_LO	47.2	RW	MAN OOS	-25 -125% < CUTOFF_HI	0.50%	SETUP	Data Type: Float
Pressure Proportional Gain PRESS_PROP_GAIN	47.3	RW	MAN OOS	> = 0, < 32	2.2	SETUP	Data Type: Float Proportional gain
Pressure Integral Gain PRESS_INTEG_GAIN	47.4	RW	MAN OOS	> = 0, < 32	0.1	SETUP	Data Type: Float Integral resets per second
Pressure Rate Gain PRESS_RATE_GAIN	47.5	RW	MAN OOS	> = 0, < = 512	0	SETUP	Data Type: Float Derivative gain
Pressure Integral Dead Zone PRESS_INTEG_DEADZ	47.6	RW	MAN OOS	= 0%, < = 2.0%	0.25%	SETUP	Data Type: Float Integrator Deadzone, 1/2 width
Pressure Integral Limit Hi PRESS_INTEG_HI_LIM	47.7	RW	MAN OOS	> = 0%, < = 100%, >INTEG_LO	20%	SETUP	Data Type: Float Integrator limits
Pressure Integral Limit LO PRESS_INTEG_LO_LIM	47.8	RW	MAN OOS	< = 0%, > = -100%, <INTEG_HI	-20%	SETUP	Data Type: Float Integrator limits
Pressure Integral IC Hi PRESS_INTEG_IC_HI	47.9	RW	MAN OOS	> = -100%, < = 100%	12%		Not used by the DVC6200f
Pressure Integral IC Lo PRESS_INTEG_IC_LO	47.10	RW	MAN OOS	> = -100%, < = 100%	-12%		Not used by the DVC6200f
Pressure MLFB Gain PRESS_MLFB_GAIN	47.11	RW	MAN OOS	> 0, < = 100	35	SETUP	Data Type: Float
Temperature TEMPERATURE	48	RO	N/A		N/A	N/A	Data Type: Float Electronics temperature - Controls AI channel 11
Target Travel TRAVEL_TARGET	49	RO					
Status STATUS	49.1	RO	MAN OOS			N/A	Data Type: DS-65 <u>In Travel Control</u> : Setpoint for valve travel in %, post characterization. <u>In Pressure Control</u> : Setpoint for implied valve travel as a % or pressure range, post characterization.
Value VALUE	49.2	RO	MAN OOS			N/A	
Input Characterization INPUT_CHAR	50	RW	MAN OOS	1=Linear 2=Equal % 3=Quick Opening 4=Reserved 5=Custom	1=Linear	SETUP	Data Type: Enum (Uint8)

-Continued-

Table 4-14. Transducer Block Parameter Definitions (Continued)

Label PARAMETER_NAME	Index Number	RO / RW	Mode	Range	Initial Value	Protect Category	Description
Custom Points CUSTOM_POINTS	51	RW	MAN OOS		Linear, Y=X	SETUP	Data Type: Unit 16 Array[43] Each item - 2500 to 12500 First integrator is number of valid points. Followed by up to 21 X values and then 21 Y values. X values must be increasing. Y values must be increasing or same. A value of 2050 represent 20.50% Custom Points can be written only if Input Characterization (INPUT_CHAR [50]) is not custom.
Travel Deviation TRAVEL_DEVIATION	52	RO	N/A	0 to 100%		N/A	Data Type: Float Absolute value of (TRAVEL_TARGET [49] - TRAVEL [34]), Controls AI channel 10
Drive Signal DRIVE_SIGNAL	53	RO	N/A	0 to 100%		N/A	Data Type: Float Controls AI channel 9
Drive Current DRIVE_CURRENT	54	RO	N/A	0 to 100%		N/A	Data Type: Float
MLFB MLFB	55	RO	N/A	-100% to 100%		N/A	Data Type: Float
Failed Alarm FAILED_ALM	56						Data Type: DS-71 Used to report alerts to host system.
UNACKNOWLEDGED	56.1	RW	ALL	0=Undefined 1=Acknowledged 2=Unacknowledged	0=Undefined	NONE	
ALARM_STATE	56.2	RO	N/A	0=Undefined 1=Clear-reported 2=Clear-not reported 3=Active-reported 4=Active-not reported	0=Undefined	N/A	
TIME_STAMP	56.3	RO	N/A		0	N/A	
SUBCODE	56.4	RO	N/A		0	N/A	
VALUE	56.5	RO	N/A		0	N/A	Data Type: Float Value of parameter at alarm time for single alarm, 0 for multiple alarms
Maintenance Alarm MAINT_ALM	57						Data Type: DS-71 Used to report alerts to host system
UNACKNOWLEDGED	57.1	RW	N/A	0=Undefined 1=Acknowledged 2=Unacknowledged	0=Undefined	NONE	
ALARM_STATE	57.2	RO	N/A	0=Undefined 1=Clear-reported 2=Clear-not reported 3=Active-reported 4=Active-not reported	0=Undefined	N/A	
TIME_STAMP	57.3	RO	N/A		0	N/A	
SUBCODE	57.4	RO	N/A		0	N/A	
VALUE	57.5	RO	N/A		0	N/A	Data Type: Float Value of parameter at alarm time for single alarm, 0 for multiple alarms

-Continued-

Table 4-14. Transducer Block Parameter Definitions (Continued)

Label PARAMETER_NAME	Index Number	RO / RW	Mode	Range	Initial Value	Protect Category	Description
Advise Alarm ADVISE_ALM	58						Data Type: DS-71 Used to report alerts to host system
UNACKNOWLEDGED	58.1	RW	N/A	0=Undefined 1=Acknowledged 2=Unacknowledged	0=Undefined	NONE	
ALARM_STATE	58.2	RO	N/A	0: Undefined 1: Clear-reported 2: Clear-not reported 3: Active-reported 4: Active-not reported	0=Undefined	N/A	
TIME_STAMP	58.3	RO	N/A		0	N/A	
SUBCODE	58.4	RO	N/A		0	N/A	
VALUE	58.5	RO	N/A		0	N/A	Data Type: Float Value of parameter at alarm time for single alarm, 0 for multiple alarms
Failed Active FAILED_ACTIVE	59	RO(1)	N/A	0: Drive Current 1: Drive Signal 2: Processor Impaired 3: Output Block Timeout 4: Blocks Set to Defaults 5: Travel Sensor 6: Outlet Pressure Sensor 7: Supply Pressure Sensor 8: Temperature Sensor 9: Supply Pressure 10: Temperature Limit 11: Travel Deviation 12: Travel Limit 13: Travel Accumulator 14: Cycle Counter 15: Performance Critical 16: Performance Reduced 17: Performance Information 18: Shutdown Alert	All bits: 0	N/A	Data Type: Bit String (4 byte) 0=inactive 1=active Failed Alert Status
Maintenance Active MAINT_ACTIVE	60	RO(1)	N/A	0: Drive Current 1: Drive Signal 2: Processor Impaired 3: Output Block Timeout 4: Blocks Set to Defaults 5: Travel Sensor 6: Outlet Pressure Sensor 7: Supply Pressure Sensor 8: Temperature Sensor 9: Supply Pressure 10: Temperature Limit 11: Travel Deviation 12: Travel Limit 13: Travel Accumulator 14: Cycle Counter 15: Performance Critical 16: Performance Reduced 17: Performance Information 18: Shutdown Alert	All bits: 0	N/A	Data Type: Bit String (4 byte) 0=inactive 1=active Maintenance Alert Status

1. These parameters can be written when PWA\_SIMULATE is active and Protect Category is not ALL.

-Continued-

Table 4-14. Transducer Block Parameter Definitions (Continued)

Label PARAMETER_NAME	Index Number	RO / RW	Mode	Range	Initial Value	Protect Category	Description
Advise Active ADVISE_ACTIVE	61	RO(1)	N/A	0: Drive Current 1: Drive Signal 2: Processor Impaired 3: Output Block Timeout 4: Blocks Set to Defaults 5: Travel Sensor 6: Outlet Pressure Sensor 7: Supply Pressure Sensor 8: Temperature Sensor 9: Supply Pressure 10: Temperature Limit 11: Travel Deviation 12: Travel Limit 13: Travel Accumulator 14: Cycle Counter 15: Performance Critical 16: Performance Reduced 17: Performance Information 18: Shutdown Alert	All bits: 0	N/A	Data Type: Bit String (4 byte) 0=inactive 1=active Advise Alert Status
Failed Enable FAILED_ENABLE	62	RW	ALL	Same as for FAILED_ACTIVE above	Enabled Bits: 0: Drive Current 2: Processor Impaired 4: Blocks Set to Default 5: Travel Sensor 15: Performance Critical 18: Shutdown Alert	ALL	Data Type: Bit String (4 byte) 0=disable 1=enable Failed alert enable. Enable allows detection of alert. All alerts can be disabled.
Maintenance Enable MAINT_ENABLE	63	RW	ALL	Same as for MAINT_ACTIVE above	Enabled Bits: 1: Drive Signal 3: Output Block Timeout 6: Outlet Pressure Sensor 9: Supply Pressure 11: Travel Deviation 13: Travel Accumulator 14: Cycle Counter 16: Performance Reduced	ALL	Data Type: Bit String (4 byte) 0=disable 1=enable Maintenance alert enable. Enable allows detection of alert. All alerts can be disabled.
Advise Enable ADVISE_ENABLE	64	RW	ALL	Same as for ADVISE_ENABLE above	Enabled Bits: 7: Supply Pressure Sensor 8: Temperature Sensor 10: Temperature Limit 12: Travel Limit	ALL	Data Type: Bit String (4 byte) 0=disable 1=enable Advise alert enable. Enable allows detection of alert. All alerts can be disabled.
Failed Suppress FAILED_MASK	65	RW	ALL	Same as for FAILED_ACTIVE above	All bits: 0	ALL	Data Type: Bit String (4 byte) 0=disable 1=enable Failed alert mask. MASK controls whether an alert is reported. If alert is enabled the alert condition is evaluated and the ACTIVE parameter is updated to reflect if alert is active or not. If the bit is set reporting is suppressed. Default is all bits cleared.

1. These parameters can be written when PWA\_SIMULATE is active and Protect Category is not ALL.

-Continued-

Table 4-14. Transducer Block Parameter Definitions (Continued)

Label PARAMETER_NAME	Index Number	RO / RW	Mode	Range	Initial Value	Protect Category	Description
Maintenance Suppress MAINT_MASK	66	RW	ALL	Same as for MAINT_ACTIVE above	All bits: 0	ALL	Data Type: Bit String (4 byte) 0=disable 1=enable Maintenance alert mask. MASK controls whether an alert is reported. If alert is enabled the alert condition is evaluated and the ACTIVE parameter is updated to reflect if alert is active or not. If the bit is set reporting is suppressed. Default is all bits cleared.
Advise Suppress ADVISE_MASK	67	RW	ALL	Same as for ADVISE_ENABLE above	All bits: 0	ALL	Data Type: Bit String (4 byte) 0=disable 1=enable Advise alert mask. MASK controls whether an alert is reported. If alert is enabled the alert condition is evaluated and the ACTIVE parameter is updated to reflect if alert is active or not. If the bit is set reporting is suppressed. Default is all bits cleared.
Failed Priority FAILED_PRI	68	RW	ALL	0 to 15	2	SETUP	Data Type: UInt8 Failed alert priority
Maintenance Priority MAINT_PRI	69	RW	ALL	0 to 15	2	SETUP	Data Type: UInt8 Maintenance alert priority
Advise Priority ADVISE_PRI	70	RW	ALL	0 to 15	2	SETUP	Data Type: UInt8 Advise alert priority
Recommended Action RECOMMENDED_ACTION	71	RO	N/A	0 to 65535	0	N/A	Data Type: UInt16 Fix for most serious condition
Travel Accumulator TRAVEL_ACCUM	72	RW	ALL	Write: Anything Read: Actual		CAL	Data Type: UInt32 Total travel expressed in integer % terms. Controls AI channel 13.
Cycle Count CYCLE_COUNT	73	RW	ALL	Write: Anything Read: Actual		CAL	Data Type: UInt32 Number of cycle transitions above a certain threshold of movement. Controls AI channel 12.

-Continued-

Table 4-14. Transducer Block Parameter Definitions (Continued)

Label PARAMETER_NAME	Index Number	RO / RW	Mode	Range	Initial Value	Protect Category	Description
INST_ALERTS_ACTIVE	74						
Electronics Active ELECT_ACTIVE	74.1	RO(1)	ALL	0: Drive Current 1: Drive Signal 2: Memory Failure - Pending 3: Static Memory 4: Processor 5: I/O Processor 6: Output Block Timeout 7: Block Set to Defaults	All bits: 0	N/A	Data Type: Bit String (4 byte) 0=inactive 1=active Electronics Alert status
Sensor Active SENSOR_ACTIVE	74.2	RO(1)	ALL	0: Travel Sensor 1: Port A Pressure Sensor 2: Port B Pressure Sensor 3: Supply Pressure Sensor 4: Temperature Sensor 5: Pressure Fallback	All bits: 0	N/A	Data Type: Bit String (4 byte) 0=inactive 1=active Sensor Alert status
Environment Active ENVIRO_ACTIVE	74.3	RO(1)	ALL	0: Supply Pressure High 1: Supply Pressure Low 2: Temperature High 3: Temperature Low	All bits: 0	N/A	Data Type: Bit String (4 byte) 0=inactive 1=active Environment Alert status
Travel Active TRAVEL_ACTIVE	74.4	RO(1)	ALL	0: Travel Deviation 1: Travel High High 2: Travel Low Low 3: Travel High 4: Travel Low	All bits: 0	N/A	Data Type: Bit String (4 byte) 0=inactive 1=active Travel Alert status
Proximity Active PROX_ACTIVE	74.5	RO(1)	N/A	0: Travel Open 1: Travel Closed 2: Proximity High High 3: Proximity High 4: Proximity Low 5: Proximity Low Low	All bits: 0	N/A	Data Type: Bit String (4 byte) 0=inactive 1=active Proximity Alert status.
Travel History Active TVL_HISTORY_ACTIVE	74.6	RO(1)	ALL	0: Cycle Counter 1: Travel Accumulator	All bits: 0	N/A	Data Type: Bit String (4 byte) 0=inactive 1=active Travel History Alert status
Performance Active PERF_ACTIVE	74.7	RO(1)	ALL	0: Performance Critical 1: Performance Reduced 2: Performance Information	All bits: 0	N/A	Data Type: Bit String (4 byte) 0=inactive 1=active Performance Diagnostic Alert status
PD Event Active PD_EVENT_ACTIVE	74.8	RO(1)	ALL	0: High I/P Drive Signal 1: Low I/P Drive Signal 2: High Air Mass Flow 3: Large Travel Deviation 4: Low Supply Pressure 5: High Supply Pressure 6: High Crossover Pressure 7: Low Crossover Pressure 8: No Air Mass Flow Estimate	All bits: 0	N/A	Data Type: Bit String (4 byte) 0=inactive 1=active Performance Diagnostic event status.

1. These parameters can be written when PWA\_SIMULATE is active and Protect Category is not ALL.

-Continued-

Table 4-14. Transducer Block Parameter Definitions (Continued)

Label PARAMETER_NAME	Index Number	RO / RW	Mode	Range	Initial Value	Protect Category	Description
PD Detail 1 Active PD_DETAIL1_ACTIVE	74.9	RO(1)	ALL	0: I/P Primary Plugged 1: I/P Nozzle Plugged 2: I/P Latched 3: Reserved 4: Relay Jammed 5: Relay Cross Misadj 6: Relay Bias Diaph Leak 7: Relay Port A Diaph Leak 8: Relay Port B Diaph Leak 9: Reserved 10: Valve Stuck Low or Sensor Arm Damage 11: Valve Stuck High or Sensor Arm Damage 12: Piston Ring Leak 13: Reserved 14: Low Supply Pressure 15: External Leak 16: SOV Trip 17: Air Line Blocked 18: Reserved 19: Reserved 20: Unknown	All bits:0	N/A	Data Type: Bit String (4 byte) 0=inactive 1=active Performance Diagnostic Critical possible cause.
PD Detail 2 Active PD_DETAIL2_ACTIVE	74.10	RO(1)	ALL	Reserved	All bits: 0	N/A	Data Type: Bit String (4 byte) 0=inactive 1=active Performance Diagnostic Detail status.
PD Detail 3 Active PD_DETAIL3_ACTIVE	74.11	RO(1)	ALL	0: I/P Primary Plugging 1: I/P Nozzle Plugging 2: I/P Calibration Shift 3: Reserved 4: Relay Cross Misadj 5: Relay Port A Diaph Leak 6: Relay Port B Diaph Leak 7: Reserved 8: Piston Ring Leak 9: Reserved 10: Reserved 11: Low Supply Pressure 12: Reserved 13: External Leak 14: Reserved 15: Travel Calibration Shift 16: Unknown 17: Reserved 18: Reserved	All bits: 0	N/A	Data Type: Bit String (4 byte) 0=inactive 1=active Performance Diagnostic Reduce possible cause.
PD Detail 4 Active PD_DETAIL4_ACTIVE	74.12	RO(1)	ALL	Reserved	All bits: 0	N/A	Data Type: Bit String (4 byte) 0=inactive 1=active Performance Diagnostic Detail status

1. These parameters can be written when PWA\_SIMULATE is active and Protect Category is not ALL.

-Continued-

Table 4-14. Transducer Block Parameter Definitions (Continued)

Label PARAMETER_NAME	Index Number	RO / RW	Mode	Range	Initial Value	Protect Category	Description
PD Detail 5 Active PD_DETAIL5_ACTIVE	74.13	RO(1)	ALL	0: Relay Disengaged 1: Insufficient Pressure Differential 2: Travel Calibration Error 3: Reserved 4: High Supply Pressure* 5: Reserved 6: Near a Travel Cutoff Or Stop 7:Reserved 8: Spec Sheet Fields Incomplete* 9: Sensor Failure* 10: Pressure Control Active 11: Transducer Block Mode OOS 12: Not Authorized for PD 13: PD Run Disabled* 14: Trigger Data Available*	All bits: 0	N/A	Data Type: Bit String (4 byte) 0=inactive 1=active Performance Diagnostic Detail status  * Bits which, when set, will trigger PERF_ACTIVE bit 2.
PD Detail 6 Active PD_DETAIL6_ACTIVE	74.14	RO(1)	ALL	Reserved	All bits: 0	N/A	Data Type: Bit String (4 byte) 0=inactive 1=active Performance Diagnostic Detail status
Shutdown Alerts SHUTDOWN_ALERTS_ACTIVE	74.15	RO	N/A	0: Drive Current 1: Program Memory 2: Static Memory 3: Processor or I/O Processor 4: Travel Sensor 5: Port A Pressure Sensor 6: Output Block Timeout 7-31: (Reserved)	All bits: 0	N/A	Data Type: Bit String (4 byte) 0=inactive 1=active Indicates what caused an Instrument Shutdown. Bit remains set even if condition has passed if Shutdown Recovery is Manual. All bits are cleared when MODE_BLK.TARGET is written. Always enabled whenever the corresponding SHUTDOWN_TRIGGER is enabled.

1. These parameters can be written when PWA\_SIMULATE is active and Protect Category is not ALL.

-Continued-



Table 4-14. Transducer Block Parameter Definitions (Continued)

Label PARAMETER_NAME	Index Number	RO / RW	Mode	Range	Initial Value	Protect Category	Description
INST_ALERTS_ENABLE	75						
Electronics Enable ELECT_ENABLE	75.1	RW	ALL	0: Drive Current 1: Drive Signal 2: Program Memory 3: Static Memory 4: Processor 5: I/O Processor 6: Output Block Timeout 7: Blocks Set to Defaults	Enabled Bits: 0: Drive Current 1: Drive Signal 2: Program Memory 3: Static Memory 4: Processor 5: I/O Processor 7: Block Set to Default	SETUP	Data Type: Bit String (4 byte) 0=disable 1=enable Electronic Alerts Enable
Sensor Enable SENSOR_ENABLE	75.2	RW	ALL	0: Travel Sensor 1: Port A Pressure Sensor 2: Port B Pressure Sensor 3: Supply Pressure Sensor 4: Temperature Sensor	Enabled Bits: 0: Travel Sensor 1: Port A Pressure Sensor 2: Port B Pressure Sensor 3: Supply Pressure Sensor 4: Temperature Sensor	SETUP	Data Type: Bit String (4 byte) 0=disable 1=enable Sensor Alerts Enable
Environment Enable ENVIRO_ENABLE	75.3	RW	ALL	0: Supply Pressure High 1: Supply Pressure Low 2: Temperature High 3: Temperature Low	Enabled Bits: 0: Supply Pressure High 2: Temperature High 3: Temperature Low	SETUP	Data Type: Bit String (4 byte) 0=disable 1=enable Environment Alerts Enable
Travel Enable TRAVEL_ENABLE	75.4	RW	ALL	0: Travel Deviation 1: Travel High High 2: Travel Low Low 3: Travel High 4: Travel Low	Enabled Bits: 0: Travel Deviation	SETUP	Data Type: Bit String (4 byte) 0=disable 1=enable Travel Alerts Enable
Proximity Enable PROX_ENABLE	75.5	RW	ALL	0: Travel Open 1: Travel Closed 2: Proximity High High 3: Proximity High 4: Proximity Low 5: Proximity Low Low	All bits: 0	SETUP	Data Type: Bit String (4 byte) 0=disable 1=enable Proximity Alerts Enable
Travel History Enable TVL_HISTORY_ENABLE	75.6	RW	ALL	0: Cycle Counter 1: Travel Accumulator	All bits: 0	SETUP	Data Type: Bit String (4 byte) 0=disable 1=enable Travel History Alerts Enable
Performance Enable PERF_ENABLE	75.7	RW	ALL	0: Performance Critical 1: Performance Reduced 2: Performance Information	Enabled Bits: 0: Performance Critical 1: Performance Reduced	SETUP	Data Type: Bit String (4 byte) 0=disable 1=enable Performance Alerts Enable

-Continued-

Table 4-14. Transducer Block Parameter Definitions (Continued)

Label PARAMETER_NAME	Index Number	RO / RW	Mode	Range	Initial Value	Protect Category	Description
INST_ALERTS_CONFIG	76						
Shutdown Trigger SHUTDOWN_TRIGGER	76.1	RW	ALL	0: Drive Current 1: Program Memory 2: Static Memory 3: Processor or I/O Processor 4: Travel Sensor 5: Port A Pressure Sensor 6: Output Block Timeout 7-31: (Reserved)	All bits: 0	SETUP	Data Type: Bit String (4 byte) 0=attempt control, 1=fail to zero drive e.g. OOS mode Action on specific instrument alerts:
Shutdown Recovery SHUTDOWN_RECOVERY	76.2	RW	ALL	0: (reserved) 1: Program Memory 2: Static Memory 3: Processor or I/O Processor 4: Travel Sensor 5: Port A Pressure Sensor 6: Output Block Timeout 7-31: (Reserved)	All bits: 0	SETUP	Data Type: Bit String (4 byte) 0=Auto 1=Manual Recovery action after a shutdown trigger "fail to zero drive" above,
Output Blk Timeout OUTPUT_BLK_TIMEOUT	76.3	RW	ALL	Time >= 0, <= 800 seconds	600 sec	SETUP	Data Type: Float The maximum time between updates from the AO or DO block to the transducer block setpoint.
Drive Current Alert Point DRIVE_CURRENT_ALRT_PT	76.4	RW	ALL	>= 5, <= 100	25%	SETUP	Data Type: Float (percent different) drive signal not reaching I/P accurately.
Drive Current Alert Time DRIVE_CURRENT_TIME	76.5	RW	ALL	= 0.25, <= 120 seconds	5 sec	SETUP	Data Type: Float (percent different) drive signal not reaching I/P accurately.
Temperature Hi Alert Point TEMP_HI_ALRT_PT	76.6	RW	ALL	> -76 F, < 257 F	186 deg F	SETUP	Data Type: Float Temperature HI Limits
Temperature Lo Alert Point TEMP_LO_ALRT_PT	76.7	RW	ALL	> -76 F, < 257 F	-63 deg F	SETUP	Data Type: Float Temperature LO Limits
Supply Pressure Hi Alert Point SUP_PRES_HI_ALRT_PT	76.8	RW	ALL	>= 0, <= 150	145 psig	SETUP	Data Type: Float Maximum supply pressure
Supply Pressure Lo Alert Point SUP_PRES_LO_ALRT_PT	76.9	RW	ALL	>= 0, <= 150	15 psig	SETUP	Data Type: Float Minimum supply pressure
INST_ALERTS_CONFIG2	77						
Travel Deviation Alert Point TVL_DEV_ALRT_PT	77.1	RW	ALL	> 0%, <= 125%	5%	SETUP	Data Type: Float Alerts when difference between sp and pv is too large for too long.
Travel Deviation Time TVL_DEV_TIME	77.2	RW	ALL	>= 0, <= 120 seconds	10 sec	SETUP	Data Type: Float
Travel Deviation Deadband TVL_DEV_DB	77.3	RW	ALL	>= 0%, <= 100%	2%	SETUP	Data Type: Float
Travel Accumulator Alert Point TVL_ACCUM_ALRT_PT	77.4	RW	ALL	>= 0	1,000,000	SETUP	Data Type: Uint32 Alerts when accumulated travel is too much
Travel Accumulator Deadband TVL_ACCUM_DB	77.5	RW	ALL	0 - 100%	1%	SETUP	Data Type: Float Deadband
Cycle Count Alert Point CYCLE_COUNT_ALRT_PT	77.6	RW	ALL	>= 0	1,000,000	SETUP	Alerts when number of cycles is too large.
Cycle Count Deadband CYCLE_COUNT_DB	77.7	RW	ALL	0 - 100%	1%	SETUP	Data Type: Float Deadband

-Continued-

Table 4-14. Transducer Block Parameter Definitions (Continued)

Label PARAMETER_NAME	Index Number	RO / RW	Mode	Range	Initial Value	Protect Category	Description
Travel Open Alert Point TVL_OPEN_ALRT_PT	77.8	RW	ALL	-25% to 125%	99.5%	SETUP	Data Type: Float Alert when valve is open. Control DI channel 24 regardless of alert enable state.
Travel Open Deadband TVL_OPEN_DB	77.9	RW	ALL	> = 0%, < = 100%	1%	SETUP	Data Type: Float Deadband
Travel Closed Alert Point TVL_CLOSED_ALRT_PT	77.10	RW	ALL	-25% to 125%	0.5%	SETUP	Data Type: Float Alerts when valve closed. Controls DI channel 25 regardless of alert enable state.
Travel Closed Deadband TVL_CLOSED_DB	77.11	RW	ALL	> = 0%, < = 100%	1%	SETUP	Data Type: Float Deadband
Travel Lo Lo Alert Point TVL_LO_LO_ALRT_PT	77.12	RW	ALL	-25% to 125%	-25%	SETUP	Data Type: Float Alert when valve position is less than alert point. Controls DI channels 26 & 30 regardless of alert enable state.
Travel Lo Lo Deadband TVL_LO_LO_DB	77.13	RW	ALL	> = 0%, < = 100%	5%	SETUP	Data Type: Float Deadband
Travel Lo Alert Point TVL_LO_ALRT_PT	77.14	RW	ALL	-25% to 125%	-25%	SETUP	Data Type: Float Alert when valve position is less than alert point. Controls DI channels 27 & 31 regardless of alert enable state.
Travel Lo Deadband TVL_LO_DB	77.15	RW	ALL	> = 0%, < = 100%	5%	SETUP	Data Type: Float Deadband
Travel Hi Alert Point TVL_HI_ALRT_PT	77.16	RW	ALL	-25% to 125%	125%	SETUP	Data Type: Float Alert when valve position is less than alert point. Controls DI channels 28 & 32 regardless of alert enable state.
Travel Hi Deadband TVL_HI_DB	77.17	RW	ALL	> = 0%, < = 100%	5%	SETUP	Data Type: Float Deadband
Travel Hi Hi Alert Point TVL_HI_HI_ALRT_PT	77.18	RW	ALL	-25% to 125%	125%	SETUP	Data Type: Float Alert when valve position is less than alert point. Controls DI channels 29 & 33 regardless of alert enable state.
Travel Hi Hi Deadband TVL_HI_HI_DB	77.19	RW	ALL	> = 0%, < = 100%	5%	SETUP	Data Type: Float Deadband

-Continued-

Table 4-14. Transducer Block Parameter Definitions (Continued)

Label PARAMETER_NAME	Index Number	RO / RW	Mode	Range	Initial Value	Protect Category	Description
Self Test Status SELFTEST_STATUS	78	RO	N/A	0: 2: Integrator Limited Low 3: Integrator Limited High 4: Travel Sensor Span Error 5: MLFB Error 7: Travel Sensor High Error 8: Travel Sensor Low Error 9: Pressure Sensor B 10: Pressure Sensor A 11: Supply Pressure Sensor 13: IOP Failure 14: Drive Current 15: Simulate Jumper ON	All bits: 0		Data Type: Bit String (2 byte) 0=inactive 1=active Indicates the status of the instrument self test. <b>Integrator Limited Low:</b> Indicates the integrator reached its limit and cannot move the valve any further. High valve friction may cause this situation. <b>Integrator Limited High:</b> Indicates the integrator reached its limit and cannot move the valve any further. High valve friction may cause this situation. <b>Travel Sensor Span Error:</b> Indicates that span between the endpoints of travel are not far enough apart. This error is reported during automatic calibration. <b>MLFB Error:</b> Indicates that the Minor Loop Feedback sensor gave a non-valid value during automatic calibration. <b>Travel Sensor High Error:</b> Indicates the travel sensor has reported a travel position that is significantly above the normal operating range, and has failed. <b>Travel Sensor Low Error:</b> Indicates the travel sensor has reported a travel position that is significantly below the normal operating range, and has failed. <b>Pressure B Sensor Failure:</b> Indicates the pressure sensor is reporting a pressure that is significantly outside of the normal operating pressure, and has failed. <b>Pressure A Sensor Failure:</b> Indicates the pressure sensor is reporting a pressure that is significantly outside of the normal operating pressure, and has failed. <b>Supply Sensor Failure:</b> Indicates the pressure sensor is reporting a pressure that is significantly outside of the normal operating pressure, and has failed. <b>IOP Failure:</b> Indicates the I/O processor has failed. <b>Drive Current:</b> Indicates that the Drive Current has exceeded the Drive Current Alert Point for more than the Drive Current Alert Time. <b>Simulate Jumper ON:</b> Indicates the simulate jumper is connected to the DVC6200f between the two AUX terminals.
Health Index HEALTH_INDEX	79	RO	N/A	0 - 100	100	N/A	Data Type: UInt8 Represents overall health of device. 100 is perfect, 0 is completely bad. Settings for DVC6200f will range from 10 to 100.
Reserved A RESERVED_A	80	RW	ALL		N/A	SETUP	Data Type: Array, 118 x Unit8 Reserved

-Continued-

Table 4-14. Transducer Block Parameter Definitions (Continued)

Label PARAMETER_NAME	Index Number	RO / RW	Mode	Range	Initial Value	Protect Category	Description
Reserved AI RESERVED_AI	81	RW	ALL		0	SETUP	Data Type: Uint16 Reserved
Upgrade Progress UPGRADE_PROGRESS	82	RO	N/A		1	N/A	Data Type: Enum (Uint8) Not used by the DVC6200f
SPEC_SHEET_VALVE							
Valve Size VALVE_SIZE	83.1	RW	ALL		NULL	ALL	Data Type: Visible String
Valve Class VALVE_CLASS	83.2	RW	ALL		NULL	ALL	Data Type: Visible String
Rated Travel RATEDTRAVEL	83.3	RW	ALL		0.00	ALL	Data Type: Float
Actual Travel ACTUAL_TRAVEL	83.4	RW	ALL		0.00	ALL	Data Type: Float
Shaft Stem Diameter SHAFT_STEM_DIA	83.5	RW	ALL		0.00	ALL	Data Type: Float
Packing Type PACKING_TYPE	83.6	RW	ALL		NULL	ALL	Data Type: Visible String
Inlet Pressure INLET_PRESSURE	83.7	RW	ALL		0.00	ALL	Data Type: Float
Outlet Pressure OUTLET_PRESSURE	83.8	RW	ALL		0.00	ALL	Data Type: Float
SPEC_SHEET_TRIM							
Seat Type SEAT_TYPE	84.1	RW	ALL		NULL	ALL	Data Type: Visible String
Leak Class LEAK_CLASS	84.2	RW	ALL	ANSI Seat Leakage Classification 1: I 2: II 3: III 4: IV 5: V 6: VI 7: BFW 8: STD AIR 9: BFW II 10: BFW III 11: BFW IV 12: BFW V 13: BFW VI 14: 1/10th of IV 15: Bubble Tight	1= I	ALL	Data Type: Enum (Uint8)
Port Diameter PORT_DIAMETER	84.3	RW	ALL		0.00	ALL	Data Type: Float
Port Type PORT_TYPE	84.4	RW	ALL	1=balanced 2=unbalanced	0	ALL	Data Type: Enum (Uint8)
Flow Direction FLOWDIRECTION	84.5	RW	ALL	1=up 2=down	0	ALL	Data Type: Enum (Uint8)
Push Down To PUSH_DOWN_TO	84.6	RW	ALL	1=open 2=close	0	ALL	Data Type: Enum (Uint8)
Flow Tends To FLOW_TENDS_TO	84.7	RW	ALL	1=open 2=close	0	ALL	Data Type: Enum (Uint8)
Unbalanced Area UNBALANCED_AREA	84.8	RW	ALL		0.00	ALL	Data Type: Float
Trim Style 1 TRIM_STYLE_1	84.9	RW	ALL		NULL	ALL	Data Type: Visible String
Trim Style 2 TRIM_STYLE_2	84.10	RW	ALL		NULL	ALL	Data Type: Visible String

-Continued-

Table 4-14. Transducer Block Parameter Definitions (Continued)

Label PARAMETER_NAME	Index Number	RO / RW	Mode	Range	Initial Value	Protect Category	Description
SPEC_SHEET_ACT	85						
Actuator Size ACTUATOR_SIZE	85.1	RW	ALL		NULL	ALL	Data Type: Visible String
Effective Area EFFECTIVE_AREA	85.2	RW	ALL		0.00	ALL	Data Type: Float
Air AIR	85.3	RW	ALL	1=open 2=close	0	ALL	Data Type: Enum (Uint8)
Lower Bench Set LOWER_BENCH_SET	85.4	RW	ALL		0.00	ALL	Data Type: Float
Upper Bench Set UPPER_BENCH_SET	85.5	RW	ALL		0.00	ALL	Data Type: Float
Nominal Supply Pressure NOMINAL_SUPPLY_PRESSURE	85.6	RW	ALL		0.00	ALL	Data Type: Float
Spring Rate SPRING_RATE	85.7	RW	ALL		0.00	ALL	Data Type: Float
Stroking Time Open STROKING_TIME_OPEN	85.8	RW	ALL		0.00	ALL	Data Type: Float Seconds
Stroking Time Close STROKING_TIME_CLOSE	85.9	RW	ALL		0.00	ALL	Data Type: Float Seconds
Lever Style LEVER_STYLE	85.10	RW	ALL	1=Pivot Point 2=Rack & Pinion	0	ALL	Data Type: Enum (Uint8)
Lever Arm Length MOMENT_ARM	85.11	RW	ALL		0.00	ALL	Data Type: Float
DEVICE_RECORD	86						These parameters can only reset through VL/DD.
Temperature Maximum TEMP_MAX	86.1	RO	N/A		-9999.99	N/A	Data Type: Float Highest temperature recorded
Temperature Maximum Time TEMP_MAX_TIME	86.2	RO	N/A		Zero time	N/A	Data Type: Time Value
Temperature Minimum TEMP_MIN	86.3	RO	N/A		9999.99	N/A	Data Type: Float Lowest temperature recorded
Temperature Minimum Time TEMP_MIN_TIME	86.4	RO	N/A		Zero time	N/A	Data Type: Time Value
Supply Pressure Maximum SUPP_PRESS_MAX	86.5	RO	N/A		0.0	N/A	Data Type: Float Highest supply pressure recorded
Supply Pressure Maximum Time SUPP_PRESS_MAX_TIME	86.6	RO	N/A		Zero time	N/A	Data Type: Time Value
Supply Pressure Minimum SUPP_PRESS_MIN	86.7	RO	N/A		9999.99	N/A	Data Type: Float Lowest supply pressure recorded
Supply Pressure Minimum Time SUPP_PRESS_MIN_TIME	86.8	RO	N/A		Zero time	N/A	Data Type: Time Value
Comm Error Count COMM_ERROR_COUNT	86.9	RW	N/A		0	SETUP	Not used by the DVC6200f
Protection PROTECTION	87	RW	ALL	1=None 2=Calibration 3=Setup & Calibration 4=All	2=Calibration	NONE	Data Type: Enum Write lock enable/disable. If setting is at or above a parameters protection level then that parameter is read-only.

-Continued-

Table 4-14. Transducer Block Parameter Definitions (Continued)

Label PARAMETER_NAME	Index Number	RO / RW	Mode	Range	Initial Value	Protect Category	Description
PERF_DIAG	88						
PD Run PD_COMMAND	88.1	RW	AUTO MAN	1=PD On 2=PD Off	1=PD On	NONE	Data Type: Enum Controls whether PD will run or not.
PD Status PD_STATUS	88.2	RO	ALL	1=Not Running 2=Running		NONE	Data Type: Enum Status of performance diagnostics.
PD Configuration PD_CONFIG	88.3	RW	ALL	0		NONE	Data Type: Bit String Bit string for configuring PD setup and options.
PD Extra PD_EXTRA	88.4	RW	ALL		0	NONE	Data Type: Uint32 Extra 32 bit integer for sending values to PD.
Temperature Units TEMPERATURE_UNITS	89	RW	ALL	C=1001 F=1002	C	SETUP	Data Type: Enum (Uint8)
Pressure Units PRESSURE_UNITS	90	RW	ALL	kPa=1133 bar=1137 psig=1143 inHg=1155 inH2O=1146 Kg/cm <sup>2</sup> =1145	kPa	SETUP	Data Type: Enum (Uint8)
Travel Units TVL_UNITS	91	RW	ALL	cm=1012 mm=1013 in=1019 deg=1005	mm	SETUP	Data Type: Enum (Uint8) Travel units for spec sheet ACTUAL_TRAVEL and RATEDTRAVEL only.
Length Units LENGTH_UNITS	92	RW	ALL	cm=1012 mm=1013 in=1019	mm	SETUP	Data Type: Enum (Uint8) Not used for spec sheet ACTUAL_TRAVEL OR RATEDTRAVEL
Area Units AREA_UNITS	93	RW	ALL	cm <sup>2</sup> =1025 mm <sup>2</sup> =1027 in <sup>2</sup> =1030	cm <sup>2</sup>	SETUP	Data Type: Enum (Uint8)
Spring Rate Units SPRING_RATE_UNITS	94	RW	ALL	N/m=1165 lb/in=1596	N/m	SETUP	Data Type: Enum (Uint8)
MAI_CHANNEL_MAP	95						Data Type: Uint16 This defines which transducer block channels will be sent to each of the 8 MAI channels. No scaling or other conversion will be done. Values will be sent in the currently defined units. If set to 0, then no output to MAI (status will be set to BAD).
MAI Channel 1 MAI_CHANNEL_1	95.1	RW	MAN, OOS	1 through 13	1	SETUP	1=FINAL_VALUE
MAI Channel 2 MAI_CHANNEL_2	95.2	RW	MAN, OOS	1 through 13	2	SETUP	2=TRAVEL_TARGET
MAI Channel 3 MAI_CHANNEL_3	95.3	RW	MAN, OOS	1 through 13	3	SETUP	3=FINAL_POSITION_VALUE
MAI Channel 4 MAI_CHANNEL_4	95.4	RW	MAN, OOS	1 through 13	4	SETUP	4=TRAVEL
MAI Channel 5 MAI_CHANNEL_5	95.5	RW	MAN, OOS	1 through 13	5	SETUP	5=SUPPLY_PRESS
MAI Channel 6 MAI_CHANNEL_6	95.6	RW	MAN, OOS	1 through 13	6	SETUP	6=ACT_PRESS_A
MAI Channel 7 MAI_CHANNEL_7	95.7	RW	MAN, OOS	1 through 13	7	SETUP	7=ACT_PRESS_B
MAI Channel 8 MAI_CHANNEL_8	95.8	RW	MAN, OOS	1 through 13	8	SETUP	8=ACT_PRESS_DIFF
Output Block Selection OUTBLOCK_SEL	96	RW	MAN, OOS	1: AO Block 2: DO Block	1: AO Block	SETUP	9=DRIVE_SIGNAL 10=TRAVEL_DEVIATION 11=TEMPERATURE 12=CYCLE_COUNT 13=TRAVEL_ACCUM
PlantWeb Alerts Set PV Status PWA_SET_STATUS	97	RW	MAN, OOS	1: No 2: Yes	1: No	SETUP	Data Type: Enum (Uint8) Controls whether the status of the PV fed back to the output block from the transducer block will be affected by an active PlantWeb alert.

-Continued-

Table 4-14. Transducer Block Parameter Definitions (Continued)

Label PARAMETER_NAME	Index Number	RO / RW	Mode	Range	Initial Value	Protect Category	Description
Block Information BLOCK_INFO	98	RO		Bit 0: Travel feedback sensor detected Bit 1: Output Block Scheduled Bit 2: Trigger Capturing Bit 3: Output Block in Normal Mode Bit 4: Write Lock is on Bit 5: Resource Block in Auto Mode			Data Type: Bit String (2 bytes)
Reserved B RESERVED_B	99	RW					Data Type: Bit String (4 bytes)
Travel Always TRAVEL_ALWAYS	100	RO					Data Type: DS-65

## View Lists

View lists allow the values of a set of parameters to be accessed at the same time. Views 1 and 2 contain operating parameters and are defined by the Fieldbus Foundation. View 3 contains dynamic parameters and View 4 contains static parameters with configuration and maintenance information. Views 3 and 4 are defined by the manufacturer.

Table 4-15. Transducer Block, View 1

Index Number	Parameter
1	ST_REV
5.1	MODE_BLK.TARGET
5.2	MODE_BLK.ACTUAL
5.3	MODE_BLK.PERMITTED
5.4	MODE_BLK.NORMAL
6	BLOCK_ERR
10	TRANSDUCER_TYPE
11	XD_ERROR
13.1	FINAL_VALUE.STATUS
13.2	FINAL_VALUE.VALUE
17.1	FINAL_POSITION_VALUE.STATUS
17.2	FINAL_POSITION_VALUE.VALUE
32.1	SETPOINT_D.STATUS
32.2	SETPOINT_D.VALUE

Table 4-16. Transducer Block, View 2

Index Number	Parameter
1	ST_REV
10	TRANSDUCER_TYPE
14.1	FINAL_VALUE_RANGE.EU_100
14.2	FINAL_VALUE_RANGE.EU_0
14.3	FINAL_VALUE_RANGE.UNITS_INDEX
14.4	FINAL_VALUE_RANGE.DECIMAL
15	FINAL_VALUE_CUTOFF_HI
16	FINAL_VALUE_CUTOFF_LO
18	SERVO_GAIN
19	SERVO_RESET
20	SERVO_RATE
21	ACT_FAIL_ACTION
40.1	GRANT_DENY.GRANT
40.2	GRANT_DENY.DENY
50	INPUT_CHAR



**Note**

Because individual views are limited in size, View Lists 3 and 4 have multiple parts.

**Table 4-17. Transducer Block, View 3.1**

Index Number	Parameter
1	ST_REV
5.1	MODE_BLOCK.TARGET
5.2	MODE_BLOCK.ACTUAL
5.3	MODE_BLOCK.PERMITTED
5.4	MODE_BLOCK.NORMAL
6	BLOCK_ERR
10	TRANSDUCER_TYPE
11	XD_ERROR
13.1	FINAL_VALUE.STATUS
13.2	FINAL_VALUE.VALUE
17.1	FINAL_POSITION_VALUE.STATUS
17.2	FINAL_POSITION_VALUE.VALUE
32.1	SETPOINT_D.STATUS
32.2	SETPOINT_D.VALUE
35.1	SUPPLY_PRESSURE.STATUS
35.2	SUPPLY_PRESSURE.VALUE
36.1	PRESSURE_A.STATUS
36.2	PRESSURE_A.VALUE
37.1	PRESSURE_B.STATUS
37.2	PRESSURE_B.VALUE
38.1	PRESSURE_DIFF.STATUS
38.2	PRESSURE_DIFF.VALUE
48	TEMPERATURE
49	TRAVEL_TARGET
52	TRAVEL_DEVIATION
53	DRIVE_SIGNAL
54	DRIVE_CURRENT
55	MLFB
59	FAILED_ACTIVE
60	MAINT_ACTIVE
61	ADVISE_ACTIVE
71	RECOMMEND_ACTION
72	TRAVEL_ACCUM
73	CYCLE_COUNT
75.1	INST_ALERTS_ENABLE.ELECT_ENABLE
75.2	INST_ALERTS_ENABLE.SENSOR_ENABLE
75.3	INST_ALERTS_ENABLE.ENVIRO_ENABLE
75.4	INST_ALERTS_ENABLE.TRAVEL_ENABLE
75.5	INST_ALERTS_ENABLE.PROX_ENABLE
75.6	INST_ALERTS_ENABLE.TVL_HISTORY_ENABLE
75.7	INST_ALERTS_ENABLE.PERF_ENABLE

**Table 4-18. Transducer Block, View 3.2**

Index Number	Parameter
1	ST_REV
74.1	INST_ALERTS_ACTIVE.ELECT_ACTIVE
74.2	INST_ALERTS_ACTIVE.SENSOR_ACTIVE
74.3	INST_ALERTS_ACTIVE.ENVIRO_ACTIVE
74.4	INST_ALERTS_ACTIVE.TRAVEL_ACTIVE
74.5	INST_ALERTS_ACTIVE.PROX_ACTIVE
74.6	INST_ALERTS_ACTIVE.TVL_HISTORY_ACTIVE
74.7	INST_ALERTS_ACTIVE.PERF_ACTIVE
74.8	INST_ALERTS_ACTIVE.PD_EVENT_ACTIVE
74.9	INST_ALERTS_ACTIVE.PD_DETAIL1_ACTIVE
74.10	INST_ALERTS_ACTIVE.PD_DETAIL2_ACTIVE
74.11	INST_ALERTS_ACTIVE.PD_DETAIL3_ACTIVE
74.12	INST_ALERTS_ACTIVE.PD_DETAIL4_ACTIVE
74.13	INST_ALERTS_ACTIVE.PD_DETAIL5_ACTIVE
78	SELFTEST_STATUS
79	HEALTH_INDEX
86.1	DEVICE_RECORD.TEMP_MAX
86.2	DEVICE_RECORD.TEMP_MAX_TIME
86.3	DEVICE_RECORD.TEMP_MIN
86.4	DEVICE_RECORD.TEMP_MIN_TIME
86.5	DEVICE_RECORD.SUPP_PRESS_MAX
86.6	DEVICE_RECORD.SUPP_PRESS_MAX_TIME
86.7	DEVICE_RECORD.SUPP_PRESS_MIN
86.8	DEVICE_RECORD.SUPP_PRESS_MIN_TIME

**Table 4-19. Transducer Block, View 4.1**

Index Number	Parameter
1	ST_REV
3	STRATEGY
4	ALERT_KEY
10	TRANSDUCER_TYPE
22	ACT_MAN_ID
23	ACT_MODEL_NUM
24	ACT_SN
25	VALVE_MAN_ID
26	VALVE_MODEL_NUM

Table 4-20. Transducer Block, View 4.2

Index Number	Parameter
1	ST_REV
27	VALVE_SN
28	VALVE_TYPE
29	XD_CAL_LOC
30	XD_CAL_DATE
31	XD_CAL_WHO
89	TEMPERATURE_UNITS
90	PRESSURE_UNITS
91	TVL_UNITS
92	LENGTH_UNITS
93	AREA_UNITS
94	SPRING_RATE_UNITS

Table 4-21. Transducer Block, View 4.3

Index Number	Parameter
1	ST_REV
39	PWA_SIMULATE
41.1	TVL_PRESS_CONTROL.TVL_PRESS_SELECT
41.2	TVL_PRESS_CONTROL.TVL_PRESS_STATE
42.1	BASIC_SETUP.ACTUATOR_STYLE
42.2	BASIC_SETUP.ZERO_PWR_COND
42.3	BASIC_SETUP.TRAVEL_SEN_MOTION
42.4	BASIC_SETUP.FEEDBACK_CONN
42.5	BASIC_SETUP.RELAY_TYPE
42.6	BASIC_SETUP.MAX_SUPP_PRESS
42.7	BASIC_SETUP.PRESS_RANGE_HI
42.8	BASIC_SETUP.PRESS_RANGE_LO
42.9	BASIC_SETUP.TVL_CAL_TRIGGER
42.10	BASIC_SETUP.TVL_TUNING_SET
42.11	BASIC_SETUP.PRESS_TUNING_SET
44.1	TRAVEL_TUNE.TVL_INTEG_ENABLE
44.2	TRAVEL_TUNE.TVL_INTEG_LIM_HI
44.3	TRAVEL_TUNE.TVL_INTEG_LIM_LO
44.4	TRAVEL_TUNE.TVL_INTEG_DEADZ
44.5	TRAVEL_TUNE.TVL_MLFB_GAIN
47.1	PRESS_TUNE.PRESS_CUTOFF_HI
47.2	PRESS_TUNE.PRESS_CUTOFF_LO
47.3	PRESS_TUNE.PRESS_PROP_GAIN
47.4	PRESS_TUNE.PRESS_INTEG_GAIN
47.5	PRESS_TUNE.PRESS_RATE_GAIN
47.6	PRESS_TUNE.PRESS_INTEG_DEADZ
47.7	PRESS_TUNE.PRESS_INTEG_HI_LIM
47.8	PRESS_TUNE.PRESS_INTEG_LO_LIM
47.9	PRESS_TUNE.PRESS_INTEG_IC_HI
47.10	PRESS_TUNE.PRESS_INTEG_IC_LO
47.11	PRESS_TUNE.PRESS_MLFB_GAIN
62	FAILED_ENABLE
63	MAINT_ENABLE
64	ADVISE_ENABLE
65	FAILED_MASK
66	MAINT_MASK

-continued-

Table 4-21. Transducer Block, View 4.3 (continued)

Index Number	Parameter
67	ADVISE_MASK
68	FAILED_PRI
69	MAINT_PRI
70	ADVISE_PRI

Table 4-22. Transducer Block, View 4.4

Index Number	Parameter
1	ST_REV
76.1	INST_ALERTS_CONFIG.SHUTDOWN_TRIGGER
76.2	INST_ALERTS_CONFIG.SHUTDOWN_RECOVERY
76.3	INST_ALERTS_CONFIG.OUTPUT_BLK_TIMEOUT
76.4	INST_ALERTS_CONFIG.DRIVE_CURRENT_ALRT_PT
76.5	INST_ALERTS_CONFIG.DRIVE_CURRENT_TIME
76.6	INST_ALERTS_CONFIG.TEMP_HI_ALRT_PT
76.7	INST_ALERTS_CONFIG.TEMP_LO_ALRT_PT
76.8	INST_ALERTS_CONFIG.SUP_PRES_HI_ALRT_PT
76.9	INST_ALERTS_CONFIG.SUP_PRES_LO_ALRT_PT
77.1	INST_ALERTS_CONFIG2.TVL_DEV_ALRT_PT
77.2	INST_ALERTS_CONFIG2.TVL_DEV_TIME
77.3	INST_ALERTS_CONFIG2.TVL_DEV_DB
77.4	INST_ALERTS_CONFIG2.TVL_ACCUM_ALRT_PT
77.5	INST_ALERTS_CONFIG2.TVL_ACCUM_DB
77.6	INST_ALERTS_CONFIG2.CYCLE_COUNT_ALRT_PT
77.7	INST_ALERTS_CONFIG2.CYCLE_COUNT_DB
77.8	INST_ALERTS_CONFIG2.TVL_OPEN_ALRT_PT
77.9	INST_ALERTS_CONFIG2.TVL_OPEN_DB
77.10	INST_ALERTS_CONFIG2.TVL_CLOSED_ALRT_PT
77.11	INST_ALERTS_CONFIG2.TVL_CLOSED_DB
77.12	INST_ALERTS_CONFIG2.TVL_LO_LO_ALRT_PT
77.13	INST_ALERTS_CONFIG2.TVL_LO_LO_DB
77.14	INST_ALERTS_CONFIG2.TVL_LO_ALRT_PT
77.15	INST_ALERTS_CONFIG2.TVL_LO_DB
77.16	INST_ALERTS_CONFIG2.TVL_HI_ALRT_PT
77.17	INST_ALERTS_CONFIG2.TVL_HI_DB
77.18	INST_ALERTS_CONFIG2.TVL_HI_HI_ALRT_PT
77.19	INST_ALERTS_CONFIG2.TVL_HI_HI_DB
82	UPGRADE_PROGRESS
87	PROTECTION

Table 4-23. Transducer Block View, 4.5

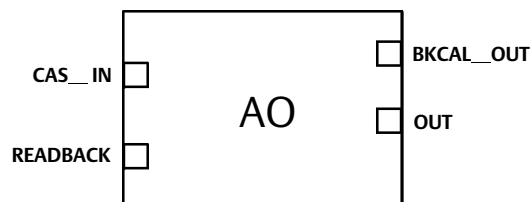
Index Number	Parameter
1	ST_REV
95.1	MAI_CHANNEL_1
95.2	MAI_CHANNEL_2
95.3	MAI_CHANNEL_3
95.4	MAI_CHANNEL_4
95.5	MAI_CHANNEL_5
95.6	MAI_CHANNEL_6
95.7	MAI_CHANNEL_7
95.8	MAI_CHANNEL_8
96	OUTBLOCK_SEL
97	PWA_SET_STATUS

# Analog Output Function Block

## Overview

The Analog Output (AO) function block (figure 4-6) assigns an output value to a field device through a specified I/O channel. The block supports mode control, signal status calculation, and simulation. Figure 4-7 illustrates the internal components of the AO function block, and table 4-25 lists the definitions of the block parameters. The digital valve controller measures and uses actual valve position for READBACK [16].

Figure 4-6. Analog Output (AO) Function Block



**CAS\_IN** = The remote setpoint value from another function block.

**BKCAL\_OUT** = The value and status required by the BKCAL\_IN input of another block to prevent reset windup and to provide bumpless transfer to closed loop control.

**OUT** = The block output and status.

**READBACK** = Actual valve position.

B2716-1

### Note

The AO block actual mode will not move to Auto unless:

- Resource Block actual mode is Auto, and
- AO SHED\_OPT [27] is set to a non-zero value.

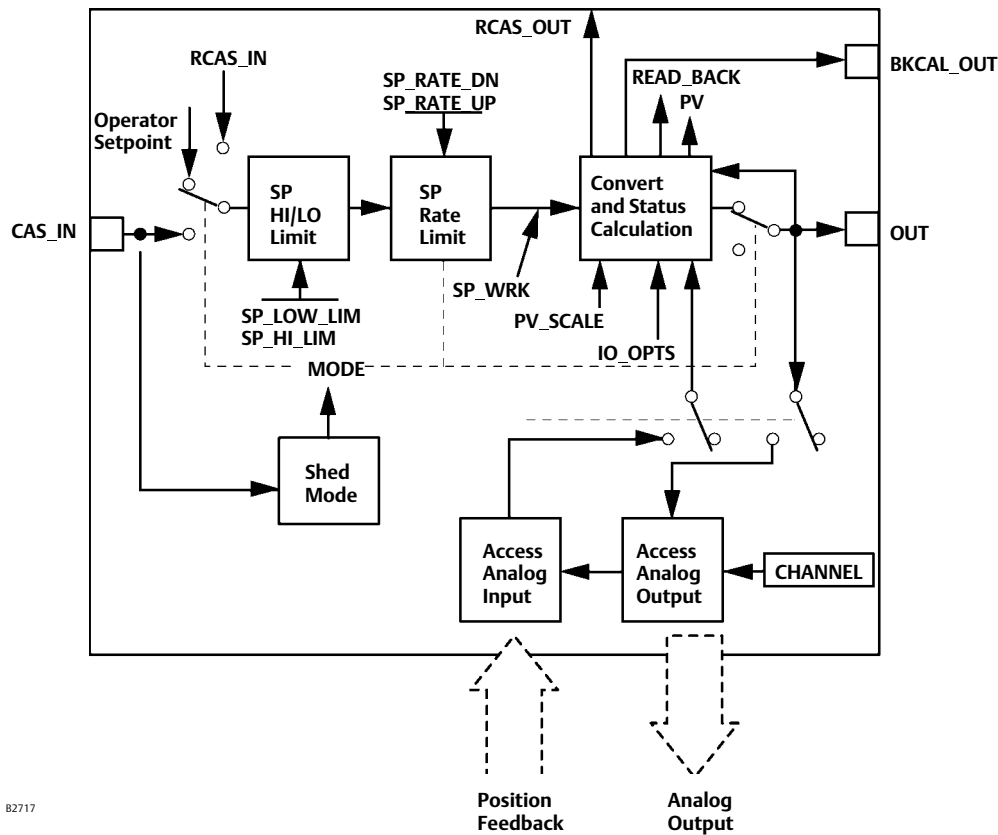
### Note

Actual Block Mode (MODE\_BLK.ACTUAL [5.2]) will remain out of service and the block cannot be scheduled if the block has not been licensed. Contact your Emerson Process Management sales office to upgrade product licensing.

### Note

Actual Block Mode (MODE\_BLK.ACTUAL [5.2]) will remain in IMAN and the block Readback status will be Bad - Not Connected if the Output Block Selection is set incorrectly. From the transducer block method Outblock Selection, select the desired output block, see page 45.

Figure 4-7. Analog Output Function Block Schematic



## Modes

The Analog Output function block supports the following modes:

- **Manual (Man)**—You can manually set the output to the I/O channel through the OUT [9] attribute. This mode is used primarily for maintenance, calibration and diagnostics.
- **Automatic (Auto)**—The block output (OUT [9]) reflects the target operating point specified by the setpoint (SP [8]) attribute. Typically the setpoint is set by the user.
- **Cascade (Cas)**—The SP [8] attribute is set by another function block through a connection to CAS\_IN [17]. The SP [8] value is used to set the OUT [9] attribute automatically. This is the most frequently used mode in the digital valve controller.

### Note

The transducer block must be in Auto for the mode to go to AUTO, CAS, MAN, or RCAS.

- **RemoteCascade (RCas)**—The SP [8] is set by a host computer by writing to the RCAS\_IN [28] parameter. The SP [8] value is used to set the OUT [9] attribute automatically.

- **Out of Service (OOS)**—The block is not processed. The output channel is maintained at the last value and the status of OUT [9] is set to Bad: Out of Service. The BLOCK\_ERR [6] attribute shows Out of Service.
- **Initialization Manual (Iman)**—The path to the output hardware is broken and the AO block output will remain at the last position. This means the transducer block mode is Out of Service or Manual or configured to respond to the DO block.
- **Local Override (LO)**—The output of the block is not responding to inputs because the fault state action is active. OUT [9] freezes or goes to value per IO\_OPTS [14].

The target mode of the block may be restricted to one or more of the following modes: Man, Auto, Cas, RCas, or OOS.

## Mode Handling

### Shed Options—RCAS Mode Only

Automatically changing through the permitted modes when starting from a remote mode, fall from (or shed) or climb to a remote mode is determined by the parameter SHED\_OPT [27]. A block climbs and sheds through the same path. For example, if SHED\_OPT [27] specifies that a block should shed to Auto, then, if the block target mode is set to RCas, the block goes through Auto on the way to RCas.

When the block is in Cas mode and the CAS\_IN [17] input goes bad, the block sheds mode to the next lower permitted mode.

You can configure the shed option as follows:

### Shed With Return Options

Remote cascade connection failure shifts actual mode but keeps trying to restore remote cascade (in other words, the remote cascade target mode stays in effect).

---

#### Note

During Shed with Return Options, the actual mode is changed, while the target mode stays the same.

---

**Normal**—On failure of a remote cascade connection the block attempts to attain the highest permitted non-remote mode until remote cascade is restored. Cas is the highest permitted non-remote mode and Auto is the next permitted non-remote mode. If Cas or Auto are not available, the block will shed by default to Man.

**Retained Target**—The retained target mode is the previous target mode before it was changed to RCAS or ROUT. On failure of a remote cascade connection the block attempts to attain the retained target mode.

**Auto**—On failure of a remote cascade connection the block attempts to attain Auto, if permitted, until remote cascade is restored.

**Man**—On failure of a remote cascade connection the block sheds to Man until a remote cascade connection is restored.

### Shed With No Return Options

---

#### Note

During Shed with No Return Options, the target mode is changed, while the actual mode stays the same.

---

For any shed with no return option, the target mode changes as determined by the option. Therefore, there is no attempt to restore the connection following failure. The behavior on change to the remote cascade target mode is identical to that for Shed With Return Options.

**Normal**—On failure of a remote cascade connection the block sets the target mode to the highest permitted non-remote mode. Cas is the highest permitted non-remote mode and Auto is the next highest permitted non-remote mode. If Cas or Auto are not available, the block will shed by default to Man.

**Retained Target**—The retained target mode is the previous target mode before it was changed to RCAS or ROUT. On failure of a remote cascade connection the block sets the target mode to the retained target mode.

**Auto**—On failure of a remote cascade connection, the block sets the target mode to Auto, if permitted.

**Man**—On failure of remote cascade connection, the block sets the target mode to Man, if permitted.

The user may configure SHED\_OPT [27] so that it calls for a target mode that is not permitted. When doing this, the mode logic uses the following rules as applied by the remote logic:

- Shed logic never results in a non-permitted target mode.
- Shed logic never attempts to attain an actual mode of Auto or Cas if that mode is not permitted.

## Status Handling

Output or readback fault detection is reflected in the status of PV [7], OUT [9], and BKCAL\_OUT [25]. A limited SP [8] condition is reflected in the BKCAL\_OUT [25] status. When simulation is enabled through the SIMULATE [10] attribute, you can set the value and status for PV [7] and READBACK [16].

When the block is in Cas mode and the CAS\_IN [17] input goes bad, the block sheds mode to the next permitted mode.

## Setting the Output

To set the output for the AO block, you must first set the mode to define the manner in which the block determines its setpoint. In Manual mode the value of the output attribute (OUT [9]) must be set manually by the user, and is independent of the setpoint. In Automatic mode, OUT [9] is set automatically based on the value specified by the set point (SP [8]) in engineering units and the I/O Options attribute. In addition, you can limit the SP [8] value and the rate at which a change in the SP [8] is passed to OUT [9].

In Cascade mode, the cascade input connection (CAS\_IN [17]) is used to update the SP [8]. The back calculation output (BKCAL\_OUT [25]) is wired to the back calculation input (BKCAL\_IN [27]) of the upstream block that provides CAS\_IN [17]. This provides bumpless transfer on mode changes and windup protection in the upstream block.

---

### Note

You must wire BKCAL\_OUT [25] to BKCAL\_IN [27] of the upstream block that provides CAS\_IN [17]. Otherwise, the AO will not initialize properly, and the setpoint at CAS\_IN [17] will not be passed to OUT [9].

---

An analog readback value, such as valve position, is shown by the process value (PV [7]) attribute in engineering units.

To support testing, you can enable simulation, which allows you to manually set the channel feedback. There is no alarm detection in the AO function block.

To select the manner of processing the SP and the channel output value configure the setpoint limiting options, the tracking options, and the conversion and status calculations.

## Output Block PV Status

The Output Block PV Status is determined by the value of the PlantWeb Alerts Set PV Status parameter in the transducer block (PWA\_SET\_STATUS [97]), the Transducer Block mode, and enabled Active PlantWeb alarms. Refer to table 4-11.

## Set Point Selection and Limiting

To select the source of the SP [8] value use the MODE [5] attribute. In Automatic (Auto) mode, the local, manually-entered SP [8] is used. In Cascade (Cas) mode, the SP [8] comes from another block through the CAS\_IN [17] input connector. In RemoteCascade (RCas) mode, the SP [8] comes from a host computer that writes to RCAS\_IN [28]. The range and units of the SP [8] are defined by the PV\_SCALE [11] attribute.

In Manual (Man) mode the SP [8] automatically tracks the PV [7] value when you select the SP-PV Track in Man I/O option in IO\_OPTS [14]. This option can be used to minimize valve movement when the AO block is transitioned from Manual mode to Auto. You can disable this option in OOS mode only.

The SP [8] value is limited to the range defined by the setpoint high limit attribute (SP\_HI\_LIM [20]) and the setpoint low limit attribute (SP\_LO\_LIM [21]).

In Auto mode, the rate at which a change in the SP [8] is passed to OUT [9] is limited by the values of the setpoint upward rate limit attribute (SP\_RATE\_UP [19]) and the setpoint downward rate limit attribute (SP\_RATE\_DN [18]). A limit of zero disables rate limiting.

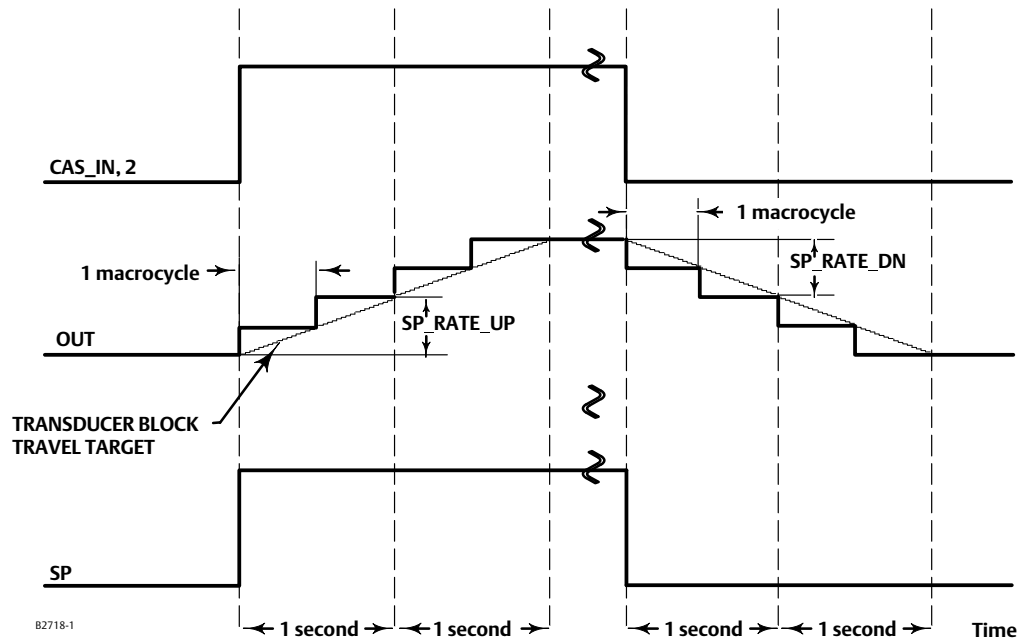
As shown in figure 4-8, the block executes a percentage of the set point change each macrocycle. For example, if the set point rate is set at 10% per second and the macrocycle is 500 milliseconds (0.5 seconds or 50% of 1 second), then during the first macrocycle the set point will change 5% (50% of the 10% per second rate). If the macrocycle is 750 milliseconds (0.75 seconds or 75% of 1 second), then during the first macrocycle the setpoint will change 7.5% (75% of 10).

When the transducer block receives the setpoint change from an AO block with rate limits, it will smoothly move the valve to the requested setpoint at the rate limit configured in the AO block.

In Auto mode, the converted SP [8] value is stored in the OUT [9] attribute. In Man mode, the OUT [9] attribute is set manually, and is used to set the analog output defined by the CHANNEL [22] parameter.

You can access the actuator position associated with the output channel through the READBACK [16] parameter (in OUT units) and in the PV [7] attribute (in engineering units). The digital valve controller supports position feedback and therefore provides the actual valve position in PV [7] and READBACK [16] directly.

Figure 4-8. Analog Output Function Block Timing Diagram



## Action On Fault Detection

To define the action you wish the valve to take when the block is in CAS mode, and the CAS\_IN [17] input detects a communication failure, or is commanded to go to fault state by the upstream block or the resource block, configure the following parameters:

**IO\_OPTS [14]:** Determines the action OUT [9] will take upon a fault state. If the IO\_OPTS [14] “Fault State to Value” is not selected, then OUT [9] holds its last position when Fault State is set. If “Fault State to Value” is selected, OUT [9] goes to the FSTATE\_VAL [24] value when Fault State is set.

**FSTATE\_TIME [23]:** The length of time, in seconds, that the AO block will wait to set Fault State. When Fault State is set, the OUT [9] value goes to either the FSTATE\_VAL [24] value or holds its last position, depending on IO\_OPTS [14]. When the block has a target mode of CAS, a fault condition will be detected if the CAS\_IN [17] has a BAD status or an Initiate Fault State substatus is received from the upstream block.

**FSTATE\_VAL [24]:** Determines the OUT [9] value if IO\_OPTS “Fault State to Value” is selected. The OUT [9] value transitions to FSTATE\_VAL [24] after FSTATE\_TIME [23] elapses and the fault condition has not cleared.

## I/O Options

The I/O options parameter (IO\_OPTS [14]) allows you to select how the I/O signals are processed. You can set I/O options in Out of Service mode only. The following I/O options are available in the AO block:

**Use PV for BKCAL\_OUT**—Changes the BKCAL\_OUT [25] value to the PV [7] value. When the Use PV for BKCAL\_OUT option is not enabled (False), the BKCAL\_OUT [25] value is the working setpoint value.

**Target to Man if Fault State Activated**—Set the target mode to Man, thus losing the original target, if Fault State is activated. This latches an output block into the manual mode.



**Use Fault State value on Restart**—Use the value of FSTATE\_VAL [24] for SP [8] when power is restored or if the device is restarted, otherwise use the last value saved in non-volatile memory. This does not act like Fault State, it only uses the value of FSTATE\_VAL [24].

**Fault State to Value**—The output action to take when a fault occurs (if not selected, use hold last value; if selected, use FSTATE\_VAL [24]).

**Increase to Close**—If the Increase to Close bit is set the value to the transducer is inverted, e.g. 20% becomes 80%.

**SP-PV Track in Man**—Permits the setpoint to track the process variable when the target mode of the block is MAN.

**SP-PV Track in LO or IMan**—Permits the setpoint to track the process variable when the actual mode of the block is LO or IMan.

**SP Track retained Target**—Permits the setpoint to track the RCAs or Cas parameter based on the retained target mode when the actual mode of the block is LO or Man. When SP-PV track options are enabled, the SP Track retained target will have precedence in the selection of the value to track when the actual mode is Man and LO.

## Simulation

When simulate is active, the transducer sub-parameters show the actual transducer block status and value as normally passed back to the AO block. The Simulate sub-parameters are writable and replace actual transducer values.

---

### Note

When simulate is active, the output block no longer writes values to the transducer block. If the Output Blk Timeout period is exceeded, the transducer block may move the valve to the Zero Power Condition depending on the configuration of the Output Block Timeout Alert.

---

## Application Information

The configuration of an AO function block and its associated output channels depends on the specific application. A typical configuration for the Analog Output involves the following attributes:

PV_SCALE	Set the range and engineering units to values that correspond to the operation range. For the digital valve controller, PV_SCALE [11] is typically set between 0 and 100%.
BKCAL_OUT	If you are using the CAS_IN [17] connector wired from another block, wire the BKCAL_OUT [25] attribute to the other block's BKCAL_IN [27] attribute.
IO_OPTS	Set the type of tracking and action upon fault state.
SHED_OPT	Set the action to be taken when the set point or output are not updated in a remote mode.

## Block Errors

Table 4-24 lists conditions reported in the BLOCK\_ERR [6] parameter. Conditions in *italics* are not applicable for the AO block and are provided only for your reference.

Table 4-24. BLOCK\_ERR Conditions

Condition Number	Condition Name and Description
0	Other (N/A)
1	Block Configuration Error - CHANNEL and SHED_OPT set to 0
2	Link Configuration Error (N/A)
3	Simulate active - Simulation is enabled and the block is using a simulated value in its execution.
4	Local Override - Device in fault state. Actual mode LO.
5	Device Fault State Set - AO block in fault state after FSTATE_TIME because of Bad status or IFS substatus on CAS_IN or Resource block commanded fault state.
6	Device Needs Maintenance Soon - Indicates a Maintenance PlantWeb Alert condition is active if Block Error Reporting is enabled. See page 62.
7	Input failure/process variable has Bad status (N/A)
8	Output failure - PV has bad status.
9	Memory Failure (N/A)
10	Lost Static Data (N/A)
11	Lost NV Data (N/A)
12	Readback Check Failed (N/A)
13	Device Needs Maintenance Now - Indicates Failed PlantWeb Alert condition is active if Block Error Reporting is enabled. See page 62.
14	Power Up - This condition exists after power up until actual mode is not Out of Service.
15	Out of Service - The block is in Out of Service (OOS) mode.

## AO Function Block Parameter List (table 4-25)

- Read/Write Capability: RO - Read Only, RW - Read Write
- Mode: The block mode(s) required to write to the parameter
- Double indentation and shaded Index Number indicates sub-parameter

Table 4-25. Analog Output Function Block Parameter Definitions

Label PARAMETER_NAME	Index Number	RO / RW	Block Mode	Range	Initial Value	Description
Static Revision ST_REV	1	RO	N/A	0 to 65535	0	Data Type: Unsigned16 The revision level of the static data associated with the function block. The revision value will be incremented each time a static parameter value in the block is changed.
Tag Description TAG_DESC	2	RW	ALL	7 bit ASCII	Spaces	Data Type: Octet String The user description of the intended application of the block.
Strategy STRATEGY	3	RW	ALL	0 to 65535	0	Data Type: Unsigned16 The strategy field can be used to identify grouping of blocks. This data is not checked or processed by the block.
Alert Key ALERT_KEY	4	RW	ALL	1 to 255	0	Data Type: Unsigned8 The identification number of the plant unit. This information may be used in the host for sorting alarms, etc.

-Continued-

Table 4-25. Analog Output Function Block Parameter Definitions (Continued)

Label PARAMETER_NAME	Index Number	RO / RW	Block Mode	Range	Initial Value	Description
Block Mode MODE_BLK	5					Data Type: DS-69 Valid Bits: 7: OOS, 6: IMAN, 5: LO, 4: MAN, 3: AUTO, 2: CAS, 1: RCAS The actual, target, permitted, and normal modes of the block. Target: The requested block mode Actual: The current mode of the block (Note: Bit 6 (IMAN) is valid for ACTUAL only) Permitted: Allowed modes for Target Normal: Most common mode for Target
TARGET	5.1	RW	ALL	OOS MAN AUTO AUTO-CAS AUTO-RCAS	OOS until block is configured, then last valid target	
ACTUAL	5.2	RO	ALL		OOS	
PERMITTED	5.3	RW	ALL	OOS+MAN+AUTO+ CAS+RCAS	OOS+MAN+A UTO+ CAS+RCAS	
NORMAL	5.4	RW	ALL		AUTO	
Block Error BLOCK_ERR	6	RO	N/A	1: Block Configuration Error 3: Simulate Active 4: Local Override 5: Device Fault State Set 8: Output Failure 14: Power-up 15: Out-of-Service	Dynamic	Data Type: Bit String (2 byte) 0=inactive 1=active This parameter reflects the error status associated with the hardware or software components associated with a block. It is a bit string, so that multiple errors may be shown. See table 4-24.
Process Variable PV	7	RO	N/A	PV Status set equal to READBACK status	Dynamic	Data Type: DS-65 The process variable used in block execution. This value is converted from READBACK to show the actuator position in the same units as the setpoint value.
Set Point SP	8		OOS MAN AUTO	PV_SCALE +/- 10%	Dynamic	Data Type: DS-65 The SP of the analog block. Can be derived from CAS_IN, RCAS_IN in normal modes, or can track PV in MAN, IMan or LO modes. IO_OPTS is used to determine value of SP in MAN, IMan or LO. If no IO_OPTS for SP tracking are set, SP will freeze when mode changes from CAS or RCAS.
Output OUT	9		MAN OOS	OUT_SCALE +/- 10%	Dynamic	Data Type: DS-65 The primary value and status calculated by the block in Auto mode. OUT may be set manually in Man mode.
Simulate SIMULATE	10					Data Type: DS-82 Allows the analog input to be manually supplied when simulate is enabled. When simulation is disabled, the simulate value and status track actual value & status.
SIMULATE_STATUS	10.1	RW	ALL		0	
SIMULATE_VALUE	10.2	RW	ALL		0	
TRANSDUCER_STATUS	10.3	RO	ALL		0	
TRANSDUCER_VALUE	10.4	RO	ALL		0	
ENABLE/DISABLE	10.5	RW	ALL	0: Not Initialized 1: Simulation Disable 2: Simulation Active	1: Simulation Disabled	
Process Value Scale PV_SCALE	11	RW	OOS	EU at 100% EU at 0% Units index Decimal Point	100 0 % 2	Data Type: DS-68 The high and low scale values, engineering units code, and number of decimal places to be used in displaying the PV parameter and parameters which have the same scaling as PV.
Transducer Scale XD_SCALE	12	RO	OOS	EU at 100% EU at 0% Units index Decimal Point	100 only 0 only % only 2	Data Type: DS-68 The high and low scale values and engineering units code are read only. This parameter determines the number of digits to the right of the decimal point used with the value obtained from the transducer for a specified channel.

-Continued-

Table 4-25. Analog Output Function Block Parameter Definitions (Continued)

Label PARAMETER_NAME	Index Number	RO / RW	Block Mode	Range	Initial Value	Description
Grant Deny GRANT_DENY	13					Data Type: DS-70 Options for controlling access of host computers and local control panels to operating, tuning, and alarm parameters of the block. GRANT: 1 = granted, 0 = N/A DENY: 1 = denied, 0 = N/A
GRANT	13.1	RW	ALL	0: Program 1: Tune 2: Alarm 3: Local	All bits: 0	
DENY	13.2	RW	ALL		All bits: 0	
I/O Options IO_OPTS	14		OOS	1: SP tracks PV in Man 3: SP tracks PV in LO or lman 4: SP Track retained target in Man or LO 5: Increase to Close 6: Fault State to value 0=freeze 1=go to Fault State value 7: Use Fault State value on restart 8: Target to Man if Fault State activated 9: Use PV for BKCAL_OUT 0=SP 1=PV	All bits: 0	Data Type: Bit String (2 byte) 0=disable 1=enable Allows you to select the type of tracking and the output value when a fault condition occurs.
Status Options STATUS_OPTS	15		OOS	4: Propagate Failure Backward	All bits: 0	Data Type: Bit String 0=disable 1=enable Options the user may select for the block processing of status.
Readback READBACK	16	RO	N/A	Status		Data Type: DS-65 Readback is the de-characterized valve position as reported by the transducer block parameter FINAL_POSITION_VALUE [17]. This correlates with the AO block parameter OUT [9], which is the setpoint to the transducer. READBACK is the simulated input if SIMULATE is enabled or the transducer block feedback if SIMULATE is disabled.
				Value	Dynamic	
Cascade Input CAS_IN	17		ALL	Status	BAD: NC: const	Data Type: DS-65 The setpoint value from another function block.
				Value	0	
Setpoint Rate Down SP_RATE_DN	18		ALL	Positive, 0 disables rate limiting PV units	+INF	Data Type: Float Ramp rate for downward set point changes. When the ramp rate is set to zero, the set point is used immediately.
Setpoint Rate Up SP_RATE_UP	19		ALL	Positive, 0 disables rate limiting PV units	+INF	Data Type: Float Ramp rate for upward set point changes. When the ramp rate is set to zero, the setpoint is used immediately.
Setpoint High Limit SP_HI_LIM	20		ALL	PV Scale +/- 10%	100	Data Type: Float The highest set point value allowed. SP_HI_LIM must be greater than SP_LO_LIM.
Setpoint Low Limit SP_LO_LIM	21		ALL	PV Scale +/- 10%	0	Data Type: Float The lowest set point value allowed. SP_LO_LIM must be less than SP_HI_LIM.
AO Channel CHANNEL	22		OOS	1=Setpoint	1=Setpoint	Data Type: Unsigned16 Defines which transducer parameter receives the AO output. Select Setpoint to control valve position.
Fault State Time FSTATE_TIME	23		ALL	Positive, seconds	0	Data Type: Float Time from failure detection to reaction if failure still exists.

-Continued-

Table 4-25. Analog Output Function Block Parameter Definitions (Continued)

Label PARAMETER_NAME	Index Number	RO / RW	Block Mode	Range	Initial Value	Description
Fault State Value FSTATE_VAL	24		ALL	PV Scale +/- 10%	0	Data Type: Float Preset value to use if I/O_OPTS Fault State to Value or Use Fault State Value on Restart is set.
Back Calculation Output BKCAL_OUT	25	RO	N/A	Status Limits	Dynamic	Data Type: DS-65 The value and status required by the BKCAL_IN input of another block to prevent reset windup and to provide bumpless transfer to closed loop control.
				Value		
Remote Cascade Input RCAS_IN	26		ALL	Status	BAD: NoCom: NoVal: const	Data Type: DS-65 Target SP and status by supervisory host
				Value	0 Trk	
Shed Options SHED_OPT	27		ALL	Defined by FF spec 0=Invalid 1=Normal Shed, Normal Return 2=Normal Shed, No Return 3=Shed to Auto, normal return 4=Shed to Auto, no return. Target mode changes to Auto on detection of a shed condition 5=Shed to Manual, normal return 6=Shed to Manual, No return. Target mode changes to MAN on detection of a shed condition. 7=Shed to retained target, normal return 8=Shed to retained target, no return. (Change target to retained target)	0	Data Type: Unsigned8 Defines the action to be taken when the set point is not updated in a remote mode.
Remote Cascade Output RCAS_OUT	28	RO	N/A	Status	Dynamic	Data Type: DS-65 Block set point and status after ramping
				Value		
Update Event UPDATE_EVT	29					Data Type: DS-73 This alert is generated by any changes to static data.
UNACKNOWLEDGED	29.1	RW	N/A	0:Undefined 1:Acknowledged 2:Unacknowledged	0: Undefined	
UPDATE_STATUS	29.2	RO	N/A	0:Undefined 1:Update reported 2:Update not reported	0: Undefined	
TIME_STAMP	29.3	RO	N/A		0	
STATIC_REVISION	29.4	RO	N/A		0	
RELATIVE_INDEX	29.5	RO	N/A		0	
Block Alarm BLOCK_ALM	30					Data Type: DS-72 The block alarm is used for all configuration, hardware, connection failure, or system problems in the block.
UNACKNOWLEDGED	30.1	RW	N/A	0:Undefined 1:Acknowledged 2:Unacknowledged	0: Undefined	
ALARM_STATE	30.2	RO	N/A	0:Undefined 1:Clear reported 2:Clear not reported 3:Active reported 4:Active not reported	0: Undefined	
TIME_STAMP	30.3	RO	N/A		0	
SUBCODE	30.4	RO	N/A		0	
VALUE	30.5	RO	N/A		0	

-Continued-

Table 4-25. Analog Output Function Block Parameter Definitions (Continued)

Label PARAMETER_NAME	Index Number	RO / RW	Block Mode	Range	Initial Value	Description
<b>Extended Parameters</b>						
StdDev STDDEV	31	RO	N/A	positive float	Dynamic	Data Type: Float Standard Deviation. To support DeltaV Variability measurement.
Cap StdDev CAP_STDDEV	32	RO	N/A	positive float	Dynamic	Data Type: Float Capability Standard Deviation. To support DeltaV Variability measurement.

## View Lists

View lists allow the values of a set of parameters to be accessed at the same time. Views 1 and 2 contain operating parameters and are defined by the Fieldbus Foundation. View 3 contains dynamic parameters and View 4 contains static parameters with configuration and maintenance information. Views 3 and 4 are defined by the manufacturer.

Table 4-26. AO Function Block, View 1

Index Number	Parameter
1	ST_REV
5.1	MODE_BLK.TARGET_MODE
5.2	MODE_BLK.ACTUAL_MODE
5.3	MODE_BLK.PERMITTED_MODE
5.4	MODE_BLK.NORMAL_MODE
6	BLOCK_ERR
7	PV
8	SP
9	OUT
16	READBACK
17	CAS_IN

Table 4-27. AO Function Block, View 2

Index Number	Parameter
1	ST_REV
11	PV_SCALE
12	XD_SCALE
13.1	GRANT_DENY.GRANT
13.2	GRANT_DENY.DENY
20	SP_HI_LIM
21	SP_LO_LIM

Table 4-28. AO Function Block, View 3

Index Number	Parameter
1	ST_REV
5.1	MODE_BLK.TARGET_MODE
5.2	MODE_BLK.ACTUAL_MODE
5.3	MODE_BLK.PERMITTED_MODE
5.4	MODE_BLK.NORMAL_MODE
6	BLOCK_ERR
7	PV
8	SP
9	OUT
16	READBACK
17	CAS_IN
25	BKCAL_OUT
26	RCAS_IN
28	RCAS_OUT
31	STDDEV
32	CAP_STDDEV

Table 4-29. AO Function Block, View 4

Index Number	Parameter
1	ST_REV
3	STRATEGY
4	ALERT_KEY
14	IO_OPTS
15	STATUS_OPTS
18	SP_RATE_DN
19	SP_RATE_UP
22	CHANNEL
23	FSTATE_TIME
24	FSTATE_VAL
27	SHED_OPT

# Field Communicator Menu Structure

## ANALOG OUTPUT FUNCTION BLOCK

### Quick Config

Alert Key  
 Process Value Scale: EU at 100%  
 Process Value Scale: EU at 0%  
 Process Value Scale: Units Index  
 Process Value Scale: Decimal  
 Simulate: Simulate Status  
 Simulate: Simulate Value  
 Simulate: Transducer Status  
 Simulate: Transducer Value  
 Simulate: Simulate En/Disable  
 Setpoint: Status  
 Setpoint: Value  
 Setpoint High Limit  
 Setpoint Low Limit

### Common Config

Alert Key  
 I/O Options  
 Block Mode: Target  
 Block Mode: Actual  
 Block Mode: Permitted  
 Block Mode: Normal  
 Process Value Scale: EU at 100%  
 Process Value Scale: EU at 0%  
 Process Value Scale: Units Index  
 Process Value Scale: Decimal  
 Setpoint: Status  
 Setpoint: Value  
 Setpoint High Limit  
 Setpoint Low Limit

### Advanced Config

Fault State Time  
 Fault State Value  
 Shed Options  
 Simulate: Simulate Status  
 Simulate: Simulate Value  
 Simulate: Transducer Status  
 Simulate: Transducer Value  
 Simulate: Simulate En/Disable  
 Setpoint Rate Down  
 Setpoint Rate Up  
 Static Revision  
 Status Options  
 Strategy  
 Transducer Scale: EU at 100%  
 Transducer Scale: EU at 0%  
 Transducer Scale: Units Index  
 Transducer Scale: Decimal

### I/O Reference

AO Channel

### Connectors

Back Calculation Output: Status  
 Back Calculation Output: Value  
 Cascade Input: Status  
 Cascade Input: Value  
 Output: Status  
 Output: Value

### Online

Back Calculation Output: Status  
 Back Calculation Output: Value  
 Block Error  
 Cascade Input: Status  
 Cascade Input: Value  
 Block Mode: Target  
 Block Mode: Actual  
 Block Mode: Permitted  
 Block Mode: Normal  
 Output: Status  
 Output: Value  
 Process Value: Status  
 Process Value: Value  
 Remote Cascade Input: Status  
 Remote Cascade Input: Value  
 Remote Cascade Output: Status  
 Remote Cascade Output: Value  
 Readback: Status  
 Readback: Value  
 Setpoint: Status  
 Setpoint: Value

### Status

Block Error

### Other

Tag Description  
 Grant Deny: Grant  
 Grant Deny: Deny  
 Update Event: Unacknowledged  
 Update Event: Update State  
 Update Event: Time Stamp  
 Update Event: Static Rev  
 Update Event: Relative Index  
 Block Alarm: Unacknowledged  
 Block Alarm: Alarm State  
 Block Alarm: Time Stamp  
 Block Alarm: Subcode  
 Block Alarm: Value  
 StdDev  
 Cap StdDev

### All

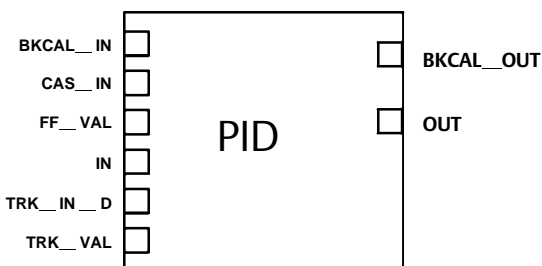
Characteristics  
 Static Revision  
 Tag Description  
 Strategy  
 Alert Key  
 Block Mode: Target  
 Block Mode: Actual  
 Block Mode: Permitted  
 Block Mode: Normal  
 Block Error  
 Process Value: Status  
 Process Value: Value  
 Setpoint: Status  
 Setpoint: Value  
 Output: Status  
 Output: Value  
 Simulate: Simulate Status  
 Simulate: Simulate Value  
 Simulate: Transducer Status  
 Simulate: Transducer Value  
 Simulate: Simulate En/Disable  
 Process Value Scale: EU at 100%  
 Process Value Scale: EU at 0%  
 Process Value Scale: Units Index  
 Process Value Scale: Decimal  
 Transducer Scale: EU at 100%  
 Transducer Scale: EU at 0%  
 Transducer Scale: Units Index  
 Transducer Scale: Decimal  
 Grant Deny: Grant  
 Grant Deny: Deny  
 I/O Options  
 Status Options  
 Readback: Status  
 Readback: Value  
 Cascade Input: Status  
 Cascade Input: Value  
 Setpoint Rate Down  
 Setpoint Rate Up  
 Setpoint High Limit  
 Setpoint Low Limit  
 AO Channel  
 Fault State Time  
 Fault State Value  
 Back Calculation Output: Status  
 Back Calculation Output: Value  
 Remote Cascade Input: Status  
 Remote Cascade Input: Value  
 Shed Options  
 Remote Cascade Output: Status  
 Remote Cascade Output: Value  
 Update Event: Unacknowledged  
 Update Event: Update State  
 Update Event: Time Stamp  
 Update Event: Static Rev  
 Update Event: Relative Index  
 Block Alarm: Unacknowledged  
 Block Alarm: Alarm State  
 Block Alarm: Time Stamp  
 Block Alarm: Subcode  
 Block Alarm: Value  
 StdDev  
 Cap StdDev

## PID Function Block

### Overview

The PID function block (figure 4-9) combines all of the necessary logic to perform proportional/integral/derivative (PID) control. The block supports mode control, signal scaling and limiting, feedforward control, override tracking, alarm limit detection, and signal status propagation.

Figure 4-9. Proportional+Integral+Derivative (PID) Function Block



**BKCAL\_IN** = THE ANALOG INPUT VALUE AND STATUS FROM ANOTHER BLOCK'S BKCAL\_OUT OUTPUT THAT IS USED FOR BACKWARD OUTPUT TRACKING FOR BUMPLESS TRANSFER AND TO PASS LIMIT STATUS.

**CAS\_IN** = THE REMOTE SETPOINT VALUE FROM ANOTHER FUNCTION BLOCK.

**FF\_VAL** = THE FEEDFORWARD CONTROL INPUT VALUE AND STATUS.

**IN** = THE CONNECTION FOR THE PROCESS VARIABLE FROM ANOTHER FUNCTION BLOCK.

**TRK\_IN\_D** = INITIATES THE EXTERNAL TRACKING FUNCTION.

**TRK\_VAL** = THE VALUE AFTER SCALING APPLIED TO OUT IN LOCAL OVERRIDE MODE.

**BKCAL\_OUT** = THE VALUE AND STATUS REQUIRED BY THE BKCAL\_IN INPUT OF ANOTHER FUNCTION BLOCK TO PREVENT RESET WINDUP AND TO PROVIDE BUMPLESS TRANSFER TO CLOSED LOOP CONTROL.

**OUT** = THE BLOCK OUTPUT AND STATUS.

B2720

The block supports two forms of the PID equation: Standard and Series. You can choose the appropriate equation using the MATHFORM [70] parameter. The Standard ISA PID equation is the default selection.

$$\text{Standard Out} = \text{GAIN} \times \text{ex} \times \left( 1 + \frac{1}{\tau_i s + 1} + \frac{\tau_d s}{\alpha \times \tau_d s + 1} \right) + 1$$

$$\text{Series Out} = \text{GAIN} \times \text{ex} \times \left[ \left( 1 + \frac{1}{\tau_i s} \right) + \left( \frac{\tau_d s + 1}{\alpha \times \tau_d s + 1} \right) \right] + 1$$

where

**GAIN:** proportional gain value

**$\tau_i$ :** integral action time constant (RESET parameter) in seconds

**s:** laplace operator

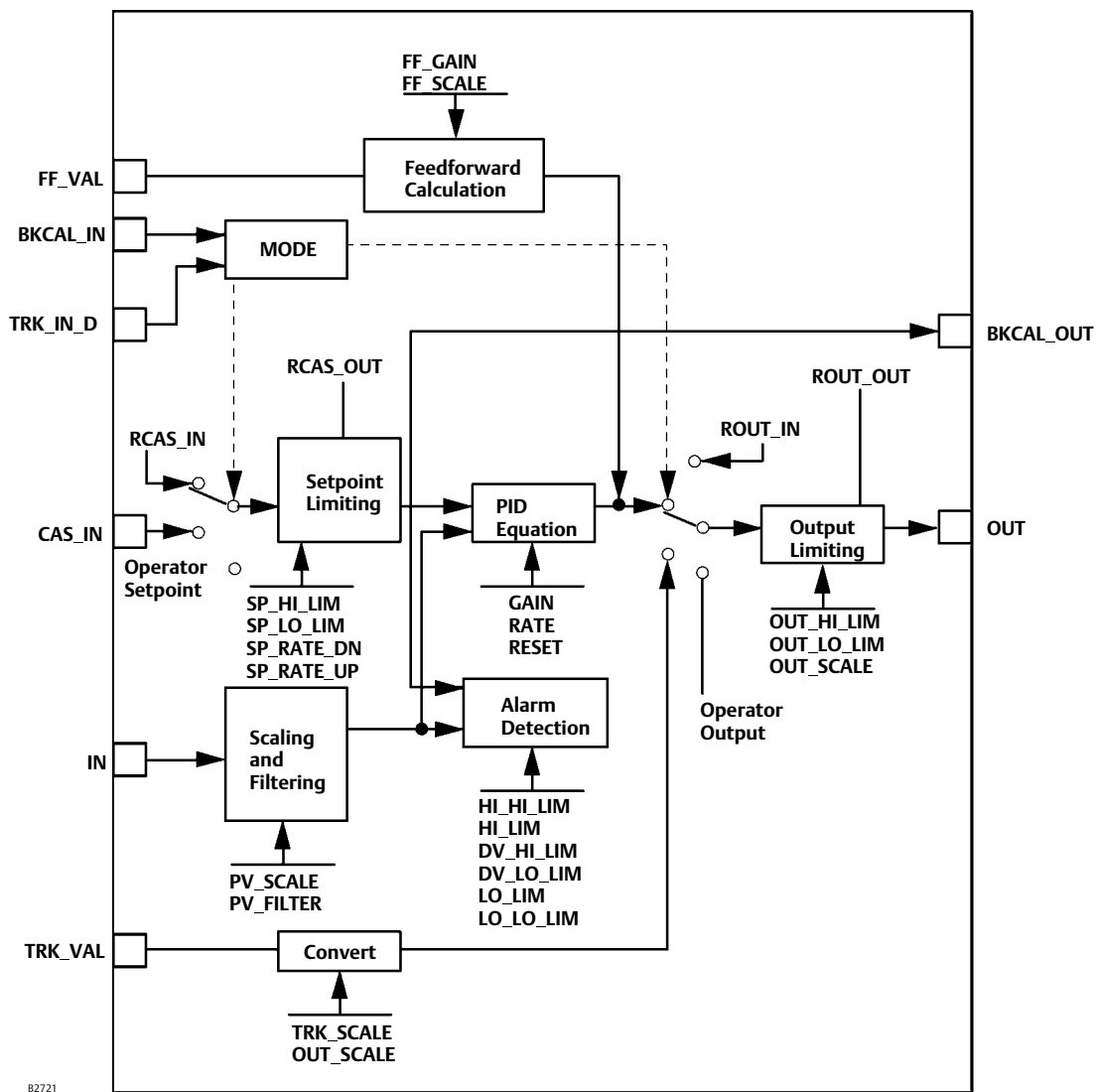
**$\tau_d$ :** derivative action time constant (RATE parameter)



- $\alpha$ : fixed smoothing factor of 0.1 applied to RATE
- F: feedforward control contribution from the feedforward input (FF\_VAL)
- E: error between setpoint and process variable

To further customize the block for use in your application, you can configure filtering, feedforward inputs, tracking inputs, setpoint and output limiting, PID equation structures, and block output action. Table 4-32 lists the PID block parameters and their descriptions, units of measure, and index numbers, and figure 4-10 illustrates the internal components of the PID function block.

Figure 4-10. PID Function Block Schematic



B2721

## Modes

The PID function block supports the following modes:

- **Manual (Man)**—The block output (OUT [9]) may be set manually.
- **Automatic (Auto)**—The SP [8] may be set manually and the block algorithm calculates OUT [9].
- **Cascade (Cas)**—The SP [8] is calculated in another block and is provided to the PID block through the CAS\_IN [18] connection.
- **RemoteCascade (RCas)**—The SP [8] is provided by a host computer that writes to the RCAS\_IN [32] parameter.
- **RemoteOutput (ROut)**—The OUT [9] is provided by a host computer that writes to the ROUT\_IN [33] parameter.
- **Local Override (LO)**—The track function is active. OUT [9] is set by TRK\_VAL [39]. The BLOCK\_ERR [6] parameter shows Local override.
- **Initialization Manual (IMan)**—The output path is not complete (for example, the cascade-to-slave path might not be open). In IMan mode, OUT [9] tracks BKCAL\_IN [27].
- **Out of Service (OOS)**—The block is not processed. The OUT [9] status is set to Bad: Out of Service. The BLOCK\_ERR [6] parameter shows Out of service.

You can configure the Man, Auto, Cas, and OOS modes as permitted modes for operator entry.

## Mode Handling

### Shed Options—RCAS Mode Only

Shed from or climb to a remote mode is determined by the parameter SHED\_OPT [34]. A block climbs and sheds through the same path. For example, if SHED\_OPT [34] specifies that a block should shed to Auto, then, if the block target mode is set to RCas, the block goes through Auto on the way to RCas. You can configure the shed option as follows:

#### Shed With Return Options

Remote cascade or remote output connection failure shifts actual mode but keeps trying to restore remote cascade or remote output (in other words, the remote cascade or remote output target mode stays in effect).

**Normal**—On failure of a remote connection, the block attempts to attain the highest permitted non-remote mode until the remote connection is restored. Cas is the highest permitted non-remote mode and Auto is the next highest permitted non-remote mode. If Cas or Auto are not available, the block will shed by default to Man.

**Retained Target**—The retained target mode is the mode the block was in before changing to one of the remote target modes. On failure of a remote connection, the block attempts to attain the retained target mode.

**Auto**—On failure of a remote connection, the block attempts to attain Auto, if permitted, until the remote connection is restored.

**Man**—On failure of a remote connection, the block sheds to Man until a remote connection is restored.

## Shed With No Return Options

For any shed with no return option, the target mode changes as determined by the option. Therefore, there is no attempt to restore the connection following failure. The behavior on change to a remote target mode is identical to that for Shed With Return Options.

**Normal**—On failure of a remote connection, the block sets the target mode to the highest permitted non-remote mode. Cas is the highest permitted non-remote mode and Auto is the next permitted non-remote mode. If Cas or Auto are not available, the block will shed by default to Man.

**Retained Target**—The retained target mode is the mode the block was in before changing to one of the remote target modes. On failure of a remote connection, the block sets the target mode to the retained target mode.

**Auto**—On failure of a remote connection, the block sets the target mode to Auto, if permitted.

**Man**—On failure of a remote connection, the block sets the target mode to Man, if permitted.

The user may configure SHED\_OPTS [34] so that it calls for a target mode that is not permitted. When doing this, the mode logic uses the following rules as applied by the remote logic:

- Shed logic never results in a non-permitted target mode.
- Shed logic never attempts to attain an actual mode of Auto or Cas if that mode is not permitted.

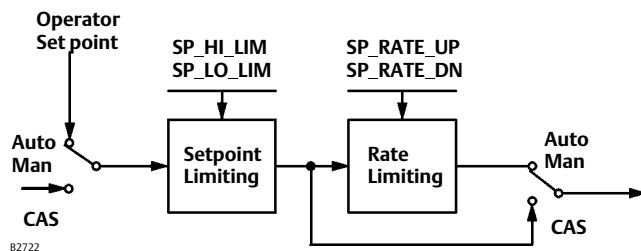
## Status Handling

If the input status on the PID block is Bad, the mode of the block reverts to Manual. In addition, you can select the Target to Manual if Bad IN status option to direct the target mode to revert to manual. You can set the status option in Manual or Out of Service mode only.

## Set Point Selection and Limiting

The set point of the PID block is only valid when the block is in Auto, Cas, or RCas. Figure 4-11 illustrates the method for set point selection. You can configure the SP\_HI\_LIM [21] and SP\_LO\_LIM [22] parameters to limit the set point. In Cascade or Remote Cascade mode, the set point is adjusted by another function set block or by a host computer, and the output is computed based on the set point.

Figure 4-11. PID Function Block Set Point Selection



In Automatic mode, the set point is entered manually by the operator, and the output is computed based on the set point. In Auto mode, you can also adjust the set point limit and the set point rate of change using the SP\_RATE\_UP [20] and SP\_RATE\_DN [19] parameters.

In Manual mode the output is entered manually by the operator. In Remote Output mode, the output is entered by a host computer.

## Output Selection and Limiting

Output selection is determined by the mode and the set point. In Automatic, Cascade, or Remote Cascade mode, the output is computed by the PID control equation. In Manual and Remote Output mode, the output may be entered manually (see also Set Point Selection and Limiting). You can limit the output by configuring the OUT\_HI\_LIM [28] and OUT\_LO\_LIM [29] parameters.

## Filtering

The filtering feature changes the response time of the device to smooth variations in output readings caused by rapid changes in input. You can adjust the filter time constant (in seconds) using the PV\_FTIME [16] or SP\_FTIME [69] parameters. Set the filter time constant to zero to disable the filter feature.

## Feedforward Calculation

The feedforward value (FF\_VAL [40]) is scaled (FF\_SCALE [41]) to a common range for compatibility with the output scale (OUT\_SCALE [11]). A gain value (FF\_GAIN [42]) is applied to achieve the total feedforward contribution.

## Output Tracking

Output tracking is enabled through the control options. You can set control options in Manual or Out of Service mode only.

The Track Enable control option must be set to True for the track function to operate. When the Track in Manual control option is set to True, the operator cannot override the tracking function in Manual mode. When Track in Manual is False, the operator can override the tracking function when the block is in Manual mode. Activating the track function causes the block's actual mode to revert to Local Override.

The TRK\_VAL [38] parameter specifies the value to be converted and tracked into the output when the track function is operating. The TRK\_SCALE [37] parameter specifies the range of TRK\_VAL [38].

When the TRK\_IN\_D [38] parameter is True and the Track Enable control option is True, the TRK\_VAL [38] input is converted to the appropriate value and output in units of OUT\_SCALE [11].

## Set Point Tracking

You can configure the method for tracking the set point by configuring the following control options (CONTROL\_OPTS [12]):

- **SP-PV Track in Man**—Permits the SP [8] to track the PV [7] when the actual mode of the block is Man.
- **SP-PV Track in LO or IMan**—Permits the SP [8] to track the PV [7] when the actual mode of the block is Local Override (LO) or Initialization Manual (IMan).
- **SP-PV Track in ROUT**—Permits the SP [8] to track the PV [7] when the actual mode of the block is RemoteOut (ROUT).
- **SP Track retained Target**—Causes the set point to track the RCAS or CAS parameter based on the retained target mode when the actual mode is MAN or LO.

- **Act On IR**—If this option is true, then when IR (Initialization Requested) is received on BKCAL\_IN [27], the SP [8] will be adjusted within setpoint limits to provide bumpless transfer when the cascade is closed. If the setpoint required to provide bumpless transfer is outside the setpoint limits, then any difference added to provide bumpless transfer will be removed in the BAL\_TIME [25].

When one of these options is set, the SP[8] value is set to the PV [7] value while in the specified mode.

You can select the value that a master controller uses for tracking by configuring the Use PV for BKCAL\_OUT control option. The BKCAL\_OUT [31] value tracks the PV value. BKCAL\_IN [27] on a master controller connected to BKCAL\_OUT [31] on the PID block in an open cascade strategy forces its OUT [9] to match BKCAL\_IN [27], thus tracking the PV from the slave PID block into its cascade input connection (CAS\_IN [18]). If the Use PV for BKCAL\_OUT option is not selected, the working set point (SP\_WRK [68]) is used for BKCAL\_OUT [31].

You can set control options in Manual or Out of Service mode only. When the mode is set to Auto, the SP [8] will remain at the last value (it will no longer follow the PV [7]).

## PID Equation Structures for Enhanced PID Block

---

### Note

Extended parameters are not available at this time for all host systems. Refer to your host system documentation, or contact your Emerson Process Management sales office for additional information.

---

Configure the STRUCTURECONFIG [71] parameter to select the PID equation structure. You can select one of the following choices:

- Proportional, integral, and derivative on error (PID)
- Proportional and integral on error, derivative on PV (PI\_D)
- Integral on error, proportional and derivative on PV (I\_PD)
- Proportional on error, derivative on error (PD)
- Integral on error, derivative on error (ID)
- Integral on error, derivative on PV (I\_D)
- Two degrees of Freedom (2DOF)

## Reverse and Direct Action

To configure the block output action, set the Direct Acting control option. This option defines the relationship between a change in PV [7] and the corresponding change in output. With Direct Acting enabled (True), an increase in PV results in an increase in the output.

You can set control options in Manual or Out of Service mode only.

## Alarm Detection

A block alarm will be generated whenever the BLOCK\_ERR [6] has an error bit set. The types of block error for the PID block are defined above.

Process alarm detection is based on the PV [7] value. You can configure the alarm limits of the following standard alarms:

- High (HI\_LIM [51])
- High high (HI\_HI\_LIM [49])
- Low (LO\_LIM [53])
- Low low (LO\_LO\_LIM [55])

Additional process alarm detection is based on the difference between SP [8] and PV [7] values and can be configured via the following parameters:

- Deviation high (DV\_HI\_LIM [57])
- Deviation low (DV\_LO\_LIM [59])

In order to avoid alarm chattering when the variable is oscillating around the alarm limit, an alarm hysteresis in percent of the PV span can be set using the ALARM\_HYS [47] parameter. The priority of each alarm is set in the following parameters:

- HI\_PRI [50]
- HI\_HI\_PRI [48]
- LO\_PRI [52]
- LO\_LO\_PRI [54]
- DV\_HI\_PRI [56]
- DV\_LO\_PRI [58]

Alarms are grouped into five levels of priority, as shown in table 4-30.

Table 4-30. PID Function Block Alarm Priorities

Priority Number	Priority Description <sup>(1)</sup>
0	The alarm is disabled
1	An alarm condition with a priority of 1 can be recognized by the system. The device monitors the alarm but does not report it until requested by the host system.
2	An alarm condition with a priority of 2 is reported to the operator, but generally does not require operator attention (such as diagnostics and system alerts).
3-7	Alarm conditions of priority 3 to 7 are advisory alarms of increasing priority.
8-15	Alarm conditions of priority 8 to 15 are critical alarms of increasing priority.
1. The priority classes "advise" and "critical" have no relationship to Plant Web Alerts.	

## Application Information

The PID function block is a powerful, flexible control algorithm that is designed to work in a variety of control strategies. The PID block is configured differently for different applications.

## DeltaV Tune

DeltaV Tune quickly and automatically determines optimal tuning parameters for PID control loops. For more information on DeltaV Tune, refer to DeltaV Books Online or DeltaV documentation.

## Block Errors

Table 4-31 lists conditions reported in the BLOCK\_ERR [6] parameter. Conditions in *italics* are not applicable for the PID block and are provided only for your reference.

Table 4-31. BLOCK\_ERR Conditions

Condition Number	Condition Name and Description
0	Other (N/A)
1	Block Configuration Error—SHED_OPT or BYPASS set to 0
2	Link Configuration Error (N/A)
3	Simulate Active (N/A)
4	Local Override—The actual mode is LO and Track Enable is set.
5	Device Fault State Set (N/A)
6	Device Needs Maintenance Soon (N/A)
7	Input failure/process variable has Bad status—The parameter linked to IN is indicating a Bad status.
8	Output Failure (N/A)
9	Memory Failure (N/A)
10	Lost Static Data (N/A)
11	Lost NV Data (N/A)
12	Readback Check Failed (N/A)
13	Device Needs Maintenance Now (N/A)
14	Power Up—Set if devices was powered up with this block in Out of Service (OOS) mode. Cleared on first change of mode to other than OOS.
15	Out of Service—The actual mode is Out of Service (OOS).

## PID Function Block Parameter List (table 4-32)

- Read/Write Capability: RO - Read Only, RW - Read Write
- Mode: The block mode(s) required to write to the parameter
- Double indentation and shaded Index Number indicates sub-parameter

Table 4-32. PID Function Block System Parameters Definitions

Label PARAMETER_NAME	Index Number	RO / RW	Block Mode	Range	Initial Value	Description
Static Revision ST_REV	1	RO	N/A	0 to 65535	0	Data Type: Unsigned16 The revision level of the static data associated with the function block. The revision value will be incremented each time a static parameter value in the block is changed.
Tag Description TAG_DESC	2	RW	ALL	7 bit ASCII	Spaces	Data Type: Octet String The user description of the intended application of the block.
Strategy STRATEGY	3	RW	ALL	0 to 65535	0	Data Type: Unsigned16 The strategy field can be used to identify grouping of blocks. This data is not checked or processed by the block.
Alert Key ALERT_KEY	4	RW	ALL	0 to 255	0	Data Type: Unsigned8 The identification number of the plant unit. This information may be used in the host for sorting alarms, etc.
Block Mode MODE_BLK	5					Data Type: DS-69 Valid Bits: 7: OOS, 6: IMAN, 5: LO, 4: MAN, 3: AUTO, 2: CAS, 1: RCAS, 0: ROUT The actual, target, permitted, and normal modes of the block. Target: The requested block mode Actual: The current mode of the block Permitted: Allowed modes for Target Normal: Most common mode for Target
TARGET	5.1	RW	ALL	OOS, MAN, AUTO CAS, RCAS, ROUT	OOS until block is configured, then last valid target	
ACTUAL	5.2	RO	ALL		OOS	
PERMITTED	5.3	RW	ALL	OOS+MAN+AUTO+ CAS+RCAS+ROUT	OOS MAN, AUTO CAS, RCAS ROUT	
NORMAL	5.4	RW	ALL		AUTO	

-Continued-

Table 4-32. PID Function Block System Parameters Definitions (Continued)

Label PARAMETER_NAME	Index Number	RO / RW	Block Mode	Range	Initial Value	Description
Block Error BLOCK_ERR	6	RO	N/A	Defined Bits 1: Block Configuration Error 4: Local Override 7: Input Failure/ Bad PV status 14: Power-up 15: Out-of-Service	Dynamic	Data Type: Bit String 0 = inactive 1 = active This parameter reflects the error status associated with the hardware or software components associated with a block. It is a bit string so that multiple errors may be shown.
Process Value PV	7	RO	N/A		Dynamic	Data Type: DS-65 The process variable used in block execution.
Setpoint SP	8		OOS MAN AUTO	PV_SCALE +/- 10%	Dynamic	Data Type: DS-65 The target block setpoint value. It is the result of setpoint limiting and setpoint rate of change limiting.
Output OUT	9		MAN OOS	Status OUT_SCALE +/- 10% Value	Dynamic	DS-65 The block output value and status.
Process Value Scale PV_SCALE	10		OOS	EU at 100% EU at 0% Units index Decimal Point	100 0 % 2	Data Type: DS-68 The high and low scale values, engineering units code, and number of digits to the right of the decimal point associated with PV.
Output Scale OUT_SCALE	11		OOS	EU at 100% EU at 0% Units index Decimal Point	100 0 % 2	Data Type: DS-68 The high and low scale values, engineering units code, and number of digits to the right of the decimal point associated with OUT.
Grant Deny GRANT_DENY	12					
GRANT	12.1		ALL	0: Program 1: Tune 2: Alarm 3: Local	All bits: 0	Data Type: DS-70 Options for controlling access of host computers and local control panels to operating, tuning, and alarm parameters of the block. Not used by the device.
DENY	12.2		ALL	0: Program 1: Tune 2: Alarm 3: Local	All bits: 0	GRANT: 0=N/A, 1=granted DENY: 0 = N/A, 1= denied
Control Options CONTROL_OPTS	13		OOS	0: Bypass Enable 1: SP tracks PV in MAN 2: SP tracks PV in ROUT 3: SP tracks PV in LO or MAN 4: SP tracks RCAS or CAS in IMAN, LO, MAN or ROUT 5: Direct Acting 7: Track Enable 8: Track in Manual 9: Use PV for BKCAL_OUT 10: Act on IR 12: Restrict SP to limits in Cas and RCas 13: No output limits in MAN	All bits: 0	Data Type: Bit String 0=disable 1=enable Allows you to specify control strategy options.
Status Options STATUS_OPTS	14		OOS	0: IFS (Initiate Fault State) if BAD IN 1: IFS if BAD CAS_IN 2: Use Uncertain as Good 5: Target to MAN if BAD IN	All bits: 0	Data Type: Bit String 0=disable 1=enable Allows you to select options for status handling and processing.
Input IN	15		ALL	Status Value	BAD: NC: const 0	Data Type: DS-65 The primary input value of the block.
Process Value Filter Time PV_FTIME	16		ALL	Positive	0	Data Type: Float The time constant of the first-order PV filter. It is the time, in seconds, required for a 63 percent change in the IN value.

-Continued-



Table 4-32. PID Function Block System Parameters Definitions (Continued)

Label PARAMETER_NAME	Index Number	RO / RW	Block Mode	Range	Initial Value	Description
Bypass BYPASS	17		MAN OOS	1=Off 2=On	0=undefined	Data Type: Enum Used to override the calculation of the block. When enabled, the SP is sent directly to the output.
Cascade Input CAS_IN	18		ALL	Status	BAD NC: const	Data Type: DS-65 The setpoint value from another block.
				Value	0	
Setpoint Rate Down SP_RATE_DN	19		ALL	Positive	+ INF	Data Type: Float Ramp rate for downward SP changes. When the ramp rate is set to zero, the SP is used immediately. PV per second
Setpoint Rate UP SP_RATE_UP	20		ALL	Positive	+ INF	Data Type: Float Ramp rate for upward SP changes. When the ramp rate is set to zero, the SP is used immediately. PV per second
Setpoint High Limit SP_HI_LIM	21		ALL	PV Scale +/- 10%, must be greater than SP_LO_LIM	100	Data Type: Float The highest SP value allowed.
Setpoint Low Limit SP_LO_LIM	22		ALL	PV Scale +/- 10%, must be less than SP_HI_LIM	0	Data Type: Float The lowest SP value allowed.
Gain GAIN	23		ALL	greater than 0	1	Data Type: Float The proportional gain value.
Reset RESET	24		ALL	Positive	+ INF	Data Type: Float The integral action time constant. Seconds per repeat
Balance Time BAL_TIME	25		ALL	Positive	0	Data Type: Float The specified time, in seconds, for the internal working value of bias to return to the operator set bias. Also used to specify the time constant at which the integral term will move to obtain balance when the output is limited and the mode is AUTO, CAS, or RCAS.
Rate RATE	26		ALL	Positive	0	Data Type: Float The derivative action time constant, in seconds.
Back Calculation Input BKCAL_IN	27		ALL	Status	BAD: NC: const	Data Type: DS-65 The analog input value and status from another block's BKCAL_OUT output that is used for backward output tracking for bumpless transfer and to pass limit status.
				Value	0	
Output High Limit OUT_HI_LIM	28		ALL	OUT_SCALE +/- 10%	100	Data Type: Float Limits the maximum output value for modes other than manual.
Output Low Limit OUT_LO_LIM	29		ALL	OUT_SCALE +/- 10%	0	Data Type: Float Limits the minimum output value for modes other than manual.
Back Calculation Hysteresis BKCAL_HYS	30		ALL	0 to 50%	0.50%	Data Type: Float The amount the output value must change away from its output limit before limit status is turned off.
Back Calculation Output BKCAL_OUT	31	RO	N/A		Dynamic	Data Type: DS-65 The value and status required by the BKCAL_IN input of another block to prevent reset windup and to provide bumpless transfer of closed loop control.
Remote Cascade Input RCAS_IN	32		ALL	Status	BAD: NoCom: NoVal: const	Data Type: DS-65 Target setpoint and status that is provided by a supervisory host. Used when mode is RCAS.
				Value	0 Trk	

-Continued-

Table 4-32. PID Function Block System Parameters Definitions (Continued)

Label PARAMETER_NAME	Index Number	RO / RW	Block Mode	Range	Initial Value	Description
Remote Out Input ROUT_IN	33		ALL	Status	BAD: NoCom: NoVal: const	Data Type: DS-65 Target output and status that is provided by a supervisory host. Used when mode is ROUT.
				Value	0 Trk	
Shed Options SHED_OPT	34		ALL	0=Invalid 1=Normal Shed, Normal Return 2=Normal Shed, No Return 3=Shed to Auto, normal return 4=Shed to Auto, no return. Target mode changes to Auto on detection of a shed condition 5=Shed to Manual, normal return 6=Shed to Manual, No return. Target mode changes to MAN on detection of a shed condition. 7=Shed to retained target, normal return 8=Shed to retained target, no return. (Change target to retained target)	0=Invalid	Data Type: Uint8 Defines action to be taken on remote control device timeout. Normal Return - actual mode changes to the next lowest priority non-remote mode permitted but returns to the target remote mode when the remote computer completes the initialization handshake. No Return - Target mode changes to the next lowest priority non-remote mode permitted. The target remote mode is lost, so no return occurs.
Remote Cascade Output RCAS_OUT	35	RO	N/A		Dynamic	Data Type: DS-65 Block setpoint and status after ramping, filtering, and limiting that is provided to a supervisory host for back calculation to allow action to be taken under limiting conditions or mode change. Used when mode is RCAS.
Remote Out Output ROUT_OUT	36	RO	N/A		Dynamic	Data Type: DS-65 Block output that is provided to a supervisory host for a back calculation to allow action to be taken under limiting conditions or mode change. Used when mode is RCAS.
Tracking Scale TRK_SCALE	37		MAN OOS		100 0 % 2	Data Type: DS-68 The high and low scale values, engineering units code, and number of digits to the right of the decimal point associated with the external tracking value (TRK_VAL).
Tracking Input Discrete TRK_IN_D	38		ALL	Status	BAD: NC: const	Data Type: DS-66 Discrete input that initiates external tracking of the block output to the value specified by TRK_VAL.
				Value	0	
Tracking Value TRK_VAL	39		ALL	Status	BAD: NC: const	Data Type: DS-65 The value (after scaling from TRK_SCALE to OUT_SCALE) applied to OUT in LO mode when external tracking is enabled by TRK_IN_D.
				Value	0	
Feed Forward Value FF_VAL	40		ALL	Status	BAD: NC: const	Data Type: DS-65 The feedforward control input value and status.
				Value	0	
Feed Forward Scale FF_SCALE	41		MAN OOS		100 0 % 2	Data Type: DS-68 The high and low scale values, engineering units code, and number of digits to the right of the decimal point associated with the feedforward value (FF_VAL).
Feed Forward Gain FF_GAIN	42		MAN OOS		0	Data Type: Float The feedforward gain value. FF_VAL is multiplied by FF_GAIN before it is added to the calculated control output. A value of 0 disables feedforward.

-Continued-

Table 4-32. PID Function Block System Parameters Definitions (Continued)

Label PARAMETER_NAME	Index Number	RO / RW	Block Mode	Range	Initial Value	Description
Update Event UPDATE_EVT	43					Data Type: DS-73 This alert is generated by any changes to the static data.
UNACKNOWLEDGED	43.1	RW	N/A	0=Undefined 1=Acknowledged 2=Unacknowledged	0	
UPDATE_STATE	43.2	RO	N/A	0=Undefined 1=Update reported 2=Update not reported	0	
TIME_STAMP	43.3	RO	N/A		0	
STATIC_REVISION	43.4	RO	N/A		0	
RELATIVE_INDEX	43.5	RO	N/A		0	
Block Alarm BLOCK_ALM	44					Data Type: DS-72 The block alarm is used for all configuration, hardware, connection failure, or system problems in the block. The cause of the alarm will be set in the subcode.  VALUE Data Type: Unsigned8
UNACKNOWLEDGED	44.1	RW	N/A	0=Undefined 1=Acknowledged 2=Unacknowledged	0	
ALARM_STATE	44.2	RO	N/A	0=Undefined 1=Clear-reported 2=Clear-not reported 3=Active reported 4=Active not reported	0	
TIME_STAMP	44.3	RO	N/A		0	
SUBCODE	44.4	RO	N/A		0	
VALUE	44.5	RO	N/A		0	
Alarm Summary ALARM_SUM	45					Data Type: DS-74 Current alert status, unacknowledged states, unreported states, and disabled states of the alarms associated with the function block.
CURRENT	45.1	RO	ALL	1: High High Alarm 2: High Alarm 3: Low Low Alarm 4: Low Alarm 5: Deviation High Alarm 6: Deviation Low Alarm 7: Block Alarm	Dynamic	
UNACKNOWLEDGED	45.2	RO	ALL			
UNREPORTED	45.3	RO	ALL			
DISABLED	45.4	RW	ALL			
Acknowledge Option ACK_OPTION	46		N/A	1: High High Alarm 2: High Alarm 3: Low Low Alarm 4: Low Alarm 5: Deviation High Alarm 6: Deviation Low Alarm 7: Block Alarm	All bits: 0	Data Type: Bit String 0=Disable 1=Enable Used to set auto acknowledgment of alarms.
Alarm Hysteresis ALARM_HYS	47		ALL	0 to 50%	0.50%	Data Type: Float The amount the alarm value must return to within the alarm limit before the associated active alarm condition clears.
High High Priority HI_HI_PRI	48		ALL	0 to 15	0	Data Type: Unsigned8 The priority of the HI HI Alarm.
High High Limit HI_HI_LIM	49		ALL	PV_SCALE, or +INF	+INF	Data Type: Float The setting for the alarm limit used to detect the HI HI alarm condition.
High Priority HI_PRI	50		ALL	0 to 15	0	Data Type: Unsigned8 The priority of the HI alarm.
High Limit HI_LIM	51		ALL	PV_SCALE, or +INF	+INF	Data Type: Float The setting for the alarm limit used to detect the HI alarm condition.
Low Priority LO_PRI	52		ALL	0 to 15	0	Data Type: Unsigned8 The priority of the LO alarm.
Low Limit LO_LIM	53		ALL	PV_SCALE, or -INF	-INF	Data Type: Float The setting for the alarm limit used to detect the LO alarm condition.
Low Low Priority LO_LO_PRI	54		ALL	0 to 15	0	Data Type: Unsigned8 The priority of the LO LO alarm.

-Continued-

Table 4-32. PID Function Block System Parameters Definitions (Continued)

Label PARAMETER_NAME	Index Number	RO / RW	Block Mode	Range	Initial Value	Description
Low Low Limit LO_LO_LIM	55		ALL	PV_SCALE, or -INF	-INF	Data Type: Float The setting for the alarm limit used to detect the LO LO alarm condition.
Deviation High Priority DV_HI_PRI	56		ALL	0 to 15	0	Data Type: Unsigned8 The priority of the deviation high alarm.
Deviation High Limit DV_HI_LIM	57		ALL	PV_SCALE, or +INF	+INF	Data Type: Float The setting for the alarm limit used to detect the deviation high alarm condition.
Deviation Low Priority DV_LO_PRI	58		ALL	0 to 15	0	Data Type: Unsigned8 The priority of the deviation low alarm.
Deviation Low Limit DV_LO_LIM	59		ALL	-INF, or -PV span to 0	-INF	Data Type: Float The setting for the alarm limit use to detect the deviation low alarm condition.
High High Alarm HI_HI_ALM	60					Data Type: DS-71 The HI HI alarm data, which includes a value of the alarm, a timestamp of occurrence, and the state of the alarm.  VALUE Data Type: Float
UNACKNOWLEDGED	60.1	RW	N/A	0=Undefined 1=Acknowledged 2=Unacknowledged	0=undefined	
ALARM_STATE	60.2	RO	N/A	0=Undefined 1=Clear reported 2=Clear not reported 3=Active reported 4=Active not reported	0=undefined	
TIME_STAMP	60.3	RO	N/A		0	
SUBCODE	60.4	RO	N/A		0	
VALUE	60.5	RO	N/A		0	
High Alarm HI_ALM	61					Data Type: DS-71 The HI alarm data, which includes a value of the alarm, a timestamp of occurrence, and the state of the alarm.  VALUE Data Type: Float
UNACKNOWLEDGED	61.1	RW	N/A	0=Undefined 1=Acknowledged 2=Unacknowledged	0=undefined	
ALARM_STATE	61.2	RO	N/A	0=Undefined 1=Clear reported 2=Clear not reported 3=Active reported 4=Active not reported	0=undefined	
TIME_STAMP	61.3	RO	N/A		0	
SUBCODE	61.4	RO	N/A		0	
VALUE	61.5	RO	N/A		0	
Low Alarm LO_ALM	62					Data Type: DS-71 The LO alarm data, which includes a value of the alarm, a timestamp of occurrence, and the state of the alarm.  VALUE Data Type: Float
UNACKNOWLEDGED	62.1	RW	N/A	0=Undefined 1=Acknowledged 2=Unacknowledged	0=undefined	
ALARM_STATE	62.2	RO	N/A	0=Undefined 1=Clear reported 2=Clear not reported 3=Active reported 4=Active not reported	0=undefined	
TIME_STAMP	62.3	RO	N/A		0	
SUBCODE	62.4	RO	N/A		0	
VALUE	62.5	RO	N/A		0	

-Continued-

Table 4-32. PID Function Block System Parameters Definitions (Continued)

Label PARAMETER_NAME	Index Number	RO / RW	Block Mode	Range	Initial Value	Description
Low Low Alarm LO_LO_ALM	63					
UNACKNOWLEDGED	63.1	RW	N/A	0=Undefined 1=Acknowledged 2=Unacknowledged	0=undefined	Data Type: DS-71 The LO LO alarm data, which includes a value of the alarm, a timestamp of occurrence, and the state of the alarm.  VALUE Data Type: Float
ALARM_STATE	63.2	RO	N/A	0=Undefined 1=Clear reported 2=Clear not reported 3=Active reported 4=Active not reported	0=undefined	
TIME_STAMP	63.3	RO	N/A		0	
SUBCODE	63.4	RO	N/A		0	
VALUE	63.5	RO	N/A		0	
Deviation High Alarm DV_HI_ALM	64					
UNACKNOWLEDGED	64.1	RW	N/A	0=Undefined 1=Acknowledged 2=Unacknowledged	0=undefined	Data Type: DS-71 The DV HI alarm data, which includes a value of the alarm, a timestamp of occurrence, and the state of the alarm.  VALUE Data Type: Float
ALARM_STATE	64.2	RO	N/A	0=Undefined 1=Clear reported 2=Clear not reported 3=Active reported 4=Active not reported	0=undefined	
TIME_STAMP	64.3	RO	N/A		0	
SUBCODE	64.4	RO	N/A		0	
VALUE	64.5	RO	N/A		0	
Deviation Low Alarm DV_LO_ALM	65					
UNACKNOWLEDGED	65.1	RW	N/A	0=Undefined 1=Acknowledged 2=Unacknowledged	0=undefined	Data Type: DS-71 The DV LO alarm data, which includes a value of the alarm, a timestamp of occurrence, and the state of the alarm.  VALUE Data Type: Float
ALARM_STATE	65.2	RO	N/A	0=Undefined 1=Clear reported 2=Clear not reported 3=Active reported 4=Active not reported	0=undefined	
TIME_STAMP	65.3	RO	N/A		0	
SUBCODE	65.4	RO	N/A		0	
VALUE	65.5	RO	N/A		0	
<b>Extended Parameters</b>						
Bias BIAS	66		ALL	OUT_SCALE +/- 10%	0	Data Type: Float The bias value used to calculate output for a PD structure.
Error ERROR	67	RO	N/A		Dynamic	Data Type: Float The error (SP-PV) used to determine the control action.
SP Work SP_WRK	68	RO	N/A		Dynamic	Data Type: Float The working set point of the block after limiting and filtering is applied. EU of PV_SCALE
SP FTime SP_FTIME	69		ALL	Positive	0	Data Type: Float The time constant of the first-order SP filter. It is the time, in seconds, required for a 63 percent change in the IN value. Applied after SP rate limiting.
Math Form MATHFORM	70		OOS	0=Standard 1=Series	0=Standard	Data Type: Unsigned8 Selects equation form (series or standard)

-Continued-

Table 4-32. PID Function Block System Parameters Definitions (Continued)

Label PARAMETER_NAME	Index Number	RO / RW	Block Mode	Range	Initial Value	Description
Structureconfig STRUCTURECONFIG	71		OOS	0=PID terms on error 1=PI terms on error, D term on PV 2=I terms on error, PD term on PV 3=PD terms on error 4= P term on error, D term on PV 5=ID terms on error 6=l term on error, D term on PV 7=2 Deg. of Freedom PID	0=PID terms on error	Data Type: Unsigned8 Defines PID equation structure to apply controller action.
UGamma GAMMA (ugamma)	72		OOS	>= 0, <= 1	1.0	Data Type: Float Fraction of derivative action taken on error versus PV. For a value of 0.6, then 60% of the derivative action will be based on error and 40% on PV. The value of GAMMA may be changed over a range of 0-1 if STRUCTURE is set to Two Degrees of Freedom Control. Otherwise, it is automatically set to a value of 1 or 0 based on the Structure selection.
UBeta BETA (ubeta)	73		OOS	>= 0, <= 1	1.0	Data Type: Float Fraction of proportional action taken on error versus PV. For a value of 0.6, then 60% of the proportional action will be based on error and 40% on PV. The value of BETA may be changed over a range of 0-1 if STRUCTURE is set to Two Degrees of Freedom Control. Otherwise, it is automatically set to a value of 1 or 0 based on the Structure selection.
IDeadBand IDEADBAND	74		OOS	Positive	0	Data Type: Float Integral action stops when ERROR is within IDEADBAND, proportional and derivative action continue. EU of PV_SCALE
StdDev STDDEV	75	RO	N/A		Dynamic	Data Type: Float Standard deviation of PV.
Cap StdDev CAP_STDDEV	76	RO	N/A		Dynamic	Data Type: Float Standard deviation of PV changes.
T Request T_REQUEST	77	RO	ALL	0=Request Tuning 1=Force Tuning 2=Reset Tuner	0	Data Type: Bit String Operator request to initiate/control autotuning.
T State T_STATE	78	RO	NONE		0	Data Type: Unsigned8 Current autotuner state.
T Status T_STATUS	79	RO	N/A	0=Scan Rate Too Low Warning 1=Insufficient Process Response (obsolete) 2=Scan Rate Too High Warning 3=Inverse Direct Acting Error 4=PV Deviation Too Large 5=Initial PV Deviation Too Large 6=PV Limited or Constant 7=PV Bad 8=Invalid Mode for Tuning 9=BKCAL_IN Non Good or Limited 10=Out Limited 11=Bypass Active 12=Mode Changed 13=Tracking Active 14=Disconnected 15=SP Changed	0	Data Type: Bit String Autotuner status.

-Continued-

Table 4-32. PID Function Block System Parameters Definitions (Continued)

Label PARAMETER_NAME	Index Number	RO / RW	Block Mode	Range	Initial Value	Description
T Ipgain T_IPGAIN	80	RO	N/A		0.0	Data Type: Float Integrated process gain.
T Ugain T_UGAIN	81	RO	N/A		0.0	Data Type: Float Ultimate gain.
T Uperiod T_UPERIOD	82	RO	N/A		0.0	Data Type: Float Ultimate period.
T Psgain T_PSGAIN	83	RO	N/A		0.0	Data Type: Float Process static gain.
T Ptimec T_PTMEC	84	RO	N/A		0.0	Data Type: Float Process time constant.
T Pdttime T_PDTIME	85	RO	N/A		0.0	Data Type: Float Process dead time.
T Targetop T_TARGETOP	86		ALL		2	Data Type: Unsigned8 Target oscillation periods.
T Hyster T_HYSTER	87		ALL	> = 0.0	0.0	Data Type: Float Hysteresis
T Relayss T_RELAYSS	88		ALL	> = 0.0	3.0	Data Type: Float Relay step size.
T Gain Magnifier T_GAIN_MAGNIFIER	89		ALL	> 0.1, < 100	1.0	Data Type: Float Scales amount of gain.
T Auto Extra DT T_AUTO_EXTRA_DT	90		ALL		0	Data Type: Unsigned8 Allow additional cycle with extra deadtime.
T Auto Hysteresis T_AUTO_HYSTERESIS	91		ALL		0	Data Type: Unsigned8 Allows calculation of hysteresis based on CAP_STDDEV
T Aoperiods T_AOPERIODS	92	RO	N/A		0	Data Type: Unsigned8 Actual oscillation periods.

## View Lists

View lists allow the values of a set of parameters to be accessed at the same time. Views 1 and 2 contain operating parameters and are defined by the Fieldbus Foundation. View 3 contains dynamic parameters and View 4 contains static parameters with configuration and maintenance information. Views 3 and 4 are defined by the manufacturer.

Table 4-33. PID Function Block, View 1

Index Number	Parameter
1	ST_REV
5.1	MODE_BLK.TARGET_MODE
5.2	MODE_BLK.ACTUAL_MODE
5.3	MODE_BLK.PERMITTED_MODE
5.4	MODE_BLK.NORMAL_MODE
6	BLOCK_ERR
7	PV
8	SP
9	OUT
18	CAS_IN
38	TRK_IN_D
39	TRK_VAL
45.1	ALARM_SUM.CURRENT
45.2	ALARM_SUM.UNACKNOWLEDGED
45.3	ALARM_SUM.UNREPORTED
45.4	ALARM_SUM.DISABLED

Table 4-34. PID Function Block, View 2

Index Number	Parameter
1	ST_REV
10	PV_SCALE
11	OUT_SCALE
12.1	GRANT_DENY.GRANT
12.2	GRANT_DENY.DENY
17	BYPASS
21	SP_HI_LIM
22	SP_LO_LIM
28	OUT_HI_LIM
29	OUT_LO_LIM

Table 4-35. PID Function Block, View 3

Index Number	Parameter
1	ST_REV
5.1	MODE_BLK.TARGET_MODE
5.2	MODE_BLK.ACTUAL_MODE
5.3	MODE_BLK.PERMITTED_MODE
5.4	MODE_BLK.NORMAL_MODE
6	BLOCK_ERR
7	PV
8	SP
9	OUT
15	IN
18	CAS_IN
27	BKCAL_IN
31	BKCAL_OUT
32	RCAS_IN
33	ROUT_IN
35	RCAS_OUT
36	ROUT_OUT
38	TRK_IN_D
39	TRK_VAL
40	FF_VAL
45.1	ALARM_SUM.CURRENT
45.2	ALARM_SUM.UNACKNOWLEDGED
45.3	ALARM_SUM.UNREPORTED
45.4	ALARM_SUM.DISABLED
67	ERROR
68	SP_WORK
71	STRUCTURECONFIG
75	STDDEV
76	CAP_STDDEV

**Note**

Because individual views are limited in size, View List 4 has two parts.

Table 4-36. PID Function Block, View 4.1

Index Number	Parameter
1	ST_REV
3	STRATEGY
4	ALERT_KEY
13	CONTROL_OPTS
14	STATUS_OPTS
16	PV_FTIME
19	SP_RATE_DN
20	SP_RATE_UP
23	GAIN
24	RESET
25	BAL_TIME
26	RATE
30	BKCAL_HYS
34	SHED_OPT
37	TRK_SCALE
41	FF_SCALE
42	FF_GAIN
46	ACK_OPTION
47	ALARM_HYS
48	HI_HI_PRI
49	HI_HI_LIM
50	HI_PRI
51	HI_LIM
52	LO_PRI
53	LO_LIM
54	LO_LO_PRI
55	LO_LO_LIM
56	DV_HI_PRI
57	DV_HI_LIM
58	DV_LO_PRI
59	DV_LO_LIM

Table 4-37. PID Function Block, View 4.2

Index Number	Parameter
1	ST_REV
66	BIAS
69	SP_FTIME
70	MATHFORM
71	STRUCTURECONFIG
72	GAMMA (ugamma)
73	BETA
74	IDEADBAND



# Field Communicator Menu Structure

## PID FUNCTION BLOCK

### Quick Config

Alert Key  
 Control Options  
 Deviation High Limit  
 Deviation Low Limit  
 Gain  
 High High Limit  
 High Limit  
 Low Limit  
 Low Low Limit  
 Output Scale: EU at 100%  
 Output Scale: EU at 0%  
 Output Scale: Units Index  
 Output Scale: Decimal  
 Process Value Scale: EU at 100%  
 Process Value Scale: EU at 0%  
 Process Value Scale: Units Index  
 Process Value Scale: Decimal  
 Reset  
 Setpoint: Status  
 Setpoint: Value  
 Setpoint High Limit  
 Setpoint Low Limit

### Common Config

Alarm Hysteresis  
 Alert Key  
 Control Options  
 Deviation High Limit  
 Deviation Low Limit  
 Gain  
 High High Limit  
 High Limit  
 Low Limit  
 Low Low Limit  
 Block Mode: Target  
 Block Mode: Actual  
 Block Mode: Permitted  
 Block Mode: Normal  
 Output High Limit  
 Output Low Limit  
 Output Scale: EU at 100%  
 Output Scale: EU at 0%  
 Output Scale: Units Index  
 Output Scale: Decimal  
 Process Value Filter Time  
 Process Value Scale: EU at 100%  
 Process Value Scale: EU at 0%  
 Process Value Scale: Units Index  
 Process Value Scale: Decimal  
 Rate  
 Reset  
 Setpoint: Status  
 Setpoint: Value  
 Setpoint High Limit  
 Setpoint Low Limit

### Advanced Config

Back Calculation Hysteresis  
 Feed Forward Gain  
 Feed Forward Scale: EU at 100%  
 Feed Forward Scale: EU at 0%  
 Feed Forward Scale: Units Index  
 Feed Forward Scale: Decimal  
 Shed Options  
 Setpoint Rate Down  
 Setpoint Rate Up  
 Static Revision  
 Status Options  
 Strategy  
 Tracking Scale: EU at 100%  
 Tracking Scale: EU at 0%  
 Tracking Scale: Units Index  
 Tracking Scale: Decimal  
 Tracking Value: Status  
 Tracking Value: Value

### Connectors

Back Calculation Input: Status  
 Back Calculation Input: Value  
 Back Calculation Output: Status  
 Back Calculation Output: Value  
 Cascade Input: Status  
 Cascade Input: Value  
 Feed Forward Value: Status  
 Feed Forward Value: Value  
 Input: Status  
 Input: Value  
 Output: Status  
 Output: Value  
 Tracking Input Discrete: Status  
 Tracking Input Discrete: Value  
 Tracking Value: Status  
 Tracking Value: Value

### Online

Back Calculation Input: Status  
 Back Calculation Input: Value  
 Back Calculation Output: Status  
 Back Calculation Output: Value  
 Block Error  
 Bypass  
 Cascade Input: Status  
 Cascade Input: Value  
 Feed Forward Value: Status  
 Feed Forward Value: Value  
 Gain  
 Input: Status  
 Input: Value  
 Block Mode: Target  
 Block Mode: Actual  
 Block Mode: Permitted  
 Block Mode: Normal  
 Output: Status  
 Output: Value  
 Process Value: Status  
 Process Value: Value  
 Remote Cascade Input: Status  
 Remote Cascade Input: Value  
 Remote Cascade Output: Status  
 Remote Cascade Output: Value  
 Remote Out Input: Status  
 Remote Out Input: Value  
 Remote Out Output: Status  
 Remote Out Output: Value  
 Setpoint: Status  
 Setpoint: Value  
 Tracking Input Discrete: Status  
 Tracking Input Discrete: Value  
 Tracking Value: Status  
 Tracking Value: Value

### Status

Block Error

(menu continued on next page)

**PID FUNCTION BLOCK cont.**

Other

Tag Description  
 Grant Deny: Grant  
 Grant Deny: Deny  
 Balance Time  
 Update Event: Unacknowledged  
 Update Event: Update State  
 Update Event: Time Stamp  
 Update Event: Static Rev  
 Update Event: Relative Index  
 Block Alarm: Unacknowledged  
 Block Alarm: Alarm State  
 Block Alarm: Time Stamp  
 Block Alarm: Subcode  
 Block Alarm: Value  
 Alarm Summary: Current  
 Alarm Summary: Unacknowledged  
 Alarm Summary: Unreported  
 Alarm Summary: Disabled  
 Acknowledge Option  
 High High Alarm: Unacknowledged  
 High High Alarm: Alarm State  
 High High Alarm: Time Stamp  
 High High Alarm: Subcode  
 High High Alarm: Float Value  
 High Alarm: Unacknowledged  
 High Alarm: Alarm State  
 High Alarm: Time Stamp  
 High Alarm: Subcode  
 High Alarm: Float Value  
 Low Alarm: Unacknowledged  
 Low Alarm: Alarm State  
 Low Alarm: Time Stamp  
 Low Alarm: Subcode  
 Low Alarm: Float Value  
 Low Low Alarm: Unacknowledged  
 Low Low Alarm: Alarm State  
 Low Low Alarm: Time Stamp  
 Low Low Alarm: Subcode  
 Low Low Alarm: Float Value  
 Deviation High Alarm: Unacknowledged  
 Deviation High Alarm: Alarm State  
 Deviation High Alarm: Time Stamp  
 Deviation High Alarm: Subcode  
 Deviation High Alarm: Float Value  
 Deviation Low Alarm: Unacknowledged  
 Deviation Low Alarm: Alarm State  
 Deviation Low Alarm: Time Stamp  
 Deviation Low Alarm: Subcode  
 Deviation Low Alarm: Float Value  
 Bias

Other  
(continued)

Error  
 SP Work  
 SP FTime  
 mathform  
 structureconfig  
 Ugamma  
 UBeta  
 IDeadBand  
 StdDv  
 Cap StdDev  
 T Request  
 T State  
 T Status  
 T Ipgain  
 T Ugain  
 T Uperiod  
 T Psgain  
 T Ptimec  
 T Pdtm  
 T Targetop  
 T Hyster  
 T Relayss  
 T Gain Magnifier  
 T Auto Extra DT  
 T Auto Hysteresis  
 T Aoperiods

All

Characteristics: Block Tag  
 Static Revision  
 Tag Description  
 Strategy  
 Alert Key  
 Block Mode: Target  
 Block Mode: Actual  
 Block Mode: Permitted  
 Block Mode: Normal  
 Block Error  
 Process Value: Status  
 Process Value: Value  
 Setpoint: Status  
 Setpoint: Value  
 Output: Status  
 Output: Value  
 Process Value Scale: EU at 100%  
 Process Value Scale: EU at 0%  
 Process Value Scale: Units Index  
 Process Value Scale: Decimal  
 Output Scale: EU at 100%  
 Output Scale: EU at 0%  
 Output Scale: Units Index  
 Output Scale: Decimal  
 Grant Deny: Grant  
 Grant Deny: Deny  
 Control Options  
 Status Options  
 Input: Status  
 Input: Value  
 Process Value Filter Time  
 Bypass  
 Cascade Input: Status  
 Cascade Input: Value  
 Setpoint Rate Down  
 Setpoint Rate Up  
 Setpoint High Limit  
 Setpoint Low Limit  
 Gain  
 Reset  
 Balance Time  
 Rate  
 Back Calculation Input: Status  
 Back Calculation Input: Value  
 Output High Limit  
 Output Low Limit  
 Back Calculation Hysteresis  
 Back Calculation Output: Status  
 Back Calculation Output: Value  
 Remote Cascade Input: Status  
 Remote Cascade Input: Value  
 Remote Out Input: Status  
 Remote Out Input: Value  
 Shed Options  
 Remote Cascade Output: Status  
 Remote Cascade Output: Value  
 Remote Out Output: Status  
 Remote Out Output: Value  
 Tracking Scale: EU at 100%  
 Tracking Scale EU at 0%  
 Tracking Scale: Units Index  
 Tracking Scale: Decimal  
 Tracking Input Discrete: Status  
 Tracking Input Discrete: Value  
 Tracking Value: Status  
 Tracking Value: Value  
 Feed Forward Value: Status  
 Feed Forward Value: Value  
 Feed Forward Scale: EU at 100%  
 Feed Forward Scale: EU at 0%  
 Feed Forward Scale: Units Index  
 Feed Forward Scale: Decimal  
 Feed Forward Gain

All (continued)

Updated Event: Unacknowledged  
 Update Event: Update State  
 Update Event: Time Stamp  
 Update Event: Static Rev  
 Update Event: Relative Index  
 Block Alarm: Unacknowledged  
 Block Alarm: Alarm State  
 Block Alarm: Time Stamp  
 Block Alarm: Subcode  
 Block Alarm: Value  
 Alarm Summary: Current  
 Alarm Summary: Unacknowledged  
 Alarm Summary: Unreported  
 Alarm Summary: Disabled  
 Acknowledge Option  
 Alarm Hysteresis  
 High High Priority  
 High High Limit  
 High Priority  
 High Limit  
 Low Priority  
 Low Limit  
 Low Low Priority  
 Low Low Limit  
 Deviation High Priority  
 Deviation High Limit  
 Deviation Low Priority  
 Deviation Low Limit  
 High High Alarm: Unacknowledged  
 High High Alarm: Alarm State  
 High High Alarm: Time Stamp  
 High High Alarm: Subcode  
 High High Alarm: Float Value  
 High Alarm: Unacknowledged  
 High Alarm: Alarm State  
 High Alarm: Time Stamp  
 High Alarm: Subcode  
 High Alarm: Float Value  
 Low Alarm: Unacknowledged  
 Low Alarm: Alarm State  
 Low Alarm: Time Stamp  
 Low Alarm: Subcode  
 Low Alarm: Float Value  
 Low Low Alarm: Unacknowledged  
 Low Low Alarm: Alarm State  
 Low Low Alarm: Time Stamp  
 Low Low Alarm: Subcode  
 Low Low Alarm: Float Value  
 Deviation High Alarm: Unacknowledged  
 Deviation High Alarm: Alarm State  
 Deviation High Alarm: Time Stamp  
 Deviation High Alarm: Subcode  
 Deviation High Alarm: Float Value  
 Deviation Low Alarm: Unacknowledged  
 Deviation Low Alarm: Alarm State  
 Deviation Low Alarm: Time Stamp  
 Deviation Low Alarm: Subcode  
 Deviation Low Alarm: Float Value  
 Bias  
 Error  
 SP Work  
 SP FTime  
 mathform  
 structureconfig  
 UGamma  
 UBeta  
 IDeadBand  
 StdDev

All (continued)

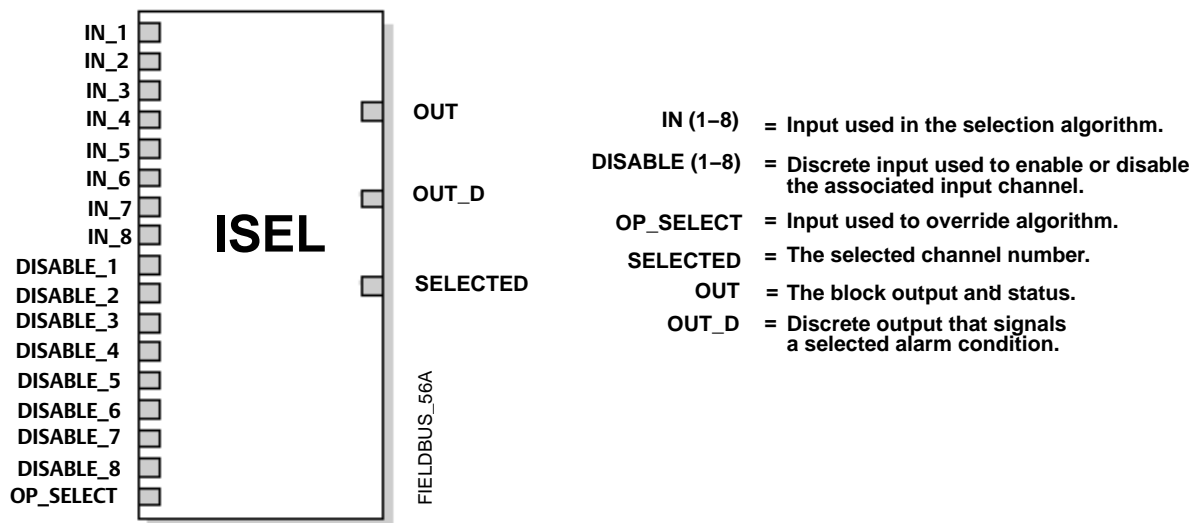
Cap StdDev  
 T Request  
 T State  
 T Status  
 T Ipgain  
 T Ugain  
 T Uperiod  
 T Psgain  
 T Ptimec  
 T Pdtm  
 T Targetop  
 T Hyster  
 T Relayss  
 T Gain Magnifier  
 T Auto Extra DT  
 T Auto Hysteresis  
 T Aoperiods

# Input Selector Function Block

## Overview

The Input Selector (ISEL) function block (figure 4-12) can be used to select the first good, maximum, minimum, average, or hot backup from as many as eight input values and place it at the output. The block supports signal status propagation. There is no process alarm detection in the Input Selector function block. Figure 4-13 illustrates the internal components of the ISEL function block. Table 4-40 lists the ISEL block parameters, their index numbers, and descriptions.

Figure 4-12. Input Selector Function Block



## Modes

The ISEL function block supports three modes of operation as defined by the MODE\_BLK [5] parameter:

- **Manual (Man)**—The block output (OUT [7]) may be entered manually.
- **Automatic (Auto)**—OUT [7] reflects the selected input value.
- **Out of Service (OOS)**—The block is not processed. The BLOCK\_ERR [6] parameter shows Out of Service. In this mode, you can make changes to all configurable parameters. The target mode of a block may be restricted to one or more of the supported modes.

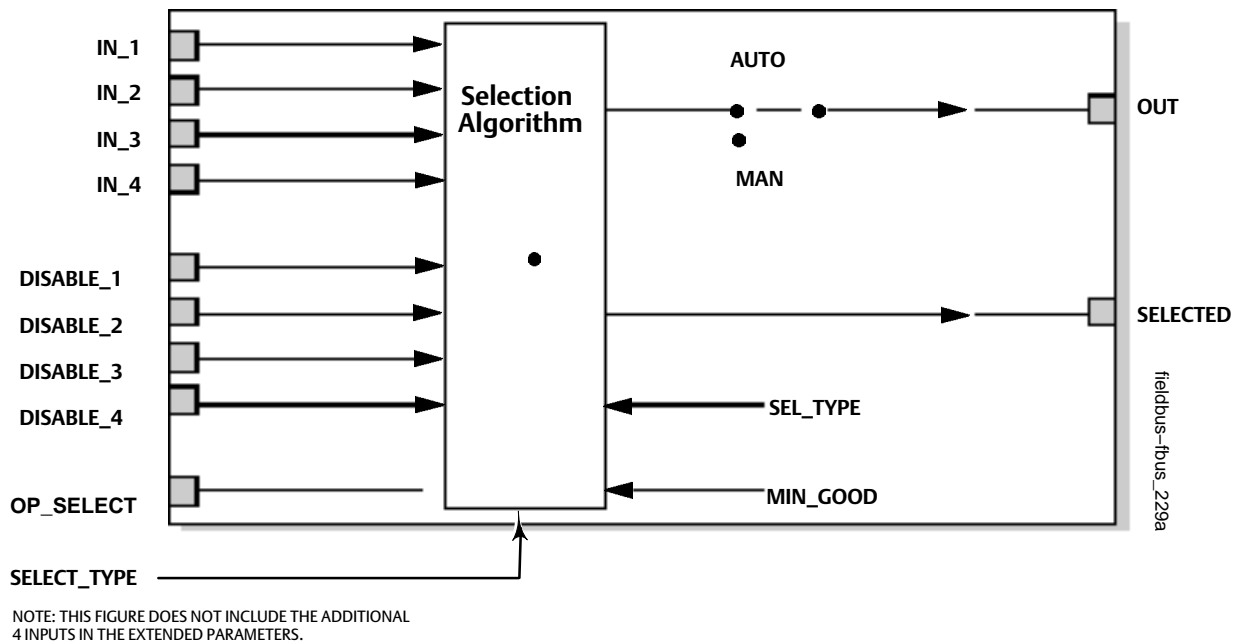
The Input Selector block Actual mode will be Out of Service if any of the following are true:

- The Actual mode of the resource block is not Auto
- The Input Selector block Target mode is Out of Service

- The Input Selector block Target mode is Auto, OP\_SELECT [22] is not being used, and SELECT\_TYPE [19] is 0. In this case, the BLOCK\_ERR [6] parameter shows a Block Configuration Error.

The Input Selector block Actual mode will be Manual if all of the above is not true and the Target mode is Manual.

Figure 4-13. Input Selector Function Block Schematic



## Status Handling

### Quality Use and Propagation

In Auto mode, OUT [7] reflects the value and status of the selected input based on the following criteria:

- A bad or disabled input is never used by any of the selection algorithms
- For a selection algorithm to use an input with status of Uncertain, the STATUS\_OPTS [10] parameter must have "Use Uncertain as Good."
- STATUS\_OPTS [10] is applied before selection.
- If the number of good inputs is less than MIN\_GOOD [20], or if the number of inputs evaluated is 0, the status of OUT [7] and SELECTED [21] will be Bad.
- If an input is disabled or its status is Bad and is selected via OP\_SELECT [22], then the status of OUT [7] and SELECTED [21] will be Bad. If the quality of the input is Uncertain, and the selection for the STATUS\_OPTS [10] parameter is "Use Uncertain as Good," then the status of OUT [7] and SELECTED [21] will be Uncertain. Otherwise the status of OUT [7] and SELECTED [21] will be Good Noncascade.

When the block is in the Manual mode the status and substatus of OUT [7] and SELECTED [21] will be as follows:

- Substatus will be non-specific and the limit will be constant.
- Quality of OUT [7] and SELECTED [21] will be Uncertain if STATUS\_OPTS [10] is “Uncertain if in Manual mode.” Otherwise, the quality of OUT [7] and SELECTED [21] will be Good Noncascade.

## Limit Propagation

Refer to figure 4-14. When SELECT\_TYPE [19] is Average, Not Limited is propagated unless all inputs have the same limit status. If all inputs have the same limit status, the limit status of the inputs is propagated.

If SELECT\_TYPE [19] is Middle and the number of inputs used by the algorithm is greater than one: Not Limited is propagated unless all selected inputs have the same limit status, in which case the limit status of the inputs is propagated.

If SELECT\_TYPE [19] is Middle and a single input, or if Maximum or Minimum then: If the selected input is a constant and Middle, Constant is propagated. Otherwise, if the selected input is a constant and Maximum or Minimum, propagate low if Maximum, propagate high if Minimum. If the selected input is not a constant, propagate selected input limit as is.

When SELECT\_TYPE [19] is First Good or Hot Spare or if OP\_SELECT [22] is non-zero, propagate selected input limit as is.

## Substatus Propagation

Refer to figure 4-15. For SELECT\_TYPE [19] of Maximum, Minimum, First Good, Hot Spare, and Middle with only one input, simply propagate substatus as is.

For SELECT\_TYPE [19] of Maximum and Minimum with more than one input with the same value, propagate substatus if all inputs are the same.

For SELECT\_TYPE [19] of Average or Middle with more than one input, propagate NonSpecific.

If the status of OUT [7] is Bad, then the substatus will be as follows:

- Out of Service if the Target mode is Out of Service.
- Configuration Error with a BLOCK\_ERR [6] of Configuration Error if the Actual mode is Out of Service.
- Otherwise a substatus of Non-Specific.

Figure 4-14. Input Selector Block Limit Propagation

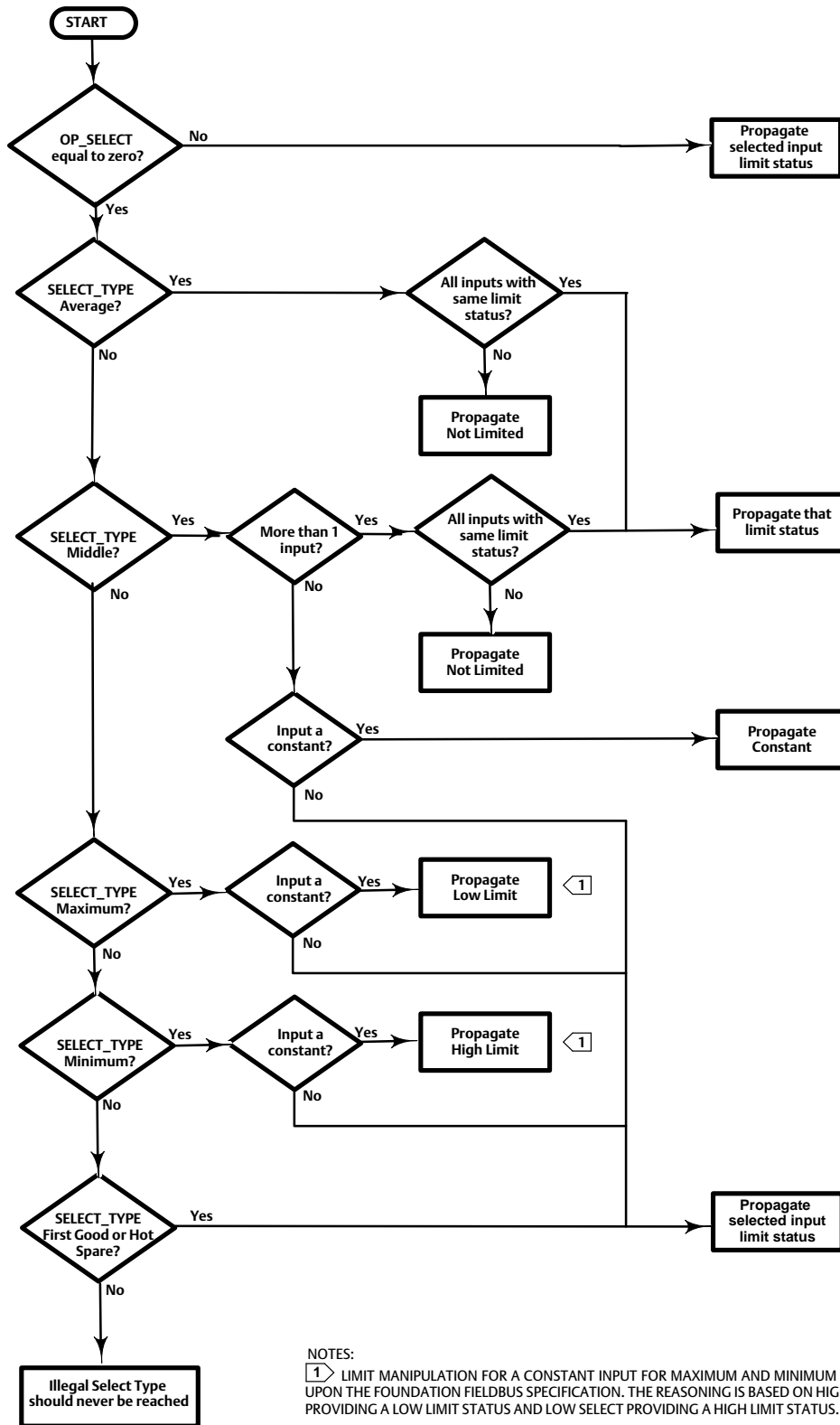
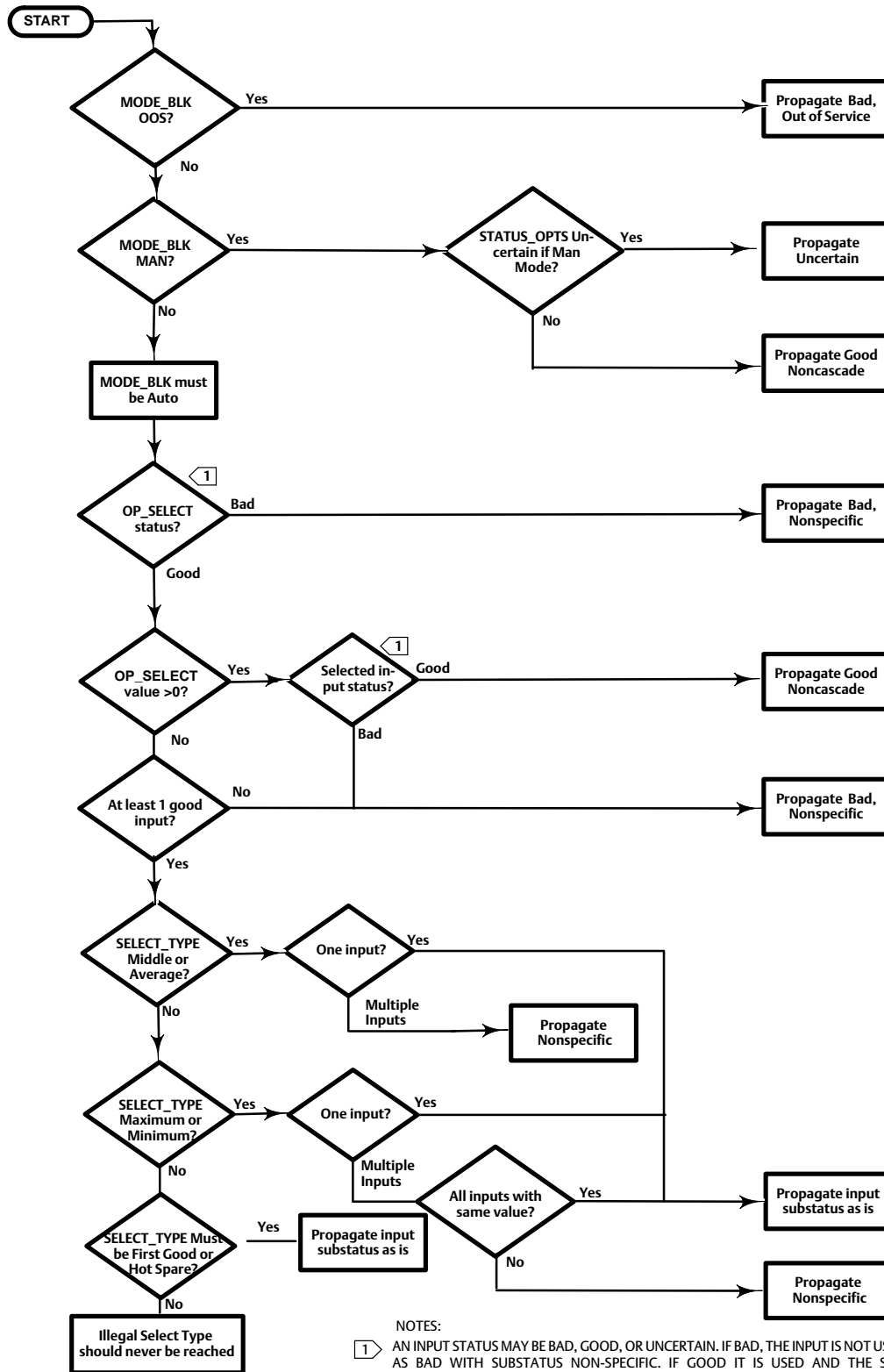


Figure 4-15. Input Selector Block Substatus Propagation



NOTES:  
 1 AN INPUT STATUS MAY BE BAD, GOOD, OR UNCERTAIN. IF BAD, THE INPUT IS NOT USED AND THE STATUS IS PROPAGATED AS BAD WITH SUBSTATUS NON-SPECIFIC. IF GOOD IT IS USED AND THE STATUS IS PROPAGATED AS GOOD (NON-CASCADE). IF UNCERTAIN, AND STATUS\_OPTS IS "USE UNCERTAIN AS GOOD" THEN THE INPUT IS USED AND THE STATUS IS PROPAGATED AS GOOD (NON-CASCADE), OTHERWISE IT IS NOT USED AND THE STATUS IS PROPAGATED AS BAD WITH SUBSTATUS NON-SPECIFIC.

## STATUS\_OPTS Supported

In the STATUS\_OPTS [10] parameter, you can select from the following options to control the status handling:

- **Use Uncertain as Good**—sets the OUT [7] status to Good when the selected input status is Uncertain.
- **Uncertain if in Manual mode**: sets the OUT [7] status to Uncertain when the mode is Manual.

---

### Note

The block mode must be Out of Service to set STATUS\_OPTS [10].

---

## Input Selection

The ISEL function block reads the values and statuses of as many as eight inputs (IN\_1 [11], IN\_2 [12], IN\_3 [13], IN\_4 [14], IN\_5 [25], IN\_6 [26], IN\_7 [27], IN\_8 [28]). To use any of the six selection algorithms to select the output, OP\_SELECT [22] must be 0. To specify which algorithm to use, configure the selector type parameter (SELECT\_TYPE [19]) as follows:

- **Maximum**—selects the input with the highest value from the inputs that are not bad and not disabled.
- **Minimum**—selects the input with the lowest value from the inputs that are not bad and not disabled.
- **Average**—calculates the average value of the inputs that are not bad and not disabled and provides it as the output. For example, if the number used to average (AVG\_USE [33]) is 4 and the number of connected inputs is 6, then the highest and lowest values would be dropped prior to calculating the average. If AVG\_USE [33] is 2 and the number of connected inputs is 7, then the two highest and lowest values would be dropped prior to calculating the average and the average would be based on the middle three inputs.
- **Middle**—If the number of good usable inputs is odd, then it selects the middle value. If the number of good usable inputs is even, then it averages the middle two values and selects status as worst of two. If both inputs' limit status are not the same then it sets limit status of Not Limited.
- **First Good**—selects the first input that is not bad and not disabled, starting with IN\_1 [11].
- **Hot Spare**—initially uses the input selected as first good. If the selected input goes bad, the first good selection is repeated. If the selected input remains good, it stays selected. If the originally selected input returns to good status the selection does not change. Selection changes only if the currently selected input goes bad.

## Disabling Inputs

Use the parameters DISABLE\_1 [15], DISABLE\_2 [16], DISABLE\_3 [17], DISABLE\_4 [18], DISABLE\_5 [29], DISABLE\_6 [30], DISABLE\_7 [31] and DISABLE\_8 [32] to disable the corresponding inputs. An input that is disabled will not be used by any of the selection algorithms.

The status of the disable parameter must be “Good,” “Good\_Cascade,” or “Uncertain” with a STATUS\_OPTS [10] of “Use Uncertain as Good” in order to be evaluated. If the status of the disable parameter is Bad, its last usable value is maintained and acted upon. If the device restarts, losing the last usable value, the last usable value is set to disabled.



IN\_1 through IN\_8 and DISABLE\_1 through DISABLE\_8 are non-volatile type parameters so if they are Linked they will automatically have Bad status until connections are re-established. If they are not Linked, they will be restored with the previous value from NVM across device restarts.

## Direct Selection of Inputs

The parameter OP\_SELECT [22] can be used to select a particular input. If OP\_SELECT [22] is non-zero, the selection algorithm is bypassed and the value of OP\_SELECT [22] is interpreted as the input number to select. If the OP\_SELECT [22] value is greater than the number of inputs, then the highest input is selected. The status of OP\_SELECT [22] must be “Good,” “Good\_Cascade,” or “Uncertain” with a STATUS\_OPTS [10] of “Use Uncertain as Good” in order to be evaluated. If the status of OP\_SELECT [22] is Bad, then the OUT [7] status is Bad.

## Identification of Selected Inputs

For a SELECT\_TYPE [19] of Maximum, Minimum, Middle, First Good, and Hot Spare, SELECTED [21] indicates the number of the selected input. When Middle is computed from more than one input, SELECTED [21] is set to 0.

For a SELECT\_TYPE [19] of Average, SELECTED [21] indicates the number of inputs used in the average calculation.

When the block mode is Manual, SELECTED [21] is set to 0.

## Alarm Detection

A block alarm will be generated whenever the BLOCK\_ERR [6] has an error bit set. The types of block error for the PID block are defined above.

Process alarm detection is based on OUT [7] value. You can configure the alarm limits of the following standard alarms:

- High (HI\_LIM [40])
- High high (HI\_HI\_LIM [38])
- Low (LO\_LIM [42])
- Low low (LO\_LO\_LIM [44])

In order to avoid alarm chattering when the variable is oscillating around the alarm limit, an alarm hysteresis in percent of the PV span can be set using the ALARM\_HYS [36] parameter. The priority of each alarm is set in the following parameters:

- HI\_PRI [39]
- HI\_HI\_PRI [37]
- LO\_PRI [41]
- LO\_LO\_PRI [43]

ACK\_OPTION [35] is used to set automatic acknowledgement of alarms.

ALARM\_SUM [34] indicates the current alert status, unacknowledged states, and disabled states of the alarms associated with the function block.

Alarms are grouped into five levels of priority, as shown in table 4-38.

Table 4-38. ISEL Function Block Alarm Priorities

Priority Number	Priority Description <sup>(1)</sup>
0	The priority of an alarm condition changes to 0 after the condition that caused the alarm is corrected.
1	An alarm condition with a priority of 1 can be recognized by the system. The device monitors the alarm but does not report it until requested by the host system.
2	An alarm condition with a priority of 2 is reported to the operator, but generally does not require operator attention (such as diagnostics and system alerts).
3-7	Alarm conditions of priority 3 to 7 are advisory alarms of increasing priority.
8-15	Alarm conditions of priority 8 to 15 are critical alarms of increasing priority.

1. The priority classes "advise" and "critical" have no relationship to Plant Web Alerts.

## Block Errors

Table 4-39 lists conditions reported in the BLOCK\_ERR [6] parameter. Conditions in *italics* are not applicable for the ISEL block and are provided only for your reference.

Table 4-39. BLOCK\_ERR Conditions

Condition Number	Condition Name and Description
0	<i>Other (N/A)</i>
1	<b>Block Configuration Error</b> - If OP_SELECT is not being used, and SELECT_TYPE = 0. This implies OP_SELECT status is good and actual mode is AUTO.
2	<i>Link Configuration Error (N/A)</i>
3	<i>Simulate Active (N/A)</i>
4	<i>Local Override (N/A)</i>
5	<i>Device Fault State Set (N/A)</i>
6	<i>Device Needs Maintenance Soon (N/A)</i>
7	<b>Input failure/process variable has Bad status</b> - Set if any IN or any DISABLE or OP_SELECT is bad and connected. This means that a status of BAD NC would not cause an input failure but a status of BAD LUV or BAD no LUV would cause an input failure.
8	<b>Output failure</b> - Set if OUT quality is bad and the Actual mode is not Out of Service.
9	<i>Memory Failure (N/A)</i>
10	<i>Lost Static Data (N/A)</i>
11	<i>Lost NV Data (N/A)</i>
12	<i>Readback Check Failed (N/A)</i>
13	<i>Device Needs Maintenance Now (N/A)</i>
14	<b>Power Up</b> - Set if the Target mode is Out of Service when powered up until the mode is changed.
15	<b>Out of Service</b> - The block is in Out of Service (OOS) mode

## ISEL Function Block Parameter List (table 4-40)

- Read/Write Capability: RO - Read Only, RW - Read Write
- Mode: The block mode(s) required to write to the parameter
- Double indentations and shaded Index Numbers indicate sub-parameters

Table 4-40. Input Selector Function Block Parameter Definitions

Label PARAMETER_NAME	Index Number	RO / RW	Block Mode	Range	Initial Value	Description
Static Revision ST_REV	1	RO	N/A	0 to 65535	0	Data Type: Unsigned16 The revision level of the static data associated with the function block. The revision value will be incremented each time a static parameter value in the block is changed.
Tag Description TAG_DESC	2	RW	ALL	7 bit ASCII	spaces	Data Type: Octet String The user description of the intended application of the block.
Strategy STRATEGY	3	RW	ALL	0 to 65535	0	Data Type: Unsigned16 The strategy field can be used to identify grouping of blocks. This data is not checked or processed by the block.
Alert Key ALERT_KEY	4	RW	ALL	1 to 255	0	Data Type: Unsigned8 The identification number of the plant unit. This information may be used in the host for sorting alarms, etc.
Block Mode MODE_BLK	5					Data Type: DS-69 Valid Bits: 7: OOS, 4: MAN, 3: AUTO The actual, target, permitted, and normal modes of the block. Target: The requested block mode Actual: The current mode of the block Permitted: Allowed modes for Target Normal: Most common mode for Target
TARGET	5.1	RW	ALL	OOS, MAN, AUTO	OOS until block is configured, then last valid target	
ACTUAL	5.2	RO	ALL			
PERMITTED	5.3	RW	ALL	OOS+MAN+AUTO	OOS+MAN+AUTO	
NORMAL	5.4	RW	ALL		AUTO	
Block Error BLOCK_ERR	6	RO	N/A	1: Block Configuration Error 7: Input Failure / Bad PV status 8: Output Failure 14: Power Up 15: Out-of-Service	Dynamic	Data Type: Bit String 0=Inactive 1=Active This parameter reflects the error status associated with the hardware or software components associated with a block. It is a bit string, so that multiple errors may be shown.
Output OUT	7		MAN OOS	Status OUT_RANGE Value	Dynamic	Data Type: DS-65 The block output value and status.
Output Range OUT_RANGE	8		ALL	EU at 100% EU at 0% Units Index Decimal Point	100 0 % 2	Data Type: DS-67 High and low scale values, engineering units code, and number of digits to the right of the decimal point associated with OUT.
Grant Deny GRANT_DENY	9					Data Type: DS-70 Options for controlling access of host computers and local control panels to operating, tuning, and alarm parameters of the block. Not used by device. GRANT: 0=N/A, 1=granted DENY: 0=N/A, 1=denied
GRANT	9.1		ALL	0: Program 1: Tune	All bits: 0	
DENY	9.2		ALL	2: Alarm 3: Local	All bits: 0	
Status Options STATUS_OPTS	10		OOS	2: Use Uncertain as GOOD 8: Uncertain if MAN	All bits: 0	Data Type: Bit String Allows you to select options for status handling and processing. The supported status option for the input selector block is: "Use Uncertain as Good", "Uncertain if Man mode."
Input 1 IN_1	11		ALL	Status Value	BAD NC constant 0	Data Type: DS-65 The block input value and status.
Input 2 IN_2	12		ALL	Status Value	BAD NC constant 0	Data Type: DS-65 The block input value and status.

-Continued-

Table 4-40. Input Selector Function Block Parameter Definitions (Continued)

Label PARAMETER_NAME	Index Number	RO / RW	Block Mode	Range	Initial Value	Description
Input 3 IN_3	13		ALL	Status	BAD NC constant	Data Type: DS-65 The block input value and status.
				Value	0	
Input 4 IN_4	14		ALL	Status	BAD NC constant	Data Type: DS-65 The block input value and status.
				Value	0	
Disable Analog Input 1 DISABLE_1	15		ALL	Status	BAD NC constant	Data Type: DS-66 Enable/Disable for Input_1, If parameter is TRUE then input is disabled. If parameter status is BAD it is not evaluated.
				Value 0=Use 1=Disable	0	
Disable Analog Input 2 DISABLE_2	16		ALL	Status	BAD NC constant	Data Type: DS-66 Enable/Disable for Input_2, If parameter is TRUE then input is disabled. If parameter status is BAD it is not evaluated.
				Value 0=Use 1=Disable	0	
Disable Analog Input 3 DISABLE_3	17		ALL	Status	BAD NC constant	Data Type: DS-66 Enable/Disable for Input_3, If parameter is TRUE then input is disabled. If parameter status is BAD it is not evaluated.
				Value 0=Use 1=Disable	0	
Disable Analog Input 4 DISABLE_4	18		ALL	Status	BAD NC constant	Data Type: DS-66 Enable/Disable for Input_4, If parameter is TRUE then input is disabled. If parameter status is BAD it is not evaluated.
				Value 0=Use 1=Disable	0	
Select Type SELECT_TYPE	19		ALL	1=First Good 2=Minimum 3=Maximum 4=Middle 5=Average 6=Hot Spare	0	Data Type: Unsigned8 Determines the selector action
Min Good MIN_GOOD	20		ALL	1 - 4 0 initial value only	0	Data Type: Unsigned8 The minimum number of inputs which are "good" is less than the value of MIN_GOOD then set the OUT status to "bad".
Selected SELECTED	21	RO	N/A	Status		Data Type: DS-66 The integer indicating the selected input number.
				Value 0 - 8	Dynamic	
Operator Select OP_SELECT	22		ALL	Status	BAD NC constant	Data Type: DS-66 An operator settable parameter to force a given input to be used.
				Value 0 - 8	0	

-Continued-

Table 4-40. Input Selector Function Block Parameter Definitions (Continued)

Label PARAMETER_NAME	Index Number	RO / RW	Block Mode	Range	Initial Value	Description
Update Event UPDATE_EVT	23					Data Type: DS-73 This alert is generated by any change to the static data.
UNACKNOWLEDGED	23.1	RW	N/A	0=Undefined 1=Acknowledged 2=Unacknowledged	0	
UPDATE_STATE	23.2	RO	N/A	0=Undefined 1=Update Reported 2=Updated not reported	0	
TIME_STAMP	23.3	RO	N/A		0	
STATIC_REVISION	23.4	RO	N/A		0	
RELATIVE_INDEX	23.5	RO	N/A		0	
Block Alarm BLOCK_ALM	24					Data Type: DS-72 The block alarm is used for all configuration, hardware, connection failure, or system problems in the block. The cause of the alert is entered in the subcode field. The first alert to become active will set the active status in BLOCK_ERR. As soon as the Unreported status is cleared by the alert reporting task, another block alert may be reported without clearing the Active status, if the subcode has changed.
UNACKNOWLEDGED	24.1	RW	N/A	0=Undefined 1=Acknowledged 2=Unacknowledged	0	
ALARM_STATE	24.2	RO	N/A	0=Undefined 1=Clear reported 2=Clear not reported 3=Active reported 4=Active not reported	0	
TIME_STAMP	24.3	RO	N/A		0	
SUBCODE	24.4	RO	N/A		0	
VALUE	24.5	RO	N/A		0	
<b>Extended Parameters</b>						
In 5 IN_5	25		ALL	Status	BAD NC constant	Data Type: DS-65 Input value and status.
				Value	0	
In 6 IN_6	26		ALL	Status	BAD NC constant	Data Type: DS-65 Input value and status.
				Value	0	
In 7 IN_7	27		ALL	Status	BAD NC constant	Data Type: DS-65 Input value and status.
				Value		
In 8 IN_8	28		ALL	Status	BAD NC constant	Data Type: DS-65 Input value and status.
				Value	0	
Disable Analog Input 5 DISABLE_5	29		ALL	Status	BAD NC constant	Data Type: DS-66 Enable/Disable for Input_5, If parameter is TRUE then input is disabled. If parameter status is BAD it is not evaluated.
				Value 0=Use 1=Disable	0	
Disable Analog Input 6 DISABLE_6	30		ALL	Status	BAD NC constant 0	Data Type: DS-66 Enable/Disable for Input_6, If parameter is TRUE then input is disabled. If parameter status is BAD it is not evaluated.
				Value 0=Use 1=Disable	0	

-Continued-

Table 4-40. Input Selector Function Block Parameter Definitions (Continued)

Label PARAMETER_NAME	Index Number	RO / RW	Block Mode	Range	Initial Value	Description
Disable Analog Input 7 DISABLE_7	31		ALL	Value	BAD NC constant	Data Type: DS-66 Enable/Disable for Input_7. If parameter is TRUE then input is disabled. If parameter status is BAD it is not evaluated.
				Status 0=Use 1=Disable	0	
Disable Analog Input 8 DISABLE_8	32		ALL	Value	BAD NC constant	Data Type: DS-66 Enable/Disable for Input_8. If parameter is TRUE then input is disabled. If parameter status is BAD it is not evaluated.
				Status 0=Use 1=Disable	0	
Number used to average AVG_USE	33			1 to 8	0	Data Type: Unsigned8 Number used to average the output. The number of min and max dropped is the number of inputs minus AVG_USE.
Alarm Summary ALARM_SUM	34					Data Type: DS-74 Current alert status, unacknowledged states, unreported states, and disabled states of the alarms associated with the function block.
CURRENT	34.1	RO	NA	1: Hi Hi 2: Hi 3: Lo Lo 4: Lo	0	
UNACKNOWLEDGED	34.2	RO	NA			
UNREPORTED	34.3	RO	NA			
DISABLED	34.4	RW	ALL			
Acknowledge Option ACK_OPTION	35		ALL			
Alarm Hysteresis ALARM_HYS	36		ALL	0 to 50%	0.50%	Data Type: Float Hysteresis on alarms
High High Priority HI_HI_PRI	37		ALL	0 TO 15	0	Data Type: Unsigned8 Priority of the alarm
High High Limit HI_HI_LIM	38		ALL		0	Data Type: Float Value of analog input which will generate an alarm
High Priority HI_PRI	39		ALL	0 TO 15	0	Data Type: Unsigned8 Priority of the alarm
High Limit HI_LIM	40		ALL		0	Data Type: Float Value of analog input which will generate an alarm
Low Priority LO_PRI	41		ALL	0 TO 15	0	Data Type: Unsigned8 Priority of the alarm
Low Limit LO_LIM	42		ALL		0	Data Type: Float Value of analog input which will generate an alarm
Low Low Priority LO_LO_PRI	43		ALL	0 TO 15	0	Data Type: Unsigned8 Priority of the alarm
Low Low Limit LO_LO_LIM	44		ALL		0	Data Type: Float Value of analog input which will generate an alarm
High High Alarm HI_HI_ALM	45					Data Type: DS-71 The high high alarm data, which includes a value of the alarm, a timestamp of occurrence, and the state of the alarm.
UNACKNOWLEDGED	45.1	RW	N/A	0=Undefined 1=Acknowledged 2=Unacknowledged	0	
ALARM_STATE	45.2	RO	N/A	0=Undefined 1=Clear reported 2=Clear not reported 3=Active reported 4=Active not reported	0	
TIME_STAMP	45.3	RO	N/A		0	
SUBCODE	45.4	RO	N/A		0	
VALUE	45.5	RO	N/A		0	

-Continued-

Table 4-40. Input Selector Function Block Parameter Definitions (Continued)

Label PARAMETER_NAME	Index Number	RO / RW	Block Mode	Range	Initial Value	Description
High Alarm HI_ALM	46					
UNACKNOWLEDGED	46.1	RW	N/A	0=Undefined 1=Acknowledged 2=Unacknowledged	0	Data Type: DS-71 The high alarm data, which includes a value of the alarm, a timestamp of occurrence, and the state of the alarm.
ALARM_STATE	46.2	RO	N/A	0=Undefined 1=Clear reported 2=Clear not reported 3=Active reported 4=Active not reported	0	
TIME_STAMP	46.3	RO	N/A		0	
SUBCODE	46.4	RO	N/A		0	
VALUE	46.5	RO	N/A		0	
Low Alarm LO_ALM	47					
UNACKNOWLEDGED	47.1	RW	N/A	0=Undefined 1=Acknowledged 2=Unacknowledged	0	Data Type: DS-71 The low alarm data, which includes a value of the alarm, a timestamp of occurrence, and the state of the alarm.
ALARM_STATE	47.2	RO	N/A	0=Undefined 1=Clear reported 2=Clear not reported 3=Active reported 4=Active not reported	0	
TIME_STAMP	47.3	RO	N/A		0	
SUBCODE	47.4	RO	N/A		0	
VALUE	47.5	RO	N/A		0	
Low Low Alarm LO_LO_ALM	48					
UNACKNOWLEDGED	48.1	RW	N/A	0=Undefined 1=Acknowledged 2=Unacknowledged	0	Data Type: DS-71 The low low alarm data, which includes a value of the alarm, a timestamp of occurrence, and the state of the alarm.
ALARM_STATE	48.2	RO	N/A	0=Undefined 1=Clear reported 2=Clear not reported 3=Active reported 4=Active not reported	0	
TIME_STAMP	48.3	RO	N/A		0	
SUBCODE	48.4	RO	N/A		0	
VALUE	48.5	RO	N/A		0	
Output Discrete OUT_D	49		MAN OOS	Status Value 0, 1		Data Type: DS-66 Discrete output to indicate a selected alarm value
Alarm Select ALM_SEL	50		ALL	Status 1: Hi Hi 2: Hi 3: Lo Lo 4: Lo	All bits:0	Data Type: Bit String Used to select the process alarm conditions that will cause the OUT_D parameter to be set.

## View Lists

View lists allow the values of a set of parameters to be accessed at the same time. Views 1 and 2 contain operating parameters and are defined by the Fieldbus Foundation. View 3 contains dynamic parameters and View 4 contains static parameters with configuration and maintenance information. Views 3 and 4 are defined by the manufacturer.

Table 4-41. ISEL Function Block, View 1

Index Number	Parameter
1	ST_REV
5.1	MODE_BLK.TARGET_MODE
5.2	MODE_BLK.ACTUAL_MODE
5.3	MODE_BLK.PERMITTED_MODE
5.4	MODE_BLK.NORMAL_MODE
6	BLOCK_ERR
7	OUT
11	IN_1
12	IN_2
13	IN_3
14	IN_4
15	DISABLE_1
16	DISABLE_2
17	DISABLE_3
18	DISABLE_4
21	SELECTED
22	OP_SELECT
25	IN_5
26	IN_6
27	IN_7
28	IN_8
29	DISABLE_5
30	DISABLE_6
31	DISABLE_7
32	DISABLE_8
34.1	ALARM_SUM.CURRENT
34.2	ALARM_SUM.UNACKNOWLEDGED
34.3	ALARM_SUM.UNREPORTED
34.4	ALARM_SUM.DISABLED

Table 4-42. ISEL Function Block, View 2

Index Number	Parameter
1	ST_REV
8	OUT_RANGE
9.1	GRANT_DENY.GRANT
9.2	GRANT_DENY.DENY

Table 4-43. ISEL Function Block, View 3

Index Number	Parameter
1	ST_REV
5.1	MODE_BLK.TARGET_MODE
5.2	MODE_BLK.ACTUAL_MODE
5.3	MODE_BLK.PERMITTED_MODE
5.4	MODE_BLK.NORMAL_MODE
6	BLOCK_ERR
7	OUT
11	IN_1
12	IN_2
13	IN_3
14	IN_4
15	DISABLE_1
16	DISABLE_2
17	DISABLE_3
18	DISABLE_4
21	SELECTED
22	OP_SELECT
25	IN_5
26	IN_6
27	IN_7
28	IN_8
29	DISABLE_5
30	DISABLE_6
31	DISABLE_7
32	DISABLE_8
34.1	ALARM_SUM.CURRENT
34.2	ALARM_SUM.UNACKNOWLEDGED
34.3	ALARM_SUM.UNREPORTED
34.4	ALARM_SUM.DISABLED
49	OUT_D

Table 4-44. ISEL Function Block, View 4

Index Number	Parameter
1	ST_REV
3	STRATEGY
4	ALERT_KEY
10	STATUS_OPTS
19	SELECT_TYPE
20	MIN_GOOD
33	AVG_USE
35	ACK_OPTION
36	ALARM_HYS
37	HI_HI_PRI
38	HI_HI_LIM
39	HI_PRI
40	HI_LIM
41	LO_PRI
42	LO_LIM
43	LO_LO_PRI
44	LO_LO_LIM
50	ALM_SEL



# Field Communicator Menu Structure

## INPUT SELECTOR FUNCTION BLOCK

### Quick Config

Alert Key  
 Min Good  
 Output Range: EU at 100%  
 Output Range: EU at 0%  
 Output Range: Units Index  
 Output Range: Decimal  
 Select Type

### Common Config

Min Good  
 Block Mode: Target  
 Block Mode: Actual  
 Block Mode: Permitted  
 Block Mode: Normal  
 Output Range: EU at 100%  
 Output Range: EU at 0%  
 Output Range: Units Index  
 Output Range: Decimal  
 Select Type

### Advanced Config

Alert Key  
 Static Revision  
 Status Options  
 Strategy

### Connectors

Disable Analog Input 1: Status  
 Disable Analog Input 1: Value  
 Disable Analog Input 2: Status  
 Disable Analog Input 2: Value  
 Disable Analog Input 3: Status  
 Disable Analog Input 3: Value  
 Disable Analog Input 4: Status  
 Disable Analog Input 4: Value  
 Input 1: Status  
 Input 1: Value  
 Input 2: Status  
 Input 2: Value  
 Input 3: Status  
 Input 3: Value  
 Input 4: Status  
 Input 4: Value  
 Operator Select: Status  
 Operator Select: Value  
 Output: Status  
 Output: Value  
 Selected: Status  
 Selected: Value

### Online

Block Error  
 Disable Analog Input 1: Status  
 Disable Analog Input 1: Value  
 Disable Analog Input 2: Status  
 Disable Analog Input 2: Value  
 Disable Analog Input 3: Status  
 Disable Analog Input 3: Value  
 Disable Analog Input 4: Status  
 Disable Analog Input 4: Value  
 Input 1: Status  
 Input 1: Value  
 Input 2: Status  
 Input 2: Value  
 Input 3: Status  
 Input 3: Value  
 Input 4: Status  
 Input 4: Value  
 Block Mode: Target  
 Block Mode: Actual  
 Block Mode: Permitted  
 Block Mode: Normal  
 Operator Selected: Status  
 Operator Selected: Value  
 Output: Status  
 Output: Value  
 Selected: Status  
 Selected: Value

### Status

Block Error

### All

Characteristics  
 Static Revision  
 Tag Description  
 Strategy  
 Alert Key  
 Block Mode: Target  
 Block Mode: Actual  
 Block Mode: Permitted  
 Block Mode: Normal  
 Block Error  
 Output: Status  
 Output: Value  
 Output Range: EU at 100%  
 Output Range: EU at 0%  
 Output Range: Units Index  
 Output Range: Decimal  
 Grant Deny: Grant  
 Grant Deny: Deny  
 Status Options  
 Input 1: Status  
 Input 1: Value  
 Input 2: Status  
 Input 2: Value  
 Input 3: Status  
 Input 3: Value  
 Input 4: Status  
 Input 4: Value  
 Disable Analog Input 1: Status  
 Disable Analog Input 1: Value  
 Disable Analog Input 2: Status  
 Disable Analog Input 2: Value  
 Disable Analog Input 3: Status  
 Disable Analog Input 3: Value  
 Disable Analog Input 4: Status  
 Disable Analog Input 4: Value  
 Select Type  
 Min Good  
 Selected: Status  
 Selected: Value  
 Operator Select: Status  
 Operator Select: Value  
 Update Event: Unacknowledged  
 Update Event: Update State  
 Update Event: Time Stamp  
 Update Event: Static Rev  
 Update Event: Relative Index  
 Block Alarm: Unacknowledged  
 Block Alarm: Alarm State  
 Block Alarm: Time Stamp  
 Block Alarm: Subcode  
 Block Alarm: Value  
 Analog Input 5: Status  
 Analog Input 5: Value  
 Analog Input 6: Status  
 Analog Input 6: Value  
 Analog Input 7: Status  
 Analog Input 7: Value  
 Analog Input 8: Status  
 Analog Input 8: Value  
 Disable Analog Input 5: Status  
 Disable Analog Input 5: Value  
 Disable Analog Input 6: Status  
 Disable Analog Input 6: Value  
 Disable Analog Input 7: Status  
 Disable Analog Input 7: Value  
 Disable Analog Input 8: Status  
 Disable Analog Input 8: Value  
 Number Used to average

### All continued

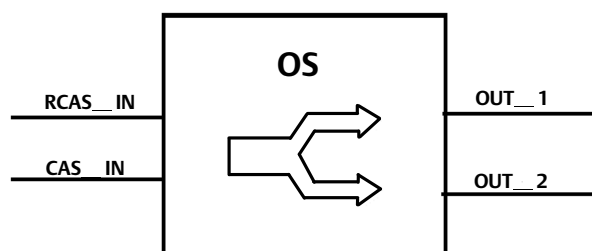
Alarm Summary: Current  
 Alarm Summary: Unacknowledged  
 Alarm Summary: Unreported  
 Alarm Summary: Disabled  
 Acknowledge Option  
 Alarm Hysteresis  
 High High Priority  
 High High Limit  
 High Priority  
 High Limit  
 Low Priority  
 Low Limit  
 Low Low Priority  
 Low Low Limit  
 High High Alarm: Unacknowledged  
 High High Alarm: Alarm State  
 High High Alarm: Time Stamp  
 High High Alarm: Subcode  
 High High Alarm: Float Value  
 High Alarm: Unacknowledged  
 High Alarm: Alarm State  
 High High Alarm: Time Stamp  
 High Alarm: Subcode  
 High Alarm: Float Value  
 Low Alarm: Unacknowledged  
 Low Alarm: Alarm State  
 Low Alarm: Time Stamp  
 Low Alarm: Subcode  
 Low Alarm: Float Value  
 Low Low Alarm: Unacknowledged  
 Low Low Alarm: Alarm State  
 Low Low Alarm: Time Stamp  
 Low Low Alarm: Subcode  
 Low Low Alarm: Float Value  
 Alarm Output: Status  
 Alarm Output: Value  
 Alarm Select

## Output Splitter Function Block

### Overview

The Output Splitter (OS) block (figure 4-16) provides the capability to drive two control outputs from a single input. Each output is a linear function of some portion of the input. Back calculation support is provided using the same linear function in reverse. Cascade initialization is supported by a decision table for combinations of input and output conditions.

Figure 4-16. Output Splitter (OS) Function Block



This block is normally used in split ranging or sequencing of multiple valve applications. A typical split range application has both valves closed when the splitter input is 50%. One valve opens fully as the input drops to 0%. The other valve opens as the input rises above 50%.

A typical sequencing application has both valves closed at 0% input. One valve fully opens as the input rises to 50% and the other stays shut. The second valve opens as the input rises above 50%, and the first valve may remain open or shut off quickly.

Because this block is in the control path, it is able to pass limit and cascade initialization information back to the upstream block. Table 4-48 lists the OS block parameters and their descriptions, units of measure, and index numbers. Figures 4-17 and 4-18 illustrate the internal components of the OS function block.

Figure 4-17. Output Splitter Function Block Schematic

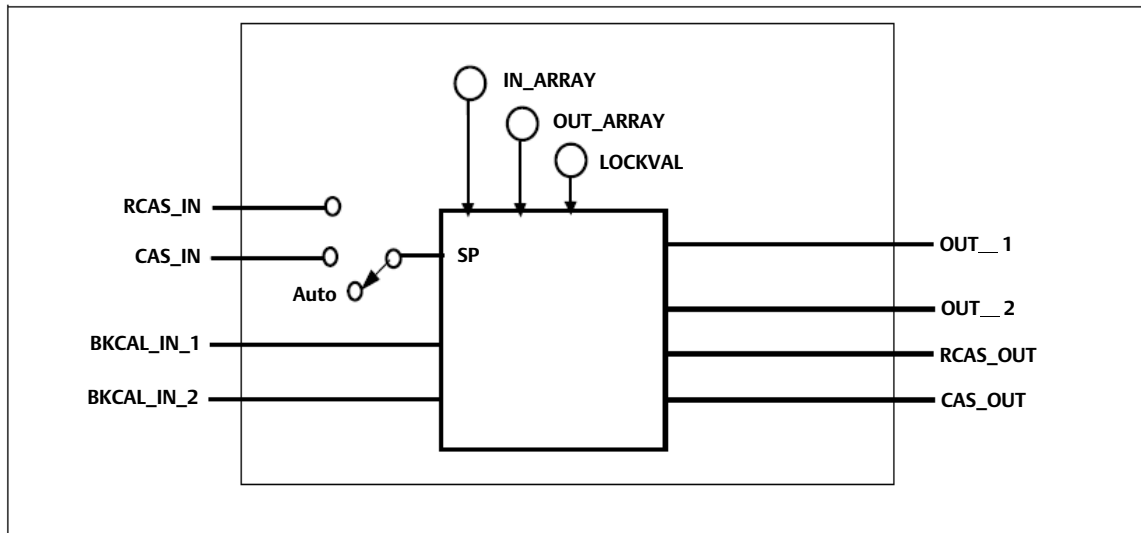
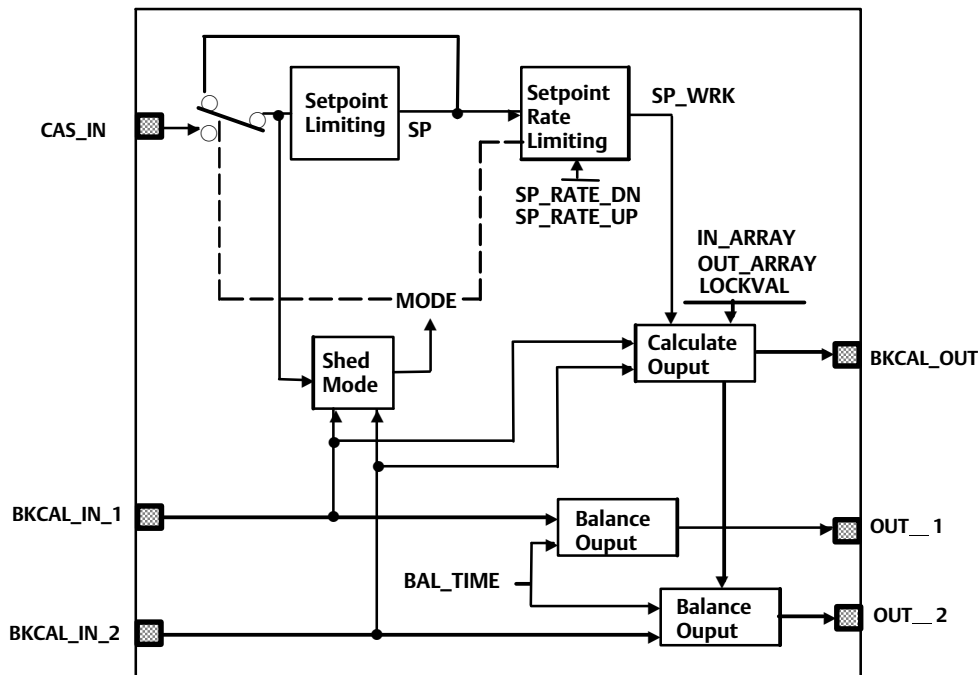


Figure 4-18. Output Splitter Function Block Schematic Diagram



## Modes

The Output Splitter function block supports the following actual modes:

- **Out of Service (OOS)**—The block is not processed. FIELD\_VAL and PV are not updated and the OUT status is set to Bad: Out of Service. The BLOCK\_ERR parameter shows Out of Service. In this mode, you can make changes to all configured parameters.

By using permitted mode the target mode of a block may be restricted to one or more of the following modes: Cas, Auto or OOS.

---

**Note**

The output splitter function block must be in Auto for the mode to go to CAS.

---

- **Initialization Manual (IMan)**—The output path is not complete (for example, the cascade-to-slave path might not be open). In IMan mode, OUT tracks BKCAL\_IN, which allows for bumpless transfer of control.
- **Automatic (Auto)**—The block outputs (OUT\_1 and OUT\_2) reflect the target operating point specified by the setpoint (SP) parameter.
- **Cascade (Cas)**—The SP parameter is set by another function block through a connection to CAS\_IN. The SP value is used to set the OUT parameters automatically. This is the most frequently used mode in this block.

The block's normal mode is Cascade (Cas). You can isolate the block for testing by using Automatic (Auto) mode and adjusting the setpoint.

When a block attached to an output requests initialization, one of the following actions might occur:

- When the other output is not in Cas mode, the block attached to the input is initialized.
- When the other output is in Cas mode, this output returns to the value calculated from its slope in a specified time period.

## Status Handling

Sub-status value received at CAS\_IN [14] is passed to both outputs, except for those used in the cascade handshake. An IFS goes to both outputs. The status option IFS if Bad CAS\_IN is available.

If the Status Option to Propagate failure is set, the block propagates device failure only if both BKCAL\_IN show failed status. Otherwise the upstream cascade would be broken by a failure at either output.

The statuses of OUT\_1 [8] and OUT\_2 [9] are determined by the statuses of BKCAL\_IN\_1 and BKCAL\_IN\_2 and the actual mode of the block.

When a BKCAL\_IN input sees that its downstream block is not in Cas mode, the Splitter function block sets the corresponding OUT value to the BKCAL\_IN value. However, this may not be the same value that is calculated by the splitter algorithm. When the mode of the downstream block is changed to Cas, the difference between the calculated output and the back-calculation input is computed and the difference is added to the calculated output. Next, the difference is reduced to zero over the time defined by the BAL\_TIME parameter.

When both BKCAL\_IN\_1 and BKCAL\_IN\_2 indicate that the downstream blocks are not in Cas mode or have Bad status, the first downstream block that goes to Cas mode causes the upstream block to initialize so that there is no difference between the calculated output and the back-calculation input. This provides bumpless transfer for the first downstream block.

## Limit Handling

The splitter function block is designed to combine the limit information from the two downstream blocks into limits for the upstream block. The general principle is to allow the upstream block to continue control for as long as possible.

The upstream block is high-limited (BKCAL\_OUT of the Splitter block has high-limited status) when:

- Both downstream blocks are high-limited (both BKCAL\_INS of the Splitter block have high-limited status)

or

- One downstream block is high-limited, the associated output slope is positive, and the other block has Bad status or is not in Cas mode

or

- One downstream block is low-limited, the associated output slope is negative, and the other block has Bad status or is not in Cas mode

or

- SP is greater than or equal to X22

The upstream block is low-limited when:

- Both downstream blocks are low-limited

or

- One downstream block is low-limited, the associated output slope is positive, and the other block has Bad status or is not in Cas mode

or

- One downstream block is high-limited, the associated output slope is negative, and the other block has Bad status or is not in Cas mode

or

- SP is less than or equal to X11

## Input to Output Mapping

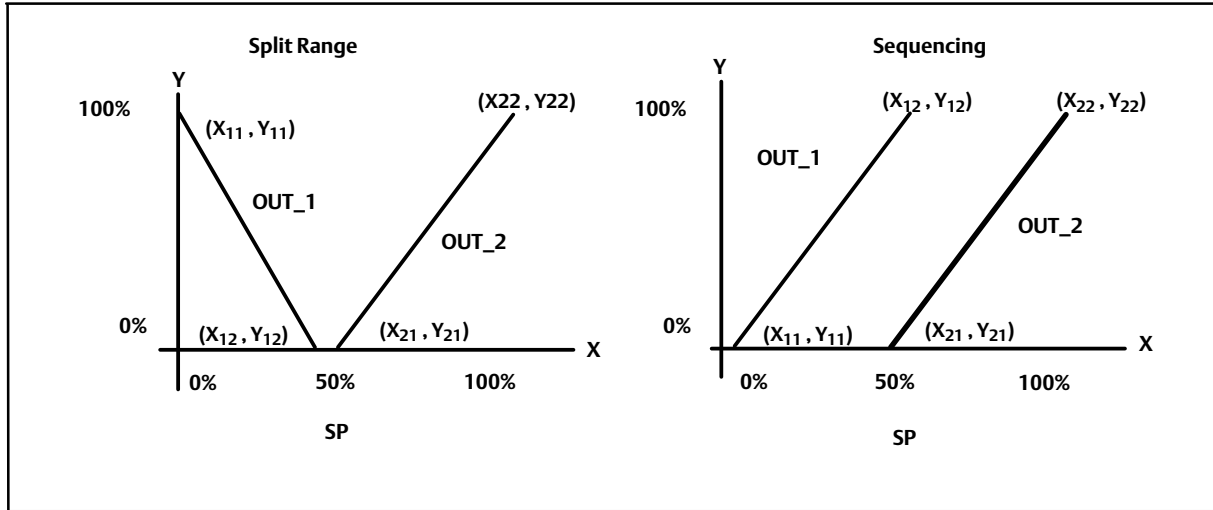
The relationship of each output to the input may be defined by a line. Each line may be defined by its endpoints. Examples of graphical representations of OUT\_1 and OUT\_2 vs. SP are shown in figure 4-19 for a split range and a sequencing application.

The block has the same SP structure as the PID block, except that there is no limiting applied to the SP. The SP may be used in Auto mode for testing. The operator would use the output of the PID to accomplish the same purpose. Each downstream block can be taken out of cascade if it becomes necessary to gain control of them.

The examples shown in figure 4-19 do not show the full range of possibilities. The lines could overlap like an X, or both start from the origin but have different slopes. The endpoints do not have to lie within 0-100%. Limits in the external

blocks may effect the useful range of a line. Units of percent are used in the examples because the common application of this block is to valves, but any units may be used to suit the application.

Figure 4-19. Split Range and Sequence Operation



The following parameters as paired coordinates are used to specify the output splitter operation:

$X_{11}, Y_{11}, X_{12}, Y_{12}$

$X_{21}, Y_{21}, X_{22}, Y_{22}$

Where  $X_{nj}$  is the value of SP associated with  $OUT\_n$  and  $X_{n1}$  and  $X_{n2}$  refer to the 1st and 2nd coordinates of the nth curve respectively.  $Y_{nj}$  is the value of  $OUT\_n$  and  $Y_{n1}$  and  $Y_{n2}$  refer to the 1st and 2nd coordinates of the nth curve respectively.

By specifying the coordinates as shown in tables 4-45 and 4-46, the endpoints of the lines are defined. The contents of the respective X's are held in the IN\_ARRAY parameter and the contents of the respective Y's are held in the OUT\_ARRAY parameter. If a set of points are specified such that a region of the input range is not specified, then the corresponding  $OUT\_n$  will be set to the closest endpoint of the input value, either high or low, when the specified region is exceeded.

Table 4-45. IN\_ARRAY Coordinates

Index	Coordinate
0	$X_{11}$ - Start value of SP for the $OUT\_1$ line. ( $X_{11} < X_{12}$ )
1	$X_{12}$ - End value of SP for the $OUT\_1$ line. ( $X_{11} < X_{12}$ )
2	$X_{21}$ - Start value of SP for the $OUT\_2$ line. ( $X_{21} < X_{22}$ )
3	$X_{22}$ - End value of SP for the $OUT\_2$ line. ( $X_{21} < X_{22}$ )

Table 4-46. OUT\_ARRAY Coordinates

Index	Coordinate
0	$Y_{11}$ - Value of $OUT\_1$ at $X_{11}$
1	$Y_{12}$ - Value of $OUT\_1$ at $X_{12}$
2	$Y_{21}$ - Value of $OUT\_2$ at $X_{21}$
3	$Y_{22}$ - Value of $OUT\_2$ at $X_{22}$

A configuration error is set in BLOCK\_ERR and the actual mode of the block goes to Out of Service if the X values have any of the following conditions:  $X_{21} < X_{11}$ ,  $X_{12} <= X_{11}$ ,  $X_{22} <= X_{21}$ .

Refer to figure 4-20 for an example of LOCKVAL = true, and figure 4-21 for an example of LOCKVAL = false. The parameter LOCKVAL provides an option to specify whether  $OUT\_1$  remains at its ending level when control is switched

to OUT\_2, or goes to  $Y_{11}$ . If LOCKVAL is true, OUT\_1 remains at its ending value when X is greater than  $X_{12}$ . If LOCKVAL is false, then OUT\_1 goes to  $Y_{11}$  when X is greater than  $X_{12}$ .

Figure 4-20. OUT with LOCKVAL True

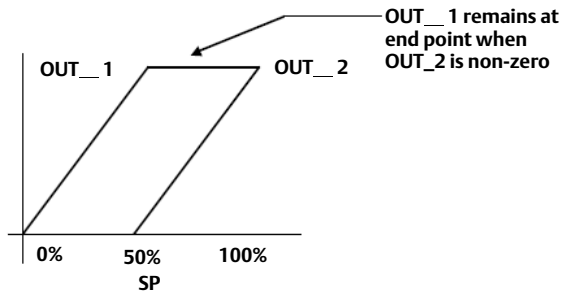
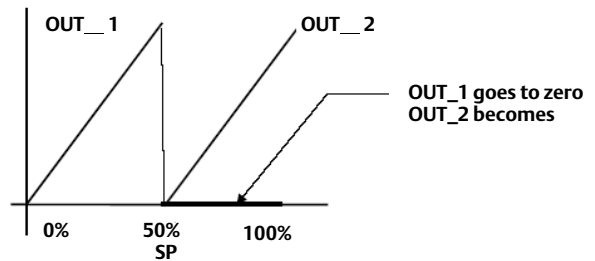


Figure 4-21. OUT with LOCKVAL False



Some hysteresis in the switching point may be required because the output may change by a full stroke of the valve. HYSTVAL [12] contains the amount of hysteresis. If  $X \leq X_{12} - \text{HYSTVAL}$ , OUT\_1 may be determined by the calculated y value. If  $X_{12} - \text{HYSTVAL} < X < X_{12}$  and X has not reached  $X_{12}$  since it was less than  $X_{12} - \text{HYSTVAL}$ , OUT\_1 may be determined by the calculated y value. If  $X_{12} - \text{HYSTVAL} < X < X_{12}$  and X has reached  $X_{12}$  since it was less than  $X_{12} - \text{HYSTVAL}$ , OUT\_1 may be determined by the LOCKVAL setting. If  $X_{12} < X$ , OUT\_1 may be determined by the LOCKVAL setting.

## Initialization and Back Calculation Requirements

Refer to figure 4-22, Output Splitter Configuration, where:

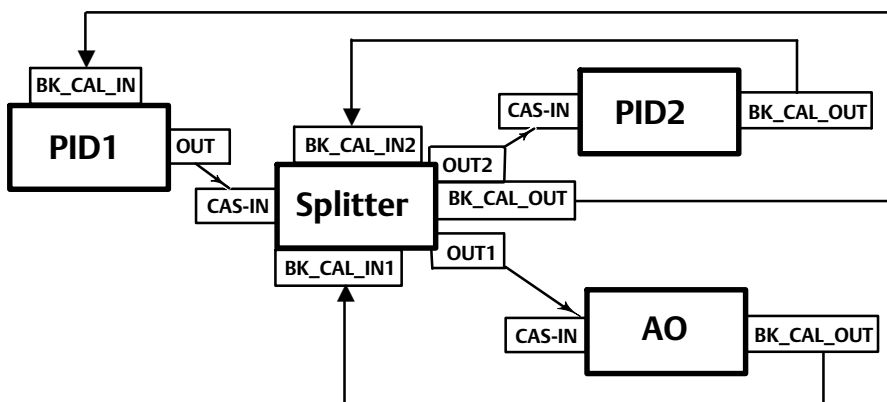
PID1 = Upstream driving controller or function block.

Splitter = Split range function block being described.

AO = Receiver of OUT\_1 for 0-50% range of SP

PID2 = Receiver of OUT\_2 for 50-100% range of SP

Figure 4-22. Output Splitter Configuration



CAS\_IN of the Splitter receives the OUT of PID1. BKCAL\_IN of PID1 receives BKCAL\_OUT of the Splitter. CAS\_IN of the AO receives OUT\_1 of the Splitter and PID2 receives OUT\_2 of the Splitter. BKCAL\_IN\_1 of the Splitter receives BKCAL\_OUT of the AO and BKCAL\_IN\_2 of the Splitter receives BKCAL\_OUT of PID2.

The discussion in this section defines the behavior which is used to handle the initial value calculation and status which can in turn be sent to PID1. This behavior is defined in such a way that no “bumps” are generated by changing modes, and that PID1 does not wind up.

The splitter utilizes special handling for cascade initialization because it has two independent outputs. When a downstream block indicates to the splitter that it wants to initialize, by asserting IR (initialization request) on its BKCAL\_OUT, one of two things happens. Under some circumstances, it is possible to pass an initialization request from a downstream block back up to the block upstream of the splitter, so that all three blocks balance for bumpless transfer to cascade mode. Otherwise, the requested splitter output goes to the requested value by placing an internal offset between that output and the output of the curve, and then ramping that offset to zero in BAL\_TIME seconds after the cascade is made up.

The splitter normally runs with both outputs connected to blocks in cascade mode. If one or both of the blocks is not in cascade mode, special limiting action is taken. Specifically, if one block indicates that it is not in cascade by NI (not invited) status on its BKCAL\_OUT, then the BKCAL\_OUT of the splitter asserts limits at the range extremes of the block that is still in cascade mode. Even if the upstream controller does not want to operate in that range, there will be no reset windup when it can move into the range. If both downstream blocks show NI, then the splitter can only wait until one of them requests cascade initialization. BKCAL\_OUT of the splitter can hold the upstream block at the value of the SP. The actual mode is IMan.

When cascade initialization is requested, by IR substatus on a BKCAL\_IN, it is first necessary to determine if the other BKCAL\_IN has NI substatus. If so, the value at the BKCAL\_IN asserting IR is taken as the Y value for its curve, and the resulting X value is sent on BKCAL\_OUT to PID1. If the other substatus is OK, then the internal offset and BAL\_TIME is used. If both blocks have IR substatus, then one output is processed until its cascade is closed. The choice is based on the presence of limit status in BKCAL\_IN. If BKCAL\_IN\_1 is limited, then if BKCAL\_IN\_2 is not limited then OUT\_2 is processed first, else OUT\_1 is processed first.

Cascade initialization is also required when the block transitions from Auto to Cas mode. This action is identical to that described for the PID block.

The required actions are summarized in table 4-47.

Table 4-47. OUT\_ARRAY Coordinates

BKCAL_IN_1	BKCAL_IN_2	BKCAL_OUT	Action
NI	NI	NI	Not Specified
NI	OK	OK	BKCAL_OUT limited to X21 low and X22 high
OK	NI	OK	BKCAL_OUT limited to X11 and X12 high
IR	NI	IR	Initialize cascade to value given by curve X1 vs Y1
IR	OK	OK	Initialize OUT_1 using internal offset from Y1
NI	IR	IR	Initialize cascade to value given by curve X2 vs Y2
OK	IR	OK	Initialize OUT_2 using internal offset from Y2

Note 1: OK means the cascade is closed.  
 Note 2: Recommend using the average of BKCAL\_IN\_1 and BKCAL\_IN\_2, or just SP.

The BKCAL\_OUT status shows limited high if an increase in SP cannot be effectively passed on to either output because the BKCAL\_IN\_n of both outputs indicates that a move in the needed direction is limited. Similarly, limited low is set if a decrease in SP cannot be effectively passed on to either output. The slope of the limited line(s) affects the limit direction. BKCAL\_OUT also shows limit status at the X extremes X11 and X22.

Initialization is not automatic under all circumstance because some situations have conflicting needs. In general, when a control region is in trouble, the upstream controller is limited so it will not drive further into that region. When you want to move to the other active region, you can put the upstream controller into Man mode and move it, or you can



drop the good downstream block out of Cas mode for one evaluation cycle and then restore Cas mode. This initializes the upstream controller to the remaining good region of control.

## OS Function Block Parameter List (table 4-48)

- Read/Write Capability: RO - Read Only, RW - Read Write
- Mode: The block mode(s) required to write to the parameter
- Double indentation and shaded Index Number indicates sub-parameter

Table 4-48. Output Splitter Function Block Parameter Definitions

Label PARAMETER_NAME	Index Number	RO / RW	Block Mode	Range	Initial Value	Description
Static Revision ST_REV	1	RO	N/A	0 to 65535	0	Data Type: Unsigned16 The revision level of the static data associated with the function block. The revision value will be incremented each time a static parameter value in the block is changed.
Tag Description TAG_DESC	2	RW	ALL	7 bit ASCII	Spaces	Data Type: Octet String The user description of the intended application of the block.
Strategy STRATEGY	3	RW	ALL	0 to 65535	0	Data Type: Unsigned 16: The strategy field can be used to identify grouping of blocks. This data is not checked or processed by the block.
Alert Key ALERT_KEY	4	RW	ALL	1 to 255	0	Data Type: Unsigned8 The identification number of the plant unit. This information may be used in the host for sorting alarms, etc.
Block Mode MODE_BLK	5					Data Type: DS-69 The actual, target, permitted, and normal modes of the block. Target: The requested block mode Actual: The current mode of the block Permitted: Allowed modes for Target Normal: Most common mode for Target
TARGET	5.1	RW		7:OOS 3:AUTO 2:CAS	OOS until block configured, then last valid target	
ACTUAL	5.2	RO			OOS	
PERMITTED	5.3	RW		OOS+AUTO+CAS	OOS AUTO CAS	
NORMAL	5.4	RW			AUTO+CAS	
Block Error BLOCK_ERR	6	RO	N/A	1: Block Configuration Error 7: Input Failure/Bad PV Status 8: Output Failure 14: Power-up 15: Out-of-Service	Dynamic	Data Type: Bit String 0=Inactive 1=Active This parameter reflects the error status associated with the hardware or software components associated with a block. It is a bit string, so that multiple errors may be shown.
Setpoint SP	7			PV_SCALE +/- 10%		Data Type: DS-65 Analog setpoint of the block
Output 1 OUT_1	8		MAN OOS	OUT_SCALE +/- 10%		Data Type: DS-65 The primary analog output value calculated as a result of executing the function (the first output value and status).
Output 2 OUT_2	9		MAN OOS	OUT_SCALE +/- 10%		Data Type: DS-65 The primary analog output value calculated as a result of executing the function (the second output value and status).
Output 1 Range OUT_1_RANGE	10	RO		EU at 100% EU at 0% Unit Index Decimal Point	100 0 % 2	Data Type: DS-68 The high and low scale values, engineering units code, and number of decimal places to be used in displaying the OUT value, this parameter has no effect on this block.

-Continued-

Table 4-48. Output Splitter Function Block Parameter Definitions (Continued)

Label PARAMETER_NAME	Index Number	RO / RW	Block Mode	Range	Initial Value	Description
Output 2 Range OUT_2_RANGE	11	RO		EU at 100% EU at 0% Unit Index Decimal Point	100 0 % 2	Data Type: DS-68 The high and low scale values, engineering units code, and number of decimal places to be used in displaying the OUT value, this parameter has not effect on this block.
Grant Deny GRANT_DENY	12					Data Type: DS-70 Options for controlling access of host computers and local control panels to operating, tuning, and alarm parameters of the block. GRANT:0=N/A, 1=granted DENY: 0=N/A, 1= denied
GRANT	12.1		N/A	0: Program 1: Tune	All bits: 0	
DENY	12.2		N/A	2: Alarm 3: Local	All bits: 0	
Status Options STATUS_OPTS	13		OOS	1: IFS if BAD CAS_IN	All bits: 0	Data Type: Bit String 0=Disabled 1=Enabled User option for status
Cascade Input CAS_IN	14			Status	BAD: NC: const	Data Type: DS-65 The remote setpoint from another block.
				Value	0	
Back Calculation Output BKCAL_OUT	15	RO		Status Limits		Data Type: DS-65 Output value to another block for backwards output tracking.
Input Array IN_ARRAY	16				All: 0	Data Type: Float Used with OUT_ARRAY to map input to output. See Input to Output Mapping, page 139.
Output Array OUT_ARRAY	17				All: 0	Data Type: Float Used with IN_ARRAY to map input to output. See Input to Output Mapping, page 139.
Lockval LOCKVAL	18			0=Undefined 1=no lock 2=lock	0= Undefined	Data Type: Enum Used with OUT_ARRAY to map input to output. See Input to Output Mapping, page 139.
Back Calculation Input 1 BKCAL_1_IN	19			Status	BAD: NC: const	Data Type: DS-65 The value and status reflecting the BKCAL_OUT of the lower block associated with OUT_1. It is used for initialization and to prevent windup in upstream blocks.
				Value	0	
Back Calculation Input 2 BKCAL_2_IN	20			Status	BAD: NC: const	Data Type: DS-65 The value and status reflecting the BKCAL_OUT of the lower block associated with OUT_2. It is used for initialization and to prevent windup in upstream blocks.
				Value	0	
Balance Time BAL_TIME	21			Positive	0	Data Type: Float Specifies the time for the internal working value of bias or ratio to return to the operator set bias or ratio, in seconds.
Hystval HYSTVAL	22					
Update Event UPDATE_EVT	23	RO	N/A			
UNACKNOWLEDGED	23.1	RW	N/A	0=Undefined 1=Acknowledged 2=Unacknowledged	0= Undefined	
UPDATE STATE	23.2	RO	N/A	0=Undefined 1=Update Reported 2=Updated not reported	0= Undefined	Data Type: DS-73 This alert is generated by any change to the static data.
TIME_STAMP	23.3	RO	N/A		0	
STATIC_REVISION	23.4	RO	N/A		0	
RELATIVE_INDEX	23.5	RO	N/A		0	

-Continued-

Table 4-48. Output Splitter Function Block Parameter Definitions (Continued)

Label PARAMETER_NAME	Index Number	RO / RW	Block Mode	Range	Initial Value	Description
Block Alarm BLOCK_ALM	24					Data Type: DS-72 The block alarm is used for all configuration, hardware, connection failure, or system problems in the block. The cause of the alert is entered in the subcode field.
UNACKNOWLEDGED	24.1	RW	N/A	0: Undefined 1: Acknowledged 2: Unacknowledged		
ALARM_STATE	24.2	RO	N/A	0: Undefined 1: Clear reported 2: Clear not reported 3: Active reported 4: Active not reported		
TIME_STAMP	24.3	RO	N/A			
SUBCODE	24.4	RO	N/A			
VALUE	24.5	RO	N/A			

## View Lists

View lists allow the values of a set of parameters to be accessed at the same time. Views 1 and 2 contain operating parameters and are defined by the Fieldbus Foundation. View 3 contains dynamic parameters and View 4 contains static parameters with configuration and maintenance information. Views 3 and 4 are defined by the manufacturer.

Table 4-49. OS Function Block, View 1

Index Number	Parameter
1	ST_REV
5.1	MODE_BLK.TARGET_MODE
5.2	MODE_BLK.ACTUAL_MODE
5.3	MODE_BLK.PERMITTED_MODE
5.4	MODE_BLK.NORMAL_MODE
6	BLOCK_ERR
7	SP
8	OUT_1
9	OUT_2
14	CAS_IN

Table 4-50. OS Function Block, View 2

Index Number	Parameter
1	ST_REV
10	OUT_1_RANGE
11	OUT_2_RANGE
12.1	GRANT_DENY.GRANT
12.2	GRANT_DENY.DENY

Table 4-51. OS Function Block, View 3

Index Number	Parameter
1	ST_REV
5.1	MODE_BLK.TARGET_MODE
5.2	MODE_BLK.ACTUAL_MODE
5.3	MODE_BLK.PERMITTED_MODE
5.4	MODE_BLK.NORMAL_MODE
6	BLOCK_ERR
7	SP
8	OUT_1
9	OUT_2
14	CAS_IN
15	BKCAL_OUT
19	BKCAL_1_IN
20	BKCAL_2_IN

Table 4-52. OS Function Block, View 4

Index Number	Parameter
1	ST_REV
3	STRATEGY
4	ALERT_KEY
13	STATUS_OPTS
16	IN_ARRAY
17	OUT_ARRAY
18	LOCKVAL
21	BAL_TIME

# Field Communicator Menu Structure

## OUTPUT SPLITTER FUNCTION BLOCK

All

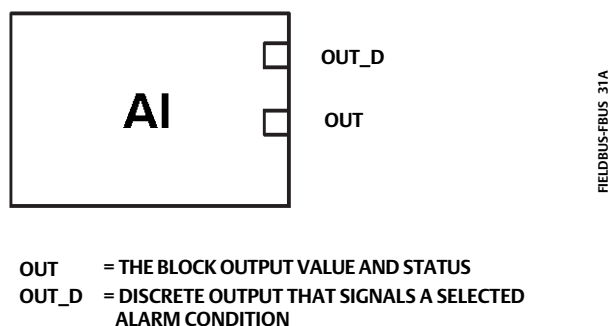
Characteristics  
Static Revision  
Tag Description  
Strategy  
Alert Key  
Block Mode: Target  
Block Mode: Actual  
Block Mode: Permitted  
Block Mode: Normal  
Block Error  
Setpoint: Status  
Setpoint: Value  
Output 1: Status  
Output 1: Value  
Output 2: Status  
Output 2: Value  
Output 1 Range: EU at 100%  
Output 1 Range: EU at 0%  
Output 1 Range: Units Index  
Output 1 Range: Decimal  
Output 2 Range: EU at 100%  
Output 2 Range: EU at 0%  
Output 2 Range: Units Index  
Output 2 Range: Decimal  
Grant Deny: Grant  
Grant Deny: Deny  
Status Options  
Cascade Input: Status  
Cascade Input: Value  
Back Calculation Output: Status  
Back Calculation Output: Value  
Input Array[1]  
Input Array[2]  
Input Array[3]  
Input Array[4]  
Output Array[1]  
Output Array[2]  
Output Array[3]  
Output Array[4]  
Lockval  
Back Calculation Input 1: Status  
Back Calculation Input 1: Value  
Back Calculation Input 2: Status  
Back Calculation Input 2: Value  
Balance Time  
Hystval  
Update Event: Unacknowledged  
Update Event: Update State  
Update Event: Time Stamp  
Update Event: Static Rev  
Update Event: Relative Index  
Block Alarm: Unacknowledged  
Block Alarm: Alarm State  
Block Alarm: Time Stamp  
Block Alarm: Subcode  
Block Alarm: Value

## Analog Input Function Block

### Overview

The Analog Input (AI) function block (figure 4-23) processes field device measurements and makes them available to other function blocks. The output value from the AI block is in engineering units and contains a status indicating the quality of the measurement. The measuring device may have several measurements or derived values available in different channels. Use the channel number to define the variable that the AI block processes.

Figure 4-23. Analog Input (AI) Function Block



The AI block supports alarming, signal scaling, signal filtering, signal status calculation, mode control, and simulation. In Automatic mode, the block's output parameter (OUT [8]) reflects the process variable (PV [7]) value and status. In Manual mode, OUT [8] may be set manually. The Manual mode is reflected on the output status. A discrete output (OUT\_D [37]) is provided to indicate whether a selected alarm condition is active. Alarm detection is based on the OUT [8] value and user specified alarm limits. Figure 4-24 illustrates the internal components of the AI function block, and table 4-57 lists the AI block parameters and their units of measure, descriptions, and index numbers.

### Modes

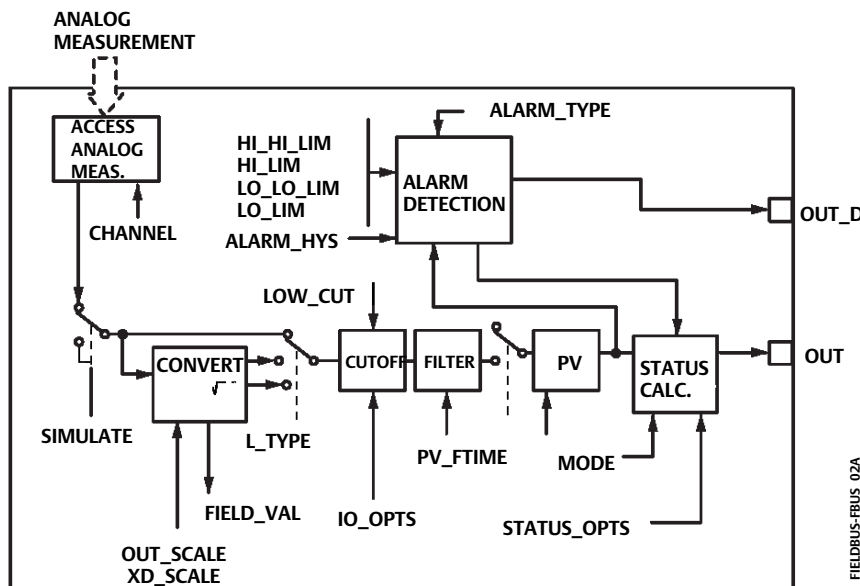
The AI function block supports three modes of operation as defined by the MODE\_BLK [5] parameter:

- **Manual (Man)** The block output (OUT [8]) may be set manually.
- **Automatic (Auto)** OUT reflects the analog input measurement or the simulated value when simulation is enabled.
- **Out of Service (OOS)** The block is not processed. FIELD\_VAL [19] and PV [7] are not updated and the OUT [8] status is set to Bad: Out of Service. The BLOCK\_ERR [6] parameter shows Out of Service. In this mode, you can make changes to all configured parameters. The target mode of a block may be restricted to one or more of the supported modes.

### Alarm Detection

A block alarm will be generated whenever the BLOCK\_ERR [6] has an error bit set. The types of block errors for the AI block are defined in table 4-55.

Figure 4-24. Analog Input Function Block Schematic



NOTES:  
 OUT = BLOCK OUTPUT VALUE AND STATUS  
 OUT\_D = DISCRETE OUTPUT THAT SIGNALS A SELECTED ALARM CONDITION.

Process Alarm detection is based on the OUT [8] value. You can configure the alarm limits of the following standard alarms:

- High (HI\_LIM [28])
- High high (HI\_HI\_LIM [26])
- Low (LO\_LIM [30])
- Low low (LO\_LO\_LIM [32])

In order to avoid alarm chattering when the variable is oscillating around the alarm limit, an alarm hysteresis in percent of the PV [7] span can be set using the ALARM\_HYS [24] parameter. The priority of each alarm is set in the following parameters:

- HI\_PRI [27]
- HI\_HI\_PRI [25]
- LO\_PRI [29]
- LO\_LO\_PRI [31]

Alarms are grouped into five levels of priority, as shown in table 4-53.

Table 4-53. AI Function Block Alarm Priorities

Priority Number	Priority Description <sup>(1)</sup>
0	The priority of an alarm condition changes to 0 after the condition that caused the alarm is corrected.
1	An alarm condition with a priority of 1 is recognized by the system, but is not reported to the operator.
2	An alarm condition with a priority of 2 is reported to the operator, but generally does not require operator attention (such as diagnostics and system alerts).
3-7	Alarm conditions of priority 3 to 7 are advisory alarms of increasing priority.
8-15	Alarm conditions of priority 8 to 15 are critical alarms of increasing priority.

1. The priority classes "advise" and "critical" have no relationship to PlantWeb Alerts.

Table 4-54. Channel Selections for the Analog Input Function Block

Channel	Parameter <sup>(1)</sup>	Block	Index Number	XD_SCALE Units
2	TRAVEL_TARGET	TB	49	% (1342)
3	FINAL_POSITION_VALUE	TB	17	% (1342)
4	TRAVEL	TB	34	% (1342)
5	SUPPLY_PRESS	TB	35	psig (1143), bar (1137), kPa (1133), inHg (1155), inH2O (1146), kg/cm2 (1145)
6	PRESSURE_A	TB	36	psig (1143), bar (1137), kPa (1133), inHg (1155), inH2O (1146), kg/cm2 (1145)
7	PRESSURE_B	TB	37	psig (1143), bar (1137), kPa (1133), inHg (1155), inH2O (1146), kg/cm2 (1145)
8	PRESSURE_DIFF	TB	38	psig (1143), bar (1137), kPa (1133), inHg (1155), inH2O (1146), kg/cm2 (1145)
9	DRIVE_SIGNAL	TB	53	% (1342)
10	TRAVEL_DEVIATION	TB	52	% (1342)
11	TEMPERATURE	TB	48	°C (1001), °F (1002)
12	CYCLE_COUNT	TB	73	no units (1588)
13	TRAVEL_ACCUMULATION	TB	72	% (1342)

1. Refer to table 4-14 for transducer block parameter descriptions and table 4-25 for AO parameter descriptions.

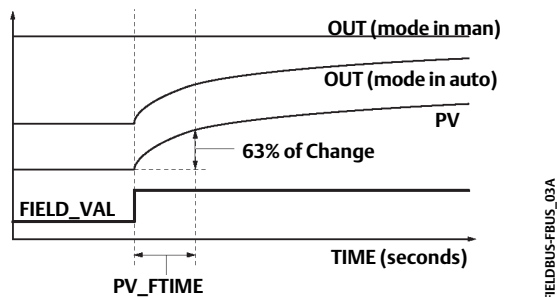
## Status Handling

The AI block only gets Good Non-Specified Unlimited or Bad Device Failure for status from the transducer. This is reflected in FIELD\_VAL.STATUS [19.1]. PV.STATUS [7.1] is the same as FIELD\_VAL.STATUS [19.1]. OUT.STATUS [8.1] can also reflect Bad, Out of Service in addition to PV.STATUS [7.1] values.

In the STATUS\_OPTS [14] parameter, you can select from the following options to control the status handling:

**Propagate Fail Forward**—If the status from the sensor is Bad, Device failure or Bad, Sensor failure, propagate it to OUT without generating an alarm. The use of these sub-status in OUT is determined by this option. Through this option, you may determine whether alarming (sending out an alert) will be done by the block or propagated downstream for alarming.

Figure 4-25. Analog Input Function Block Timing Diagram



**Uncertain if in Manual mode**—The status of the Output is set to *Uncertain* when the mode is set to Manual.

### Note

1. The instrument must be in Out of Service mode to set the status option.
2. The AI block only supports the Uncertain if in Manual and Propagate failure. Unsupported options are not grayed out; they appear on the screen in the same manner as supported options.

## Filtering

The filtering feature changes the response time of the device to smooth variations in output readings caused by rapid changes in input. You can adjust the filter time constant (in seconds) using the PV\_FTIME [18] parameter. Set the filter time constant to zero to disable the filter feature.

## Signal Conversion

You can set the signal conversion type with the Linearization Type (L\_TYPE [16]) parameter. You can view the converted signal (in percent of XD\_SCALE [10]) through the FIELD\_VAL [19] parameter.

$$\text{FIELD\_VAL} = \frac{100 \times (\text{Channel Value}) - \text{EU}^{**@0\%}}{(\text{EU}^{**@100\%} - \text{EU}^{**@0\%})}$$

\*XD\_SCALE values

You can choose from direct, indirect, or indirect square root signal conversion with the L\_TYPE [16] parameter.

### Direct

Direct signal conversion allows the signal to pass through the accessed channel input value (or the simulated value when simulation is enabled).

PV = Channel Value

### Indirect

Indirect signal conversion converts the signal linearly to the accessed channel input value (or the simulated value when simulation is enabled) from its specified range (XD\_SCALE [10]) to the range and units of the PV [7] and OUT [8] parameters (OUT\_SCALE [11]).

$$\text{PV} = \left( \frac{\text{FIELD\_VAL}}{100} \right) \times (\text{EU}^{**@100\%} - \text{EU}^{**@0\%}) + \text{EU}^{**@0\%}$$

\*\*OUT\_SCALE values

### Indirect Square Root

Indirect Square Root signal conversion takes the square root of the value computed with the indirect signal conversion and scales it to the range and units of the PV [7] and OUT [8] parameters.

$$\text{PV} = \sqrt{\left( \frac{\text{FIELD\_VAL}}{100} \right) \times (\text{EU}^{**@100\%} - \text{EU}^{**@0\%}) + \text{EU}^{**@0\%}}$$

\*\*OUT\_SCALE values



When the converted input value is below the limit specified by the LOW\_CUT [17] parameter, a value of zero is used for the converted value (PV [7]). This option is useful to eliminate false readings when the differential pressure measurement is close to zero.

**Note**

Invert is the only I/O option supported by the AI block. You can set the I/O option in Out of Service mode only.

## Advanced Features

The AI function block provided with the DVC6200f provides added capability through the addition of the following parameters:

**ALARM\_SEL**—Allows one or more of the process alarm conditions detected by the AI function block to be used in setting its OUT\_D [37] parameter.

**OUT\_D**—Discrete output of the AI function block based on the detection of process alarm condition(s). This parameter may be linked to other function blocks that require a discrete input based on the detected alarm condition.

**STDDEV** and **CAP\_STDDEV**— are diagnostic parameters that can be used to determine the variability of the process.

## Simulation

To support testing, you can either change the mode of the block to manual and adjust the output value, or you can enable simulation through the configuration tool and manually enter a value for the measurement value and its status. To enable simulation, you must first install the Simulate Enable jumper across the instrument AUX terminals (see page 13). Next you must use the configuration tool to enable the parameter SIMULATE [9].

With simulation enabled, the actual measurement value has no impact on the OUT [8] value or the status.

## Block Errors

Table 4-55 lists conditions reported in the BLOCK\_ERR [6] parameter. Conditions in *italics* are inactive for the AI block and are given here only for your reference.

Table 4-55. BLOCK\_ERR Conditions

Condition Number	Condition Name and Description
0	<i>Other</i>
1	<b>Block Configuration Error</b> - the selected channel carries a measurement that is incompatible with the engineering units selected in XD_SCALE, the L_TYPE parameter is not configured, or CHANNEL = zero.
2	<i>Link Configuration Error</i>
3	<b>Simulate Active</b> - Simulation is enabled and the block is using a simulated value in its execution.
4	<i>Local Override</i>
5	<i>Device Fault State</i>
6	<i>Device Needs Maintenance Soon</i>
7	<b>Input failure/process variable had Bad status</b> - The hardware is bad, or a bad status is being simulated
8	<i>Output failure</i>
9	<i>Memory failure</i>
10	<i>Lost Static Data</i>
11	<i>Lost NV Data</i>
12	<i>Readback Check Failed</i>
13	<i>Device Needs Maintenance Now</i>
14	<b>Power Up</b> - This condition exists until the AI function block executes for the first time.
15	<b>Out of Service</b> - The actual mode is Out of Service.

## Troubleshooting

Refer to table 4-56 to troubleshoot any problem that you encounter.

Table 4-56. Troubleshooting

Symptom	Possible Causes	Corrective Action
Mode will not leave OOS	Target mode is not set	Set target mode to something other than OOS
	Configuration error	BLOCK_ERR [6] will show the configuration error bit set. The following are parameters that must be set before the block is allowed out of OOS: <ul style="list-style-type: none"> <li>CHANNEL [15] must be set to a valid value and cannot be left at initial value of 0.</li> <li>XD_SCALE [10]. UNITS_INDEX must match the units in the transducer block channel value.</li> <li>L_TYPE [16] must be set to Direct, Indirect, or Indirect Square Root and cannot be left at an initial value of 0.</li> </ul>
	Resource block	The actual mode of the Resource block is OOS. See Resource Block Diagnostics for corrective action.
	Schedule	Block is not scheduled and therefore cannot execute to go to Target Mode. Schedule the block to execute.
Process and/or block alarms will not work	Features	FEATURES_SEL [18] in the resource block does not have Alerts enabled. Enable the Reports Supported bit.
	Notification	LIM_NOTIFY [32] in the resource block is not high enough. Set equal to MAX_NOTIFY [31], also in the resource block.
	Status Options	STATUS_OPTS [14] has Propagate Fault Forward bit set. This should be cleared to cause an alarm to occur.
Value of output does not make sense	Linearization Type	L_TYPE [16] must be set to Direct, Indirect, or Indirect Square Root and cannot be left at an initial value of 0.
	Scaling	Scaling parameters are set incorrectly: <ul style="list-style-type: none"> <li>XD_SCALE.EU0 and EU100 should match that of the transducer block channel value.</li> <li>OUT_SCALE.EU0 and EU100 are not set properly.</li> </ul>
Cannot set HI_LIMIT [28], HI_HI_LIMIT [26], LO_LIMIT [30], or LO_LO_LIMIT [32] VALUES	Scaling	Limit values are outside the OUT_SCALE.EU0 and OUT_SCALE.EU100 values. Change OUT_SCALE [11] or set values within range.

## AI Function Block Parameter List (table 4-57)

- Read/Write Capability: RO - Read Only, RW - Read Write
- Mode: The block mode(s) required to write to the parameter
- Double indentation and shaded Index Number indicates sub-parameter

Table 4-57. Analog Input Block Parameter Definitions

Label PARAMETER_NAME	Index Number	RO/ RW	Write Block Mode	Range	Initial Value	Description
Static Revision ST_REV	1	RO	N/A	0 to 65535	0	Data Type: Unsigned16 The revision level of the static data associated with the function block. The revision value will be incremented each time a static parameter value in the block is changed
Tag Description TAG_DESC	2		ALL	7 bit ASCII	spaces	Data Type: Octet String The user description of the intended application of the block.
Strategy STRATEGY	3		ALL	0 to 65535	0	Data Type: Unsigned16 The strategy field can be used to identify grouping of blocks. This data is not checked or processed by the block.
Alert Key ALERT_KEY	4		ALL	1 to 255	0	Data Type: Unsigned8 The identification number of the plant unit. This information may be used in the host for sorting alarms, etc.
Block Mode MODE_BLK	5					
TARGET	5.1	RW	ALL	OOS MAN AUTO	OOS until block is configured, then last valid target	Data Type: DS-69 Valid Bits: 7: OOS, 4: MAN, 3: AUTO The actual, target, permitted, and normal modes of the block. Target: The requested block mode Actual: The current mode of the block Permitted: Allowed modes for Target Normal: Most common mode for Target
ACTUAL	5.2	RO	ALL		OOS	
PERMITTED	5.3	RW	ALL	OOS+MAN+AUTO	OOS, MAN, AUTO	
NORMAL	5.4	RW	ALL		AUTO	
Block Error BLOCK_ERR	6	RO		1: Block Configuration Error 3: Simulate Active 7: Input Failure/ Bad PV Status 14: Power-up 15: Out-of-Service		Data Type: Bit String 0=Inactive 1=Active Error status associated with the hardware or software for the AI block.
Process Value PV	7	RO		PV Status set equal to FIELDV_VAL Status		Data Type: DS-65 Reflects the scaled value from the configured channel. Units set by OUT_SCALE and L_TYPE.
Primary Output OUT	8		OOS, MAN	OUT_STATE		Data Type: DS-68 The block output value and status.
Simulate SIMULATE	9					
SIMULATE_STATUS	9.1		ALL		0	
SIMULATE_VALUE	9.2		ALL		0	
TRANSDUCER_STATUS	9.3	RO			0	
TRANSDUCER_VALUE	9.4	RO			0	
ENABLE/DISABLE	9.5		ALL	0=Not Initialized 1=Simulation Disabled 2=Simulation Active	1=simulate disabled	Data Type: DS-82 A group of data that contains the current transducer value and status, the simulated transducer value and status, and the enable/disable bit.
Transducer Scale XD_SCALE	10		OOS	EU at 100% EU at 10% Units Index Decimal Point	100 0 % 2	Data Type: DS-68 Transducer scaling (XD_SCALE) is applied to the value from the channel to produce the FIELD_VAL in percent. The XD_SCALE units code must match the channel units code (if one exists), or the block will remain in OOS mode after being configured.
Output Scale OUT_SCALE	11		OOS	EU at 100% EU at 10% Units Index Decimal Point	100 0 % 2	Data Type: DS-68 The high and low scale values, engineering units code, and number of decimal places to be used in displaying the OUT parameter and parameters which have the same scaling as OUT.

-Continued-

Table 4-57. Analog Input Block Parameter Definitions (Continued)

Label PARAMETER_NAME	Index Number	RO / RW	Write Block Mode	Range	Initial Value	Description
Grant Deny GRANT_DENY	12					Data Type: DS-70 Options for controlling access of host computer and local control panels to operating, tuning, and alarm parameters of the block. GRANT: 0=N/A, 1=granted DENY: 0=N/A, 1=denied
GRANT	12.1		ALL	Valid Bits 0: Program 1: Tune 2: Alarm 3: Local	All bits: 0	
DENY	12.2		ALL		All bits: 0	
I/O Options IO_OPTS	13		OOS	10: Low cutoff	All bits: 0	Data Type: Bit String 0=Disable 1=Enable User options for Output Control.
Status Options STATUS_OPTS	14		OOS	3: Propagate Failure forward 6: Uncertain if Limited 7: Bad if Limited 8: Uncertain in Man Mode	All bits: 0	Data Type: Bit String 0=Disable 1=Enable User options for Status
AI Channel CHANNEL	15		OOS	See table 4-54	0: Undefined	Data Type: Unsigned16 Used to select the type of threshold that is used to set the output.
Linearization Type L_TYPE	16		OOS, MAN	0: Undefined 1: Direct 2: Indirect 3: Ind. Sqr. Root	0: Undefined	Data Type: Enum Linearization type. Determines whether the field value is used directly (Direct), is converted linearly (Indirect), or is converted with the square root (Indirect Square Root). The OUT_SCALE is normally the same as the transducer, but if L_TYPE is set to Indirect or Ind Sqr Root, OUT_SCALE determines the conversion from FIELD_VAL to the output.
Low Cutoff LOW_CUT	17		ALL	Positive	0	Data Type: Float If calculated output is below this value the output is 0.
Process Value Filter Time PV_FTIME	18		ALL	Positive	0	Data Type: Float Time constant of first order filter on PV, in seconds.
Field Value FIELD_VAL	19	RO			0	Data Type: DS-65 Value of the field device analog input, with a status reflecting the Transducer condition.
Updated Event UPDATE_EVT	20					Data Type: DS-73 This alarm is generated whenever a static parameter is changed.
UNACKNOWLEDGED	20.1	RW	N/A	0=Undefined 1=Acknowledged 2=Unacknowledged	0=Undefined	
UPDATE_STATE	20.2	RO	N/A	0=Undefined 1=Update reported 2=Update not reported	0=Undefined	
TIME_STAMP	20.3	RO	N/A		0	
STATIC_REVISION	20.4	RO	N/A		0	
RELATIVE_INDEX	20.5	RO	N/A		0	
Block Alarm BLOCK_ALM	21					Data Type: DS-72 The block alarm is used for all configuration, hardware, connection failure or system problems in the block. The cause of the alert is entered in the subcode field.
UNACKNOWLEDGED	21.1	RW		0=Undefined 1=Acknowledged 2=Unacknowledged		
ALARM_STATE	21.2	RO		0=Undefined 1=Clear-reported 2=Clear-not reported 3=Active-reported 4=Active-not reported		
TIME_STAMP	21.3	RO				
SUBCODE	21.4	RO				
VALUE	21.5	RO				

-Continued-

Table 4-57. Analog Input Block Parameter Definitions (Continued)

Label PARAMETER_NAME	Index Number	RO / RW	Write Block Mode	Range	Initial Value	Description
Alarm Summary ALARM_SUM	22					Data Type: DS-74 Current alert status, unacknowledged states, unreported states, and disabled states of the alarms associated with the function block. 0=clear 0=acknowledged 0=reported 0=enabled
CURRENT	22.1	RO	ALL	0: Discrete alarm		
UNACKNOWLEDGED	22.2	RO	ALL	1: Hi Hi alarm		
UNREPORTED	22.3	RO	ALL	2: Hi Alarm		
DISABLED	22.4	RW	ALL	3: Lo Lo Alarm 4: Lo Alarm 7: Block alarm	All bits: 0	
Acknowledge Option ACK_OPTION	23		ALL	0: Discrete alarm 1: Hi Hi alarm 2: Hi Alarm 3: Lo Lo Alarm 4: Lo Alarm 7: Block alarm	All bits: 0	Data Type: Bit String 0=Disable 1=Enable Selection of whether alarms associated with the block will be automatically acknowledged.
Alarm Hysteresis ALARM_HYS	24		ALL	0 - 50%	0.50%	Data Type: Float Hysteresis on alarms.
High High Priority HI_HI_PRI	25		ALL	0 to 15	0	Data Type: Unsigned8 The priority of the hi hi alarm.
High High Limit HI_HI_LIM	26		ALL	OUT_SCALE	0	Data Type: Float Value of analog input which will generate an alarm.
High Priority HI_PRI	27		ALL	0 to 15	0	Data Type: Unsigned8 The priority of the high alarm.
Hi Limit HI_LIM	28		ALL	OUT_SCALE	0	Data Type: Float Value of analog input which will generate an alarm.
Low Priority LO_PRI	29		ALL	0 to 15	0	Data Type: Unsigned8 The priority of the low alarm.
Low Limit LO_LIM	30		ALL	OUT_SCALE	0	Data Type: Float Value of analog input which will generate an alarm.
Low Low Priority LO_LO_PRI	31		ALL	0 to 15	0	Data Type: Unsigned8 The priority of the low low alarm.
Low Low Limit LO_LO_LIM	32		ALL	OUT_SCALE	0	Data Type: Float Value of analog input which will generate an alarm.
High High Alarm HI_HI_ALM	33					Data Type: DS-71 The status of the hi hi alarm and its associated time stamp.
UNACKNOWLEDGED	33.1	RW	N/A		0	
ALARM_STATE	33.2	RO		0		
TIME_STAMP	33.3	RO		0		
SUBCODE	33.4	RO		0		
VALUE	33.5	RO		0		
High Alarm HI_ALM	34					
UNACKNOWLEDGED	34.1	RW	N/A		0	
ALARM_STATE	34.2	RO		0		
TIME_STAMP	34.3	RO		0		
SUBCODE	34.4	RO		0		
VALUE	34.5	RO		0		
Low Alarm LO_ALM	35					
UNACKNOWLEDGED	35.1	RW	N/A		0	
ALARM_STATE	35.2	RO		0		
TIME_STAMP	35.3	RO		0		
SUBCODE	35.4	RO		0		
VALUE	35.5	RO		0		

-Continued-

Table 4-57. Analog Input Block Parameter Definitions (Continued)

Label PARAMETER_NAME	Index Number	RO / RW	Write Block Mode	Range	Initial Value	Description
Low Low Alarm LO_LO_ALM	36					Data Type: DS-71 The status of the lo lo alarm and its associated time stamp.
UNACKNOWLEDGED	36.1	RW	N/A		0	
ALARM_STATE	36.2	RO			0	
TIME_STAMP	36.3	RO			0	
SUBCODE	36.4	RO			0	
VALUE	36.5	RO			0	
Extended Parameter						
Output Discrete OUT_D	37		OOS, MAN	OUT_STATE		Data Type: DS-66 Discrete Output this is true (1) if any of the alarms selected in ALM_SEL are active.
Alarm Select ALM_SEL	38		ALL	1: Hi Hi alarm 2: Hi Alarm 3: Lo Lo Alarm 4: Lo Alarm	All bits: 0	Data Type: Bitstring 0=unselected 1=selected Selected alarms that activate the alarm output.
StdDev STDDEV	39	RO	N/A	Positive float		Data Type: Float Standard deviation of the measurement.
Cap StdDev CAP_STDDEV	40	RO	N/A	Positive float		Data Type: Float Capability standard deviation, the best deviation that can be achieved.

## View Lists

View lists allow the values of a set of parameters to be accessed at the same time. Views 1 and 2 contain operating parameters and are defined by the Fieldbus Foundation. View 3 contains dynamic parameters and View 4 contains static parameters with configuration and maintenance information. Views 3 and 4 are defined by the manufacturer.

Table 4-58. AI Function Block, View 1

Index Number	Parameter
1	ST_REV
5.1	MODE_BLK.TARGET_MODE
5.2	MODE_BLK.ACTUAL_MODE
5.3	MODE_BLK.PERMITTED_MODE
5.4	MODE_BLK.NORMAL_MODE
6	BLOCK_ERR
7	PV
8	OUT
19	FIELD_VAL
22.1	ALARM_SUM.CURRENT
22.2	ALARM_SUM.UNACKNOWLEDGED
22.3	ALARM_SUM.UNREPORTED
22.4	ALARM_SUM.DISABLED

Table 4-59. AI Function Block, View 2

Index Number	Parameter
1	ST_REV
10	XD_SCALE
11	OUT_SCALE
12.1	GRANT_DENY.GRANT
12.2	GRANT_DENY.DENY

Table 4-60. AI Function Block, View 3

Index Number	Parameter
1	ST_REV
5.1	MODE_BLK.TARGET_MODE
5.2	MODE_BLK.ACTUAL_MODE
5.3	MODE_BLK.PERMITTED_MODE
5.4	MODE_BLK.NORMAL_MODE
6	BLOCK_ERR
7	PV
8	OUT
19	FIELD_VAL
22.1	ALARM_SUM.CURRENT
22.2	ALARM_SUM.UNACKNOWLEDGED
22.3	ALARM_SUM.UNREPORTED
22.4	ALARM_SUM.DISABLED
37	OUT_D
38	ALM_SEL
39	STDDEV
40	CAP_STDDEV

Table 4-61. AI Function Block, View 4

Index Number	Parameter
1	ST_REV
3	STRATEGY
4	ALERT_KEY
13	IO_OPTS
14	STATUS_OPTS
15	CHANNEL
16	L_TYPE
17	LOW_CUT
18	PV_FTIME
23	ACK_OPTION
24	ALARM_HYS
25	HI_HI_PRI
26	HI_HI_LIM
27	HI_PRI
28	HI_LIM
29	LO_PRI
30	LO_LIM
31	LO_LO_PRI
32	LO_LO_LIM

# Field Communicator Menu Structure

## ANALOG INPUT FUNCTION BLOCK

### Quick Config

AI Channel  
 Linearization Type  
 Transducer Scale: EU at 100%  
 Transducer Scale: EU at 0%  
 Transducer Scale: Units Index  
 Transducer Scale: Decimal  
 Output Scale: EU at 100%  
 Output Scale: EU at 0%  
 Output Scale: Units Index  
 Output Scale: Decimal

### Common Config

Acknowledge Option  
 Alarm Hysteresis  
 Alert Key  
 High High Limit  
 High High Priority  
 High Limit  
 High Priority  
 I/O Options  
 Linearization Type  
 Low Low Limit  
 Low Low Priority  
 Low Limit  
 Low Priority  
 Block Mode: Target  
 Block Mode: Actual  
 Block Mode: Permitted  
 Block Mode: Normal  
 Output Scale: EU at 100%  
 Output Scale: EU at 0%  
 Output Scale: Units Index  
 Output Scale: Decimal  
 Process Value Filter Time

### Advanced Config

Low Cutoff  
 Simulate: Simulate Status  
 Simulate: Simulate Value  
 Simulate: Transducer Status  
 Simulate: Transducer Value  
 Simulate: Simulate En/Disable  
 Static Revision  
 Status Options  
 Strategy  
 Transducer Scale: EU at 100%  
 Transducer Scale: EU at 0%  
 Transducer Scale: Units Index  
 Transducer Scale: Decimal

### I/O Reference

AI Channel

### Connectors

Output: Status  
 Output: Value

### Online

Block Error  
 Field Value: Status  
 Field Value: Value  
 Cascade Input: Status  
 Cascade Input: Value  
 Block Mode: Target  
 Block Mode: Actual  
 Block Mode: Permitted  
 Block Mode: Normal  
 Output: Status  
 Output: Value  
 Process Value: Status  
 Process Value: Value

### Status

Block Error

### Other

Tag Description  
 Grant Deny: Grant  
 Grant Deny: Deny  
 Update Event: Unacknowledged  
 Update Event: Update State  
 Update Event: Time Stamp  
 Update Event: Static Rev  
 Update Event: Relative Index  
 Block Alarm: Unacknowledged  
 Block Alarm: Alarm State  
 Block Alarm: Time Stamp  
 Block Alarm: Subcode  
 Block Alarm: Value  
 Alarm Summary: Current  
 Alarm Summary: Unacknowledged  
 Alarm Summary: Unreported  
 Alarm Summary: Disabled  
 High Alarm: Unacknowledged  
 High Alarm: Alarm State  
 High Alarm: Time Stamp  
 High Alarm: Subcode  
 High Alarm: Float Value  
 High High Alarm: Unacknowledged  
 High High Alarm: Alarm State  
 High High Alarm: Time Stamp  
 High High Alarm: Subcode  
 High High Alarm: Float Value  
 Low Alarm: Unacknowledged  
 Low Alarm: Alarm State  
 Low Alarm: Time Stamp  
 Low Alarm: Subcode  
 Low Alarm: Float Value  
 Low Low Alarm: Unacknowledged  
 Low Low Alarm: Alarm State  
 Low Low Alarm: Time Stamp  
 Low Low Alarm: Subcode  
 Low Low Alarm: Float Value  
 Alarm output: Status  
 Alarm output: Value  
 Alarm Select  
 StdDev  
 Cap StdDev

### All

Characteristics  
 Static Revision  
 Tag Description  
 Strategy  
 Alert Key  
 Block Mode: Target  
 Block Mode: Actual  
 Block Mode: Permitted  
 Block Mode: Normal  
 Block Error  
 Process Value: Status  
 Process Value: Value  
 Output: Status  
 Output: Value  
 Simulate: Simulate Status  
 Simulate: Simulate Value  
 Simulate: Transducer Status  
 Simulate: Transducer Value  
 Simulate: Simulate En/Disable  
 Transducer Scale: EU at 100%  
 Transducer Scale: EU at 0%  
 Transducer Scale: Units Index  
 Transducer Scale: Decimal  
 Output Scale: EU at 100%  
 Output Scale: EU at 0%  
 Output Scale: Units Index  
 Output Scale: Decimal  
 Grant Deny: Grant  
 Grant Deny: Deny  
 I/O Options  
 Status Options  
 AI Channel  
 Linearization Type  
 Low Cutoff  
 Process Value Filter Time  
 Field Value: Status  
 Field Value: Value  
 Update Event: Unacknowledged  
 Update Event: Update State  
 Update Event: Time Stamp  
 Update Event: Static Rev  
 Update Event: Relative Index  
 Block Alarm: Unacknowledged  
 Block Alarm: Alarm State  
 Block Alarm: Time Stamp  
 Block Alarm: Subcode  
 Block Alarm: Value  
 Alarm Summary: Current  
 Alarm Summary: Unacknowledged  
 Alarm Summary: Unreported  
 Alarm Summary: Disabled  
 Acknowledge Option

### All (continued)

Alarm Hysteresis  
 High High Priority  
 High High Limit  
 High Priority  
 High Limit  
 Low Priority  
 Low Limit  
 Low Low Priority  
 Low Low Limit  
 High High Alarm: Unacknowledged  
 High High Alarm: Alarm State  
 High High Alarm: Time Stamp  
 High High Alarm: Subcode  
 High High Alarm: Float Value  
 High Alarm: Unacknowledged  
 High Alarm: Alarm State  
 High Alarm: Time Stamp  
 High Alarm: Subcode  
 High Alarm: Float Value  
 Low Alarm: Unacknowledged  
 Low Alarm: Alarm State  
 Low Alarm: Time Stamp  
 Low Alarm: Subcode  
 Low Alarm: Float Value  
 Low Low Alarm: Unacknowledged  
 Low Low Alarm: Alarm State  
 Low Low Alarm: Time Stamp  
 Low Low Alarm: Subcode  
 Low Low Alarm: Float Value  
 Alarm output: Status  
 Alarm output: Value  
 Alarm select  
 StdDev  
 Cap StdDev

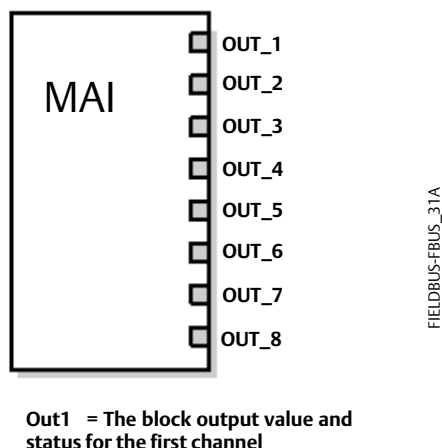


# Multiple Analog Input Function Block

## Overview

The Multiple Analog Input (MAI) function block (figure 4-26) has the ability to process up to eight field device measurements and make them available to other function blocks. The output values from the MAI block are in engineering units and contain a status indicating the quality of the measurement. The measuring device may have several measurements or derived values available in different channels. Use the channel numbers to define the variables that the MAI block processes.

Figure 4-26. Multiple Analog Input (MAI) Function Block



The MAI block supports mode control. In Automatic mode, the block's output parameters (OUT\_1 to OUT\_8 [8 through 15]) reflects the process variable (PV) values and status. In Manual mode, OUT may be set manually. The Manual mode is reflected in the output status. Table 4-64 lists the MAI block parameters, and their units of measure, description and index numbers.

## Modes

The MAI Function Block supports three modes of operation as defined by the MODE\_BLK [5] parameter:

- **Manual (Man)**—The block output (OUT\_1 to OUT\_8 [8 through 15]) may be set manually.
- **Automatic (Auto)**—OUT\_1 to OUT\_8 [8 through 15] reflects the analog input measurement or the simulated value when the simulation is enabled.
- **Out of Service (OOS)**—The block is not processed. PV is not updated and the OUT status is set to Bad: Out of Service. The BLOCK\_ERR [6] parameter shows Out of Service. In this mode, you can make changes to all configurable parameters. The target mode of a block may be restricted to one or more of the supported modes.

## Status Handling

In Man mode, the OUT status constant limit is set to indicate that the value is a constant and the OUT status is *Good*.

OUT\_X status will be Bad if the transducer detects a problem with sensor associated with the channel.

## Application Information

The intended use is for applications where it is necessary to convey DVC6200f measurements from a function.

The configuration of the MAI function block and its associated output channels depends on the specific application.

- CHANNEL [7]: Channel must always be set to 21.

The output parameters (OUT\_1 to OUT\_8 [8 through 15]) are set through the transducer block Instrument menu. Each output has a channel assigned to it in MAI Channel Map (TB.MAI\_CHANNEL\_MAP [95]) in the transducer block. For additional information, refer to table 4-64.

## Block Errors

Table 4-62 lists conditions reported in the BLOCK\_ERR [6] parameter. Conditions in *italics* are inactive for the MAI block and are given here only for your reference.

Table 4-62. BLOCK\_ERR Conditions

Condition Number	Condition Name and Description
0	<i>Other</i>
1	<b>Block Configuration Error:</b> the selected channel carries a measurement that is incompatible with the engineering units selected in XD_SCALE, the L_TYPE parameter is not configured, or WRITE_CHECK = 0.
2	<i>Link Configuration Error</i>
3	<i>Simulate Active</i>
4	<i>Local Override</i>
5	<i>Device Fault State</i>
6	<i>Device Needs Maintenance Soon</i>
7	<b>Input failure/process variable had Bad status -</b> The hardware is bad, or a bad status is being simulated
8	<i>Output failure</i>
9	<i>Memory failure</i>
10	<i>Lost Static Data</i>
11	<i>Lost NV Data</i>
12	<i>Readback Check Failed</i>
13	<i>Device Needs Maintenance Now</i>
14	<b>Power Up -</b> This condition exists after power up until the MAI function executes for the first time.
15	<b>Out of Service -</b> The actual mode is Out of Service.

## Troubleshooting

Refer to table 4-63 to troubleshoot any problem that you encounter.

Table 4-63. Troubleshooting

Symptom	Possible Causes	Corrective Action
Mode will not leave OOS	Target mode is not set	Set target mode to something other than OOS
	Resource block	The actual mode of the Resource block is OOS. See Resource Block Diagnostics for corrective action.
	Schedule	Block is not scheduled and therefore cannot execute to go to Target Mode. Typically, BLOCK_ERR [6] will show "Power-Up" for all blocks that are not scheduled. Schedule the block to execute.
Block alarms will not work	Features	FEATURES_SEL [18] in the resource block does not have Alerts enabled. Enable the Alerts bit.
	Notification	LIM_NOTIFY [32] in the resource block is not high enough. Set equal to MAX_NOTIFY [31], also in the resource block.

## MAI Function Block Parameter List (table 4-64)

- Read/Write Capability: RO - Read Only, RW - Read Write
- Mode: The block mode(s) required to write to the parameter
- Double indentation and shaded Index Number indicates sub-parameter

Table 4-64. MAI Function Block Parameter Definitions

Label Parameter Name	Index Number	RO / RW	Mode	Range	Initial Value	Description
Static Revision ST_REV	1	RO	N/A	0 to 65535	0	Data Type: Unsigned16 The revision level of the static data associated with the input selector block. The revision value will be incremented each time a static parameter value in the block is changed.
Tag Description TAG_DESC	2			7 bit ASCII	spaces	Data Type: Octet String The user description of the intended application of the block.
Strategy STRATEGY	3			0 to 65535	0	Data Type: Unsigned16 The strategy field can be used to identify grouping of blocks. This data is not checked or processed by the block.
Alert Key ALERT_KEY	4			1 to 255	0	Data Type: Unsigned8 The identification number of the plant unit. This information may be used in the host for sorting alarms, etc.
Block Mode MODE_BLK	5					Data Type: DS-69 The actual, target, permitted, and normal modes of the block.
TARGET	5.1	RW	ALL	OOS, MAN, AUTO	OOS	Target: The requested block mode
ACTUAL	5.2	RO	ALL		OOS	Actual: The current mode of the block
PERMITTED	5.3	RW	ALL	OOS+MAN+AUTO	OOS, MAN, AUTO	Permitted: Allowed modes for Target
NORMAL	5.4	RW	ALL	AUTO	AUTO	Normal: Most common mode for Target
Block Error BLOCK_ERR	6	RO		1: Block Configuration Error 7: Input Failure/ Bad PV Status 14: Power-up 15: Out-of-Service		Data Type: Bit String 0 = Inactive 1 = Active This parameter reflects the error status associated with the hardware or software components associated with a block. It is a bit string, so that multiple errors may be shown.
MAI Channel CHANNEL	7			21 only	0 = undefined	This variable must be set to 21. Channel assignments to the 8 outputs is done through MAI_CHANNEL_MAP parameter in transducer block.  1=FINAL_VALUE 2=TRAVEL_TARGET 3=FINAL_POSITION_VALUE 4=TRAVEL 5=SUPPLY_PRESS 6=ACT_PRESS_A 7=ACT_PRESS_B 8=ACT_PRESS_DIFF 9=DRIVE_SIGNAL 10=TRAVEL_DEVIATION 11=TEMPERATURE 12=CYCLE_COUNT 13=TRAVEL_ACCUM

-Continued-

Table 4-64. MAI Function Block Parameter Definitions (Continued)

Label Parameter Name	Index Number	RO / RW	Mode	Range	Initial Value	Description
Output 1 OUT_1	8		OOS MAN	Channel assigned by TB.MAI_CHANNEL_MAP	TB.FINAL_VALUE	Data Type: DS-65 The block output value and status.
Output 2 OUT_2	9		OOS MAN	Channel assigned by TB.MAI_CHANNEL_MAP	TB.TRAVEL_TARGET	Data Type: DS-65 The block output value and status.
Output 3 OUT_3	10		OOS MAN	Channel assigned by TB.MAI_CHANNEL_MAP	TB.FINAL_POSITION_VA LUE	Data Type: DS-65 The block output value and status.
Output 4 OUT_4	11		OOS MAN	Channel assigned by TB.MAI_CHANNEL_MAP	TB.TRAVEL	Data Type: DS-65 The block output value and status.
Output 5 OUT_5	12		OOS MAN	Channel assigned by TB.MAI_CHANNEL_MAP	TB.SUPPLY_PRESS	Data Type: DS-65 The block output value and status.
Output 6 OUT_6	13		OOS MAN	Channel assigned by TB.MAI_CHANNEL_MAP	TB.ACT_PRESS_A	Data Type: DS-65 The block output value and status.
Output 7 OUT_7	14		OOS MAN	Channel assigned by TB.MAI_CHANNEL_MAP	TB.ACT_PRESS_B	Data Type: DS-65 The block output value and status.
Output 8 OUT_8	15		OOS MAN	Channel assigned by TB.MAI_CHANNEL_MAP	TB.ACT_PRESS_DIFF	Data Type: DS-65 The block output value and status.
Update Event UPDATE_EVT	16					Data Type: DS-73 This alarm is generated whenever a static parameter is changed.
UNACKNOWLEDGED	16.1	RW	N/A	0=Undefined 1=Acknowledged 2=Unacknowledged	0=Undefined	
UPDATE_STATE	16.2	RO	N/A	0=Undefined 1=Update reported 2=Updated not reported	0=Undefined	
TIME_STAMP	16.3	RO	N/A		0	
STATIC_REVISION	16.4	RO	N/A		0	
RELATIVE_INDEX	16.5	RO	N/A		0	
Block Alarm BLOCK_ALM	17					Data Type: DS-72 The block alarm is used for all configuration , hardware, connection failure or system problems in the block. The cause of the alert is entered in the subcode field.
UNACKNOWLEDGED	17.1	RW		0=Undefined 1=Acknowledged 2=Unacknowledged		
ALARM_STATE	17.2	RO		0=Undefined 1=Clear reported 2=Clear not reported 3=Active reported 4=Active not reported		
TIME_STAMP	17.3	RO				
SUBCODE	17.4	RO				
VALUE	17.5	RO				

## View Lists

View lists allow the values of a set of parameters to be accessed at the same time. Views 1 and 2 contain operating parameters and are defined by the Fieldbus Foundation. View 3 contains dynamic parameters and View 4 contains static parameters with configuration and maintenance information. Views 3 and 4 are defined by the manufacturer.

Table 4-65. MAI Function Block, View 1

Index Number	Parameter
1	ST_REV
5.1	MODE_BLK.TARGET_MODE
5.2	MODE_BLK.ACTUAL_MODE
5.3	MODE_BLK.PERMITTED_MODE
5.4	MODE_BLK.NORMAL_MODE
6	BLOCK_ERR
8	OUT_1
9	OUT_2
10	OUT_3
11	OUT_4
12	OUT_5
13	OUT_6
14	OUT_7
15	OUT_8

Table 4-66. MAI Function Block, View 2

Index Number	Parameter
1	ST_REV

Table 4-67. MAI Function Block, View 3

Index Number	Parameter
1	ST_REV
5.1	MODE_BLK.TARGET_MODE
5.2	MODE_BLK.ACTUAL_MODE
5.3	MODE_BLK.PERMITTED_MODE
5.4	MODE_BLK.NORMAL_MODE
6	BLOCK_ERR
8	OUT_1
9	OUT_2
10	OUT_3
11	OUT_4
12	OUT_5
13	OUT_6
14	OUT_7
15	OUT_8

Table 4-68. MAI Function Block, View 4

Index Number	Parameter
1	ST_REV
3	STRATEGY
4	ALERT_KEY
7	CHANNEL

# Field Communicator Menu Structure

## MULTIPLE ANALOG INPUT FUNCTION BLOCK

### Quick Config

MAI Channel

### Common Config

Alert Key  
 Block Mode: Target  
 Block Mode: Actual  
 Block Mode: Permitted  
 Block Mode: Normal

### Advanced Config

Static Revision  
 Strategy

### I/O Reference

MAI Channel

### Connectors

Output 1: Status  
 Output 1: Value  
 Output 2: Status  
 Output 2: Value  
 Output 3: Status  
 Output 3: Value  
 Output 4: Status  
 Output 4: Value  
 Output 5: Status  
 Output 5: Value  
 Output 6: Status  
 Output 6: Value  
 Output 7: Status  
 Output 7: Value  
 Output 8: Status  
 Output 8: Value

### Online

Block Error  
 Block Mode: Target  
 Block Mode: Actual  
 Block Mode: Permitted  
 Block Mode: Normal  
 Output 1: Status  
 Output 1: Value  
 Output 2: Status  
 Output 2: Value  
 Output 3: Status  
 Output 3: Value  
 Output 4: Status  
 Output 4: Value  
 Output 5: Status  
 Output 5: Value  
 Output 6: Status  
 Output 6: Value  
 Output 7: Status  
 Output 7: Value  
 Output 8: Status  
 Output 8: Value

### Status

Block Error

### Other

Tag Description  
 Update Event: Unacknowledged  
 Update Event: Update State  
 Update Event: Time Stamp  
 Update Event: Static Rev  
 Update Event: Relative Index  
 Block Alarm: Unacknowledged  
 Block Alarm: Alarm State  
 Block Alarm: Time Stamp  
 Block Alarm: Subcode  
 Block Alarm: Value

### All

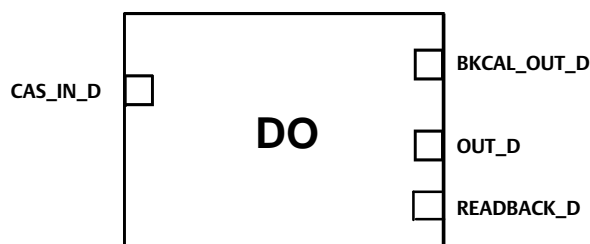
Characteristics  
 Static Revision  
 Tag Description  
 Strategy  
 Alert Key  
 Block Mode: Target  
 Block Mode: Actual  
 Block Mode: Permitted  
 Block Mode: Normal  
 Block Error  
 MAI Channel  
 Output 1: Status  
 Output 1: Value  
 Output 2: Status  
 Output 2: Value  
 Output 3: Status  
 Output 3: Value  
 Output 4: Status  
 Output 4: Value  
 Output 5: Status  
 Output 5: Value  
 Output 6: Status  
 Output 6: Value  
 Output 7: Status  
 Output 7: Value  
 Output 8: Status  
 Output 8: Value  
 Update Event: Unacknowledged  
 Update Event: Update State  
 Update Event: Time Stamp  
 Update Event: Static Rev  
 Update Event: Relative Index  
 Block Alarm: Unacknowledged  
 Block Alarm: Alarm State  
 Block Alarm: Time Stamp  
 Block Alarm: Subcode  
 Block Alarm: Value

## Discrete Output Function Block

### Overview

The Discrete Output (DO) function block (figure 4-27) processes a discrete set point and outputs it to the specified I/O channel to produce an output signal. The DVC6200f digital valve controller discrete output block provides both normal open/closed control and the ability to position the valve in 5% increments for coarse throttling applications. The digital valve controller measures and uses actual valve position for READBACK\_D [16].

Figure 4-27. Discrete Output (DO) Function Block



**CAS\_IN\_D**= The remote set point value from another function block.

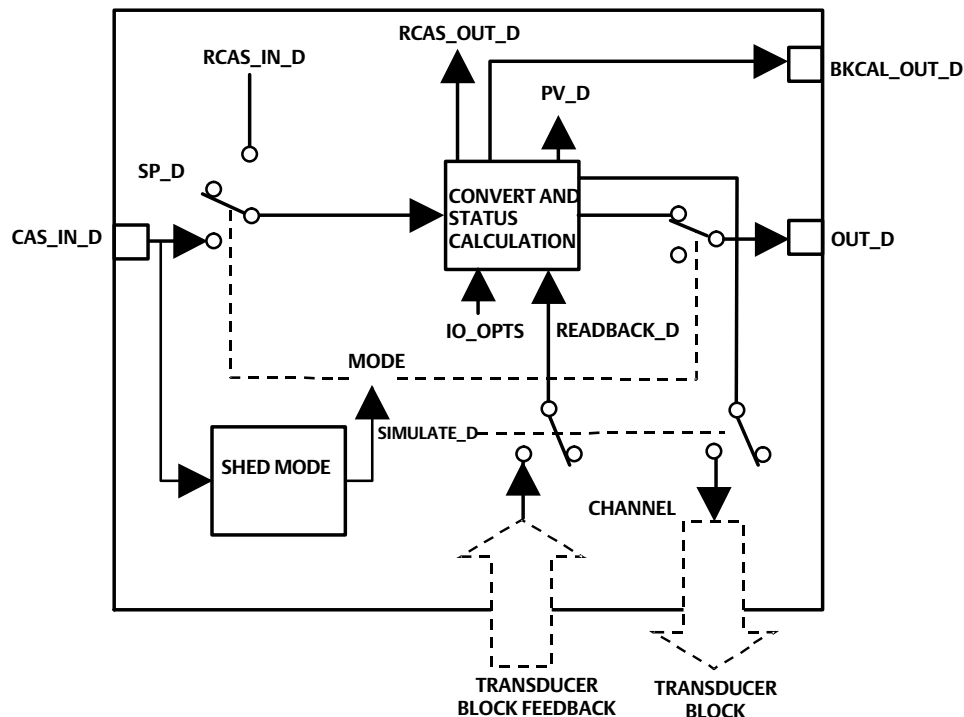
**BKCAL\_OUT\_D** = The value and status required by the BKCAL\_IN\_D input of another block for output tracking.

**OUT\_D** = The block output and status.

**READBACK\_D** = Actual valve position

The DO block supports mode control and simulation. In operation, the DO function block determines its set point and sets the output. The transducer block provides a readback signal of actual position from the instrument. Figure 4-27 illustrates the primary inputs and outputs of the DO function block, figure 4-28 illustrates the internal components of the DO function block. Table 4-72 lists definitions for the function block parameters.

Figure 4-28. Discrete Output Function Block Schematic



When setting up the DO block, CHANNEL [18] must be set to 22, and SHED\_OPT [23] must be non-zero.

#### Note

Actual Block Mode (MODE\_BLK.ACTUAL [5.2]) will remain out of service and the block cannot be scheduled if the block has not been licensed. Contact your Emerson Process Management sales office to upgrade product licensing.

#### Note

Actual Block Mode (MODE\_BLK.ACTUAL [5.2]) will remain in IMAN and the block Readback status will be Bad - Not Connected if the Output Block Selection is set incorrectly. From the transducer block method Outblock Selection, select the desired output block, see page 45.

## Modes

The DO block supports the following modes:

- **Manual (Man)**—The block output OUT\_D [9] value may be entered manually.
- **Automatic (Auto)**—The block algorithm uses the local set point SP\_D [8] value to determine OUT\_D [9].



- **Cascade (Cas)**—The block uses a set point supplied by another function block.

---

**Note**

The transducer block must be in Auto for the mode to go to AUTO, CAS or MAN.

---

- **RemoteCascade (RCas)**—The block uses a set point supplied by a host computer.
- **Out of Service (OOS)**—The block is not processed and the output is not transferred to I/O. The BLOCK\_ERR [6] attribute shows Out of service.

## Mode Handling

### Shed Options — RCAS Mode Only

Shed from or climb to a remote mode is determined by the parameter SHED\_OPT [23]. A block climbs and sheds through the same path. For example, if SHED\_OPT [23] specifies that a block should shed to Auto, then, if the block target mode is set to RCas, the block goes through Auto on the way to RCas. You can configure the shed option as follows:

#### Shed With Return Options

Remote cascade connection failure shifts actual mode but keeps trying to restore remote cascade (in other words, the remote cascade target mode stays in effect).

**Normal**—On failure of a remote cascade connection, the block attempts to attain the highest permitted non-remote mode until remote cascade is restored. Cas is the highest permitted non-remote mode and Auto is the next permitted non-remote mode. If Cas or Auto are not available, the block will shed by default to Man.

**Retained Target**—The retained target mode is the target mode for the block before changing the target mode to a remote mode. On failure of a remote cascade connection, the block attempts to attain the retained target mode.

**Auto**—On failure of a remote cascade connection, the block attempts to attain Auto, if permitted, until remote cascade is restored.

**Man**—On failure of a remote cascade connection, the block sheds to Man until a remote cascade connection is restored.

#### Shed With No Return Options

For any shed with no return option, the target mode changes as determined by the option. Therefore, there is no attempt to restore the connection following failure. The behavior on change to the remote cascade target mode is identical to that for Shed With Return Options.

**Normal**—On failure of a remote cascade connection, the block sets the target mode to the highest permitted non-remote mode. Cas is the highest permitted non-remote mode and Auto is the next highest permitted non-remote mode. If Cas or Auto are not available, the block will shed by default to Man.

**Retained Target**—The retained target mode is the target mode for the block before changing the target mode to a remote mode. On failure of a remote cascade connection, the block sets the target mode to the retained target mode.

**Auto**—On failure of a remote cascade connection, the block sets the target mode to Auto, if permitted.

**Man**—On failure of remote cascade connection, the block sets the target mode to Man, if permitted.

The user may configure SHED\_OPT [23] so that it calls for a target mode that is not permitted. When doing this, the mode logic uses the following rules as applied by the remote logic:

- Shed logic never results in a non-permitted target mode.
- Shed logic never attempts to attain an actual mode of Auto or Cas if that mode is not permitted.

## Block Initialization

The Fieldbus Foundation specification requires that certain parameters have initial values of uninitialized in function blocks. In addition to setting the Resource block mode to AUTO, the control system or the user must change those parameters from their uninitialized value to a valid value in order for the function block to move from the Out of Service mode. For the DO function block, the parameters that must be initialized are:

SHED\_OPT [23] (see page 167 for valid values)

CHANNEL [18]

## Status Handling

Under normal operating conditions, the status of OUT\_D [9] is Good Non-Cascade, and the status of BKCAL\_OUT\_D [21] is Good:Cascade. If the output hardware fails, the status of BKCAL\_OUT\_D [21] is set to Bad:Device Fail, and the BLOCK\_ERR [6] shows Output Failure. If the hardware used for output feedback fails, the status of READBACK\_D [16] and PV\_D [7] is set to Bad:DeviceFail, and the BLOCK\_ERR [6] shows Process Variable has Bad Status. If the transducer block mode is Out of Service, the status of READBACK\_D [16] and PV\_D [7] is set to Bad:Out of Service.

## I/O Selection

To select the I/O associated with the discrete output, configure the value of the CHANNEL [18] parameter. Table 4-69 lists the valid Channel selections for the DO block.

Table 4-69. Channel Selections for the Discrete Output Function Block

Selection	Transducer Block Parameter	Transducer block Index	Description
22	SETPOINT_D	32	Discrete Valve Control
0	-	-	Uninitialized

## Setting the Output

To set the output for the DO block, you must first set the mode to define the manner in which the block determines its set point and output. In Cascade mode, the set point equals the input value at the CAS\_IN\_D [17] parameter. In Automatic or Manual mode, the set point must be entered manually by the user. For Automatic, the value must be written to the SP\_D [8] parameter and for Manual, the value must be written to OUT\_D [9]. In Remote Cascade mode, the set point is determined by a host computer that is writing to the RCAS\_IN\_D [22] parameter. Table 4-70 lists discrete states used by the digital valve controller for the set point.

Table 4-70. Valve Set Point for Discrete State

Discrete State	Valve Set Point with IO_OPTS Invert = 0	Valve Set Point with IO_OPTS Invert = 1
0	Closed	Open
1	Open	Closed
5	5%	Closed
10	10%	Closed
15	15%	Closed
20	20%	Closed
25	25%	Closed
30	30%	Closed
35	35%	Closed
40	40%	Closed
45	45%	Closed
50	50%	Closed
55	55%	Closed
60	60%	Closed
65	65%	Closed
70	70%	Closed
75	75%	Closed
80	80%	Closed
85	85%	Closed
90	90%	Closed
95	95%	Closed
100	Open	Closed

To further customize the output, configure the following supported I/O options: SP tracks PV in Man,

SP tracks PV in LO, SP Track retained target in Man or LO, Fault State to Value, Use Fault State value on restart, Target to Man if Fault State activated, and US PV for BKCAL\_OUT.

**Note**

You can configure the supported I/O options in Out of Service mode only.

The SP\_PV Track in Man option permits the set point to track the process variable when the block is in Manual mode. With this option enabled, the set point (SP\_D [8]) becomes a copy of the process variable

(PV\_D [7]), and a manually-entered SP\_D [8] value is overwritten on the block's next execution cycle. This option can prevent a state change when transitioning from Manual to Automatic mode. You can disable this option in Manual or Out of Service mode only.

The Invert option inverts the set point at SP\_D [8] before it is stored in OUT\_D [9]. With this option enabled, OUT\_D [9] becomes an inverted copy of SP\_D [8] where non-zero values of SP\_D [8] are considered a logic 1. With this option disabled, OUT\_D [9] is a direct copy of SP\_D [8]. The readback value is processed through the Invert option to become PV\_D [7]. The Use PV for BKCAL\_OUT option specifies that BKCAL\_OUT equal the value of the process variable (PV\_D [7]) instead of the set point (SP\_D [8]). If you do not enable this option, BKCAL\_OUT will equal SP\_D [8].

## Output Block PV Status

The Output Block PV Status is determined by the value of the PlantWeb Alerts Set PV Status parameter in the transducer block (PWA\_SET\_STATUS [97]), the Transducer Block mode, and enabled Active PlantWeb alarms. Refer to table 4-11.

## Block Errors

Table 4-71 lists conditions reported in the BLOCK\_ERR [6] parameter. Conditions in *italics* are not applicable for the DO block and are provided only for your reference.

Table 4-71. BLOCK\_ERR Conditions

Condition Number	Condition Name and Description
0	<i>Other (N/A)</i>
1	Block Configuration Error - SHED_OPT or CHANNEL set to 0 (uninitialized)
2	<i>Link Configuration Error (N/A)</i>
3	Simulate active - Simulation is enabled and the block is using a simulated value in its execution.
4	Local Override - Device in fault state. Actual mode LO.
5	Device Fault State Set - DO block in fault state after FSTATE_TIME because of Bad status or IFS substatus on CAS_IN_D or Resource block commanded fault state.
6	Device Needs Maintenance Soon - Indicates a Maintenance PlantWeb Alert condition is active if Block Error Reporting is enabled. See page 62.
7	Input failure/process variable has Bad status - PV has bad status and Feature Select in the Resource block has the Out Readback bit set or the transducer block mode is Out of Service.
8	Output failure - PV has bad status or the transducer block mode is Out of Service.
9	<i>Memory Failure (N/A)</i>
10	<i>Lost Static Data (N/A)</i>
11	<i>Lost NV Data (N/A)</i>
12	<i>Readback Check Failed (N/A)</i>
13	Device Needs Maintenance Now - Indicates Failed PlantWeb Alert condition is active if Block Error Reporting is enabled. See page 62.
14	Power Up - This condition exists after power up until actual mode is not Out of Service.
15	Out of Service - The block is in Out of Service (OOS) mode.

## Action on Fault Detection

Fault State is caused by one of three sources: A status pertaining to CAS, A status pertaining to RCAS, or SET\_FSTATE [29] in the resource block. To implement Fault State, configure the following parameters:

IO\_OPTS [14]: Determines the action OUT\_D [9] will take upon a fault state. If the IO\_OPTS [14] “Fault State to Value” is not selected, then OUT\_D [9] holds its last position when Fault State is set. If “Fault State to Value” is selected, OUT\_D [9] goes to the FSTATE\_VAL\_D [20] value when Fault State is set.

FSTATE\_TIME [19]: The length of time, in seconds, that the DO block will wait to set Fault State. When

Fault State is set, the OUT\_D [9] value goes to either the FSTATE\_VAL\_D [20] value or holds its last position, depending on I/O\_OPTS [14]. When the block has a target mode of CAS, a fault condition will be detected if the CAS\_IN\_D [17] has a BAD status or an Initiate Fault State substatus is received from the upstream block.

FSTATE\_VAL\_D [20]: Determines the OUT\_D [9] value if IO\_OPTS [14] “Fault State to Value” is selected. The OUT\_D [9] value transitions to FSTATE\_VAL\_D [20] after FSTATE\_TIME [19] elapses and the fault condition has not cleared.

## Simulation

To support testing of the control strategy, you can enable the SIMULATE\_D [17] parameter. Normally, the valve position value and status used for READBACK\_D [16] in the DO block reflect actual process values to the nearest 5%, as provided by the transducer block. When the SIMULATE\_D [17] parameter is enabled, value and status used for READBACK\_D [16] is supplied by the user manually. To enable simulation in the DO function block, the simulate jumper must be installed. Refer to page 13 of the Installation section for information on the installation of this jumper.

**Note**

When simulate is active, the output block no longer writes values to the transducer block. If the Output Blk Timeout period is exceeded, the transducer block may move the valve to the Zero Power Condition depending on the configuration of the Output Block Timeout Alert.

The SIMULATE\_D [10] parameter has three components:

- Simulate Enable\_Disable determines whether the function block will use the actual valve position value and status, or Simulate Value and Simulate Status.
- Transducer Value and Status reflect the process values provided by the transducer block.
- Simulate Value and Status may be entered by the user when Simulate Enable\_Disable is set to Enabled.

To use simulate, first install the simulate jumper in the terminal box, then set Simulate Enable\_Disable to Enabled, then enter the desired values for Simulate Value and Status.

When SIMULATE\_D [10] is Enabled, the Simulate Active bit of the BLOCK\_ERR [6] parameter is set (refer to the Block Errors description). When the simulate jumper is installed, the Simulate Jumper bit of the transducer block parameter SELFTEST\_STATUS [78] is set.

## DO Function Block Parameter List (table 4-72)

- Read/Write Capability: RO - Read Only, RW - Read Write
- Mode: The block mode(s) required to write to the parameter
- Double indentation and shaded Index Number indicates sub-parameter

Table 4-72. Discrete Output Function Block Parameter Definitions

Label PARAMETER_NAME	Index Number	RO / RW	Mode	Range	Initial Value	Description
Static Revision ST_REV	1	RO	N/A	0 to 65535	0	Data Type: Unsigned16 The revision level of the static data associated with the function block. The revision value will be incremented each time a static parameter value in the block is changed.
Tag Description TAG_DESC	2	RW	ALL	7 bit ASCII	Spaces	Data Type: Octet String The user description of the intended application of the block.
Strategy STRATEGY	3	RW	ALL	0 to 65535	0	Data Type: Unsigned16 The strategy field can be used to identify grouping of blocks. This data is not checked or processed by the block.
Alert Key ALERT_KEY	4	RW	ALL	1 to 255	0	Data Type: Unsigned8 The identification number of the plant unit. This information may be used in the host for sorting alarms, etc.

-Continued-

Table 4-72. Discrete Output Function Block Parameter Definitions (Continued)

Label PARAMETER_NAME	Index Number	RO / RW	Mode	Range	Initial Value	Description
Block Mode MODE_BLK	5					Data Type: DS-69 Valid Bits: 7: OOS, 5: LO, 4: MAN, 3: AUTO 2: CAS, 1: RCAS The actual, target, permitted, and normal modes of the block. Target: The requested block mode Actual: The current mode of the block Permitted: Allowed modes for Target Normal: Most common mode for Target
TARGET	5.1	RW	ALL	OOS MAN AUTO AUTO-CAS, AUTO-RCAS	OOS until block is configured, then last valid target	
ACTUAL	5.2	RO	ALL		OOS	
PERMITTED	5.3	RW	ALL	OOS+MAN+AUTO+ CAS+RCAS	OOS+MAN+A UTO+CAS +RCAS	
NORMAL	5.4	RW	ALL		AUTO+CAS	
Block Error BLOCK_ERR	6	RO	N/A	1: Block Configuration Error 3: Simulate Active 4: Local Override 5: Device Fault State Set 7: Input Failure / Bad PV Status 8: Output Failure 14: Power-up 15: Out-of-Service	Dynamic	Data Type: Bit String 0=Inactive 1=Active This parameter reflects the error status associated with the hardware or software components associated with a block. It is a bit string, so that multiple errors may be shown.
Process Value Discrete PV_D	7	RO	N/A	PV_D Status set equal to Readback_D Status	Dynamic	Data Type: DS-66 The discrete process variable calculated from READBACK_D.
Setpoint Discrete SP_D	8		OOS MAN AUTO	PV_STATE		Data Type: DS-66 The discrete target block output value (set point).
Output Discrete OUT_D	9		MAN	OUT_STATE		Data Type: DS-66 Position target of valve. 0=closed, 1=open, 2-100 position the value in 5% steps.
Simulate Discrete SIMULATE_D	10					Data Type: DS-83 Allows the transducer discrete input or output to the block to be manually supplied when simulate is enabled. When simulation is disabled, the simulate value and status track the actual value and status.
SIMULATE_STATUS	10.1		ALL		0	
SIMULATE_VALUE	10.2		ALL		0	
TRANSDUCER_STATUS	10.3	RO			0	
TRANSDUCER_VALUE	10.4	RO			0	
ENABLE/DISABLE	10.5		ALL	0=Not initialized 1=Simulation Disabled 2=Simulation Active	1	
Process Value State PV_STATE	11		ALL		0	Data Type: Uint16 Index to the text describing the states of a discrete output.
Transducer State XD_STATE	12		ALL		0	Data Type: Uint16 Index to the text describing the states of a discrete for the value obtained from the transducer.
Grant Deny GRANT_DENY	13					Data Type: DS-70 Options for controlling access of host computers and local control panels to operating, tuning, and alarm parameters of the block. GRANT:0=N/A, 1=granted DENY: 0=N/A, 1=denied
GRANT	13.1		N/A	0: Program 1: Tune	All bits: 0	
DENY	13.2		N/A	2: Alarm 3: Local	All bits: 0	

-Continued-

Table 4-72. Discrete Output Function Block Parameter Definitions (Continued)

Label PARAMETER_NAME	Index Number	RO / RW	Mode	Range	Initial Value	Description
I/O Options IO_OPTS	14		OOS	Valid Bits 0: Invert 1: SP tracks PV in Man 3: SP tracks PV in LO 4: SP Track retained target in Man or LO 6: Fault State to value 0: freeze 1: go to Fault State value 7: Use Fault State value on restart 8: Target to Man if Fault State activated 9: Use PV for BKCAL_OUT 0: SP 1: PV	All bits: 0	Data Type: Bit String 0=Disable 1=Enable Allows you to select the type of tracking and the output value when a fault condition occurs. Supported I/O options for the DO function block are SP Tracks PV in Man, SP Tracks PV in LO, SP Tracks Retained Target in Man or LO, Fault State to Value, Use Fault state on Restart, Target to Man if Fault State Activated, and Use PV for BKCAL_OUT.
Status Options STATUS_OPTS	15		OOS	4: Propagate Failure Backward	All bits: 0	Data Type: Bit String 0=Disable 1=Enable Options the user may select for the block processing of status.
Readback Discrete READBACK_D	16	RO	N/A		Dynamic	Data Type: DS-66 0=closed, 1=open, 5, 10, 15, 30...etc. are position in 5% increments.
Cascade Input Discrete CAS_IN_D	17		ALL	Status	BAD: NC: const	Data Type: DS-66 The remote set point value from another block.
				Value	0	
DO Channel CHANNEL	18		OOS	0=undefined 22=Setpoint (D)	22= Setpoint (D)	Data Type: Unsigned16 Defines which transducer parameter receives the DO output. Select Setpoint (D) to control valve position.
Fault State Time FSTATE_TIME	19		ALL	Positive	0	Data Type: Float Time from detection of a fault in the remote set point to the Fault State output action.
Fault State Value Discrete FSTATE_VAL_D	20		ALL		0	Date Type: Unsigned8 Preset discrete SP_D value to use if I/O_OPTS Fault State to Value is set.
Back Calculation Output Discrete BKCAL_OUT_D	21	RO	N/A		Dynamic	Data Type: DS-66 The value and status required by the BKCAL_IN_D input of another block for output tracking
Remote Cascade Input Discrete RCAS_IN_D	22		ALL	Status	BAD: NoCom: NoVal: const	Date Type: DS-66 Target set point and status provided by a supervisory host to a discrete control or output block.
				Value	0	

-Continued-

Table 4-72. Discrete Output Function Block Parameter Definitions (Continued)

Label PARAMETER_NAME	Index Number	RO / RW	Mode	Range	Initial Value	Description
Shed Options SHED_OPT	23		ALL	0=Uninitialized 1=Normal Shed, Normal Return 2=Normal Shed, No Return 3=Shed to Auto, normal return 4=Shed to Auto, no return. Target mode changes to Auto on detection of a shed condition 5=Shed to Manual, normal return 6=Shed to Manual, No return. Target mode changes to MAN on detection of a shed condition. 7=Shed to retained target, normal return 8=Shed to retained target, no return. (Change target to retained target)	0	Data Type: Unsigned8 Defines action to be taken on remote control device timeout. Normal Return - actual mode changes to the next lowest priority non-remote mode permitted but returns to the target remote mode when the remote computer completes the initialization handshake. No Return - Target mode changes to the next lowest priority non-remote mode permitted. The target remote mode is lost, so no return occurs.
Remote Cascade Output Discrete RCAS_OUT_D	24	RO	N/A		Dynamic	Data Type: DS-66 Block set point and status after ramping, provided to a supervisory host for back calculation and to allow action to be taken under limiting conditions or mode change.
Update Event UPDATE_EVT	25					Data Type: DS-73 This alert is generated by any change to the static data.
UNACKNOWLEDGED	25.1	RW	N/A	0=Undefined 1=Acknowledged 2=Unacknowledged	0=Undefined	
UPDATE_STATE	25.2	RO	N/A	0=Undefined 1=Update reported 2=Update not reported	0=Undefined	
TIME_STAMP	25.3	RO	N/A		0	
STATIC_REVISION	25.4	RO	N/A		0	
RELATIVE_INDEX	25.5	RO	N/A		0	
Block Alarm BLOCK_ALM	26					Data Type: DS-72 The block alarm is used for all configuration, hardware, connection failure, or system problems in the block. The cause of the alert is entered in the subcode field. The first alert to become active will set the active status in the status parameter. As soon as the Unreported status is cleared by the alert reporting procedure, and other block alert may be reported without clearing the Active status, if the subcode has changed.
UNACKNOWLEDGED	26.1	RW	N/A	0=Undefined 1=Acknowledged 2=Unacknowledged	0	
ALARM_STATE	26.2	RO	N/A	0=Undefined 1=Clear reported 2=Clear not reported 3=Active reported 4=Active not reported	0	
TIME_STAMP	26.3	RO	N/A		0	
SUBCODE	26.4	RO	N/A		0	
VALUE	26.5	RO	N/A		0	
<b>Extended Blocks</b>						
Setpoint Rate Up SP_RATE_UP	27			> = 0	0	Data Type: Float The ramp rate for SP up in AUTO, CAS, and RCAS modes. Measured in PV units/sec.
Setpoint Rate Down SP_RATE_DN	28			> = 0	0	Data Type: Float The ramp rate for SP down in AUTO, CAS, and RCAS modes. Measured in PV units/sec.



## View Lists

View lists allow the values of a set of parameters to be accessed at the same time. Views 1 and 2 contain operating parameters and are defined by the Fieldbus Foundation. View 3 contains dynamic parameters and View 4 contains static parameters with configuration and maintenance information. Views 3 and 4 are defined by the manufacturer.

Table 4-73. DO Function Block, View 1

Index Number	Parameter
1	ST_REV
5.1	MODE_BLK.TARGET_MODE
5.2	MODE_BLK.ACTUAL_MODE
5.3	MODE_BLK.PERMITTED_MODE
5.4	MODE_BLK.NORMAL_MODE
6	BLOCK_ERR
7	PV_D
8	SP_D
9	OUT_D
16	READBACK_D
17	CAS_IN_D

Table 4-74. DO Function Block, View 2

Index Number	Parameter
1	ST_REV
11	PV_STATE
12	XD_STATE
13.1	GRANT_DENY.GRANT
13.2	GRANT_DENY.DENY

Table 4-75. DO Function Block, View 3

Index Number	Parameter
1	ST_REV
5.1	MODE_BLK.TARGET_MODE
5.2	MODE_BLK.ACTUAL_MODE
5.3	MODE_BLK.PERMITTED_MODE
5.4	MODE_BLK.NORMAL_MODE
6	BLOCK_ERR
7	PV_D
8	SP_D
9	OUT_D
16	READBACK_D
17	CAS_IN
21	BKCAL_OUT_D
22	RCAS_IN_D
24	RCAS_OUT_D

Table 4-76. DO Function Block, View 4

Index Number	Parameter
1	ST_REV
3	STRATEGY
4	ALERT_KEY
14	IO_OPTS
15	STATUS_OPTS
18	CHANNEL
19	FSTATE_TIME
20	FSTATE_VAL_D
24	SHED_OPT
27	SP_RATE_UP
28	SP_RATE_DN

# Field Communicator Menu Structure

## DISCRETE OUTPUT FUNCTION BLOCK

### Quick Config

Alert Key  
 Process Value Discrete: Status  
 Process Value Discrete: Value  
 Setpoint Discrete: Status  
 Setpoint Discrete: Value

### Common Config

Alert Key  
 I/O Options  
 Block Mode: Target  
 Block Mode: Actual  
 Block Mode: Permitted  
 Block Mode: Normal  
 Setpoint Discrete: Status  
 Setpoint Discrete: Value

### Advanced Config

Fault State Time  
 Fault State Value Discrete  
 Process Value State  
 Shed Options  
 Simulate Discrete: Simulate Status  
 Simulate Discrete: Simulate Value  
 Simulate Discrete: Transducer Status  
 Simulate Discrete: Transducer Value  
 Simulate Discrete: Simulate En/Disable  
 Static Revision  
 Status Options  
 Strategy  
 Transducer State

### I/O Reference

DO Channel

### Connectors

Back Calculation Output Discrete: Status  
 Back Calculation Output Discrete: Value  
 Cascade Input Discrete: Status  
 Cascade Input Discrete: Value  
 Output Discrete: Status  
 Output Discrete: Value

### Online

Back Calculation Output Discrete: Status  
 Back Calculation Output Discrete: Value  
 Block Error  
 Cascade Input Discrete: Status  
 Cascade Input Discrete: Value  
 Block Mode: Target  
 Block Mode: Actual  
 Block Mode: Permitted  
 Block Mode: Normal  
 Output Discrete: Status  
 Output Discrete: Value  
 Process Value Discrete: Status  
 Process Value Discrete: Value  
 Remote Cascade Input Discrete: Status  
 Remote Cascade Input Discrete: Value  
 Remote Cascade Output Discrete: Status  
 Remote Cascade Output Discrete: Value  
 Readback Discrete: Status  
 Readback Discrete: Value  
 Setpoint Discrete: Status  
 Setpoint Discrete: Value

### Status

Block Error

### Other

Tag Description  
 Grant Deny: Grant  
 Grant Deny: Deny  
 Update Event: Unacknowledged  
 Update Event: Update State  
 Update Event: Time Stamp  
 Update Event: Static Rev  
 Update Event: Relative Index  
 Block Alarm: Unacknowledged  
 Block Alarm: Alarm State  
 Block Alarm: Time Stamp  
 Block Alarm: Subcode  
 Block Alarm: Value  
 Setpoint Rate Up  
 Setpoint Rate Down

### All

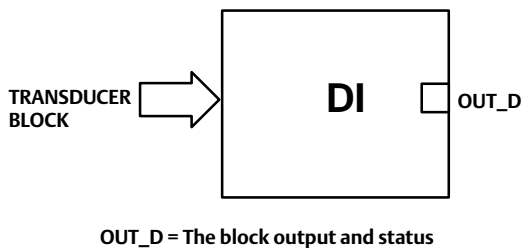
Characteristics  
 Static Revision  
 Tag Description  
 Strategy  
 Alert Key  
 Block Mode: Target  
 Block Mode: Actual  
 Block Mode: Permitted  
 Block Mode: Normal  
 Block Error  
 Process Value Discrete: Status  
 Process Value Discrete: Value  
 Setpoint Discrete: Status  
 Setpoint Discrete: Value  
 Output Discrete: Status  
 Output Discrete: Value  
 Simulate Discrete: Simulate Status  
 Simulate Discrete: Simulate Value  
 Simulate Discrete: Transducer Status  
 Simulate Discrete: Transducer Value  
 Simulate Discrete: Simulate En/Disable  
 Process Value State  
 Transducer State  
 Grant Deny: Grant  
 Grant Deny: Deny  
 I/O Options  
 Status Options  
 Readback Discrete: Status  
 Readback Discrete: Value  
 Cascade Input Discrete: Status  
 Cascade Input Discrete: Value  
 DO Channel  
 Fault State Time  
 Fault State Value  
 Back Calculation Output Discrete: Status  
 Back Calculation Output Discrete: Value  
 Remote Cascade Input Discrete: Status  
 Remote Cascade Input Discrete: Value  
 Shed Options  
 Remote Cascade Output Discrete: Status  
 Remote Cascade Output Discrete: Value  
 Update Event: Unacknowledged  
 Update Event: Update State  
 Update Event: Time Stamp  
 Update Event: Static Rev  
 Update Event: Relative Index  
 Block Alarm: Unacknowledged  
 Block Alarm: Alarm State  
 Block Alarm: Time Stamp  
 Block Alarm: Subcode  
 Block Alarm: Value  
 Setpoint Rate Up  
 Setpoint Rate Down

# Discrete Input Function Block

## Overview

The Discrete Input (DI) function block (figure 4-29) processes a single discrete input from a field device and makes it available to other function blocks. You can configure inversion and alarm detection on the input value. In the DVC6200f digital valve controller, the discrete input function block can provide limit switch functionality and valve position proximity detection. The DI function block supports mode control, signal status propagation, and simulation.

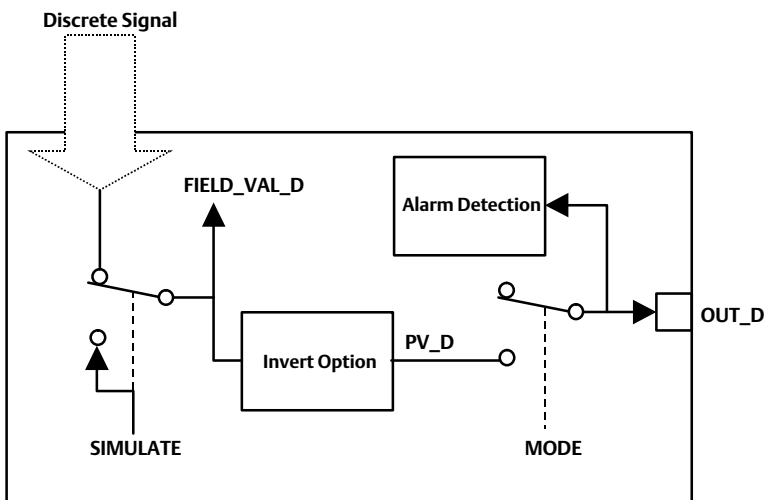
Figure 4-29. Discrete Input (DI) Function Block



Normally, the block is used in Automatic mode so that the process variable (PV\_D [7]) is copied to the output (OUT\_D [8]). You can change the mode to Manual to disconnect the field signal and substitute a manually-entered value for the output. In this case, PV\_D [7] continues to show the value that will become the OUT\_D [8] when the mode is changed to Automatic.

To support testing, you can enable simulation, which allows the measurement value to be supplied manually through the SIMULATE\_D [9] parameter. Figure 4-30 illustrates the internal components of the DI function block, and table 4-81 lists the definitions of the block parameters.

Figure 4-30. Discrete Input Function Block Schematic



## Modes

The Discrete Input function block supports the following modes:

- **Manual (Man)**—The block output (OUT\_D [8]) is disconnected from the field and set manually.
- **Automatic (Auto)**—The block algorithm determines output.
- **Out of Service (OOS)**—The block is not processed. The OUT\_D [8] status is set to Bad: Out of Service. The BLOCK\_ERR [6] parameter shows Out of Service.

## Block Initialization

The Fieldbus Foundation specification requires that certain parameters in the function blocks have initial values of uninitialized. In addition to setting the Resource block mode to AUTO, the control system or the user must change those parameters from their uninitialized value to a valid value in order for the function block to move from the Out of Service mode. For the DI function block, the CHANNEL [15] parameter must be initialized.

## Status Handling

Under normal conditions, a Good: Non-Cascade status is passed through to OUT\_D [8]. The block also supports the Status Action On Failure and BLOCK\_ERR [6] indications.

When SIMULATE\_D [9] is enabled, FIELD\_VAL\_D [7], PV\_D [7], and OUT\_D [8] change to the simulated status. When the block is set to Manual mode, OUT\_D [7] is set to Good: Non-cascade, Constant status.

## I/O Selection

To select the I/O associated with the discrete measurement, configure the value of the CHANNEL [15] parameter.

In the digital valve controller, the four classes of channels are

- Valve travel
- Open/Closed limit switch
- Variable limit switch based on transducer block travel alarm settings.
- Proximity position detection based on transducer block travel alarm settings.

The CHANNEL [15] parameter for each of the four DI blocks available in the digital valve controller may be set independently to achieve the desired position detection. The DI block CHANNEL [15] definitions are listed in table 4-77. Refer to the following descriptions for details of the operation of these channels.

## Valve Travel

Channel 23 provides valve travel.

0 = Closed, 1 = 100% open, 5 = 5% open, 10 = 10% open, 15 = 15% open, etc.

Table 4-77. Channel Selection for the Discrete Input Function Block

Selection	Transducer Block Parameter <sup>(1)</sup>	Transducer Block Index Number	Bit Number <sup>(2)</sup>
23	TRAVEL_D	33	N/A
24	INST_ALERTS_ACTIVE:PROX_ACTIVE	74.5	0: Travel Open
25	INST_ALERTS_ACTIVE:PROX_ACTIVE	74.5	1: Travel Closed
26	INST_ALERTS_ACTIVE:TRAVEL_ACTIVE	74.4	2: Travel Limit Lo Lo
27	INST_ALERTS_ACTIVE:TRAVEL_ACTIVE	74.4	4: Travel Limit Lo
28	INST_ALERTS_ACTIVE:TRAVEL_ACTIVE	74.4	3: Travel Limit Hi
29	INST_ALERTS_ACTIVE:TRAVEL_ACTIVE	74.4	1: Travel Limit Hi Hi
30	INST_ALERTS_ACTIVE:PROX_ACTIVE	74.5	5: Proximity Lo Lo
31	INST_ALERTS_ACTIVE:PROX_ACTIVE	74.5	4: Proximity Lo
32	INST_ALERTS_ACTIVE:PROX_ACTIVE	74.5	3: Proximity Hi
33	INST_ALERTS_ACTIVE:PROX_ACTIVE	74.5	2: Proximity Hi Hi

1. Refer to table 4-14 for parameter descriptions.  
 2. See pages 50 and 52, Travel Alerts and Prox Alerts, for information on accessing these alerts. Refer to Appendix F for information on accessing these alerts through DeltaV.

## Open/Closed Limit Switch

Channels 24 and 25 provide valve open and closed limit switch functionality for the DI block. These channels will detect if the valve position is more than the Travel Open Alert Point for open detection or less than the Travel Closed Alert Point for closed detection. These channels provide an adjustable deadband to clear the detected position.

0= Not Active, 1= Active

## Variable Limit Switch

Channels 26 through 29 provide variable limit switch functionality for the DI block. Trip points for this limit switch functionality are based on the Travel Alert settings in the transducer Block. The DI function block provides the same type of position detection as the travel alerts in the transducer block. Table 4-78 lists the transducer block parameters used with DI block channels 26 through 29. Refer to Travel and Prox, on page 50 for more information on the transducer block travel alerts.

0= Not Active, 1= Active

Table 4-78. Transducer Block Parameters Used with Discrete Input Function Block Channels 26 through 29 (Variable Limit Switch)

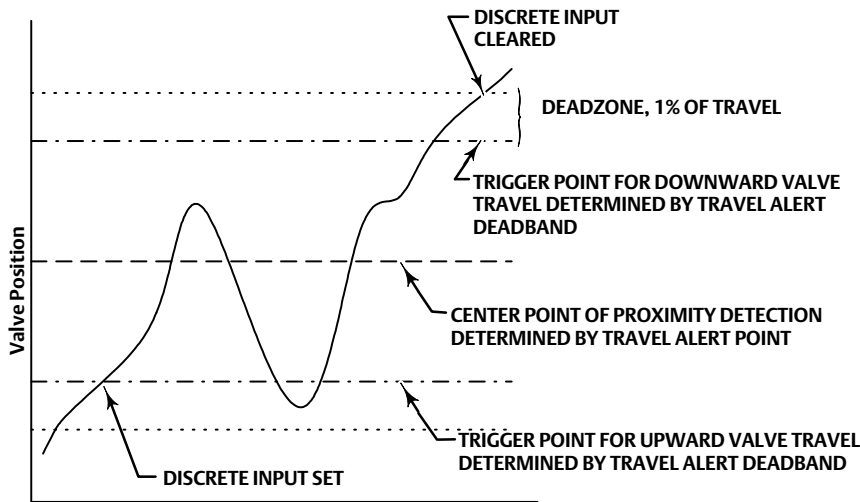
Transducer Block Parameter	Parameter Function
Travel Lo Lo Alert Point	Lo Lo Limit Switch Trip Point
Travel Lo Lo Alert Deadband	Lo Lo Limit Switch Deadband
Travel Lo Alert Point	Lo Limit Switch Trip Point
Travel Lo Alert Deadband	Lo Limit Switch Deadband
Travel Hi Alert Point	Hi Limit Switch Trip Point
Travel Hi Alert Deadband	Hi Limit Switch Deadband
Travel Hi Hi Alert Point	Hi Hi Limit Switch Trip Point
Travel Hi Hi Alert Deadband	Hi Hi Limit Switch Deadband

## Valve Position Proximity Detection

Channels 30 through 33 provide valve position proximity detection for the DI block. The transducer block Travel Alert Point and Travel Alert Deadband parameters are also used with the valve position proximity, but they provide a different function. The Travel Alert Point for the selected channel determines the center point for the position to be detected. The Travel Alert Deadband for the selected channel sets the upper and lower trigger points, or the width of the proximity detection band. A 1% deadzone exists above and below this band that the travel must exceed to clear

the detected position. Figure 4-31 illustrates the operation of the proximity detection function. Travel Alert Point refers to Travel Lo Alert Point, Travel Hi Alert Point, Travel Lo Lo Alert Point, and Travel Hi Hi Alert Point in table 4-79. Travel Alert Deadband refers to Travel Lo Alert Deadband, Travel Hi Alert Deadband, Travel Lo Lo Alert Deadband, and Travel Hi Hi Alert Deadband in table 4-79.

Figure 4-31. Discrete Input Proximity Detection Function



0= Not Active, 1= Active

Table 4-79 lists the transducer block parameters used for proximity detection with DI block channels 30 through 33.

Table 4-79. Transducer Block Parameters Used with Discrete Input Function Block Channels 30 through 33

Transducer Block Parameter	Parameter Function
Travel Lo Lo Alert Point	Lo Lo Proximity Detection Center Point
Travel Lo Lo Alert Deadband	Lo Lo Proximity Detection Width
Travel Lo Alert Point	Lo Proximity Detection Center Point
Travel Lo Alert Deadband	Lo Proximity Detection Width
Travel Hi Alert Point	Hi Proximity Detection Center Point
Travel Hi Alert Deadband	Hi Proximity Detection Width
Travel Hi Hi Alert Point	Hi Hi Proximity Detection Center Point
Travel Hi Hi Alert Deadband	Hi Hi Proximity Detection Width

## Field Value Processing

The Invert bit of the IO\_OPTS [13] parameter may be used to logically invert the value of FIELD\_VAL\_D [17] before it is stored as PV\_D [7]. PV\_FTIME [16] may

be used to set the length of time that FIELD\_VAL\_D [17] must be in a new state before that new state is reflected in PV\_D. The PV\_D [7] value goes to the mode switch where it becomes OUT\_D [8] when the actual mode is AUTO. OUT\_D [8] is also tested for an alarm state.

### Note

Invert is the only I/O option that the DI block supports. You can set the I/O option only when the block mode is Out of Service.

## Alarm Detection

To select the state that initiates an input alarm, and to set discrete alarm substatus in the output, configure the DISC\_LIM [23] parameter. You can enter any value between 0 and 255. A value of 255 disables the alarm. When OUT\_D [8] matches the DISC\_LIM [23] state, the discrete value of an alarm is set.

## Block Errors

Table 4-80 lists conditions reported in the BLOCK\_ERR [6] parameter. Conditions in *italics* are not applicable for the DI block and are provided only for your reference.

Table 4-80. BLOCK\_ERR Conditions

Condition Number	Condition Name and Description
0	<i>Other (N/A)</i>
1	Block Configuration Error—CHANNEL set to 0 through 10 (uninitialized)
2	<i>Link Configuration Error (N/A)</i>
3	Simulate Active—Simulate is enabled. Output does not reflect process conditions
4	<i>Local Override (N/A)</i>
5	<i>Device Fault State Set (N/A)</i>
6	<i>Device Needs Maintenance Soon (N/A)</i>
7	Input failure/process variable has Bad status—The hardware is bad or the transducer block mode is Out of Service
8	<i>Output Failure (N/A)</i>
9	<i>Memory Failure (N/A)</i>
10	<i>Lost Static Data (N/A)</i>
11	<i>Lost NV Data (N/A)</i>
12	<i>Readback Check Failed (N/A)</i>
13	<i>Device Needs Maintenance Now (N/A)</i>
14	Power Up—Set after power-up until actual mode is not Out of Service
15	Out of Service—The actual mode is Out of Service (OOS). The block is not being processed.

## Action on Failure

In case of hardware failure, FIELD\_VAL\_D [17], PV\_D [7], and OUT\_D [8] change to a Bad status and the BLOCK\_ERR [6] parameter shows Process Variable has Bad Status. If the transducer block mode is Out of Service, the status of FIELD\_VAL\_D [17], PV\_D [7], and OUT\_D [8] is set to Bad:Out of Service.

## Simulation

To support testing of the control strategy, you can enable the SIMULATE\_D [9] parameter. Normally the measurement value and status used for FIELD\_VAL\_D [17] in the DI block reflect actual process values as provided by the transducer block. When the SIMULATE\_D [9] parameter is enabled, value and status used for FIELD\_VAL\_D [17] is supplied by the user manually. To enable simulation in the DI function block, the simulate jumper must be installed. For information on the installation of this jumper, see the Installation section.

The SIMULATE\_D [9] parameter has three components:

- Simulate\_D enable/disable determines whether the function block will use the actual process value and status, or Simulate Value and Simulate Status.
- Transducer Value and Status reflect the process values provided by the transducer block.
- Simulate Value and Status may be entered by the user when enable/disable is set to enabled.

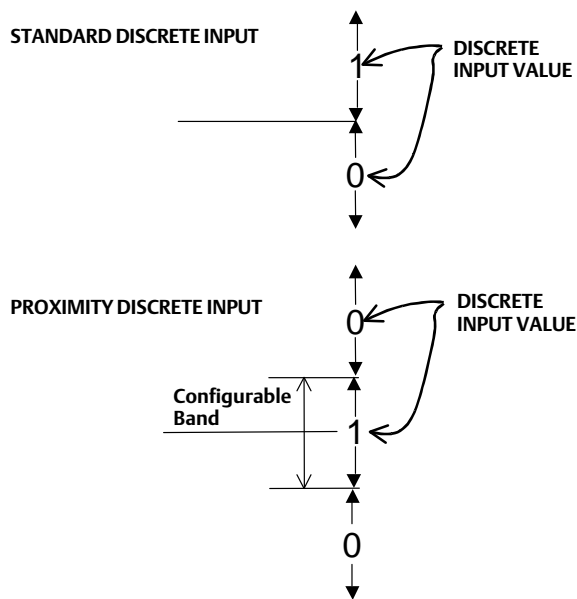
To use simulate, first install the simulate jumper in the terminal box, then set Simulate\_D enable/disable to enabled, then enter the desired values for Simulate Value and Status.

When SIMULATE\_D [9] is enabled, the Simulate Active bit of the BLOCK\_ERR [6] parameter is set (refer to the Block Errors description). When the simulate jumper is installed, the Simulate Jumper bit of the transducer block parameter SELFTEST\_STATUS [78] is set.

## Application Information

Figure 4-32 compares the operation of a standard discrete input to a proximity discrete input. With the standard discrete input, the discrete input changes state when the valve position passes a configurable trip point. This can be used to indicate if the valve position is above or below the trip point.

Figure 4-32. Proximity Discrete Input Compared to a Standard Discrete Input



With the proximity discrete input a configurable band can be established about a central point. Whenever the valve position enters this configurable band, the discrete input changes state. A proximity discrete input is useful for applications which require knowing the location of the valve when the valve is not near 0% or 100%.

## DI Function Block Parameter List (table 4-81)

- Read/Write Capability: RO - Read Only, RW - Read Write
- Mode: The block mode(s) required to write to the parameter
- Double indentation and shaded Index Number indicates sub-parameter



Table 4-81. Discrete Input Function Block Parameter Definitions

Label PARAMETER_NAME	Index Number	RO / RW	Block Mode	Range	Initial Value	Description
Static Revision ST_REV	1	RO	N/A	0 to 65535	0	Data Type: Unsigned16 The revision level of the static data associated with the function block. The revision value will be incremented each time a static parameter value in the block is changed.
Tag Description TAG_DESC	2	RW	ALL	7 bit ASCII	Spaces	Data Type: Octet String The user description of the intended application of the block.
Strategy STRATEGY	3	RW	ALL	0 to 65535	0	Data Type: Unsigned16 The strategy field can be used to identify grouping of blocks. This data is not checked or processed by the block.
Alert Key ALERT_KEY	4	RW	ALL	1 to 255	0	Data Type: Unsigned8 The identification number of the plant unit. This information may be used in the host for sorting alarms, etc.
Block Mode MODE_BLK	5					Data Type: DS-69 Valid Bits: 7:OOS, 4:MAN, 3:AUTO The actual, target, permitted, and normal modes of the block. Target: The requested block mode Actual: The current mode of the block Permitted: Allowed modes for Target Normal: Most common mode for Target
TARGET	5.1	RW	ALL	OOS MAN AUTO	OOS until block is configured, then last valid target	
ACTUAL	5.2	RO	ALL		OOS	
PERMITTED	5.3	RW	ALL	OOS+MAN+A UTO	OOS+MAN+A UTO	
NORMAL	5.4	RO	ALL		AUTO	
Block Error BLOCK_ERR	6	RO	N/A	Defined Bits 1: Block Configuration Error 3: Simulate Active 7: Input Failure / Bad PV Status 14: Power-up 15: Out-of-Service	Dynamic	Data Type: Bit String 0=Inactive 1=Active This parameter reflects the error status associated with the hardware or software components associated with a block. Multiple errors may be shown, see table 4-80.
Process Value Discrete PV_D	7	RO	N/A	PV_D Status set equal to Field_Val_D Status	Dynamic	Data Type: DS-66 The process variable used in block execution. Value is converted from Readback to show the actuator position in the same units as the set point value.
Output Discrete OUT_D	8		OOS MAN	OUT_STATE		Data Type: DS-66 The primary discrete value calculated as a result of executing the function.
Simulate Discrete SIMULATE_D	9					Data Type: DS-83 Allows the transducer discrete input or output to the block to be manually supplied when simulate is enabled. When simulation is disabled, the simulate value and status track the actual value and status.
SIMULATE_STATUS	9.1		ALL		0	
SIMULATE_VALUE	9.2		ALL		0	
TRANSDUCER_STATUS	9.3	RO	ALL		0	
TRANSDUCER_VALUE	9.4	RO	ALL		0	
ENABLE/DISABLE	9.5			0=Not initialized 1=Simulation Disabled 2=Simulation Active	1=Simulation Disabled	
Transducer State XD_STATE	10		ALL		0	Data Type: Uint16 Index to the text describing the states of a discrete for the value obtained from the transducer.
Output State OUT_STATE	11		ALL		0	Data Type: Unsigned16 Index to the text describing the states of a discrete output.

-Continued-

Table 4-81. Discrete Input Function Block Parameter Definitions (Continued)

Label PARAMETER_NAME	Index Number	RO / RW	Block Mode	Range	Initial Value	Description
Grant Deny GRANT_DENY	12					Data Type: DS-70 Options for controlling access of host computers and local control panels to operating, tuning, and alarm parameters of the block. GRANT: 0=NA, 1=granted DENY: 0=NA, 1=denied
GRANT	12.1		ALL	0: Program 1: Tune	All bits:0	
DENY	12.2		ALL	2: Alarm 3: Local	All bits: 0	
I/O Options IO_OPTS	13		OOS	0: Invert	All bits:0	Data Type: Bit String 0=Disable 1=Enable Allows you to select how the I/O signals are processed.
Status Options STATUS_OPTS	14		OOS	3=Propagate Failure Forward 8=Uncertain in MAN mode	All bits:0	Data Type: Bit String 0=Disable 1=Enable Options the user may select for the block processing of status.
DI Channel CHANNEL	15		OOS	0=undefined 23=Valve Position or Pressure (Discrete) 24= PV > 97% 25= PV < 3% 26=PV Below LO LO limit 27=PV Below LO limit 28=PV Above HI limit 29=PV Above HI HI limit 30=PV Within Proximity of LO LO 31=PV Within Proximity of LO 32=PV within Proximity of HI 33=PV within Proximity of HI HI	0=Undefined	Data Type: Unsigned16 Defines the functionality of the discrete input. See I/O Selection for details. Refer to table 4-77.
Process Value Filter Time PV_FTIME	16		ALL	Positive	0	Data Type: Float Time that FIELD_VAL_D must be in a new state, before the change is reflected to PV_D and OUT_D.
Field Value Discrete FIELD_VAL_D	17	RO			0	Data Type: DS-66 Raw value of the field device discrete input, with a status reflecting the transducer condition.
Update Event UPDATE_EVT	18					
UNACKNOWLEDGED	18.1	RW	N/A	0=Undefined 1=Acknowledged 2=Unacknowledged	0=Undefined	
UPDATE_STATE	18.2	RO	N/A	0=Undefined 1=Update Reported 2=Updated not reported	0=Undefined	Data Type: DS-73 This alert is generated by any change to the static data.
TIME_STAMP	18.3	RO	N/A		0	
STATIC_REVISION	18.4	RO	N/A		0	
RELATIVE_INDEX	18.5	RO	N/A		0	

-Continued-

Table 4-81. Discrete Input Function Block Parameter Definitions (Continued)

Label PARAMETER_NAME	Index Number	RO / RW	Block Mode	Range	Initial Value	Description
Block Alarm BLOCK_ALM	19				Dynamic	Data Type: DS-72 The block alarm is used for all configuration, hardware, connection failure, or system problems in the block. The cause of the alert is entered in the subcode field. The first alert to become active will set the active status in the status parameter. As soon as the unreported status is cleared by the alert reporting procedure, and other block alert may be reported without clearing the active status, if the subcode has changed.
UNACKNOWLEDGED	19.1	RW	N/A	0=Undefined 1=Acknowledged 2=Unacknowledged		
ALARM_STATE	19.2	RO	N/A	0=Undefined 1=Clear reported 2=Clear not reported 3=Active reported 4=Active not reported		
TIME_STAMP	19.3	RO	N/A			
SUBCODE	19.4	RO	N/A			
VALUE	19.5	RO				
Alarm Summary ALARM_SUM	20			0: Discrete alarm 7: Block Alarm		Data Type: DS-74 The current alert status, unacknowledged states, unreported states, and disabled states of the alarms associated with the function block. 0=clear reported 0=acknowledged 0=reported 0=enabled
CURRENT	20.1	RO			All bits: 0	
UNACKNOWLEDGED	20.2	RO			All bits: 0	
UNREPORTED	20.3	RO			All bits: 0	
DISABLED	20.4	RW			All bits: 0	
Acknowledge Option ACK_OPTION	21		ALL	0: Discrete 1: Block Alarm	All bits: 0	Data Type: Bit String 0=Disable 1=Enable Used to set auto acknowledgement of alarms
Discrete Priority DISC_PRI	22		ALL	0 to 15	0	Data Type: Unsigned8 Priority of the discrete alarm.
Discrete Limit DISC_LIM	23		ALL	PV_STATE	0	Data Type: Unsigned8 State of discrete input which will generate an alarm.
Discrete Alarm DISC_ALM	24					Data Type: DS-72 The discrete alarm is used for indication of a state change in selected discrete channel.
UNACKNOWLEDGED	24.1	RW	N/A	0=Undefined 1=Acknowledged 2=Unacknowledged		
ALARM_STATE	24.2	RO	N/A	0=Undefined 1=Clear reported 2=Clear not reported 3=Active reported 4=Active not reported		
TIME_STAMP	24.3	RO	N/A			
SUBCODE	24.4	RO	N/A			
VALUE	24.5	RO	N/A			

## View Lists

View lists allow the values of a set of parameters to be accessed at the same time. Views 1 and 2 contain operating parameters and are defined by the Fieldbus Foundation. View 3 contains dynamic parameters and View 4 contains static parameters with configuration and maintenance information. Views 3 and 4 are defined by the manufacturer.

Table 4-82. DI Function Block, View 1

Index Number	Parameter
1	ST_REV
5.1	MODE_BLK.TARGET_MODE
5.2	MODE_BLK.ACTUAL_MODE
5.3	MODE_BLK.PERMITTED_MODE
5.4	MODE_BLK.NORMAL_MODE
6	BLOCK_ERR
7	PV_D
8	OUT_D
17	FIELD_VAL_D
20.1	ALARM_SUM.CURRENT
20.2	ALARM_SUM.UNACKNOWLEDGED
20.3	ALARM_SUM.UNREPORTED
20.4	ALARM_SUM.DISABLED

Table 4-83. DI Function Block, View 2

Index Number	Parameter
1	ST_REV
10	XD_STATE
11	OUT_STATE
12.1	GRANT_DENY.GRANT
12.2	GRANT_DENY.DENY

Table 4-84. DI Function Block, View 3

Index Number	Parameter
1	ST_REV
5.1	MODE_BLK.TARGET_MODE
5.2	MODE_BLK.ACTUAL_MODE
5.3	MODE_BLK.PERMITTED_MODE
5.4	MODE_BLK.NORMAL_MODE
6	BLOCK_ERR
7	PV_D
8	OUT_D
17	FIELD_VAL_D
20.1	ALARM_SUM.CURRENT
20.2	ALARM_SUM.UNACKNOWLEDGED
20.3	ALARM_SUM.UNREPORTED
20.4	ALARM_SUM.DISABLED

Table 4-85. DI Function Block, View 4

Index Number	Parameter
1	ST_REV
3	STRATEGY
4	ALERT_KEY
13	IO_OPTS
14	STATUS_OPTS
15	CHANNEL
16	PV_FTIME
21	ACK_OPTION
22	DISC_PRI
23	DISC_LIM

# Field Communicator Menu Structure

## DISCRETE INPUT FUNCTION BLOCK

### Quick Config

Alert Key  
Process Value Discrete: Status  
Process Value Discrete: Value

### Common Config

Alert Key  
Discrete Limit  
I/O Options  
Block Mode: Target  
Block Mode: Actual  
Block Mode: Permitted  
Block Mode: Normal  
Process Value Filter Time

### Advanced Config

DI Channel  
Output State  
Simulate Discrete: Simulate Status  
Simulate Discrete: Simulate Value  
Simulate Discrete: Transducer Status  
Simulate Discrete: Transducer Value  
Simulate Discrete: Simulate En/Disable  
Static Revision  
Status Options  
Transducer State

### Connectors

Output Discrete: Status  
Output Discrete: Value  
Strategy

### Online

Block Error  
Field Value Discrete: Status  
Field Value Discrete: Value  
Block Mode: Target  
Block Mode: Actual  
Block Mode: Permitted  
Block Mode: Normal  
Output Discrete: Status  
Output Discrete: Value  
Process Value Discrete: Status  
Process Value Discrete: Value

### Status

Block Error

### Other

Tag Description  
Grant Deny: Grant  
Grant Deny: Deny  
Update Event: Unacknowledged  
Update Event: Update State  
Update Event: Time Stamp  
Update Event: Static Rev  
Update Event: Relative Index  
Block Alarm: Unacknowledged  
Block Alarm: Alarm State  
Block Alarm: Time Stamp  
Block Alarm: Subcode  
Block Alarm: Value  
Alarm Summary: Current  
Alarm Summary: Unacknowledged  
Alarm Summary: Unreported  
Alarm Summary: Disabled  
Acknowledge Option  
Discrete Alarm: Unacknowledged  
Discrete Alarm: Alarm State  
Discrete Alarm: Time Stamp  
Discrete Alarm: Subcode  
Discrete Alarm: Discrete Value

### All

Characteristics  
Static Revision  
Tag Description  
Strategy  
Alert Key  
Block Mode: Target  
Block Mode: Actual  
Block Mode: Permitted  
Block Mode: Normal  
Block Error  
Process Value Discrete: Status  
Process Value Discrete: Value  
Output Discrete: Status  
Output Discrete: Value  
Simulate Discrete: Simulate Status  
Simulate Discrete: Simulate Value  
Simulate Discrete: Transducer Status  
Simulate Discrete: Transducer Value  
Simulate Discrete: Simulate En/Disable  
Transducer State  
Output State  
Grant Deny: Grant  
Grant Deny: Deny  
I/O Options  
Status Options  
DI Channel  
Process Value Filter Time  
Field Value Discrete: Status  
Field Value Discrete: Value  
Update Event: Unacknowledged  
Update Event: Update State  
Update Event: Time Stamp  
Update Event: Static Rev  
Update Event: Relative Index  
Block Alarm: Unacknowledged  
Block Alarm: Alarm State  
Block Alarm: Time Stamp  
Block Alarm: Subcode  
Block Alarm: Value  
Alarm Summary: Current  
Alarm Summary: Unacknowledged  
Alarm Summary: Unreported  
Alarm Summary: Disabled  
Acknowledge Option  
Discrete Priority  
Discrete Limit  
Discrete Alarm: Unacknowledged  
Discrete Alarm: Alarm State  
Discrete Alarm: Time Stamp  
Discrete Alarm: Subcode  
Discrete Alarm: Discrete Value



## Section 5 Calibration

### Calibration Overview

When a DVC6200f digital valve controller is ordered as part of a control valve assembly, the factory mounts the digital valve controller on the actuator and connects the necessary tubing, then sets up and calibrates the controller.

For digital valve controllers that are ordered separately, recalibration of the pressure sensors generally is unnecessary. However, after mounting on an actuator, perform the initial setup then calibrate travel by selecting *Configure / Setup > Calibration > Auto Calibration*. For more detailed calibration information, refer to the following calibration procedures.

### Calibration

Field Communicator	TB > Configure/Setup > Calibration
--------------------	------------------------------------

- **Auto Calibration**—This procedure automatically calibrates the travel. The calibration procedure uses the valve and actuator stops as the 0% and 100% calibration points. See page 190.
- **Manual Calibration**—This procedure permits manual calibration of the travel. This calibration procedure allows you to determine the 0% and 100% calibration points. See page 190.
- **Relay**—This procedure permits adjustment of the pneumatic relay. See page 191.
- **Supply Pressure**—This procedure permits calibrating the supply pressure sensor. Normally the sensor is calibrated at the factory and should not need calibration. See page 192.
- **Pressure A**— This procedure permits calibrating the pressure A sensor. Normally the sensor is calibrated at the factory and should not need calibration. See page 193.
- **Pressure B**—This procedure permits calibrating the pressure B sensor. Normally the sensor is calibrated at the factory and should not need calibration. See page 193.

---

#### Note

The Instrument Mode must be Out Of Service and the Protection set to None before the instrument can be calibrated.

If you are operating in burst mode, we recommend that you disable burst before continuing with calibration. Once calibration is complete, burst mode may then be turned back on.

---

#### WARNING

**During calibration the valve will move full stroke. To avoid personal injury and property damage caused by the release of pressure or process fluid, isolate the valve from the process and equalize pressure on both sides of the valve or bleed off the process fluid.**

---

If a double-acting relay is used, you will be prompted to run the relay adjustment when auto or manual calibration is selected. Select Yes to adjust the relay, select No to proceed with calibration. For additional information, refer to Relay Adjustment in this section.

---

**Note**

Relay Adjustment is only available for the double-acting relay (Relay A).

---

## Auto Calibration

Field Communicator	TB > Configure/Setup > Calibration > Auto Calibration
--------------------	---

Follow the prompts on the Field Communicator display to automatically calibrate travel.

1. The auto calibration procedure is automatic. It is completed when the *Calibration* menu appears.

During calibration, the instrument seeks the high and low end points and the minor loop feedback (MLFB) and output bias. By searching for the end points, the instrument establishes the limits of physical travel, i.e. the actual travel 0 and 100% positions. This also determines how far the relay beam swings to calibrate the sensitivity of the MLFB sensor.

2. Place the instrument In Service and verify that the travel properly tracks the current source.

## Manual Calibration

Field Communicator	TB > Configure/Setup > Calibration > Manual Calibration
--------------------	---

---

**Note**

0% Travel = Valve Closed ; 100% Travel = Valve Open

---

1. From the adjustment menu, select the direction and size of change required to set the travel at 0% (move the valve to close). Selecting large, medium, and small adjustments causes changes of approximately 10.0%, 1.0%, and 0.1%, respectively, to the travel feedback movement. Selecting Next will implement the adjustment.

If another adjustment is required, repeat step 1. Otherwise, select Done and go to step 2.

2. From the adjustment menu, select the direction and size of change required to set the travel to 100% (move the valve to open).

If another adjustment is required, repeat step 2. Otherwise, select Done and go to step 3.

3. Enter the name of the person performing the calibration procedure.
4. Enter the location of the calibration procedure.
5. Enter the date of the calibration procedure.
6. Place the Transducer Block Mode in Manual and verify that the travel properly tracks the setpoint changes.



## Relay

Field Communicator	TB > Configure/Setup > Calibration > Relay
--------------------	--

Follow the prompts on the Field Communicator display to check relay adjustment. Replace the digital valve controller cover when finished.

**Note**

Relay B and C are not user-adjustable.

### Double-Acting Relay

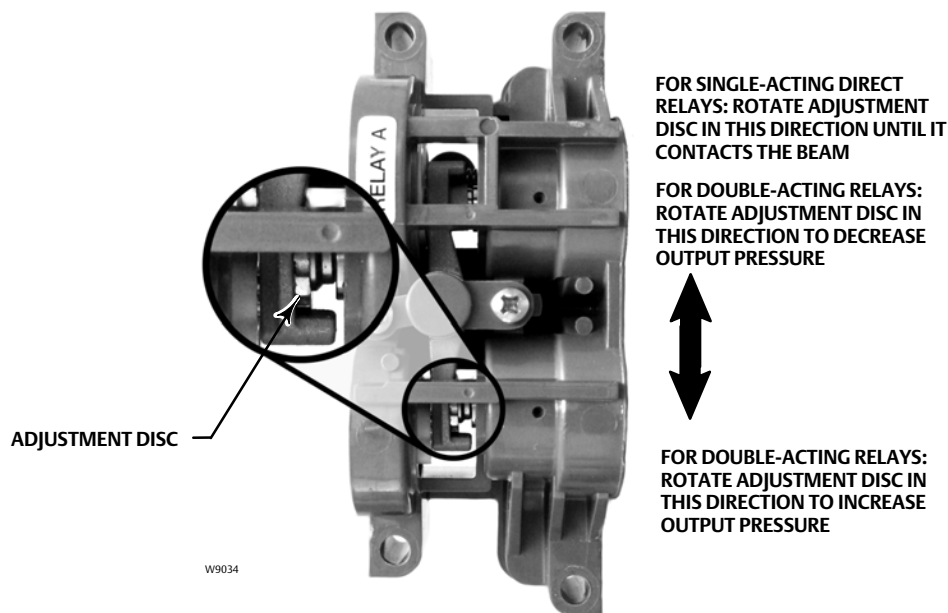
The double-acting relay is designated by “Relay A” on a label affixed to the relay itself. For double-acting actuators, the valve must be near mid-travel to properly adjust the relay. The Field Communicator will automatically position the valve when *Relay* is selected.

### CAUTION

Care should be taken during relay adjustment as the adjustment disc may disengage if rotated too far.

Rotate the adjustment disc, shown in figure 5-1, until the output pressure displayed on the Field Communicator is between 50 and 70% of supply pressure. This adjustment is very sensitive. Be sure to allow the pressure reading to stabilize before making another adjustment (stabilization may take up to 30 seconds or more for large actuators).

Figure 5-1. Relay A Adjustment (Shroud Removed for Clarity)



If the low bleed relay option has been ordered stabilization may take approximately two minutes longer than the standard relay.

Relay A may also be adjusted for use in single-acting- direct applications. Rotate the adjustment disc as shown in figure 5-1 for single-acting direct operation.

## Single-Acting Relays

### **⚠ WARNING**

**For instrument level PD only:**

**If the unused port is monitoring pressure, ensure that the pressure source conforms to ISA Standard 7.0.01 and does not exceed the pressure supplied to the instrument.**

**Failure to do so could result in personal injury or property damage caused by loss of process control.**

### Single-Acting Direct Relay

The single-acting direct relay is designated by “Relay C” on a label affixed to the relay itself. Relay C requires no adjustment.

### Single-Acting Reverse Relay

The single-acting reverse relay is designated by “Relay B” on a label affixed to the relay itself. Relay B is calibrated at the factory and requires no further adjustment.

## Supply Pressure Sensor

Field Communicator	TB > Configure/Setup > Calibration > Supply Pressure
--------------------	--

### **Note**

The pressure sensor is calibrated at the factory and should not require calibration.

To calibrate the supply pressure sensor, connect an external reference gauge to the output side of the supply regulator. The gauge should be capable of measuring maximum instrument supply pressure. Select Follow the prompts on the Field Communicator display to calibrate the instrument's supply pressure sensor.

1. Select a) Zero Only, or b) Zero and Span (gauge required).
  - a. If Zero Only calibration is selected, adjust the supply pressure regulator to remove supply pressure from the instrument. Press OK. Once calibration is complete, go to step 5.
  - b. If Zero and Span calibration is selected, adjust the supply pressure regulator to remove supply pressure from the instrument. Press OK. Adjust the supply regulator to the maximum instrument supply pressure. Press OK. Proceed with step 2.

2. The following message appears:

Use the Increase and Decrease selections until the displayed pressure matches the instrument supply pressure.

Press OK when you have read this message.

3. The value of the pressure appears on the display.
4. From the adjustment menu, select the direction and size of adjustment to the displayed value. Selecting large, medium, and small adjustments causes changes of approximately 3.0 psi/0.207 bar/20.7 kPa, 0.30 psi/0.0207 bar/2.07 kPa, and 0.03 psi/0.00207 bar/0.207 kPa, respectively. Adjust the displayed value until it matches the supply pressure, select Done and go to step 5.
5. Place the instrument In Service and verify that the displayed pressure matches the measured supply pressure.

## Pressure A or B Sensor

Field Communicator	TB > Configure/Setup > Calibration > Pressure A
Field Communicator	TB > Configure/Setup > Calibration > Pressure B

To calibrate the output pressure sensor, connect an external reference gauge to the output being calibrated. The gauge should be capable of measuring maximum instrument supply pressure. Select . Follow the prompts on the Field Communicator display to calibrate the instrument's output pressure sensor.

1. Adjust the supply pressure regulator to the maximum instrument supply pressure. Press OK.
2. The instrument reduces the output pressure to 0. The following message appears.

Use the Increase and Decrease selections until the displayed pressure matches the output x pressure.

Press OK when you have read the message.

3. The value of the output pressure appears on the display. Press OK to display the adjustment menu.
4. From the adjustment menu, select the direction and size of adjustment to the displayed value. Selecting large, medium, and small adjustments causes changes of approximately 3.0 psi/0.207 bar/20.7 kPa, 0.30 psi/0.0207 bar/2.07 kPa, and 0.03 psi/0.00207 bar/0.207 kPa, respectively. If the displayed value does not match the output pressure, press OK, then repeat this step (step 4) to further adjust the displayed value. When the displayed value matches the output pressure, select Done and go to step 5.

5. The instrument sets the output pressure to full supply. The following message appears.

Use the Increase and Decrease selections until the displayed pressure matches the output x pressure.

Press OK when you have read the message.

6. The value of the output pressure appears on the display. Press OK to display the adjustment menu.
7. From the adjustment menu, select the direction and size of adjustment to the displayed value. If the displayed value does not match the output pressure, press OK, then repeat this step (step 7) to further adjust the displayed value. When the displayed value matches the output pressure, select Done and go to step 8.
8. Place the instrument In Service and verify that the displayed pressure matches the measured output pressure.

## Section 6 Viewing Device Variables and Diagnostics

### View Lists

View Lists allow the values of a set of parameters to be accessed at the same time. View lists are available for the resource and transducer blocks, and the function blocks.

Resource Block—tables 4-4 through 4-7	OS Function Block—tables 4-49 through 4-52
Transducer Block—tables 4-15 through 4-23	AI Function Block—tables 4-58 through 4-61
AO Function Block—tables 4-26 through 4-29	MAI Function Block—tables 4-65 through 4-68
PID Function Block—tables 4-33 through 4-37	DO Function Block—tables 4-73 through 4-76
IS Function Block—tables 4-41 through 4-44	DI Function Block—tables 4-82 through 4-85

---

#### Note

Views Lists are used by hosts for efficient monitoring of multiple parameters. Normally you will not be aware of view list usage, as they are hidden by the host software.

---

### Resource Block

This section contains information on the DVC6200f digital valve controller resource block. The resource block defines the physical resources of the device. The resource block also handles functionality that is common across multiple blocks. The block has no linkable inputs or outputs.

Table 6-1. Resource Block BLOCK\_ERR Conditions

Condition Number	Condition Name and Description
0	Other - Set if a device initialization error occurred.
1	Block Configuration Error - Set if FEATURE_SEL, CYCLE_SEL, or CYCLE_TYPE is set incorrectly.
2	Link Configuration Error - N/A
3	Simulate Active - Indicates that the simulation jumper is in place on the aux terminals. This is not an indication that the I/O blocks are using simulation data. See AO block parameter SIMULATE [10] and DO block parameter SIMULATE_D [10].
4	Local Override - N/A
5	Device Fault State - N/A
6	Device Needs Maintenance Soon - Indicates a Maintenance PlantWeb Alert condition is active.
7	Input failure/process variable had Bad status - N/A
8	Output failure - N/A
9	Memory failure - Indicates a pending Flash or NVM failure.
10	Lost Static Data - Indicates failure of the memory containing static parameters
11	Lost NV Data - Indicates failure of the memory containing non-volatile parameters.
12	Readback Check Failed - NA
13	Device Needs Maintenance Now - Indicates a Failed PlantWeb Alert condition is active.
14	Power Up - Indicates the device has been powered up and the Resource Block is <u>not</u> running normally.
15	Out of Service (MSB) - The resource block actual mode is Out of Service.

## Device Diagnostics

### Resource Block Error

(RB > Device Diagnostics > Resource Block Error)

Field Communicator	RB > Device Diagnostics > Resource Block Error
--------------------	--

Block Error (BLOCK\_ERR [6]) indicates an error status associated with hardware or software for the resource block.

Table 6-1 lists conditions reported in the BLOCK\_ERR [6] parameter. Conditions in *italics* are not applicable for the resource block and are provided only for your reference.

### Device State

Field Communicator	RB > Device Diagnostics > Device State
--------------------	--

Device State (RS\_STATE [7]) indicates the state of the function blocks. Four states are possible:

- **Initialization**—The instrument enters this state upon restart or failure. The function blocks are in the IMan mode. During the initialization state, all unreported function block alarms are automatically confirmed and acknowledged. Once the instrument is considered operational, block execution is scheduled and the instrument state moves to Online.
- **Online**—The instrument will be in this state if it is operational. The function blocks are initially in the Auto mode, but can be changed to a higher level mode.
- **Standby**—The instrument enters this state if the resource block mode is Out of Service (OOS). In this state all function block modes are forced to Out of Service. The transducer block mode is not affected. When the resource block mode is changed to Auto, the instrument state moves to Online.
- **Failure**— The instrument moves to this state whenever a hardware or memory failure is detected which would prevent reliable operation. All function blocks and the transducer block modes are Out of Service.

### Write Lock

Field Communicator	RB > Device Diagnostics > Write Lock
--------------------	--------------------------------------

- Write Alarm: Alarm State
- Write Lock

Write Lock (WRITE\_LOCK [34]) determines if writes are permissible to other device parameters. The Soft Write Lock feature must be selected to be able to use Write Lock (see Selecting Features). When Write Lock is set to Locked, no writes are permitted to any parameters within the device except to set Write Lock to Not Locked. When locked, the block functions normally, updating inputs and outputs and executing algorithms. When Write Lock is set to Not Locked, the Write Alarm alert is active.

## Block Alarm

Field Communicator	RB > Device Diagnostics > Block Alarm
--------------------	---------------------------------------

The Block Alarm (BLOCK\_ALM [36]) is used for all configuration, hardware, connection failure or system problems in the block.

- Block Alarm: Alarm State

Block Alarm: Alarm State (BLOCK\_ALM.ALARM\_STATE [36.2]) indicates the state of the Block Alarm. Five states are possible:

- Undefined
- Clear reported
- Clear not reported
- Active reported
- Active not reported

- Block Alarm: Unacknowledged

Block Alarm: Unacknowledged (BLOCK\_ALARM.UNACKNOWLEDGED [36.1])

- 1 = Undefined
- 2 = Acknowledged
- 3 = Unacknowledged

## Maintenance

Field Communicator	RB > Device Diagnostics > Maintenance
--------------------	---------------------------------------

- Restart Actions

### **⚠ WARNING**

**Restarting the instrument may cause loss of process control. To avoid personal injury and property damage caused by the release of pressure of process fluid, isolate the valve from the process and equalize pressure on both sides of the valve or bleed off the process fluid.**

You can restart the instrument to reset parameters, links, etc. within the instrument. However, due to the effect that a restart can have on the instrument, and therefore the control loop, restarting the instrument should be used cautiously and only as a last measure. The following procedure describes how to use Restart Options to restart the instrument with a Field Communicator. You can also restart the instrument using ValveLink software or from a host system using the Restart method included with the device description (DD) software.

You can restart the instrument any time it is connected to an active segment.

Field Communicator	RB > Device Diagnostics > Maintenance > Restart Actions
--------------------	---

1. Restart informs you about what can happen when an instrument restart is performed. Select *Yes* to continue, or *No* to abort without restarting.
2. Select the desired restart action or select *EXIT* to exit Restart. Select *Help* (not the Help button) to get information on restart actions.

There are two different restarts: Restart Processor, and Restart with Defaults:

When selecting either of these options, Restart informs you of the consequences of this action and asks if you want to continue. Select *Yes* to perform the restart action, select *No* to select another action or exit. Restart informs you when the restart is completed. You must acknowledge the message to continue.

*Restart Processor*—Performing a Restart Processor has the same effect as removing power from the instrument and re-applying power. Configuration and calibration do not change.

*Restart with Defaults*—Performing a Restart with Defaults should be done with care. This restart resets most of the static and non-volatile parameters for all of the blocks in the instrument to their initial value, as listed in table 4-2. After a Restart with Defaults, you should place the instrument in service (the transducer block mode to auto) and run Device Setup and download the instrument configuration from the control system to properly setup the instrument. You also may need to re-establish communication links and trends.

- **Fault State**—Fault State (FAULT\_STATE [28]), when active, indicates that the resource block is currently forcing the output block to perform its FSTATE action. Selecting Fault State enables the ability to manually set and clear the fault state.
- **Set Fault State**—Selecting Set Fault State (SET\_FSTATE [29]) changes the Fault State (FAULT\_STATE [28]) to Active. Setting Set FState (SET\_FSTATE [29]) to SET manually places the instrument in the fault state.
- **Clear Fault State**—Setting Clear FState (CLR\_FSTATE [30]) to CLEAR clears the device fault state, if no faults are currently active. You can test the actions the output blocks will perform by manually setting fault state active.

## Device Variables

### Instrument

Field Communicator	RB > Device Variables > Instrument
--------------------	------------------------------------

The following parameters are contained in the the Instrument menu of the resource block.

#### Identification

- **Device ID**—The 32 character Device ID (DEVICE\_ID [54]).
- **Electronics Serial Number**—The Electronics Serial Number (ELECTRONICS\_SN [49]) set at the factory.
- **Factory Serial Number**—The Factory Serial Number (FACTORY\_SN [50]) is the instrument serial number set at the factory.
- **Field Serial Number**—The Field Serial Number (FIELD\_SN [51]) is the serial number of the valve and actuator on which the instrument is mounted.
- **Tag Description**—The Tag Description (TAG\_DESC [2]) is unique description of each block within the digital valve controller, used to describe the intended application for the block. Follow the prompts on the Field Communicator to enter an up to 32 character description for the block in the Tag Description field. (This parameter is read/write.)
- **Strategy**—Strategy (STRATEGY [3]) permits strategic grouping of blocks so the operator can identify where the block is located. The blocks may be grouped by plant area, plant equipment, etc. Enter a value between 0 and 65535 in the Strategy field.



- **Manufacturer**—Manufacturer Identification (MANUFAC\_ID [10]) identifies the manufacturer of the instrument. It is used by the host system to locate the DD file for the device. For Fisher the Manufacturer ID is 0x5100.
- **Device Type**—Device Type (DEV\_TYPE [11]) identifies the type of device. It is used by the host system to locate the DD file for the device. For a DVC6200f digital valve controller with Standard Control the device type is 0x4602.

## Version

- **Device Revision**—Device Revision (DEV\_REV [12]) identifies the device revision number. It is used by the host system to locate the DD file for the device.
- **Firmware Revision**—Firmware Revision (FIRMWARE\_REV\_ALL [47.6]) shows all device firmware revisions currently in operation.
- **Standby Firmware Revision**—Standby Firmware Revision (STBY\_FIRMWARE\_REV\_ALL [55.6]) shows all device firmware revisions currently in standby.
- **Hardware Revision**—Hardware Revision (HARDWARE\_REV[48]) identifies the electronic hardware revision.
- **ITK Version**—ITK Version (ITK\_VER [41]) identifies the major version of the Interoperability Tester used by the Fieldbus Foundation in certifying the device as interoperable. This device revision meets the requirements of version 5.

## Options

Field Communicator	RB > Device Variables > Options
--------------------	---------------------------------

The following parameters are contained in the the Options menu of the resource block.

- **Diagnostic Options**—Diagnostic Options (DIAG\_OPTIONS [45]) shows the diagnostic options available in the instrument.
- **Function Block Options**—Function Block Options (FB\_OPTIONS [44]) shows which function blocks are licenced and enabled in the instrument.
- **Miscellaneous Options**—Miscellaneous Options (MISC\_OPTIONS [46]) indicates which miscellaneous licensing options are enabled.
- **Features Available**—Features (FEATURES [17]) shows the supported resource block options.

## DD Information

Field Communicator	RB > Device Variables > DD Information
--------------------	--

DD Information contains information about the Device Description (DD).

## Transducer Block

This section contains information on the DVC6200f digital valve controller transducer block. Descriptions of all transducer block parameters are included. The transducer block decouples function blocks from the local output functions required to command output hardware. The transducer block typically contains setup and calibration information.

## Device Diagnostics

### Active PlantWeb Alerts

Field Communicator	TB > Device Diagnostic > Active PlantWeb Alerts
--------------------	---

To view the active PlantWeb alerts select Active PlantWeb Alerts.

### Alert Conditions

Field Communicator	TB > Device Diagnostic > Active Conditions
--------------------	--

Instrument Alert Conditions, when enabled, detect many operational and performance issues that may be of interest. The alert conditions for each group of alerts are listed below. If there are no alerts active for a particular group the group will not be displayed on the Field Communicator.

- **Electronics**—if an electronics alert is active it will appear under ELECT ALERTS

#### Drive Current

*Drive Current Alert*—This alert is active when the difference between the expected Drive Current and the actual Drive Current has exceeded the Drive Current Alert Time.

#### Drive Signal

*Drive Signal Alert*—The Drive Signal Alert is active if one of the following conditions exist:

Where Zero Power Condition is defined as closed:

Drive Signal < 10% and Calibrated Travel > 3%

Drive Signal > 90% and Calibrated Travel < 97%

Where Zero Power Condition is defined as open:

Drive Signal < 10% and Calibrated Travel < 97%

Drive Signal > 90% and Calibrated Travel > 3%

#### Processor Impaired

*Program Memory Alert*—This alert is active if a pending flash or NVM failure is present.

*Static Memory Alert*—This alert is active when there is a failure of the FRAM memory where static parameters are stored.

*Processor Alert*—This alert is active when there is a failure of the main processor.

*I/O Processor Alert*—This alert is active when there is a failure of the I/O processor.

- **Configuration**—If a configuration alert is active it will appear under CONFIG ALERTS

#### Output Block Timeout

*Output Block Timeout Alert*—This alert is active if the output block has not executed for a period of time longer than the configured timeout.

### Blocks Set to Default

*Blocks Set to Default Alert*—This alert is active if the resource block has undergone Restart with Defaults. This will stay active until the transducer block is changed from Out of Service.

- **Sensor**—If a configuration alert is active it will appear under SENSOR ALERTS

### Travel Sensor

*Travel Sensor*—This alert is active if the Travel Sensor reading is outside the functional range, or the sensor becomes disconnected.

### Pressure Sensors

*Pressure A Sensor Alert*—This alert is active if the Port A Pressure Sensor reading is outside the functional range.

*Pressure B Sensor Alert*—This alert is active if the Port B Pressure Sensor reading is outside the functional range.

*Supply Pressure Sensor Alert*—This alert is active if the Pressure Sensor reading is outside the functional range.

### Pressure Fallback

*Pressure Fallback Alert*—This alert is active if a travel sensor failure or a gross travel deviation has resulted in fallback to pressure control.

### Temperature Sensor

*Temperature Sensor Alert*—This alert is active if the temperature sensor reading is outside the functional range of the sensor.

- **Environment**—If an environment alert is active it will appear under ENVIRO ALERTS

### Supply Pressure

*Supply Pressure Hi Alert*—This alert is active if the supply pressure exceeds the Supply Pressure Hi Alert.

*Supply Pressure Lo Alert*—This alert is active if the supply pressure exceeds the Supply Pressure Lo Alert.

### Temperature Limit

*Temperature Hi Alert*—This alert is active if the temperature is greater than the Temperature Hi Alert Point.

*Temperature Lo Alert*—This alert is active if the temperature is greater than the Temperature Lo Alert Point.

- **Travel**—If a travel alert is active it will appear under TRAVEL ALERTS

### Travel Deviation

*Travel Deviation Alert*—This alert is active if the Travel deviation exceeds the Travel Deviation Alert Point by more than the Travel Deviation Time.

### Travel Limit

*Travel Limit Hi Hi Alert*—This alert is active if Travel exceeds the Travel Limit Hi Hi Alert point.

*Travel Limit Lo Lo Alert*—This alert is active if Travel is lower than the Travel Limit Lo Lo Alert point.

### Travel Hi/Lo

*Travel Limit Hi Alert*—This alert is active if Travel exceeds the Travel Limit Hi Alert point.

*Travel Limit Lo Alert*—This alert is active if Travel is lower than the Travel Limit Lo Alert point.

- **Proximity**—If a proximity alert is active it will appear under PROX ALERTS

### Travel Open

*Travel Open Alert*—This alert is active if the travel is greater than the travel open alert point.

### Travel Closed

*Travel Closed Alert*—This alert is active if the travel is greater than the travel closed alert point.

### Proximity

*Proximity Hi Hi Alert*—This alert is active if the Travel is within the detection band set by the Travel Hi Hi Alert Point and the Travel Hi Hi Deadband.

*Proximity Hi Alert*—This alert is active if the Travel is within the detection band set by the Travel Hi Alert Point and the Travel Hi Deadband.

*Proximity Lo Alert*—This alert is active if the Travel is within the detection band set by the Travel Lo Alert Point and the Travel Lo Deadband.

*Proximity Lo Lo Alert*—This alert is active if the Travel is within the detection band set by the Travel Lo Lo Alert Point and the Travel Lo Lo Deadband.

- **Travel History**—If a travel history alert is active it will appear under TVL HIST ALERTS

### Cycle Counter

*Cycle Counter Alert*—This alert is active if the Cycle Counter exceeds the Cycle Count Alert Point.

### Travel Accumulator

*Travel Accumulator Alert*—This alert is active if the Travel Accumulator exceeds the Travel Accumulator Alert Point.

- **Performance**—if a performance alert is active it will appear under PERF ALERTS

### Performance Critical

*Performance Critical Alert*—This alert is active if the instrument is no longer able to control the valve or performance has been dramatically reduced.

*Performance Reduced Alert*—This alert is active if the instrument has detected a reduction in performance.

*Performance Information Alert*—This alert is active if the instrument has detected a condition that may pertain to control performance.

## Status

Field Communicator	TB > Device Diagnostic > Status
--------------------	---------------------------------

### Self Test Status

*Integrator Suspended*—The integrator function is temporarily suspended. The integrator is suspended if any of the following conditions are met:

- The setpoint and actual travel are greater than 98% or less than 2%.
- The set point is in cutoff
- The Transducer block is Out of Service (OOS)

*Integrator Limited Lo*—Indicates the integrator reached its limit and cannot move the valve any further. High valve friction may cause this situation.

*Integrator Limited Hi*—Indicates the integrator reached its limit and cannot move the valve any further. High valve friction may cause this situation.

*Travel Sensor Span Error*—Indicates that span between the endpoints of travel are not far enough apart. This error is reported during automatic calibration.

*MLFB Error*—Indicates that the Minor Loop Feedback sensor gave a non-valid value during automatic calibration.

*Travel Sensor Hi Error*—Indicates the travel sensor has reported a travel position that is significantly above the normal operating range, and has failed.

*Travel Sensor Lo Error*—Indicates the travel sensor has reported a travel position that is significantly below the normal operating range, and has failed.

*Pressure B Sensor Failure*—Indicates the pressure sensor is reporting a pressure that is significantly outside of the normal operating pressure, and has failed.

*Pressure A Sensor Failure*—Indicates the pressure sensor is reporting a pressure that is significantly outside of the normal operating pressure, and has failed.

*Supply Sensor Failure*—Indicates the pressure sensor is reporting a pressure that is significantly outside of the normal operating pressure, and has failed.

*IOP Failure*—Indicates the I/O processor has failed.

*Drive Current Alert*—Indicates that the Drive Current has exceeded the Drive Current Alert Point for more than the Drive Current Alert Time.

*Simulate Jumper ON*—Indicates the simulate jumper is connected to the DVC6200f between the two AUX terminals.

## Block Error

Table 6-2 lists conditions reported in the BLOCK\_ERR [6] and XD\_ERROR [11] parameters. Conditions in *italics* are not applicable for the transducer block and are provided only for your reference.

Table 6-2. Transducer Block BLOCK\_ERR and XD\_ERROR Conditions

Condition Number	Condition Name and Description
0	<i>Other - (N/A)</i>
1	<b>Block Configuration Error</b> - Indicates that one of the following parameters have been configured out of the proper range: 15, 16, 47.1, 47.2, 46.3, 46.5, 42.7, 42.8.
2	<i>Link Configuration Error - (N/A)</i>
3	<b>Simulate Active</b> - Indicates that alerts are being simulated. This is not an indication that the I/O blocks are using simulation data. See AO block parameter SIMULATE [10] and DO block parameter SIMULATE_D [10].
4	<i>Local Override - (N/A)</i>
5	<i>Device Fault State - (NA)</i>
6	<i>Maintenance Needed Soon - (N/A)</i>
7	<i>Input failure/process variable has Bad status - (N/A)</i>
8	<i>Output failure - (N/A)</i>
9	<i>Memory failure - (N/A)</i>
10	<b>Lost Static Data</b> - Indicates that manufacturing functional or thermal tests were incomplete
11	<i>Lost NV Data - (N/A)</i>
12	<i>Readback Check Failed - (N/A)</i>
13	<b>Device Needs Maintenance Now</b> - Indicates that manufacturing functional or thermal tests were incomplete
14	<i>Power Up - (N/A)</i>
15	<b>Out of Service</b> - Indicates Out of Service Mode.

## Device Record

Field Communicator	TB > Device Diagnostic > Device Record
--------------------	--

The following parameters are contained in the Device Record menu of the transducer block.

- **Maximum Recorded Temperature**—Maximum Recorded Temperature (TEMP\_MAX [86.1]) shows the maximum temperature the instrument has experienced since installation.
- **Maximum Recorded Temperature Time**—Maximum Recorded Temperature Time (TEMP\_MAX\_TIME [86.2]) shows the date and time when the Temperature Maximum occurred.
- **Minimum Recorded Temperature**—Minimum Recorded Temperature (TEMP\_MIN [86.3]) shows the minimum temperature the instrument has experienced since installation.
- **Minimum Recorded Temperature Time**—Minimum Recorded Temperature Time (TEMP\_MIN\_TIME [86.4]) shows the date and time when the Temperature Minimum occurred.
- **Maximum Recorded Supply Pressure**—Maximum Recorded Supply Pressure (SUPPLY\_PRESS\_MAX [86.5]) shows the maximum supply pressure the instrument has experienced since installation.
- **Maximum Recorded Supply Pressure Time**—Maximum Recorded Supply Pressure Time (SUPP\_PRESS\_MAX\_TIME [86.6]) shows the date and time when the Supply Pressure Maximum occurred.
- **Minimum Recorded Supply Pressure**—Minimum Recorded Supply Pressure (SUPP\_PRESS\_MIN [86.7]) shows the minimum supply pressure the instrument has experienced since installation.
- **Minimum Recorded Supply Pressure Time**—Minimum Recorded Supply Pressure Time (SUPP\_PRESS\_MIN\_TIME [86.8]) shows the date and time when the Supply Pressure Minimum occurred.

## Stroking the Digital Valve Controller Output

Field Communicator	TB > Device Diagnostic > Stroke Valve
--------------------	---------------------------------------

Stroke Valve is used to confirm proper valve operation. Follow the prompts on the Field Communicator display to select from the following: *Done*, *Ramp Open*, *Ramp Closed*, *Ramp to Target*, *Step to Target*, and *Stop*.

- *Done*—Select this if you are done. All ramping is stopped when DONE is selected.
- *Ramp Open*—ramps the travel toward open at the rate of 1.0% per second of the ranged travel.
- *Ramp Closed*—ramps the travel toward closed at the rate of 1.0% per second of the ranged travel.
- *Ramp to Target*—ramps the travel to the specified target at the rate of 1.0% per second of the ranged travel.
- *Step to Target*—steps the travel to the specified target.
- *Stop*—stops the command.

## Trend

Field Communicator	TB > Device Diagnostic > Trend
--------------------	--------------------------------

Trend chart of Setpoint (FINAL\_VALUE.VALUE [13.2]), Travel (TRAVEL.VALUE [34.2]), and Pressure A (PRESSURE\_A.VALUE [36.2]).

## Device Variables

Field Communicator	TB > Device Variables
--------------------	-----------------------

## All Block Modes

### Block Mode: Target

The Target (TARGET [5.1]) mode is the mode requested by the user or host system. Generally, only one mode is allowed to be set, and it must be a permitted mode as defined by the permitted attribute of the mode parameter. Additionally, all cascade targets (Cas, Rcas) must have AUTO set.

### Block Mode: Actual

This is the current mode of the block. The actual (ACTUAL [5.2]) mode may differ from the target mode due to operating conditions of the block.

---

### Note

Block Mode:Actual drops the AUTO bit for the cascade targets. For example, target mode might have Cas and Auto set, but actual mode will only have Cas set.

---

### Block Mode: Permitted

The permitted (PERMITTED [5.3]) mode defines the modes allowed for the block. This is set by the user or host system but is restricted by the instrument to modes supported by the instrument for the particular block. Any change request to the Target or Normal attribute is checked against the permitted attribute to ensure the requested mode is permitted. When setting the Permitted mode, there is no check against any of the other attributes (Normal or Target modes). Therefore, the normal or target mode attributes may have a value that is not permitted because the permitted attribute was modified after the Normal or Target mode was set. This will have no effect on the instrument until the user attempts to modify the Target or Normal mode. At this time these attributes are tested against the Permitted modes, thus the user cannot change the Normal or Target modes to what was formerly permitted.

### Block Mode: Normal

The normal (NORMAL [5.4]) mode is the mode the block should be in during normal operating conditions. The normal mode is set by the user or host system and can only be set to a permitted mode (see permitted mode). The user or host system can compare the actual mode to the normal mode and, based on the results, determine if the block is operating normally.

## AO Control - Pre-Characterization

- Setpoint

Setpoint (FINAL\_VALUE.VALUE [13.2]) shows the value of the setpoint in % (percent) of ranged travel or pressure. Setpoint is used for both travel and pressure control. This parameter will be written directly if the transducer block is in MAN mode, or will be written automatically by the AO block if the transducer block is in AUTO mode.

- Setpoint Status

Shows the Foundation Fieldbus status of Setpoint Value (FINAL\_VALUE.STATUS [13.2]); Good, Uncertain, or Bad.

- Travel (DeChar)

Travel (FINAL\_POSITION\_VALUE.VALUE [17.2]) shows the value of the travel in % (percent) of ranged travel. Travel always represents how far the valve is open.

## AO Control-Post Characterization

- Travel Target

Travel target is the output from the characterization function.

- Travel

Travel (TRAVEL.VALUE [34.2]) displays the actual position of the valve in percent (%) of calibrated travel.

- Travel Status

Shows the Foundation Fieldbus status of Travel Value (TRAVEL.STATUS [34.1]); Good, Uncertain, or Bad.

## DO Control

- Setpoint(D)

Discrete Setpoint (SETPOINT\_D.VALUE [32.2]) shows the value of the setpoint in discrete values. 0 = closed, 1 = open, 5, 10, 15... = setpoint in 5% units. This parameter will be written directly if the transducer block is in MAN mode, or will be written automatically by the DO block if the transducer block is in AUTO mode.

- Travel(D)

Travel (TRAVEL\_D.VALUE [33.2]) shows the value of the setpoint in discrete values. 0 = closed, 1 = open, 5, 10, 15... = setpoint in 5% units.

## Input Characterization

Input Characterization (INPUT\_CHAR [50]) defines the relationship between the setpoint specified by the output function block and the desired valve position.



## Travel/Pressure State

Travel/Pressure State (TVL\_PRESS.STATE [41.2]) indicates if the instrument is being used for travel control (position control) or as an I/P (pressure control).

## PD Inside Status

PD Inside Status shows the status of Performance Diagnostics.

## Protection

Indicates the status of Protection.

## Drive Signal

Drive Signal (DRIVE\_SIGNAL [53]) indicates the drive signal, as a percentage of the maximum drive available, going to the I/P converter from the printed wiring board. In most applications, the drive signal ranges between 50% and 75% of the maximum drive signal.

## Temperature

Temperature (TEMPERATURE [48]) displays the internal temperature of the instrument in either degrees Fahrenheit or Celsius.

## Cycle Counter

Cycle Counter (CYCLE\_COUNT [73]) records the number of times the travel changes direction. The change in direction must occur after the deadband has been exceeded before it can be counted as a cycle.

## Travel Accumulator

Travel Accumulator (TRAVEL\_ACCUM [72]) indicates the total change in travel, in percent of ranged travel. The accumulator only increments when travel exceeds the deadband. Then the greatest amount of change in one direction from the original reference point (after the deadband has been exceeded) will be added to the Travel Accumulator.

## Travel Count

Travel Count (TVL\_COUNT [43.1]) is the Travel Sensor readback displayed in A/D counts.

## Pressures

- Supply

Supply (SUPPLY\_PRESSURE\_VALUE [35.2]) shows the value of the supply pressure in psi, bar, kPa, inHg, inH<sub>2</sub>O, or kg/cm<sup>2</sup>.

- Pressure A

Pressure A (PRESSURE\_A.VALUE [36.2]) shows the value of Output Pressure A in psi, bar, kPa, inHg, inH<sub>2</sub>O, or kg/cm<sup>2</sup>.

- Pressure B

Pressure B (PRESSURE\_B.VALUE [37.2]) shows the value of Output Pressure B in psi, bar, kPa, inHg, inH<sub>2</sub>O, or kg/cm<sup>2</sup>.

- A Minus B

A Minus B (PRESSURE\_DIFF.VALUE [38.2]) shows the value of the output pressure differential in psi, bar, kPa, inHg, inH<sub>2</sub>O, or kg/cm<sup>2</sup>.

## Section 7 Maintenance and Troubleshooting

The DVC6200f digital valve controller enclosure is rated Type 4X and IP66, therefore periodic cleaning of internal components is not required. If the DVC6200f is installed in an area where the exterior surfaces tend to get heavily coated or layered with industrial or atmospheric contaminants, however, it is recommended that the vent (key 52) be periodically inspected to ensure it is fully open. If the vent appears to be clogged, it can be removed, cleaned and replaced. Lightly brush the exterior of the vent to remove contaminants and run a mild water/detergent solution through the vent to ensure it is fully open. Allow the vent to dry before reinstalling.

### **⚠ WARNING**

Personal injury or property damage can occur from cover failure due to overpressure. Ensure that the housing vent opening is open and free of debris to prevent pressure buildup under the cover.

### **⚠ WARNING**

To avoid static discharge from the plastic cover when flammable gases or dust are present, do not rub or clean the cover with solvents. To do so could result in a spark that may cause the flammable gases or dust to explode, resulting in personal injury or property damage. Clean with a mild detergent and water only.

### **⚠ WARNING**

Avoid personal injury or property damage from sudden release of process pressure or bursting of parts. Before performing any maintenance procedures on the DVC6200f digital valve controller:

- Always wear protective clothing, gloves, and eyewear.
- Do not remove the actuator from the valve while the valve is still pressurized.
- Disconnect any operating lines providing air pressure, electric power, or a control signal to the actuator. Be sure the actuator cannot suddenly open or close the valve.
- Use bypass valves or completely shut off the process to isolate the valve from process pressure. Relieve process pressure from both sides of the valve.
- Vent the pneumatic actuator loading pressure and relieve any actuator spring precompression.
- Use lock-out procedures to be sure that the above measures stay in effect while you work on the equipment.
- Check with your process or safety engineer for any additional measures that must be taken to protect against process media.

### **⚠ WARNING**

When using natural gas as the supply medium, or for explosion proof applications, the following warnings also apply:

- Remove electrical power before removing the housing cap. Personal injury or property damage from fire or explosion may result if power is not disconnected before removing the cap.
- Remove electrical power before disconnecting any of the pneumatic connections.
- When disconnecting any of the pneumatic connections or any pressure retaining part, natural gas will seep from the unit and any connected equipment into the surrounding atmosphere. Personal injury or property damage may result

from fire or explosion if natural gas is used as the supply medium and appropriate preventive measures are not taken. Preventive measures may include, but are not limited to, one or more of the following: ensuring adequate ventilation and the removal of any ignition sources.

- Ensure that the cover is correctly installed before putting this unit back into service. Failure to do so could result in personal injury or property damage from fire or explosion.

## CAUTION

When replacing components, use only components specified by the factory. Always use proper component replacement techniques, as presented in this manual. Improper techniques or component selection may invalidate the approvals and the product specifications, as indicated in table 1-1, and may also impair operations and the intended function of the device.

Because of the diagnostic capability of the DVC6200f, predictive maintenance is available through the use of ValveLink software. Using the digital valve controller, valve and instrument maintenance can be enhanced, thus avoiding unnecessary maintenance. For information on using ValveLink software, refer to the ValveLink software online help.

## Removing the Magnetic Feedback Assembly

To remove the magnet assembly from the actuator stem, perform the following basic steps.

1. Make sure that the valve is isolated from the process.
2. Remove the instrument terminal box cover.
3. Disconnect the field wiring from the terminal board.
4. Shut off the instrument air supply.
5. Disconnect the pneumatic tubing and remove the DVC6200f or the DVC6215 from the actuator.
6. Remove the screws holding the magnet assembly to the connector arm.

When replacing the instrument, be sure to follow the mounting guidelines in the Installation section. Setup and calibrate the instrument prior to returning to service.

## Module Base Maintenance

The digital valve controller contains a module base consisting of the I/P converter, printed wiring board assembly, and pneumatic relay. The module base may be easily replaced in the field without disconnecting field wiring or tubing.

## Tools Required

Table 7-1 lists the tools required for maintaining the DVC6200f digital valve controller.

Table 7-1. Tools Required

Tool	Size	Component
Phillips Screwdriver		Relay, printed wiring board assembly, and cover screws
Hex key	5 mm	Terminal box screw
Hex key	1.5 mm	Terminal box cover screw
Hex key	2.5 mm	I/P converter screws
Hex key	6 mm	Module base screws

## Component Replacement

When replacing any of the components of the DVC6200f, the maintenance should be performed in an instrument shop whenever possible. Make sure that the electrical wiring and pneumatic tubing is disconnected prior to disassembling the instrument.

## Removing the Module Base

Refer to figure 8-2 or 8-4 for key number locations.

### **⚠ WARNING**

**To avoid personal injury or equipment damage from bursting of parts, turn off the supply pressure to the digital valve controller and bleed off any excess supply pressure before attempting to remove the module base assembly from the housing.**

1. Unscrew the four captive screws in the cover (key 43) and remove the cover from the module base (key 2).
2. Using a 6 mm hex socket wrench, loosen the three-socket head screws (key 38). These screws are captive in the module base by retaining rings (key 154).

### **Note**

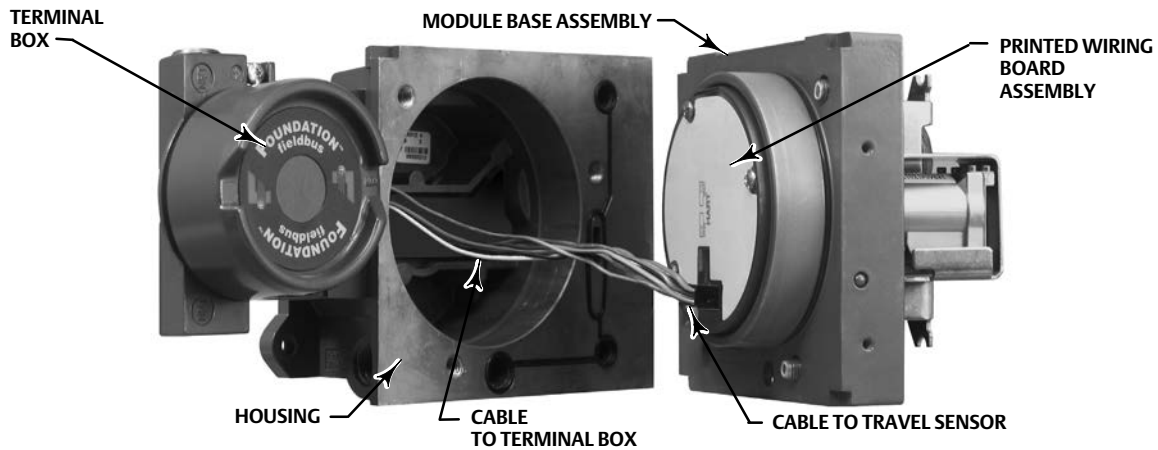
The module base is linked to the housing by two cable assemblies. Disconnect these cable assemblies after you pull the module base out of the housing.

### **CAUTION**

**To avoid affecting performance of the instrument, take care not to damage the module base seal or guide surface. Do not bump or damage the bare connector pins on the PWB assembly. Damaging either the module base or guide surface may result in material damage, which could compromise the instruments ability to maintain a pressure seal.**

3. Pull the module base straight out of the housing (key 1). Once clear of the housing, swing the module base to the side of the housing to gain access to the cable assemblies.
4. The digital valve controller has two cable assemblies, shown in figure 7-1, which connect the module base, via the printed wiring board assembly, to the travel sensor and the terminal box. Disconnect these cable assemblies from the printed wiring board assembly on the back of the module base.

Figure 7-1. Printed Wiring Board Cable Connections

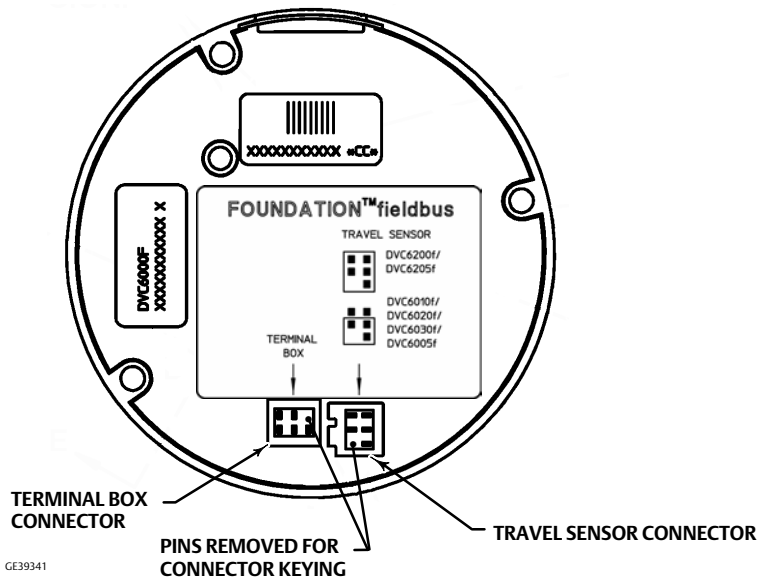


W9924-1

## Replacing the Module Base

Refer to figure 8-2 or 8-4 for key number locations. Refer to figure 7-2 for a view of the back of the PWB assembly sub-module.

Figure 7-2. Back View of PWB Assembly Sub-Module



GE39341

### Note

To avoid affecting performance of the instrument, inspect the guide surface on the module and the corresponding seating area in the housing before installing the module base assembly. These surfaces must be free of dust, dirt, scratches, and contamination. Ensure the module base seal is in good condition. Do not reuse a damaged or worn seal.

1. Ensure the module base seal (key 237) is properly installed in the housing (key 1). Ensure the O-ring (key 12) is in place on the module base assembly.
2. Connect the terminal box connector to the PWB assembly (key 50). Orientation of the connector is required.
3. Connect the travel sensor connector to the PWB assembly (key 50). Orientation of the connector is required.
4. Insert the module base (key 2) into the housing (key 1).
5. Install three socket head screws (key 38) in the module base into the housing. If not already installed, press three retaining rings (key 154) into the module base. Evenly tighten the screws in a crisscross pattern to a final torque of 16 N•m (138 lbf•in).

## CAUTION

**Personal injury, property damage, or disruption of process control can result if the cable assemblies/wiring are damaged when attaching the cover to the module base assembly**

**Ensure that the cable assemblies/wiring are positioned in the cavity of the module base so they do not get compressed or damaged when attaching the cover to the module base assembly in step 6.**

6. Attach the cover (key 43) to the module base assembly.

## Submodule Maintenance

The digital valve controller's module base contains the following submodules: I/P converter, PWB assembly, and pneumatic relay. If problems occur, these submodules may be removed from the module base and replaced with new submodules. After replacing a submodule, the module base may be put back into service.

## CAUTION

**Exercise care when performing maintenance on the module base. Reinstall the cover to protect the I/P converter and gauges when servicing other submodules.**

**In order to maintain accuracy specifications, do not strike or drop the I/P converter during submodule maintenance.**

## I/P Converter

Refer to figure 8-2 or 8-4 for key number locations. The I/P converter (key 41) is located on the front of the module base.

### Note

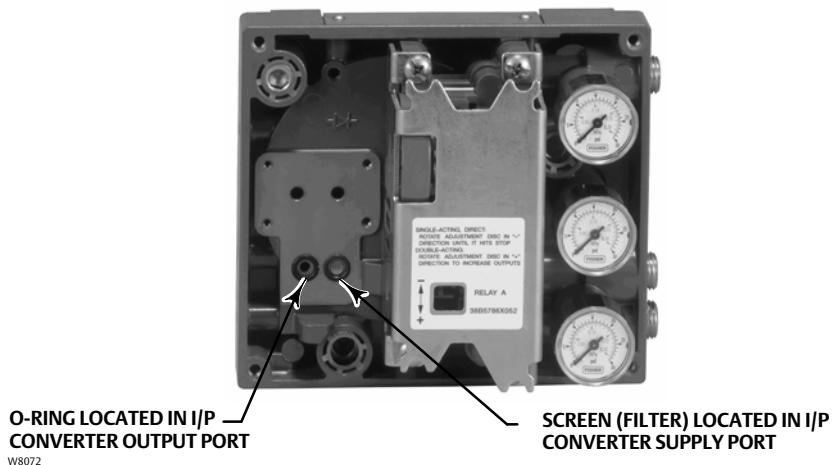
After I/P converter submodule replacement, calibrate the digital valve controller to maintain accuracy specifications.

## Replacing the I/P Filter

A screen in the supply port beneath the I/P converter serves as a secondary filter for the supply medium. To replace this filter, perform the following procedure:

1. Remove the I/P converter (key 41) and shroud (key 169) as described in the Removing the I/P Converter procedure.
2. Remove the screen (key 231) from the supply port.
3. Install a new screen in the supply port as shown in figure 7-3.
4. Inspect the O-ring (key 39) in the I/P output port. if necessary, replace it.
5. Reinstall the I/P converter (key 41) and shroud (key 169) as described in the Replacing the I/P Converter procedure.

Figure 7-3. I/P Filter Location



## Removing the I/P Converter

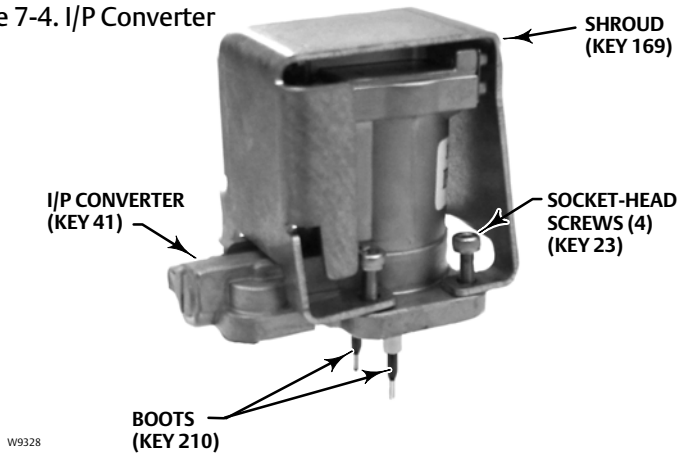
1. Remove the front cover (key 43), if not already removed.
2. Refer to figure 7-4. Using a 2.5 mm hex socket wrench, remove the four socket-head screws (key 23) that attach the shroud (key 169) and I/P converter (key 41) to the module base (key 2).
3. Remove the shroud (key 169); then pull the I/P converter (key 41) straight out of the module base (key 2). Be careful not to damage the two electrical leads that come out of the base of the I/P converter.
4. Ensure that the O-ring (key 39) and screen (key 231) stay in the module base and do not come out with the I/P converter (key 41).

## Replacing the I/P Converter

1. Refer to figure 7-3. Inspect the condition of the O-ring (key 39) and screen (key 231) in the module base (key 2). Replace them, if necessary. Apply silicone lubricant to the O-rings.
2. Ensure the two boots (key 210) shown in figure 7-4 are properly installed on the electrical leads.



Figure 7-4. I/P Converter



3. Install the I/P converter (key 41) straight into the module base (key 2), taking care that the two electrical leads feed into the guides in the module base. These guides route the leads to the printed wiring board assembly submodule.
4. Install the shroud (key 169) over the I/P converter (key 41).
5. Install the four socket-head screws (key 23) and evenly tighten them in a crisscross pattern to a final torque of 1.6 N•m (14 lbf•in).
6. After replacing the I/P converter, calibrate travel or perform touch-up calibration to maintain accuracy specifications.

## Printed Wiring Board (PWB) Assembly

Refer to figure 8-2 or 8-4 for key number locations. The PWB assembly (key 50) is located on the back of the module base assembly (key 2).

### Note

The DVC6200f PWB assembly must be firmware revision 2.0 or later.

### Note

If the PWB assembly submodule is replaced, calibrate and configure the digital valve controller to maintain accuracy specifications.

## Removing the Printed Wiring Board Assembly

1. Separate the module base from the housing by performing the Removing the Module Base procedure.
2. Remove three screws (key 33).
3. Lift the PWB assembly (key 50) straight out of the module base (key 2).
4. Ensure that the O-rings (key 40) remain in the pressure sensor bosses on the module base assembly (key 2) after the PWB assembly (key 50) has been removed.

## Replacing the Printed Wiring Board Assembly

1. Apply silicone lubricant to the pressure sensor O-rings (key 40) and install them on the pressure sensor bosses in the module base assembly.

2. Properly orient the PWB assembly (key 50) as you install it into the module base. The two electrical leads from the I/P converter (key 41) must guide into their receptacles in the PWB assembly and the pressure sensor bosses on the module base must fit into their receptacles in the PWB assembly.
3. Push the PWB assembly (key 50) into its cavity in the module base.
4. Install and tighten three screws (key 33) to a torque of 1 N•m (10.1 lbf•in).
5. Reassemble the module base to the housing by performing the Replacing the Module Base procedure.
6. Setup and calibrate the digital valve controller.

---

**Note**

Calibration is required for either Travel or Pressure Control after PWB Assembly replacement.

Note that only one calibration is needed, depending on control selection.

---

## Pneumatic Relay

Refer to figure 8-2 or 8-4 for key number locations. The pneumatic relay (key 24) is located on the front of the module base.

---

**Note**

After relay submodule replacement, calibrate the digital valve controller to maintain accuracy specifications.

---

### Removing the Pneumatic Relay

1. Loosen the four screws that attach the relay (key 24) to the module base. These screws are captive in the relay.
2. Remove the relay.

### Replacing the Pneumatic Relay

1. Visually inspect the holes in the module base to ensure they are clean and free of obstructions. If cleaning is necessary, do not enlarge the holes.
2. Apply silicone lubricant to the relay seal and position it in the grooves on the bottom of the relay as shown in figure 7-5. Press small seal retaining tabs into retaining slots to hold relay seal in place.

---

Figure 7-5. Pneumatic Relay Assembly



3. Position the relay (with shroud) on the module base. Tighten the four screws, in a crisscross pattern, to a final torque of 2 N•m (20.7 lbf•in).
4. Using the Field Communicator, verify that the value for Relay Type parameter matches the relay type installed.
5. After replacing the relay and verifying the relay type, calibrate travel or perform touch-up calibration to maintain accuracy specifications

## Gauges, Pipe Plugs, or Tire Valves

Depending on the options ordered, the DVC6200f will be equipped with either gauges (key 47), pipe plugs (key 66), or tire valves (key 67). Single-acting direct instruments will also have a screen (key 236, figure 8-3). These are located on the top of the module base next to the relay.

Perform the following procedure to replace the gauges, tire valves, or pipe plugs. Refer to figure 8-2 and 8-3 for key number locations.

1. Remove the front cover (key 43).
2. Remove the gauge, pipe plug, or tire valve as follows:

For **gauges (key 47)**, the flats are on the gauge case. Use a wrench on the flats of the gauge to remove the gauge from the module base. For double-acting instruments, to remove the supply gauge remove one of the output gauges.

For **pipe plugs (key 66)** and **tire valves (key 67)**, use a wrench to remove these from the module base.

3. Apply zinc based anti-seize sealant (key 64) to the threads of the replacement gauges, pipe plugs, or tire valves.
4. Using a wrench, screw the gauges, pipe plugs, or tire valves into the module base.

## Terminal Box

### **▲ WARNING**

Refer to the Maintenance WARNING at the beginning of this section.

Refer to figure 8-2 or 8-4 for key number locations.

The terminal box is located on the housing and contains the terminal strip assembly for field wiring connections.

## Removing the Terminal Box

### **▲ WARNING**

To avoid personal injury or property damage caused by fire or explosion, remove power to the instrument before removing the terminal box cover in an area which contains a potentially explosive atmosphere or has been classified as hazardous.

1. Loosen the set screw (key 58) in the cap (key 4) so that the cap can be unscrewed from the terminal box.
2. After removing the cap (key 4), note the location of field wiring connections and disconnect the field wiring from the terminal box.
3. Separate the module base from the housing by performing the Removing the Module Base procedure.

4. Disconnect the terminal box wiring connector from the PWB assembly (key 50).
5. Remove the screw (key 72). Pull the terminal box assembly straight out of the housing.

## Replacing the Terminal Box

---

### Note

Inspect all O-rings for wear and replace as necessary.

---

1. Apply lubricant, silicone sealant to the O-ring (key 34) and install the O-ring over the stem of the terminal box.
2. Insert the terminal box assembly stem into the housing until it bottoms out. Position the terminal box assembly so that the hole for the screw (key 72) in the terminal box aligns with the threaded hole in the housing. Install the screw (key 72).
3. Connect the terminal box wiring connector to the PWB assembly (key 50).
4. Reassemble the module base to the housing by performing the Replacing the Module Base procedure.
5. Reconnect the field wiring as noted in step 2 in the Removing the Terminal Box procedure.
6. Apply lubricant, silicone sealant to the O-ring (key 36) and install the O-ring over the 2-5/8 inch threads of the terminal box. Use of a tool is recommended to prevent cutting the O-ring while installing it over the threads.
7. Apply lithium grease (key 63) to the 2-5/8 inch threads on the terminal box to prevent seizing or galling when the cap is installed.
8. Screw the cap (key 4) onto the terminal box.
9. Install a set screw (key 58) into the cap (key 4). Loosen the cap (not more than 1 turn) to align the set screw over one of the recesses in the terminal box. Tighten the set screw (key 58).

## Stroking the Digital Valve Controller Output

After completing maintenance procedures, confirm proper valve operation by stroking the digital valve controller output. Refer to page 204.

# Instrument Troubleshooting

## What to Do First

When a problem occurs, check the following first:

### Mounting

- Is the feedback linkage connected correctly? See the beginning of this section.

### Utility Connections

- Are pneumatic connections correct? Are there any air leaks? See the Installation section.
- Is the air supply pressure sufficient to drive the valve?
- Is the digital valve controller correctly connected to the fieldbus? See the Installation section.
- Is there power to the device? Is the terminal voltage between 9 and 32 volts? See the Installation section.
- Is the segment terminated correctly? See host system documentation.
- Is the host system connected to the segment? See host system documentation.

If communication or output difficulties are experienced with the instrument, refer to the troubleshooting information provided in table 7-2.

Also see the Technical Support Checklist found on page 224.

Table 7-2. Instrument Troubleshooting

Symptom	Possible Cause	Action
1 Instrument will not communicate.	1a No power to device	1a1 Ensure device is connected to the segment (see host system documentation).
		1a2 Measure the terminal voltage. Terminal voltage should be between 9 and 32 VDC.
		1a3 Check to be sure device is drawing current. There should be approximately 19 mA.
	1b Internal device wiring problems.	1b1 Verify connectors are plugged into the printed wiring board correctly (see Printed Wiring Board Assembly on page 215).
		1b2 Check continuity of cable between terminal box and printed wiring board. If necessary, replace the terminal box assembly (see Replacing the Terminal Box on page 218).
		1b3 Check for damaged printed wiring board lands and terminals. If necessary, replace the terminal box assembly (see Replacing the Terminal Box on page 218).
	1c Incompatible network settings	1c Change host parameters. Refer to host documentation for procedure.
1d Defective printed wiring board (PWB) assembly.	1d Replace printed wiring board (see Replacing the PWB Assembly on page 215).	
1e Defective terminal box.	1e Check continuity from each screw terminal to the corresponding PWB connector pin. If necessary, replace the terminal box assembly (see Replacing the Terminal Box on page 218).	
1f Defective Field Communicator or ValveLink modem cable.	1f If necessary, repair or replace cable.	
1g Fieldbus card defective or not compatible with PC.	1g Replace Fieldbus card.	
2 Device does not stay on segment.	2a Incorrect signal level.	2a1 Check that segment is properly terminated (see host system documentation).
		2a2 Wrong cable type or segment length too long. See Site Planning Guide.
		2a3 Bad power supply or conditioner.
	2b Excess noise on segment.	2b1 Check integrity of wiring connections. Make sure cable shield is grounded only at the control system.
		2b2 Check for corrosion or moisture on terminals in terminal box (refer to page 218 for terminal box information).
		2b3 Check for bad power supply.
2c Electronics failing.	2c. Replace printed wiring board assembly (see Replacing the PWB Assembly on page 215).	
3 A value cannot be written to a parameter.	3a Resource block parameter Write Lock may be set to Locked.	3a Change Write Lock to Not Locked (refer to page 21).
	3b If a transducer block parameter, the mode may be incorrect or the parameter may be protected.	3b1 Check table 4-14. If necessary change the transducer block target mode to Manual.
		3b2 Check table 4-14. If necessary change data protection.
	3c You have attempted to write a value that is outside the valid range.	3c Check the range values listed for the parameter (refer to the parameter tables in Section 4).
3.d Function block or in/out block mode may be incorrect.	3.d. Confirm that block is in correct mode for writing to any given parameter.	

-Continued--Continued-

Table 7-2. Instrument Troubleshooting (Continued)

Symptom	Possible Cause	Action
4 Function block actual mode does not change with target mode.	4a Resource block actual mode is Out of Service.	4a Change Resource block target mode to Auto (see page 21, Resource Block Mode, or host system documentation).
	4b Transducer block actual mode is not Auto.	4b Change transducer block target mode to Auto (see page 38, Transducer Block Mode or host system documentation).
	4c Schedules that define when function blocks execute are not set correctly.	4c Set the schedules using host system or configuration tool. All function blocks must be in a schedule that is downloaded to the device.
	4d Configuration error	4d Look for configuration error bit in BLOCK_ERR. By default, all enumerature type parameters are initialized to 0 (undefined). They must be configured before the block can be put into service.
5 Input or Output Block does not go to mode target	5a Resource block actual mode is Out of Service	5a Change Resource block target mode to Auto (see page 21, Resource Block Mode, or host system documentation).
	5b Transducer block actual mode is not Auto.	5b Change transducer block target mode to Auto (see page 38, Transducer Block Mode or host system documentation).
	5c Transducer has detected a hardware failure.	5c A bad status is passed to the block's READBACK or FIELD_VAL parameter. See transducer section of Detailed Setup for repair information.
	5d Wrong output block is active.	5d Use Outblock Selection to select the desired output block. The deselected block will have a bad status for READBACK. This will keep it in IMAN mode when target is other than OOS.
	5e Output block is not licensed.	5e The Actual Block Mode (MODE_BLK.ACTUAL [5.2]) will remain out of service and the block cannot be scheduled if the block has not been licensed. Contact your Emerson Process Management sales office to upgrade product licensing.
	5f Schedules that define when function blocks execute are not set correctly.	5f Set the schedules using host system or configuration tool. All function blocks must be in a schedule that is downloaded to the device.
	5g Configuration error.	5g Look for configuration error bit in BLOCK_ERR. By default, all enumerature type parameters are initialized to 0 (undefined). They must be configured before the block can be put into service.
6 Block dynamic parameters do not update	6a Block actual mode is Out of Service	6a Change the block target mode to an operational mode (see Appendix D, FOUNDATION fieldbus Communication and host system documentation).
7 Transducer block Setpoint (FINAL_VALUE [13]) is not being automatically updated from the AO block.	7a Transducer block mode is not Auto.	7a Change transducer block mode to Auto.
	7b AO block is not active.	7b Change Outblock Selection to AO Control.
8 Transducer block setpoint Setpoint(D) (SETPOINT_D [32]) is not being automatically updated from the DO block.	8a Transducer block mode is not Auto.	8a Change transducer block mode to Auto.
	8b DO block is not active.	8.b Change Outblock Selection to DO Control.
9 Valve does not move when the set point is changed	9a A function block actual mode is Out of Service or Transducer Block Actual mode is Out of Service or Manual.	9a1 Change the target mode to an operational mode (see Appendix D, FOUNDATION fieldbus Communication and host system documentation).
		9a2 Verify that the correct block (AO or DO) is configured in Feature Select in the resource block. Only the selected out block is able to set the transducer setpoint and move the valve.
	9b Pneumatic connections are incorrect or supply pressure is incorrect	9b Check pneumatic connections and supply pressure. Be sure supply pressure regulator is set correctly.

-Continued-

Table 7-2. Instrument Troubleshooting

Symptom	Possible Cause	Action
9 Valve does not move when the set point is changed	9c Instrument is in fault state.	9c Set Clear FState to Clear (Refer to Fault State on page 23 of the Detailed Setup / Blocks Section, or host system documentation).
	9d The valve has failed.	9d Apply a pneumatic pressure to the valve actuator and check valve action.
	9e The I/P converter or relay has failed.	9e Replace the I/P converter or relay (see Replacing the I/P Converter on page 214).
10 Valve does not stroke from 0 to 100% with set point change	10a Insufficient supply pressure or leak in pneumatic connections.	10a Check supply pressure and supply pressure regulator setting. Check for leaks around pneumatic connections.
	10b Setpoint may be limited.	10b Check the AO Block values of SP_HI_LIMIT and SP_LO_LIMIT (see page 98 or host system documentation).
11 Deviation between set point and actual valve position remains.	11a Digital valve controller output is in cutoff.	11a Check values for Travel Cutoff High and Travel Cutoff Low (see page 43 or host system documentation).
	11b Digital valve controller is not calibrated correctly	11b Perform Auto or Manual Travel Calibration (Travel Calibration on page 190.)
	11c Incorrect turning. Tuning that is too conservative will result in excess error.	11c Perform Stabilizing/Optimize Valve Response procedure to adjust tuning and stabilize/optimize valve response (see Stabilize/Optimize on page 40).
12 The valve cycles, does not stay on set point.	12a Large amount of packing friction.	12a1 Perform Stabilizing/Optimize Valve Response procedure to adjust tuning and stabilize/optimize valve response (see Stabilize/Optimize on page 40).
		12a2 Use a larger size actuator.
13 Valve responds too slowly.	13a Insufficient instrument gain.	13a Perform Stabilize/Optimize Valve Response procedure to adjust tuning and stabilize valve response (see Stabilize/Optimize on page 40).
	13b I/P converter input filter clogged or air blockage in I/P ass'y nozzle block.	13b1 Replace I/P converter filter (see Replacing the I/P Filter on page 213).
		13b2 Replace I/P converter (see Replacing the I/P Converter on page 214).
	13c O-ring(s) between I/P converter missing or hard and flattened losing seal.	13c Replace O-ring(s) (refer to the I/P Converter section on page 213).
	13d I/P ass'y out of spec.	13d I/P ass'y nozzle may have been adjusted. Verify drive signal (55% to 80%) (refer to Elect and Config on page 45 or host system documentation). Replace I/P ass'y if drive signal is continuously high or low (see Replacing the I/P Converter on page 214).
	13e Defective gasket.	13e Check gasket for closed holes, excessive deformation due to overtightening or "oozing". If necessary, replace gasket (see the beginning of this section).
	13f Defective relay.	13f Remove relay, inspect for missing Belleville washer, missing valve spring, missing valve plug. Inspect "lip" under top O-ring for breakage due to relay removal. Inspect O-rings and replace if hard or damaged. Replace parts or relay if I/P ass'y good and air passages not blocked (see Replacing the Pneumatic Relay on page 216).
13g If responds slowly only upon air demand, there may be a restriction in the air line, the supply run may be excessively long, or the supply regulator may be defective or capacity not large enough.		13g1 Check supply line to ensure it is not clogged or damaged. Replace if necessary.
		13g2 If supply run is excessively long, a volume tank may need to be installed on the the supply side of the pressure regulator
		13g3 Replace supply regulator

-Continued-



Table 7-2. Instrument Troubleshooting (Continued)

Symptom	Possible Cause	Action
14 Instrument will not calibrate, has sluggish performance or oscillates.	14a Travel sensor failed.	14a Replace the housing (key 1)
	14b Travel feedback is out of accepted range	14b Check the mounting. Ensure the correcting mounting kit has been selected and the magnetic array is properly installed.
	14c Cables not plugged into PWB correctly.	14c Inspect connections and correct.
	14d Configuration errors.	14d Verify configuration. Use Device Setup on page 16.
	14e Restricted pneumatic passages in I/P converter	14e Check screen in I/P converter supply port of the module base. Replace if necessary. If passages in I/P converter restricted, replace I/P converter (see Replacing the I/P Converter on page 214).
	14f O-ring(s) between I/P converter ass'y missing or hard and flattened losing seal.	14f Replace O-ring(s) (refer to the I/P Converter section on page 213).
	14g I/P converter ass'y damaged/corroded/clogged.	14g Check for bent flapper, open coil (continuity), contamination, staining, or dirty air supply. Coil resistance should be between 1680 - 1860 ohms. Replace I/P ass'y if damaged, corroded, clogged, or open coil (see Replacing the I/P Converter on page 214).
	14h I/P converter ass'y out of spec.	14h I/P converter ass'y nozzle may have been adjusted. Verify drive signal (55 to 80% for double-acting; 60 to 85% for single-acting) with the valve off the stops. Replace I/P converter ass'y if drive signal is continuously high or low (see Replacing the I/P Converter on page 214).
	14i Defective module base seal.	14i Check module base seal for condition and position. If necessary, replace seal. Refer to Module Base Maintenance on page 210.
15 Instrument will not calibrate.	14j Defective relay.	14j Depress relay beam at adjustment location in shroud, look for increase in output pressure. Remove relay, inspect relay seal. Replace relay seal or relay if I/P converter ass'y good and air passages not blocked (refer to Replacing the Pneumatic Relay on page 216). Check relay adjustment (refer to page 191).
	14k Defective 67CFR regulator, supply pressure gauge jumps around.	14k Replace 67CFR regulator.
	15a Configuration errors.	15a Verify configuration.
	15b Magnet assembly is not correctly installed.	15b Check the mounting. Ensure the correcting mounting kit has been selected and the magnetic array is properly installed.
16 ValveLink diagnostic tests provide erroneous results.	15c Cables not plugged into PWB correctly.	15c Inspect connections and correct.
	16a Defective pressure sensor(s).	16a Replace PWB (see Replacing the PWB Assembly on page 215).
	16b Pressure sensor O-ring(s) missing.	16b Replace O-ring(s).
17 Cannot perform advanced diagnostics.	17a Instrument does not have proper tiering.	17a Upgrade tiering.
18 A PlantWeb alert is active, but not reported (broadcast) automatically.	18a PlantWeb alerts in firmware 1.5 and higher are mode-based. Transducer block mode may be in MAN or OOS.	18a Check transducer block mode. Change to AUTO if appropriate.
19 Field Communicator does not turn on.	19a Battery pack not charged.	19a Charge battery pack. Note: Battery pack can be charged while attached to the Field communicator or separately. The Field Communicator is fully operable while the battery pack is charging. Do not attempt to charge the battery pack in a hazardous area.

## Technical Support Checklist

Have the following information available prior to contacting your Emerson Process Management sales office for support.

### Reference

1. Instrument serial number as read from nameplate \_\_\_\_\_
2. What is the firmware version of the DVC6200f? \_\_\_\_\_
3. What is the hardware version of the DVC6200f? \_\_\_\_\_
4. What is the Diagnostic Tier of the DVC6200f? FD\_\_\_ AD\_\_\_ PD\_\_\_
5. What is the Control Tier of the DVC6200f? SC\_\_\_ FL\_\_\_ FC\_\_\_
6. What is the address of the DVC6200f? \_\_\_\_\_

### Mode and Status

7. What are the DVC6200f Block Modes?  
 Actual Modes:                      Resource Block \_\_\_\_\_ Transducer Block \_\_\_\_\_ Analog Output Block \_\_\_\_\_  
 Target Modes:                      Resource Block \_\_\_\_\_ Transducer Block \_\_\_\_\_ Analog Output Block \_\_\_\_\_  
 Permitted Modes:                      Resource Block \_\_\_\_\_ Transducer Block \_\_\_\_\_ Analog Output Block \_\_\_\_\_
8. What is the status of the individual function blocks?

### Operational

9. Does the digital valve controller respond to the control signal? Yes \_\_\_\_\_ No \_\_\_\_\_  
 If No, describe \_\_\_\_\_
10. Is it on Travel or Pressure control?
11. What are the following parameter readings?  
 Setpoint \_\_\_\_\_ Drive Signal \_\_\_\_\_ %  
 Supply Pressure \_\_\_\_\_ Pressure A \_\_\_\_\_ Pressure B \_\_\_\_\_  
 Travel Target \_\_\_\_\_ % Travel \_\_\_\_\_ % Pressure B \_\_\_\_\_
12. What is the safe position of the valve? Fail Closed \_\_\_\_\_ Fail Open \_\_\_\_\_

### Interface and Diagnostic Tools

13. What interface and diagnostic tools are available? \_\_\_\_\_
14. Provide any available supporting documentation, such as Status Monitor, Detailed Setup, any alert readings.

## Mounting

### Reference

1. Actuator application: sliding-stem? \_\_\_\_\_ Rotary? \_\_\_\_\_
2. Which digital valve controller do you have? DVC6200f \_\_\_\_\_ DVC6205f/DVC6215 \_\_\_\_\_
3. What Make, Brand, Style, Size, etc. actuator is the DVC6200f mounted on? \_\_\_\_\_

### Operational

4. What is the full travel of the valve? \_\_\_\_\_
5. What is the Mounting Kit part number? \_\_\_\_\_

### Other

6. If mounting kits are made by LBP/Customer, please provide pictures of installation.

## Section 8 Parts

### Parts Ordering

Whenever corresponding with your Emerson Process Management sales office about this equipment, always mention the controller serial number. When ordering replacement parts, refer to the 11-character part number of each required part as found in the following parts list. Part numbers are shown for kits and recommended spares only. For part numbers not shown, contact your Emerson Process Management sales office.

#### **⚠ WARNING**

**Use only genuine Fisher replacement parts. Components that are not supplied by Emerson Process Management should not, under any circumstances, be used in any Fisher instrument. Use of components not supplied by Emerson Process Management may void your warranty, might adversely affect the performance of the instrument, and could cause personal injury and property damage.**

### Parts Kits

Kit	Description	Part Number	Kit	Description	Part Number
1*	Elastomer Spare Parts Kit (kit contains parts to service one digital valve controller)		6*	Spare Module Base Assembly Kit	
	Standard	19B5402X012		[kit contains module base (key 2); drive screws, qty. 2, (key 11); shield/label (key 19); hex socket cap screw, qty. 3, (key 38); self tapping screw, qty. 2 (key 49); pipe plug, qty. 3 (key 61); retaining ring, qty. 3 (key 154); screen (key 236); and flame arrestors, qty. 3 (key 243)]	
	Extreme Temperature option (fluorosilicone elastomers)	19B5402X022		Aluminum	GE18654X012
2*	Small Hardware Spare Parts Kit (kit contains parts to service one digital valve controller)	19B5403X012		Stainless Steel	GE18654X022
3*	Seal Screen Kit		7*	Spare Housing Assembly Kit,	
	[kit contains 25 seal screens (key 231) and 25 O-rings (key 39)]			[kit contains housing (key 1); vent assembly (key 52); seal (only included in Housing A kits) (key 288); seal (key 237); O-ring (key 34); O-ring (only used with integrally mounted regulator) (key 5)]	
	Standard and Extreme Temperature option (fluorosilicone elastomers)	14B5072X182		Aluminum	
4*	Terminal Box Kit			<i>Housing A (used for GX actuator)</i>	
	Aluminum			Standard (nitrile elastomers)	GE48798X032
	Standard	GE44077X012		Extreme Temperature option (fluorosilicone elastomers)	GE48798X042
	Standard, Natural Gas approved	GE44081X012		<i>Housing B (used for all actuators except GX)</i>	
	Extreme Temperature option (fluorosilicone elastomers)	GE44078X012		Standard (nitrile elastomers)	GE48798X072
	Extreme Temperature option (fluorosilicone elastomers)			Extreme Temperature option (fluorosilicone elastomers)	GE48798X082
	Natural Gas Approved	GE44082X012		Stainless Steel	
	Stainless Steel, fluorosilicone elastomers	GE44080X012		<i>Housing B (used for all actuators except GX)</i>	
5*	I/P Converter Kit			Standard (nitrile elastomers)	GE48798X092
	Standard	38B6041X152		Extreme Temperature option (fluorosilicone elastomers)	GE48798X102
	For Extreme Temperature option (fluorosilicone elastomers)	38B6041X132			

\*Recommended spare parts

Kit	Description	Part Number
8*	Spare I/P Shroud Kit [kit contains shroud (key 169) and hex socket cap screw, qty. 4 (key 23)]	GE29183X012
9	Remote Mount Feedback Unit Kit (see figure 8-5) [remote housing assembly (key 25); hex socket set screw (key 58); 1/2 NPT pipe plug (key 62); wire retainer, qty 2 (key 131); terminal cover (key 255); o-ring (key 256); gasket (Housing A only, used for GX actuator) (key 287); seal (Housing A only, used for GX actuator) (key 288)]	
	Housing A (used for GX actuator)	GE46670X012
	Housing B (used for all actuators except GX)	GE40178X012
10	Feedback Array Kit  Sliding Stem (Linear) [kit contains feedback array and hex socket cap screws, qty.2, washer, plain, qty.2, external tooth lock washer, qty.2 (only with aluminum feedback array kit) and alignment template. 210 mm (8-1/4 inch) kit contains feedback array and hex socket cap screws, qty. 4, washer, plain, qty. 4, external tooth lock washer, qty. 4 (only with aluminum feedback array kit), alignment template and insert]. Stainless steel kits only for use with stainless steel mounting kits.	
	7 mm (1/4-inch) Aluminum	GG20240X012
	19 mm (3/4-inch) Aluminum	GG20240X022
	Stainless steel	GE65853X012
	25 mm (1-inch) Aluminum	GG20240X032
	Stainless steel	GE65853X022
	38 mm (1-1/2 inch) Aluminum	GG20240X042
	Stainless steel	GE65853X032
	50 mm (2-inch) Aluminum	GG20240X052
	Stainless steel	GE65853X042
	110 mm (4-1/8 inch) Aluminum	GG20240X082
	Stainless steel	GE65853X062
	210 mm (8-1/4 inch) Aluminum	GG20243X012
	Stainless steel	GE65853X072
	Rotary [Kit contains feedback assembly, pointer assembly, travel indicator scale and M3 machine pan head screws qty.2]. Stainless steel kits only for use with stainless steel mounting kits.	
	Aluminum	GE71982X012
	Stainless steel	GE71982X022
11	Mounting Shield Kit [kit contains shield, qty. 3 and machine screws, qty. 6]	GG05242X022
12*	Gasket/Seal Kit, for use with GX actuator [kit contains insulating gasket (key 287) and seal (key 288)]	GE45468X012

## Parts List

### Note

Part numbers are shown for recommended spares only. For part numbers not shown, contact your Emerson Process Management sales office.

Parts with footnote numbers are available in parts kits; see footnote information at the bottom of the page.

Key	Description	Part Number
-----	-------------	-------------

## Housing (see figure 8-2 and 8-4) DVC6200f and DVC6205f

1	Housing <sup>(7)</sup>	
11	Drive Screw (2 req'd) (DVC6205f only)	
20	Shield (DVC6205f only)	
52	Vent, plastic <sup>(2)</sup>	
74	Mounting Bracket (DVC6205f only)	
248	Screw, hex head (4 req'd) (DVC6205f only)	
249	Screw, hex head (4 req'd) (DVC6205f only)	
250	Spacer (4 req'd) (DVC6205f only)	
267	Standoff (2 req'd) (DVC6205f only)	
271	Screen <sup>(7)</sup>	
287	Gasket, Housing A only (used for GX actuator) (DVC6200f only)	
288	Seal, Housing A only (used for GX actuator) (DVC6200f only)	

## Common Parts (see figure 8-2, 8-3, and 8-4) DVC6200f and DVC6205f

16*	O-ring <sup>(1)</sup> (3 req'd)	
29	Warning label, for use only with LCIE hazardous area classifications	
33	Mach Screw, pan hd, SST <sup>(2)</sup> (3 req'd)	
38	Cap Screw, hex socket, SST <sup>(2)(6)</sup> (3 req'd)	
43*	Cover Assembly (includes cover screws)	
	Standard	38B9580X022
	Extreme temperature option (fluorosilicone elastomers)	38B9580X032
48	Nameplate	
49	Screw, self tapping (2 req'd) <sup>(6)</sup>	
61	Pipe Plug, hex socket <sup>(6)</sup>	
	Housing A with relay C (2 req'd) (used for GX actuator)	
	Housing A with relay B (1 req'd) (used for GX actuator)	
	Housing B with relay B and C (1 req'd) (used for all actuators except GX)	
	Not required for relay A	
63	Lithium grease (not furnished with the instrument)	
64	Zinc based anti-seize compound (not furnished with the instrument)	
65	Lubricant, silicone sealant (not furnished with the instrument)	
154	Retaining Ring <sup>(2)</sup> (3 req'd)	
236	Screen (required for relay B and C only) <sup>(7)</sup>	
237	Module Base Seal <sup>(1)</sup>	

\*Recommended spare

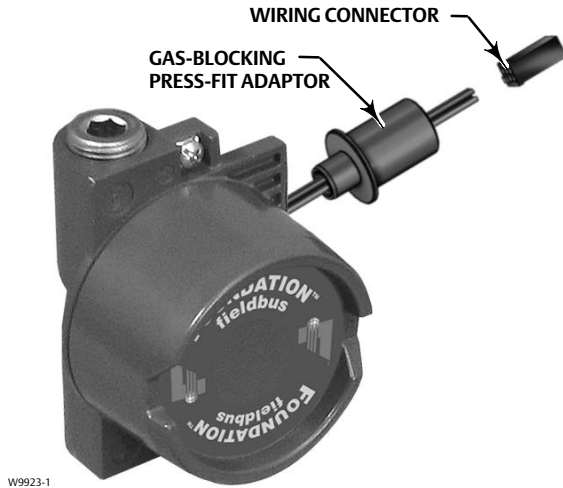
1. Available in the Elastomer Spare Parts Kit

2. Available in the Small Hardware Spare Parts Kit

6. Available in the Spare Module Base Assembly Kit

7. Available in the Spare Housing Assembly Kit

Figure 8-1. Terminal Box of Natural Gas Certified FIELDVUE DVC6200f Digital Valve Controller



Key Description

## Module Base (see figure 8-2 and 8-4)

DVC6200f and DVC6205f

- 2 Module Base<sup>(6)</sup>
- 11 Drive Screw<sup>(6)</sup> (2 req'd)
- 12 O-ring<sup>(1)</sup>
- 19 Label, Shield Assembly<sup>(6)</sup>
- 61 Pipe Plug, hex socket<sup>(6)</sup> (3 req'd)
- 243 Slotted Pin (flame arrestor)<sup>(6)</sup> (3 req'd)

## I/P Converter Assembly (see figure 8-2 and 8-4)

DVC6200f and DVC6205f

- 23 Cap Screw, hex socket, SST<sup>(2)(8)</sup> (4 req'd)
- 39\* O-ring<sup>(1)(3)(5)</sup>
- 41 I/P Converter<sup>(5)</sup>
- 169 Shroud<sup>(5)(8)</sup> (not shown, see figure 7-4)
- 210\* Boot, nitrile<sup>(1)(5)</sup> (2 req'd) (see figure 7-4)
- 231\* Seal Screen<sup>(1)(3)(5)</sup>

\* Recommended spare

- 1. Available in the Elastomer Spare Parts Kit
- 2. Available in the Small Hardware Spare Parts Kit
- 3. Available in the Seal Screen Kit
- 4. Available in the Terminal Box Kit
- 5. Available in the I/P Converter Kit
- 6. Available in the Spare Module Base Assembly Kit
- 8. Available in the Spare Shroud Kit

Key Description Part Number

## Relay (see figure 8-2 and 8-4)

DVC6200f and DVC6205f

24\* Relay Assembly, (includes shroud, relay seal, mounting screws)

### Standard (nitrile elastomers)

#### Standard Bleed

#### Housing A (used for GX actuator)

- Single-acting direct (relay C) 38B5786X182
- Single-acting reverse (relay B) 38B5786X172

#### Housing B (used for all actuators except GX)

- Single-acting direct (relay C) 38B5786X132
- Double-acting (relay A) 38B5786X052
- Single-acting reverse (relay B) 38B5786X092

#### Low Bleed

#### Housing A (used for GX actuator)

- Single-acting direct (relay C) 38B5786X202
- Single-acting reverse (relay B) 38B5786X192

#### Housing B (used for all actuators except G)

- Single-acting direct (relay C) 38B5786X152
- Double-acting (relay A) 38B5786X072
- Single-acting reverse (relay B) 38B5786X112

### Extreme Temperature option (fluorosilicone elastomers)

#### Standard Bleed

- Single-acting direct (relay C) 38B5786X142
- Double-acting (relay A) 38B5786X032
- Single-acting reverse (relay B) 38B5786X102

#### Low Bleed

- Single-acting direct (relay C) 38B5786X162
- Double-acting (relay A) 38B5786X082
- Single-acting reverse (relay B) 38B5786X122

## Loop Connections Terminal Box (see figure 8-2 and 8-4)

DVC6200f and DVC6205f

- 4 Terminal Box Cap
- 34\* O-ring<sup>(1)(4)</sup>
- 36\* O-ring<sup>(1)(4)</sup>
- 58 Set Screw, hex socket, SST<sup>(2)</sup>
- 72 Cap Screw, hex socket, SST<sup>(2)</sup>
- 164 Terminal Box Assembly

Key	Description	Part Number	Key	Description	Part Number
-----	-------------	-------------	-----	-------------	-------------

## Feedback Connections Terminal Box (see figure 8-4)

### DVC6205f

4	Terminal Box Cap	
34*	O-ring <sup>(1)(4)</sup>	
36*	O-ring <sup>(1)(4)</sup>	
58	Set Screw, hex socket, SST <sup>(2)</sup>	
62	Pipe Plug, hex hd, SST	
64	Anti-seize compound (not furnished with the instrument)	
262	Adapter	
263*	O-ring	
	Standard	1F463606992
	Extreme temperature option, (fluorosilicone)	1F4636X0092
264	Terminal Box Assembly, remote	

## PWB Assembly (see figure 8-2 and 8-4)

### DVC6200f and DVC6205f

---

#### Note

Contact your Emerson Process Management sales office if a replacement PWB is needed.

---

50*	PWB Assembly	
	Standard Control	
	Fieldbus Diagnostics	
	Advanced Diagnostics	
	Performance Diagnostic	
	Fieldbus Control	
	Fieldbus Diagnostics	
	Advanced Diagnostics	
	Performance Diagnostics	
	Fieldbus Logic	
	Fieldbus Diagnostics	
	Advanced Diagnostics	
	Performance Diagnostics	

## Pressure Gauges, Pipe Plugs, or Tire Valve Assemblies (see figure 8-3)

### DVC6200f and DVC6205f

47*	Pressure Gauge, nickel-plated brass case, brass connection	
	Double-acting (3 req'd); Single-acting (2 req'd)	
	PSI/MPa Gauge Scale	
	To 60 PSI, 0.4 MPa	18B7713X042
	To 160 PSI, 1.1 MPa	18B7713X022
	PSI/bar Gauge Scale	
	To 60 PSI, 4 bar	18B7713X032
	To 160 PSI, 11 bar	18B7713X012
	PSI/KG/CM <sup>2</sup> Gauge Scale	
	To 60 PSI, 4 KG/CM <sup>2</sup>	18B7713X072
	To 160 PSI, 11 KG/CM <sup>2</sup>	18B7713X082
66	Pipe Plug, hex hd	
	For double-acting and single-acting direct w/gauges (none req'd)	
	For single-acting reverse w/gauges (1 req'd)	
	For all units w/o gauges (3 req'd)	
67	Tire Valve, used with Tire Valve Option only	
	Double-acting (3 req'd); Single-acting (2 req'd)	

## DVC6215 Feedback Unit (see figure 8-5)

65	Lubricant, silicone sealant (not furnished with the instrument)	
256*	O-Ring, fluorosilicone	1K1810X0122

Figure 8-2. FIELDVUE DVC6200f Digital Valve Controller Housing Assembly

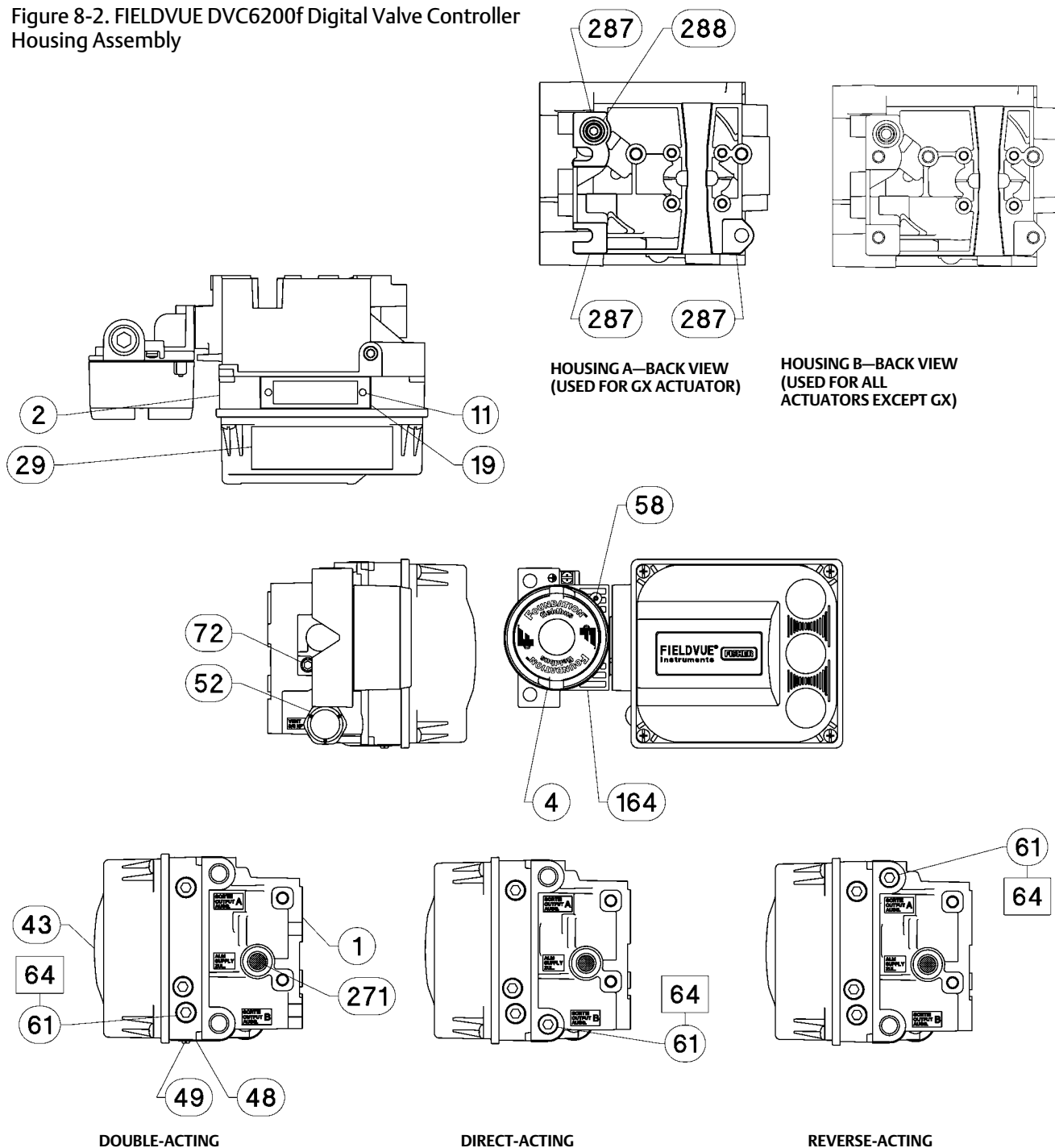
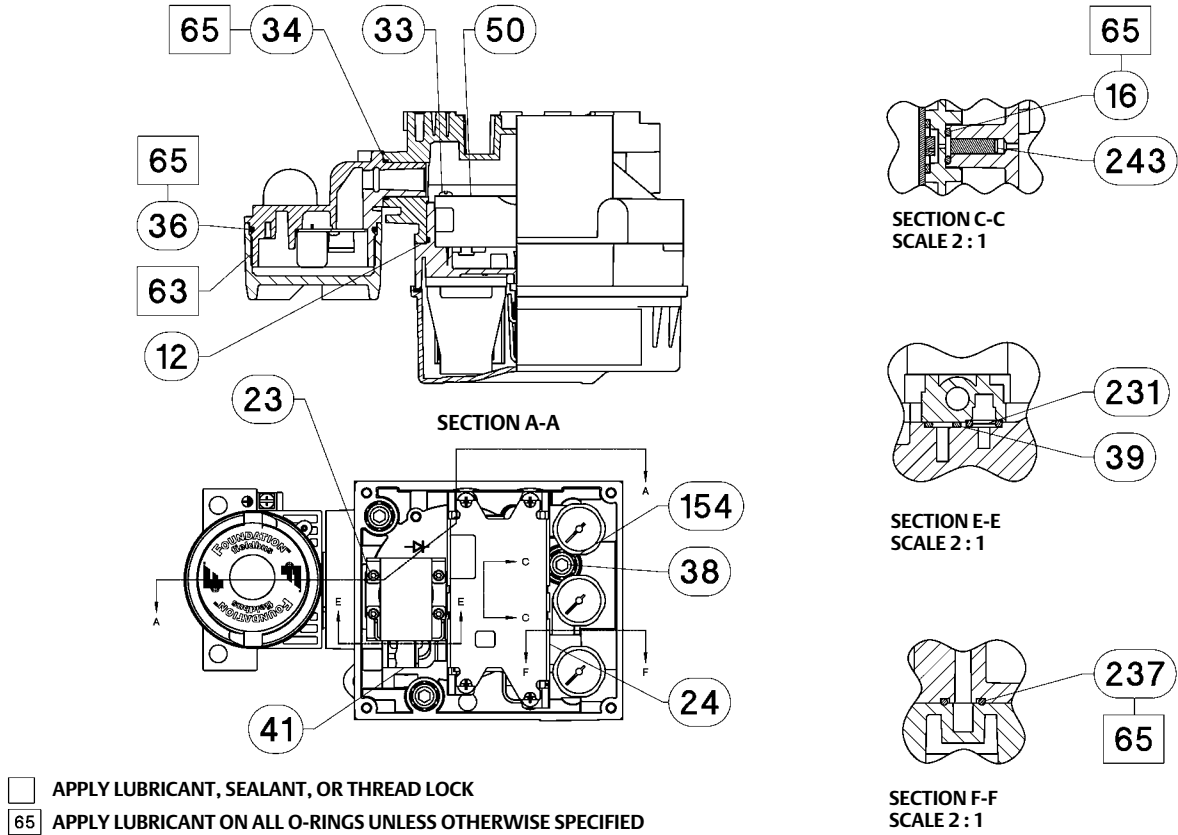
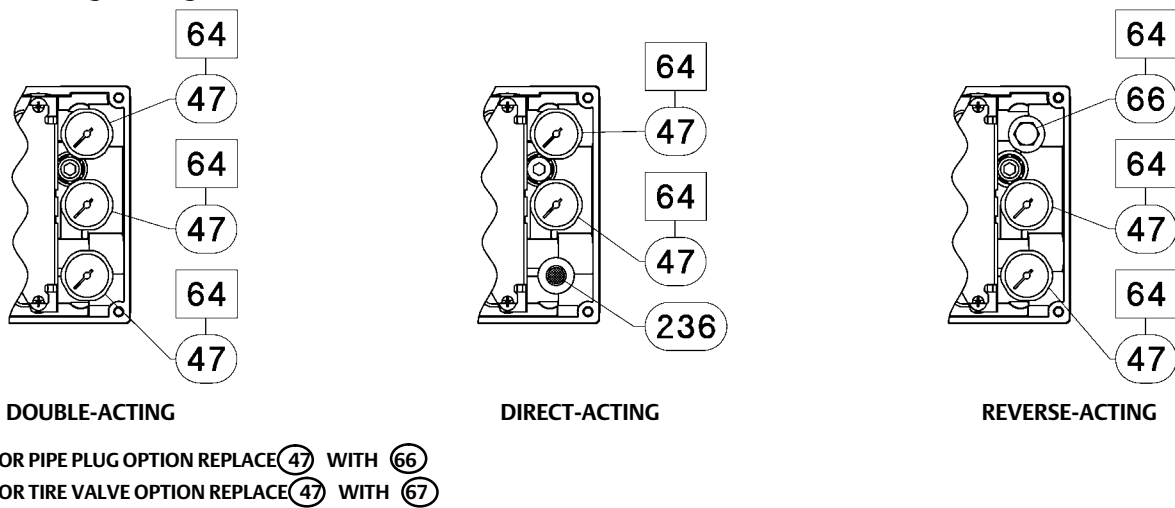


Figure 8-2. FIELDVUE DVC6200f Digital Valve Controller Housing Assembly (continued)



GE40185 sheet 2 of 3

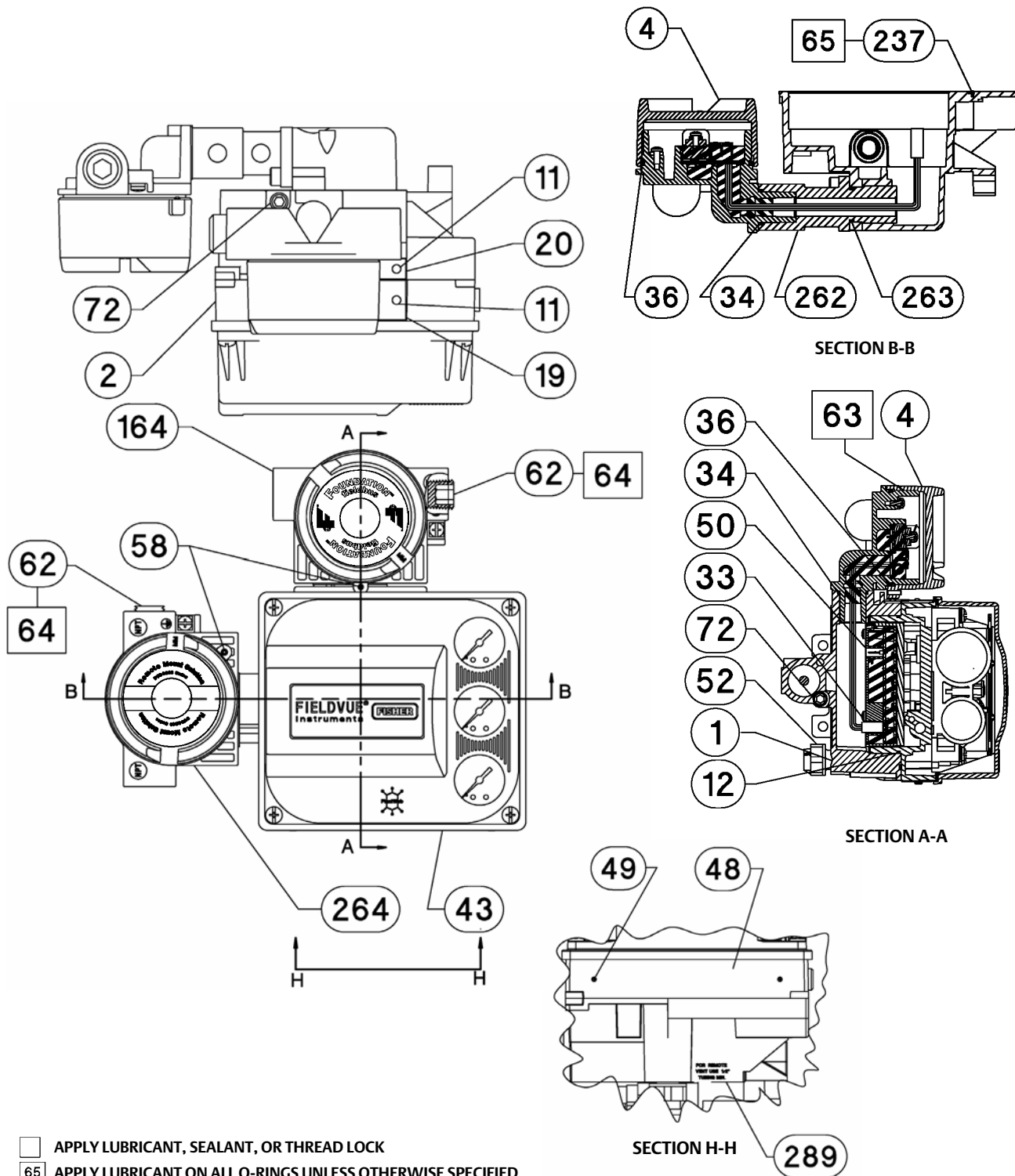
Figure 8-3. Gauge Configuration



GE40185 sheet 3 of 3

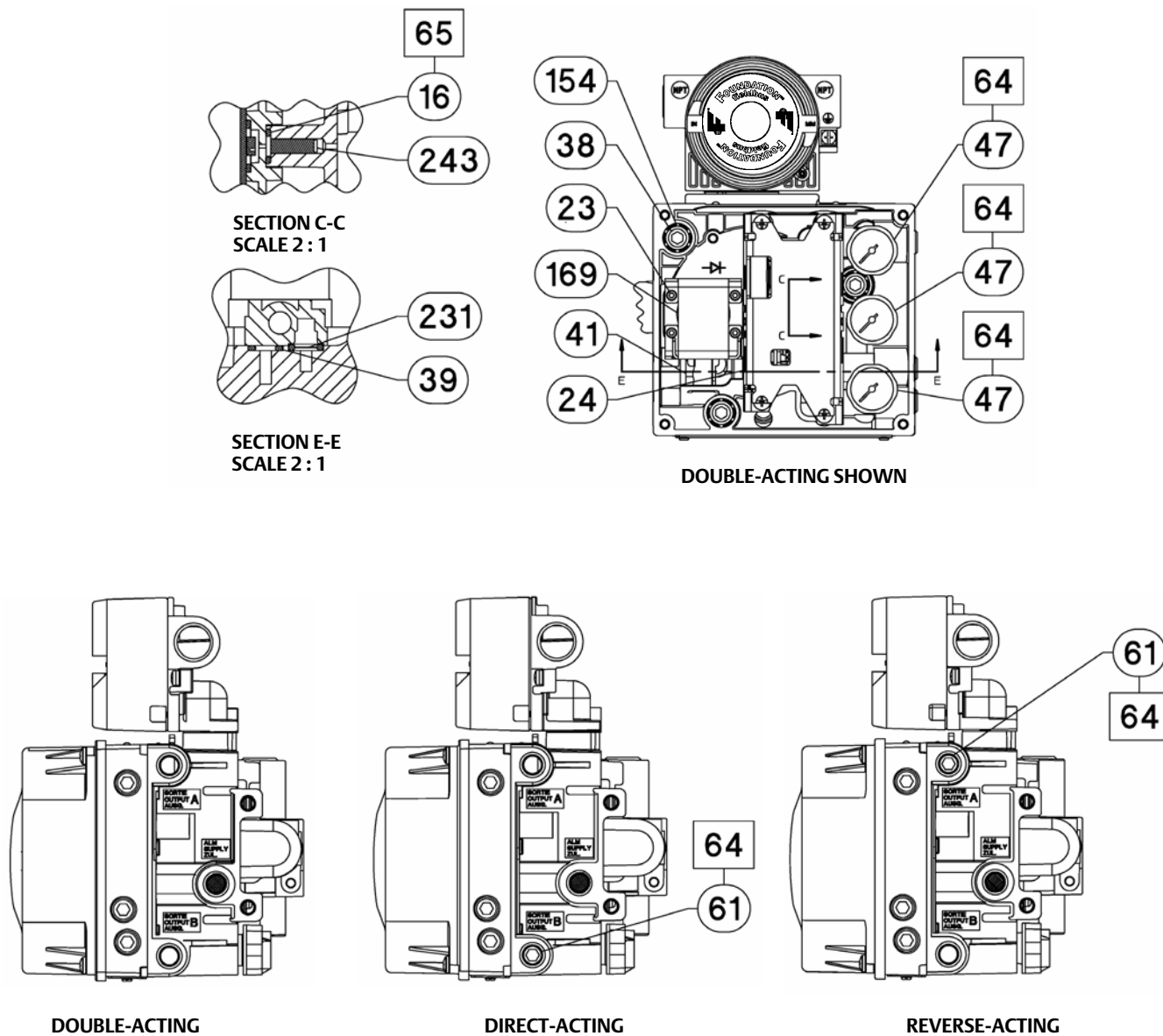


Figure 8-4. FIELDVUE DVC6205f Base Unit Housing Assembly



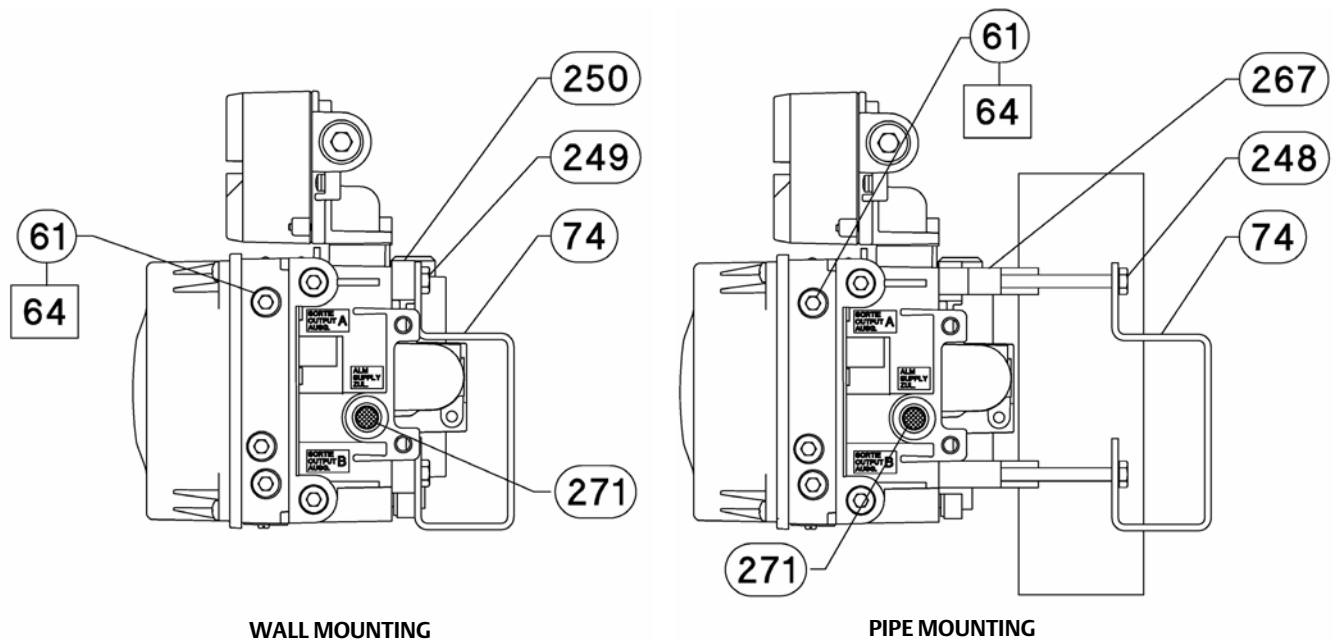
GE40181

Figure 8-4. FIELDVUE DVC6205f Base Unit Housing Assembly (continued)



GE40181

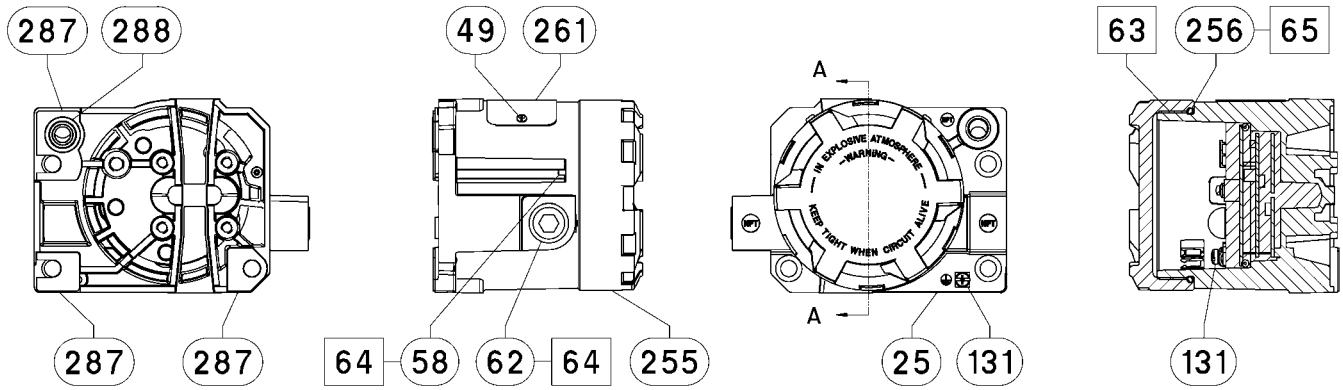
Figure 8-4. FIELDVUE DVC6205f Base Unit Housing Assembly (continued)



- APPLY LUBRICANT, SEALANT, OR THREAD LOCK
- 65 APPLY LUBRICANT ON ALL O-RINGS UNLESS OTHERWISE SPECIFIED

GE40181

Figure 8-5. FIELDVUE DVC6215 Remote Feedback Assembly



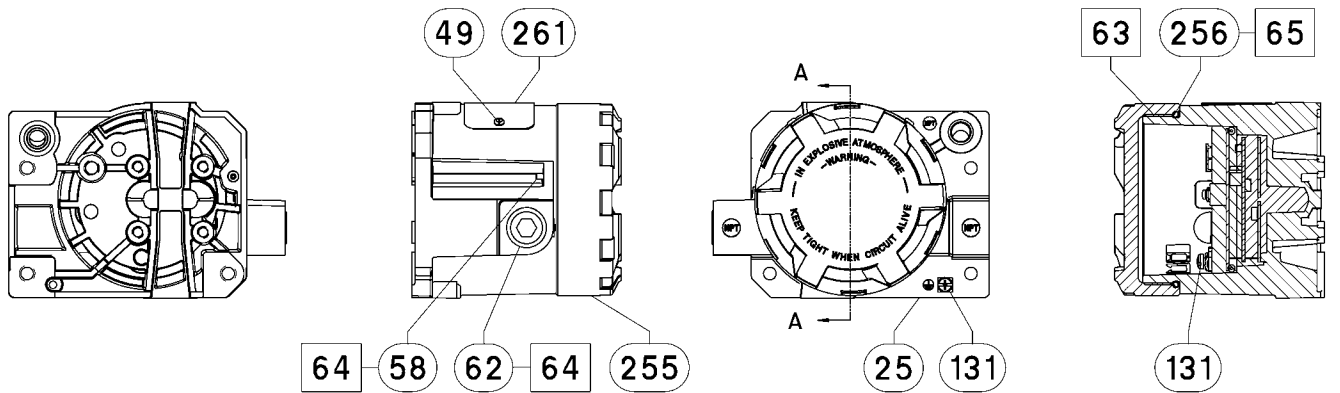
SECTION A-A

PARTS NOT SHOWN: 158

□ APPLY LUBRICANT/SEALANT

GE46670-B

**HOUSING A  
(USED FOR GX ACTUATOR)**



SECTION A-A

PARTS NOT SHOWN: 158

□ APPLY LUBRICANT/SEALANT

GE40178-B

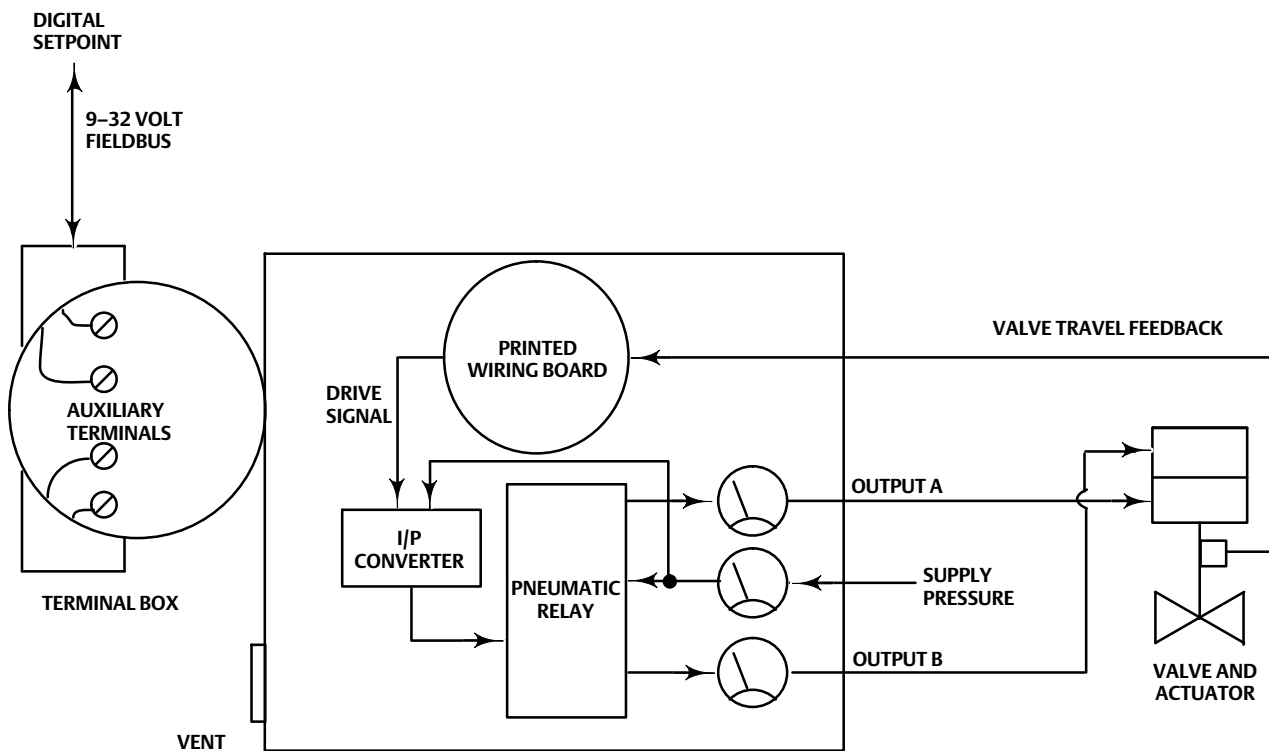
**HOUSING B  
(USED FOR ALL ACTUATORS EXCEPT GX)**

## Appendix A Principle of Operation

### Digital Valve Controller Operation

The DVC6200f digital valve controller has a single module base that may be easily replaced in the field without disconnecting field wiring or tubing. The master module contains the following submodules: current-to-pneumatic (I/P) converter, printed wiring board assembly, and pneumatic relay. The relay position is detected by sensing the magnet on the relay beam via a detector on the printed wiring board. This sensor is used for the minor loop feedback (MLFB) reading. The master module can be rebuilt by replacing the submodules. See figures A-1 and A-2.

Figure A-1. FIELDVUE DVC6200f Digital Valve Controller Block Diagram



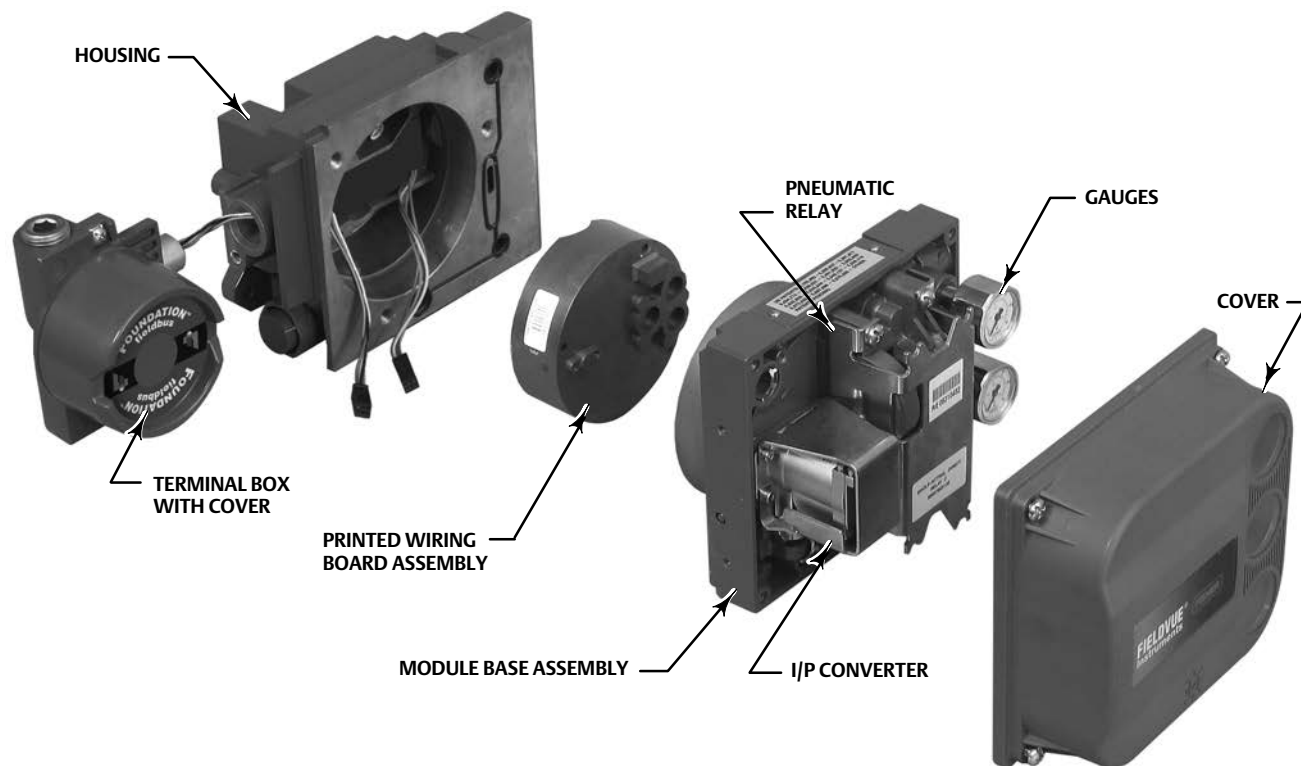
E1376

The DVC6200f digital valve controller is a bus-powered instrument that provides a control valve position in response to a digital setpoint from the control room. The following describes a direct acting DVC6200f digital valve controller mounted on a sliding-stem piston actuator, where the valve is closed with zero power to the instrument.

The setpoint is routed into the terminal box through a single pair of wires and then to the printed wiring board assembly submodule where it is read by the microprocessor, processed by a digital algorithm, and converted into an analog I/P drive signal.

As the setpoint increases, the drive signal to the I/P converter increases, increasing the I/P output pressure. The I/P output pressure is routed to the pneumatic relay submodule. The relay is also connected to supply pressure and amplifies the small pneumatic signal from the I/P converter. The relay accepts the amplified pneumatic signal and provides two output pressures. With relay A, an increasing setpoint will produce increasing pressure at output A and decreasing pressure at output B. With relay B an increasing setpoint will produce decreasing pressure at output B (output A is not available). With relay C an increasing setpoint will produce an increasing pressure on output A (output B is not available). The output A pressure is used for double-acting and single-acting direct applications. The output B pressure is used for double-acting and single-acting reverse applications.

Figure A-2. FIELDVUE DVC6200f Digital Valve Controller Assembly



W9925-1

As shown in figure A-1, the increased output A pressure causes the actuator stem to move upward. The stem position is sensed by the travel sensor. The stem continues to move upward until the correct stem position is attained. At this point the printed wiring board assembly stabilizes the I/P drive signal. This prevents any further increase in the pneumatic signal from the I/P converter.

As the digital setpoint decreases, the drive signal to the I/P converter submodule decreases, decreasing the I/P output pressure. The pneumatic relay decreases the output A pressure and increases the output B pressure. The stem moves downward until the correct position is attained. At this point the printed wiring board assembly stabilizes the I/P drive signal. This prevents any decrease in the pneumatic signal from the I/P converter.

## Appendix B Field Communicator Menu Structure

This section contains the Field Communicator menu trees for the transducer block and the resource block. It also contains Fast Key Sequence tables with coordinates to help locate the function/variable on the appropriate menu tree.

Transducer Block (TB) Menu Structure

Parameter Label	Menu Structure
A Minus B	TB > Device Variables > Pressures > A Minus B
Actual Travel	TB > Configure/Setup > Detailed Setup > Valve and Actuator > Valve > Actual Travel
Actuator Fail Action	TB > Configure/Setup > Detailed Setup > Valve and Actuator > Actuator > Actuator Fail Action
Actuator Manufacturer	TB > Configure/Setup > Detailed Setup > Valve and Actuator > Actuator > Actuator Manufacturer
Actuator Model Number	TB > Configure/Setup > Detailed Setup > Valve and Actuator > Actuator > Actuator Model Number
Actuator Serial Number	TB > Configure/Setup > Detailed Setup > Valve and Actuator > Actuator > Actuator Serial Number
Actuator Size	TB > Configure/Setup > Detailed Setup > Valve and Actuator > Actuator > Actuator Size
Actuator Style	TB > Configure/Setup > Detailed Setup > Valve and Actuator > Actuator > Actuator Style
Advise Active	TB > Configure/Setup > Detailed Setup > Alert Handling > Simulate Active Alerts > Advise Active
Advise Enable	TB > Configure/Setup > Detailed Setup > Alerts > PlantWeb Alert Enable > Advise Enable
Advise Suppress	TB > Configure/Setup > Detailed Setup > Alerts > PlantWeb Alert Reporting > Advise Suppress
Air	TB > Configure/Setup > Detailed Setup > Valve and Actuator > Actuator > Air
Alert Conditions	TB > Device Diagnostics > Alert Conditions
Alert Key	TB > Configure/Setup > Detailed Setup > Alerts > Configuration Alerts > Alert Key
Area Units	TB > Configure/Setup > Detailed Setup > Instrument > Area Units
Block Configuration Error	TB > Device Diagnostics > Status > Block Error > Block Configuration Error
Blocks Set to Defaults Alert	TB > Configure/Setup > Detailed Setup > Alerts > Configuration Alerts > Blocks Set to Defaults > Block Set to Defaults Alert
Blocks Set to Defaults Alert Enable	TB > Configure/Setup > Detailed Setup > Alerts > Configuration Alerts > Blocks Set to Defaults > Block Set to Defaults Alert Enable
Calibration Date	TB > Configure/Setup > Detailed Setup > Instrument > Calibration Date
Calibration Location	TB > Configure/Setup > Detailed Setup > Instrument > Calibration Location
Calibration Person	TB > Configure/Setup > Detailed Setup > Instrument > Calibration Person
Custom Characterization Table	TB > Configure/Setup > Detailed Setup > Response Control > Custom Characterization Table
Cycle Counter	TB > Configure/Setup > Detailed Setup > Alerts > Travel History Alerts > Cycle Counter > Cycle Counter
	TB > Device Variables > Cycle Counter
Cycle Counter Alert	TB > Configure/Setup > Detailed Setup > Alerts > Travel History Alerts > Cycle Counter > Cycle Counter Alert
Cycle Counter Alert Enable	TB > Configure/Setup > Detailed Setup > Alerts > Travel History Alerts > Cycle Counter > Cycle Counter Alert Enable
Cycle Counter Alert Point	TB > Configure/Setup > Detailed Setup > Alerts > Travel History Alerts > Cycle Counter > Cycle Counter Alert Point
Cycle Counter Deadband	TB > Configure/Setup > Detailed Setup > Alerts > Travel History Alerts > Cycle Counter > Cycle Counter Deadband
Device Needs Maintenance Now	TB > Device Diagnostics > Status > Block Error > Device Needs Maintenance Now
Drive Current Alert	TB > Device Diagnostics > Status > Self Test Status > Drive Current Alert
	TB > Configure/Setup > Detailed Setup > Alerts > Elect Alerts > Drive Current > Drive Current Alert
Drive Current Alert Enable	TB > Configure/Setup > Detailed Setup > Alerts > Elect Alerts > Drive Current > Drive Current Alert Enable
Drive Current Alert Point	TB > Configure/Setup > Detailed Setup > Alerts > Elect Alerts > Drive Current > Drive Current Alert Point
Drive Current Alert Time	TB > Configure/Setup > Detailed Setup > Alerts > Elect Alerts > Drive Current > Drive Current Alert Time
Drive Current Manual Recovery	TB > Configure/Setup > Detailed Setup > Alerts > Elect Alerts > Drive Current > Drive Current Manual Recovery
Drive Current Shutdown	TB > Configure/Setup > Detailed Setup > Alerts > Elect Alerts > Drive Current > Drive Current Shutdown
Drive Signal	TB > Configure/Setup > Detailed Setup > Alerts > Elect Alerts > Drive Signal > Drive Signal
	TB > Device Variables > Drive Signal
Drive Signal Alert	TB > Configure/Setup > Detailed Setup > Alerts > Elect Alerts > Drive Signal > Drive Signal Alert
Drive Signal Alert Enable	TB > Configure/Setup > Detailed Setup > Alerts > Elect Alerts > Drive Signal > Drive Signal Alert Enable
Effective Area	TB > Configure/Setup > Detailed Setup > Valve and Actuator > Actuator > Effective Area
Failed Active	TB > Configure/Setup > Detailed Setup > Alert Handling > Simulate Active Alerts > Failed Active
Failed Enable	TB > Configure/Setup > Detailed Setup > Alerts > PlantWeb Alert Enable > Failed Enable
Failed Suppress	TB > Configure/Setup > Detailed Setup > Alerts > PlantWeb Alert Reporting > Failed Suppress
Feedback Connection	TB > Configure/Setup > Detailed Setup > Valve and Actuator > Actuator > Feedback Connection
Flow Direction	TB > Configure/Setup > Detailed Setup > Valve and Actuator > Trim > Flow Direction
Flow Tends To	TB > Configure/Setup > Detailed Setup > Valve and Actuator > Trim > Flow Tends To
I/O Processor Alert	TB > Configure/Setup > Detailed Setup > Alerts > Elect Alerts > Processor Impaired > I/O Processor Alert
I/O Processor Alert Enable	TB > Configure/Setup > Detailed Setup > Alerts > Elect Alerts > Processor Impaired > I/O Processor Alert Enable
I/O Processor Man Recovery	TB > Configure/Setup > Detailed Setup > Alerts > Elect Alerts > Processor Impaired > I/O Processor Man Recovery
I/O Processor Shutdown	TB > Configure/Setup > Detailed Setup > Alerts > Elect Alerts > Processor Impaired > I/O Processor Shutdown
Inlet Pressure	TB > Configure/Setup > Detailed Setup > Valve and Actuator > Valve > Inlet Pressure

-Continued-



Transducer Block (TB) Menu Structure (Continued)

Parameter Label	Menu Structure
Input Characterization	TB > Configure/Setup > Detailed Setup > Response Control > Input Characterization TB > Device Variables > Input Characterization
Integrator Limited Hi	TB > Device Diagnostics > Status > Self Test Status > Integrator Limited Hi
Integrator Limited Lo	TB > Device Diagnostics > Status > Self Test Status > Integrator Limited Lo
Integrator Suspended	TB > Device Diagnostics > Status > Self Test Status > Integrator Suspended
IOP Failure	TB > Device Diagnostics > Status > Self Test Status > IOP Failure
Last Calibration Type	TB > Configure/Setup > Detailed Setup > Instrument > Last Calibration Type
Leak Class	TB > Configure/Setup > Detailed Setup > Valve and Actuator > Trim > Leak Class
Length Units	TB > Configure/Setup > Detailed Setup > Instrument > Length Units
Lever Arm Length	TB > Configure/Setup > Detailed Setup > Valve and Actuator > Actuator > Lever Arm Length
Lever Style	TB > Configure/Setup > Detailed Setup > Valve and Actuator > Actuator > Lever Style
Lost Static Data	TB > Device Diagnostics > Status > Block Error > Lost Static Data
Lower Bench Set	TB > Configure/Setup > Detailed Setup > Valve and Actuator > Actuator > Lower Bench Set
MAI Channel 1	TB > Configure/Setup > Detailed Setup > MAI Channel Map > MAI Channel 1
MAI Channel 2	TB > Configure/Setup > Detailed Setup > MAI Channel Map > MAI Channel 2
MAI Channel 3	TB > Configure/Setup > Detailed Setup > MAI Channel Map > MAI Channel 3
MAI Channel 4	TB > Configure/Setup > Detailed Setup > MAI Channel Map > MAI Channel 4
MAI Channel 5	TB > Configure/Setup > Detailed Setup > MAI Channel Map > MAI Channel 5
MAI Channel 6	TB > Configure/Setup > Detailed Setup > MAI Channel Map > MAI Channel 6
MAI Channel 7	TB > Configure/Setup > Detailed Setup > MAI Channel Map > MAI Channel 7
MAI Channel 8	TB > Configure/Setup > Detailed Setup > MAI Channel Map > MAI Channel 8
Maint Active	TB > Configure/Setup > Detailed Setup > Alert Handling > Simulate Active Alerts > Maint Active
Maintenance Enable	TB > Configure/Setup > Detailed Setup > Alerts > PlantWeb Alert Enable > Maintenance Enable
Maintenance Suppress	TB > Configure/Setup > Detailed Setup > Alerts > PlantWeb Alert Reporting > Maintenance Suppress
Maximum Recorded Supply Pressure	TB > Device Diagnostics > Device Record > Maximum Recorded Supply Pressure
Maximum Recorded Supply Pressure Time	TB > Device Diagnostics > Device Record > Maximum Recorded Supply Pressure Time
Maximum Recorded Temperature	TB > Device Diagnostics > Device Record > Maximum Recorded Temperature
Maximum Recorded Temperature Time	TB > Device Diagnostics > Device Record > Maximum Recorded Temperature Time
Maximum Supply Pressure	TB > Configure/Setup > Detailed Setup > Instrument > Maximum Supply Pressure
Minimum Recorded Supply Pressure	TB > Device Diagnostics > Device Record > Minimum Recorded Supply Pressure
Minimum Recorded Supply Pressure Time	TB > Device Diagnostics > Device Record > Minimum Recorded Supply Pressure Time
Minimum Recorded Temperature	TB > Device Diagnostics > Device Record > Minimum Recorded Temperature
Minimum Recorded Temperature Time	TB > Device Diagnostics > Device Record > Minimum Recorded Temperature Time
MLFB Error	TB > Device Diagnostics > Status > Self Test Status > MLFB Error
Nominal Supply Pressure	TB > Configure/Setup > Detailed Setup > Valve and Actuator > Actuator > Nominal Supply Pressure
Out of Service	TB > Device Diagnostics > Status > Block Error > Out of Service
Outlet Pressure	TB > Configure/Setup > Detailed Setup > Valve and Actuator > Valve > Outlet Pressure
Outblock Selection	TB > Configure/Setup > Detailed Setup > Response Control > Outblock Selection
Output Block Timeout	TB > Configure/Setup > Detailed Setup > Alerts > Configuration Alerts > Output Block Timeout
Output Block Timeout Alert	TB > Configure/Setup > Detailed Setup > Alerts > Configuration Alerts > Output Block Timeout > Output Block Timeout Alert
Output Block Timeout Alert Enable	TB > Configure/Setup > Detailed Setup > Alerts > Configuration Alerts > Output Block Timeout > Output Block Timeout Alert Enable
Output Block Timeout Manual Recovery	TB > Configure/Setup > Detailed Setup > Alerts > Configuration Alerts > Output Block Timeout > Output Block Timeout Manual Recovery
Output Block Timeout Shutdown	TB > Configure/Setup > Detailed Setup > Alerts > Configuration Alerts > Output Block Timeout > Output Block Timeout Shutdown
Packing Type	TB > Configure/Setup > Detailed Setup > Valve and Actuator > Valve > Packing Type
PD Inside Status	TB > Configure/Setup > Device Variables > PD Inside Status
PD Run	TB > Configure/Setup > Detailed Setup > Alerts > Performance Alerts > PD Run

-Continued-

Transducer Block (TB) Menu Structure (Continued)

Parameter Label	Menu Structure
Performance Critical Alert	TB > Configure/Setup > Detailed Setup > Alerts > Performance Alerts > Performance Critical Alert
Performance Critical Alert Enable	TB > Configure/Setup > Detailed Setup > Alerts > Performance Alerts > Performance Critical Alert Enable
Performance Information Alert	TB > Configure/Setup > Detailed Setup > Alerts > Performance Alerts > Performance Information Alert
Performance Information Alert Enable	TB > Configure/Setup > Detailed Setup > Alerts > Performance Alerts > Performance Information Alert Enable
Performance Reduced Alert	TB > Configure/Setup > Detailed Setup > Alerts > Performance Alerts > Performance Reduced Alert
Performance Reduced Alert Enable	TB > Configure/Setup > Detailed Setup > Alerts > Performance Alerts > Performance Reduced Alert Enable
Performance Tuner	TB > Configure/Setup > Basic Setup > Performance Tuner
	TB > Configure/Setup > Detailed Setup > Response Control > Travel Tuning > Performance Tuner
PlantWeb Alert Simulate	TB > Configure/Setup > Detailed Setup > Alert Handling > PlantWeb Alert Simulate
Port Diameter	TB > Configure/Setup > Detailed Setup > Valve and Actuator > Trim > Port Diameter
Port Type	TB > Configure/Setup > Detailed Setup > Valve and Actuator > Trim > Port Type
Pressure A	TB > Device Variables > Pressures > Pressure A
Pressure A Sensor Alert	TB > Configure/Setup > Detailed Setup > Alerts > Sensor Alerts > Pressure Sensors > Pressure A Sensor Alert
Pressure A Sensor Alert Enable	TB > Configure/Setup > Detailed Setup > Alerts > Sensor Alerts > Pressure Sensors > Pressure A Sensor Alert Enable
Pressure A Sensor Failure	TB > Device Diagnostics > Status > Self Test Status > Pressure A Sensor Error
Pressure A Sensor Manual Recovery	TB > Configure/Setup > Detailed Setup > Alerts > Sensor Alerts > Pressure Sensors > Pressure A Sensor Manual Recovery
Pressure A Sensor Shutdown	TB > Configure/Setup > Detailed Setup > Alerts > Sensor Alerts > Pressure Sensors > Pressure A Sensor Shutdown
Pressure B	TB > Device Variables > Pressures > Pressure B
Pressure B Sensor Alert	TB > Configure/Setup > Detailed Setup > Alerts > Sensor Alerts > Pressure Sensors > Pressure B Sensor Alert
Pressure B Sensor Alert Enable	TB > Configure/Setup > Detailed Setup > Alerts > Sensor Alerts > Pressure Sensors > Pressure B Sensor Alert Enable
Pressure B Sensor Failure	TB > Device Diagnostics > Status > Self Test Status > Pressure B Sensor Error
Pressure Cutoff Closed	TB > Configure/Setup > Detailed Setup > Response Control > Travel Pressure Control > Pressure Cutoff Closed
Pressure Cutoff Open	TB > Configure/Setup > Detailed Setup > Response Control > Travel Pressure Control > Pressure Cutoff Open
Pressure Fallback Alert	TB > Configure/Setup > Detailed Setup > Alerts > Sensor Alerts > Pressure Fallback > Pressure Fallback Alert
Pressure Fallback Alert Enable	TB > Configure/Setup > Detailed Setup > Alerts > Sensor Alerts > Pressure Fallback > Pressure Fallback Alert Enable
Pressure Integral Dead Zone	TB > Configure/Setup > Detailed Setup > Response Control > Pressure Tuning > Pressure Integral Dead Zone
Pressure Integral Gain	TB > Configure/Setup > Detailed Setup > Response Control > Pressure Tuning > Pressure Integral Gain
Pressure Integral Limit Hi	TB > Configure/Setup > Detailed Setup > Response Control > Pressure Tuning > Pressure Integral Limit Hi
Pressure Integral Limit Lo	TB > Configure/Setup > Detailed Setup > Response Control > Pressure Tuning > Pressure Integral Limit Lo
Pressure MLFB Gain	TB > Configure/Setup > Detailed Setup > Response Control > Pressure Tuning > Pressure MLFB Gain
Pressure Proportional Gain	TB > Configure/Setup > Detailed Setup > Response Control > Pressure Tuning > Pressure Proportional Gain
Pressure Range Hi	TB > Configure/Setup > Detailed Setup > Response Control > Travel Pressure Control > Pressure Range Hi
Pressure Range Lo	TB > Configure/Setup > Detailed Setup > Response Control > Travel Pressure Control > Pressure Range Lo
Pressure Tuning Set	TB > Configure/Setup > Detailed Setup > Response Control > Pressure Tuning > Pressure Tuning Set
Pressure Units	TB > Configure/Setup > Detailed Setup > Instrument > Pressure Units
Processor Alert	TB > Configure/Setup > Detailed Setup > Alerts > Elect Alerts > Processor Impaired > Processor Alert
Processor Alert Enable	TB > Configure/Setup > Detailed Setup > Alerts > Elect Alerts > Processor Impaired > Processor Alert Enable
Program Memory Alert	TB > Configure/Setup > Detailed Setup > Alerts > Elect Alerts > Processor Impaired > Program Memory Alert
Program Memory Alert Enable	TB > Configure/Setup > Detailed Setup > Alerts > Elect Alerts > Processor Impaired > Program Memory Alert Enable
Program Memory Manual Recovery	TB > Configure/Setup > Detailed Setup > Alerts > Elect Alerts > Processor Impaired > Program Memory Manual Recovery
Program Memory Shutdown	TB > Configure/Setup > Detailed Setup > Alerts > Elect Alerts > Processor Impaired > Program Memory Shutdown
Protection	TB > Device Variables > Protection
Proximity Hi Alert	TB > Configure/Setup > Detailed Setup > Alerts > Prox Alerts > Proximity > Proximity Hi Alert
Proximity Hi Alert Enable	TB > Configure/Setup > Detailed Setup > Alerts > Prox Alerts > Proximity > Proximity Hi Alert Enable
Proximity Hi Hi Alert	TB > Configure/Setup > Detailed Setup > Alerts > Prox Alerts > Proximity > Proximity Hi Hi Alert
Proximity Hi Hi Alert Enable	TB > Configure/Setup > Detailed Setup > Alerts > Prox Alerts > Proximity > Proximity Hi Hi Alert Enable
Proximity Lo Alert	TB > Configure/Setup > Detailed Setup > Alerts > Prox Alerts > Proximity > Proximity Lo Alert
Proximity Lo Alert Enable	TB > Configure/Setup > Detailed Setup > Alerts > Prox Alerts > Proximity > Proximity Lo Alert Enable
Proximity Lo Lo Alert	TB > Configure/Setup > Detailed Setup > Alerts > Prox Alerts > Proximity > Proximity Lo Lo Alert
Proximity Lo Lo Alert Enable	TB > Configure/Setup > Detailed Setup > Alerts > Prox Alerts > Proximity > Proximity Lo Lo Alert Enable
Push Down To	TB > Configure/Setup > Detailed Setup > Valve and Actuator > Trim > Push Down To

-Continued-

Transducer Block (TB) Menu Structure (Continued)

Parameter Label	Menu Structure
Rated Travel	TB > Configure/Setup > Detailed Setup > Valve and Actuator > Valve > Rated Travel
Relay Type	TB > Configure/Setup > Detailed Setup > Instrument > Relay Type
Seat Type	TB > Configure/Setup > Detailed Setup > Valve and Actuator > Trim > Seat Type
Setpoint	TB > Device Variables > AO Control-Pre-Char > Setpoint
Setpoint Status	TB > Device Variables > AO Control-Pre-Char > Setpoint Status
Setpoint(D)	TB > Device Variables > DO Control > Setpoint(D)
Shaft Stem Diameter	TB > Configure/Setup > Detailed Setup > Valve and Actuator > Valve > Shaft Stem Diameter
Simulate Active	TB > Device Diagnostics > Status > Block Error > Simulate Active
Simulate Jumper ON	TB > Device Diagnostics > Status > Self Test Status > Simulate Jumper ON
Spring Rate	TB > Configure/Setup > Detailed Setup > Valve and Actuator > Actuator > Spring Rate
Spring Rate Units	TB > Configure/Setup > Detailed Setup > Instrument > Spring Rate Units
Static Memory Alert	TB > Configure/Setup > Detailed Setup > Alerts > Elect Alerts > Processor Impaired > Static Memory Alert
Static Memory Alert Enable	TB > Configure/Setup > Detailed Setup > Alerts > Elect Alerts > Processor Impaired > Static Memory Alert Enable
Static Memory Manual Recovery	TB > Configure/Setup > Detailed Setup > Alerts > Elect Alerts > Processor Impaired > Static Memory Manual Recovery
Static Memory Shutdown	TB > Configure/Setup > Detailed Setup > Alerts > Elect Alerts > Processor Impaired > Static Memory Shutdown
Stroke Time Close	TB > Configure/Setup > Detailed Setup > Valve and Actuator > Reference > Stroke Time Close
Stroke Time Open	TB > Configure/Setup > Detailed Setup > Valve and Actuator > Reference > Stroke Time Open
Supply	TB > Configure/Setup > Detailed Setup > Alerts > Environment Alerts > Supply Pressure > Supply TB > Device Variables > Pressures > Supply
Supply Pressure Hi Alert	TB > Configure/Setup > Detailed Setup > Alerts > Environment Alerts > Supply Pressure > Supply Pressure Hi Alert
Supply Pressure Hi Alert Enable	TB > Configure/Setup > Detailed Setup > Alerts > Environment Alerts > Supply Pressure > Supply Pressure Hi Alert Enable
Supply Pressure Hi Alert Point	TB > Configure/Setup > Detailed Setup > Alerts > Environment Alerts > Supply Pressure > Supply Pressure Hi Alert Point
Supply Pressure Lo Alert	TB > Configure/Setup > Detailed Setup > Alerts > Environment Alerts > Supply Pressure > Supply Pressure Lo Alert
Supply Pressure Lo Alert Enable	TB > Configure/Setup > Detailed Setup > Alerts > Environment Alerts > Supply Pressure > Supply Pressure Lo Alert Enable
Supply Pressure Lo Alert Point	TB > Configure/Setup > Detailed Setup > Alerts > Environment Alerts > Supply Pressure > Supply Pressure Lo Alert Point
Supply Pressure Sensor Alert	TB > Configure/Setup > Detailed Setup > Alerts > Sensor Alerts > Pressure Sensors > Supply Pressure Sensor Alert
Supply Pressure Sensor Alert Enable	TB > Configure/Setup > Detailed Setup > Alerts > Sensor Alerts > Pressure Sensors > Supply Pressure Sensor Alert Enable
Supply Sensor Failure	TB > Device Diagnostics > Status > Self Test Status > Supply Sensor Failure
Tag Description	TB > Configure/Setup > Detailed Setup > Instrument > Tag Description
Temperature	TB > Configure/Setup > Detailed Setup > Alerts > Environment Alerts > Temperature Limit > Temperature
Temperature Hi Alert	TB > Configure/Setup > Detailed Setup > Alerts > Environment Alerts > Temperature Limit > Temperature Hi Alert
Temperature Hi Alert Enable	TB > Configure/Setup > Detailed Setup > Alerts > Environment Alerts > Temperature Limit > Temperature Hi Alert Enable
Temperature Hi Alert Point	TB > Configure/Setup > Detailed Setup > Alerts > Environment Alerts > Temperature Limit > Temperature Hi Alert Point
Temperature Lo Alert	TB > Configure/Setup > Detailed Setup > Alerts > Environment Alerts > Temperature Limit > Temperature Lo Alert
Temperature Lo Alert Enable	TB > Configure/Setup > Detailed Setup > Alerts > Environment Alerts > Temperature Limit > Temperature Lo Alert Enable
Temperature Lo Alert Point	TB > Configure/Setup > Detailed Setup > Alerts > Environment Alerts > Temperature Limit > Temperature Lo Alert Point
Temperature Sensor Alert	TB > Configure/Setup > Detailed Setup > Alerts > Sensor Alerts > Temperature Sensor > Temperature Sensor Alert
Temperature Sensor Alert Enable	TB > Configure/Setup > Detailed Setup > Alerts > Sensor Alerts > Temperature Sensors > Temperature Sensor Alert Enable
Temperature Units	TB > Configure/Setup > Detailed Setup > Instrument > Temperature Units
Travel	TB > Configure/Setup > Detailed Setup > Alerts > Prox Alerts > Travel
Travel (DeChar)	TB > Device Variables > AO Control-Pre-Char > Travel(DeChar)
Travel Accumulator	TB > Configure/Setup > Detailed Setup > Alerts > Travel History Alerts > Travel Accumulator > Travel Accumulator TB > Device Variables > Travel Accumulator
Travel Accumulator Alert	TB > Configure/Setup > Detailed Setup > Alerts > Travel History Alerts > Travel Accumulator > Travel Accumulator Alert
Travel Accumulator Alert Enable	TB > Configure/Setup > Detailed Setup > Alerts > Travel History Alerts > Travel Accumulator > Travel Accumulator Alert Enable
Travel Accumulator Alert Point	TB > Configure/Setup > Detailed Setup > Alerts > Travel History Alerts > Travel Accumulator > Travel Accumulator Alert Point
Travel Accumulator Deadband	TB > Configure/Setup > Detailed Setup > Alerts > Travel History Alerts > Travel Accumulator > Travel Accumulator Deadband
Travel Closed Alert	TB > Configure/Setup > Detailed Setup > Alerts > Prox Alerts > Travel Closed > Travel Closed Alert
Travel Closed Alert Enable	TB > Configure/Setup > Detailed Setup > Alerts > Prox Alerts > Travel Closed > Travel Closed Alert Enable
Travel Closed Alert Point	TB > Configure/Setup > Detailed Setup > Alerts > Prox Alerts > Travel Closed > Travel Closed Alert Point
Travel Closed Deadband	TB > Configure/Setup > Detailed Setup > Alerts > Prox Alerts > Travel Closed > Travel Closed Deadband
Travel Count	TB > Device Variables > Travel Count
Travel Cutoff Hi	TB > Configure/Setup > Detailed Setup > Response Control > Travel Pressure Control > Travel Cutoff Hi

-Continued-

Transducer Block (TB) Menu Structure (Continued)

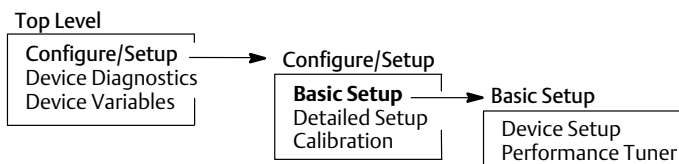
Parameter Label	Menu Structure
Travel Cutoff Lo	TB > Configure/Setup > Detailed Setup > Response Control > Travel Pressure Control > Travel Cutoff Lo
Travel Deviation	TB > Configure/Setup > Detailed Setup > Alerts > Travel Alerts > Travel Deviation > Travel Deviation
Travel Deviation Alert	TB > Configure/Setup > Detailed Setup > Alerts > Travel Alerts > Travel Deviation > Travel Deviation Alert
Travel Deviation Alert Enable	TB > Configure/Setup > Detailed Setup > Alerts > Travel Alerts > Travel Deviation > Travel Deviation Alert Enable
Travel Deviation Alert Point	TB > Configure/Setup > Detailed Setup > Alerts > Travel Alerts > Travel Deviation > Travel Deviation Alert Point
Travel Deviation Deadband	TB > Configure/Setup > Detailed Setup > Alerts > Travel Alerts > Travel Deviation > Travel Deviation Deadband
Travel Deviation Pressure Fallback	TB > Configure/Setup > Detailed Setup > Response Control > Travel Pressure Control > Travel Deviation Pressure Fallback
Travel Deviation Time	TB > Configure/Setup > Detailed Setup > Alerts > Travel Alerts > Travel Deviation > Travel Deviation Time
Travel Hi Alert	TB > Configure/Setup > Detailed Setup > Alerts > Travel Alerts > Travel Hi/Lo > Travel Hi Alert
Travel Hi Alert Enable	TB > Configure/Setup > Detailed Setup > Alerts > Travel Alerts > Travel Hi/Lo > Travel Hi Alert Enable
Travel Hi Alert Point	TB > Configure/Setup > Detailed Setup > Alerts > Travel Alerts > Travel Hi/Lo > Travel Hi Alert Point
Travel Hi Deadband	TB > Configure/Setup > Detailed Setup > Alerts > Travel Alerts > Travel Hi/Lo > Travel Hi Deadband
Travel Hi Hi Alert	TB > Configure/Setup > Detailed Setup > Alerts > Travel Alerts > Travel Limit > Travel Hi Hi Alert
Travel Hi Hi Alert Enable	TB > Configure/Setup > Detailed Setup > Alerts > Travel Alerts > Travel Limit > Travel Hi Hi Alert Enable
Travel Hi Hi Alert Point	TB > Configure/Setup > Detailed Setup > Alerts > Travel Alerts > Travel Limit > Travel Hi Hi Alert Point
Travel Hi Hi Deadband	TB > Configure/Setup > Detailed Setup > Alerts > Travel Alerts > Travel Limit > Travel Hi Hi Deadband
Travel Integral Dead Zone	TB > Configure/Setup > Detailed Setup > Response Control > Travel Tuning > Travel Integral Dead Zone
Travel Integral Enable	TB > Configure/Setup > Detailed Setup > Response Control > Travel Tuning > Travel Integral Enable
Travel Integral Gain	TB > Configure/Setup > Detailed Setup > Response Control > Travel Tuning > Travel Integral Gain
Travel Integral Limit Hi	TB > Configure/Setup > Detailed Setup > Response Control > Travel Tuning > Travel Integral Limit Hi
Travel Integral Limit Lo	TB > Configure/Setup > Detailed Setup > Response Control > Travel Tuning > Travel Integral Limit Lo
Travel Lo Alert	TB > Configure/Setup > Detailed Setup > Alerts > Travel Alerts > Travel Hi/Lo > Travel Lo Alert
Travel Lo Alert Enable	TB > Configure/Setup > Detailed Setup > Alerts > Travel Alerts > Travel Hi/Lo > Travel Lo Alert Enable
Travel Lo Alert Point	TB > Configure/Setup > Detailed Setup > Alerts > Travel Alerts > Travel Hi/Lo > Travel Lo Alert Point
Travel Lo Deadband	TB > Configure/Setup > Detailed Setup > Alerts > Travel Alerts > Travel Hi/Lo > Travel Lo Deadband
Travel Lo Lo Alert	TB > Configure/Setup > Detailed Setup > Alerts > Travel Alerts > Travel Limit > Travel Lo Lo Alert
Travel Lo Lo Alert Enable	TB > Configure/Setup > Detailed Setup > Alerts > Travel Alerts > Travel Limit > Travel Lo Lo Alert Enable
Travel Lo Lo Alert Point	TB > Configure/Setup > Detailed Setup > Alerts > Travel Alerts > Travel Limit > Travel Lo Lo Alert Point
Travel Lo Lo Deadband	TB > Configure/Setup > Detailed Setup > Alerts > Travel Alerts > Travel Limit > Travel Lo Lo Deadband
Travel MLFB Gain	TB > Configure/Setup > Detailed Setup > Response Control > Travel Tuning > Travel MLFB Gain
Travel Open Alert	TB > Configure/Setup > Detailed Setup > Alerts > Prox Alerts > Travel Open > Travel Open Alert
Travel Open Alert Enable	TB > Configure/Setup > Detailed Setup > Alerts > Prox Alerts > Travel Open > Travel Open Alert Enable
Travel Open Alert Point	TB > Configure/Setup > Detailed Setup > Alerts > Prox Alerts > Travel Open > Travel Open Alert Point
Travel Open Deadband	TB > Configure/Setup > Detailed Setup > Alerts > Prox Alerts > Travel Open > Travel Open Deadband
Travel Proportional Gain	TB > Configure/Setup > Detailed Setup > Response Control > Travel Tuning > Travel Proportional Gain
Travel Sensor Alert	TB > Configure/Setup > Detailed Setup > Alerts > Sensor Alerts > Travel Sensor > Travel Sensor Alert
Travel Sensor Alert Enable	TB > Configure/Setup > Detailed Setup > Alerts > Sensor Alerts > Travel Sensor > Travel Sensor Alert Enable
Travel Sensor Hi Error	TB > Device Diagnostics > Status > Self Test Status > Travel Sensor Hi Error
Travel Sensor Lo Error	TB > Device Diagnostics > Status > Self Test Status > Travel Sensor Lo Error
Travel Sensor Manual Recovery	TB > Configure/Setup > Detailed Setup > Alerts > Sensor Alerts > Travel Sensor > Travel Sensor Manual Recovery
Travel Sensor Motion	TB > Configure/Setup > Detailed Setup > Valve and Actuator > Actuator > Travel Sensor Motion
Travel Sensor Shutdown	TB > Configure/Setup > Detailed Setup > Alerts > Sensor Alerts > Travel Sensor > Travel Sensor Shutdown
Travel Sensor Span Error	TB > Device Diagnostics > Status > Self Test Status > Travel Sensor Span Error
Travel Status	TB > Device Variables > AO Control-Post-Char > Travel Status
Travel Tuning Set	TB > Configure/Setup > Detailed Setup > Response Control > Travel Tuning > Travel Tuning Set
Travel Units	TB > Configure/Setup > Detailed Setup > Instrument > Travel Units
Travel Velocity Gain	TB > Configure/Setup > Detailed Setup > Response Control > Travel Tuning > Travel Velocity Gain
Travel(D)	TB > Device Variables > DO Control > Travel(D)
Travel/Pressure Select	TB > Configure/Setup > Detailed Setup > Response Control > Travel Pressure Control > Travel/Pressure Select
Travel/Pressure State	TB > Configure/Setup > Detailed Setup > Response Control > Travel Pressure Control > Travel/Pressure State TB > Device Variables > Travel/Pressure State
Trend	TB > Device Diagnostics > Trend
Trim Style 1	TB > Configure/Setup > Detailed Setup > Valve and Actuator > Reference > Trim Style 1

-Continued-

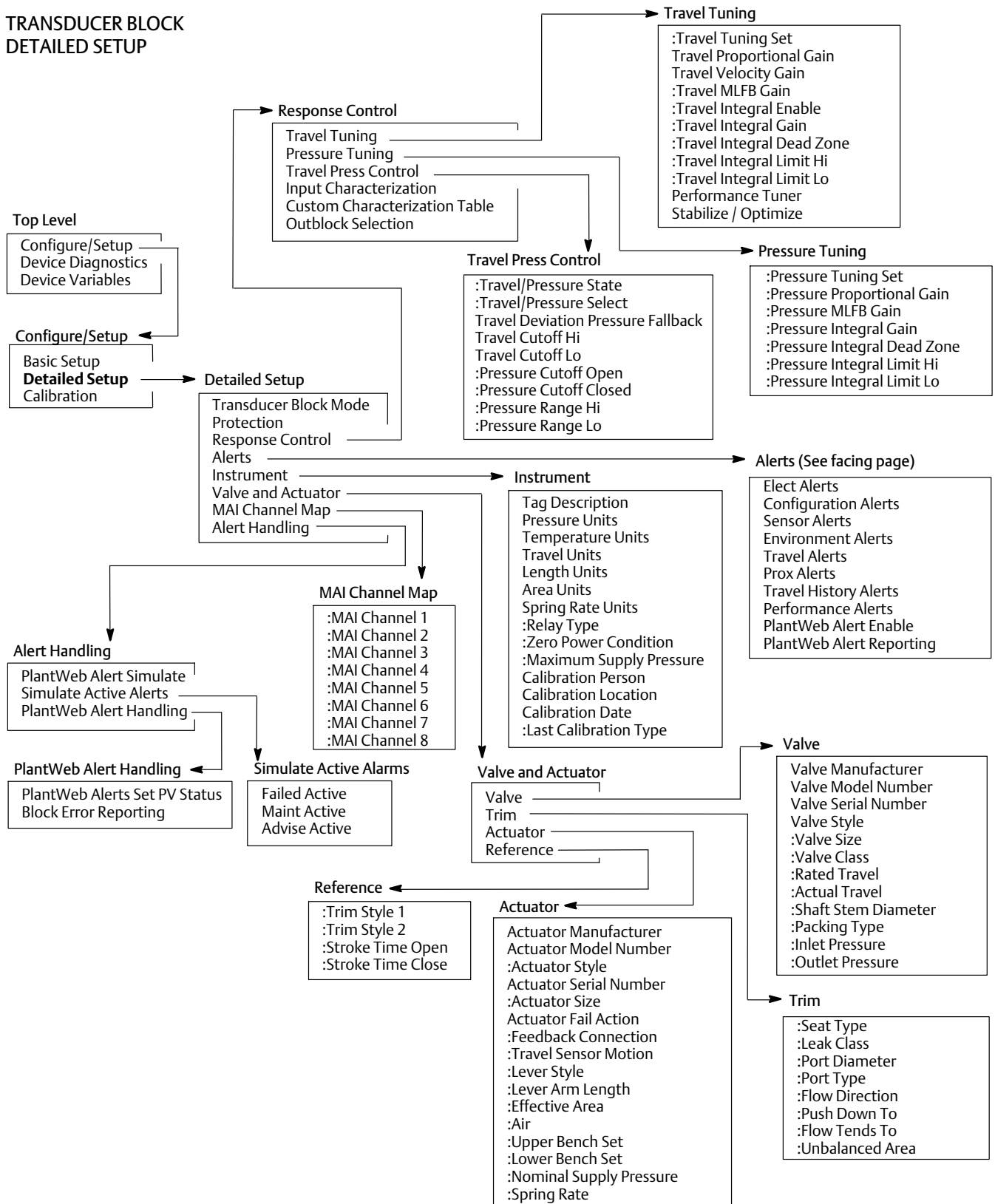
Transducer Block (TB) Menu Structure (Continued)

Parameter Label	Menu Structure
Trim Style 2	TB > Configure/Setup > Detailed Setup > Valve and Actuator > Reference > Trim Style 2
Unbalanced Area	TB > Configure/Setup > Detailed Setup > Valve and Actuator > Trim > Unbalanced Area
Upper Bench Set	TB > Configure/Setup > Detailed Setup > Valve and Actuator > Actuator > Upper Bench Set
Valve Class	TB > Configure/Setup > Detailed Setup > Valve and Actuator > Valve > Valve Class
Valve Manufacturer	TB > Configure/Setup > Detailed Setup > Valve and Actuator > Valve > Valve Manufacturer
Valve Model Number	TB > Configure/Setup > Detailed Setup > Valve and Actuator > Valve > Valve Model Number
Valve Serial Number	TB > Configure/Setup > Detailed Setup > Valve and Actuator > Valve > Valve Serial Number
Valve Size	TB > Configure/Setup > Detailed Setup > Valve and Actuator > Valve > Valve Size
Valve Style	TB > Configure/Setup > Detailed Setup > Valve and Actuator > Valve > Valve Style
Zero Power Condition	TB > Configure/Setup > Detailed Setup > Instrument > Zero Power Condition

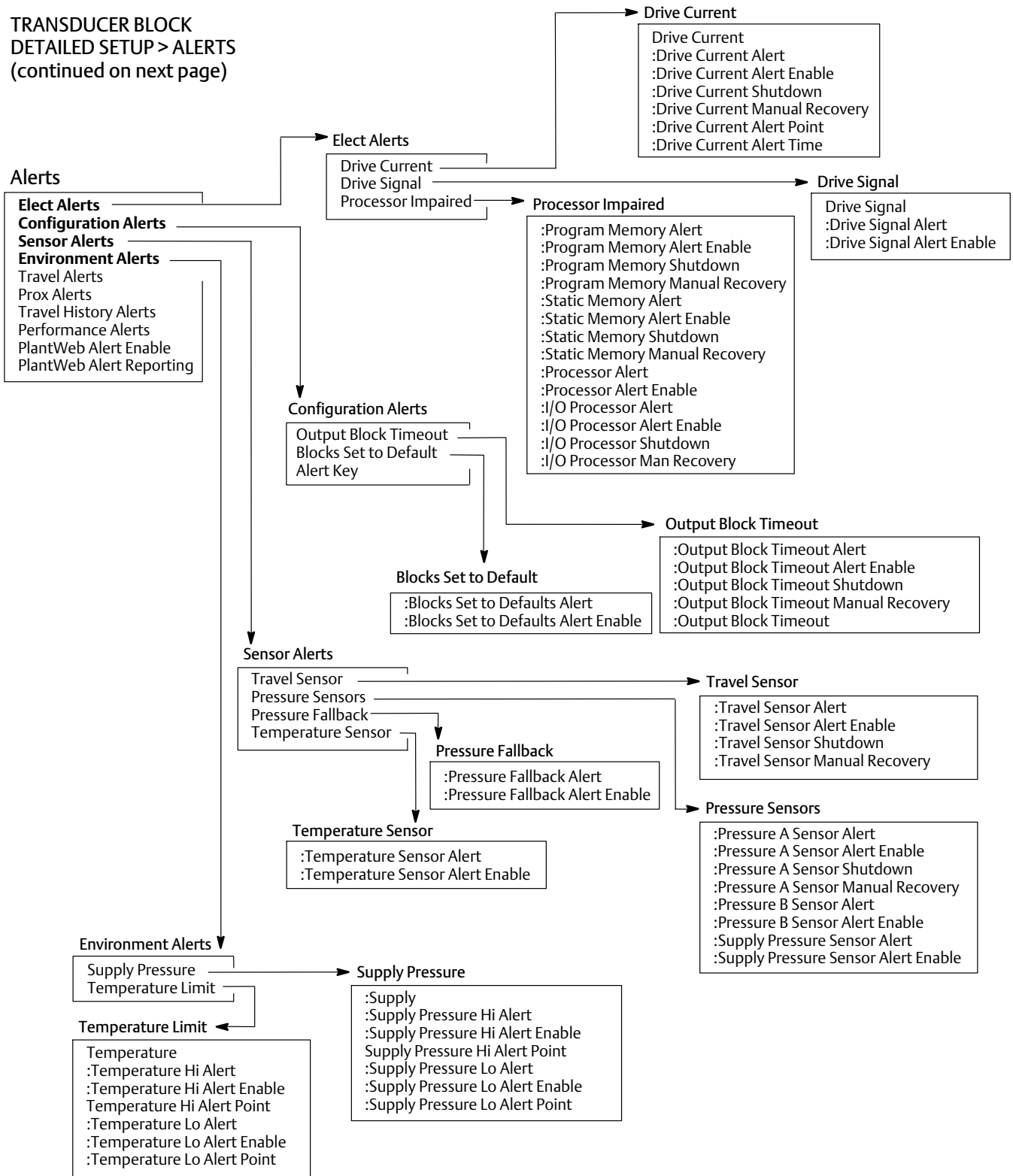
TRANSDUCER BLOCK  
BASIC SETUP



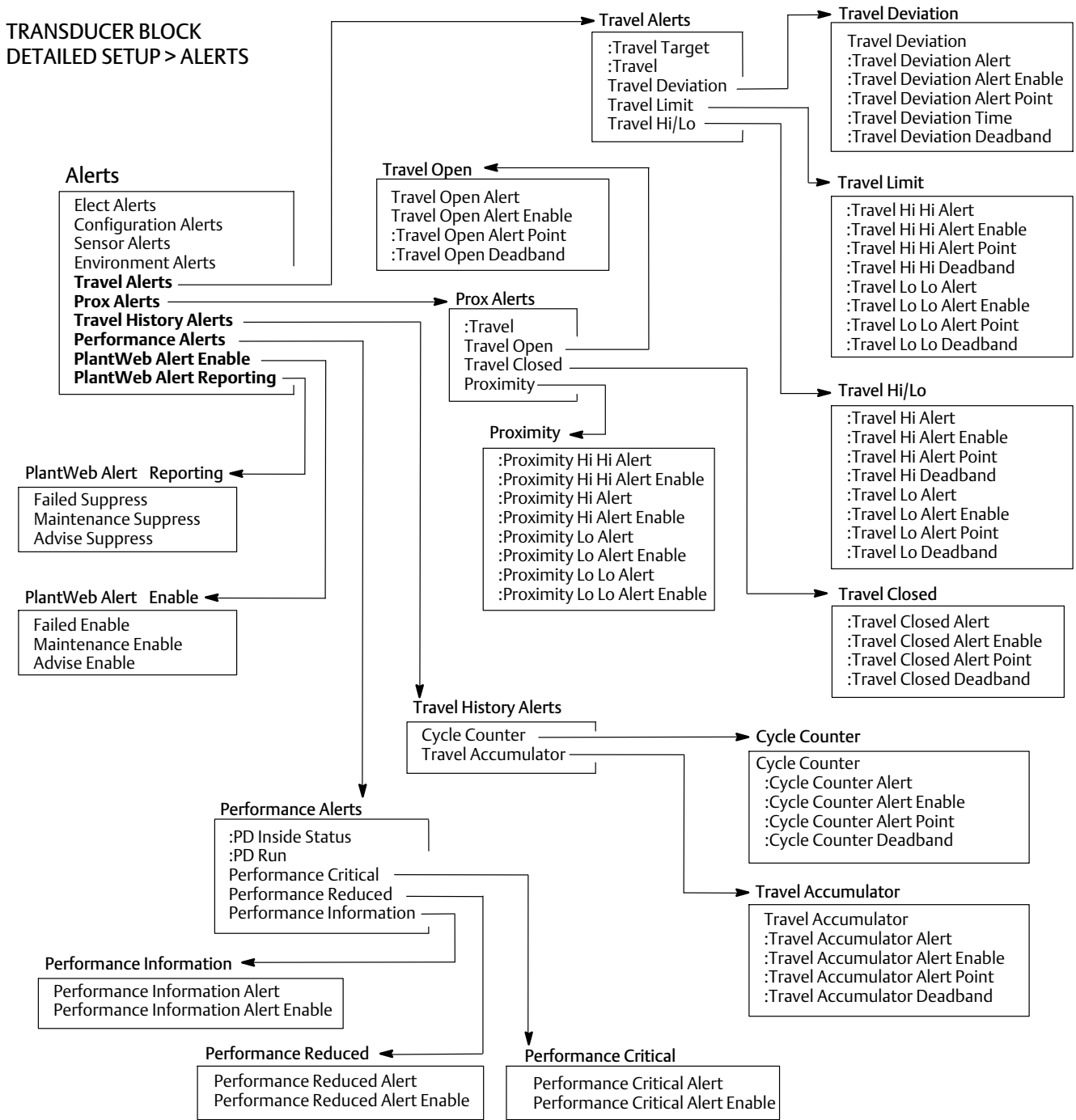
TRANSDUCER BLOCK  
DETAILED SETUP



TRANSDUCER BLOCK  
DETAILED SETUP > ALERTS  
(continued on next page)

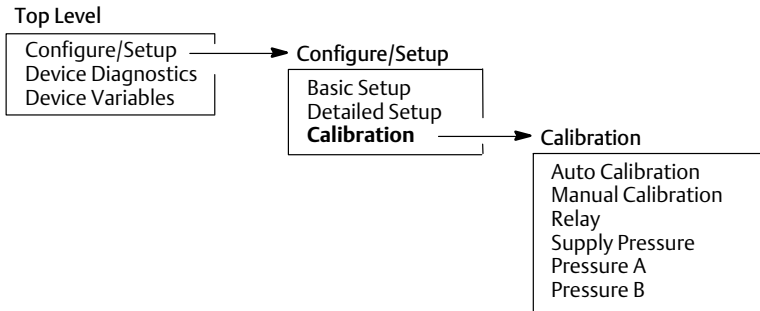


TRANSDUCER BLOCK  
DETAILED SETUP > ALERTS

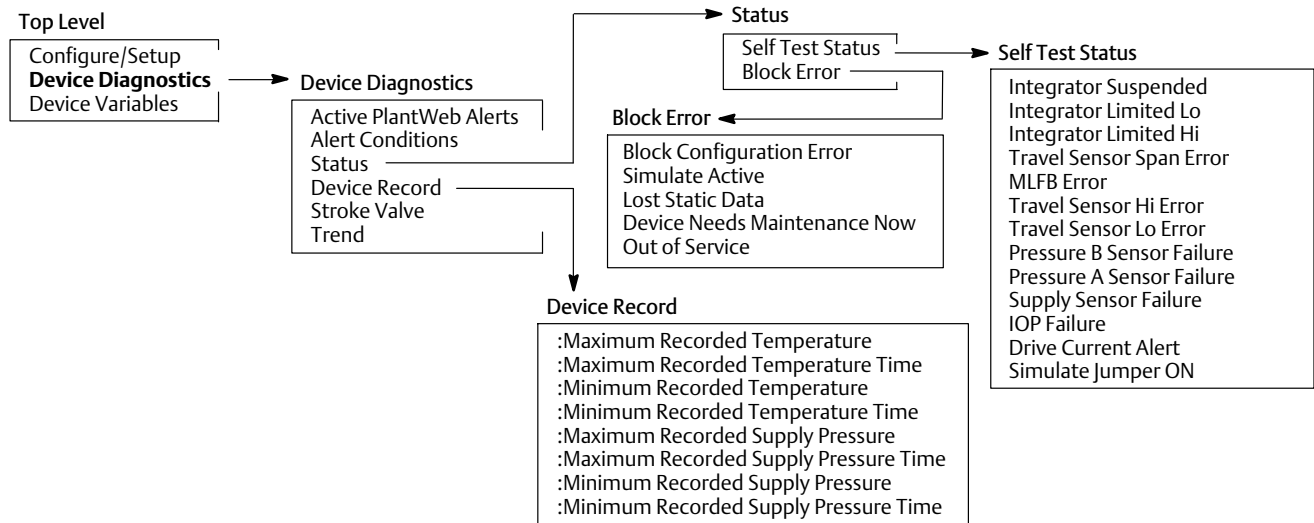




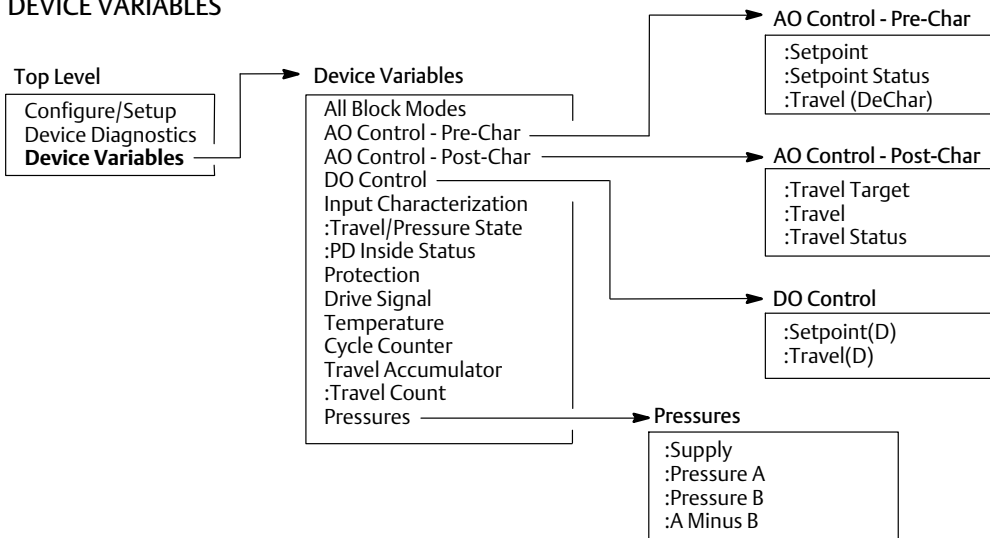
TRANSDUCER BLOCK  
CALIBRATION



TRANSDUCER BLOCK  
DEVICE DIAGNOSTICS



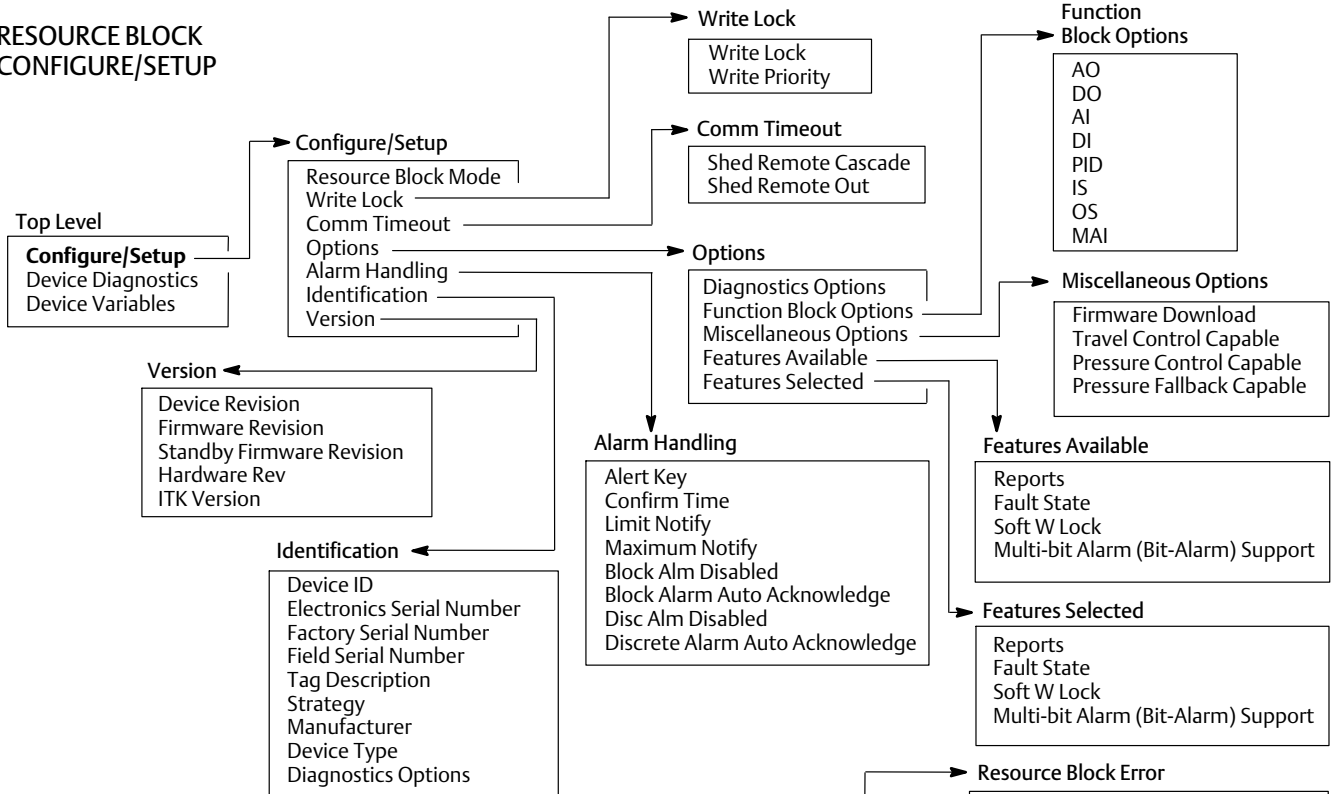
TRANSDUCER BLOCK  
DEVICE VARIABLES



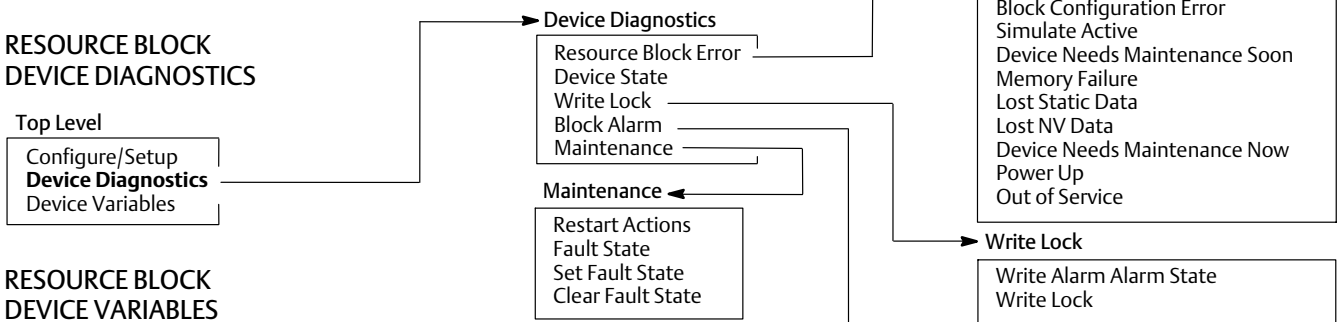
Resource Block (RB) Menu Structure

Parameter Label	Menu Structure
Alert Key	RB > Configure/Setup > Alarm Handling > Alert Key
Block Alarm: Alarm State	RB > Device Diagnostics > Block Alarm > Alarm State
Block Alarm: Unacknowledged	RB > Device Diagnostics > Block Alarm > Unacknowledge
Block Alarm Disabled	RB > Configure/Setup > Alarm Handling > Block Alarm Disabled
Block Alarm Automatically Acknowledge	RB > Configure/Setup > Alarm Handling > Block Alarm Automatically Acknowledge
Confirm Time	RB > Configure/Setup > Alarm Handling > Confirm Time
DD Information	RB > Device Variables > DD information
Device ID	RB > Configure/Setup > Identification > Device ID <u>or</u> RB > Device Variables > Instrument > Identification > Device ID
Device Revision	RB > Configure/Setup > Version > Device Revision <u>or</u> RB > Device Variables > Instrument > Version > Device Revision
Device State	RB > Display > Resource Status > Device State RB > Device Diagnostics > Device State
Device Type	RB > Configure/Setup > Identification > Device Type <u>or</u> RB > Device Variables > Instrument > Identification > Device Type
Diagnostics Options	RB > Configure/Setup > Options > Diagnostics Options
Discrete Alarm Disabled	RB > Configure/Setup > Alarm Handling > Discrete Alarm Disabled
Discrete Alarm Automatically Acknowledge	RB > Configure/Setup > Alarm Handling > Discrete Alarm Automatically Acknowledge
Electronics Serial Number	RB > Configure/Setup > Identification > Elect S/N <u>or</u> RB > Device Variables > Instrument > Identification > Electronics Serial Number
Factory Serial Number	RB > Configure/Setup > Identification > Factory S/N <u>or</u> RB > Device Variables > Instrument > Identification > Factory Serial Number
Fault State	RB > Device Diagnostics > Maintenance > Fault State
Features Available	RB > Configure/Setup > Options > Features Available <u>or</u> RB > Device Variables > Options > Features Available
Features Selected	RB > Configure/Setup > Options > Features Selected
Field Serial Number	RB > Configure/Setup > Identification > Field S/N <u>or</u> RB > Device Variables > Instrument > Identification > Field Serial Number
Firmware Revision	RB > Configure/Setup > Version > Firmware Revision <u>or</u> RB > Device Variables > Instrument > Version > Firmware Revision
Function Block Options	RB > Configure/Setup > Options > Function Block Options <u>or</u> RB > Device Variables > Options > Function Block Options
Hardware Revision	RB > Configure/Setup > Version > Hardware Revision <u>or</u> RB > Device Variables > Instrument > Version > Hardware Revision
ITK Version	RB > Configure/Setup > Version > ITK Version <u>or</u> RB > Device Variables > Instrument > Version > ITK Version
Limit Notify	RB > Configure/Setup > Alarm Handling > Limit Notify
Manufacturer	RB > Configure/Setup > Identification > Manufacturer <u>or</u> RB > Device Variables > Instrument > Identification > Manufacturer
Maximum Notify	RB > Configure/Setup > Alarm Handling > Maximum Notify
Miscellaneous Options	RB > Configure/Setup > Options > Miscellaneous Options <u>or</u> RB > Device Variables > Options > Miscellaneous Options
Resource Block Error	RB > Device Diagnostics > Resource Block Error
Shed Remote Cascade	RB > Configure/Setup > Communication Time Out > Shed Remote Cascade
Shed Remote Out	RB > Configure/Setup > Communication Time Out > Shed Remote Out
Standby Firmware Revision	RB > Configure/Setup > Version > Standby Software Revision <u>or</u> RB > Device Variables > Instrument > Version > Standby Software Revision
Strategy	RB > Configure/Setup > Identification > Strategy <u>or</u> RB > Device Variables > Instrument > Identification > Strategy
Tag Description	RB > Configure/Setup > Identification > Tag Description <u>or</u> RB > Device Variables > Instrument > Identification > Tag Description
Write Alarm: Alarm State	RB > Device Diagnostics > Write Lock > Write Alarm: Alarm State
Write Lock	RB > Configure/Setup > Write Lock > Write Lock <u>or</u> RB > Device Diagnostics > Write Lock > Write Lock
Write Priority	RB > Configure/Setup > Write Lock > Write Priority

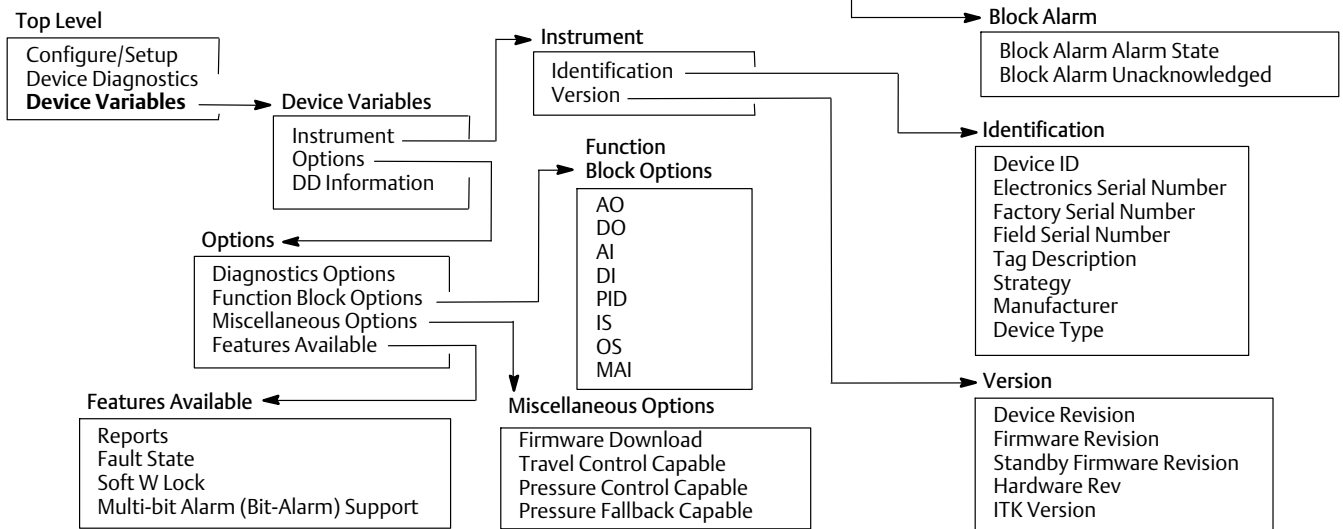
**RESOURCE BLOCK  
CONFIGURE/SETUP**



**RESOURCE BLOCK  
DEVICE DIAGNOSTICS**



**RESOURCE BLOCK  
DEVICE VARIABLES**





# Appendix C PlantWeb Alerts

## Instrument Alert Conditions

Instrument Alert Conditions, when enabled, detect many operational and performance issues that may be of interest. To view these alerts, the user must open the appropriate status screen on a host such as a DeltaV system, ValveLink software or a Field Communicator.

### PlantWeb Alerts

Some instrument alert conditions can also be used to trigger PlantWeb alerts that will be reported in Failed, Maintenance or Advisory categories, as configured by the user. PlantWeb alerts, when enabled, can participate in the DeltaV alarm interface tools such as the alarm banner, alarm list and alarm summary. For specific information on setting up PlantWeb Alerts in a DeltaV system, refer to the PlantWeb Alerts section in Appendix F.

When a PlantWeb alert occurs, the DVC6200f sends an event notification and waits a specified period of time for an acknowledgment to be received. This occurs even if the condition that caused the alert no longer exists. If the acknowledgment is not received within the pre-specified time-out period, the event notification is retransmitted. This reduces the possibility of alert messages getting lost.

### Mode-Based PlantWeb Alerts

Some PlantWeb alerts are not active unless the transducer block (actual) mode is Auto.

1. Alerts which can be triggered by the activities of the service technician are reported only when the transducer block mode is AUTO.
2. Alerts which are unrelated to service technician activities are reported in all transducer block modes.

Exceptions are as follows:

- Alerts can be simulated regardless of transducer block mode but must be enabled to be reported.
- When a shutdown condition exists (either currently active or latched on through the shutdown recovery parameter) in the transducer block, alerts are reported even though the mode of the transducer block is OOS.

Refer to table C-1 for reporting of PlantWeb Alerts.

## Alert Handling

Alert handling is diagrammed in figure C-1. There are two ways of seeing PlantWeb alerts. One way is to see if the instrument alert condition causing a PlantWeb alert is detected. The second is to view alerts reported to the system operator console. For a PlantWeb alert to be active, it has to pass four tests. The first is to check if the Instrument alert condition is enabled. If a condition is not enabled, the instrument does not check for the alert condition.

Second, the condition that will cause an alert must exist. For example, the current travel is above the Travel Limit Hi Alert Point.

Third, the corresponding PlantWeb alert must be enabled in one or more of the three categories: Failed, Maintenance or Advise.

Fourth, the transducer block mode must be correct. See table C-1.

---

**Note**

Additional details on setting up and using Instrument Alerts can be found on page 45 of this manual.

---

Figure C-1. Alert Handling

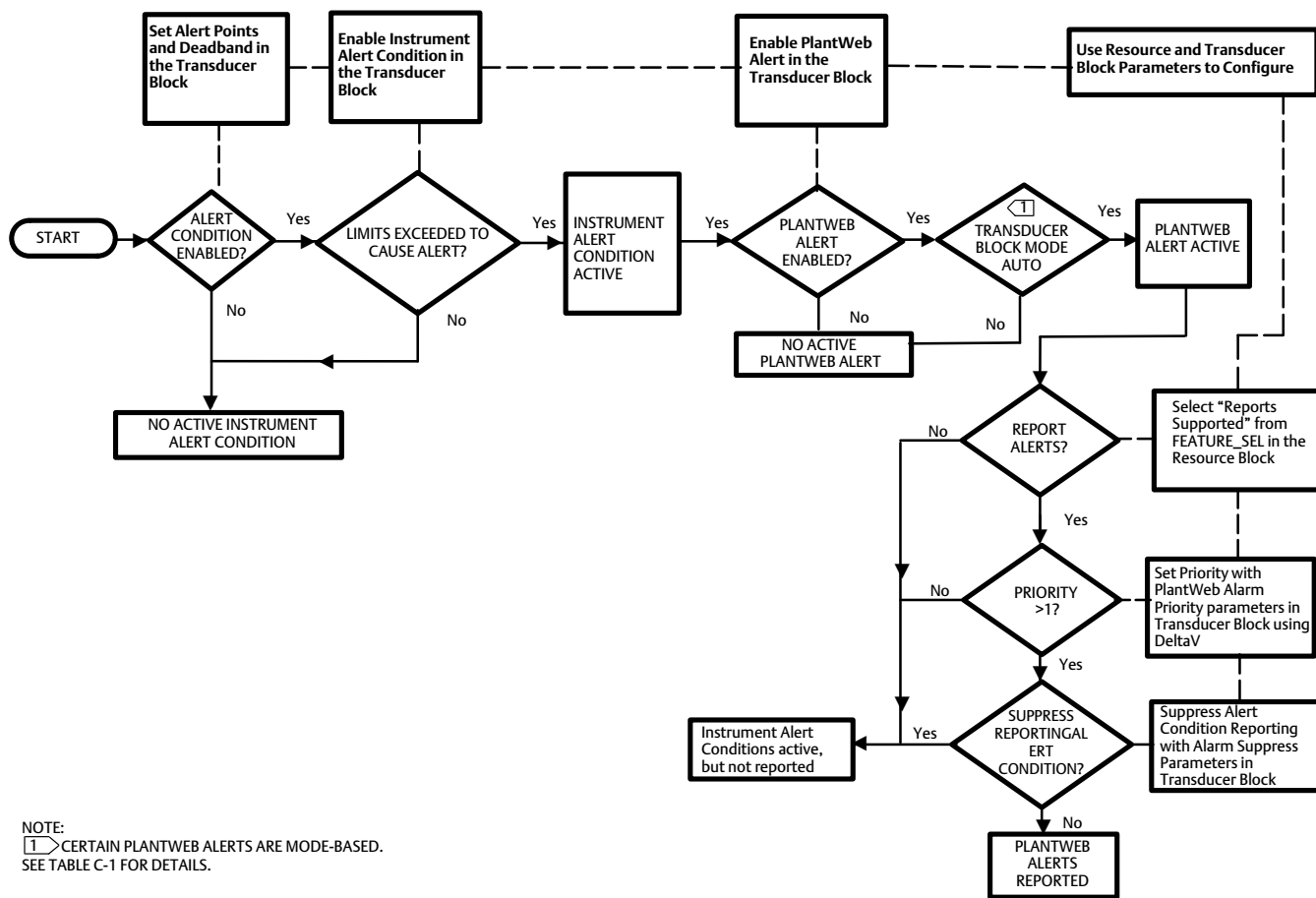


Table C-1. PlantWeb Alerts Reporting Requirements

PlantWeb Alert	Transducer Block Mode (Actual)
Drive Current	AUTO
Drive Signal	AUTO
Processor Impaired	Any Mode
Output Block Timeout	Any Mode
Block Set to Defaults	Any Mode
Travel Sensor	AUTO
Output Pressure Sensor	Any Mode
Supply Pressure Sensor	Any Mode
Temperature Sensor	Any Mode
Supply Pressure	AUTO
Temperature Limit	AUTO
Travel Deviation	AUTO
Travel Limit	AUTO
Cycle Counter	AUTO
Travel Accumulator	AUTO
Performance Critical	AUTO
Performance Reduced	AUTO
Performance Information	AUTO
Pressure Fallback	AUTO

## Alert Reporting

For PlantWeb alerts to be reported to the operator console, they must pass four tests:

- Alerts must be active
- Reports must be selected in Feature Select
- Alert priority must be greater than 1
- Reporting must not be suppressed for those conditions that caused active alerts.

Features Selected in the Resource block determines if reporting by the instrument is supported. Refer to page 23 for additional information on Features Selected.

Failed Priority (FAILED\_PRI [68]), Maintenance Priority (MAINT\_PRI [69]), and Advise Priority (ADVISE\_PRI [70]) determine the PlantWeb alert priorities. Although 16 priorities are available only three are actually meaningful for PlantWeb alerts. If the priority is 0, no reporting occurs. If the priority is 1, reporting is simulated within the instrument, but the alert is not actually reported over the bus. The alert condition is reported for priorities 2 through 15, with the higher priorities taking precedence over the lower priorities.

Failed Suppress (FAILED\_MASK [65]), Maintenance Suppress (MAINT\_MASK [66]), and Advise Suppress (ADVISE\_MASK [67]) determine which of the alert conditions are suppressed so that they are not reported.

## PlantWeb Alerts Set Block Status

If a PlantWeb Alert is active, the AO or DO Block Readback parameter status may change. This behavior is controlled with the PlantWeb Alerts Set PV Status (PWA\_SET\_STATUS [97]) parameter in the transducer block

## Setting PlantWeb Alerts

Refer to table C-2 for information on setting PlantWeb alerts. When selected, PlantWeb alarms will set the PV status according to table C-4.

## Using PlantWeb Alerts

Refer to table C-3 for information on using PlantWeb alerts.

Table C-2. Setting PlantWeb Alerts

PlantWeb Alert (Group) (Default Alert Category)	Alert Condition (Default)	What the Alert is Detecting	Related Parameters (Default)	Guidelines for Setting
Drive Current (Electronics) (Failed)	Drive Current (Enabled)	The difference between the expected Drive Current and the actual Drive Current has exceeded the Drive Current Alert Time.	Self Test Shutdown (No) Shutdown Recovery (Auto) Alert Point (50%) Alert Time (5 sec)	Use default settings
Drive Signal (Electronics) (Maintenance)	Drive Signal (Enabled)	If one of the following conditions exist:  Where Zero Power Condition is defined as closed: •Drive Signal < 10% and Calibrated Travel > 3% •Drive Signal > 90% and Calibrated Travel < 97%  Where Zero Power Condition is defined as open: •Drive Signal < 10% and Calibrated Travel < 97% •Drive Signal > 90% and Calibrated Travel > 3%		Use default setting
Processor Impaired (Electronics) (Maintenance)	Program Memory (Enabled)	A pending Flash or NVM failure is present.	Self Test Shutdown (No) Shutdown Recovery (Auto)	Use default settings
	Static Memory (Enabled)	A failure of the FRAM memory where static parameters are stored.	Self Test Shutdown (No) Shutdown Recovery (Auto)	Use default settings
	Processor (Enabled)	A failure of the main Processor.	Self Test Shutdown (No) Shutdown Recovery (Auto)	Use default settings
	I/O Processor (Enabled)	A failure of the I/O Processor.	Self Test Shutdown (No) Shutdown Recovery (Auto)	Use default settings
Output Block Timeout (Configuration) (Maintenance)	Output Block Timeout (Disabled)	If the analog or discrete output block has not executed for longer than the configured timeout.	Timeout Alert Point (600 s) Self Test Shutdown (No) Shutdown Recovery (Auto)	Enable this alert for loops where the execution is critical. If the AO or DO block is not scheduled, or scheduled incorrectly, it will trigger an alert after the Timeout Alert Point has been exceeded. Set the Timeout Alert Point to a value between a. 30 seconds and b. the maximum time before a user should be notified. The minimum number depends on the time it takes for a host to download a configuration to the device.  Shutdown can be enabled if it is desired to move the valve to the Zero Power Condition at the same time that the alert is generated.
Blocks Set to Default (Configuration) (Maintenance)	Blocks Set to Default (Enabled)	If the resource block has undergone Restart with Defaults	None	Use default settings
Shutdown Alert (Configuration) (Maintenance)	N/A	A user configured Self Test Shutdown condition has taken the instrument to OOS.	None	Use default settings

-Continued-



Table C-2. Setting PlantWeb Alerts (Continued)

PlantWeb Alert (Group) (Default Alert Category)	Alert Condition (Default)	What the Alert is Detecting	Related Parameters (Default)	Guidelines for Setting
Travel Sensor (Sensors) (Failed)	Travel Sensor (Enabled)	The travel feedback is within acceptable limits.	Self Test Shutdown (No) Shutdown Recovery (Auto)	<p><b>Double Acting Actuators</b>— <u>Enable the alert</u> and configure it to report in the Failed Alert Category. <u>Self Test Shutdown</u> is generally not enabled.</p> <p><b>Single Acting Actuators</b>— If Travel / Pressure Control is configured as Travel with Pressure Fallback: <u>enable the alert</u> and configure it to report in the Maintenance Alert Category. <u>Do not enable Self Test Shutdown.</u></p> <p>If Travel / Pressure Control is configured as Travel: <u>Enable the alert</u> and configure it to report in the Failed Alert Category. <u>Self Test Shutdown</u> is generally not enabled.</p>
Output Press Sensor (Sensors) (Maintenance)	Port A Pressure Sensor (Enabled)	The pressure sensor reading is outside the functional range of the sensor.	Self Test Shutdown (No) Shutdown Recovery (Auto)	<p>If Travel / Pressure Control is configured as Pressure: <u>enable the alert</u> and configure it to report in the Failed Alert Category. Enable the Self Test Shutdown.</p> <p>For all other Travel / Pressure Control selections, <u>enable the alert</u> to report in the Maintenance Alert Category and <u>do not enable the Self Test Shutdown.</u></p>
	Port B Pressure Sensor (Enabled)		None	Use default settings
Supply Press Sensor (Sensors) (Advisory)	Supply Press Sensor (Enabled)	The pressure sensor reading is outside the functional range of the sensor.	None	Use default settings
Temperature Sensor (Sensors) (Advisory)	Temperature Sensor (Enabled)	The temperature sensor reading is outside the functional range of the sensor.	None	Use default settings
Pressure Fallback (Sensors) (Maintenance)	Pressure Fallback (Enabled)	A travel sensor failure or large travel deviation has resulted in fallback to pressure control.	None	Use default settings
Supply Pressure (Environment) (Maintenance)	Supply Press High (Enabled)	The supply pressure has exceeded the Supply Pressure Hi Alert Point.	Alert Point (145 psig)	<p>Enable the alert in the Maintenance Alert Category. Set the Alert Point to <u>which ever is lower of</u></p> <ul style="list-style-type: none"> <li>a. the maximum instrument pressure of 145 psig or</li> <li>b. the maximum actuator casing pressure.</li> </ul>
	Supply Press Low (Enabled)	The supply pressure is lower than the Supply Pressure Lo Alert Point.	Alert Point (19 psig)	<p>Enable the alert in the Maintenance Alert Category.</p> <p><b>Double Acting Actuators</b>— Set the Alert Point above the minimum required for valve shutoff and no greater than <u>1 psig below</u> the supply regulator setting</p> <p><b>Single Acting Actuators</b>— Set the Alert Point above the minimum required for valve shutoff and no greater than <u>1 psig below</u> the supply regulator setting. This is generally about 3 psig above the actuator upper bench set (stroking) pressure.</p>

-Continued-

Table C-2. Setting PlantWeb Alerts (Continued)

PlantWeb Alert (Group) (Default Alert Category)	Alert Condition (Default)	What the Alert is Detecting	Related Parameters (Default)	Guidelines for Setting
Temperature Limit (Environment) (Advisory)	Temperature High (Enabled)	The temperature is greater than the Temperature Hi Alert Point.	Alert Point ( 186°F)	Use default settings  Other alert points may be chosen to indicate changes in the instrument environment.
	Temperature Low (Enabled)	The temperature is lower than the Temperature Lo Alert Point.	Alert Point ( -63°F)	Enable the alert in the Maintenance Alert Category. Set the Alert Point at -40°F if the instrument uses Nitrile elastomers and -63°F if it uses Fluorosilicone elastomers.  Other alert points may be chosen to indicate changes in the instrument environment.
Travel Deviation (Travel) (Maintenance)	Travel Deviation (Enabled)	The Travel Deviation has exceeded the Travel Deviation Alert Point by more than the Travel Deviation Time.	Alert Point (5%) Alert Time (10 sec) Deadband (2%)	Enable the alert in the Maintenance Alert Category. Use the default settings with valves that are 4 inch and smaller with PTFE packing systems.  With other valves, the user can refine the settings with ValveLink software Dynamic Error Band and Step Response Tests. Set the related parameters as follows: Tvl Dev Alert Point—set equal times 2 the Maximum Dynamic Error, minimum 3% Tvl Dev DB—set equal to the Dynamic Error Band, minimum 2% Tvl Dev Time—set equal to the T98 time for a Step Test from 0 to 100% Travel, minimum 10 seconds.
Travel Limit (Travel) (Advisory)	Travel Limit Hi Hi (Disabled)	The Travel has exceeded the Travel Limit Hi Hi Alert Point	Alert Point (125%) Deadband (5%)	Enable this alert for critical loops, where it is important to alert an operator if the valve is approaching the wide open position. A typical setting might be 95%.
	Travel Limit Lo Lo (Disabled)	The Travel is lower than the Travel Limit Lo Lo Alert Point.	Alert Point (-25%) Deadband (5%)	Enable this alert for critical loops, where it is important to alert an operator if the valve is approaching the closed position. A typical setting might be 5%.
N/A (Travel) (N/A)	Travel Limit Hi (Disabled)	The Travel has exceeded the Travel Limit Hi Alert Point.	Alert Point (125%) Deadband (5%)	Use the Alert Points and Deadband to configure the Proximity Alerts below.
	Travel Limit Lo (Disabled)	The Travel is lower than the Travel Limit Lo Alert Point.	Alert Point (-25%) Deadband (5%)	Use the Alert Points and Deadband to configure the Proximity Alerts below.
N/A (Proximity) (N/A)	Travel Open (Disabled)	The Travel is greater than the Open Alert Point	Alert Point (99.5%) Deadband (5%)	Enable and set to report Travel with DI Block
	Travel Closed (Disabled)	The Travel is greater than the Closed Alert Point	Alert Point (0.5%) Deadband (5%)	Enable and set to report Travel with DI Block
	Proximity Hi Hi (Disabled)	The Travel is within the configured band of the configured center point.	Alert Point (125%) Deadband (5%)	Enable and set to report Travel with DI Block
	Proximity Hi (Disabled)		Alert Point (125%) Deadband (5%)	Enable and set to report Travel with DI Block
	Proximity Lo (Disabled)		Alert Point (-25%) Deadband (5%)	Enable and set to report Travel with DI Block
Proximity Lo Lo (Disabled)	Alert Point (-25%) Deadband (5%)		Enable and set to report Travel with DI Block	
Cycle Counter (Travel History) (Maintenance)	Cycle Counter (Disabled)	The number of travel reversals has exceeded the configured limit.	Alert Point (1,000,000) Deadband (1%)	Bellows Seal Bonnets— enable the alert in the Maintenance Alert Category. Use the bellows manufacturer's cycle life data to set cycle limits.

-Continued-

Table C-2. Setting PlantWeb Alerts (Continued)

PlantWeb Alert (Group) (Default Alert Category)	Alert Condition (Default)	What the Alert is Detecting	Related Parameters (Default)	Guidelines for Setting
Travel Accumulator (Travel History) (Maintenance)	Travel Accumulator (Disabled)	The accumulated travel has exceeded the configured limit.	Alert Point (1,000,000) Deadband (1%)	Packing Bonnets— enable the alert in the Maintenance Alert Category. When packing leaks are discovered, set the Travel Accumulator alert to 90% of the current Travel Accumulator Value, triggering an alert prior to anticipated leak.
Performance Critical (Performance) (Failed)	Performance Critical (Enabled)	Critical performance issues based on continuous PD tests internal to the instrument.	None	Use default setting
Performance Reduced (Performance) (Maintenance)	Performance Reduced (Enabled)	Reduced performance issues based on continuous PD tests internal to the instrument.	None	Use default setting
Performance Information (Performance) (Advisory)	Performance Information (Enabled)	Performance Information based on continuous PD tests internal to the instrument.	None	Use default setting

Table C-3. Using PlantWeb Alerts

PlantWeb Alert (Group) (Default Alert Category)	Alert Condition (Default)	What the Alert is Detecting	Effect on Valve/Instrument	Recommended Action	Help
Drive Current (Electronics) (Failed)	Drive Current (Enabled)	The difference between the expected Drive Current and the actual Drive Current has exceeded the Drive Current Alert Time.	If configured for Self Test Shutdown, then the transducer Actual mode is placed Out of Service until the problem is fixed. Out of Service results in the instrument output pressure(s) and actuator position being at the Zero Power Condition.	Check I/P module	The instrument has detected that the difference between the expected Drive Current and the actual Drive Current is greater than the configured limit 1) Replace the I/P module 2) Calibrate the device. If the problem persists, replace the printed wiring board (PWB) assembly.
Drive Signal (Electronics) (Maintenance)	Drive Signal (Enabled)	If one of the following conditions exist:  Where Zero Power Condition is defined as closed: Drive Signal < 10% and Calibrated Travel > 3% Drive Signal > 90% and Calibrated Travel < 97%  Where Zero Power Condition is defined as open: Drive Signal < 10% and Calibrated Travel < 97% Drive Signal > 90% and Calibrated Travel > 3%	None - Indicates reduced performance.	Check instrument pneumatics	The instrument I/P drive signal necessary to generate the pressure output from the instrument is not within the expected range. Potential causes include I/P filter plugged, instrument pneumatic relay failure, low supply pressure, air leaks, or valve sticking. Test the control valve assembly for proper operation. ValveLink diagnostics can be used for this purpose.

-Continued-

Table C-3. Using PlantWeb Alerts (Continued)

PlantWeb Alert (Group) (Default Alert Category)	Alert Condition (Default)	What the Alert is Detecting	Effect on Valve/Instrument	Recommended Action	Help
Processor Impaired (Electronics) (Maintenance)	Program Memory (Enabled)	A pending Flash or NVM failure is present.	If configured for Self Test Shutdown, then the transducer Actual mode is placed Out of Service until the problem is fixed. Out of Service results in the instrument output pressure(s) and actuator position being at the Zero Power Condition.	Replace PWB assembly	An error has been detected in the printed wiring board (PWB) assembly. Replace the PWB assembly.
	Static Memory (Enabled)	A failure of the FRAM memory where static parameters are stored.			
	Processor (Enabled)	A failure of the main Processor.			
	I/O Processor (Enabled)	A failure of the I/O Processor.			
Output Block Timeout (Configuration) (Maintenance)	Output Block Timeout (Disabled)	If the AO or DO block has not executed for longer than the configured timeout, this alert is detected.	If configured for Self Test Shutdown, then the transducer Actual mode is placed Out of Service until the problem is fixed. Out of Service results in the instrument output pressure(s) and actuator position being at the Zero Power Condition.	Check Output Block	<p>The function block providing the setpoint for the valve position (AO or DO function block) has not executed within the user configured time limit. If configured for Self Test Shutdown, the transducer Actual mode is set to Out of Service.</p> <p>1) Download the control schedule from the host configuration device. 2) Make sure the Time Out Alert Point is greater than the block execution schedule.</p> <p>This alert should only be utilized in very critical loops where execution time is critical.</p>
Blocks Set to Default (Configuration) (Failed)	Blocks Set to Default (Enabled)	If the resource block has undergone Restart with Defaults.	The transducer "Actual" mode is placed Out of Service when the defaults are applied. Out of service results in the actuator being at the Zero Power Condition.	Download device configuration	<p>When restoring power to the device, the configuration parameters could not be recalled from non-volatile memory. When the instrument detects this condition, the transducer Actual mode is set to Out of Service.</p> <p>To correct this situation, download the configuration to the device and set the Target Mode of the Resource block.</p>
Shutdown Alert (Configuration) (Failed)	N/A	A user configured Self Test Shutdown condition has taken the instrument to OOS.	None - Indicates why the instrument remains OOS.	Same as the configured Self Test Shutdown.	The instrument Actual mode remains OOS due to a configured Self Test Shutdown, where Manual Recovery was specified, even though the condition may have cleared. Check Recommended Action for the indicated condition.

-Continued-

Table C-3. Using PlantWeb Alerts (Continued)

PlantWeb Alert (Group) (Default Alert Category)	Alert Condition (Default)	What the Alert is Detecting	Effect on Valve/Instrument	Recommended Action	Help
Travel Sensor (Sensors) (Failed)	Travel Sensor (Enabled)	The travel feedback is within acceptable limits.	If configured for Self Test Shutdown, then the transducer "Actual" mode is placed Out of Service until the problem is fixed. Out of service results in the actuator being at the Zero Power Condition.	Check mounting and linkage	Travel feedback value is outside expected limits. If this problem occurs during instrument set-up, the most likely cause is faulty mounting or improper adjustment of the travel sensor. If this problem occurs during normal operation, the most likely cause is a failure of the travel sensor.  To correct, 1) Insure proper mounting and linkage adjustment. 2) Inspect and test travel sensor 3) Toggle the transducer target mode.  If the problem persists, replace the printed wiring board (PWB) assembly.
Output Press Sensor (Sensors) (Maintenance)	Port A Pressure Sensor (Enabled)	The pressure sensor reading is outside the functional range of the sensor.	If configured for Self Test Shutdown, then the transducer "Actual" mode is placed Out of Service until the problem is fixed. Out of service results in the actuator being at the "No Power" condition.	Confirm proper air supply	The pressure sensor on-board the device has failed. This may be due to excessive supply pressure or contaminated air.  If it is verified that the air supply is ok, replace the printed wiring board (PWB) assembly.
	Port B Pressure Sensor (Enabled)		None - Indicates a possible hardware problem that would degrade diagnostic capability.		
Supply Press Sensor (Sensors) (Advisory)	Supply Press Sensor (Enabled)	The pressure sensor reading is outside the functional range of the sensor.	None - Indicates a possible hardware problem that would degrade diagnostic capability.	Confirm proper air supply	The pressure sensor on-board the device has failed. This may be due to excessive supply pressure or contaminated air.  If it is verified that the air supply is ok, replace the printed wiring board (PWB) assembly.
Temperature Sensor (Sensors) (Advisory)	Temperature Sensor (Enabled)	The temperature sensor reading is outside the functional range of the sensor.	None - Indicates a possible hardware problem that would degrade instrument calibration and diagnostic capability.	Replace PWB assembly.	The temperature sensor on-board the device has failed or the unit has been exposed to an temperature extreme beyond the recommended limits.

-Continued-

Table C-3. Using PlantWeb Alerts (Continued)

PlantWeb Alert (Group) (Default Alert Category)	Alert Condition (Default)	What the Alert is Detecting	Effect on Valve/Instrument	Recommended Action	Help
Pressure Fallback (Sensors) (Maintenance)	Pressure Fallback (Enabled)	A travel sensor failure or large travel deviation has resulted in fallback to pressure control.	None - Indicates a reduced performance condition.	Check instrument feedback linkage and travel sensor.	The instrument has detected that the travel sensor is outside its normal range of operation or that a gross deviation exists between set point and actual travel. It has switched to Pressure Control and is no longer using the travel sensor to position the valve.
Supply Pressure (Environment) (Maintenance)	Supply Press High (Enabled)	The supply pressure has exceeded the Supply Pressure Hi Alert Point.	None - Indicates a condition that could cause damage to the instrument or actuator.	Confirm proper air supply.	The Supply Pressure sensor on-board has detected an abnormally high supply pressure. Verify the proper supply pressure and that the alert is properly set.
	Supply Press Low (Enabled)	The supply pressure is lower than the Supply Pressure Lo Alert Point.	None - Indicates a condition that could reduce performance or prevent the valve from shutting tightly.		The Supply Pressure sensor on-board has detected an abnormally low supply pressure. Verify the proper supply pressure and that the alert is properly set.
Temperature Limit (Environment) (Advisory)	Temperature High (Enabled)	The temperature is greater than the Temperature Hi Alert Point.	None - Indicates a condition that could shorten service life or lead to reduced performance.	Check instrument environment.	The instrument temperature has exceeded the user configured high temperature limit. Operation of the instrument above the rated temperature may degrade instrument components. This may affect instrument performance and/or reduce the life of the instrument.
	Temperature Low (Enabled)	The temperature is lower than the Temperature Lo Alert Point.			The instrument temperature has dropped below the user configured low temperature limit. Operation of the instrument below the rated temperature may degrade instrument components. This may affect instrument performance and/or reduce the life of the instrument.

-Continued-

Table C-3. Using PlantWeb Alerts (Continued)

PlantWeb Alert (Group) (Default Alert Category)	Alert Condition (Default)	What the Alert is Detecting	Effect on Valve/Instrument	Recommended Action	Help
Travel Deviation (Travel) (Maintenance)	Travel Deviation (Enabled)	The Travel Deviation has exceeded the Travel Deviation Alert Point by more than the Travel Deviation Time.	None - Indicates a reduced performance condition.	Check valve friction, supply air, instrument tuning	The valve travel is not following setpoint. Check operation of the valve and instrument. Possible items include; sticking valve, low supply pressure, broken feedback linkage, instrument pneumatic components, actuator, instrument tubing, poor instrument tuning, etc.  Test the control valve assembly for proper operation. ValveLink software diagnostics can be used for this purpose.
Travel Limit (Travel) (Advisory)	Travel Limit Hi Hi (Disabled)	The Travel has exceeded the Travel Limit Hi Hi Alert Point.	None	Check process loop	The actual valve position has exceeded the configurable travel limit (in %).
	Travel Limit Lo Lo (Disabled)	The Travel is lower than the Travel Limit Lo Lo Alert Point.	None	Check process loop	
N/A (Travel) (N/A)	Travel Limit Hi (Disabled)	The Travel has exceeded the Travel Limit Hi Alert Point.	None	Check process loop	The actual valve position has exceeded the configurable travel limit (in %).
	Travel Limit Lo (Disabled)	The Travel is lower than the Travel Limit Lo Alert Point.	None	Check process loop	The actual valve position has exceeded the configurable travel limit (in %).
N/A (Proximity) (N/A)	Travel Open (Disabled)	The Travel is greater than the Open Alert Point	None	Check process loop	The actual valve position is near the full open position.
	Travel Closed (Disabled)	The Travel is greater than the Closed Alert Point	None	Check process loop	The actual valve position is near the full closed position.
	Proximity Hi Hi (Disabled)	The Travel is within the configured band of the configured center point.	None	Check process loop	The actual valve position is near the configured center point.
	Proximity Hi (Disabled)		None		
	Proximity Lo (Disabled)		None		
Proximity Lo Lo (Disabled)	None				
Cycle Counter (Travel History) (Maintenance)	Cycle Counter (Disabled)	The number of travel reversals has exceeded the configured limit.	None	Perform periodic maintenance	The cycle count limit has been exceeded. Perform periodic maintenance. Check packing, linkages, diaphragms, seals, etc.
Travel Accumulator (Travel History) (Maintenance)	Travel Accumulator (Disabled)	The accumulated travel has exceeded the configured limit.	None	Perform periodic maintenance	The travel accumulator limit has been exceeded. Perform periodic maintenance. Check packing, linkages, diaphragms, seals, etc.

-Continued-

Table C-3. Using PlantWeb Alerts (Continued)

PlantWeb Alert (Group) (Default Alert Category)	Alert Condition (Default)	What the Alert is Detecting	Effect on Valve/Instrument	Recommended Action	Help
Performance Critical (Performance) (Failed)	Performance Critical (Enabled)	Critical performance issues based on continuous PD tests internal to the instrument.	None - Indicates control has been lost or severely reduced.	Check I/P, Relay, Valve, Actuator or Ext. Tubing as indicated.	On-board diagnostics have detected a critical performance issue that may result in loss of control or severe reduction in control performance. Check or replace the component indicated in the possible cause detail.
Performance Reduced (Performance) (Maintenance)	Performance Reduced (Enabled)	Reduced performance issues based on continuous PD tests internal to the instrument.	None - Indicates reduced performance.	Check I/P, Relay, Valve, Actuator or Ext. Tubing as indicated.	On-board diagnostics have detected a performance issue that has reduced control performance. Check or replace the component indicated in the possible cause detail.
Performance Information (Performance) (Advisory)	Performance Information (Enabled)	Performance Information based on continuous PD tests internal to the instrument.	None - Indicates information that may pertain to control performance.	No action required.	On-board diagnostics have detected an abnormal performance condition. No immediate action required.

Table C-4. Output Block PV Status

FEATURE_SEL PW Alarms Set PV Status	Transducer Mode, Actual	Active PlantWeb Alarms	AO / DO PV Status	AO / DO PV Substatus	AO/DO PV Limit Substatus(1)
Enabled	OOS	X	Bad	Device Failure	Constant
	Man	X	Bad	Non-specific	Constant
	Auto	Fail	Uncertain	Subnormal	See table C-5
	Auto	Maint, no Fail	Uncertain	Non-specific	See table C-5
	Auto	Advisory, no Fail, no Maint	Good	Advisory	See table C-5
	Auto	None	Good	Non-Specific	See table C-5
Not Enabled	OOS	X	Bad	Device Failure	Constant
	Man	X	Bad	Non-Specific	Constant
	Auto	Fail	Good	Non-Specific	See table C-5
	Auto	Maint, no Fail	Good	Non-Specific	See table C-5
	Auto	Advisory, no Fail, no Maint	Good	Non-Specific	See table C-5
	Auto	None	Good	Non-Specific	See table C-5

NOTES:  
X = No Effect  
1. PV limit substatus reflects only READBACK limit substatus. SP limit substatus reflects only out block rate limits.

Table C-5. Limit Sub Status

Out Block	Transducer Mode	In Cutoff Region	Rate Limited	Limit Sub-Status
AO, DO	OOS	X	X	Constant
AO, DO	MAN	X	X	Constant
AO	AUTO	High	X	High Limited
AO	AUTO	Low	X	Low Limited
AO	AUTO	X	High	High Limited
AO	AUTO	X	Low	Low Limited
AO	AUTO	None	None	Not Limited
DO	AUTO	X	High	High Limited
DO	AUTO	X	Low	Low Limited
DO	AUTO	X	None	Not Limited

NOTE: X = No Effect



## Appendix D FOUNDATION fieldbus Communication

DVC6200f digital valve controllers use the FOUNDATION fieldbus to communicate with other fieldbus instruments and the control system. Fieldbus is an all digital, serial, two-way communication system which interconnects “field” equipment such as transmitters, digital valve controllers, and process controllers. Fieldbus is a local-area network (LAN) for instruments used in both process and manufacturing automation with built-in capability to distribute the control application across the network.

### Function Block Overview

A fieldbus system is a distributed system composed of field devices and control and monitoring equipment integrated into the physical environment of a plant or factory. Fieldbus devices work together to provide I/O and control for automated processes and operations. The Fieldbus Foundation provides a framework for describing these systems as a collection of physical devices interconnected by a fieldbus network. One of the ways that the physical devices are used is to perform their portion of the total system operation by implementing one or more function blocks.

### Function Blocks

Function blocks within the fieldbus device perform the various functions required for process control. Because each system is different, the mix and configuration of functions are different. Therefore, the Fieldbus Foundation has designed a range of function blocks, each addressing a different need: Analog Input Block (AI), Multiple Analog Input (MAI), Discrete Input Block (DI), Manual Loader Block (ML), Bias/Gain Station Block (BG), Control Selector Block (CS), P, PD Controller Block (PD), PID, PI, I Controller Block (PID), Ratio Station Block (RA), Analog Output Block (AO) and Discrete Output Block (DO).

Function blocks perform process control functions, such as analog input (AI) and analog output (AO) functions as well as proportional-integral-derivative (PID) functions. The standard function blocks provide a common structure for defining function block inputs, outputs, control parameters, events, alarms, and modes, and combining them into a process that can be implemented within a single device or over the fieldbus network. This simplifies the identification of characteristics that are common to function blocks.

The Fieldbus Foundation has established the function blocks by defining a set of parameters used in all function blocks called universal parameters. The Fieldbus Foundation has also defined a standard set of function block classes, such as input, output, control, and calculation blocks. Each of these classes have a set of parameters established for it. Additionally, they have published definitions for transducer blocks commonly used with standard function blocks. Examples include temperature, pressure, level, and flow transducer blocks.

Fieldbus Foundation specifications and definitions allow vendors to add their own, extended parameters, as well as their own algorithms. This approach permits extending function block definitions as new requirements are discovered and as technology advances.

Each block has a tag name. Service personnel need only know the tag name of the block to access or change the appropriate block parameters.

Input events may affect the operation of the algorithm. An execution control function regulates the receipt of input events and the generation of output events during execution of the algorithm. Upon completion of the algorithm, the data internal to the block is saved for use in the next execution, and the output data is snapped, releasing it for use by other function blocks.

Once the inputs are snapped, the algorithm operates on them, generating outputs as it progresses. Algorithm executions are controlled through the setting of internal parameters. Internal parameters do not appear as normal input and output parameters. However, they may be accessed and modified remotely, as specified by the function block.

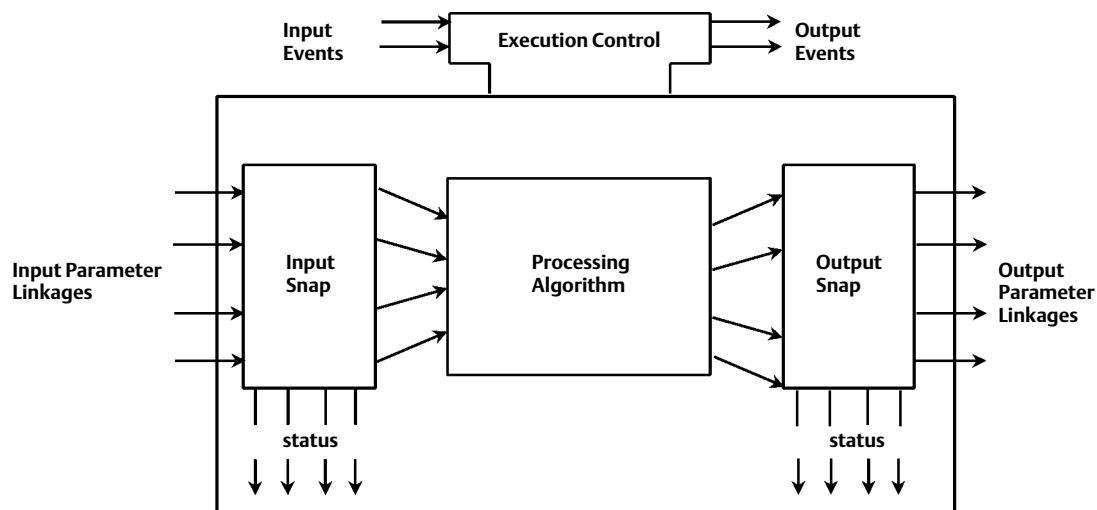
Figure D-1 illustrates the internal structure of a function block. When execution begins, input parameter values from other blocks are snapped-in by the block. The input snap process ensures that these values do not change during the block execution. New values received for these parameters do not affect the snapped values and will not be used by the function block during the current execution.

Function blocks are also capable of performing short-term data collection and storage for reviewing their behavior.

## Instrument-Specific Blocks

In addition to function blocks, fieldbus devices contain two other block types to support the function blocks. These are the resource block and the transducer block. The resource block contains the hardware specific characteristics associated with a device. Transducer blocks couple the function blocks to local input/output functions.

Figure D-1. Function Block Internal Structure



B2711

## Resource Blocks

The resource block contains hardware specific characteristics associated with the device; it has no input or output parameters. The algorithm within a resource block monitors and controls the general operation of the physical device hardware. The execution of this algorithm is dependent on the characteristics of the physical device, as defined by the manufacturer. As a result of this activity, the algorithm may cause the generation of events. There is only one resource block defined for a device. For example, placing the resource block in Out of Service mode stops all function block execution, by setting their modes to Out of Service as well. The actual mode of the function blocks is changed to Out of Service, but the function block target modes will not change. Placing the resource block in the Out of Service mode does not affect the mode of the transducer block.

## Transducer Blocks

Transducer blocks connect function blocks to local input/output functions. They read sensor hardware and write to effector (actuator) hardware. This permits the transducer block to execute as frequently as necessary to obtain good data from sensors and ensure proper writes to the actuator without burdening the function blocks that use the data. The transducer block also isolates the function block from the specific characteristics of the physical I/O.

## Block Modes

All blocks have modes. The mode determines the source of the set point, the destination of the output, how the block executes, and the relationship between setpoint and output. The block mode is determined by the Block Mode parameter. It is a structured parameter composed of the attributes actual, target, permitted, and normal. The following defines each of the attributes.

- **Target mode**—The Target mode is the mode requested by the user or host system. Only one mode is allowed to be set and it must be a permitted mode as defined by the permitted attribute of the mode parameter.
- **Actual mode**—This is the current mode of the block. The actual mode may differ from the target mode due to operating conditions of the block.
- **Permitted mode**—The permitted mode defines the modes allowed for the block. This is set by the user or host system but is restricted by the instrument to modes supported by the instrument for the particular block. Any change request to the Target or Normal attribute is checked against the permitted attribute to ensure the requested mode is permitted.

When setting the Permitted mode, there is no check against any of the other attributes (Normal or Target modes). Therefore, the normal or target mode attributes may have a value that is not permitted because the permitted attribute was modified after the Normal or Target mode was set. This will have no effect on the instrument until the user attempts to modify the Target or Normal mode. At this time these attributes are tested against the Permitted modes, thus the user cannot change the Normal or Target modes to what was formerly permitted.

- **Normal mode**—The normal mode is the mode the block should be in during normal operating conditions. The normal mode is set by the user or host system and can only be set to a permitted mode (see permitted mode). The user or host system can compare the actual mode to the normal mode and, based on the results, determine if the block is operating normally.

Table D-1 lists the modes supported by each block contained in the digital valve controller.

Table D-1. DVC6200f Block Modes

Block	Supported Mode Values
Resource	Auto and OOS
Transducer	Auto, Manual, and OOS
AO	RCas, Cas, Auto, Man, LO <sup>(1)</sup> , IMan <sup>(1)</sup> , and OOS
PID	ROut, RCas, Cas, Auto, Man, LO <sup>(1)</sup> , IMan <sup>(1)</sup> , and OOS
ISEL	Auto, Man and OOS
OS	IMan <sup>(1)</sup> , Auto, Cas and OOS
AI	Man, Auto, and OOS
MAI	Man, Auto, and OOS
DO	RCas, Cas, Auto, Man, LO <sup>(1)</sup> , IMan <sup>(1)</sup> , and OOS
DI	Auto, Man, and OOS

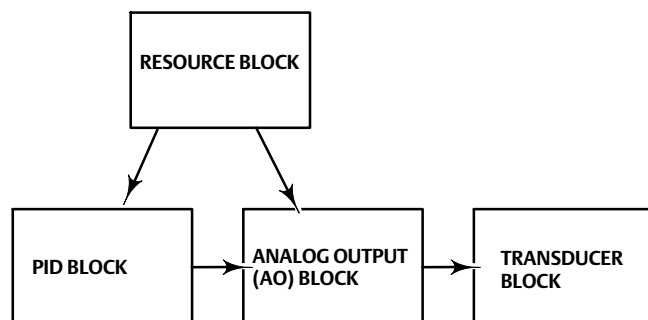
1. This mode cannot be specified as a target mode.

Changing the block mode requires accessing the Block Mode parameter. For information on using the host system to change the block mode via this parameter, see the appropriate host documentation.

**Note**

A downstream block changing to Out of Service impacts the mode of the upstream block. Refer to the block hierarchy in figure D-2.

Figure D-2. Digital Valve Controller Block Hierarchy Example

**NOTES:**

1. CHANGING THE RESOURCE BLOCK TO OUT OF SERVICE CHANGES ALL FUNCTION BLOCKS TO OUT OF SERVICE, BUT DOES NOT AFFECT THE TRANSDUCER BLOCK.
2. CHANGING A DOWNSTREAM BLOCK TO OUT OF SERVICE AFFECTS THE UP STREAM BLOCK. FOR EXAMPLE: WHEN THE TRANSDUCER BLOCK IS OUT OF SERVICE, THE AO BLOCK MODE WILL CHANGE TO IMAN (INITIALIZE MANUAL).

**Note**

There is no mode associated with the FOUNDATION fieldbus Loop. Mode is dependent on the blocks within the Loop.

## Explanation of Modes

**Out of Service (OOS)**—The functions performed by the block are not executed. If the block has any outputs, these typically do not update and the status of any values passed to downstream blocks will be “BAD”. To make changes to some of the parameters in a block requires that the block be Out of Service.

**Initialization Manual (IMan)**—Only the AO, DO, OS and PID blocks support this mode. When one of these blocks detects a loss of a correct path to the downstream block (such as when the downstream block is in the OOS, Man, or LO mode), it enters the IMan mode. For example, when the transducer block enters the OOS mode, the AO block enters the IMan mode.

**Local Override (LO)**—Only the AO, DO, and PID blocks support this mode. If the PID block enters the LO mode, the block output follows the tracking value (TRK\_VAL), if external tracking is enabled by TRK\_IN\_D. In the AO and DO block, the block enters LO mode when the block detects that fault state is active. In this case, the output is determined by the selection for I/O\_OPTS.

**Manual (Man)**—If the data status of a function block's input is bad or its target mode is Man, the block enters the manual mode. In this mode, the function block does not update its OUT value. If the target is Man, the user may write a desired value to the output.

**Automatic (Auto)**—The block performs the specified calculations based on the local set point and outputs the result, independently without interfacing with another block. The user can write to the set point of a block in this mode. Any block outputs continue to update.

**Cascade (Cas)**—The block performs the specified calculations based on the set point from another block via the cascade input parameter and outputs the result. Any block outputs continue to update.

**Remote Output (ROut)**—The block outputs are set to the value of the remote output parameter that is written by a host computer or others. To prevent a sudden change in output, the block's calculations are initialized when a change in mode occurs.

**Remote Cascade (RCas)**—The block performs the specified calculations based on a set point from a host computer or others via the remote cascade input and outputs the result. If the block has any outputs, these continue to update.

## Examples of Modes for Various Operational Statuses

Table D-2 shows examples of block mode combinations in a digital valve controller (however it does not show all combinations). When a block changes mode or the data status signal changes for some reason, the other blocks connected to that block identify the change by detecting the change in status of an input signal, and change their modes too. For example, when the data status of BKCAL\_IN in a PID block changes to bad, the PID block automatically changes its mode to Iman to initialize the control of its downstream block.

Table D-2. Examples of Block Mode Combinations and Operational statuses for an Instrument with Standard Control

Operational Status	Blocks		
	PID	AO	TB <sup>(1)</sup>
Initial Setup and calibration	---	OOS	OOS
Modification of some transducer block parameters	---	IMan	Manual
Constant valve position control	---	Auto	Auto
PID Single-loop control	Auto	Cas	Auto
PID Cascade-loop control	Primary PID, Auto Secondary PID, Cas	Cas	Auto

1. TB=Transducer Block

The respective modes to which each block should enter upon occurrence of a communication error and at a restart, and the handling of signals in each mode may be defined in the block's option parameters such as IO\_OPTS and STATUS\_OPTS. For details, see the detailed descriptions of each function block.

## Device Descriptions

Device Descriptions are specified definitions that are associated with blocks. Device descriptions provide for the definition and description of blocks and their parameters.

Device descriptions may also include a set of processing routines called Methods. Methods provide a procedure for accessing and manipulating a series of parameters within a device, such as for setup and calibration. Methods are used for a variety of functions including automatic calibration, setting protection and setting up the instrument. These Methods are a predetermined sequence of steps for information required to setup, calibrate, and perform other functions on the instrument.

## Transducer Block Status and Limit Propagation

Every FOUNDATION fieldbus parameter has a value and a status. The status attribute is divided into three components: Quality, Quality substatus, and a Limit. The Quality can be Good (Cascade), Good (Non-Cascade), Uncertain, and Bad. Each quality can have a substatus as shown in table D-3. Each status attribute also has four possible limit states: Not limited, Low limited, High limited, and Constant. Refer to the Fieldbus Foundation specifications for a more detailed description. The following describes how the transducer block passes status information to the AO block. For information on status handling by the function blocks within the digital valve controller, refer to the Detailed Setup section.

Table D-3. Status Attribute Quality and Substatus Components

Quality	Substatus
Good (NC)	Non-specific
Good (NC)	Active Block Alarm
Good (NC)	Active Advisory Alarm
Good (NC)	Active Critical Alarm
Good (NC)	Unack Block Alarm
Good (NC)	Unack Advisory Alarm
Good (NC)	Unack Critical Alarm
Uncertain	Non-specific
Uncertain	Last Usable Value
Uncertain	Substitute/Manual Entry
Uncertain	Initial Value
Uncertain	Sensor Conversion not Accurate
Uncertain	Engineering Unit Range Violation
Uncertain	Sub-normal
Good (C)	Non-specific
Good (C)	Initialization Acknowledge
Good (C)	Initialization Request
Good (C)	Not Invited
Good (C)	Not Selected
Good (C)	Local Override
Good (C)	Fault State Active
Good (C)	Initiate Fault State
Bad	Non-specific
Bad	Configuration Error
Bad	Not Connected
Bad	Device Failure
Bad	Sensor Failure
Bad	No Comm, with LUV
Bad	No Comm, no LUV
Bad	Out of Service
(NC)=(Non-cascade)      (C)= (Cascade)	

## Status Propagation

The transducer block accepts the output from the AO block or DO block if the output parameter status is Good (Non-cascade) or Good (Cascade). When the AO or DO block is Out of Service the output parameter status is Bad. In this case, the transducer block holds the last value.

If the transducer block actual mode is Out of Service, the AO block READBACK parameter status is Bad-Out of Service. This could be caused by a Failed Alert. If a Failed Alert is active, the block error parameter (parameter name BLOCK\_ERR) for the Resource block will indicate Device Needs Maintenance Now. For more information on the Resource and Transducer block error indications, refer to the Viewing Device Information section of this manual.

If the transducer block is functioning correctly the AO block READBACK parameter status is Good (Non-cascade)-Non-specific. If a Maintenance or Advisory alert is active the substatus will reflect a Unacknowledged or Active advisory alert. When a Maintenance or Advisory alert is active, the block error for the resource block indicates Device Needs Maintenance Soon.

## Limit Propagation

The following describes limit propagation:

AO Block

- If the valve position is below the low cutoff value, the AO block READBACK status limit is LOW\_LIMITED.
- If the valve position is above the high cutoff value, the AO block READBACK status limit is HIGH\_LIMITED.
- If the transducer block actual mode is Auto and the above conditions are not true, the AO block READBACK status limit is NOT\_LIMITED.
- If the transducer block actual mode is Out of Service, the AO block READBACK status limit is CONSTANT.

DO Block

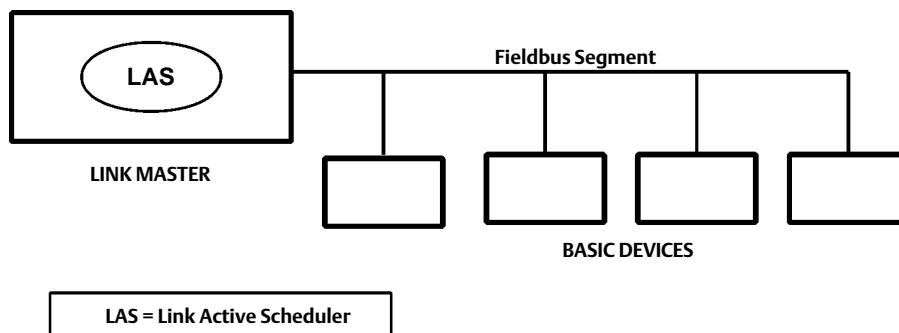
- If the transducer block actual mode is Auto, the DO block READBACK\_D status is NOT\_LIMITED.
- If the transducer block actual mode is Out of Service, the DO block READBACK\_D status is CONSTANT.

The control strategy should be configured to monitor the Analog Output block status and take action where appropriate when the status is no longer Good.

## Network Communication

Figure D-3 illustrates a simple fieldbus network consisting of a single segment.

Figure D-3. Simple Single-Link Fieldbus Network



B2712-1

## Device Addressing

Fieldbus uses addresses between 0 and 255. Addresses 0 through 15 are typically reserved for group addressing and for use by the data link layer. If there are two or more devices with the same address, the first device to start will use its programmed address. Each of the other devices will be given one of four temporary addresses between 248 and 251. If a temporary address is not available, the device will be unavailable until a temporary address becomes available. Commission devices use addresses 20-35, and standby devices use addresses 232-247.

## Link Active Scheduler (LAS)

There is only one active Link Active Scheduler (LAS) for the entire fieldbus control system. The digital valve controller includes an LAS. The Link Active Scheduler operates as the bus arbiter for the link, and

- recognizes and adds new devices to the link.
- removes non-responsive devices from the link.
- distributes Data Link (DL) and Link Scheduling (LS) time on the link. Data Link Time is a network-wide

time periodically distributed by the LAS to synchronize all device clocks on the bus. Link Scheduling time is a link-specific time represented as an offset from Data Link Time. It is used to indicate when the LAS on each link begins and repeats its schedule. It is used by system management to synchronize function block execution with the data transfers scheduled by the LAS.

- polls devices for process loop data at scheduled transmission times.
- distributes a priority-driven token to devices between scheduled transmissions.

The DVC6200f can be designated to act as the backup Link Active Scheduler (LAS) in the event that the LAS is disconnected from the segment. As the backup LAS, the DVC6200f will take over the management of communications until the host is restored. The host system may provide a configuration tool specifically designed to designate a particular device as a backup LAS. Otherwise, this can be configured manually as follows:

1. Access the Management Information Base (MIB) for the DVC6200f.
2. To activate the LAS capability, write 0x02 to the BOOT\_OPERAT\_FUNCTIONAL\_CLASS object (Index 605). To deactivate, write 0x01.

Restart the processor.

Only one device can communicate at a time. Permission to communicate on the bus is controlled by a centralized token passed between devices by the LAS. Only the device with the token can communicate. The LAS maintains a list of all devices are a member of the bus. This list is called the “Live List”.

Two types of tokens are used by the LAS. A time-critical token, compel data (CD), is sent by the LAS according to a schedule. A non-time critical token, pass token (PT), is sent by the LAS to each device in numerical order according to address.

## Device Communication

### Scheduled Transfers

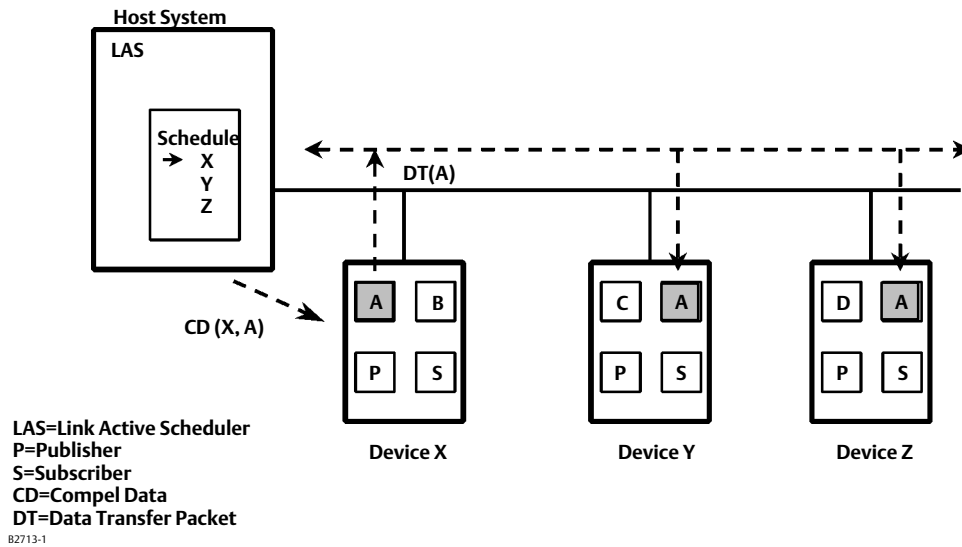
Information is transferred between devices over the fieldbus using three different types of communication:

- **Publisher/Subscriber:** This type of communication is used to transfer critical process loop data, such as the process variable. The data producers (publishers) post the data in a buffer that is transmitted to the subscriber (S), when the publisher is issued the Compel Data (CD) message from the LAS. The buffer contains only one copy of the data. New data completely overwrites previous data. Updates to published data are transferred simultaneously to all subscribers in a single broadcast. Transfers of this type are scheduled on a precisely periodic basis.

Figure D-4 diagrams the method of scheduled data transfer. Scheduled data transfers are typically used for the regular cyclic transfer of process loop data between devices on the fieldbus. Scheduled transfers use publisher/subscriber type of reporting for data transfer. The Link Active Scheduler maintains a list of transmit times for all publishers in all devices that need to be cyclically transmitted. When it is time for a device to publish data, the LAS issues a Compel Data (CD) message to the device. Upon receipt of the CD, the device broadcasts or “publishes” the data to all devices on the fieldbus. Any device that is configured to receive the data is called a “subscriber”.



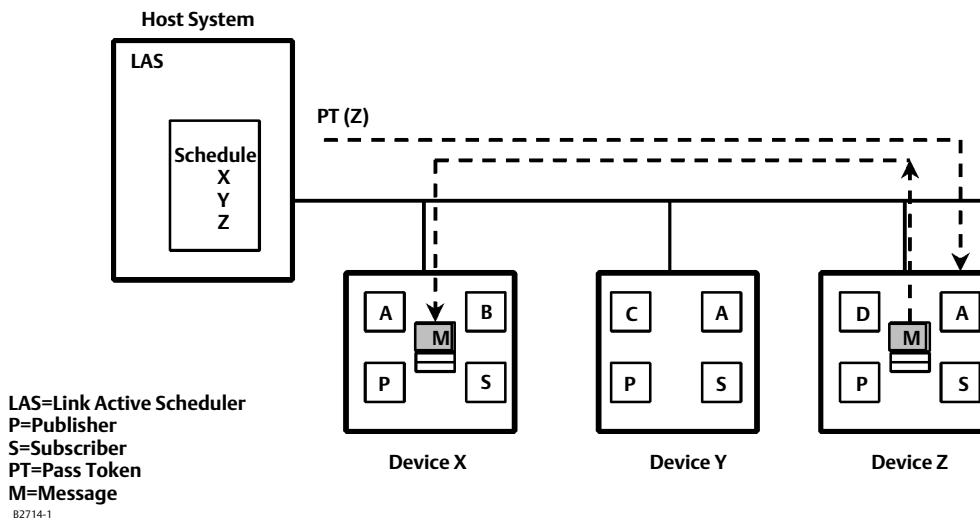
Figure D-4. Scheduled Data Transfer



## Unscheduled Transfers

Figure D-5 diagrams an unscheduled transfer. Unscheduled transfers are used for things like user-initiated changes, including set point changes, mode changes, tuning changes, and upload/download. Unscheduled transfers use either report distribution or client/server type of reporting for transferring data.

Figure D-5. Unscheduled Data Transfer



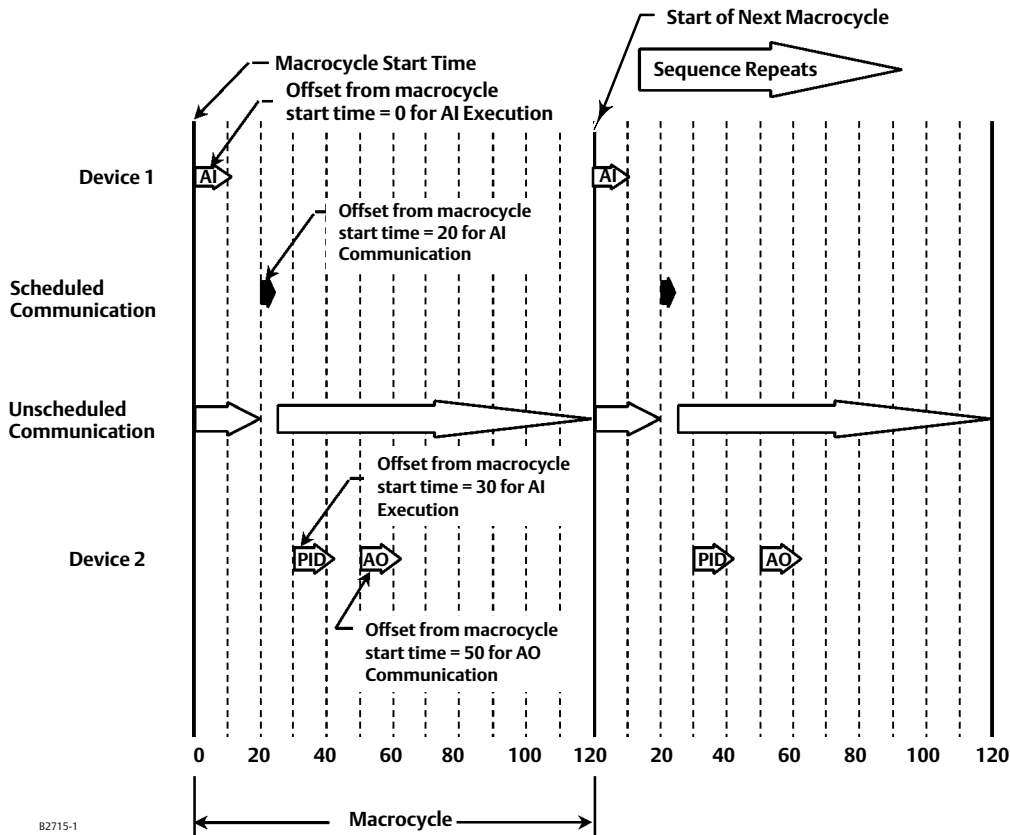
All of the devices on the fieldbus are given a chance to send unscheduled messages between transmissions of scheduled data. The LAS grants permission to a device to use the fieldbus by issuing a pass token (PT) message to the device. When the device receives the PT, it is allowed to send messages until it has finished or until the “maximum token hold time” has expired, whichever is the shorter time. The message may be sent to a single destination or to multiple destinations.

- **Report Distribution:** This type of communication is used to broadcast and multicast event and trend reports.
- **Client/Server:** This type of communication is used for request/ response exchanges between pairs of devices, such as a set point change. Like Report Distribution reporting, the transfers are queued, unscheduled, and prioritized. Queued means the messages are sent and received in the order submitted for transmission, according to their priority, without overwriting previous messages.

## Function Block Scheduling

Figure D-6 shows an example of a link schedule. A single iteration of the link-wide schedule is called the macrocycle. When the system is configured and the function blocks are linked, a master link-wide schedule is created for the LAS. Each device maintains its portion of the link-wide schedule, known as the Function Block Schedule. The Function Block Schedule indicates when the function blocks for the device are to be executed. The scheduled execution time for each function block is represented as an offset from the beginning of the macrocycle start time.

Figure D-6. Example Link Schedule Showing Scheduled and Unscheduled Communication



To support synchronization of schedules, periodically Link Scheduling (LS) time is distributed. The beginning of the macrocycle represents a common starting time for all Function Block schedules on a link and for the LAS link-wide schedule. This permits function block executions and their corresponding data transfers to be synchronized in time.

## Network Management

Information for setting up network communications, including Virtual Communication Relationships (VCRs), host timer recommendations, and other network parameters, can be found in the capabilities file (.cff) available from the website [www.FIELDVUE.com](http://www.FIELDVUE.com) or from the Fieldbus Foundation website.

# Appendix E Device Description Installation

## Overview

Several support files are required for the DVC6200f digital valve controller. They are:

- **Device Description (DD) files**—These files define the data interface to the digital valve controller (file extensions .sym and .ffo).
- **Capabilities File**—These files allow a host to configure the control system off-line (e.g., without having a device physically attached to the host) (file extension .cff).
- **DeltaV Registry File**—This file is used by DeltaV to define the device interface (file extension .reg)
- **DeltaV fhx File**—This file is used by DeltaV to define the device and the data interface to the device (file extension .fhx).
- **DeltaV Windows Resource File**—These files define the user interface for the device for DeltaV and include the definitions for the transducer block interface and the resource block interface (file extension .dll).

The directory structure defined by the Fieldbus Foundation for device descriptions is as follows:

```
....\xxxxxx\yyyy\rrddcc.eee
```

where:

- ....\ is the path to the DD structure as implemented by the host system. This is typically defined as the base path to the DD since access to the specific device DD is predefined from the base folder. For a DeltaV system, the DDs are included with the support files and are located in a folder named “amsdevices.” For other hosts, the Fieldbus Foundation defines a folder named “release” that is included with the CD-ROM, however, you do not need to retain this folder name.
- xxxxxx is the 6-digit hexadecimal equivalent of the manufacturer's identification number as defined by the Fieldbus Foundation. Fisher Controls' ID number is 5100 (or in the folder format 005100). This number is also stored in the instrument Resource Block in the parameter Mfg ID (parameter name MANUFAC\_ID).
- yyyy is the 4-digit hexadecimal equivalent of the device type, as defined by the manufacturer. For example, the device type for the DVC6200f digital valve controller is 4602. This number is stored in the instrument Resource Block in the parameter Device Type (parameter name DEV\_TYPE).
- rr is the 2-digit hexadecimal equivalent of the device revision, as defined by the manufacturer. It is stored in the instrument Resource Block in the parameter Device Revision (parameter name DEV\_REV).
- dd is the 2-digit hexadecimal equivalent of the device description (DD) revision that applies to the device, as defined by the manufacturer. The host will always use the latest version of the DD that it finds for a particular device revision. When part of the name of a capabilities file, this value is always the same as the value of the DD\_REV parameter stored in the Resource Block of the instrument. The value of the DD\_REV parameter represents the earliest version of the DD that is compatible with the device revision of the instrument.
- cc is a 2-digit hexadecimal equivalent for the capabilities files (.cff) revision, as defined by the manufacturer. The latest revision of the capabilities files, for a particular device revision, is the file with the largest value for this number.
- eee is the file extension. At this time, five extensions exist for files, they are:
  - .sym—This extension denotes a device description (DD) symbol file as defined by the Fieldbus Foundation.

- .ffo—This extension denotes a complete, tokenized, device description for the instrument as defined by the Fieldbus Foundation.
- .cff—This extension denotes a capabilities file for the instrument as defined by the FOUNDATION Fieldbus Common File Format specification.
- .fhx—This extension denotes a DeltaV device definition file.
- .dll—This extension denotes a windows resource file used by DeltaV.
- .reg—This extension denotes a DeltaV registry file.
- .alm—This extension denotes a DeltaV alarm file (DeltaV version 6 only).

## Device Description and Methods

FOUNDATION fieldbus technology uses Device Descriptions (DD) and function blocks to achieve interoperability between instruments and control systems or hosts from various manufacturers. The DD provides information to describe the data interface to the device.

The following table describes the compatibility between the DVC6200f firmware revisions and DD revisions.

Device Description Compatibility	
Firmware Revision	DD Compatibility
2.0	2 and 3

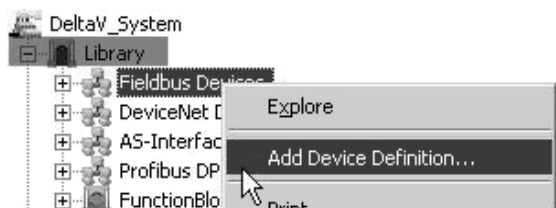
For fieldbus devices, in addition to providing parameter definitions and other information required by the control system to communicate with the fieldbus device, the DD may also include methods. Methods can be used for a variety of functions including automatic calibration, setting protection, setting up the instrument, etc. These methods are a predetermined sequence of steps for information required to setup, calibrate, and perform other functions on the instrument. How the method prompts the user, and how messages appear is determined by the host system. For information on using methods on the host system see the appropriate host system documentation.

Table E-1 contains the methods available in the DVC6200f, the block it is found in, and the page number where it is described.

## Installing DD on a DeltaV ProfessionalPLUS Workstation

The following is general information that may apply when installing the DD on a DeltaV system during the Add Device Definition procedure. This procedure is accessed from the DeltaV/Library, as shown in figure E-1. For complete information, refer to the DeltaV documentation.

Figure E-1. Add Device Definition



**Note**

Before beginning the Add Device Definition procedure, it is recommended that the Add Device Utility be installed on DeltaV. This may help prevent installation errors from occurring.

**Table E-1. Methods**

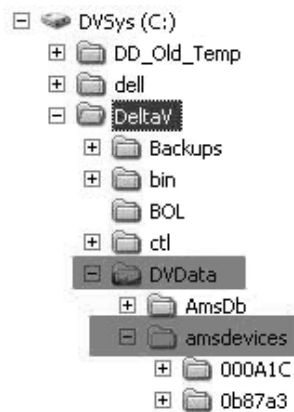
Method	Block	Description Location
Auto Calibration	Transducer	page 190
Block Error Reporting	Transducer	page 62
Block Mode	Transducer	page 38
	Resource	page 21
Display DD Version	Resource	page 277
Instrument Alerts	Transducer	page 45
Manual Travel Calibration	Transducer	page 190
Output A Sensor Calibration	Transducer	page 193
Output B Sensor Calibration	Transducer	page 193
PlantWeb Alerts	Transducer	page 45
Relay Adjust	Transducer	page 191
Reset Options	Resource	page 197
Device Setup	Transducer	page 16
Stabilize/Optimize	Transducer	page 40
Stroke Valve	Transducer	page 204
Supply Sensor Calibration	Transducer	page 192
Define Custom Characteristic	Transducer	page 44
Travel Deviation Fallback	Transducer	page 43
Outblock Selection	Transducer	page 45
PlantWeb Alerts Set PV Status	Transducer	page 62
Performance Tuner	Transducer	page 20, 40

**Note**

Be sure to select the correct DD for the DeltaV revision being used. The resource files are different for each revision of DeltaV.

- Device descriptions furnished by Fisher contain only those files applicable to Fisher. All the files are located in the manufacturer ID Folder (005100 for xxxxxx in directory structure above). A readme file is included at the top level. Read this file for any additional information regarding DD installation.
- Device descriptions furnished by the Fieldbus Foundation (on CD-ROM or diskette) contain the files for each registered manufacturer and their associated device(s). It is placed on the media starting with the release folder, which then contains a folder (xxxxxx) for each manufacturer as defined above. For Fisher this folder is 005100. A readme file may be included at the top level. Read this file for any additional information regarding the DD.
- For the DVC6200f—The device type parameter for this unit is 4602. This device includes the AO, PID, ISEL, OS, AI, MAI, DO and DI function blocks. From DeltaV Explorer, select the amsdevices\005100\4602 folder (refer to figure E-2).

Figure E-2. amsdevices folder



- The most recent device description for Fisher devices can be downloaded from the internet at [www.FIELDVUE.com](http://www.FIELDVUE.com). If you are downloading from the internet, the file on the website will be compressed (zipped) and must be decompressed (unzipped) before proceeding. Refer to the website download and installation procedures for setting up the DD on your system. Note the folder where the decompressed files are placed. This information will be required later in the installation procedure.

**Note**

Record any warning/error messages from the message window in DeltaV Explorer so that it can be communicated to the DeltaV Technical Support Group.

## Installing DDs on Other Fieldbus Host Systems

The following is a generic procedure for installing the device descriptions on a host system. Refer to your host system documentation for specific information. In general the following may apply:

- Device descriptions furnished by Fisher contain only those files applicable to Fisher. All the files are located in the manufacturer ID Folder (005100 for xxxxxx in directory structure above). A readme file is included at the top level. Read this file for any additional information regarding DD installation.
- Device descriptions furnished by the Fieldbus Foundation (on CD-ROM or diskette) contain the files for each registered manufacturer and their associated device(s). It is placed on the media starting with the release folder, which then contains a folder (xxxxxx) for each manufacturer as defined above. For Fisher this folder is 005100. A readme file may be included at the top level. Read this file for any additional information regarding the DD.
- For the DVC6200f Digital Valve Controller—The device type parameter for this unit is 4602. This device includes the AO, PID, ISEL, OS, AI, MAI, DO and DI function blocks. From Windows Explorer, select the release\005100\4602 folder.
- The most recent device description for Fisher devices can be downloaded from the internet at [www.fisher.com](http://www.fisher.com). If you are downloading from the internet, the file on the website will be compressed (zipped) and must be decompressed (unzipped) before proceeding. Refer to the website download and installation procedures for setting

up the DD on your system. Note the folder where the decompressed files are placed. This information will be required later in the installation procedure.

---

**Note**

This procedure will install the necessary Device Description files (\*.ffo and \*.sym), and Capabilities file (\*.cff) for the device.

---

1. Locate or create the folder on the host system to contain all the DD and capabilities files.

If you are creating a folder, you can name this new folder whatever you would like and it can have any path you define. For this installation procedure, this folder will be referred to as the base folder.

2. On the CD-ROM or in the website download files, locate the folder with the new support files. This folder is called \RELEASE.
3. Open this folder and select the folder named 005100.
4. Copy the 005100 folder (and all its subfolders) from the CD-ROM or website download location to the base folder.

If this is an update (the folders already exist), the system informs you that the folders already exist and asks if they should be replaced. Answer Yes or OK so the folders are properly updated.

5. The new support files are now installed. You may have to restart applications and drivers in order for the new files to become active.

DD installation is complete. Consult the system documentation for commissioning new devices or updating existing devices.

## Displaying the Device Description Version

You can use the DD In Use method to display version information for the device descriptions installed on the system. The DD in Use method is included with the device description (DD) software. For information on using methods, see the host system documentation.

DD in Use displays the version number displayed in the format: device type.device revision.DD revision. The Min Compatible DD revision displayed is the latest device description revision that is compatible with the displayed device revision.

This method is available via the resource block.





# Appendix F Operating with a DeltaV System

## Process Systems DeltaV System

### Getting Started with DeltaV Host Systems

- Appropriate Device Descriptions (DDs) installed. See the Device Description Compatibility table on page 274. For DD installation information see Appendix E.
- Digital valve controller correctly mounted on actuator. For mounting information see the Installation section of this manual and the instructions included with the mounting kit.
- Utilities connected. For information on making pneumatic and electrical connections, see the Installation section of this manual. For information on applying power to the segment, see DeltaV books online.
- Instrument in standby. For information on placing the instrument in standby, see DeltaV books online.
- Perform the initial setup. See the Basic Setup section of this manual. If the valve is shipped from the factory mounted on an actuator, perform basic setup only to verify setup is correct and valve operation is satisfactory.
- Device Commissioned. For information on commissioning a device, see DeltaV books online.
- Additional configuration required, such as setting alarms, cutoffs, and other resource block and transducer block parameters. See the Detailed Setup section of this manual.
- Control strategy defined. For information on defining a control strategy, see DeltaV books online.
- Associate I/O with device. See DeltaV books online.
- Download device. See DeltaV books online.

Table F-1. Transducer Block (TB) Parameters - Configuration Index

Parameter Label	Path to Parameter
Actual Travel	TB > Configure/Setup > Detailed Setup > Valve and Actuator > Valve > Actual Travel
Actuator Fail Action	TB > Configure/Setup > Detailed Setup > Valve and Actuator > Actuator > Actuator Fail Action
Actuator Manufacturer ID	TB > Configure/Setup > Detailed Setup > Valve and Actuator > Actuator > Actuator Manufacturer ID
Actuator Model Number	TB > Configure/Setup > Detailed Setup > Valve and Actuator > Actuator > Actuator Model Number
Actuator Serial Number	TB > Configure/Setup > Detailed Setup > Valve and Actuator > Actuator > Actuator Serial Number
Actuator Size	TB > Configure/Setup > Detailed Setup > Valve and Actuator > Actuator > Actuator Size
Actuator Style	TB > Configure/Setup > Detailed Setup > Valve and Actuator > Actuator > Actuator Style
Air	TB > Configure/Setup > Detailed Setup > Valve and Actuator > Actuator > Air
Alert Conditions	TB > Device Diagnostics > Status > Transducer Block Error: Block Configuration Error
Alert Key	TB > Configure/Setup > Detailed Setup > Alerts > Configuration > Alert Key
Area Units	TB > Configure/Setup > Detailed Setup > Instrument > Units: Area Units
Block Configuration Error	TB > Device Diagnostics > Status > Transducer Block Error: Block Configuration Error
Blocks Set to Default Alert	TB > Configure/Setup > Detailed Setup > Alerts > Configuration > Blocks Set to Default: Block Set to Default Alert
Blocks Set to Default Alert Enable	TB > Configure/Setup > Detailed Setup > Alerts > Configuration > Blocks Set to Default: Block Set to Default Alert Enable
Calibration Date	TB > Configure/Setup > Detailed Setup > Instrument > Calibration: Calibration Date
Calibration Location	TB > Configure/Setup > Detailed Setup > Instrument > Calibration: Calibration Location
Calibration Person	TB > Configure/Setup > Detailed Setup > Instrument > Calibration: Calibration Person
Cycle Count	TB > Configure/Setup > Detailed Setup > Alerts > Travel History > Cycle Counter: Cycle Count TB > Device Variables > Overview > Cycle Count
Cycle Count Alert	TB > Configure/Setup > Detailed Setup > Alerts > Travel History > Cycle Counter: Cycle Count Alert
Cycle Count Alert Enable	TB > Configure/Setup > Detailed Setup > Alerts > Travel History > Cycle Counter: Cycle Count Alert Enable
Cycle Count Alert Point	TB > Configure/Setup > Detailed Setup > Alerts > Travel History > Cycle Counter: Cycle Count Alert Point
Cycle Count Deadband	TB > Configure/Setup > Detailed Setup > Alerts > Travel History > Cycle Counter: Cycle Count Deadband
Device Needs Maintenance Now	TB > Device Diagnostics > Status > Transducer Block Error: Device Needs Maintenance Now
Drive Current	TB > Configure/Setup > Detailed Setup > Alerts > Electronic > Drive Current: Drive Current
Drive Current Alert	TB > Device Diagnostics > Status > Self Test Status: Drive Current Alert TB > Configure/Setup > Detailed Setup > Alerts > Electronic > Drive Current: Drive Current Alert
Drive Current Alert Enable	TB > Configure/Setup > Detailed Setup > Alerts > Electronic > Drive Current: Drive Current Alert Enable
Drive Current Alert Point	TB > Configure/Setup > Detailed Setup > Alerts > Electronic > Drive Current: Drive Current Alert Point
Drive Current Alert Time	TB > Configure/Setup > Detailed Setup > Alerts > Electronic > Drive Current: Drive Current Alert Time
Drive Current Manual Recovery	TB > Configure/Setup > Detailed Setup > Alerts > Electronic > Drive Current: Drive Current Manual Recovery
Drive Current Shutdown	TB > Configure/Setup > Detailed Setup > Alerts > Electronic > Drive Current: Drive Current Shutdown
Drive Signal	TB > Configure/Setup > Detailed Setup > Alerts > Electronic > Drive Signal: Drive Signal TB > Device Variables > Overview > Drive Signal
Drive Signal Alert	TB > Configure/Setup > Detailed Setup > Alerts > Electronic > Drive Signal: Drive Signal Alert
Drive Signal Alert Enable	TB > Configure/Setup > Detailed Setup > Alerts > Electronic > Drive Signal: Drive Signal Alert Enable
Effective Area	TB > Configure/Setup > Detailed Setup > Valve and Actuator > Actuator > Effective Area
Feedback Connection	TB > Configure/Setup > Detailed Setup > Valve and Actuator > Actuator > Feedback Connection
Flow Direction	TB > Configure/Setup > Detailed Setup > Valve and Actuator > Trim > Flow Direction
Flow Tends To	TB > Configure/Setup > Detailed Setup > Valve and Actuator > Trim > Flow Tends To
I/O Processor Alert	TB > Configure/Setup > Detailed Setup > Alerts > Electronic > Processor Impaired: I/O Processor Alert
I/O Processor Alert Enable	TB > Configure/Setup > Detailed Setup > Alerts > Electronic > Processor Impaired: I/O Processor Alert Enable
I/O Processor Manual Recovery	TB > Configure/Setup > Detailed Setup > Alerts > Electronic > Processor Impaired: I/O Processor Man Recovery
I/O Processor Shutdown	TB > Configure/Setup > Detailed Setup > Alerts > Electronic > Processor Impaired: I/O Processor Shutdown
Inlet Pressure	TB > Configure/Setup > Detailed Setup > Valve and Actuator > Valve > Inlet Pressure
Input Characterization	TB > Configure/Setup > Detailed Setup > Response Control > Input Characterization > Input Characterization TB > Device Variables > Overview > Input Characterization
Integrator Limited Hi	TB > Device Diagnostics > Status > Self Test Status: Integrator Limited Hi
Integrator Limited Lo	TB > Device Diagnostics > Status > Self Test Status: Integrator Limited Lo
Integrator Suspended	TB > Device Diagnostics > Status > Self Test Status: Integrator Suspended
IOP Failure	TB > Device Diagnostics > Status > Self Test Status: IOP Failure
Last Valid Point	TB > Configure/Setup > Detailed Setup > Response Control > Input Characterization > Last Valid Point
Leak Class	TB > Configure/Setup > Detailed Setup > Valve and Actuator > Trim > Leak Class
Length Units	TB > Configure/Setup > Detailed Setup > Instrument > Units: Length Units

-Continued-

Table F-1. Transducer Block (TB) Parameters - Configuration Index (Continued)

Parameter Label	Path to Parameter
Lever Style	TB > Configure/Setup > Detailed Setup > Valve and Actuator > Actuator > Lever Style
Lost Static Data	TB > Device Diagnostics > Status > Transducer Block Error: Lost Static Data
Lower Bench Set	TB > Configure/Setup > Detailed Setup > Valve and Actuator > Actuator > Lower Bench Set
MAI Channel 1	TB > Configure/Setup > Detailed Setup > MAI Channel Map > MAI Channel 1
MAI Channel 2	TB > Configure/Setup > Detailed Setup > MAI Channel Map > MAI Channel 2
MAI Channel 3	TB > Configure/Setup > Detailed Setup > MAI Channel Map > MAI Channel 3
MAI Channel 4	TB > Configure/Setup > Detailed Setup > MAI Channel Map > MAI Channel 4
MAI Channel 5	TB > Configure/Setup > Detailed Setup > MAI Channel Map > MAI Channel 5
MAI Channel 6	TB > Configure/Setup > Detailed Setup > MAI Channel Map > MAI Channel 6
MAI Channel 7	TB > Configure/Setup > Detailed Setup > MAI Channel Map > MAI Channel 7
MAI Channel 8	TB > Configure/Setup > Detailed Setup > MAI Channel Map > MAI Channel 8
Maximum Supp Pressure	TB > Configure/Setup > Detailed Setup > Instrument > Application: Max Supp Pressure
MLFB Error	TB > Device Diagnostics > Status > Self Test Status: MLFB Error
Moment Arm Length	TB > Configure/Setup > Detailed Setup > Valve and Actuator > Actuator > Moment Arm
Nominal Supply Pressure	TB > Configure/Setup > Detailed Setup > Valve and Actuator > Actuator > Nominal Supply Pressure
Out of Service	TB > Device Diagnostics > Status > Transducer Block Error: Out of Service
Outlet Pressure	TB > Configure/Setup > Detailed Setup > Valve and Actuator > Valve > Outlet Pressure
Output Block Timeout	TB > Configure/Setup > Detailed Setup > Alerts > Configuration > Output Block Timeout: Output Blk Timeout
Output Block Timeout Alert	TB > Configure/Setup > Detailed Setup > Alerts > Configuration > Output Block Timeout: Output Block Timeout Alert
Output Block Timeout Alert Enable	TB > Configure/Setup > Detailed Setup > Alerts > Configuration > Output Block Timeout: Output Block Timeout Alert Enable
Output Block Timeout Manual Recovery	TB > Configure/Setup > Detailed Setup > Alerts > Configuration > Output Block Timeout: Output Block Timeout Manual Recovery
Output Block Timeout Shutdown	TB > Configure/Setup > Detailed Setup > Alerts > Configuration > Output Block Timeout: Output Block Timeout Shutdown
Packing Type	TB > Configure/Setup > Detailed Setup > Valve and Actuator > Valve > Packing Type
PD Inside Status	TB > Configure/Setup > Detailed Setup > Alerts > Performance > PD Inside Status
PD Inside Status	TB > Device Variables > Overview > PD Inside Status
PD Run	TB > Configure/Setup > Detailed Setup > Alerts > Performance > PD Run
Performance Critical Alert	TB > Configure/Setup > Detailed Setup > Alerts > Performance > Performance Critical: Performance Critical Alert
Performance Critical Alert Enable	TB > Configure/Setup > Detailed Setup > Alerts > Performance > Performance Critical: Performance Critical Alert Enable
Performance Information Alert	TB > Configure/Setup > Detailed Setup > Alerts > Performance > Performance Information: Performance Information Alert
Performance Information Alert Enable	TB > Configure/Setup > Detailed Setup > Alerts > Performance > Performance Information: Performance Information Alert Enable
Performance Reduced Alert	TB > Configure/Setup > Detailed Setup > Alerts > Performance > Performance Reduced: Performance Reduced Alert
Performance Reduced Alert Enable	TB > Configure/Setup > Detailed Setup > Alerts > Performance > Performance Reduced: Performance Reduced Alert Enable
Performance Tuner <sup>(1)</sup>	TB > Configure/Setup > Basic Setup > Performance Tuner
Port Diameter	TB > Configure/Setup > Detailed Setup > Valve and Actuator > Trim > Port Diameter
Port Type	TB > Configure/Setup > Detailed Setup > Valve and Actuator > Trim > Port Type
Pressure A Sensor Alert	TB > Configure/Setup > Detailed Setup > Alerts > Sensor > Pressure Sensors: Pressure A Sensor Alert
Pressure A Sensor Alert Enable	TB > Configure/Setup > Detailed Setup > Alerts > Sensor > Pressure Sensors: Pressure A Sensor Alert Enable
Pressure A Sensor Manual Recovery	TB > Configure/Setup > Detailed Setup > Alerts > Sensor > Pressure Sensors: Pressure A Sensor Manual Recovery
Pressure A Sensor Shutdown	TB > Configure/Setup > Detailed Setup > Alerts > Sensor > Pressure Sensors: Pressure A Sensor Shutdown
Pressure B Sensor Alert	TB > Configure/Setup > Detailed Setup > Alerts > Sensor > Pressure Sensors: Pressure B Sensor Alert
Pressure B Sensor Alert Enable	TB > Configure/Setup > Detailed Setup > Alerts > Sensor > Pressure Sensors: Pressure B Sensor Alert Enable
Pressure Cutoff Close	TB > Configure/Setup > Detailed Setup > Response Control > Travel / Pressure Control > Pressure Control: Pressure Cutoff Close
Pressure Cutoff Open	TB > Configure/Setup > Detailed Setup > Response Control > Travel / Pressure Control > Pressure Control: Pressure Cutoff Open
Pressure Integral Deadzone	TB > Configure/Setup > Detailed Setup > Response Control > Pressure Tuning: Pressure Integral Deadzone
Pressure Integral Gain	TB > Configure/Setup > Detailed Setup > Response Control > Pressure Tuning: Pressure Integral Gain
Pressure Integral Limit Hi	TB > Configure/Setup > Detailed Setup > Response Control > Pressure Tuning: Pressure Integral Limit Hi
Pressure Integral Limit Lo	TB > Configure/Setup > Detailed Setup > Response Control > Pressure Tuning: Pressure Integral Limit Lo
Pressure MLFB Gain	TB > Configure/Setup > Detailed Setup > Response Control > Pressure Tuning: Pressure MLFB Gain
Pressure Proportional Gain	TB > Configure/Setup > Detailed Setup > Response Control > Pressure Tuning: Pressure Prop Gain
Pressure Range Hi	TB > Configure/Setup > Detailed Setup > Response Control > Travel / Pressure Control > Pressure Control: Pressure Range Hi
Pressure Range Lo	TB > Configure/Setup > Detailed Setup > Response Control > Travel / Pressure Control > Pressure Control: Pressure Range Lo
Pressure Tuning Set	TB > Configure/Setup > Detailed Setup > Response Control > Pressure Tuning: Pressure Tuning Set

-Continued-

Table F-1. Transducer Block (TB) Parameters - Configuration Index (Continued)

Parameter Label	Path to Parameter
Pressure A	TB > Device Variables > Overview > Pressures: Pressure A
Pressure A Sensor Failure	TB > Device Diagnostics > Status > Self Test Status: Pressure A Sensor Failure
Pressure B	TB > Device Variables > Overview > Pressures: Pressure B
Pressure B Sensor Failure	TB > Device Diagnostics > Status > Self Test Status: Pressure B Sensor Failure
Pressure Differential	TB > Device Variables > Overview > Pressures: Pressure Diff
Pressure Fallback Alert	TB > Configure/Setup > Detailed Setup > Alerts > Sensor > Pressure Fallback: Pressure Fallback Alert
Pressure Fallback Alert Enable	TB > Configure/Setup > Detailed Setup > Alerts > Sensor > Pressure Fallback: Pressure Fallback Alert Enable
Pressure Units	TB > Configure/Setup > Detailed Setup > Instrument > Units: Pressure Units
Processor Alert	TB > Configure/Setup > Detailed Setup > Alerts > Electronic > Processor Impaired: Processor Alert
Processor Alert Enable	TB > Configure/Setup > Detailed Setup > Alerts > Electronic > Processor Impaired: Processor Alert Enable
Program Memory Alert Enable	TB > Configure/Setup > Detailed Setup > Alerts > Electronic > Processor Impaired: Program Memory Alert Enable
Program Memory Manual Recovery	TB > Configure/Setup > Detailed Setup > Alerts > Electronic > Processor Impaired: Program Memory Manual Recovery
Program Memory Shutdown	TB > Configure/Setup > Detailed Setup > Alerts > Electronic > Processor Impaired: Program Memory Shutdown
Program Memory Alert	TB > Configure/Setup > Detailed Setup > Alerts > Electronic > Processor Impaired: Program Memory Alert
Protection	TB > Device Variables > Overview > Protection
Proximity Hi Alert	TB > Configure/Setup > Detailed Setup > Alerts > Proximity > Proximity: Proximity Hi Alert
Proximity Hi Alert Enable	TB > Configure/Setup > Detailed Setup > Alerts > Proximity > Proximity: Proximity Hi Alert Enable
Proximity Hi Hi Alert	TB > Configure/Setup > Detailed Setup > Alerts > Proximity > Proximity: Proximity Hi Hi Alert
Proximity Hi Hi Alert Enable	TB > Configure/Setup > Detailed Setup > Alerts > Proximity > Proximity: Proximity Hi Hi Alert Enable
Proximity Lo Alert	TB > Configure/Setup > Detailed Setup > Alerts > Proximity > Proximity: Proximity Lo Alert
Proximity Lo Alert Enable	TB > Configure/Setup > Detailed Setup > Alerts > Proximity > Proximity: Proximity Lo Alert Enable
Proximity Lo Lo Alert	TB > Configure/Setup > Detailed Setup > Alerts > Proximity > Proximity: Proximity Lo Lo Alert
Proximity Lo Lo Alert Enable	TB > Configure/Setup > Detailed Setup > Alerts > Proximity > Proximity: Proximity Lo Lo Alert Enable
Push Down To	TB > Configure/Setup > Detailed Setup > Valve and Actuator > Trim > Push Down To
Simulate PlantWeb Alerts	TB > Configure/Setup > Detailed Setup > Alert Handling > Simulate PlantWeb Alerts
Rated Travel	TB > Configure/Setup > Detailed Setup > Valve and Actuator > Valve > Rated Travel
Relay Type	TB > Configure/Setup > Detailed Setup > Instrument > Application: Relay Type
Seat Type	TB > Configure/Setup > Detailed Setup > Valve and Actuator > Trim > Seat Type
Setpoint	TB > Device Variables > Overview > AO Control-Pre-Characterization: Setpoint
Setpoint Status	TB > Device Variables > Overview > AO Control-Pre-Characterization: Setpoint Status
Setpoint(D)	TB > Device Variables > Overview > DO Control: Setpoint(D)
Shaft Stem Diameter	TB > Configure/Setup > Detailed Setup > Valve and Actuator > Valve > Shaft Stem Dia
Simulate Active	TB > Device Diagnostics > Status > Transducer Block Error: Simulate Active
Simulate Jumper ON	TB > Device Diagnostics > Status > Self Test Status: Simulate Jumper ON
Spring Rate	TB > Configure/Setup > Detailed Setup > Valve and Actuator > Actuator > Spring Rate
Spring Rate Units	TB > Configure/Setup > Detailed Setup > Instrument > Units: Spring Rate Units
Static Memory Alert	TB > Configure/Setup > Detailed Setup > Alerts > Electronic > Processor Impaired: Static Memory Alert
Static Memory Alert Enable	TB > Configure/Setup > Detailed Setup > Alerts > Electronic > Processor Impaired: Static Memory Alert Enable
Static Memory Manual Recovery	TB > Configure/Setup > Detailed Setup > Alerts > Electronic > Processor Impaired: Static Memory Manual Recovery
Static Memory Shutdown	TB > Configure/Setup > Detailed Setup > Alerts > Electronic > Processor Impaired: Static Memory Shutdown
Stroke Time Close	TB > Configure/Setup > Detailed Setup > Valve and Actuator > Reference > Stroke Time Close
Stroke Time Open	TB > Configure/Setup > Detailed Setup > Valve and Actuator > Reference > Stroke Time Open
Supply Pressure Maximum	TB > Device Diagnostics > Device Record > Supp Pressure Max
Supply Pressure Maximum Time	TB > Device Diagnostics > Device Record > Supp Pressure Maximum Time
Supp Pressure Minimum	TB > Device Diagnostics > Device Record > Supp Pressure Minimum
Supp Pressure Minimum Time	TB > Device Diagnostics > Device Record > Supp Pressure Minimum Time
Supply Pressure	TB > Configure/Setup > Detailed Setup > Alerts > Environment > Supply Pressure: Supply Pressure
Supply Pressure	TB > Device Variables > Overview > Pressures: Supply Pressure
Supply Pressure Hi Alert	TB > Configure/Setup > Detailed Setup > Alerts > Environment > Supply Pressure: Supply Pressure Hi Alert
Supply Pressure Hi Alert Enable	TB > Configure/Setup > Detailed Setup > Alerts > Environment > Supply Pressure: Pressure Hi Alert Enable
Supply Pressure Hi Alert Point	TB > Configure/Setup > Detailed Setup > Alerts > Environment > Supply Pressure: Supply Pressure Hi Alert Point
Supply Pressure Lo Alert	TB > Configure/Setup > Detailed Setup > Alerts > Environment > Supply Pressure: Supply Pressure Lo Alert
Supply Pressure Lo Alert Enable	TB > Configure/Setup > Detailed Setup > Alerts > Environment > Supply Pressure: Supply Pressure Lo Alert Enable
Supply Pressure Lo Alert Point	TB > Configure/Setup > Detailed Setup > Alerts > Environment > Supply Pressure: Supply Pressure Lo Alert Point

-Continued-

Table F-1. Transducer Block (TB) Parameters - Configuration Index (Continued)

Parameter Label	Path to Parameter
Supply Pressure Sensor Alert	TB > Configure/Setup > Detailed Setup > Alerts > Sensor > Pressure Sensors: Supply Pressure Sensor Alert
Supply Pressure Sensor Alert Enable	TB > Configure/Setup > Detailed Setup > Alerts > Sensor > Pressure Sensors: Supply Pressure Sensor Alert Enable
Supply Sensor Failure	TB > Device Diagnostics > Status > Self Test Status: Supply Sensor Failure
Tag Description	TB > Configure/Setup > Detailed Setup > Instrument > Tag Description
Temperature Hi Alert Point	TB > Configure/Setup > Detailed Setup > Alerts > Environment > Temperature Limit: Temperature Hi Alert Point
Temperature Lo Alert Point	TB > Configure/Setup > Detailed Setup > Alerts > Environment > Temperature Limit: Temperature Lo Alert Point
Temperature Maximum	TB > Device Diagnostics > Device Record > Temperature Maximum
Temperature Maximum Time	TB > Device Diagnostics > Device Record > Temperature Maximum Time
Temperature Minimum	TB > Device Diagnostics > Device Record > Temperature Minimum
Temperature Minimum Time	TB > Device Diagnostics > Device Record > Temperature Minimum Time
Temperature	TB > Configure/Setup > Detailed Setup > Alerts > Environment > Temperature Limit: Temperature TB > Device Variables > Overview > Temperature
Temperature Hi Alert	TB > Configure/Setup > Detailed Setup > Alerts > Environment > Temperature Limit: Temperature Hi Alert
Temperature Hi Alert Enable	TB > Configure/Setup > Detailed Setup > Alerts > Environment > Temperature Limit: Temperature Hi Alert Enable
Temperature Lo Alert	TB > Configure/Setup > Detailed Setup > Alerts > Environment > Temperature Limit: Temperature Lo Alert
Temperature Lo Alert Enable	TB > Configure/Setup > Detailed Setup > Alerts > Environment > Temperature Limit: Temperature Lo Alert Enable
Temperature Lo Alert Point	TB > Configure/Setup > Detailed Setup > Alerts > Environment > Temperature Limit: Temperature Lo Alert Point
Temperature Sensor Alert	TB > Configure/Setup > Detailed Setup > Alerts > Sensor > Temperature Sensor: Temperature Sensor Alert
Temperature Sensor Alert Enable	TB > Configure/Setup > Detailed Setup > Alerts > Sensor > Temperature Sensor: Temperature Sensor Alert Enable
Temperature Units	TB > Configure/Setup > Detailed Setup > Instrument > Units: Temperature Units
Travel	TB > Configure/Setup > Detailed Setup > Alerts > Proximity > Travel TB > Configure/Setup > Detailed Setup > Alerts > Travel > Travel TB > Device Variables > Overview > AO Control - Post-Characterization: Travel
Travel(D)	TB > Device Variables > Overview > DO Control: Travel(D)
Travel(DeChar)	TB > Device Variables > Overview > AO Control - Pre-Characterization: Travel(DeChar)
Travel Status	TB > Device Variables > Overview > AO Control - Post-Characterization: Travel Status
Trend	TB > Device Diagnostics > Trend
Trim Style 1	TB > Configure/Setup > Detailed Setup > Valve and Actuator > Reference > Trim Style 1
Trim Style 2	TB > Configure/Setup > Detailed Setup > Valve and Actuator > Reference > Trim Style 2
Travel Accumulator	TB > Configure/Setup > Detailed Setup > Alerts > Travel History > Travel Accumulator: Travel Accumulator TB > Device Variables > Overview > Travel Accumulator
Travel Accumulator Alert	TB > Configure/Setup > Detailed Setup > Alerts > Travel History > Travel Accumulator: Travel Accumulator Alert
Travel Accumulator Alert Enable	TB > Configure/Setup > Detailed Setup > Alerts > Travel History > Travel Accumulator: Travel Accumulator Alert Enable
Travel Accumulator Alert Point	TB > Configure/Setup > Detailed Setup > Alerts > Travel History > Travel Accumulator: Travel Accumulator Alert Point
Travel Accumulator Deadband	TB > Configure/Setup > Detailed Setup > Alerts > Travel History > Travel Accumulator: Travel Accumulator Deadband
Travel Closed Alert	TB > Configure/Setup > Detailed Setup > Alerts > Proximity > Travel Closed: Travel Closed Alert
Travel Closed Alert Enable	TB > Configure/Setup > Detailed Setup > Alerts > Proximity > Travel Closed: Travel Closed Alert Enable
Travel Closed Alert Point	TB > Configure/Setup > Detailed Setup > Alerts > Proximity > Travel Closed: Travel Closed Alert Point
Travel Closed Deadband	TB > Configure/Setup > Detailed Setup > Alerts > Proximity > Travel Closed: Travel Closed Deadband
Travel Count	TB > Device Variables > Overview > Travel Count
Travel Cutoff Hi	TB > Configure/Setup > Detailed Setup > Response Control > Travel / Pressure Control > Travel Control: Travel Cutoff Hi
Travel Cutoff Lo	TB > Configure/Setup > Detailed Setup > Response Control > Travel / Pressure Control > Travel Control: Travel Cutoff Lo
Travel Deviation Alert Point	TB > Configure/Setup > Detailed Setup > Alerts > Travel > Travel Deviation: Travel Deviation Alert Point
Travel Deviation Deadband	TB > Configure/Setup > Detailed Setup > Alerts > Travel: Travel Deviation Deadband
Travel Deviation Time	TB > Configure/Setup > Detailed Setup > Alerts > Travel: Travel Deviation Time
Travel Deviation Alert	TB > Configure/Setup > Detailed Setup > Alerts > Travel > Travel Deviation: Travel Deviation Alert
Travel Deviation Alert Enable	TB > Configure/Setup > Detailed Setup > Alerts > Travel > Travel Deviation: Travel Deviation Alert Enable
Travel Integral Deadzone	TB > Configure/Setup > Detailed Setup > Response Control > Travel Tuning: Travel Integral Deadzone
Travel Integral Enable	TB > Configure/Setup > Detailed Setup > Response Control > Travel Tuning: Travel Integral Enable
Travel Integral Limit Hi	TB > Configure/Setup > Detailed Setup > Response Control > Travel Tuning: Travel Integral Limit Hi
Travel Integral Limit Lo	TB > Configure/Setup > Detailed Setup > Response Control > Travel Tuning: Travel Integral Limit Lo
Travel Integral Gain	TB > Configure/Setup > Detailed Setup > Response Control > Travel Tuning: Travel Integral Gain
Travel Limit Hi Alert	TB > Configure/Setup > Detailed Setup > Alerts > Travel > Travel Limit Hi/Lo: Travel Limit Hi Alert
Travel Limit Hi Alert Enable	TB > Configure/Setup > Detailed Setup > Alerts > Travel > Travel Limit Hi/Lo: Travel Limit Hi Alert Enable

-Continued-

Table F-1. Transducer Block (TB) Parameters - Configuration Index (Continued)

Parameter Label	Path to Parameter
Travel Hi Alert Point	TB > Configure/Setup > Detailed Setup > Alerts > Travel > Travel Limit Hi/Lo: Travel Hi Alert Point
Travel Hi Deadband	TB > Configure/Setup > Detailed Setup > Alerts > Travel > Travel Limit Hi/Lo: Travel Hi Deadband
Travel Limit Hi Hi Alert	TB > Configure/Setup > Detailed Setup > Alerts > Travel > Travel Limit: Travel Limit Hi Hi Alert
Travel Limit Hi Hi Alert Enable	TB > Configure/Setup > Detailed Setup > Alerts > Travel > Travel Limit: Travel Limit Hi Hi Alert Enable
Travel Limit Hi Hi Alert Point	TB > Configure/Setup > Detailed Setup > Alerts > Travel > Travel Limit: Travel Hi Hi Alert Point
Travel Limit Hi Hi Deadband	TB > Configure/Setup > Detailed Setup > Alerts > Travel > Travel Limit: Travel Hi Hi Deadband
Travel Limit Lo Alert	TB > Configure/Setup > Detailed Setup > Alerts > Travel > Travel Limit Hi/Lo: Travel Limit Lo Alert
Travel Limit Lo Alert Enable	TB > Configure/Setup > Detailed Setup > Alerts > Travel > Travel Limit Hi/Lo: Travel Limit Lo Alert Enable
Travel Limit Lo Alert Point	TB > Configure/Setup > Detailed Setup > Alerts > Travel > Travel Limit Hi/Lo: Travel Lo Alert Point
Travel Limit Lo Deadband	TB > Configure/Setup > Detailed Setup > Alerts > Travel > Travel Limit Hi/Lo: Travel Lo Deadband
Travel Limit Lo Lo Alert	TB > Configure/Setup > Detailed Setup > Alerts > Travel > Travel Limit: Travel Limit Lo Lo Alert
Travel Limit Lo Lo Alert Enable	TB > Configure/Setup > Detailed Setup > Alerts > Travel > Travel Limit: Travel Limit Lo Lo Alert Enable
Travel Limit Lo Lo Alert Point	TB > Configure/Setup > Detailed Setup > Alerts > Travel > Travel Limit: Travel Lo Lo Alert Point
Travel Limit Lo Lo Deadband	TB > Configure/Setup > Detailed Setup > Alerts > Travel > Travel Limit: Travel Lo Lo Deadband
Travel MLFB Gain	TB > Configure/Setup > Detailed Setup > Response Control > Travel Tuning: Travel MLFB Gain
Travel Open Alert	TB > Configure/Setup > Detailed Setup > Alerts > Proximity > Travel Open: Travel Open Alert
Travel Open Alert Enable	TB > Configure/Setup > Detailed Setup > Alerts > Proximity > Travel Open: Travel Open Alert Enable
Travel Open Alert Point	TB > Configure/Setup > Detailed Setup > Alerts > Proximity > Travel Open: Travel Open Alert Point
Travel Open Deadband	TB > Configure/Setup > Detailed Setup > Alerts > Proximity > Travel Open: Travel Open Deadband
Travel Proportional Gain	TB > Configure/Setup > Detailed Setup > Response Control > Travel Tuning: Travel Proportional Gain
Travel Sensor Motion	TB > Configure/Setup > Detailed Setup > Valve and Actuator > Actuator > Travel Sensor Motion
Travel Sensor Alert	TB > Configure/Setup > Detailed Setup > Alerts > Sensor > Travel Sensor: Travel Sensor Alert
Travel Sensor Alert Enable	TB > Configure/Setup > Detailed Setup > Alerts > Sensor > Travel Sensor: Travel Sensor Alert Enable
Travel Sensor Hi Error	TB > Device Diagnostics > Status > Self Test Status: Travel Sensor Hi Error
Travel Sensor Lo Error	TB > Device Diagnostics > Status > Self Test Status: Travel Sensor Lo Error
Travel Sensor Manual Recovery	TB > Configure/Setup > Detailed Setup > Alerts > Sensor > Travel Sensor: Travel Sensor Manual Recovery
Travel Sensor Shutdown	TB > Configure/Setup > Detailed Setup > Alerts > Sensor > Travel Sensor: Travel Sensor Shutdown
Travel Sensor Span Error	TB > Device Diagnostics > Status > Self Test Status: Travel Sensor Span Error
Travel Target	TB > Configure/Setup > Detailed Setup > Alerts > Travel > Travel Target
Travel Target	TB > Device Variables > Overview > AO Control - Post-Characterization: Travel Target
Travel Tuning Set	TB > Configure/Setup > Detailed Setup > Response Control > Travel Tuning: Travel Tuning Set
Travel Units	TB > Configure/Setup > Detailed Setup > Instrument > Units > Travel Units
Travel Velocity Gain	TB > Configure/Setup > Detailed Setup > Response Control > Travel Tuning: Travel Velocity Gain
Travel/Pressure Select	TB > Configure/Setup > Detailed Setup > Response Control > Travel / Pressure Control > Travel/Pressure Select
Travel/Pressure State	TB > Configure/Setup > Detailed Setup > Response Control > Travel / Pressure Control > Travel/Pressure State
Travel/Pressure State	TB > Device Variables > Overview > Travel/Pressure State
Unbalanced Area	TB > Configure/Setup > Detailed Setup > Valve and Actuator > Trim > Unbalanced Area
Upper Bench Set	TB > Configure/Setup > Detailed Setup > Valve and Actuator > Actuator > Upper Bench Set
Valve Class	TB > Configure/Setup > Detailed Setup > Valve and Actuator > Valve > Valve Class
Valve Manufacturer ID	TB > Configure/Setup > Detailed Setup > Valve and Actuator > Valve > Valve Manufacturer ID
Valve Model Number	TB > Configure/Setup > Detailed Setup > Valve and Actuator > Valve > Valve Model Number
Valve Serial Number	TB > Configure/Setup > Detailed Setup > Valve and Actuator > Valve > Valve Serial Number
Valve Size	TB > Configure/Setup > Detailed Setup > Valve and Actuator > Valve > Valve Size
Valve Size	TB > Configure/Setup > Detailed Setup > Valve and Actuator > Valve > Valve Style
Zero Power Condition	TB > Configure/Setup > Detailed Setup > Instrument > Application: Zero Power Condition

Table F-2. Resource Block (RB) Parameters - Configuration Index

Parameter Name	Path to Parameter
Alert Key	RB > Configure/Setup > Setup > Alarm Handling > Alert Key
Block Alarm: Alarm State	RB > Device Diagnostics > Status > Block Alarm: Alarm State
Block Alarm Disabled	RB > Configure/Setup > Setup > Alarm Handling > Block Alarm: Block Alarm Disabled
Block Alarm Auto Acknowledge	RB > Configure/Setup > Setup > Alarm Handling > Block Alarm: Block Alarm Auto Acknowledge
Discrete Alarm Auto Acknowledge	RB > Configure/Setup > Setup > Alarm Handling > Write Alarm: Discrete Alarm Auto Acknowledge
Confirm Time	RB > Configure/Setup > Setup > Alarm Handling > All Alarms: Confirm Time
Device ID	RB > Configure/Setup > Setup > Identification > Identification: Device ID RB > Device Variables > Instrument > Identification: Device ID
Device Revision	RB > Configure/Setup > Setup > Version > Version Information: Device Revision RB > Device Variables > Instrument > Version Information: Device Revision
Device State	RB > Device Diagnostics > Status > Device State
Device Type	RB > Configure/Setup > Setup > Identification > Identification: Device Type RB > Device Variables > Identification: Device Type
DD Revision	RB > Configure/Setup > Setup > Version > Version Information: DD Revision RB > Device Variables > Identification: DD Revision
Diagnostic Options	RB > Configure/Setup > Setup > Options > Diagnostic Options RB > Device Variables > Options > Diagnostics Options
Electronics S/N	RB > Configure/Setup > Setup > Identification > Identification: Electronics S/N RB > Device Variables > Identification: Electronics S/N
Factory S/N	RB > Configure/Setup > Setup > Identification > Identification: Factory S/N RB > Device Variables > Identification: Factory S/N
Fault State	RB > Device Diagnostics > Status > Fault State
Function Block Options	RB > Configure/Setup > Setup > Options > Function Block Options RB > Device Variables > Options > Function Block Options
Features Available	RB > Configure/Setup > Setup > Options > Features Available RB > Device Variables > Options > Features Available
Features Selected	RB > Configure/Setup > Setup > Options > Features Selected
Field S/N	RB > Configure/Setup > Setup > Identification > Identification: Field S/N
Field S/N	RB > Device Variables > Identification: Field S/N
Hardware Revision	RB > Configure/Setup > Setup > Version > Version Information: Hardware Revision
ITK Version	RB > Configure/Setup > Setup > Version > Version Information: ITK Version
Manufacturer	RB > Configure/Setup > Setup > Identification > Identification: Manufacturer
Manufacturer	RB > Device Variables > Identification: Manufacturer
Maximum Alerts Allow	RB > Configure/Setup > Setup > Alarm Handling > All Alarms: Maximum Alerts Allow
Maximum Alert Possible	RB > Configure/Setup > Setup > Alarm Handling > All Alarms: Maximum Alerts Possible
Miscellaneous Options	RB > Configure/Setup > Setup > Options > Miscellaneous Options RB > Device Variables > Options > Miscellaneous Options
Resource Block Error	RB > Device Diagnostics > Status > Resource Block Error
RCas Timeout	RB > Configure/Setup > Setup > Comm Timeout > RCas Timeout
ROut Timeout	RB > Configure/Setup > Setup > Comm Timeout > ROut Timeout
Firmware Revision	RB > Configure/Setup > Setup > Version > Version Information: Firmware Revision
Status	RB > Device Diagnostics > Status
Standby Firmware Revision	RB > Configure/Setup > Setup > Version > Version Information: Standby Firmware Revision
Strategy	RB > Configure/Setup > Setup > Identification > Identification: Strategy RB > Device Variables > Identification: Strategy
Tag Description	RB > Configure/Setup > Setup > Identification > Identification: Tag Description RB > Device Variables > Identification: Tag Description
Write Alarm: Alarm State	RB > Device Diagnostics > Status > Write Alarm: Alarm State
Write Alarm Disabled	RB > Configure/Setup > Setup > Alarm Handling > Write Alarm: Write Alarm Disabled
Write Lock	RB > Configure/Setup > Setup > Write Lock > Write Lock RB > Device Diagnostics > Status > Write Lock
Write Priority	RB > Configure/Setup > Setup > Write Lock > Write Priority

---

## Introduction

---

### Note

This appendix does not necessarily provide the latest information on the DeltaV system. For the latest information on using the DeltaV system, refer to the on-line help or documentation supplied with the system.

---

This appendix provides specific instructions for performing basic setup operations on the DeltaV host system. It is not a comprehensive resource, rather a starting point. For more information, refer to the following sources:

**Section 3: Basic Setup and Tuning** for detailed information regarding initial setup, and stabilizing and optimizing valve response.

**Section 4: Detailed Setup** for detailed information on configuring all of the blocks in the instrument, and an overview of the function blocks.

**Section 5: Calibration** for complete calibration information.

**Appendix A: Principle of Operation** for information on how digital valve controller operation.

**Appendix D: FOUNDATION fieldbus Communication** for an overview of function block and block modes, as well as additional information pertaining to fieldbus communication.

**Appendix E: DD Installation** for information on installing the device description (DD) software on your host system.

**DeltaV On-Line Help or Documentation** for complete and current information about navigating in the DeltaV system.

## Software Functionality/System Requirements

DVC6200f digital valve controllers are designed to permit remote setup, calibration, and testing using Process Systems DeltaV system as the host system.

To use the methods, accessed as described in this appendix, requires that the device description (DD) for the DVC6200f digital valve controller be installed on the host system. For information on installing the device description, refer to DD Installation (Appendix E) and the host system documentation.

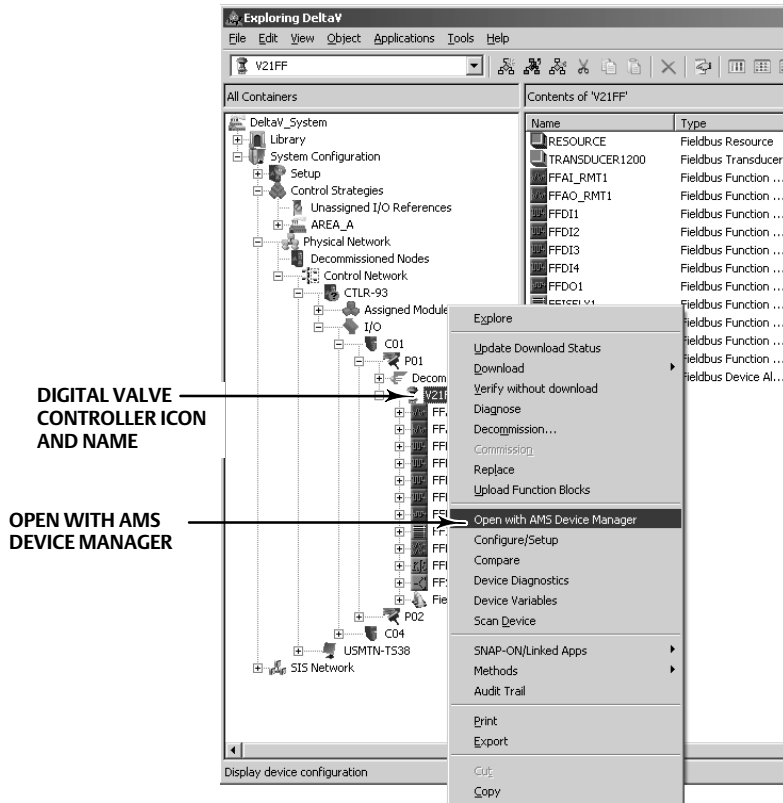
## Using AMS Device Manager

Refer to figures F-1 and F-2 to access the digital valve controller using AMS Suite: Intelligent Device Manager.

1. Start DeltaV Explorer by selecting DeltaV Explorer from the Start menu.
2. Locate the the digital valve controller icon in the All Containers pane (the left panel) and right-click once on the digital valve controller icon or name.
3. Locate Open with AMS Device Manager in the context menu and left-click to bring up the Device Connection View.
4. Navigate to the digital valve controller icon or name as shown in figure F-2 and left-click.



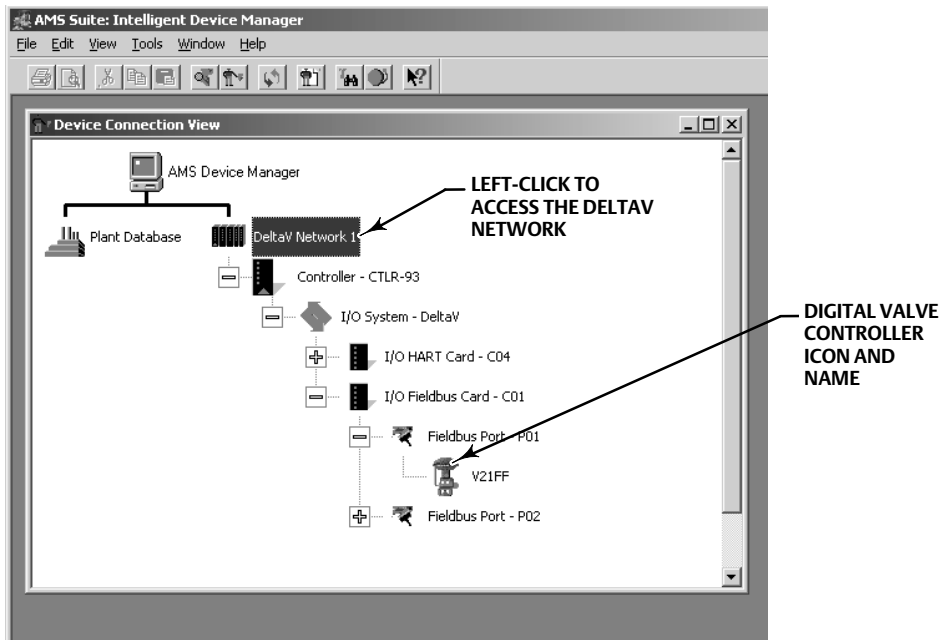
Figure F-1. Navigating to AMS Device Manager



DIGITAL VALVE  
CONTROLLER ICON  
AND NAME

OPEN WITH AMS  
DEVICE MANAGER

Figure F-2. Accessing the Digital Valve Controller Through AMS Device Manager



LEFT-CLICK TO  
ACCESS THE DELTAV  
NETWORK

DIGITAL VALVE  
CONTROLLER  
ICON AND  
NAME

## Methods

### Transducer Block

The following methods are accessed via the transducer block: Device Setup, Auto Travel Calibration, Manual Travel Calibration, Supply Sensor Calibration, Output A Sensor Calibration, Output B Sensor Calibration, Travel Sensor Adjust, Stroke Valve, Performance Tuner, Stabilize/Optimize, and Relay Adjust.

Refer to figures F-1, F-2, and F-3 and the following steps to access these methods.

1. Start DeltaV Explorer by selecting DeltaV Explorer from the Start menu.
2. Locate the the digital valve controller icon in the All Containers pane (the left panel) and right-click once on the digital valve controller icon or name.
3. Locate Open with AMS Device Manager in the context menu and left-click to bring up the Device Connection View.
4. Navigate to the digital valve controller icon or name as shown in figure F-2 and left-click.
5. Locate Methods in the Actions menu, as shown in figure F-3 and right-click once.
6. Select the desired method from the the Actions menu and left-click to start the method.

### Resource Block

The Restart Options method and the DD Information method are available via the resource block. Refer to figure F-3 and the following steps to access these methods.

1. Start DeltaV Explorer by selecting DeltaV Explorer from the Start menu.
2. Locate the digital valve controller icon in the All Containers pane (the left panel) and right-click once on the digital valve controller icon or name.
3. Locate Open with AMS Device Manager in the context menu and left-click to bring up the Device Connection View.
4. Navigate to the digital valve controller icon or name as shown in figure F-2 and left-click.
5. Locate Methods in the Actions menu, as shown in figure F-3 and right-click once.
6. Select the desired method from the the Actions menu and left-click to start the method.

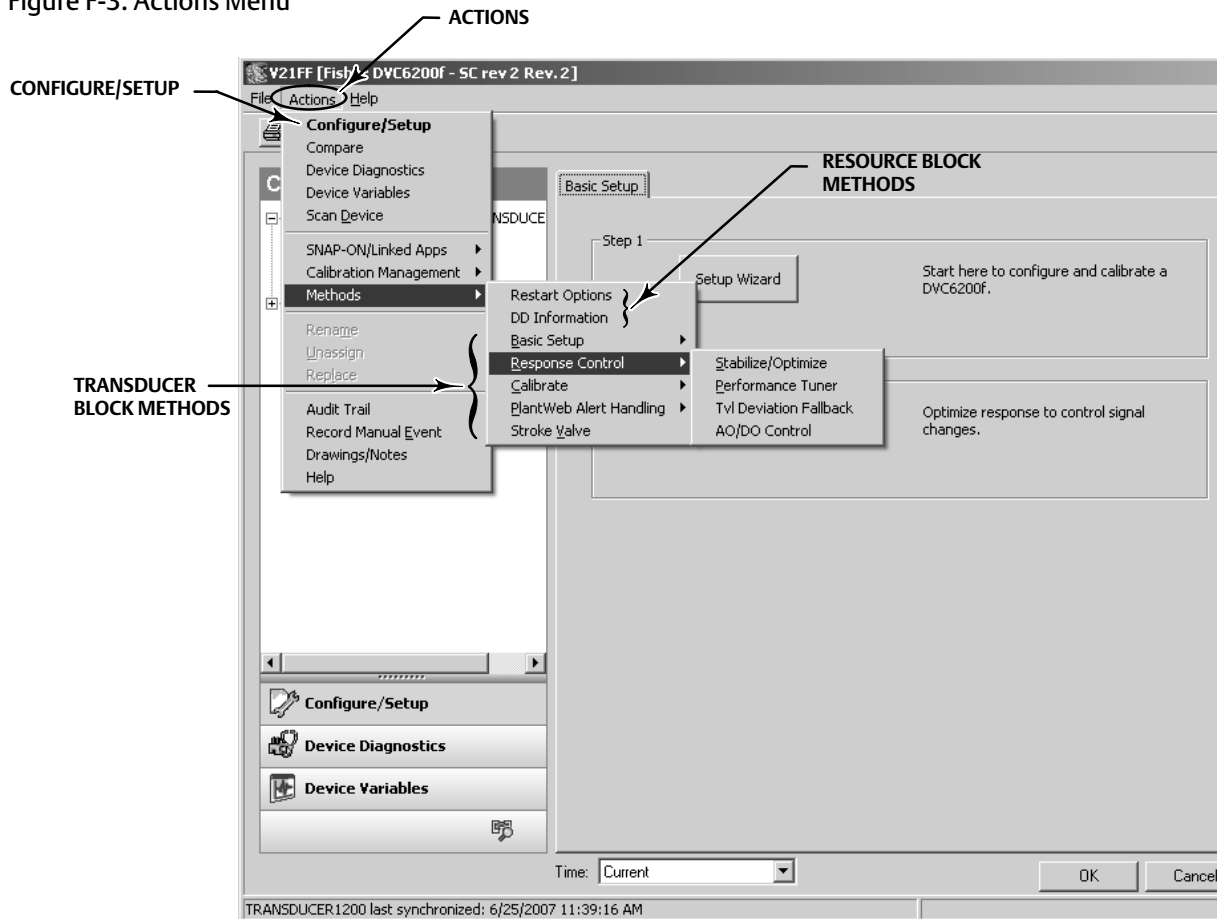
## Accessing Parameters

### Transducer Block

For detailed information on the parameters that are changed via the transducer block, refer to the Detailed Setup section of this manual. Refer to figures F-2, F-3, and F-4 for information on accessing transducer block parameters.

1. Start DeltaV Explorer by selecting DeltaV Explorer from the Start menu.
2. Locate the digital valve controller icon in the All Containers pane and right-click once on the digital valve controller icon or name.
3. Locate Open with AMS Device Manager in the context menu and left-click to bring up the Device Connection View.
4. Navigate to the digital valve controller icon or name as shown in figure F-2 and left-click.
5. Locate Configure/Setup in the Actions menu (see figure F-3) and left-click to access Configuration and Setup parameters.
6. Left-click on Digital Valve Controller (TRANSDUCER) to access the transducer block parameters. Refer to table F-1 for the transducer block configuration menu.

Figure F-3. Actions Menu

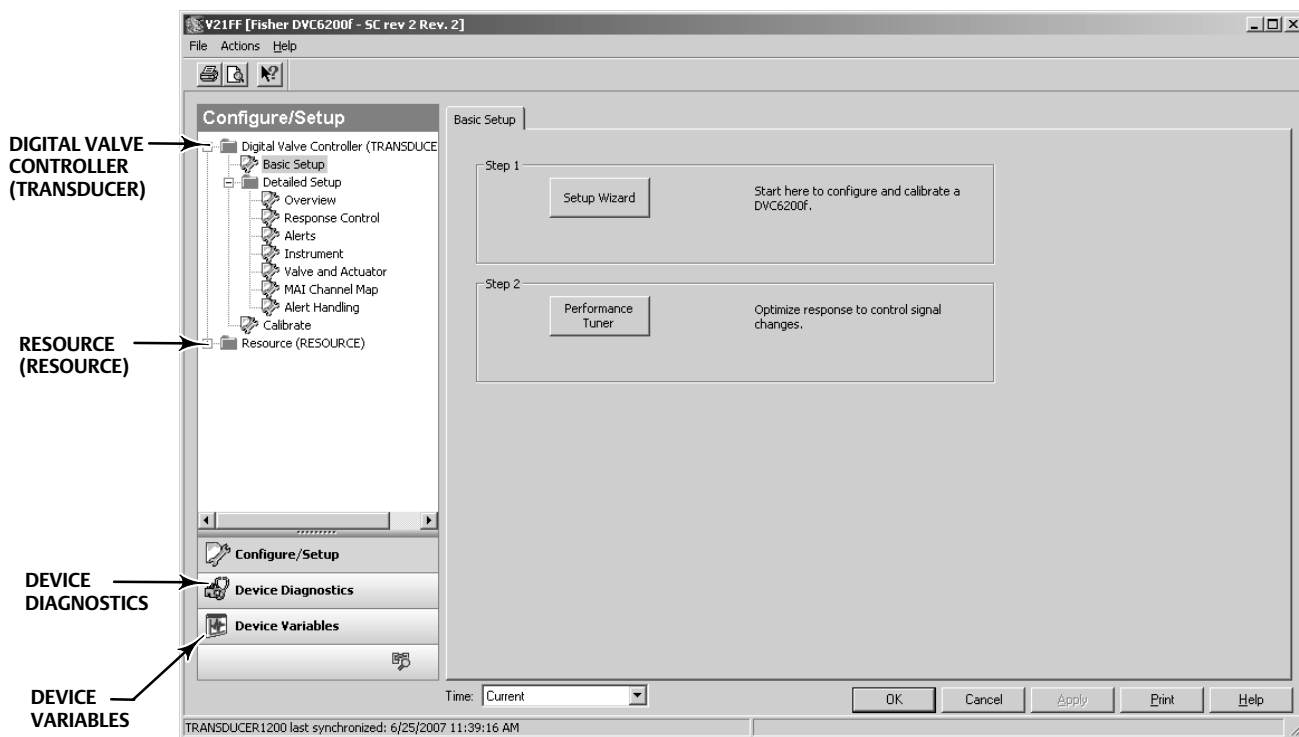


**Note**

To access diagnostic parameters left-click on Device Diagnostics, and then on Digital Valve Controller (TRANSDUCER). See figure F-4.

To access device variables left-click on Device Variables, and then on Digital Valve Controller (TRANSDUCER). See figure F-4.

Figure F-4. Accessing Configure/Setup, Device Diagnostics, and Device Variables



## Resource Block

For detailed information on the parameters that are changed via the resource block, refer to the Detailed Setup section of this manual. Refer to figures F-2, F-3, and F-4 for information on accessing resource block parameters.

1. Start DeltaV Explorer by selecting DeltaV Explorer from the Start menu.
2. Locate the digital valve controller icon in the All Containers pane and right-click once on the block icon or name.
3. Locate Open with AMS Device Manager in the context menu and left-click to bring up the Device Connection View.
4. Navigate to the digital valve controller icon or name as shown in figure F-2 and left-click.
5. Locate Configure/Setup in the Actions menu (see figure F-3) and left-click to access Configuration and Setup parameters.
6. Left-click on Resource (RESOURCE) to access the resource block parameters. Refer to table F-2 for the resource block configuration menu.

### Note

To access diagnostic parameters left-click on Device Diagnostics, and then on Resource (RESOURCE). See figure F-4.

To access device variables left-click on Device Variables, and then on Resource (RESOURCE). See figure F-4.

## Bringing the Device On-Line

To completely configure the digital valve controller for use in a fieldbus loop, the following conditions must be met. Refer to DeltaV On-Line-Help or documentation for detailed information on accomplishing these steps.

1. A place holder must be created - a place holder is an electronic representation of the digital valve controller that exists in the DeltaV database with no associated physical device.
2. Device must be commissioned - Commissioning the device involves downloading applicable parameters from the device place holder to the physical device.
3. Any additional configuration that is required, such as setting alarms, cutoffs, and other resource block and transducer block parameters. See the Detailed Setup section of this manual.
4. Define the control strategy
5. Associate I/O to the digital valve controller.
6. The device is now ready to be downloaded.

## PlantWeb Alerts

Fieldbus devices detect and report their device alarms to a DeltaV system (or other host system). This includes detecting whether an alert condition is active, reporting the alarm to DeltaV and later clearing the alarm when the condition is no longer active. Whether a particular alert condition can be suppressed, disabled or configured off-line are all determined by the device.

For Fieldbus, the DeltaV system is responsible for knowing which devices have alarms, ensuring that alarms are properly represented (such as after controller switchovers) and reporting to operators, Event Chronicle, AMS, OPC Alarms and Events server, etc. So the only alarms DeltaV shows for a Fieldbus device are those the device has defined as alarms and has reported to DeltaV.

All device alarms are configured and processed in the DeltaV system identically to process alarms. This means that how the alarms are communicated within the system, what workstations are notified, alarm annunciation, graphical representations, event recording, acknowledgement, etc. are identical for process and device alarms. This ensures that device alarms and process alarms are available to all users and applications in a consistent fashion.

## Setting up PlantWeb Alerts

This section walks you through the steps and considerations to implement PlantWeb alerts.

### DeltaV Hardware and Software Requirements

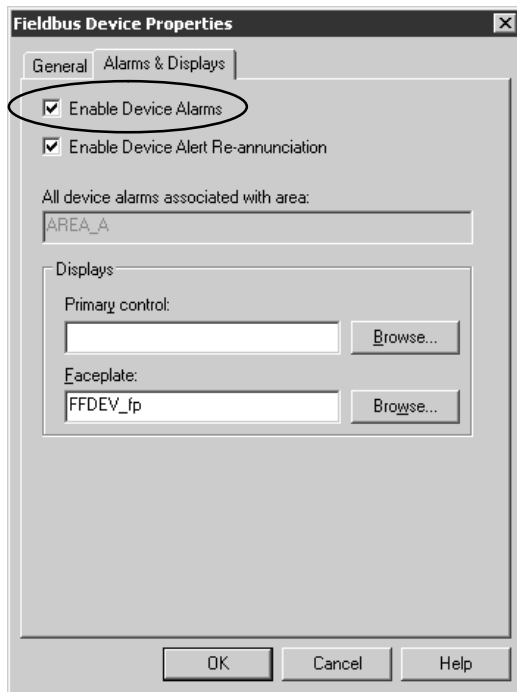
The first step to implement PlantWeb alerts is to have the correct hardware and software:

- DeltaV v6.3 or later
- DeltaV Operate
- MD Controllers
- Fieldbus devices - While device alerts are supported on all fieldbus devices, devices that offer PlantWeb alerts provide significantly more useful information.
- Series 2 H1 cards

## Initial Device Setup

When new FF devices are commissioned on the DeltaV system, device alarms are automatically enabled and default priorities are assigned to the alarms. Select **properties** on the device, then the **Alarms and Displays** tab, as shown in figure F-5 to view whether device alarms are enabled on a particular device.

Figure F-5. Alarms & Display Tab



The Enable Device Alarms configuration option modifies the device configuration. Thus changing this setting requires a download to the device. Devices that are migrated from older DeltaV systems will have their device alarms disabled.

### Note

1. Use the default setting of device alarms enabled. If the user does not want notification of device alarms, this can be configured on each individual alarm. Later on, you can modify the alarm configurations without downloading the device. Disabling device alarms disables all of the alarms, including the device communication failure alarm.
2. Use the same control display for the device as for the control module.
3. If you suspect a rogue device is generating extra H1 bus traffic from device alarms, disabling device alarms stops the device from sending the alarms.
4. If the Alarms and Displays tab is not shown, then you either do not have an MD controller or the device is on a Series 1 H1 card.

## Area Assignment

Controllers use this area assignment to report node status (e.g. not communicating). Devices and control modules use this area assignment to determine where to send their alarms.

Area A is the default area assignment for all controllers and workstations (see figures F-6 and F-7). Also, by default Area A is assigned to all workstations Alarms and Events subsystem. This means that all controller status problems are sent to *all* workstations by default.

Figure F-6. Controller Properties

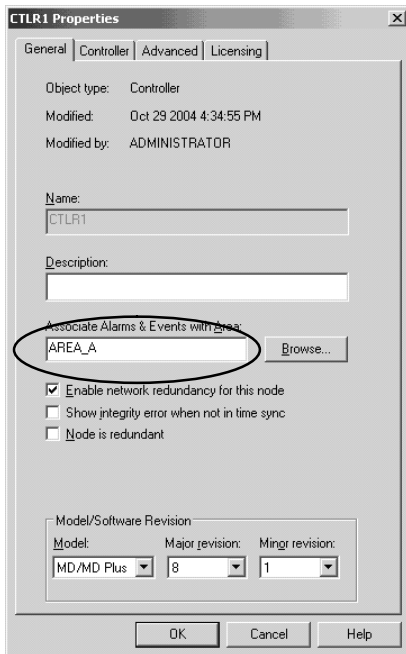
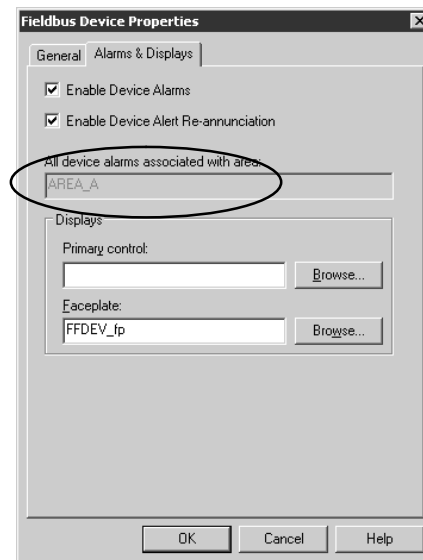


Figure F-7. Device Properties



**The controller is assigned to Area A. A device that is NOT yet associated with a control module will default to the same area as the controller.**

A fieldbus device will change its area association once the device is configured to a control module. In addition, the device is assigned to the same place in the logical hierarchy as this control module. So if the control module is under a unit, the device is also considered under this same unit.

The device is automatically associated with the same area as the control module that uses the *lowest index number function block* in the device. This block is usually the primary input or output function block of the device. This ensures that wherever the control module is reporting information, all device information that may also be relevant is also reported.

### Note

1. For devices with multiple inputs or outputs (such as the 848), you need to decide which area is best for device alarm reporting and be sure to assign the correct control module to the lowest index number function block. If there is no module assigned to this function block, then the device will always be assigned to the same area as the controller.
2. With controller area default of AREA A, and the default of AREA A being assigned to all workstations, you need to evaluate the alarm settings when commissioning a new fieldbus device with device alarms enabled. If the device detects a FAILED or COM FAIL alarm prior to being assigned to a control module, this device alarm will be reported and annunciated to all workstations. This is

because all workstations have Area A assigned. Consider lowering the priority of these alarms to ADVISORY until the end of the commissioning process.

---

## Reporting Alarms and Events to a Workstation

Device alarm and event reporting is no different than control module reporting. Alarm and event reporting to workstations is determined by assigning areas to workstations. The workstation area assignment is all you need to do to ensure that you have all of the information (device and process) for that area.

This is important so that ALL of the information about an area -- both the process and device information -- is available at any workstation that is responsible for that area. That way the Event Chronicle has a complete record for that area, and any user can drill into a graphic or tag and access all of the information.

This DOES NOT determine WHO views the device alarms. Who views the alarms is determined by filtering at each workstation.

Now that all of the device (and process) information is assigned to a workstation, the next step is to decide what priority of device and process alarms cause alarm annunciation to the users on that workstation.

## Setting up WHO Sees Device Alarms

The priority of the alarms, and the settings at that workstation determine what alarms are annunciated on a particular workstation. Annunciated means sound the horn and shown in the alarm banner, Alarm List display, etc.

There are two different approaches that can be used to adjust the device alarm filtering for a particular workstation:

- Adjust the default DeltaV Operate alarm settings in the UserRef/UserSettings file
- Adjust the individual device alarm priorities

By default, DeltaV Operator Stations have all process alarms are annunciated, and show up on the Alarm Banner, Alarm List, graphical displays, etc. on all operator workstations. Also by default, the device alarms with priority settings below WARNING (8) are NOT annunciated or shown in the alarm banner. The low priority device alarms can be shown in graphics and on summaries defined to not be limited by the alarm settings.

The DeltaV Maintenance Station uses the same DeltaV Operate alarm setting for device alarm annunciation. This license only shows device alarms on Maintenance Station graphics. NO process alarms are shown in the alarm banner or ANY alarm summary.

*Thus, device alarms and process alarms can be either combined and/or separated for specific user installations, based on their operating philosophy.*

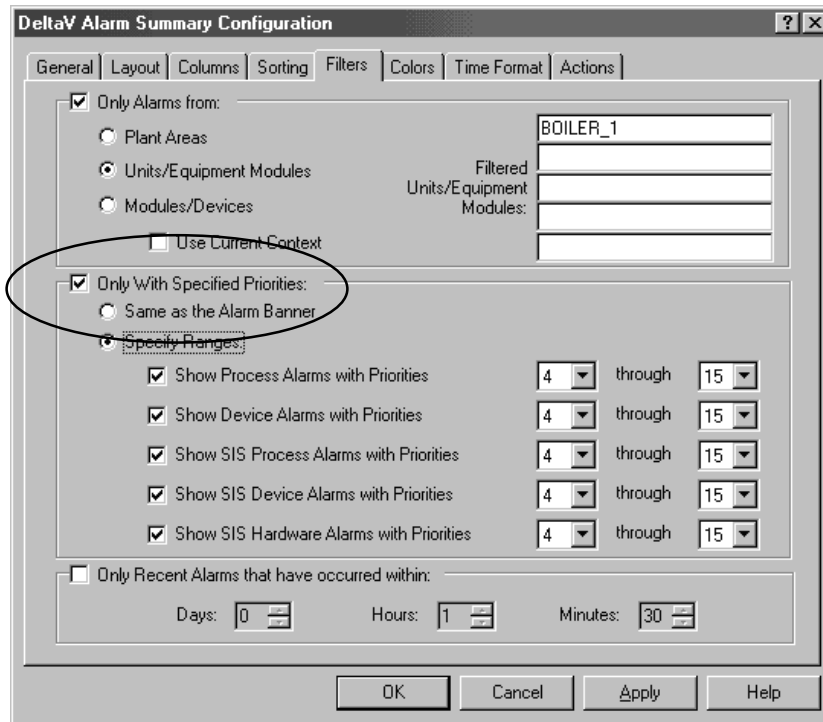
## Setting DeltaV Operate Device Alarm Annunciation Defaults

DeltaV Operate has default settings in the UserRef.grf file for what priority of device alarms will annunciate and show in the alarm banner. The default DeltaV Operate alarm settings annunciate device alarms that are of the priority WARNING (8) or higher. Device alarms below this priority will not sound the horn or show up in the alarm banner.

Operator Station displays can be configured to show any alarms reporting to that workstation. Along with typical display configuration, alarm summaries can be configured to display alarms that match the alarm banner settings, or user specified ranges. The standard AlarmSum display is configured to show all alarms reporting to that workstation (see figure F-8).



Figure F-8. DeltaV Alarm Summary Configuration



**Each display alarm summary can be configured to match the alarm banner or be uniquely defined.**

**Note**

If you think you should be seeing a device alarm in the alarm banner and it is not there, verify that the device is shown on the AlarmSum display. This display shows ALL of the alarms reporting to that workstation, regardless of the device alarm annunciation settings. If the device is not shown in this display, then it is not reporting to this workstation (or the logged on user does not have responsibility for that area).

The default for device alarm annunciation (sounds the horn and shown in the alarm banner) can be modified for all operator/maintenance stations. Or unique settings can be defined for specific workstations. Use the workstation name to adjust settings for specific workstations in UserSettings.grf.

For example, if an installation has a Maintenance Station named 'MAINT', then the UserRef.grf (then renamed to UserSettings.grf) would contain alarm settings for the MAINT workstation as appropriate for maintenance (e.g. all device alarms in the alarm banner).





**Note**

To easily find the device alarm configuration in UserRef or UserSettings, open the display in the Standard directory, right click and select EDIT SCRIPT, then select Edit, Find and type in DEVICE. This will take you to the location in the file with the device alarm settings.

## Deciding Device Alarm Priorities

Each device alarm, just like every process alarm, has a priority assigned to it. When a device is created, the device alarms are assigned default alarm priorities as shown in figure F-9.

Figure F-9. Default PlantWeb Alert Priorities

Contents of 'Fieldbus Device Alarms'		
Name	Enabled	Priority
 ADVISE_ALM	Yes	ADVISORY
 COMM_ALM	Yes	WARNING
 FAILED_ALM	Yes	WARNING
 MAINT_ALM	Yes	ADVISORY

**The priority of a device alarm defines whether the alarm is annunciated on a particular workstation, in addition to the color of the alarm and the horn sound.**

The DeltaV workstation default is to annunciate device alarms above the ADVISORY (7) priority.

Therefore, by default both the FAILED and COMM PlantWeb alerts annunciate to the operator.

The priority of each alarm needs to be considered. The priority of a device alarm is determined by how important that device problem is and the consequences to the process.

The priority is not based solely on the type of device. This means that while some DVC6200f's may be critical to operation, other DVC6200f's may not. In this example, the DVC6200f's would have different default alarm priorities.

### Note

1. If your installation has the Fieldbus devices, but is not ready to use PlantWeb alerts, then you can disable the individual alarms at the device - or through the System Alarm Management application. Later on, individual alarms can be enabled without having to download the device.
2. When you first begin to use device alarms, be sure that your alarm priority settings for the workstations or the individual device alarm priorities are such that they don't cause undue operator burden. This could mean only having a few device alarms set at WARNING or above, or changing the DeltaV Operate default such that only CRITICAL device alarms (or even perhaps NO device alarms annunciate to the operator).
3. DO NOT enable ALL of the PlantWeb alerts in a device. Only enable the alerts that are needed.

## Glossary

### Algorithm

A set of logical steps to solve a problem or accomplish a task. A computer program contains one or more algorithms.

### Alphanumeric

Consisting of letters and numbers.

### ANSI (acronym)

The acronym ANSI stands for the American National Standards Institute

### ANSI Class

Valve pressure/temperature rating.

### Bench Set

Pressure, supplied to an actuator, required to drive the actuator through rated valve travel. Expressed in pounds per square inch.

### Byte

A unit of binary digits (bits). A byte consists of eight bits.

### Configuration

Stored instructions and operating parameters for a FIELDVUE Instrument.

### Control Loop

An arrangement of physical and electronic components for process control. The electronic components of the loop continuously measure one or more aspects of the process, then alter those aspects as necessary to achieve a desired process condition. A simple control loop measures only one variable. More sophisticated control loops measure many variables and maintain specified relationships among those variables.

### Controller

A device that operates automatically to regulate a controlled variable.

### Deadband

Region around a reference point that must be exceeded before a new event occurs.

### Deviation

Usually, the difference between set point and process variable. More generally, any departure from a desired or expected value or pattern.

### Device ID

Unique identifier embedded in the instrument at the factory.

### Drive Signal

The signal to the I/P converter from the printed wiring board. It is the percentage of the total microprocessor effort needed to drive the valve fully open. In most applications, drive signal ranges from 55% to 75%.

### Feedback Arm

The mechanical connection between the valve stem linkage and the FIELDVUE Instrument travel sensor.

### Feedback Signal

Indicates to the instrument the actual position of the valve. The travel sensor provides the feedback signal to the instrument printed wiring board assembly. A mechanical linkage connects the travel sensor to the valve stem or shaft.

### Firmware

The combination of a hardware device and computer instructions and data that reside as read-only software on that device.

---

#### Note

1. This term (firmware) is sometimes used to refer only to the hardware device or only to the computer instructions or data, but these meanings are deprecated.
  2. The confusion surrounding this term has led some to suggest that it be avoided altogether. The term is included here because of its use in older documentation and culture.
-

**Gain**

The ratio of output change to input change.

**Hardware Revision**

Revision number of the Fisher instrument hardware. The physical components of the instrument are defined as the hardware.

**Instrument Level**

Determines the functions available for the instrument.

**Leak Class**

Defines the allowable leakage by a valve when it is closed. Leak class numbers are listed in two standards: ANSI/FCI 70-2 and IEC 534-4.

**Linearity, dynamic**

Linearity (independent) is the maximum deviation from a straight line best fit to the opening and closing curves and a line representing the average value of those curves.

**Memory**

A type of semiconductor used for storing programs or data. FIELDVUE instruments use three types of memory: Random Access Memory (RAM), Read Only Memory (ROM), and Non-Volatile Memory (NVM).

**Non-Volatile Memory (NVM)**

A type of semiconductor memory that retains its contents even though power is disconnected. NVM contents can be changed during configuration unlike ROM which can be changed only at time of instrument manufacture. NVM stores configuration restart data.

**Octet**

See byte

**Parallel**

Simultaneous: said of data transmission on two or more channels at the same time.

**Pressure Sensor**

A FIELDVUE instrument internal device that senses the output pressure from the pneumatic relay.

**Random Access Memory (RAM)**

A type of semiconductor memory that is normally used by the microprocessor during normal operation that permits rapid retrieval and storage of programs and data. See also Read Only Memory (ROM) and Non-Volatile Memory (NVM).

**Rate**

Amount of change in output proportional to the rate of change in input.

**Read-Only Memory (ROM)**

A memory in which information is stored at the time of instrument manufacture. You can examine but not change ROM contents.

**Seat Load**

Force exerted on the valve seat, typically expressed in pounds force per lineal inch of port circumference. Seat load is determined by shutoff requirements.

**Software**

Computer programs, procedures, and possibly associated documentation and data pertaining to the operation of a computer system.

**Temperature Sensor**

A device within the FIELDVUE instrument that measures the instrument's internal temperature.

**Travel**

Movement of the valve stem or shaft which changes the amount the valve is open or closed.

**Travel Sensor**

A device within the FIELDVUE instrument that senses valve stem or shaft movement. The travel sensor in the DVC6200f is the Hall Effect sensor that measures the position of the magnet assembly.

**Travel Sensor Motion**

Increasing or decreasing air pressure causes the magnet assembly to move up or down or the rotary shaft to turn clockwise or counterclockwise. Device Setup asks if it can move the valve to determine travel.

**Tuning**

The adjustment of control terms or parameter values to produce a desired control effect.

**Tuning Set**

Preset values that identify gain and rate settings for a FIELDVUE instrument. The tuning set and supply pressure together determine an instrument's response to input signal changes.

**Watch Dog Timer**

A timer that the microprocessor must pulse periodically. If the microprocessor is unable to pulse the timer, the instrument shuts down.

**Zero Power Condition**

The position of the valve (open or closed) when the electrical segment power to the instrument is removed. Zero Power Condition (ZPC) is determined by relay and actuator action where: for Relay A and C, Port A will be at atmosphere pressure, and if double-acting, Port B will be at supply pressure. For Relay B, Port B will be at supply pressure.



# Index

## A

- Acknowledge Option, Resource Block, 24
- Act On IR, 107
- Action on Failure, DI Function Block, 181
- Action on Fault Detection
  - AO Function Block, 94
  - DO Function Block, 170
- Active PlantWeb Alerts, 200
- Actuator
  - Fail Action, 59
  - Manufacturer, 59
  - Model Number, 59
  - Serial Number, 59
  - Size, 59
  - Style, 59
    - Device Setup, 18
- Actuator Compatibility, 8
- Actuator Information, for initial setup, 17
- Advanced Diagnostics (AD), 4
- Air, 60
  - as supply medium, 7
- Alarm Detection
  - AI Function Block, 147
  - DI Function Block, 181
  - ISEL Function Block, 127
  - PID Function Block, 107
- Alarm Handling, 23
- Alarm Priorities
  - ISEL Function Block, 128
  - PID Function Block, 108
- Alert Conditions, 200
  - Instrument, 45
- Alert Handling, 62
  - PlantWeb Alert Handling, 62
  - PlantWeb Alert Simulate, 62
  - PlantWeb Alerts, 251
  - Simulate Active Alerts, 62
- Alert Key, 48
- Alert Reporting, PlantWeb Alerts, 253
- Alerts
  - Configuration, 47
  - Electronics, 45
  - Environment, 49
  - Instrument, 45
  - Performance, 55
  - PlantWeb, 45
  - Proximity, 52
  - Sensor, 48
  - Travel, 50
- AMS Device Manager, using, 286
- Analog Input (AI) Function Block, 5, 147
  - Advanced Features, 151
  - Alarm Detection, 147
  - Block Errors, 151
  - Field Communicator Menu Structure, 158
  - Filtering, 150
  - Modes, 147
  - parameters, 152
  - Signal Conversion, 150
  - Simulation, 151
  - Status Handling, 149
  - Troubleshooting, 152
  - View Lists, 156
- Analog Output (AO) Function Block, 5, 89
  - Action on Fault Detection, 94
  - Application Information, 95
  - Block Errors, 95
  - Field Communicator Menu Structure, 101
  - I/O Options, 94
  - Mode Handling, 91
    - parameters, 96
  - Set Point Selection and Limiting, 93
  - Setting the Output, 92
  - Simulation, 95
  - Status Handling, 92
  - View Lists, 100
- ANSI/ISA-75.13.01 Section 5.3.5, Vibration Testing Method, 8
- AO Control - Pre-Characterization, Device Variables, 206
- AO Control-Post Characterization, Device Variables, 206
- Application Information
  - AO Function Block, 95
  - DI Function Block, 182
  - MAI Function Block, 160
  - PID Function Block, 108
- Area Units, 57
- ATEX, hazardous area approval, 8

Auto Calibration, 190

## B

Backup Link Master, 7

Basic Setup, 15

Bench Set

Lower, 60

Upper, 60

Block Alarm, Resource Block, 197

Block Alarm Auto Acknowledge, Resource Block, 24

Block Alarm Disabled, Resource Block, 24

Block Error

Resource Block, 196

Transducer Block, 203

Block Error Reporting, 62

Block Errors, 62

AI Function Block, 151

AO Function Block, 95

DI Function Block, 181

DO Function Block, 170

ISEL Function Block, 128

MAI Function Block, 160

PID Function Block, 108

Resource Block, 25

Block Execution Times, 7

Block Initialization

DI Function Block, 178

DO Function Block, 168

Block Modes, 265

All, Device Variables, 205

DVC6200f, 265

Blocks

Function, 5

Resource Block, 5

Transducer Block, 5

Blocks Set to Default, Alerts, 48

Supply Pressure Sensor, 192

Calibration Date, 57

Calibration Location, 57

Calibration Person, 57

Classifications, Other

CUTR, 8

INMETRO, 8

KGS, 8

Natural Gas Certified, Single Seal Device, 8

NEPSI, 8

TIIS, 8

PESO CCOE, 8

Clear Fault State, Resource Block, 198

Communication Connections, 12

Communication Time Out, 22

Shed Remote Cascade, 22

Shed Remote Out, 22

Configuration Alerts, 47, 200

Alert Key, 48

Blocks Set to Default, 48, 201

Output Block Timeout, 47, 200

Configuration, Initial, 3

Configure/Setup, 21

Confirm Time, 24

Connections

Communications, 12

Electrical, 3

Pneumatic, 3

Specifications, 8

Construction Materials, 9

control options, PID Function Block, 106

Control selections, 4

CSA, hazardous area approval, 8

Custom Characterization, 44

Customs Union Technical Regulations (CUTR), Russia,  
Kazakhstan and Belarus, Certification, 8

Cycle Counter

Alerts, 54

Device Variables, 207

## D

Calibration, 189

Auto, 190

Manual, 190

Pressure A or B Sensor, 193

Relay, 191

DD Information, 199

Declaration of SEP, 9

DeltaV ProfessionalPLUS Workstation, Installing DD  
on, 274



DeltaV System  
 operating with, 279  
 Software Functionality/System Requirements, 286

DeltaV Tune, for PID control loops, 108

Detailed Setup, 1, 38

Device Addressing, 269

Device Communication, 270  
 Scheduled Transfers, 270  
 Unscheduled Transfers, 271

Device Description, Overview, 273

Device Description Version, displaying, 277

Device Descriptions, 267  
 Installing on a DeltaV ProfessionalPLUS Workstation, 274  
 Installing on Other Fieldbus Host Systems, 276

Device Diagnostics  
 Resource Block, 196  
 Transducer Block, 200

Device ID, 24, 198

Device Revision, 25, 199

Device Setup, 16

Device State, Resource Block, 196

Device Type, 24, 199

Device Variables  
 Resource Block, 198  
 Transducer Block, 205

diagnostic capabilities, 4

Diagnostic Options, 22, 25, 199

Digital Communication Protocol, 7

Direct Action, PID Function Block, 107

Direct Selection of Inputs, ISEL Function Block, 127

Direct signal conversion, AI Function Block, 150

Disabling Inputs, ISEL Function Block, 126

Discrete Alarm Auto Acknowledge, 24

Discrete Alarm Disabled, 24

Discrete Input (DI) Function Block, 5, 177  
 Action on Failure, 181  
 Alarm Detection, 181  
 Application Information, 182  
 Block Errors, 181  
 Block Initialization, 178  
 Field Value Processing, 180  
 I/O Selection, 178

Modes, 178  
 parameters, 182  
 Simulation, 181  
 Status Handling, 178  
 View Lists, 186

Discrete Output (DO) Function Block, 5, 165  
 Action on Fault Detection, 170  
 Block Errors, 170  
 Block Initialization, 168  
 I/O Selection, 168  
 Mode Handling, 167  
 Modes, 166  
 Output Block PV Status, 169  
 parameters, 171  
 Setting the Output, 168  
 Shed Options — RCAS Mode Only, 167  
 Simulation, 170  
 Status Handling, 168  
 View Lists, 175

DO Control, Device Variables, 206

Double-Acting Relay, calibration, 191

Drive Current, Alerts, 45

Drive Signal  
 Alerts, 46  
 Device Variables, 207

## E

Educational Services, 10

Effective Area, 60

Electrical Classification  
 Electrical Housing, 8  
 Hazardous Area Approvals, 8

Electrical Connections, 3

Electrical Housing, 8

Electromagnetic Compatibility, Specification, 8

Electronics Alerts, 45, 200  
 Drive Current, 45, 200  
 Drive Signal, 46, 200  
 Processor Impaired, 46, 200

Electronics Serial Number, 24, 198

EMC Summary Results—Immunity, 9

EN 61326-1 (First Edition), 8

Enable Jumper, Simulate, 13

Environment Alerts, 49, 201  
 Supply Pressure, 49, 201  
 Temperature Limit, 50, 201

Expert tuning, 19  
  Pressure, 42  
  Travel, 39

## F

Factory Serial Number, 24, 198  
Fail Action, Actuator, 59  
Fault State, Resource Block, 198  
Features Available, 23  
Features Selected, 23  
Feedback Connection Options, 59  
Feedforward Calculation, PID Function Block, 106  
Field Communicator Menu Structure  
  AI Function Block, 158  
  AO Function Block, 101  
  DO Function Block, 176  
  ISEL Function Block, 135  
  MAI Function Block, 164  
  OS Function Block, 146  
Field Serial Number, 24, 198  
Field Value Processing, DI Function Block, 180  
Fieldbus Connections, Quick Connect Cable Entry, 11  
Fieldbus Control (FC), 4  
Fieldbus Diagnostics (FD), 4  
Fieldbus Installation and Wiring Guidelines, 10  
Fieldbus Logic (FL), 4  
Filtering  
  AI Function Block, 150  
  PID Function Block, 106  
Firmware Revision, 25, 199  
Flow Direction, 58  
FM, hazardous area approval, 8  
Function Block  
  Input Selector (ISEL), 121  
  Overview, 263  
Function Block Options, 22, 199  
Function Block Scheduling, 272  
Function Blocks, 5  
  Analog Input (AI), 5, 147  
  Analog Output (AO), 5, 89  
  Discrete Input (DI), 177  
  Discrete Output (DO), 5, 165

Input Selector (ISEL), 5  
Multiple Analog Input (MAI), 5, 159  
Output Splitter (OS), 5, 136  
Proportional-Integral-Derivative (PID), 5, 102

## G

Gain Values, preselected tuning sets, 19  
Gauges, Pipe Plugs, or Tire Valves, maintenance, 217

## H

Hardware Revision, 25, 199  
Hazardous Area Approvals, 8  
  ATEX, 8  
  CSA, 8  
  FM, 8  
  IECEX, 8  
Humidity Testing, Method, 8

## I

I/O Options, AO Function Block, 94  
I/O Selection  
  DI Function Block, 178  
  DO Function Block, 168  
I/P Converter  
  maintenance, 213  
  removing, 214  
  replacing, 214  
I/P Filter, replacing, 213  
Identification of Selected Inputs, ISEL Function Block, 127  
IEC 61514-2, humidity testing method, 8  
IECEX, hazardous area approval, 8  
Independent Linearity, Specification, 8  
Indirect signal conversion, AI Function Block, 150  
Indirect Square Root, AI Function Block, 150  
Initialization and Back Calculation Requirements, OS Function Block, 141  
INMETRO, Brazil, Certification, 8

Input Characterization, 43  
 Device Variables, 206

Input Selection, ISEL Function Block, 126

Input Selector (ISEL) Function Block, 5, 121  
 Alarm Detection, 127  
 Alarm Priorities, 128  
 Block Errors, 128  
 Field Communicator Menu Structure, 135  
 Input Selection, 126  
     Direct Selection of Inputs, 127  
     Disabling Inputs, 126  
     Identification of Selected Inputs, 127  
 Modes, 121  
 parameters, 128  
 Status Handling, 122  
     Limit Propagation, 123  
     Quality Use and Propagation, 122  
     STATUS\_OPTS Supported, 126  
     Substatus Propagation, 123  
 View Lists, 133

Input to Output Mapping, OS Function Block, 139

Installation, 3

Instrument Alert, Conditions, 251

Instrument Alert Conditions, 45, 200

ISO 8573-1, Supply Medium, 7

ITK Version, 25, 199

## K

KGS, Korea Gas Safety Corporation, Certification, 8

## L

Last Calibration Type, 57

Leak Class, 58

Length Units, 57

Lever Arm Length, 60

Lever Style, 60

Lightning and Surge Protection, 8

Limit Handling, OS Function Block, 139

Limit Notify, 24

Limit Propagation  
 ISEL Function Block, 123  
 Transducer Block, 268

Link Active Scheduler (LAS), 269

Lower Bench Set, 60

## M

Magnetic Feedback Assembly, removing, 210

MAI Channel Map, 61

MAI Function Block, parameters, 161

Maintenance  
     Gauges, Pipe Plugs, or Tire Valves, 217  
     I/P Converter, 213  
     Module Base, 210, 211  
     Pneumatic Relay, 216  
     PWB Assembly, 215  
     Resource Block, 197  
     Terminal Box, 217  
     Tools Required, 210

Manual Calibration, 190

Manufacturer Identification, 24, 199

Maximum Notify, 24

Maximum Output Capacity, Specification, 7

Maximum Recorded Supply Pressure, 204

Maximum Recorded Supply Pressure Time, 204

Maximum Recorded Temperature, 204

Maximum Recorded Temperature Time, 204

Maximum Supply Pressure, 57

Methods, 274

Minimum Recorded Supply Pressure, 204

Minimum Recorded Supply Pressure Time, 204

Minimum Recorded Temperature, 204

Minimum Recorded Temperature Time, 204

Miscellaneous Options, 23, 199

Mode Handling  
     AO Function Block, 91  
     DO Function Block, 167  
     PID Function Block, 104

Modes  
     AI Function Block, 147  
     AO Function Block, 90  
     Blocks, 265  
     DI Function Block, 178  
     DO Function Block, 166  
     Explanation of, 266  
     ISEL Function Block, 121

MAI Function Block, 159  
 OS Function Block, 137  
 PID Function Block, 104  
 Resource Block, 21  
 Transducer Block, 38

Module Base  
 removing, 211  
 replacing, 212

Mounting, Troubleshooting, 219

Multiple Analog Input (MAI) Function Block, 5, 159  
 Application Information, 160  
 Field Communicator Menu Structure, 164  
 Modes, 159  
 Status Handling, 159  
 View Lists, 163

## N

natural gas, as supply medium, 7, 209

Natural Gas Certified, Single Seal Device, Other  
 Classifications/Certifications, 8

NEPSI, China, Certification, 8

Network Communication, 269

Network Management, 272

Nominal Supply Pressure, 60

## O

Open/Closed Limit Switch, Channel 24 and 25, DI  
 Function Block, 179

Options, 9  
 Resource Block  
 Diagnostic, 22  
 Features Available, 23  
 Features Selected, 23  
 Function Block, 22  
 Miscellaneous, 23

Outblock Selection, 45

Output Block PV Status, 61  
 AO Function Block, 93  
 DO Function Block, 169

Output Block Timeout, Alerts, 47

Output Selection and Limiting, PID Function Block, 106

Output Signal, Specifications, 7

Output Splitter (OS) Function Block, 5, 136  
 Field Communicator Menu Structure, 146  
 Initialization and Back Calculation Requirements,  
 141  
 Modes, 137  
 parameters, 143  
 Status Handling, 138  
 View Lists, 145

Output Tracking, PID Function Block, 106

## P

Parameters  
 AI Function Block, 152  
 AO Function Block, 96  
 DI Function Block, 182  
 DO Function Block, 171  
 ISEL Function Block, 128  
 MAI Function Block, 161  
 OS Function Block, 143  
 PID Function Block, 109  
 Resource Block, 30  
 Transducer Block, 63

Parts Kits, 225

Parts List, 226

Parts Ordering, 225

PD Inside Status  
 Alert, 55  
 Device Variables, 207

PD Run, Alert, 56

Performance Alerts, 55, 202  
 PD Inside Status, 55  
 PD Run, 56  
 Performance Critical, 56, 202  
 Performance Information, 56  
 Performance Reduced, 56

Performance Critical, Alerts, 56

Performance Diagnostics (PD), 4

Performance Information, Alerts, 56

Performance Reduced, Alerts, 56

Performance Tuner, 19, 20, 40

PESO CCOE, India, Certification, 8

PID Equation Structures for Enhanced PID Block, 107

PID Function Block, 102  
 Alarm Detection, 107  
 Alarm Priorities, 108

- Application Information, 108
  - Block Errors, 108
  - Feedforward Calculation, 106
  - Filtering, 106
  - Mode Handling, 104
  - Modes, 104
  - Output Selection and Limiting, 106
  - Output Tracking, 106
  - parameters, 109
  - Reverse and Direct Action, 107
  - Set Point Tracking, 106
  - Status Handling, 105
  - PlantWeb Alert Enable, 56
    - Advise Enable, 56
    - Failed Enable, 56
    - Maintenance Enable, 56
  - PlantWeb Alert Handling, Alert Handling, 62
  - PlantWeb Alert Reporting, 56
    - Advise Suppress, 57
    - Failed Suppress, 56
    - Maintenance Suppress, 56
  - PlantWeb Alert Simulate, Alert Handling, 62
  - PlantWeb Alerts, 45
    - Alert Handling, 251
    - Alert Reporting, 253
    - Conditions, 251
    - Configuration, 47
    - Electronics, 45
    - Environment, 49
    - in a DeltaV System, 291
    - Mode-Based, 251
    - Performance, 55
    - Proximity, 52
    - Sensor, 48
    - Set Block Status, 253
    - Setting, 253
    - Travel, 50
    - Travel History, 54
    - Using, 253, 257
  - PlantWeb Alerts Set PV Status, 62
  - Pneumatic Connections, 3
  - Pneumatic Relay
    - removing, 216
    - replacing, 216
  - Port Diameter, 58
  - Port Type, 58
  - Pressure A or B Sensor, calibration, 193
  - Pressure Cutoff Closed, 43
  - Pressure Cutoff Open, 43
  - Pressure Fallback, Alerts, 49
  - Pressure Fallback Auto Recovery, 42
  - Pressure Fallback Manual Recovery, 42
  - Pressure Integral Dead Zone, 42
  - Pressure Integral Gain, 42
  - Pressure Integral Limit Hi, 42
  - Pressure Integral Limit Lo, 42
  - Pressure MLFB Gain, 42
  - Pressure Proportional Gain, 42
  - Pressure Range Hi, 43
  - Pressure Range Lo, 43
  - Pressure Sensors, Alerts, 48
  - Pressure Tuning, 41
  - Pressure Tuning Set, 41
  - Pressure Tuning Sets, Gain Values, 42
  - Pressure Units, 57
  - Pressures, 208
  - Principle of Operation, Block Diagram, 235
  - Printed Wiring Board (PWB) Assembly
    - removing, 215
    - replacing, 215
  - Processor Impaired, Alerts, 46
  - Proportional-Integral-Derivative (PID) Function Block, 5
  - Protection, 15, 38
    - Device Variables, 207
  - Proximity, Alerts, 53
  - Proximity Alerts, 52, 201
    - Proximity, 53, 202
    - Travel, 52
    - Travel Closed, 53, 202
    - Travel Open, 53, 201
  - Push Down To, 58
- Q**
- Quality Use and Propagation, ISEL Function Block, 122
  - Quick Connect Cable Entry, 11

**R**

- Related Documents, 10
- Relay, calibration, 191
- Relay A, 191
- Relay B, 16, 191, 192
- Relay C, 191, 192
- Relay Type, 57
- Resource Block, 264
  - Block Alarm, 197
  - Block Errors, 25
  - Clear Fault State, 198
  - Device State, 196
  - Device Variables, 198
  - Options
    - Diagnostic, 199
    - Features Available, 199
    - Function Block, 199
    - Miscellaneous, 199
  - Overview, 21
  - parameters, 30
  - Restart Actions, 197
  - Set Fault State, 198
  - Strategy, 198
  - Tag Description, 198
  - View Lists, 37
  - Device Diagnostics, 196
  - Write Lock, 196
- Resource Block (RB)
  - Menu Structure, 248
  - Menu Tree, 249
- Resource Block Error, 196
- Resource Block Mode, 21
- Response Control, 39
- Restart Actions, Resource Block, 197
- Restart Processor, Resource Block, 198
- Restart with Defaults
  - parameters affected by, 26
  - Resource Block, 198
- Reverse Action, PID Function Block, 107

**S**

- Scheduled Transfers, Device Communication, 270
- Seat Type, 58

- Self Test Status, 202
- Sensor Alerts, 48, 201
  - Pressure Fallback, 49, 201
  - Pressure Sensors, 48, 201
  - Temperature Sensor, 201
  - Travel Sensor, 201
  - Travel Sensor Alert, 48
- Serial Number
  - Actuator, 59
  - Electronics, 24, 198
  - Factory, 24, 198
  - Field, 24, 198
  - Valve, 58
- Set Block Status, PlantWeb Alerts, 253
- Set Fault State, Resource Block, 198
- Set Point Selection and Limiting, AO Function Block, 93
- Set Point Tracking, PID Function Block, 106
- Setting the Output
  - AO Function Block, 92
  - DO Function Block, 168
  - Output Block PV Status, AO Function Block, 93
- Shed Options — RCAS Mode Only, DO Function Block, 167
- Shed Options—RCAS Mode Only
  - AO Function Block, 91
  - PID Function Block, 104
- Signal Conversion, AI Function Block, 150
- Simulate Active Alerts, Alert Handling, 62
- SIMULATE ENABLE terminals, 13
- Simulation
  - AI Function Block, 151
  - AO Function Block, 95
  - DI Function Block, 181
  - DO Function Block, 170
- Single-Acting Relays, calibration, 192
- SP Track retained Target, 106
- SP-PV Track in LO or IMan, 106
- SP-PV Track in Man, 106
- SP-PV Track in ROUT, 106
- Specifications, DVC6200f, 7
- Spring Rate, 60
- Spring Rate Units, 57
- Stabilize/Optimize, 19, 40

Standard Control (SC), 4  
 Standby Firmware Revision, 25, 199  
 static discharge, avoiding, 209  
 Status Handling  
   AI Function Block, 149  
   AO Function Block, 92  
   DI Function Block, 178  
   DO Function Block, 168  
   ISEL Function Block, 122  
   MAI Function Block, 159  
   OS Function Block, 138  
   PID Function Block, 105  
 Status Propagation, Transducer Block, 268  
 STATUS\_OPTS Supported, ISEL Function Block, 126  
 Steady-State Air Consumption, Specifications, 7  
 Strategy, Resource Block, 24, 198  
 Stroking the Digital Valve Controller Output, 218  
 Stroking Time Close, 60  
 Stroking Time Open, 60  
 Substatus Propagation, ISEL Function Block, 123  
 Supply Medium, per ISO 8573-1, 7  
 Supply Pressure  
   Alerts, 49  
   Maximum, 57  
   Maximum Recorded, 204  
   Minimum Recorded, 204  
   Specifications, 7  
 Supply Pressure Sensor, calibration, 192

## T

Tag Description  
   Resource Block, 24, 198  
   Transducer Block, 57  
 Temperature  
   Device Variables, 207  
   Maximum Recorded, 204  
   Minimum Recorded, 204  
 Temperature Limit, Alerts, 50  
 Temperature Limits, Operating Ambient, 8  
 Temperature Units, 57  
 Terminal Box  
   removing, 217  
   replacing, 218

TIIS, Japan, Certification, 8  
 Transducer Block, 264  
   Block Error, 203  
   Device Diagnostics, 200  
   Device Variables, 205  
   parameters, 63  
   Status and Limit Propagation, 267  
   View Lists, 86  
 Transducer Block (TB)  
   Menu Structure, 238  
   Menu Tree, 243, 244, 245, 246, 247  
 Transducer Block Mode, 15, 38  
 Transducer Block Overview, 38  
 Travel, Alert, 50, 52  
 Travel Accumulator  
   Alerts, 54  
   Device Variables, 207  
 Travel Alerts, 50, 201  
   Travel, 50  
   Travel Deviation, 50, 201  
   Travel Hi/Lo, 52, 201  
   Travel Limit, 51, 201  
   Travel Target, 50  
 Travel Closed, Alerts, 53  
 Travel Count, Device Variables, 207  
 Travel Cutoff Hi, 43  
 Travel Cutoff Lo, 43  
 Travel Deviation, Alerts, 50  
 Travel Deviation Pressure Fallback, 43  
 Travel Hi/Lo, Alerts, 52  
 Travel History, Alerts, 54  
 Travel History Alerts, 54, 202  
   Cycle Counter, 54, 202  
   Travel Accumulator, 54, 202  
 Travel Integral Dead Zone, 40  
 Travel Integral Enable, 40  
 Travel Integral Gain, 40  
 Travel Integral Limit Hi, 40  
 Travel Integral Limit Lo, 40  
 Travel Limit, Alerts, 51  
 Travel MLFB Gain, 40  
 Travel Open, Alerts, 53  
 Travel Pressure Control, 42  
 Travel Proportional Gain, 40

Travel Sensor, Alerts, 48  
 Travel Sensor Motion, 59, 60  
   Device Setup, 18  
 Travel Target, Alert, 50  
 Travel Tuning, 39  
 Travel Tuning Set, 39  
 Travel Tuning Sets, Gain Values, 39  
 Travel Units, 57  
 Travel Velocity Gain, 40  
 Travel/Pressure Select, 42  
 Travel/Pressure State, 42  
   Device Variables, 207  
 Trend, 205  
 Trim Style 1, 60  
 Trim Style 2, 60  
 Troubleshooting  
   AI Function Block, 152  
   DVC6200f, 219  
   MAI Function Block, 160  
   mounting, 219  
   utility connections, 219  
 Tuning  
   Pressure, 41  
   Travel, 39  
 Tuning Set  
   Device Setup, 19  
   Pressure, 41  
   Travel, 39  
 Tuning Set B, 19  
 Tuning Sets, Gain Values, 19

## U

Unbalanced Area, 58  
 Unscheduled Transfers, Device Communication, 271  
 Upper Bench Set, 60  
 Utility Connections, Troubleshooting, 219

## V

Valve  
   Actual Travel, 58  
   Class, 58

Inlet Pressure, 58  
 Manufacturer, 58  
 Model Number, 58  
 Outlet Pressure, 58  
 Packing Type, 58  
 Serial Number, 58  
 Shaft Stem Diameter, 58  
 Size, 58  
 Style, 58  
   Device Setup, 18

Valve Position Proximity Detection, Channels 30-33, DI  
 Function Block, 179

Valve Travel, Channel 23, DI Function Block, 178

Variable Limit Switch, Channels 26-29, DI Function  
 Block, 179

Vibration Testing, Method, 8

View / Edit Feedback Connection, 59

View Lists, 195

  AI Function Block, 156  
   Analog Output (AO) Function Block, 100  
   DI Function Block, 186  
   DO Function Block, 175  
   ISEL Function Block, 133  
   MAI Function Block, 163  
   OS Function Block, 145  
   PID Function Block, 117  
   Resource Block, 37  
   Transducer Block, 86

## W

Weight  
   DVC6200f, 8  
   DVC6205f, 8  
   DVC6215, 8

Wiring and Electrical Connections, Communication  
 Connections, 12

Wiring Practices, 11

Write Alarm, 24

Write Lock, 21  
   Resource Block, 196  
 Write Lock, 21  
 Write Priority, 22

## Z

Zero Power Condition, 57  
   Device Setup, 18







Neither Emerson, Emerson Process Management, nor any of their affiliated entities assumes responsibility for the selection, use or maintenance of any product. Responsibility for proper selection, use, and maintenance of any product remains solely with the purchaser and end user.

Fisher, FIELDVUE, ValveLink, PlantWeb, DeltaV, and Baumann are marks owned by one of the companies in the Emerson Process Management business unit of Emerson Electric Co. Emerson Process Management, Emerson, and the Emerson logo are trademarks and service marks of Emerson Electric Co. FOUNDATION fieldbus is a mark owned by the Fieldbus Foundation. All other marks are the property of their respective owners.

The contents of this publication are presented for informational purposes only, and while every effort has been made to ensure their accuracy, they are not to be construed as warranties or guarantees, express or implied, regarding the products or services described herein or their use or applicability. All sales are governed by our terms and conditions, which are available upon request. We reserve the right to modify or improve the designs or specifications of such products at any time without notice.

Emerson Process Management  
Marshalltown, Iowa 50158 USA  
Sorocaba, 18087 Brazil  
Chatham, Kent ME4 4QZ UK  
Dubai, United Arab Emirates  
Singapore 128461 Singapore

[www.Fisher.com](http://www.Fisher.com)