

**DESCRIPTION:** The SiteGate-E provides communications between a SiteScan workstation and a control module network (ARC156) consisting of up to 32 control modules. The SiteGate-E provides one Ethernet Console Port and one serial port for direct connection. The Ethernet port is designated meets the IEEE 802.3 standard. The serial console ports are switch selectable for baud rates up to 38.4k bps. Communication between the SiteGate-E and the ARC156 network is provided through an EIA-485 port.

**DIMENSIONS:**

Module:	7 1/8" H x 6 1/4" W X 1 5/8" D 18.10cm H x 15.88cm W X 4.13cm D
Enclosure: (painted steel)	12"H x 14.25" W x 2.85" D 419.1mm x 301.3mm x 78.6mm

See Enclosure Diagrams for mounting options.

**POWER:** 24 VAC ±10%, 50-60 Hz, 7.2 VA.

**ENVIRONMENTAL**

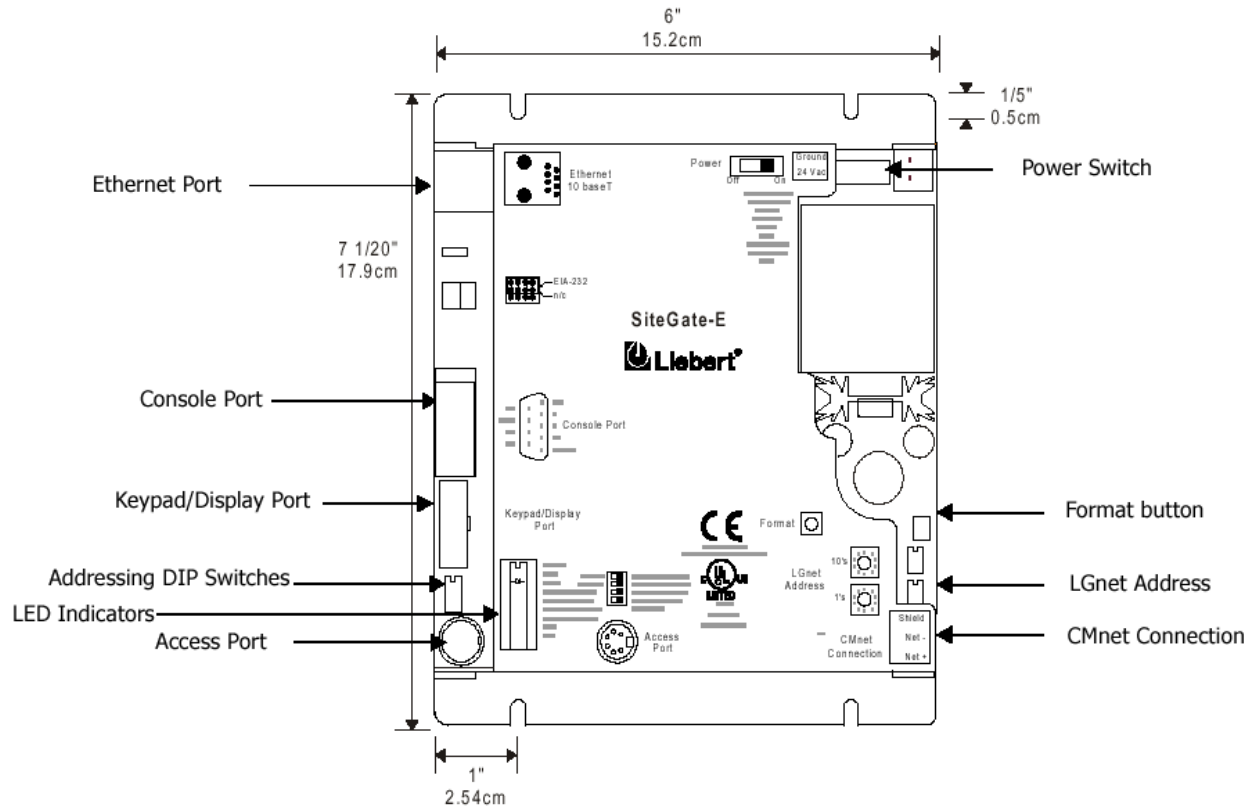
**OPERATING RANGE:** 0 to 130°F (-17.8 to 54.4°C); 10 to 90% relative humidity, non-condensing. For UUKL Smoke Control Systems, 32°-120.2°F (0°-49°C); 10 to 85% relative humidity, non-condensing.

- COMMUNICATIONS:** One (1) Ethernet IEEE 802.3 port  
RJ-45 connector  
One (1) Serial port (EIA-232)  
DB-9 male  
One (1) CMnet EIA-485 Port - Control Module network screw terminals  
Switch selectable baud rates ARC156 / 9600 or 38.4bps  
*Recommended wire is: MAGNUM Cable pn A3-ARC-156-2*
- MEMORY:** 1 MB flash, 1 MB RAM.
- BATTERY:** Seven-year lithium battery provides a minimum of 10,000 hours of data retention during power outages.
- FAULT DETECTION:** Hardware watchdog timer.
- PROTECTION:** Built-in surge and transient protection circuitry.

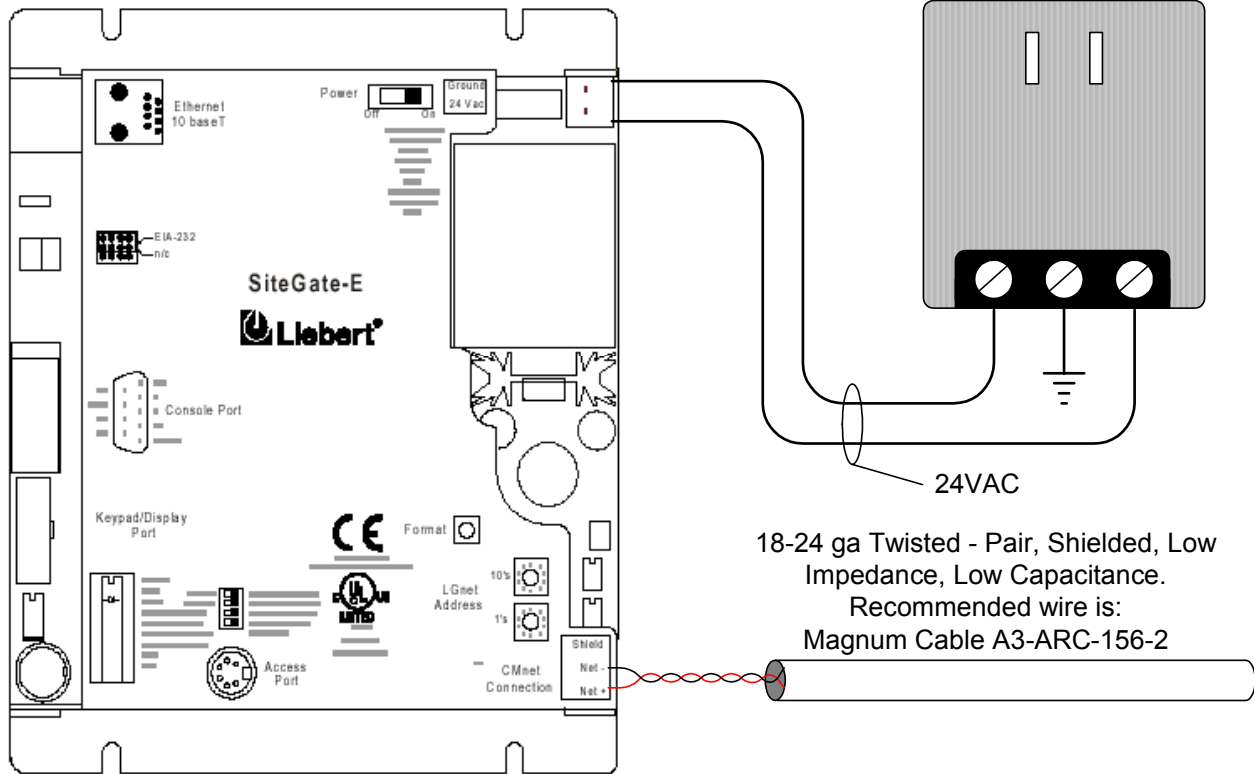
**DIAGNOSTIC LED's:**

<b>Power</b>	indicates when power is on.
<b>Run</b>	blinks when the processor is running.
<b>Error</b>	lights when an error is detected.
<b>CMnet Transmit</b>	lights when SiteGate-E transmits data over ARC156 network.
<b>CMnet Receive</b>	lights when SiteGate-E receives data from the ARC156 network.
<b>Console Transmit (TX)</b>	lights when the Console port transmits data.
<b>Console 2 Receives (RX)</b>	lights when the Console port receives data.
<b>Link</b>	lights when the Ethernet port is connected.
<b>Lan</b>	lights when the Ethernet port is active.

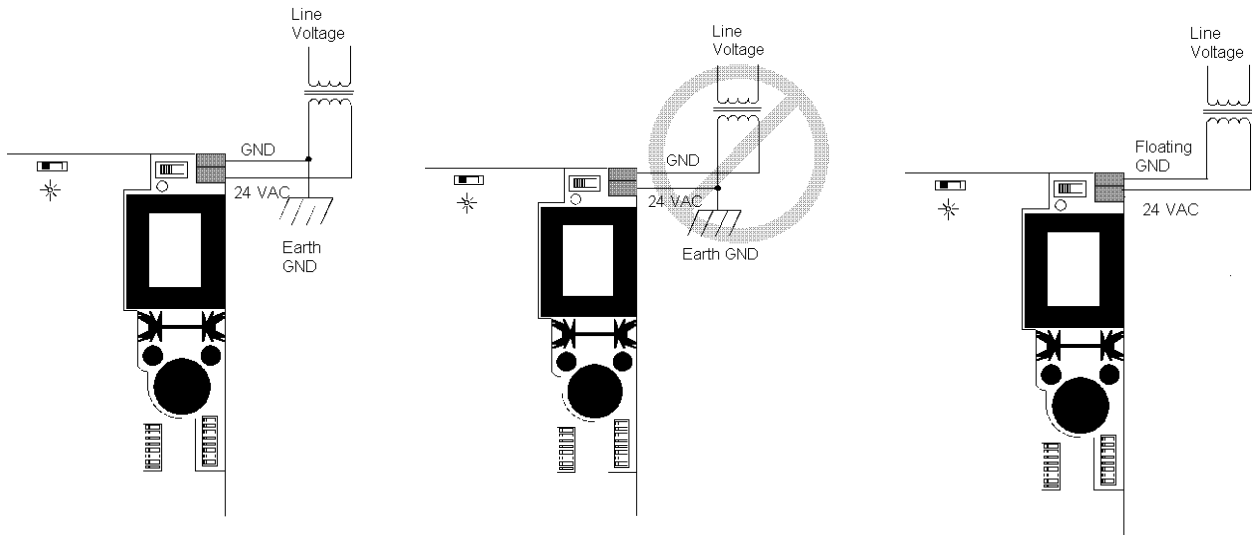
**MODULE DIMENSIONS AND LAYOUT**



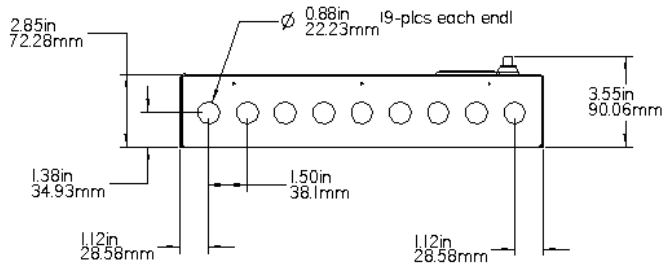
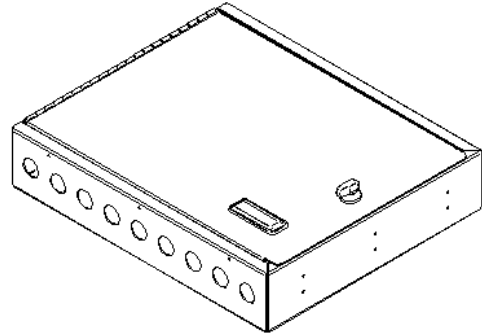
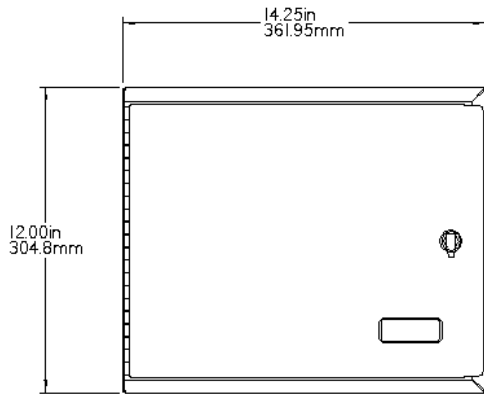
**COMMUNICATIONS WIRING DIAGRAM**



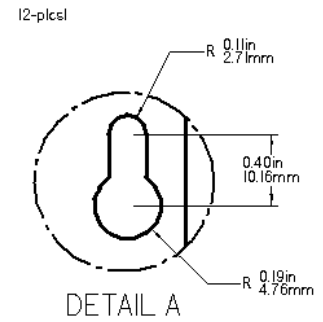
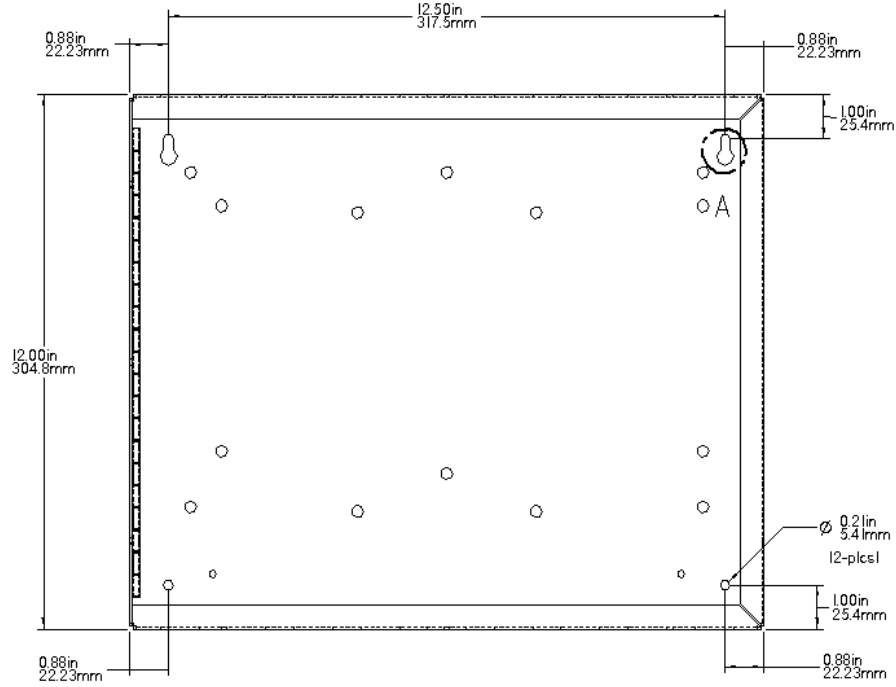
**POWER WIRING  
DIAGRAMS**



**ENCLOSURE DIMENSIONS**



**Enclosure Wall Mounting**



**Enclosure Floor Mounting**

