



***Rechargeable
Sonic Power Toothbrush
with UV Sanitizer***

**OWNER'S MANUAL
ER109001**

Visit our web site at "www.emersonradio.com"

UNAUTHORIZED MODIFICATIONS TO THIS DEVICE COULD VOID MANUFACTURER'S WARRANTY.

IMPORTANT SAFEGUARDS

The Power toothbrush is safe and effective when used according to directions. Like any electrical appliance, however, basic safety precautions should be followed, especially when children are present.

READ ALL INSTRUCTIONS BEFORE USING:

DANGER-WATER

To reduce the risk of burns, electrocution, fire, or injury to persons:

- ❶ Do not place or store the charger base with UV sanitizer where it can fall or be pulled into a bathtub, sink or toilet.
- ❷ Do not place or drop the charger into water or other liquid.
- ❸ Do not reach for a product that has fallen into water or other liquid. Unplug immediately.
- ❹ Do not use while bathing.
- ❺ Unplug charger base with UV sanitizer before cleaning and assure that it is dry before plugging it into an electrical outlet.

DANGER-VOLTAGE

To reduce the risk of burns, electrocution, fire, or injury to persons:

- ❶ Do not plug the charger base with UV sanitizer into an outlet with a voltage other than specified on the bottom of the charger.
- ❷ This product is designed to operate within a range of 100-240 volts.
- ❸ Voltage converters do not guarantee compatibility.
- ❹ Do not force the plug into an outlet.
- ❺ If the plug does not fit easily into the outlet, discontinue use.
- ❻ Never wrap the cord tightly around the appliance. Never allow the power supply cord to be pulled, twisted, or severely bent. Untwist the cord before use.

DANGER-WARNINGS

To reduce the risk of burns, electrocution, fire, or injury to persons:

- ❶ This product is not intended for use by persons (including children) with reduced physical, sensory or mental capabilities or lack of experience and knowledge, unless they have been given adequate supervision or instruction concerning use of the product by an adult responsible for their safety.

IMPORTANT SAFEGUARDS

- ② Children should be supervised to ensure they do not play with the product.
- ③ Use this product only for its intended use as described in this manual. This product is designed to clean your teeth, gums and tongue only. Do not use any attachments or brush heads other than those recommended by the manufacturer.
- ④ The toothbrush is a personal care appliance and is not intended for use on multiple patients in a dental office or institution.
- ⑤ If your toothpaste includes peroxide, baking soda or other bicarbonate (common in whitening toothpastes), thoroughly clean your brush head and handle after each use to avoid damaging the plastic.
- ⑥ Never operate this product if it has a damaged cord, plug or charger with UV sanitizer. Do not use this product if it is not working properly, if it has been dropped or damaged or dropped into water. Immediately discontinue use if the product appears damaged in any way.
- ⑦ Keep the product, including power cord away from heat surfaces.
- ⑧ If you experience discomfort or pain in your mouth, discontinue use of this product and contact a dentist.
- ⑨ Do not attempt to remove the battery unless the product life has ended.
- ⑩ Do not clean the toothbrush in the dishwasher.
- ⑪ Discontinue use of the charger with UV sanitizer if the UV light bulb remains on when the lid is open. UV light can be harmful to human eyes and skin. Keep the charger with UV sanitizer out of the reach of children at all times.
- ⑫ The UV light bulb is hot during or after the sanitizing cycle. Do not touch the UV light bulb when it is hot.
- ⑬ Do not look directly into the UV light.
- ⑭ Do not allow any impact to the UV lamp. If the UV lamp breaks leave the immediate area for a minimum 30 minutes and then clean up. Do not touch the mercury directly with bare hands especially if you are pregnant or planning to become pregnant.
- ⑮ For the best disinfection performance, always keep the UV lamp clean and avoid stains.
- ⑯ In case the UV lamp gets dirty, wipe it with a soft cloth very gently.
- ⑰ This appliance has a polarized plug (one blade is wider than the other). As a safety feature, this plug will fit in a polarized outlet only one way. If the plug does not fit fully in the outlet, reverse the plug. If it still does not fit, contact a qualified electrician. Do not attempt to defeat this safety feature.

IMPORTANT SAFEGUARDS

- 18 Do not use outdoors or operate where aerosol (spray) products are being used or where oxygen is being administered.
- 19 Do not leave appliance when plugged in. Unplug from outlet when not in use and before servicing.
- 20 Do not pull or carry by the cord, do not use the cord as a handle, do not close the door on the cord, do not pull the cord around sharp edges or corners.
- 21 Do not handle plug or appliance with wet hands.
- 22 Turn off all controls before unplugging.
- 23 Replacement of the UV lamp can only be carried out by professional staff, can not be replaced by the consumer.
- 24 This cover is provided with an interlock to reduce the risk of excessive ultraviolet radiation. Do not defeat its purpose or attempt to service without removing.
- 25 This appliance complies with US Federal requirements, including 21 CFR, Chapter 1, Subchapter J, Radiological Health.

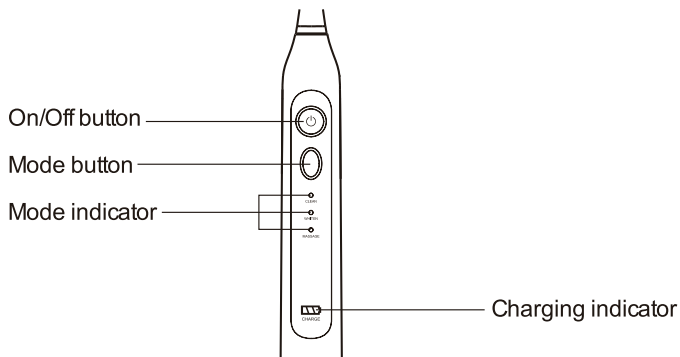
MEDICAL WARNINGS

- 1 If you have had oral surgery or gum surgery within the past two months, consult your dental provider before using the product.
- 2 Consult your dental provider if excessive bleeding occurs while using this product or minor bleeding continues to occur after one week of use.
- 3 Consult your physician or implant device manufacturer prior to using this product if you have questions concerning the combined use of this product with a pacemaker or other implanted medical device(s).
- 4 Consult your physician prior to using the toothbrush if you have any medical concerns.
- 5 The toothbrush has been tested and is certified as per ETL and CE regulations.
- 6 Always unplug this product immediately after using.
- 7 Never use while impaired or drowsy.

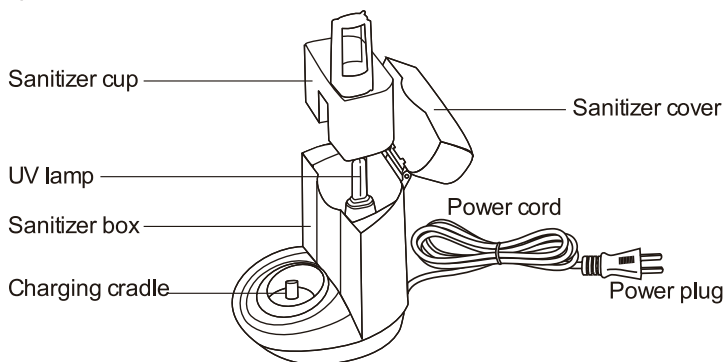
**SAVE THESE INSTRUCTIONS
FOR HOUSEHOLD USE ONLY**

LOCATION OF CONTROLS

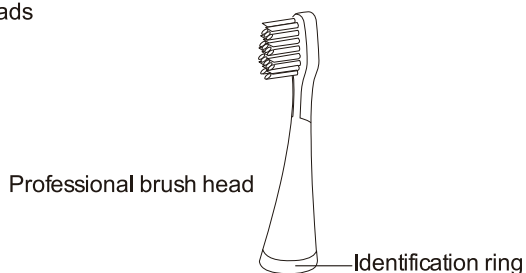
Handle



Charger



Brush heads



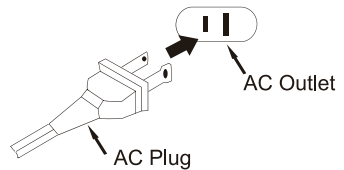
OPERATION

Charging the toothbrush

Be sure to turn off the toothbrush before charging.

AC CONNECTION

Unwind the AC cord and extend it to its full length. Insert the AC plug into any convenient 120V 60Hz household outlet. Please note that this unit is equipped with a polarized AC plug which has one blade wider than the other. This is a safety feature to reduce the likelihood of electric shock. This polarized AC plug will only fit in a polarized AC outlet. If you find that you cannot insert this plug into your outlet, you may have an obsolete non-polarized outlet. Please do not defeat this safety feature by using a non-polarized adapter or by altering the wider blade to make it fit into your non compliant outlet. If this plug does not fit into your outlet, you should contact a qualified licensed electrician to replace your obsolete outlet.



Plug the power plug into the outlet. Place the handle in the charger. The charger indicator light will be lit, indicating the handle is charging. After the battery is fully charged, all the 3 sections of charge indicator light will turn solid green, indicating the toothbrush is fully charged.

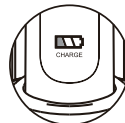


Notes:

- ① It takes 24 hours to fully charge the battery. When fully charged, the toothbrush can be used 20 pre-timed brush cycles, or approximately 10 days, if brushing twice daily.
- ② The toothbrush must be charged for 24 hours, if:
 - a. this is the first time using the toothbrush;
 - b. the toothbrush has not been used for more than three months; or
 - c. the charge is drained from use.



3 flashing green sections:
less than 1/3 charge



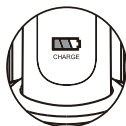
1 solid green sections:
1/3-2/3 charge

OPERATION

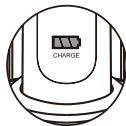
③ To keep the battery fully charged, we recommend that you keep the toothbrush in the charger when not in use.

④ During charging, the toothbrush will get warm, but this is normal.

⑤ The operating duration will become shorter as the battery gets older. If the toothbrush operates only for 1 short time after being fully charged, this means that the battery is nearing the end of its life cycle. Contact service center for support.



2 solid green sections:
2/3-full charge



3 solid green sections:
full charge

How To Use

- ① Attach a brush head to the handle. There will be about 0.5mm space between the brush head and the handle. (Fig 1)
- ② Press the mode button to select mode. If you know the mode used last time, You do not need to select the mode again. There are 3 modes.

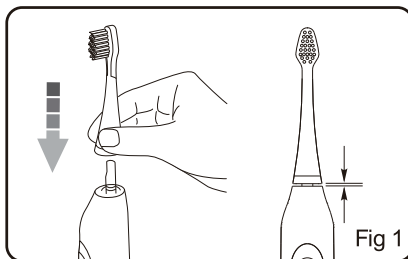


Fig 1

- a. **CLEAN:** Standard mode for superior teeth cleaning.
 - b. **WHITEN:** Teeth cleaning with polishing and whitening.
 - c. **MASSAGE:** Pulsates for gentle gum stimulation.
- ③ Wet the bristles and apply a small amount of toothpaste.

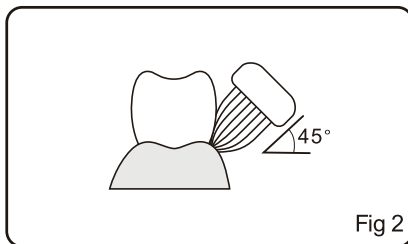


Fig 2

OPERATION

- ④ Place the bristles against the teeth at a slight angle towards the gum line.(Fig 2)
- ⑤ Press the on/off button to turn on the toothbrush.
- ⑥ Apply light pressure and gently move the brush head slowly across the teeth in a small back and forth motion.
- ⑦ In order to maximize cleaning effectiveness, divide your mouth in 4 sections. Start with section 1 and brush each section for 30 seconds. The brushing action will pause between each 30 second interval, indicating when to move to the next section. The toothbrush will automatically stop after 2 minutes of use. (Fig 3)
- ⑧ Take down the brush head from handle. (Fig 4)
- ⑨ Rinse both the brush head and handle under running water and wipe them dry. (Fig 5)
- ⑩ Put the handle back into the charger.

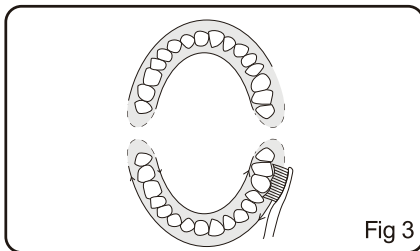


Fig 3

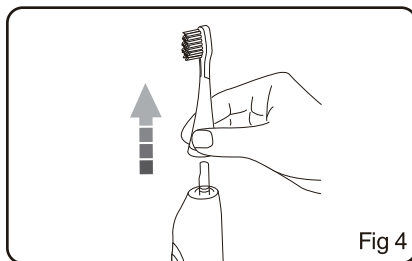


Fig 4

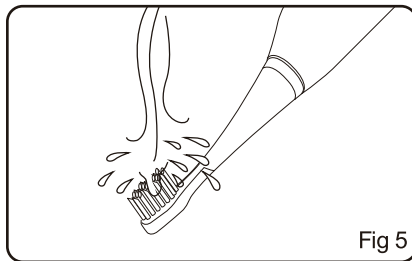
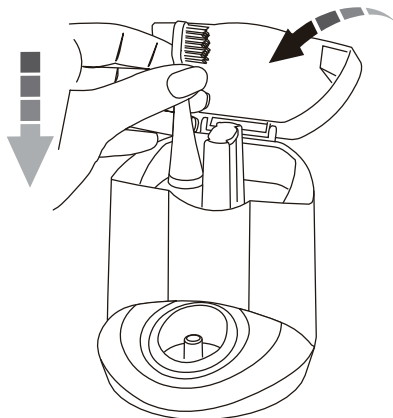


Fig 5

OPERATION

Sanitizing the Brush Head

This product includes a UV sanitizer to sanitize the brush heads between use. The sanitizer has been proven 99.9% effective against E.Coli, Candida Albicans, Salmonella and H. Simplex. It is also 96.8% effective against H1N1.



- ❶ Gently shake the toothbrush to remove any excess water after cleaning.
- ❷ Open the sanitizer cover.
- ❸ Place the brush heads on the stand with the bristles directly facing the UV lamp.
- ❹ Make sure the charger with UV sanitizer is plugged into a working outlet.
- ❺ Close the sanitizer cover to activate the UV sanitizing process.
 - a. The UV sanitizer cover will glow with a slight blue hue indicating the UV lamp is lit and the sanitizing cycle has started. Please note this glow may be difficult to view in well-lit areas.
 - b. When the sanitizing cycle is complete, the sanitizer will automatically turn off and the cover will no longer glow.
- ❻ When using the UV sanitizer:
 - a. Place only ER109001 brush heads in the sanitizer.
 - b. The UV sanitizer will run for approximately seven minutes and shut off automatically.
 - c. The UV sanitizer will run automatically every time the UV sanitizer cover is closed.
 - d. Do not place other objects, including brush heads other than ER109001 into the UV sanitizer.

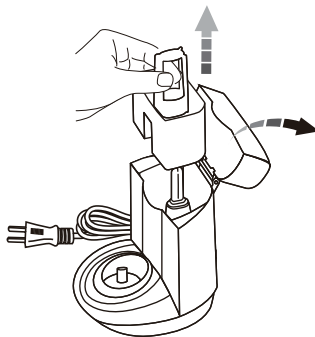
TROUBLESHOOTING

Maintenance

Be sure to remove the plug from the electrical outlet before cleaning the product.

Charger :

- ❶ Open the sanitizer cover to remove.
- ❷ Using a soft cloth, wipe off any dirt on the charger and UV lamp exterior surfaces.
- ❸ Clean the plug periodically especially the metal plate to ensure it remains in good working order. The accumulation of dust or dirt on the plug can cause an electric shock, overheat or fire.



Toothbrush :

- ❶ Remove the brush head.
- ❷ Wipe all surface areas with a damp cloth and place the handle back into the charger. Do not submerge the handle into water.
- ❸ Rinse the brush head and bristles after each use.
- ❹ Do not clean in the dishwasher.

Troubleshooting Before Calling for Service

Problem	Possible cause	Solution
The toothbrush doesn't work.	You have just purchased the product or it has not been used for more than 3 months.	Charge the handle for at least 24 hours.
Weak or diminished vibration.	The toothbrush is pressed hard against your teeth.	Place the brush head gently against your teeth.
The toothbrush operates only for a short period of time even immediately after being charged.	The battery has reached the end of its life cycle.	Contact service center for support.
	Charging time was insufficient.	Charge the handle for at least 24 hours.
UV sanitizer light does not turn on.	The sanitizer cover may be open.	Close the sanitizer cover.
	The power plug may not be plugged in.	Plug in the power plug.
	The UV lamp may be defective.	Contact service center for support.

TROUBLESHOOTING

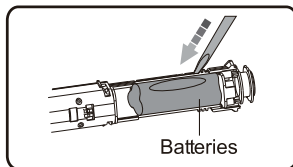
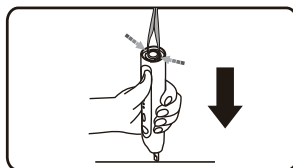
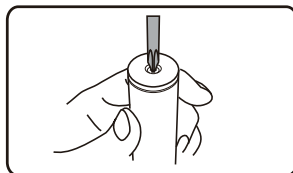
Disposal

The power source of this product is a nickel-metal hydride battery which can be recycled. At the end of the product's life, always remove the battery before you discard the product, and recycle or dispose of the battery according to local waste management requirements. Do not throw away the appliance of the UV light lamp (lamp contains mercury) with normal household waste at the end of its life. Instead, hand it in at an official waste collection point for recycling. By doing all of the above, you help to preserve and protect the environment. If you have recycling questions, contact your local waste management office.

Removing and recycling the battery

Do not disassemble the product at any time other than when disposing of it. Doing so earlier will destroy the product. Observe basic safety precautions.

- ❶ Before removing the battery, be sure to completely drain the unit of power. Turn on the device by pressing the on/off button and let it work until the battery has fully drained.
DO NOT LEAVE DEVICE UNATTENDED WHILE RUNNING.
- ❷ Use a screwdriver to remove the screw and battery door.
- ❸ Hold the handle upside down, press the toothbrush shaft, and remove the two hooks at the same time to release the internal components of the handle.
- ❹ Insert the screwdriver next to the battery connections, and twist to break the connections. Remove the circuit board and pry the battery from the plastic carrier.
- ❺ Recycle or dispose of the battery properly. Ask your local waste management office if they accept the remaining toothbrush components for recycling.



Be careful not to short-circuit the negative and positive poles of the battery. Do not connect the appliance to the mains again after you have removed the battery.

SPECIFICATIONS

Item	Rating Specification
Power Supply	100-240V~ 50/60Hz
Power	2.0-3.0W
Outside Dimensions	10(L) x 10(W) x 27(H)cm
Weight	0.5KG Approx.



◆◆◆◆◆ SERVICE ◆◆◆◆◆

FOR ADDITIONAL SET-UP OR OPERATING ASSISTANCE
PLEASE CALL:

1-800-898-9020 OR 1-800-695-0098

FOR CUSTOMER SERVICE, PLEASE E-MAIL TO:
internet@emersonradio.com

OR WRITE TO:
Emerson Radio Corp.
Consumer Affairs Dept.
3 University Plaza
Suite 405
Hackensack, NJ 07601

LIMITED WARRANTY

Emerson Radio Corp. warrants this product to be free from manufacturing defects in original material, including original parts, and workmanship under normal home use and conditions ("manufacturing defect") for a period of two (2) years from date of original purchase in, and if used in the United States. Should service be necessary under this warranty, Emerson will provide the following at our Return Repair Facility, provided the manufacturing defect is verified along with the date of purchase:

* Repair service for two (2) years from date of original purchase at no charge for labor and any parts required for repair.

To Receive Authorization to Return a Defective Item, please contact Emerson Customer Service at 1-800-898-9020. Have your Model number, Serial Number and dated Proof of Purchase with you when you call.

In the event the product must be returned to Emerson:

- * Pack the unit in a well-padded heavy corrugated box. Please insure the item is well padded to avoid damage while in transit back to our facility. If the item incurs damage, it will NOT be replaced and the consumer will be responsible for return freight costs to receive their same unit back.
- * Enclose your check or money order payable to Emerson Radio in the amount of \$15 to cover return shipping and handling costs.
- * Enclose a note with your name, address, phone number, Return Authorization number and brief reason for returning the unit.
- * Enclose a copy of your proof of purchase (warranty service will not be provided without dated proof of purchase).
- * Ship the unit prepaid via UPS or parcel post (SHIP INSURED and obtain a tracking number).

NOTE: This warranty does not cover:

- (a) Damage to equipment not properly connected to the product.
- (b) Cost incurred in the shipping of the product to and from Emerson's Return Facility.
- (c) Cosmetic damage such as scratches, or damage caused by: Normal wear and tear, accident, misuse, dirt or water.
- (d) Improper use.
- (e) The product being tampered with, being altered or used for commercial purposes.
- (f) Ordinary adjustments to the product which can be performed by customer as outlined in the owner's manual.
- (g) Repairs carried out by agents not authorized by Emerson.
- (h) Failure to take proper care of the product, including recharging.
- (i) Products not purchased in the United States.
- (j) Damage to product if used outside the United States.

THIS WARRANTY IS NON-TRANSFERABLE AND APPLIES ONLY TO THE ORIGINAL PURCHASER AND DOES NOT EXTEND TO SUBSEQUENT OWNERS OF THE PRODUCT. ANY APPLICABLE IMPLIED WARRANTIES, INCLUDING THE WARRANTY OF MERCHANTABILITY, ARE LIMITED IN DURATION TO A PERIOD OF THE EXPRESSED WARRANTY AS PROVIDED HEREIN BEGINNING WITH THE DATE OF ORIGINAL PURCHASE AT RETAIL AND NO WARRANTIES, WHETHER EXPRESSED OR IMPLIED, SHALL APPLY TO THE PRODUCT THEREAFTER. EMERSON MAKES NO WARRANTY AS TO THE FITNESS OF THE PRODUCT FOR ANY PARTICULAR PURPOSE OR USE.

THE EXTENT OF EMERSON RADIO CORP'S LIABILITY UNDER THIS LIMITED WARRANTY IS THE REPAIR OR REPLACEMENT PROVIDED ABOVE AND, IN NO EVENT, SHALL EMERSON RADIO CORP'S LIABILITY EXCEED THE PURCHASE PRICE PAID BY THE PURCHASER OF THE PRODUCT. UNDER NO CIRCUMSTANCES SHALL EMERSON RADIO CORP. BE LIABLE FOR ANY LOSS, DIRECT, INDIRECT, INCIDENTAL, SPECIAL, OR CONSEQUENTIAL DAMAGE ARISING OUT OF OR IN CONNECTION WITH THE USE OF THIS PRODUCT. THIS WARRANTY IS VALID ONLY IN THE UNITED STATES OF AMERICA.

THIS WARRANTY GIVES YOU SPECIFIC LEGAL RIGHTS. HOWEVER, YOU MAY HAVE OTHER RIGHTS WHICH MAY VARY FROM STATE TO STATE. SOME STATES DO NOT ALLOW LIMITATIONS ON IMPLIED WARRANTIES OR EXCLUSION OF CONSEQUENTIAL DAMAGE, THEREFORE THESE RESTRICTIONS MAY NOT APPLY TO YOU.

15-02-1402M

The serial number can be found on the back cabinet. We suggest that you record the serial number of your unit in the space below for future reference.

Model Number: _____

Serial Number: _____

