



Emerson[®]

***Portable CD-R/RW Player
with AM/FM Stereo Radio***

OWNER'S MANUAL



PD5203

Visit our web site at www.emersonradio.com



CAUTION

TO PREVENT FIRE OR SHOCK HAZARD, DO NOT USE THIS PLUG WITH AN EXTENSION CORD, RECEPTACLE OR OTHER OUTLET UNLESS THE BLADES CAN BE FULLY INSERTED TO PREVENT BLADE EXPOSURE. TO PREVENT FIRE OR SHOCK HAZARD, DO NOT EXPOSE THIS APPLIANCE TO RAIN OR MOISTURE.

 <p>The lightning flash with arrow-head symbol, within an equilateral triangle is intended to alert the user to the presence of uninsulated 'dangerous voltage' within the product's enclosure that may be of sufficient magnitude to constitute a risk of electric shock to persons.</p>	<p style="text-align: center;">CAUTION RISK OF ELECTRIC SHOCK DO NOT OPEN</p> <p>WARNING: TO REDUCE THE RISK OF ELECTRIC SHOCK DO NOT REMOVE COVER (OR BACK), NO USER SERVICEABLE PARTS INSIDE REFER SERVICING TO QUALIFIED SERVICE PERSONNEL.</p>	 <p>The exclamation point within an equilateral triangle is intended to alert the user to the presence of important operating and maintenance (servicing) instructions in the literature accompanying the appliance.</p>
--	--	---

The Caution Marking maybe located at the bottom enclosure of the apparatus.

IMPORTANT SAFETY INSTRUCTIONS

- 1.) Read these instructions. Keep these instructions. Follow all instructions. Heed all warnings.
- 2.) Do not use this apparatus near water.
- 3.) Clean only with dry cloth.
- 4.) Do not block any ventilation openings. Install in accordance with the manufacturer's instructions.
- 5.) Do not install near any heat sources such as radiators, heat registers, stoves, or other apparatus (including amplifiers) that produce heat.
- 6.) Do not defeat the safety purpose of the polarized or grounding-type plug. A polarized plug has two blades with one wider than the other. A grounding type plug has two blades and a third grounding prong. The wide blade or the third prong is provided for your safety. If the provided plug does not fit into your outlet, consult an electrician for replacement of the obsolete outlet.
- 7.) Protect the power cord from being walked on or pinched particularly at plugs, convenience receptacles, and the point where they exit from the apparatus.
- 8.) Only use attachments / accessories specified by the manufacturer.
- 9.) Unplug this apparatus during lightning storms or when unused for long periods of time.
- 10.) Refer all servicing to qualified service personnel. Servicing is required when the apparatus has been damaged in any way, such as power-supply cord or plug is damaged, liquid has been spilled or objects have fallen into the apparatus, the apparatus has been exposed to rain or moisture, does not operate normally, or has been dropped.
- 11.) This appliance shall not be exposed to dripping or splashing water and no object filled with liquids such as vases shall be placed on the apparatus.
- 12.) Use only with the cart, stand, tripod, bracket, or table specified by the manufacturer, or sold with the apparatus. When a cart is used, use caution when moving the cart/apparatus combination to avoid injury from tip-over.
- 13.) Do not overload wall outlet. Use only power source as indicated.
- 14.) Use replacement parts as specified by the manufacturer.
- 15.) The product may be mounted to a wall only if recommended by the manufacturer.
- 16.) Upon completion of any service or repairs to this product, ask the service technician to perform safety checks.





Before We Begin

Thank you for purchasing this Emerson audio product. The Emerson brand is your assurance of quality, performance and value.

Our engineers have included many useful and convenient features in this product. Please be sure to read this Owner's Manual completely to make sure you are getting the maximum benefit from each feature.

This product was manufactured using the highest quality components and standards of workmanship. It was tested by Emerson inspectors and found to be in perfect working order before it left our factory. However, there is always the chance that some problem may occur because of rough handling during shipment to the retail store or to the final consumer.

If, after reading this manual, you experience any problems with the operation of this product, please refer to the instructions for obtaining service at the end of this manual.

Emerson and Emerson retailers are committed to your satisfaction.

Once again, thanks for purchasing this Emerson audio product.



IMPORTANT NOTES

- Avoid installing this unit in places exposed to direct sunlight or close to heat radiating appliances such as electric heaters, on top of other stereo equipment that radiates too much heat, places lacking ventilation or dusty areas, places subject to constant vibration and/ or humid or moist areas.
- Do not attempt to clean this unit with chemical solvents as this might damage the finish. Use a clean dry cloth.
- Operate controls and switches as described in the manual.
- Before turning 'On' the power, make certain that power cord is properly installed.
- Store your CDs in a cool area to avoid damage from heat.
- When moving the set, be sure to first disconnect the power cord.

CLASS 1 LASER PRODUCT

CLASS 1 LASER PRODUCT
APPAREIL À LASER DE CLASSE 1
PRODUCTO LASER DE CLASE 1

CAUTION
INVISIBLE LASER RADIATION
WHEN OPEN AND INTERLOCKS
DEFEATED.
AVOID EXPOSURE TO BEAM



This product contains a low power Laser Device.

FCC Information

This equipment has been tested and found to comply with the limits for a Class B digital device, pursuant to Part 15 of the FCC Rules. These limits are designed to provide reasonable protection against harmful interference in a residential installation. This equipment generates, uses, and can radiate radio frequency energy and, if not installed and used in accordance with the instructions, may cause harmful interference to radio communications. However, there is no guarantee that interference will not occur in a particular installation. If this equipment does cause harmful interference to radio or television reception, which can be determined by turning the equipment off and on, the user is encouraged to try to correct the interference by one or more of the following measures:

- Reorient or relocate the receiving antenna.
- Increase the separation between the equipment and receiver.
- Connect the equipment into an outlet on a circuit different from that to which the receiver is connected.
- Consult the dealer or an experienced radio/TV technician for help.

This device complies with Part 15 of the FCC Rules. Operation is subject to the following two conditions:

- (1) This device may not cause harmful interference, and
- (2) This device must accept any interference received, including interference that may cause undesired operation.

Changes or modifications not expressly approved by the party responsible for compliance could void the user's authority to operate the equipment.



PREPARATION FOR USE

Unpacking and Set Up

- Carefully remove the unit from the carton and remove all packing materials from the unit.
- Carefully remove any small strips of tape which may have been used to keep the CD door closed during shipment.
- Open the CD compartment by pressing on the **OPEN/CLOSE** position of the CD door and lifting upward. Inside the CD compartment you will see a 'dummy' CD transit card which is used to prevent the laser pick-up from moving during shipment. Carefully remove this card and close the CD compartment door.
- Please save the carton and packing materials in the event that your unit ever needs to be returned for service. The original carton and packing materials are the only way to protect the unit from damage during shipment.



Protect Your Furniture

This model is equipped with non-skid rubber 'feet' to prevent the product from moving when you operate the controls. These 'feet' are made from non-migrating rubber material specially formulated to avoid leaving any marks or stains on your furniture. However certain types of oil based furniture polishes, wood preservatives, or cleaning sprays may cause the rubber 'feet' to soften, and leave marks or a rubber residue on the furniture. To prevent any damage to your furniture we strongly recommend that you purchase small self-adhesive felt pads, available at hardware stores and home improvement centers everywhere, and apply these pads to the bottom of the rubber 'feet' before you place the product on fine wooden furniture.



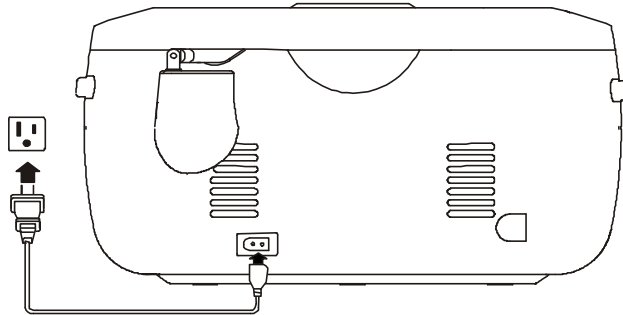


Power Sources

This unit is designed to operate on 6 “C” batteries, not included, or on normal 120V 60Hz AC house current. Operating this unit from any other power source may cause damage to the unit, and such damage is not covered by your warranty.

AC Operation

Connect the small end of the AC Power Cord to the AC socket on the back cabinet, then insert the plug in any convenient household 120V 60Hz AC outlet.

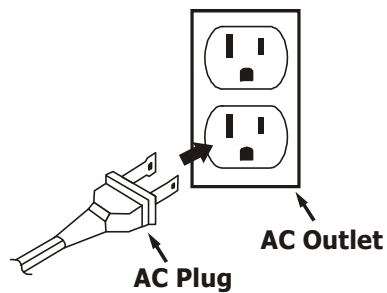


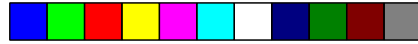
Note:

This unit has a polarized AC plug with one wide blade and one narrow blade. This plug will only fit into a matching polarized AC outlet. This is a safety feature to reduce the possibility of electric shock.

If this plug will not fit in your AC outlet, you probably have an outdated non-polarized outlet. You should have your outdated outlet changed by a qualified, licensed electrician.

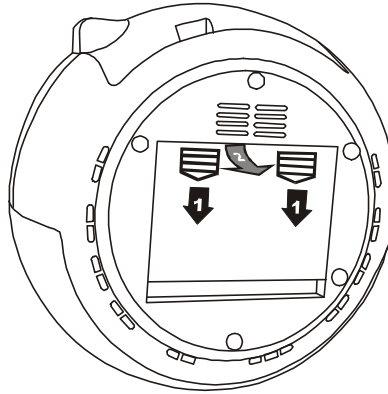
Do not file the wide blade on the plug, or use an adapter to make the plug fit into your outlet. This defeats the safety feature and could expose you to electric shock.



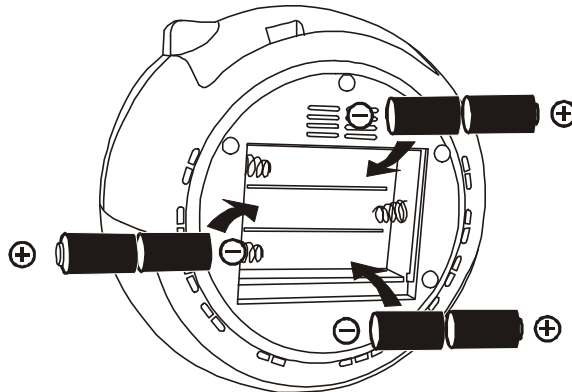


Battery Operation

- 1.) Remove the battery compartment door on the bottom of the cabinet by pressing down on the two tabs directly below the “^{OPEN}” marks and slide it down in the direction of the “arrows”.
- 2.) Lift the door up to open.

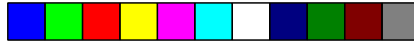


- 3.) Insert 6 “C” size batteries into the battery compartment according to the polarity diagram engraved inside the compartment. If the batteries are inserted incorrectly the unit will not work.



- 3.) Replace the battery compartment door.


Note: In order to operate the unit on battery power the AC cord must be disconnected from the AC socket on the back cabinet.



Battery Precautions

- Replacement of batteries must be done by an adult.
- Do not mix old and new batteries.
- Do not mix alkaline, standard (carbon-zinc) or rechargeable (nickel-cadmium) batteries.
- The supply terminals are not to be short-circuited.
- Non-rechargeable batteries are not to be recharged.
- Exhausted batteries are to be removed.
- Only batteries of the equivalent type are to be used.
- Batteries are to be inserted with the correct polarity.
- Dispose of batteries properly. Do not dispose of batteries in fire. The batteries may explode or leak.

Stereo Headphone Jack

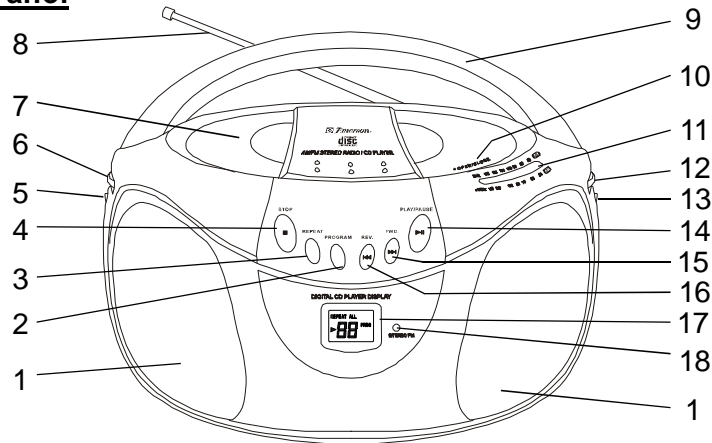
Connect a set of stereo headphones (not included) with a 3.5mm mini plug to the **PHONES**  jack (located at left back panel) for private listening without disturbing others.

Before putting on the headphones reduce the **VOLUME** control to a low level, then put the headphones on and gradually increase the **VOLUME** control to a comfortable listening level. The built in speakers are automatically disconnected when headphones are connected to the headphone jack.

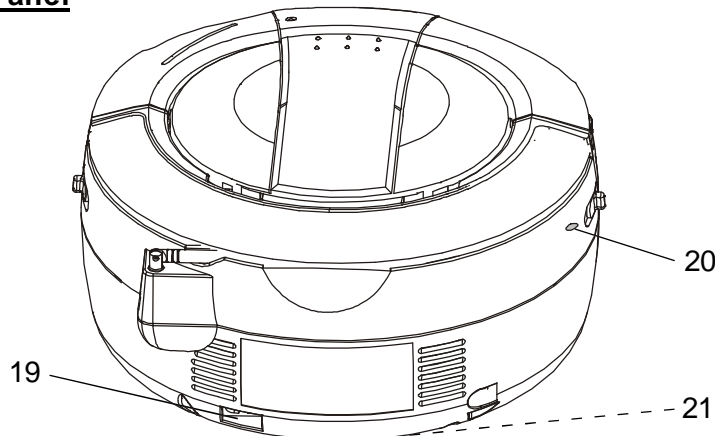



LOCATION OF CONTROLS AND INDICATORS

Front Panel



Back Panel



- | | |
|---|--|
| 1.) Speakers. | 12.) TUNING Control. |
| 2.) PROGRAM Button. | 13.) BAND Selector Switch.
(FM STEREO/FM/AM) |
| 3.) REPEAT Button. | 14.) ▶▶ PLAY/PAUSE Button. |
| 4.) ■ STOP Button. | 15.) ▶▶▶ FWD. Skip Button. |
| 5.) FUNCTION Selector Switch.
(CD/POWER OFF/RADIO) | 16.) ◀◀◀ REV. Skip Button. |
| 6.) VOLUME Control. | 17.) CD Display. |
| 7.) CD Door. | 18.) STEREO FM Indicator. |
| 8.) FM Telescopic Antenna. | 19.) AC Cord Socket. |
| 9.) Carrying Handle. | 20.) PHONES  Jack. |
| 10.) CD Door OPEN/CLOSE Position. | 21.) Battery Compartment.
(Bottom Cabinet) |
| 11.) Dial Scale. | |



OPERATING INSTRUCTIONS

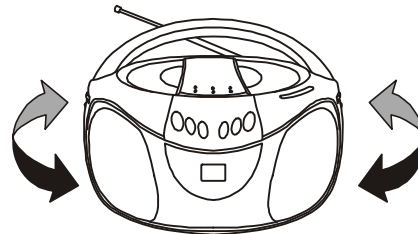
Listening To The Radio

- 1.) Slide the **FUNCTION** selector to **RADIO** position.
- 2.) Slide the **BAND** switch to select **FM STEREO**, **FM** or **AM**.
- 3.) Tune to your desired station with the **TUNING** control.
 - If you slide the **BAND** selector to **FM STEREO** and tune to a FM Stereo station, the **STEREO FM** indicator light will come 'On'.
 - If the reception is noisy or weak, slide the **BAND** selector to **FM** position. The **STEREO FM** indicator light will go 'Off'. The reception will normally improve although the sound will no longer be in stereo.
- 4.) Adjust the **VOLUME** control to the desired level.
- 5.) When you are finished listening slide the **FUNCTION** selector back to the **POWER OFF** position to shut the power 'Off' and extend the battery life.

Antenna Information

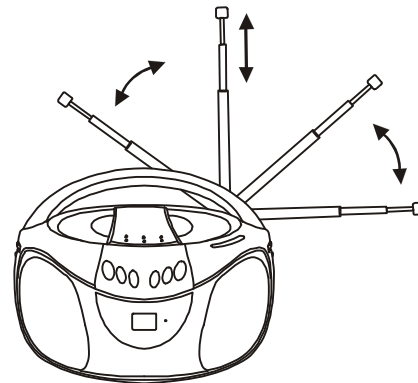
AM

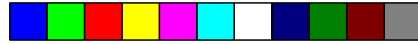
The AM antenna is inside the cabinet. If AM reception is unsatisfactory try rotating the entire unit until you find the position that provides the best reception.



FM

Extend and vary the direction of the FM antenna to find the position that provides the best reception.





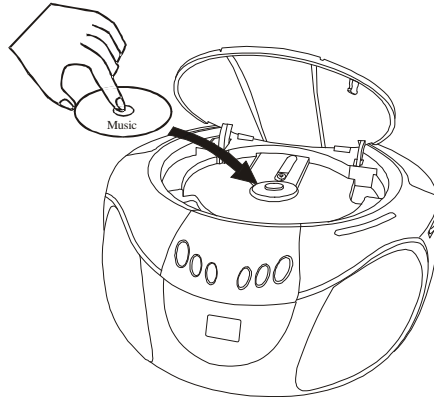
Playing Compact Discs

Note: Although this portable CD player can read CD-R and CD-RW discs, in addition to normal CDs, the playability of CD-R/RW discs may be affected by the type of software that was used to create the discs, as well as the quality and condition of the blank media you are using. 100% playability cannot be guaranteed. This is not an indication of a problem with the player.

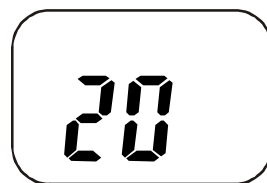
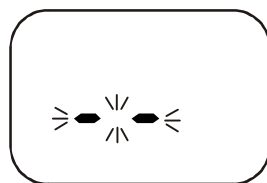
Normal Playback

- 1.) Slide the **FUNCTION** selector to the **CD** position.
- 2.) Open the CD door by pressing at CD door **OPEN/CLOSE** position. If you have not already removed the dummy CD transit card from the CD player, please remove it now.

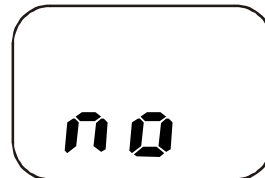
- 3.) Place your CD on the center spindle with the printed label side facing up. Press down near the center of the disc to make sure it is firmly 'seated' on the spindle, close the CD door.



The player will read the Table of Contents and the display will show the total number of tracks on the disc.



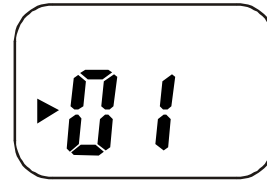
If the disc is damaged or up side down, display will show "no".





4.) Press the ►|| **PLAY/PAUSE** button to begin playback on Track “01”.

The ► Indicator appears in the display.



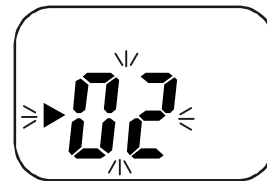
- To skip to higher or lower numbered tracks during playback press the ►► or ◀◀ button repeatedly until the desired track number appears in the display. Playback will begin on the selected track.

- To search rapidly forward or backward during playback to locate a specific portion of a track, depress and hold the ►► or ◀◀ button.

The player will search rapidly forward or backward as long as the buttons are depressed. Normal speed playback will resume when the buttons are released.

- To Pause momentarily during playback press the ►|| **PLAY/PAUSE** button again.

The sound stops and the display flashes, however the disc continues to spin.



To cancel Pause and resume normal playback press the ►|| **PLAY/PAUSE** button once more. Normal playback resumes and the Track Number stops flashing.

5.) Adjust the **VOLUME** control as desired.

6.) After the last track has played the disc stops automatically and the display again shows the total number of tracks on the disc.

To Stop playback at any time press the ■ **STOP** button.

7.) Open the CD door, remove your disc, and close the CD door again.

8.) Slide the **FUNCTION** selector to the **POWER OFF** position to shut the power 'Off'.



To Start Playback From A Specific Track

Insert your disc in the player, close the door, and wait until the display shows the total tracks.

Press either the **▶▶** or **◀◀** button until the desired track number appears in the display, then press the **▶||** **PLAY/PAUSE** button to begin playback on that track.

Repeat Playback

You can program the player to repeat either a single track or all tracks on the disc continuously. The Repeat feature can be activated while the disc is playing or while the disc is stopped.

One Track Repeat

Press the **REPEAT** button once.

The **REPEAT 1** indicator appears.



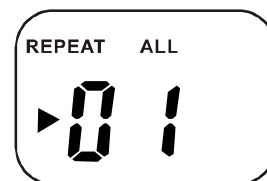
Select the track you wish to repeat with the **▶▶** or **◀◀** buttons and then press the **▶||** **PLAY/PAUSE** button. The selected track will be repeated continuously.

To cancel One Track Repeat press the **■ STOP** button once.

All Tracks Repeat

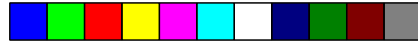
Press the **REPEAT** button twice.

The **REPEAT ALL** indicator appears.



Press the **▶||** **PLAY/PAUSE** button to begin playback. The entire disc will be repeated continuously.

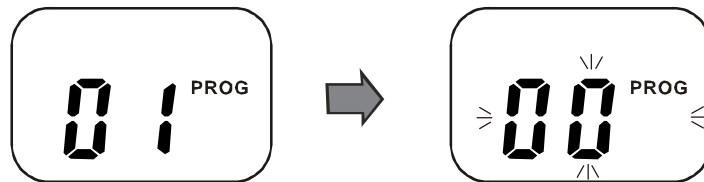
To cancel All Tracks Repeat press the **■ STOP** button once.



Programmed Playback

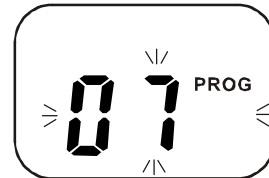
You can program up to **20** tracks on a disc to playback in any desired order. You may also program a specific track to play several times within the same program.

- 1.) Slide the **FUNCTION** selector to **CD**, insert your disc in the player, close the door, and wait until the total track number appears in the display.
- 2.) Press the **PROGRAM** button. The display briefly shows program memory "**01 PROG**" then program track "**00 PROG**" flashes indicating that you can select the first track to be programmed.

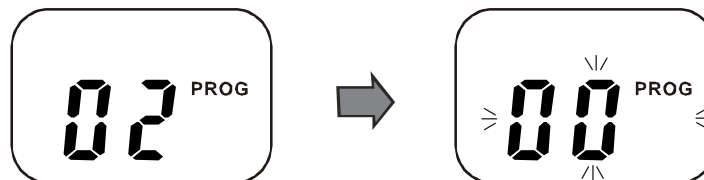


- 3.) Press the **▶▶** or **◀◀** buttons to select the first desired track.

Example: Track **07**.



- 4.) Press the **PROGRAM** button again. The selected track is entered in program memory 01 and the display advances to "**02 PROG**" then "**00 PROG**" flashes indicating that you can select the next track to be programmed.



- 5.) Repeat steps 3, 4 to program up to 20 tracks in the memory.



6.) To begin programmed playback press the ►|| **PLAY/PAUSE** button.

The LCD display will show the first programmed track and playback will begin on that track. The **PROG** indicator remains 'On'.



After the last programmed track has played, the player stops but the programmed tracks remain in the memory.

- To play the programmed tracks again, press the **PROGRAM** button and then the ►|| **PLAY/PAUSE** button.
- To cancel the programmed sequence from memory, open the CD door, or move the **FUNCTION** selector to the **POWER OFF** position.

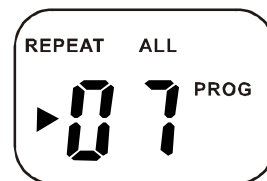
Program Repeat Playback

You can use the Program and Repeat features together to continuously repeat a programmed sequence of tracks.

First, program the desired tracks according to Steps 1 through 5 on page 13.

When Programmed Playback begins press the **REPEAT** button twice to activate the All Tracks Repeat feature.

The **REPEAT ALL** indicator appears in LCD display and all the tracks in your programmed sequence will be repeated continuously.



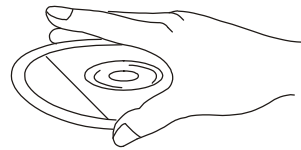
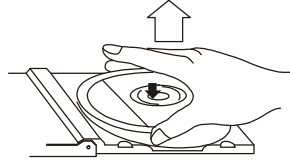
To cancel Programmed Repeat Playback press the ■ **STOP** button.



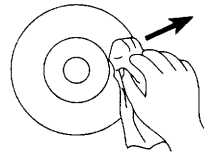
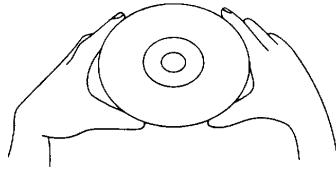
CARE AND MAINTENANCE

Compact Disc Care

- To remove a disc from its storage case, press down on the center of the case and lift the disc out, holding it carefully by the edges.



- Fingerprints and dust should be carefully wiped off the disc's recorded surface with a soft cloth. Unlike conventional records, compact discs have no grooves to collect dust and microscopic debris, so gently wiping with a soft cloth should remove most particles. Wipe in a straight line from the inside to the outside of the disc. Small dust particles and light stains will have absolutely no effect on reproduction quality.



- Clean the disc periodically with a soft, lint-free, dry cloth. Never use detergents or abrasive cleaners to clean the disc. If necessary, use a CD cleaning kit.
- Never write on or affix labels to the surface of compact discs.

Care Of The Cabinet

If the cabinet becomes dusty wipe it with a soft dry dust cloth. Do not use any wax, polish sprays, or abrasive cleaners on the cabinet.

Caution

Never allow any water or other liquids to get inside the unit while cleaning.



TROUBLESHOOTING GUIDE

Should this unit exhibit a problem, check the following before seeking service.

Symptom	Possible Cause	Solution
Radio		
Noise or sound distorted on AM or FM broadcasts.	Station not tuned properly for AM or FM.	Retune the AM or FM broadcast station.
	FM: Telescopic antenna is not extended.	Extend FM Telescopic antenna.
	AM: The bar antenna is not positioned correctly.	Reposition the unit until best reception is obtained.
AM or FM, no sound.	FUNCTION switch is not set to RADIO.	Set FUNCTION switch to RADIO position.
	Volume at minimum.	Increase Volume.
Compact Disc Player		
CD Player will not play.	FUNCTION switch is not set to CD.	Set FUNCTION switch to CD.
	CD is not installed or installed incorrectly.	Insert CD with label side up.
CD skips while playing.	Disc is dirty or scratched.	Wipe disc with cloth or use another disc.



TO FIND THE LOCATION AND PHONE NUMBER OF YOUR NEAREST SERVICE CENTER PERMITTED TO PERFORM WARRANTY...

CALL TOLL FREE: 1-800-695-0098

FOR ADDITIONAL SET-UP OR OPERATING ASSISTANCE
PLEASE CALL:
1-800-898-9020

FOR CUSTOMER SERVICE, PLEASE WRITE TO:
Emerson Radio Corp.,
Consumer Affairs Dept.,
5101 Statesman Drive,
Irving, TX 75063.



LIMITED WARRANTY

Emerson Radio Corp. warrants manufacturing defects in original material, including original parts and workmanship, under normal use and conditions, for a period of ninety (90) days from the date of original purchase in the U.S. With your dated proof of purchase, we will provide repair service at no charge for labor and parts at an authorized Depot Repair Facility, or replace the product in our discretion. For repair or replacement, pack your unit in a padded box, enclose your check or money order payable to Emerson Radio Corp. in the amount of \$9.00 (not required by California residents) to cover shipping and handling costs, and enclose a copy of your proof of purchase. Send your unit to:

Emerson Radio Corp.,
5101 Statesman Drive,
Irving, TX 75063.

This warranty does not cover damage from negligence, misuse, abuse, accident, failure to follow operating instructions, commercial use, rental, repairs by an unauthorized facility, or products purchased, used, serviced or damaged outside of the United States.

THIS WARRANTY GIVES YOU SPECIFIC LEGAL RIGHTS, AND YOU MAY ALSO HAVE OTHER RIGHTS WHICH VARY FROM STATE TO STATE.

AU898M

The Serial Number can be found on the back cabinet. We suggest that you record the Serial Number of your unit in the space below for future reference.

Model No: PD5203

Serial No: _____



EMERSON
Part No. 16-2985C
607-01

Printed in China



PD5203_C071106.p65

18



11/7/2006, 11:15

