

User Manual



ENH900EXT
version 1.0

Dual Band Long Range Wireless N900 Outdoor Access Point

IMPORTANT

To install this Access Point please refer to the **Quick Installation Guide** included in the product packaging.

Table of Contents

Chapter 1 Product Overview.....	4	2.4GHz/5 GHz SSID Profile.....	42
Key Features/Introduction.....	5	Wireless Security.....	43
System Requirements.....	6	Wireless MAC Filtering.....	44
Package Contents.....	7	Wireless Advanced.....	45
Technical Specifications.....	8	WPS Mixed-Enterprise: AP/WDS AP Mode.....	46
Physical Interface.....	10	Fast Roaming.....	47
Chapter 2 Before You Begin.....	11	WDS Link Settings.....	48
Computer Settings.....	12	2.4GHz Mesh Link Settings.....	49
Hardware Installation.....	15	Guest Network Settings.....	50
Mounting the ENH900EXT.....	16	Chapter 8 Management	51
Chapter 3 Configuring Your Access Point.....	19	Management VLAN Settings.....	52
Default Settings./Web Configuration.....	20	Wi-Fi Multi Media.....	53
Chapter 4 Building a Wireless Network.....	21	Advanced Settings.....	54
Access Point Mode.....	22	CLI Settings/Email Alert.....	55
WDS AP Mode.....	24	Time Zone.....	57
WDS Bridge Mode.....	25	Auto Reboot Settings.....	58
WDS Station Mode.....	26	Wi-Fi Scheduler.....	59
AP Mesh Mode.....	27	Tools.....	60
Mesh Only Mode.....	28	Account/Firmware.....	62
Chapter 5 Status.....	29	Backup/Restore	63
Main Status.....	30	Log.....	65
Connection.....	33	Logout/Reset.....	66
Chapter 6 Network	35	Appendix.....	67
Basic IP Settings.....	36	FCC Interference Statement.....	68
Spanning Tree Protocol Setting.....	37	CE Interference Statement.....	69
Chapter 7 2.4 GHz/5 GHz Wireless.....	38	IC Interference Statement.....	72
WirelessSettings.....	39	Professional Installation Instruction	73
2.4 GHz/5 GHz Wireless Network.....	40	Detachable Antenna Usage	75

Chapter 1

Product Overview



Introduction

Key Features

- Up to 29 dBm transmit power enabling long range connectivity
- Supports IEEE802.11a/b/g/n wireless standards with up to 450 Mbps data rate on each band.
- Three detachable 5 dBi 2.4 GHz Omni-directional antennas
- Three detachable 7 dBi 5 GHz Omni-directional antennas
- Mesh Supported
- Can be used with included power adapter or via PoE with PoE 802.3at - capable switches or injectors
- Dual Band/Three Stream
- Band Steering shifts dual band clients to 5 GHz for better throughput performance
- Secured Guest Network option available

Introduction

The ENH900EXT is a high-powered, long-range 3x3 Dual-Band Wireless 802.11a/b/g/n Outdoor Access Point with speeds up to 450 Mbps on both its high-powered 2.4 GHz and 5 GHz radios. It can be configured as an: Access Point, or WDS (AP, Station & Bridge). The ENH900EXT is designed to operate in a variety of outdoor environments. Its high-powered, long-range characteristics make it a cost-effective alternative to ordinary Access Points that don't have the range and reach to connect to a growing number



of wireless users who wish to connect to a business network. The ENH900EXT supports the 2.4 GHz frequency band under 802.11 b/g/n mode while at the same time providing the 5 GHz band for communicating to and from other 5 GHz capable computers, tablets or smart phones or transferring files. Several ENH900EXTs can be deployed

Maximum data rates are based on IEEE 802.11 standards. Actual throughput and range may vary depending on many factors including environmental conditions, distance between devices, radio interference in the operating environment, and mix of devices in the network. Features and specifications subject to change without notice. Trademarks and registered trademarks are the property of their respective owners. For United States of America: Copyright © 2014 EnGenius Technologies, Inc. All rights reserved.

in a campus setting using the 5 GHz band as a backhaul to provide multiple 2.4 GHz wireless cells for computers or mobile devices in common outdoor areas.

The ENH900EXT is easy to install in virtually any location with its included PoE (Power over Ethernet) injector for quick outdoor installation. The ENH900EXT enables network administrators to control its transmit power and features settings for selecting narrow bandwidth and traffic shaping. The ENH900EXT also supports wireless encryption including Wi-Fi Protected Access (WPA-PSK/WPA2-PSK) Encryption and IEEE 802.1X with RADIUS.

System Requirements

The following are the Minimum System Requirements in order to configure the device.

- Computer with an Ethernet interface or wireless network capability
- Windows OS (XP, Vista, 7, 8), Mac OS, or Linux-based operating systems
- Web-Browsing Application (i.e.: Internet Explorer, Firefox, Safari, or another similar browser application)

Package Contents

The ENH900EXT package contains the following items:*

- ENH900EXT Access Point
- 3 detachable 5 dBi 2.4 GHz Omni-directional Antenna
- 3 detachable 7 dBi 5 GHz Omni-directional Antenna
- Power Adapter (48V/0.8A)
- PoE Injector (EPE-48GR)
- Grounding Cable
- Pole Mount Bracket
- Wall Mount Base
- Mounting Screw Set
- Quick Installation Guide

*(all items must be in package to issue a refund):

Technical Specifications

Standard:

IEEE802.11a/n on 5 GHz
IEEE802.11b/g/n on 2.4 GHz
IEEE802.3at

Antenna

6 External N-type Antenna
 3 x detachable 5 dBi 2.4 GHz Omni-directional Antennas
 3 x detachable 7 dBi 5 GHz Omni-directional Antennas

Physical Interface

2 x 10/100/1000 Gigabit Ethernet Port with PoE support
 LAN1 Port: IEEE802.3at PoE Input
 LAN2 Port: IEEE802.3af PoE Output
 Both Ethernet Ports support Surge Protection to 6KV

LED Indicator

Power
LAN 1
LAN 2
2.4 GHz
5 GHz

Power Requirements

External Power Adapter, DC IN, 48V/0.8A
IEEE802.3at support

Operation Modes

Access Point
WDS
Mesh

WDS Detail

WDS AP
WDS Bridge
WDS Station

Mesh Detail

Mesh AP
Mesh Only

Management

Auto Channel Selection
Multiple SSID: 16 SSIDs, 8 SSIDs per Radio
BSSID
SNMP V1/V2c/V3
MIB I/II, Private MIB
VLAN Tag/VLAN Pass-through
Clients Statistics
Save Configuration as User Default
Fast Roaming
E-Mail Alert
RADIUS Accounting
Guest Network

Control

CLI Supported
Distance Control (Ack Timeout)
802.1X Supplicant (CB Mode)
Multicast Supported
Auto Reboot
Obey Regulatory Power

Security

WEP Encryption - 64/128/152 bit

WPA/WPA2 Personal (WPA-PSK using TKIP or AES)

WPA/WPA2 Enterprise (WPA-PSK using TKIP or AES)

Hides SSID in beacons

MAC address filtering, up to 32 MACs per SSID

Wireless STA (Client) connection list

Https Support

SSH Support

QoS (Quality of Service)

Complaint with IEEE 802.11e standard

Physical/Environment Conditions

Operating:

Temperature: -4 °F to 158 °F (-20 °C to 70 °C)

Humidity (non-condensing): 90% or less

Storage:

Temperature: -22 °F to 176 °F (-30 °C to 80 °C)

Humidity (non-condensing): 90% or less

RF Specification (Aggregated Value)

Channel	Data Rate	Tx Power	Rx Sensitivity
802.11b 2.4GHz	1Mbps	29	-96
	2Mbps	29	-95
	5.5Mbps	29	-93
	11Mbps	29	-92
802.11g 2.4GHz	6Mbps	28	-94
	54Mbps	25	-75
802.11a 5GHz	6Mbps	29	-94
	54Mbps	24	-75
802.11n HT20 2.4GHzx	MCS0/ 8 / 16	29	-95
	MCS7 / 15 / 23	24	-70
802.11n HT40 2.4GHz	MCS0/ 8 / 16	22	-94
	MCS7 / 15 / 23	22	-69
802.11n HT20 5GHz	MCS0/ 8 / 16	27	-95
	MCS7 / 15 / 23	23	-70
802.11n HT40 5GHz	MCS0/ 8 / 16	27	-94
	MCS7 / 15 / 23	23	-69
802.11acHT20 5GHz	MCS0	-	-
	MCS8	-	-
802.11acHT40 5GHz	MCS0	-	-
	MCS9	-	-
802.11acHT80 5GHz	MCS0	-	-
	MCS9	-	-

Physical Interface

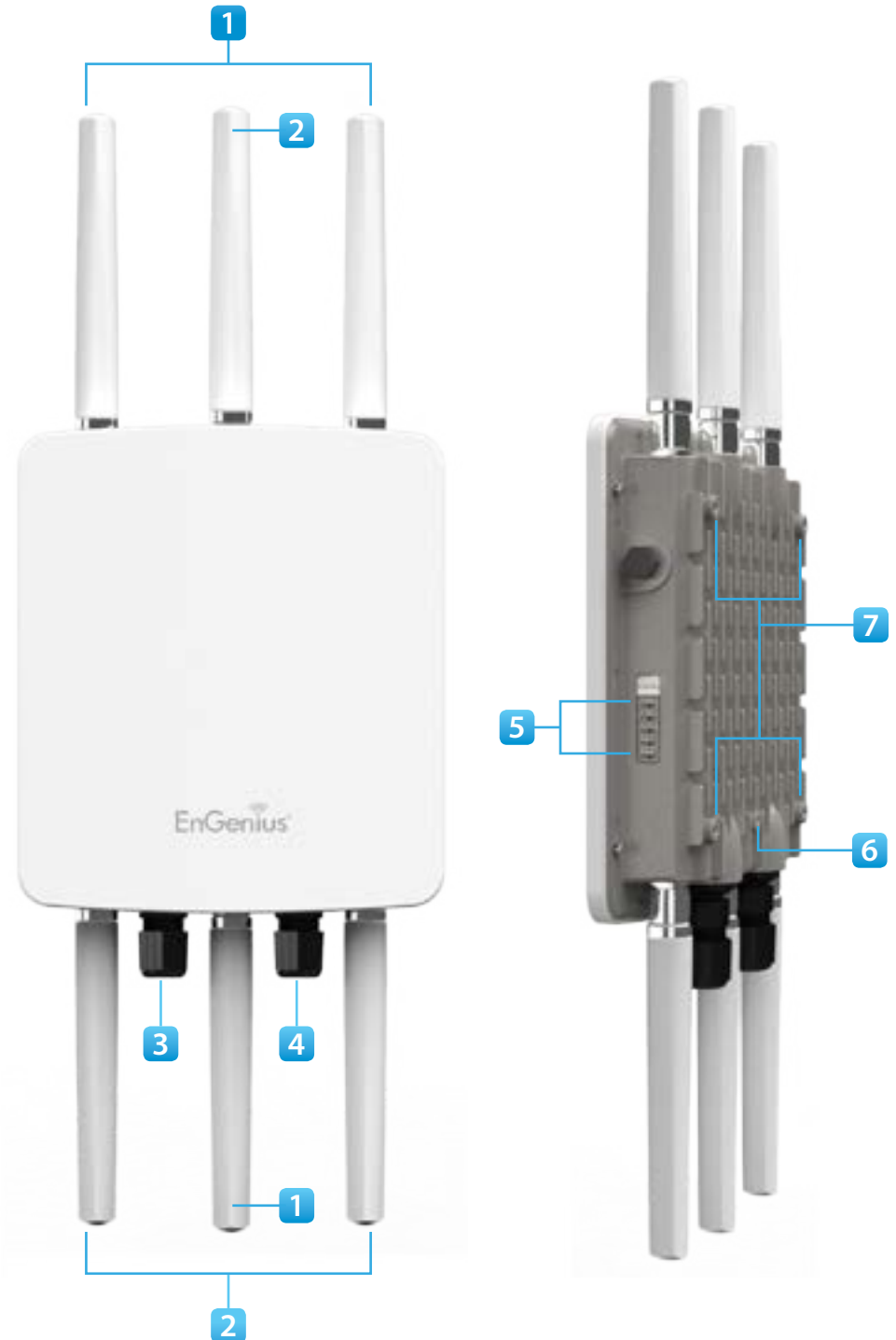
Dimensions and Weights

Length: 280.48mm (11.22")

Width: 217.65mm (8.58")

Depth: 55.50mm (2.1")

Weight: 1.88Kg (4.17 lbs)



- 1 **2.4 GHz Antennas:** Detachable 5 dBi 2.4 GHz Omni-directional
- 2 **5 GHz Antennas** Detachable 7 dBi 5 GHz Omni-directional
- 3 **LAN Port 1 (802.3at PoE Input):** Ethernet port for RJ-45 cable.
- 4 **LAN Port 2 (802.3af PSE Output):** Ethernet port for RJ-45 cable.
- 5 **LED Indicators:** LED lights for Power, LAN Port 1, LAN Port 2, 2.4 GHz Connection and 5 GHz Connection.
- 6 **Ground**
- 7 **Mounting Holes:** Using the provided hardware, the ENH900EXT can be attached to a wall or pole.

Chapter 2

Before You Begin



Computer Settings

Windows XP/Windows 7/Windows 8

In order to use the ENH900EXT, you must first configure the TCP/IPv4 connection of your Windows OS computer system.

1a. Click the **Start** button and open the **Control Panel**



Windows XP



Windows 7

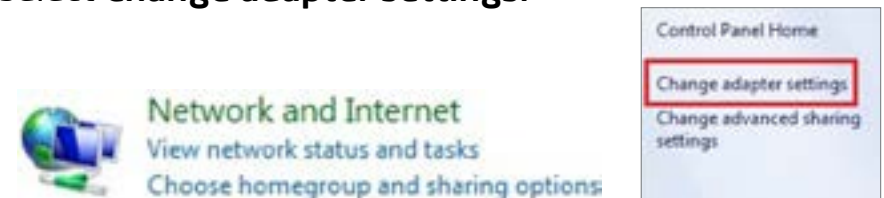
1b. Move your mouse to the lower right hot corner to display the Charms Bar and select the **Control Panel** in Windows 8 OS.



a. In **Windows XP**, click **Network Connections**.



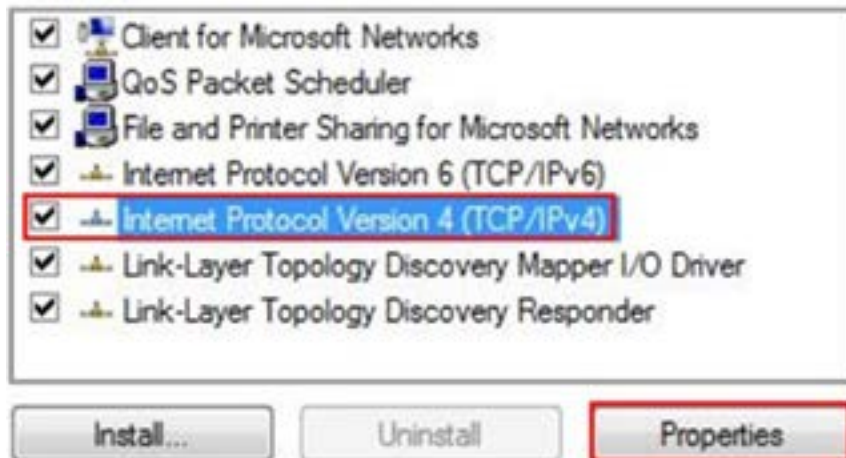
2b. In **Windows 7/Windows 8**, click **View Network Status and Tasks** in the **Network and Internet** section, then select **Change adapter settings**.



3. Rightclick on **Local Area Connection** and select **Properties**.



4. Select **Internet Protocol Version 4 (TCP/IPv4)** and then select **Properties**.



5. Select **Use the following IP address** and enter an IP address that is different from the ENH220EXT and Subnet mask, then click **OK**.

Note: Ensure that the IP address and Subnet mask are on the same subnet as the device.

For example: ENH220EXT IP address: 192.168.1.1

PC IP address: 192.168.1.2 - 192.168.1.255

PC Subnet mask: 255.255.255.0



Apple Mac OS X

1. Go to **System Preferences** (Which can be opened in the Applications folder or selecting it in the Apple Menu).
2. Select **Network** in the **Internet & Network** section.



3. Highlight **Ethernet**.

4. In **Configure IPv4**, select **Manually**.
5. Enter an IP address that is different from the ENH900EXT and Subnet mask then press **OK**.

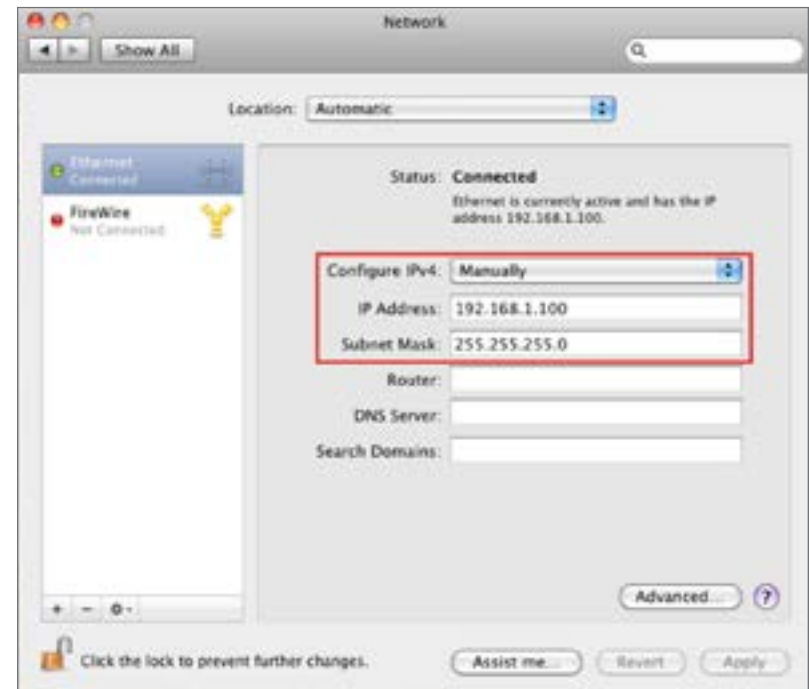
Note: Ensure that the IP address and Subnet mask are on the same subnet as the device.

For example: ENH900EXT IP address: 192.168.1.1

PC IP address: 192.168.1.2 - 192.168.1.255

PC Subnet mask: 255.255.255.0

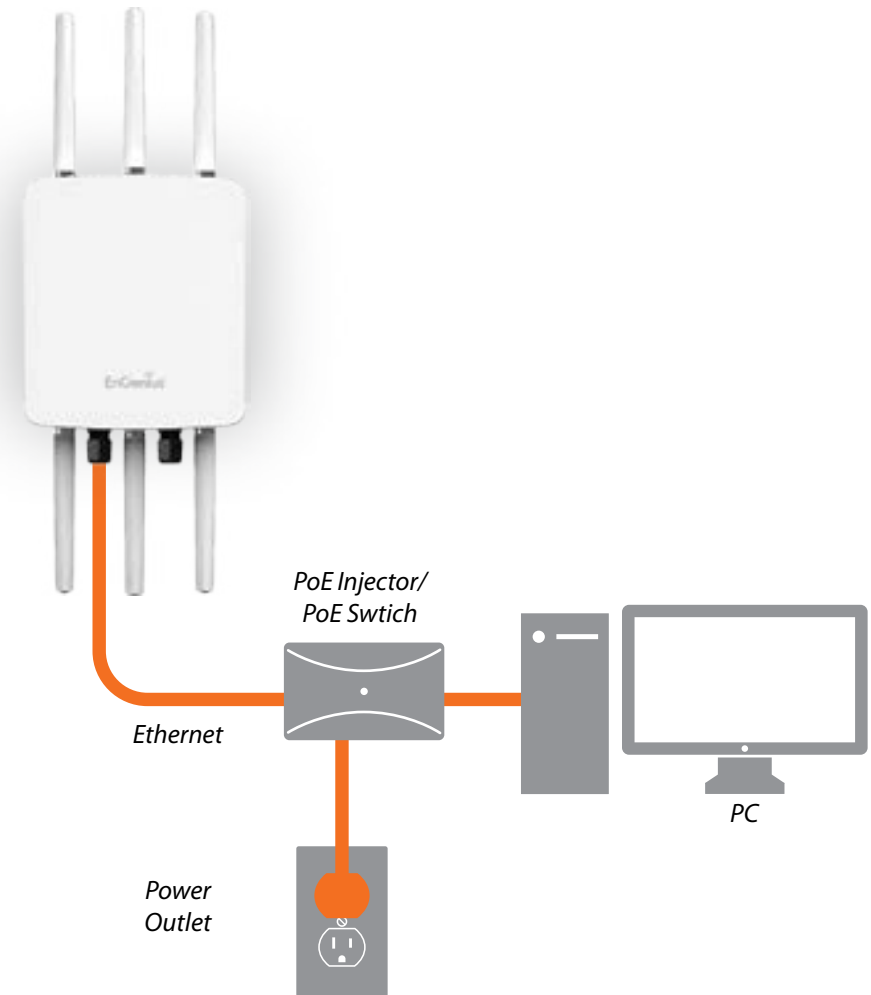
6. Click **Apply** when done.



Hardware Installation

1. Connect one end of the Ethernet cable into the main LAN port (PoE) of the Access Point and the other end to the AP Ethernet port on the PoE injector.
2. Connect the **Power Adapter** to the **DC-IN** port of the PoE injector and plug the other end in to an electrical outlet.
3. Connect the second Ethernet cable into the **LAN port** of the PoE injector and the other end to the Ethernet port on the computer.
4. Screw on the provided antennas to the device. Once both connections are secure, verify the following:
 - a) Ensure that the **POWER** light is on (it will be green).
 - b) Ensure that the 2.4 GHz/5 GHz WLAN light is on (it will be green for both 5 GHz and 2.4 GHz).
 - c) Ensure that the LAN (Computer/ENH900EXT Connection) light is on (it will be green).
 - d) Once all three lights are on, proceed to set up the Access Point using the computer.

This diagram depicts the hardware configuration.

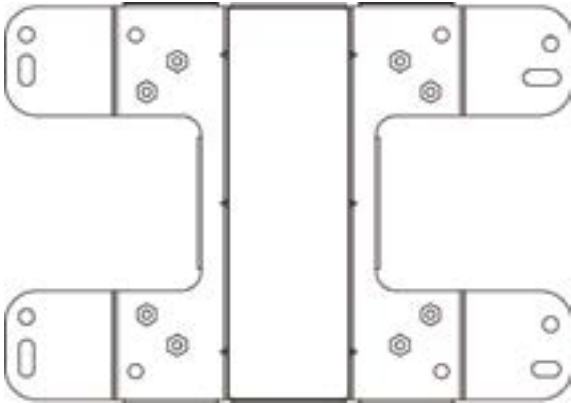


Note: The Access Point supports both IEEE 802.3at PoE (Power over Ethernet) or the included power injector. You may use either one as the power source. **Do NOT use both at the same time.**

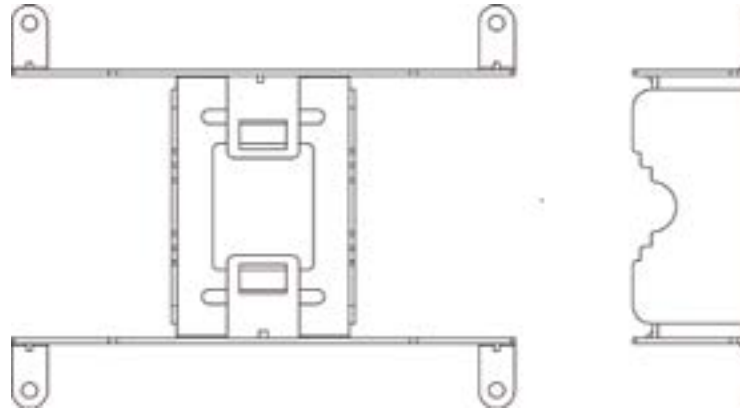
Mounting the ENH900EXT

Using the provided hardware, the ENH900EXT can be attached to a wall or a pole.

1. Wall Mount Kit: 260x180x7 (mm)
(10.2" x 7.09" x 0.28")



2. Pole Mount Kit 140x112x33 (mm)
(5.51" x 4.41" x 1.30")



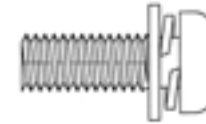
3. Pipe 63.5 (D) x 12.7 (mm)
(2.5"(D) x 0.5")



4. Tool 20(D) x 6 (mm)
(0.79"(D) x 0.24")



5. Screws: 6.5(D) x 9.95 (mm)
(0.26"(D) x 0.39")



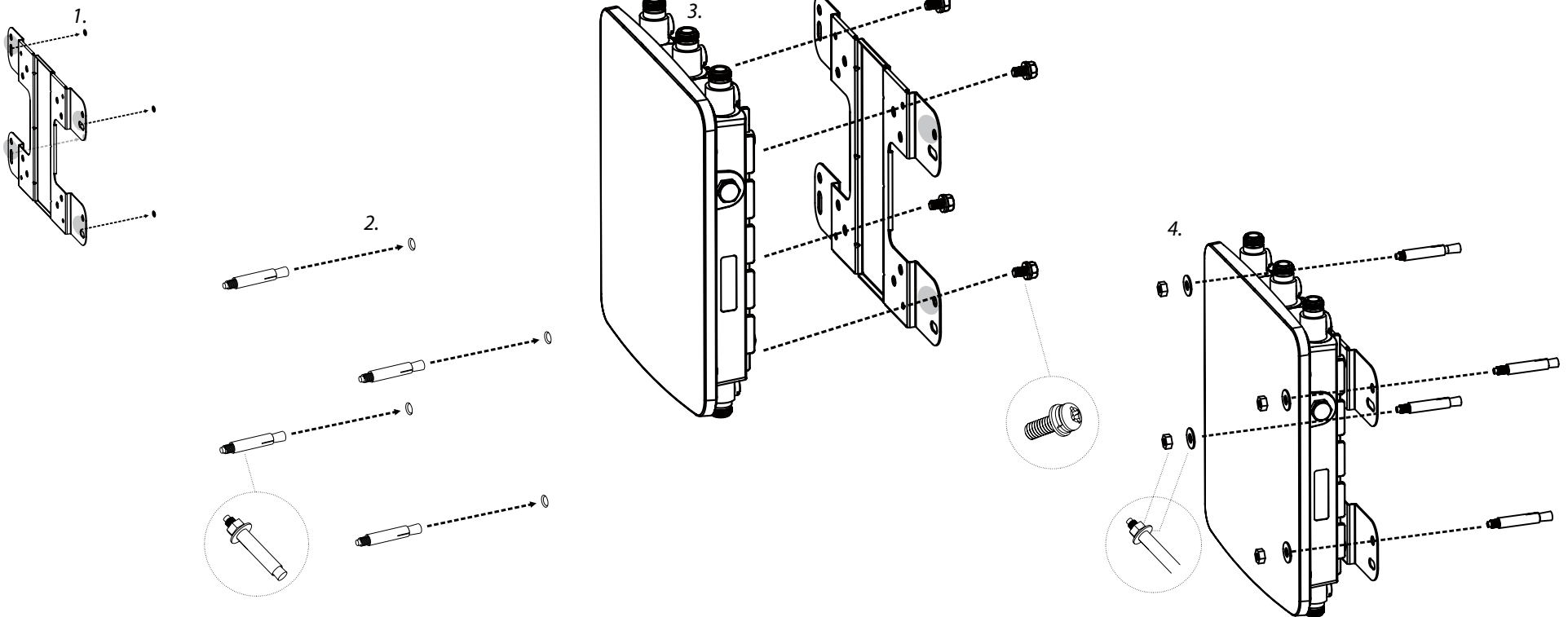
Mounting the ENH900EXT

Using the provided hardware, the ENH900EXT can be attached to a wall or a pole.

To attach the ENH900EXT to a wall using wall mounting kit.

1. Mark the four locations of the mounting holes on the flat mounting surface.
2. Drill a 37 mm deep 8 mm hole in the markings and hammer the bolts into the openings.

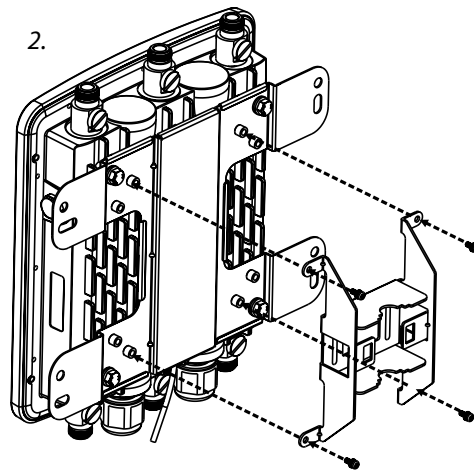
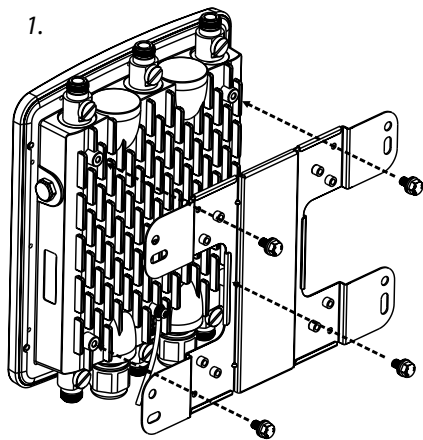
3. Place the lock and flat washers on the four hex cap screws and drive the screws to attach the bracket to the back of the Access Point.
4. Tighten the flat washers to secure the bracket to the mounting surface.



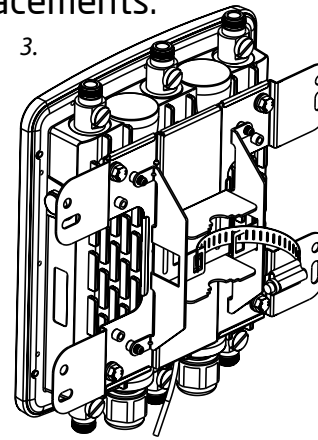
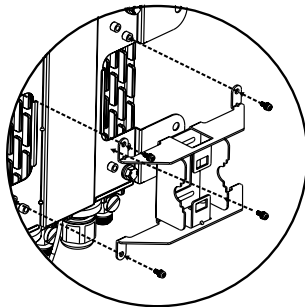
To attach the ENH900EXT to a pole using the provided pole mounting kit:

1. Place the lock and flat washers on the four hex cap screws and drive the screws to attach the bracket to the back of the Access Point.
2. Drive the four round head screws to attach the Pole Mount Bracket to the bracket.
3. Thread the open end of the Pole Strap through the two tabs on the Pole Mount Bracket.
4. Lock and tighten the Pole Strap to secure the Pole Mount Bracket to the pole.

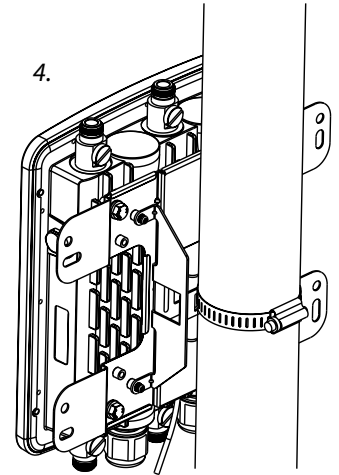
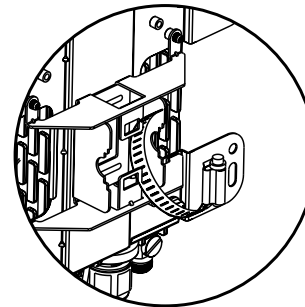
Note: See diagram below for vertical and horizontal placements.



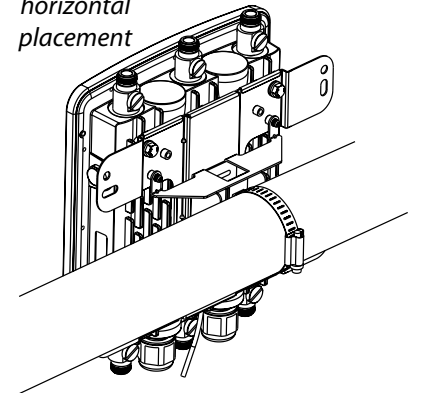
horizontal placement



horizontal placement



horizontal placement



Chapter 3

Configuring Your Access Point



Configuring Your Access Point

This section will show you how to configure the device using the web-based configuration interface.

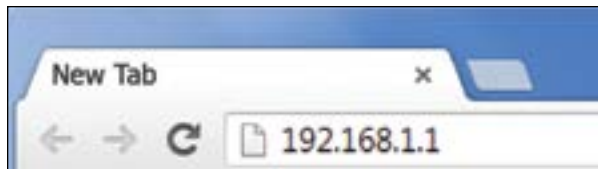
Default Settings

Please use your Ethernet port or wireless network adapter to connect the Access Point.

IP Address	192.168.1.1
Username / Password	admin / admin

Web Configuration

1. Open a web browser (Internet Explorer/Firefox/Safari/Chrome) and enter the IP Address **http://192.168.1.1**



Note: If you have changed the default LAN IP Address of the Access Point, ensure you enter the correct IP Address.

2. The default username and password are **admin**. Once you have entered the correct username and password, click the **Login** button to open the web-based configuration page.



3. If successful, you will be logged in and see the ENH900EXT User Interface.



Chapter 4

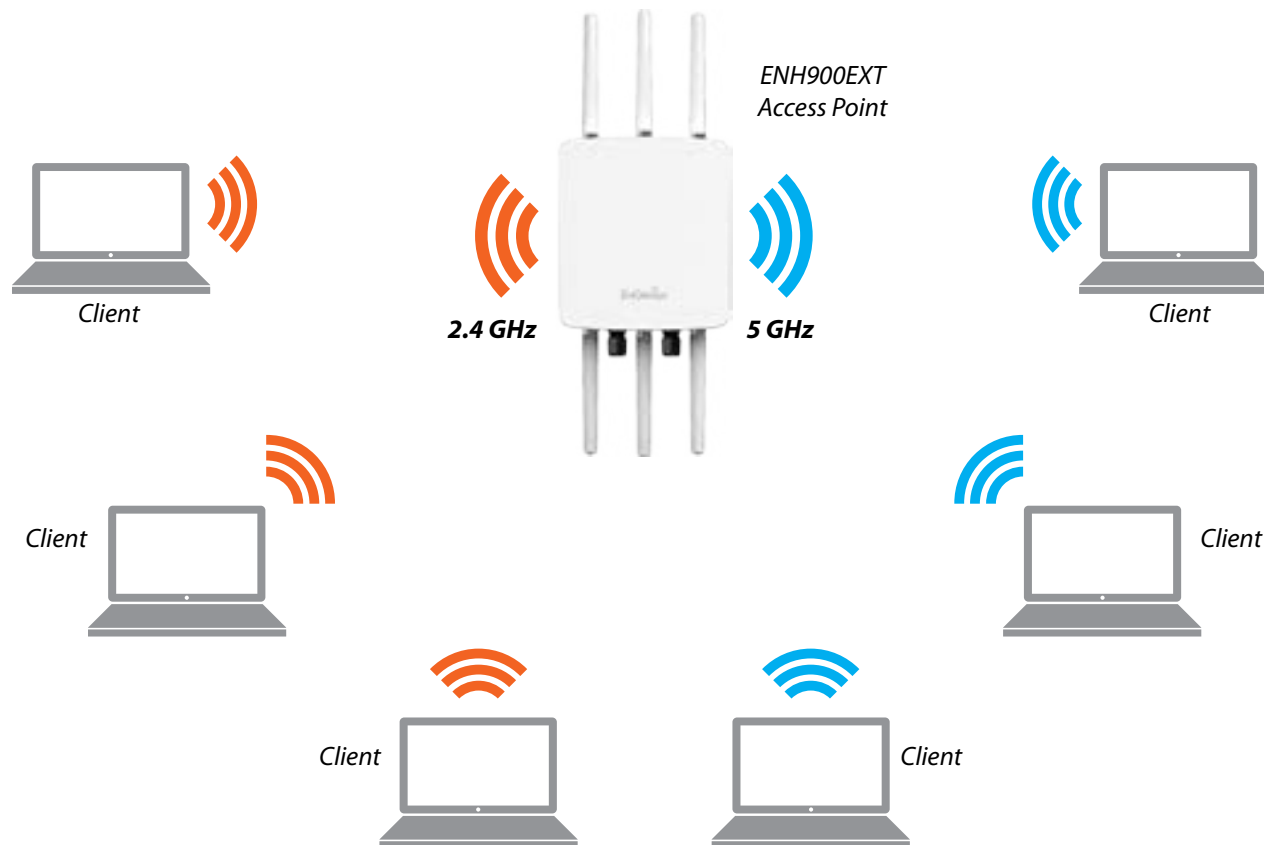
Building a Wireless Network



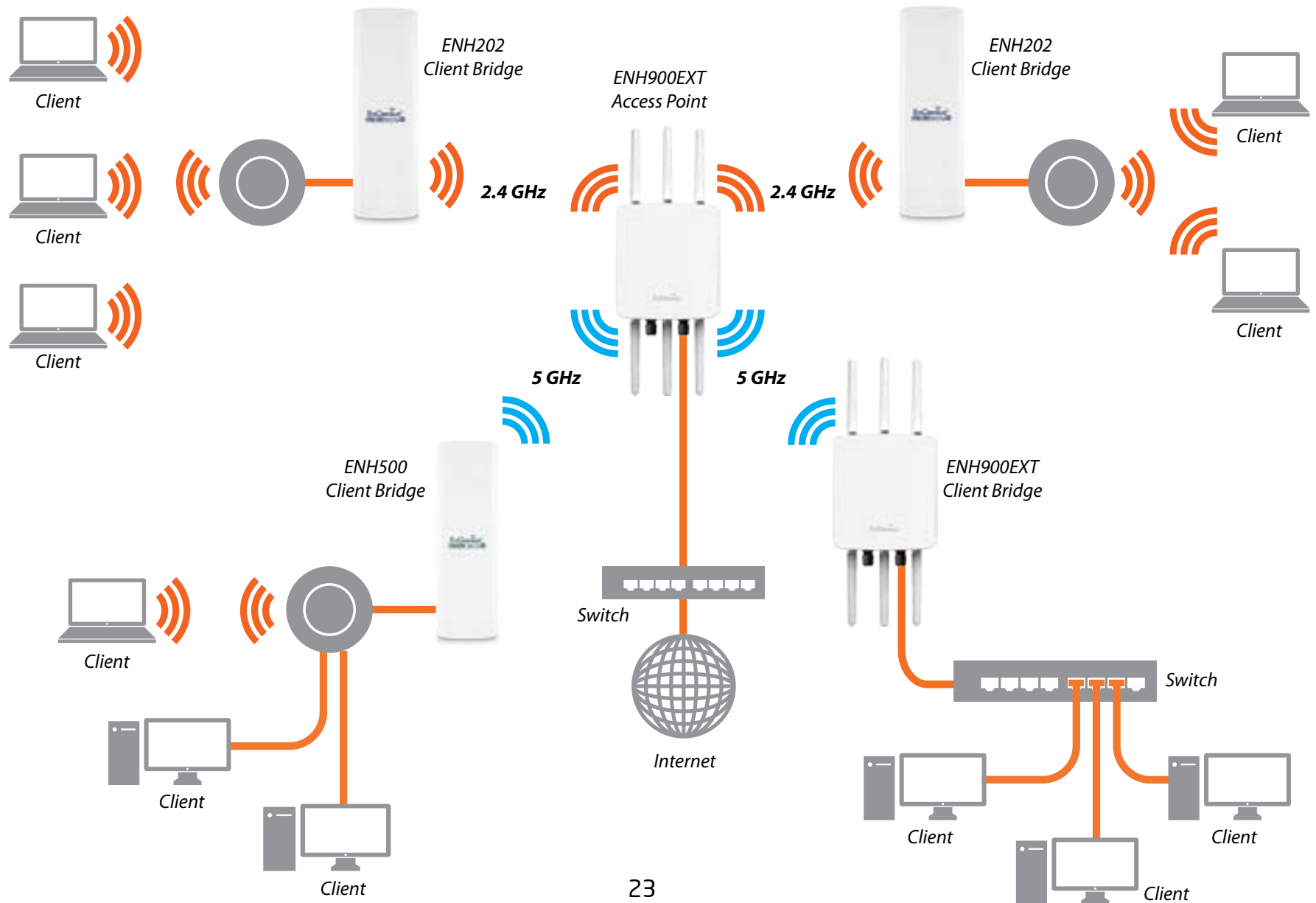
The ENH900EXT has the ability to operate in various modes. This chapter describes the operating modes of the ENH900EXT.

Access Point Mode

In Access Point Mode, ENH900EXT behaves like a central connection for stations or clients that support IEEE 802.11 a/b/g/n networks. The stations and clients must be configured to use the same SSID (Service Set Identifier) and security password to associate with the ENH900EXT. The ENH900EXT supports up to eight SSIDs per band at the same time for secure access.

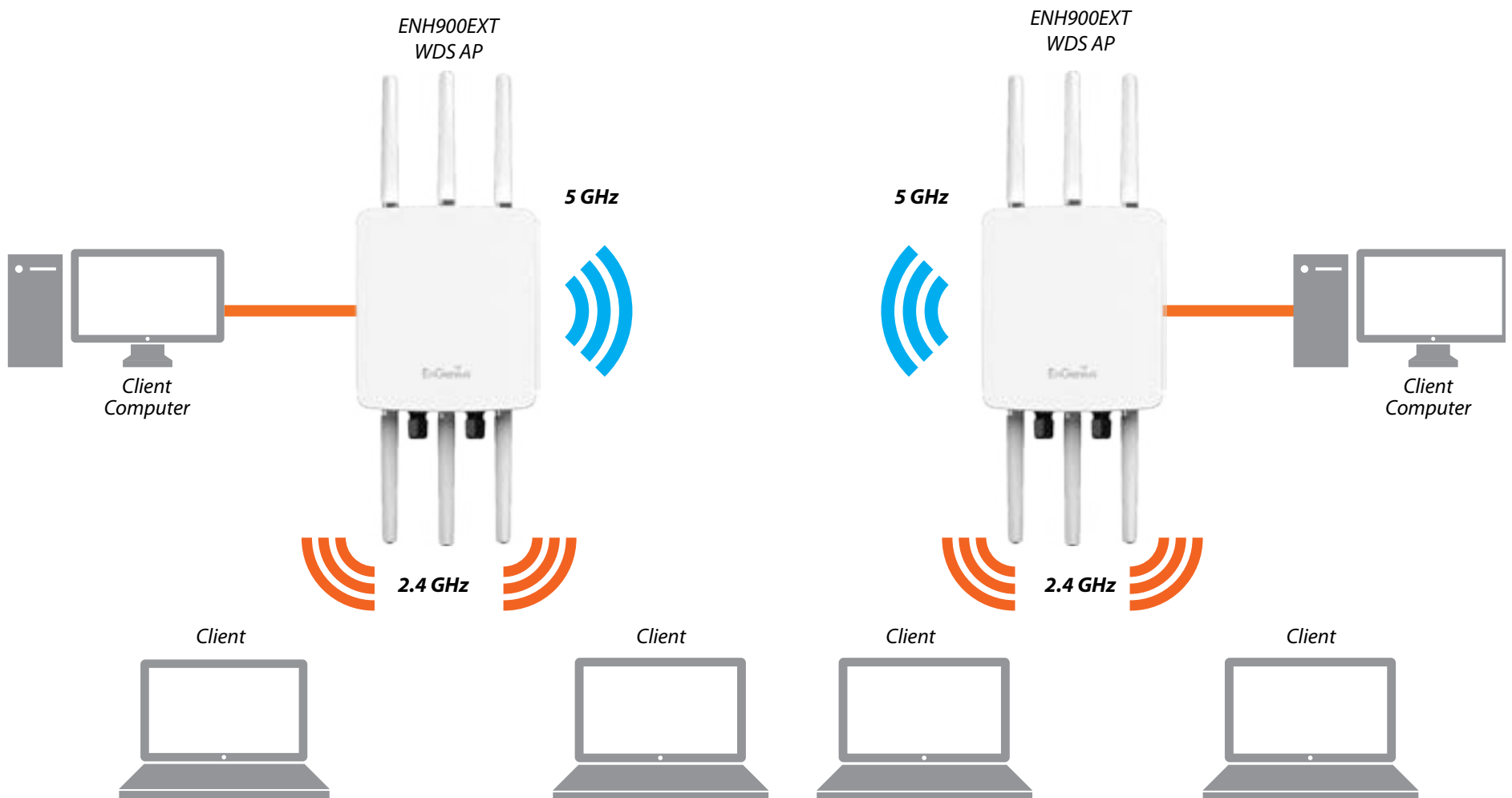


The ENH900EXT can be used as a centralized Outdoor Access Point with which other EnGenius Wireless N 2.4 or 5 GHz Outdoor Client Bridges can associate; leveraging the long-range capability of their internal high-gain directional antennas, resulting in a very cost-effective solution to expand a company network over a multiple building campus.



WDS AP Mode

The ENH900EXT also supports WDS AP mode. This operating mode allows wireless connections to the ENH900EXT using WDS technology. In this mode, configure the MAC addresses in both Access Points to enlarge the wireless area by enabling WDS Link settings. WDS supports up to four (4) AP MAC addresses.

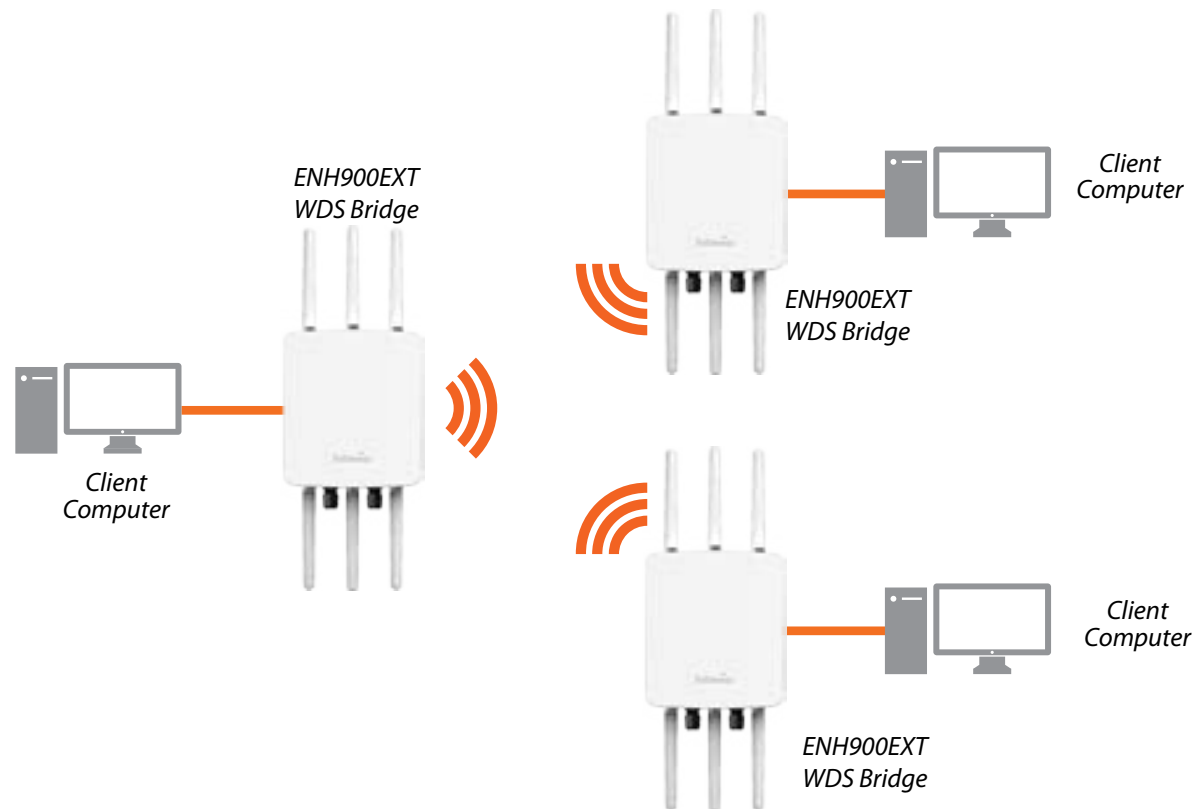


WDS Bridge Mode

In WDS Bridge Mode, the ENH900EXT can wirelessly connect different LANs by configuring the MAC address and security settings of each ENH900EXT device. Use this mode when two wired LANs located a small distance apart want to communicate with each other. The best solution is to use the ENH900EXT to wirelessly connect two wired LANs, as shown in the following diagram.

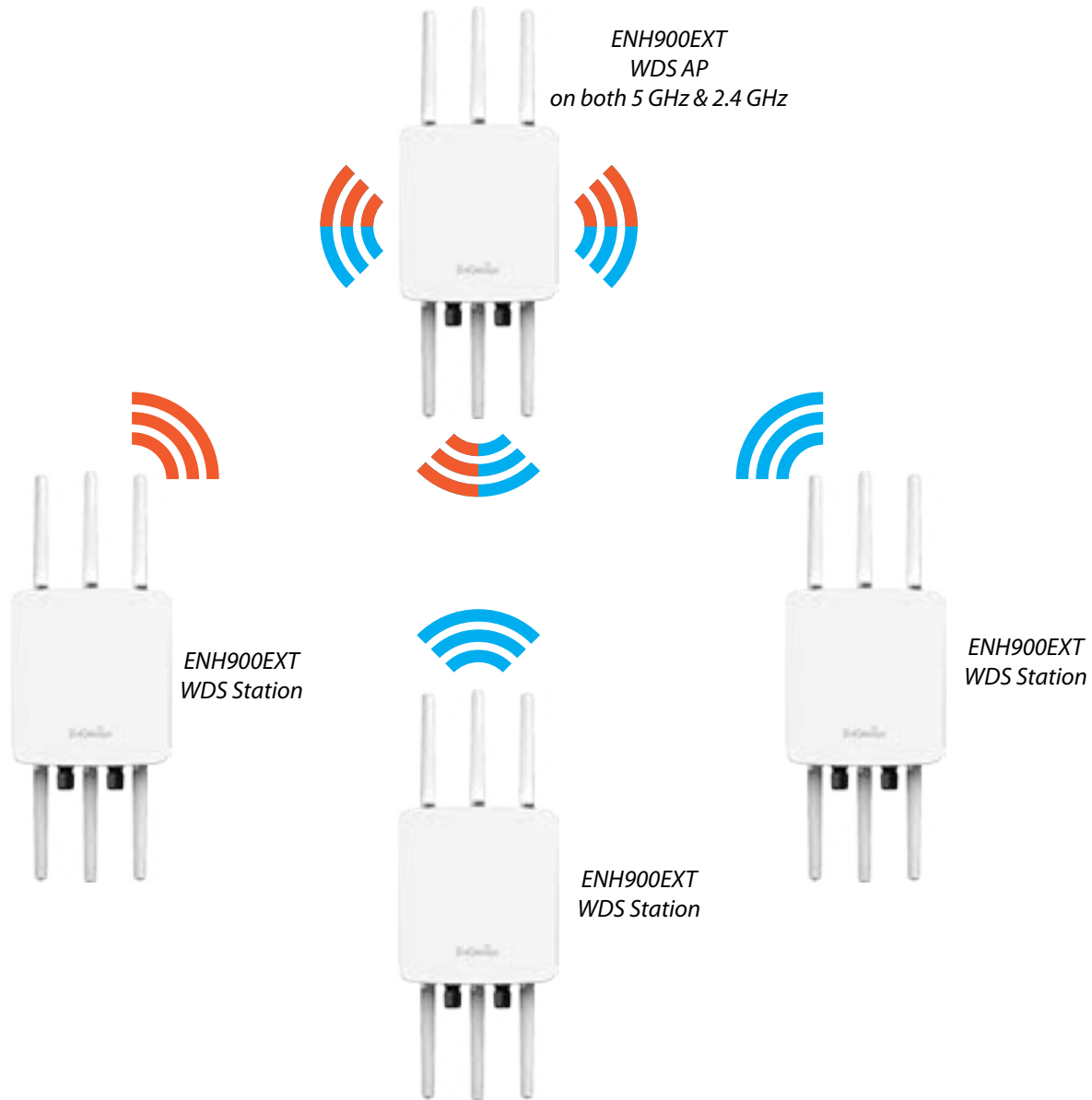
WDS Bridge Mode can establish up to four WDS links, creating a star-like network.

Note: WDS Bridge Mode does not act as an Access Point. Access Points linked by WDS are using the same frequency channel. More Access Points connected together may lower throughput. This configuration can be susceptible to generate endless network loops in your network, so it is recommended to enable the Spanning Tree function to prevent this from happening.



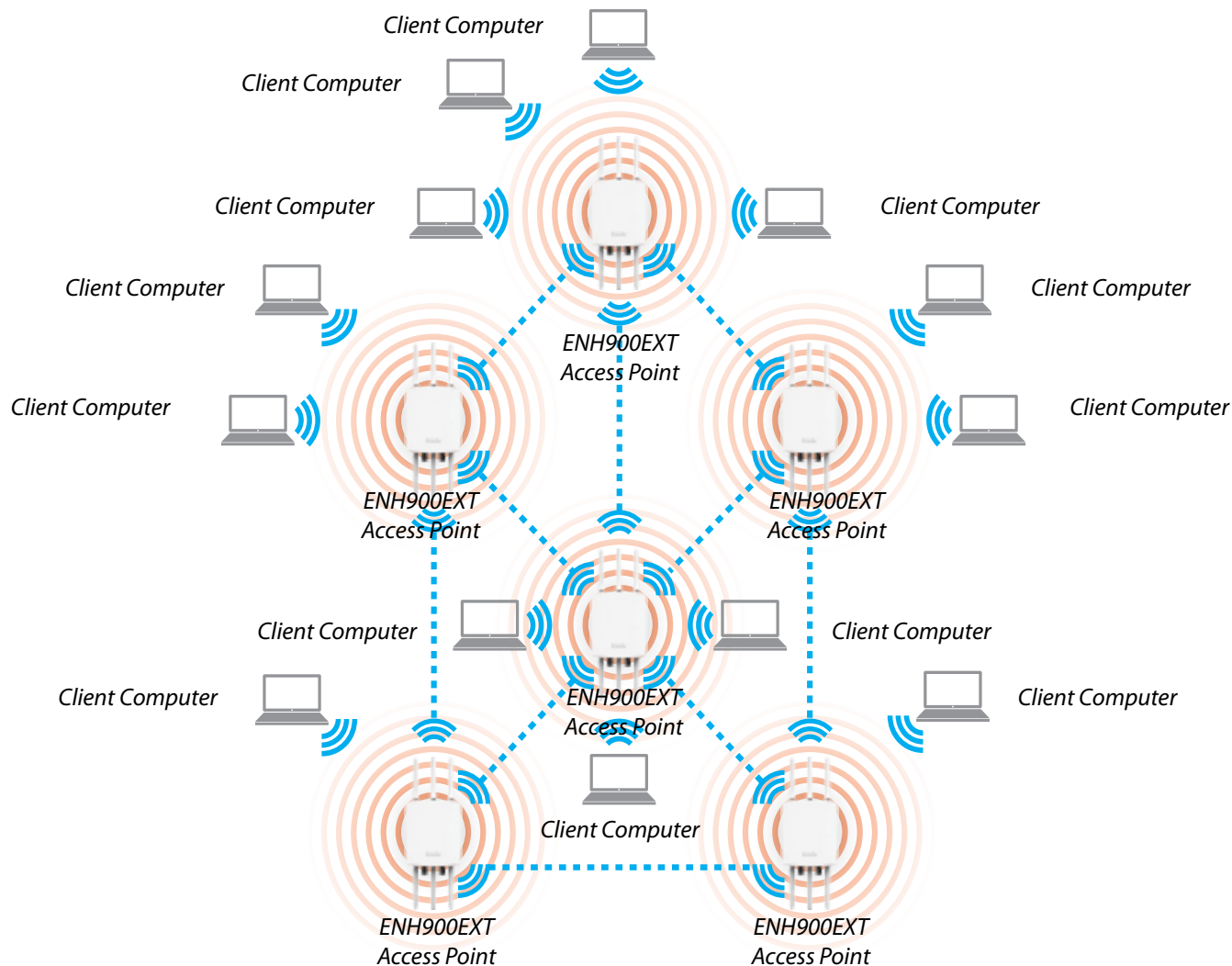
WDS Station Mode

Station mode expands the WDS by receiving a wireless signal/service and sharing it through the Ethernet port.



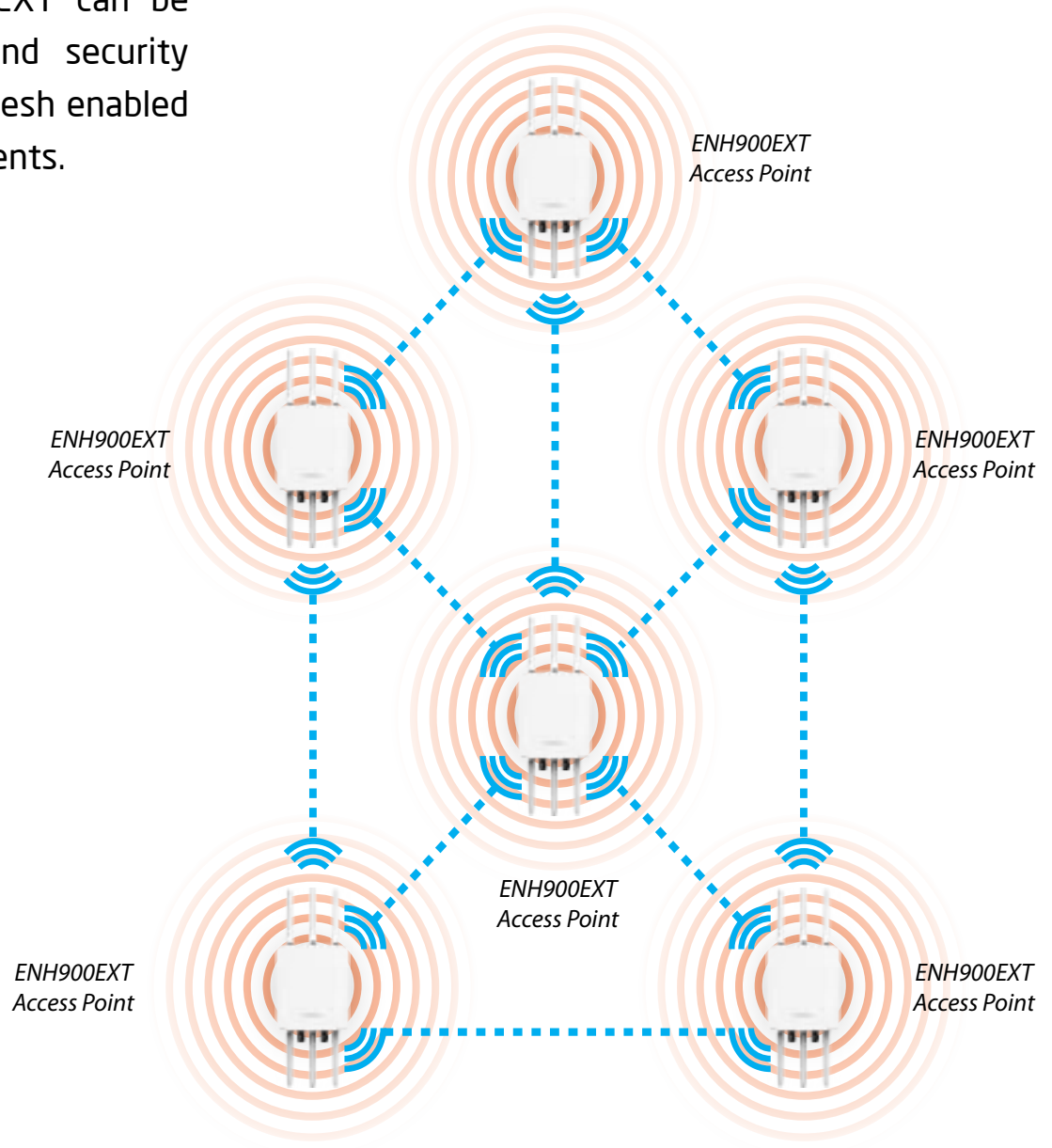
AP Mesh Mode

Under the AP Mesh mode, the ENH900EXT can be used as the central connection hub for station or clients that support IEEE 802.11 b/g/n network. Under this mode, the ENH900EXT can be configured with the same Mesh SSID and security password in order to associate with other ENH900EXTs, as well as connect with clients under the same SSID and encryption signatures. For example, you would use one band to connect Access Points in range with Mesh mode and the other band to broadcast traffic on the network.



Mesh Only Mode

Under the Mesh-only mode, the ENH900EXT can be configured with the same Mesh SSID and security password in order to associate with other Mesh enabled ENH900EXTs, instead of connecting with clients.



Chapter 5

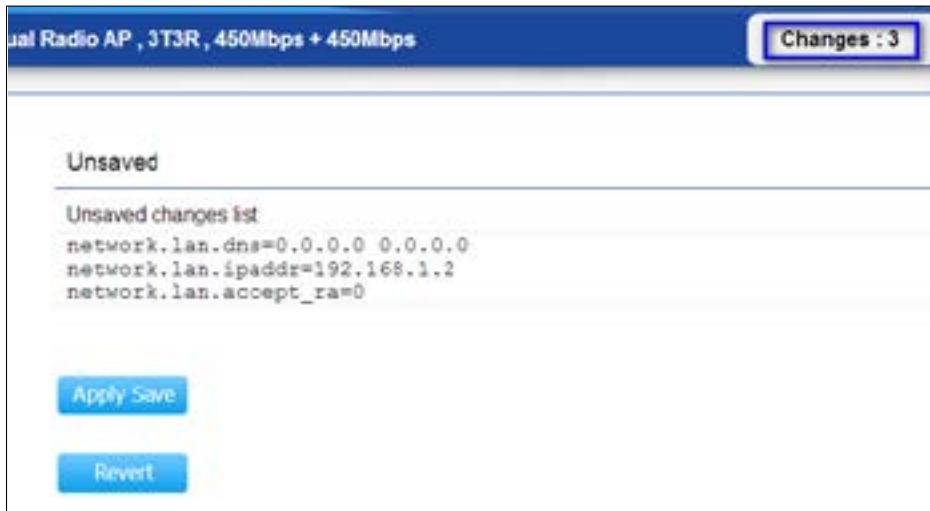
Status



Main Status

Save Changes

This page lets you save and apply the settings shown under **Unsaved changes list**, or cancel the unsaved changes and revert to the previous settings that were in effect.



Device Status

Clicking the **Device Status** link under the **Overview** menu shows the status information about the current operating mode.

- The **Device Information** section shows general system information such as Device Name, MAC Address, Current Time, Firmware Version, and Management VLAN ID

Note: VLAN ID information is only applicable in Access Point or WDS AP mode.

Device Information	
Device Name	ENH900EXT
MAC Address	
- LAN	88:DC:96:06:3C:94
- Wireless LAN - 2.4GHz	88:DC:96:06:3C:96
- Wireless LAN - 5GHz	88:DC:96:06:3C:97
Country	Default
Current Local Time	Wed Sep 25 03:04:37 UTC 2013
Firmware Version	2.0.0
Management VLAN ID	4096

- The **LAN Information** section shows the Local Area

Network settings such as the LAN IP Address, Subnet mask, and DNS Address.

LAN Information - IPv4	
IP Address	192.168.1.1
Subnet Mask	255.255.255.0
Gateway	192.168.1.1
Primary DNS	0.0.0.0
Secondary DNS	0.0.0.0
DHCP Client	Disable
Spanning Tree Protocol (STP)	Disable

Statistics			
	SSID	MAC	TX/Packets
Ethernet		00:02:6F:FF:FF:FF	75.57KB(356 PKts.)
EnGenius063C96_1-2.4GHz		88:DC:96:06:3C:96	0KB(0 PKts.)
EnGenius063C97_1-5GHz		69:DC:96:06:3C:97	0KB(0 PKts.)

- The **Wireless LAN Information 2.4 GHz/5 GHz** section shows wireless information such as Operating Mode, Frequency, and Channel. Since the ENH900EXT supports multiple-SSIDs, information about each SSID, the ESSID, and security settings, are displayed

Note: Profile Settings are only applicable in Access Point and WDS AP modes.

Wireless LAN Information - 2.4GHz				
Operation Mode	AP			
Wireless Mode	802.11 B/G/N			
Channel Bandwidth	20-40 MHz			
Channel	2.437 GHz (Channel 6)			
Distance	1000 M			
Profile	SSID	Security	VID	802.1Q
#1	EnGenius063C96_1-2.4GHz	None	1	Disable
#2	EnGenius063C96_2-2.4GHz	None	2	Disable
#3	EnGenius063C96_3-2.4GHz	None	3	Disable
#4	EnGenius063C96_4-2.4GHz	None	4	Disable
#5	EnGenius063C96_5-2.4GHz	None	5	Disable
#6	EnGenius063C96_6-2.4GHz	None	6	Disable

Wireless LAN information - 5GHz				
Operation Mode	AP			
Wireless Mode	802.11 A/N			
Channel Bandwidth	40 MHz			
Channel	5.65 GHz (Channel 132)			
Distance	1000 M			
Profile	SSID	Security	VID	802.1Q
#1	EnGenius063C97_1-5GHz	None	51	Disable
#2	EnGenius063C97_2-5GHz	None	52	Disable
#3	EnGenius063C97_3-5GHz	None	53	Disable
#4	EnGenius063C97_4-5GHz	None	54	Disable
#5	EnGenius063C97_5-5GHz	None	55	Disable
#6	EnGenius063C97_6-5GHz	None	56	Disable
#7	EnGenius063C97_7-5GHz	None	57	Disable
#8	EnGenius063C97_8-5GHz	None	58	Disable

- The **Statistics** section shows Mac information such as SSID, MAC address, RX and TX.

- The **Wireless Mesh Information - 2.4 GHz** section shows wireless information such as Operation Mode, Wireless Mode, Channel Bandwidth, Frequency/Channel, Mesh SSID and Mesh Security.

Wireless Mesh Information - 2.4GHz	
Operation Mode	mesh-ap
Wireless Mode	802.11 B/G/N
Channel Bandwidth	20
Frequency/Channel	N/A
Mesh SSID	EnGeniusMesh
Mesh Security	None

Connection

2.4 GHz/5 GHz Connection List

Click the connection link under the **Overview** menu displays the connection list of clients associated to the ENH900EXT's 2.4 GHz/5 GHz, along with the MAC addresses and signal strength for each client. Clicking **Refresh** updates the client list.

Note: Only applicable in Access Point and WDS AP modes.

2.4 GHz/5 GHz WDS Link List

Click the connection link under the Overview menu. This page displays the current status of the WDS link, including WDS Link ID, MAC Address, Link Status and RSSI.

Note: Only applicable in WDS AP and WDS Bridge modes.

The screenshot shows the EnGenius web interface for the ENH900EXT Dual Radio Outdoor AP. The left sidebar contains a navigation menu with the following items: Overview, Device Status, Connections (highlighted), Network, Basic, Wireless, Management, Advanced, Time Zone, WiFi Scheduler, Tools, System Manager, Account, Firmware, and Log. The main content area displays several sections:

- Mesh Direct Link Node - 2.4GHz**: A table with columns for Mesh Node ID#, MAC Address, and RSSI(dBm).
- 2.4GHz Mesh Node**: A table with columns for Mesh Node ID# and MAC Address.
- Connection List - 2.4GHz**: A table with columns for SSID, MAC Address, TX, RX, RSSI, and Block. One entry is shown for SSID 'EnGenius160796_1-2.4GHz' with MAC 'B4:52:7E:80:C2:37', TX '0Kb', RX '0Kb', and RSSI '-96dBm'. A 'Click' button is next to the entry.
- Connection List - 5GHz**: A table with columns for SSID, MAC Address, TX, RX, RSSI, and Block.

The Mesh Link List

Monitor the 2.4GHz Mesh Link List under the status menu. The page will display the current status of the Mesh Links under the Mesh AP mode and Mesh nodes under the Mesh Only mode.

Note: Only Applicable in the Mesh AP and Mesh Only mode.

Chapter 6

Network



Basic IP Settings

IPv4/IPv6 Settings

This page allows you to modify the device's IP settings.

The screenshot displays the 'Basic IP Settings' configuration page. It is divided into two main sections: 'IPv4 Settings' and 'IPv6 Settings'. The 'IPv4 Settings' section is currently active, showing a dropdown menu set to 'Static IP'. Below this, there are input fields for 'IP Address' (192.168.1.1), 'Subnet Mask' (255.255.255.0), 'Gateway' (192.168.1.1), 'Primary DNS' (0.0.0.0), and 'Secondary DNS' (0.0.0.0). The 'IPv6 Settings' section is currently inactive, with a dropdown menu set to 'Link-local Address'. It has input fields for 'IP Address', 'Subnet Prefix Length', 'Gateway', 'Primary DNS', and 'Secondary DNS', all of which are currently empty.

IPv4 Settings	
IP Network Setting	Static IP
IP Address	192.168.1.1
Subnet Mask	255.255.255.0
Gateway	192.168.1.1
Primary DNS	0.0.0.0
Secondary DNS	0.0.0.0

IPv6 Settings	
IP Address	
Subnet Prefix Length	
Gateway	
Primary DNS	
Secondary DNS	

IP Network Settings: Select whether the device IP address will use a static IP address specified in the IP address field or be obtained automatically when the device connects to a DHCP server.

IP Address: The IP address of this device.

Subnet Mask: The IP Subnet mask of this device.

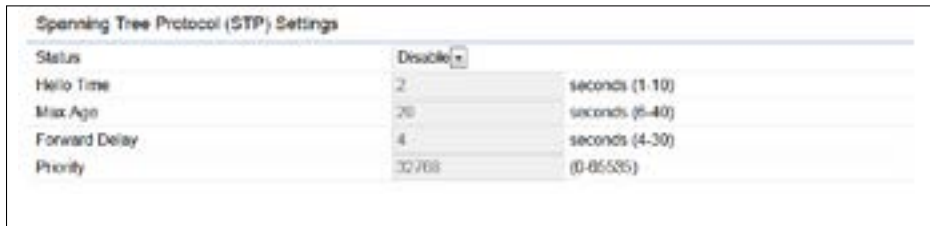
Gateway: The Default Gateway of this device. Leave it blank if you are unsure of this setting.

Primary/Secondary DNS: The primary/secondary DNS address for this device.

Save: Click **Save** to confirm the changes.

Spanning Tree Protocol (STP) Settings

This page allows you to modify the Spanning Tree settings. Enabling the Spanning Tree protocol will prevent network loops in your LAN network.



The screenshot shows a configuration page titled "Spanning Tree Protocol (STP) Settings". It contains a table with five rows, each representing a different STP parameter. The "Status" row has a dropdown menu currently set to "Disable". The other rows show numerical values and their respective ranges in seconds.

Spanning Tree Protocol (STP) Settings		
Status	Disable	
Hello Time	2	seconds (1-10)
Max Age	20	seconds (6-40)
Forward Delay	4	seconds (4-30)
Priority	32768	(0-65535)

Spanning Tree Status: Enables or disables the Spanning Tree function.

Hello Time: Specifies Bridge Hello Time in seconds. This value determines how often the device sends handshake packets to communicate information about the topology throughout the entire Bridged Local Area Network.

Max Age: Specifies Bridge Max Age in seconds. If another bridge in the spanning tree does not send a hello packet for a long period of time, it is assumed to be inactive.

Forward Delay: Specifies Bridge Forward Delay in seconds. Forwarding delay time is the time spent in each of the Listening and Learning states before the Forwarding state is entered. This delay is provided so that when a new bridge comes onto a busy network, it analyzes data traffic before participating in the network.

Priority: Specifies the Priority Number. A smaller number has a greater priority than a larger number.

Save: Click **Save** to confirm the changes.


Chapter 7

2.4 GHz & 5 GHz Wireless



Wireless

Wireless Settings

Wireless Settings	
Device Name	<input type="text" value="ENH900EXT"/>
Country / Region	<input type="text" value="United States"/>
Band Steering	<input type="text" value="Disable"/> 
NOTE: In order for Band Steering function to work properly, both 2.4GHz and 5GHz SSID and security settings must be the same.	

Device Name: Enter a name for the device. The name you type appears in SNMP management. This name is not the SSID and is not broadcast to other devices.

Band Steering: Enable Band Steering to send 802.11n clients to the 5 GHz band, where 802.11b/g clients cannot go, and leave 802.11b/g clients in 2.4GHz to operate at their slower rates. Band Steering works within the Access Point by directing 5 GHz-capable clients to that band.

Save: Click **Save** to confirm the changes.

This page displays the current status of the Wireless settings of the ENH900EXT.

2.4 GHz/5 GHz Wireless Network

	2.4GHz	5GHz
Operation Mode	Access Point <input type="checkbox"/> Green <input checked="" type="checkbox"/>	Access Point <input type="checkbox"/> Green <input checked="" type="checkbox"/>
Wireless Mode	802.11 B/G/N	802.11 A/N
Channel HT Mode	20/40 MHz	40 MHz
Extension Channel	Upper Channel	Lower Channel
Channel	Auto	Auto
Transmit Power	20 dBm	20 dBm
Data Rate	Auto	Auto
RTS / CTS Threshold (1 - 2346)	2346	2346
Client Limits	127 Enable	127 Enable
Aggregation	32 Frames Enable	32 Frames Enable
AP Detection	50000 Bytes(Max) Scan	50000 Bytes(Max) Scan
Distance (1-30km)	1	1

Operation Mode: Select **Operation Mode**. The ENH900EXT supports three different operation modes: Access Point, or WDS (WDS AP, WDS Bridge, and WDS Station).

Wireless Mode: Supports 802.11b/g/n mixed mode in 2.4 GHz and 802.11a/n mixed mode in 5 GHz.

Channel HT Mode: The default channel bandwidth is 20 MHz/ 40 MHz. The larger the channel, the greater the transmission quality and speed.

Extension Channel: Select upper or lower channel. Your selection may affect the Auto channel function.

Transmit Power: Sets the power output of the wireless signal.

Data Rate: Select a data rate from the drop-down list. The data rate affects throughput of data in the ENH900EXT. Select the best balance for you and your network but note that the lower the data rate, the lower the throughput, though transmission distance is also lowered.

RTS/CTS Threshold: Specifies the threshold package size for RTC/CTS. A small number causes RTS/CTS packets to be sent more often and consumes more bandwidth.

Client Limits: Limits the total number of clients.

Aggregation: Merges data packets into one packet. This option reduces the number of packets, but also increases packet sizes.

AP Detection: AP Detection can select the best channel to use by scanning nearby areas for Access Points.

Distance: Specifies the distance between Access Points and clients. Note that longer distances may drop higher-

speed connections.

Save: Click **Save** to confirm the changes or **Cancel** to cancel and return to previous settings.

2.4 GHz/5 GHz SSID Profile

No.	Enable	SSID	Edit	Security	Suppressed SSID	Station Separation	Isolation	VID
1	<input checked="" type="checkbox"/>	EnGenius063C96_1-2.4GHz	Edit	None	<input type="checkbox"/>	<input type="checkbox"/>	<input type="checkbox"/>	1
2	<input type="checkbox"/>	EnGenius063C96_2-2.4GHz	Edit	None	<input type="checkbox"/>	<input type="checkbox"/>	<input type="checkbox"/>	2
3	<input type="checkbox"/>	EnGenius063C96_3-2.4GHz	Edit	None	<input type="checkbox"/>	<input type="checkbox"/>	<input type="checkbox"/>	3
4	<input type="checkbox"/>	EnGenius063C96_4-2.4GHz	Edit	None	<input type="checkbox"/>	<input type="checkbox"/>	<input type="checkbox"/>	4
5	<input type="checkbox"/>	EnGenius063C96_5-2.4GHz	Edit	None	<input type="checkbox"/>	<input type="checkbox"/>	<input type="checkbox"/>	5
6	<input type="checkbox"/>	EnGenius063C96_6-2.4GHz	Edit	None	<input type="checkbox"/>	<input type="checkbox"/>	<input type="checkbox"/>	6
7	<input type="checkbox"/>	EnGenius063C96_7-2.4GHz	Edit	None	<input type="checkbox"/>	<input type="checkbox"/>	<input type="checkbox"/>	7
8	<input type="checkbox"/>	EnGenius063C96_8-2.4GHz	Edit	None	<input type="checkbox"/>	<input type="checkbox"/>	<input type="checkbox"/>	8

No.	Enable	SSID	Edit	Security	Suppressed SSID	Station Separation	Isolation	VID
1	<input checked="" type="checkbox"/>	EnGenius063C97_1-5GHz	Edit	None	<input type="checkbox"/>	<input type="checkbox"/>	<input type="checkbox"/>	51
2	<input type="checkbox"/>	EnGenius063C97_2-5GHz	Edit	None	<input type="checkbox"/>	<input type="checkbox"/>	<input type="checkbox"/>	52
3	<input type="checkbox"/>	EnGenius063C97_3-5GHz	Edit	None	<input type="checkbox"/>	<input type="checkbox"/>	<input type="checkbox"/>	53
4	<input type="checkbox"/>	EnGenius063C97_4-5GHz	Edit	None	<input type="checkbox"/>	<input type="checkbox"/>	<input type="checkbox"/>	54
5	<input type="checkbox"/>	EnGenius063C97_5-5GHz	Edit	None	<input type="checkbox"/>	<input type="checkbox"/>	<input type="checkbox"/>	55
6	<input type="checkbox"/>	EnGenius063C97_6-5GHz	Edit	None	<input type="checkbox"/>	<input type="checkbox"/>	<input type="checkbox"/>	56
7	<input type="checkbox"/>	EnGenius063C97_7-5GHz	Edit	None	<input type="checkbox"/>	<input type="checkbox"/>	<input type="checkbox"/>	57
8	<input type="checkbox"/>	EnGenius063C97_8-5GHz	Edit	None	<input type="checkbox"/>	<input type="checkbox"/>	<input type="checkbox"/>	58

Current Profile: You can configure up to sixteen (16) different SSIDs (eight (8) per band). If multiple client devices will be accessing the network, you can arrange the devices into SSID groups. Click **Edit** to configure the profile and check whether you want to enable extra SSID.

SSID: Specifies the SSID for the current profile.

Suppressed SSID: Check this option to hide the SSID from clients. If checked, the SSID will not appear in the site survey.

Station Separation: Click the appropriate radio button to allow or prevent communication between client devices.

VID: Specifies the VLAN tag for each profile. If your network includes VLANs, you can specify a VLAN ID for packets pass through the Access Point with a tag.

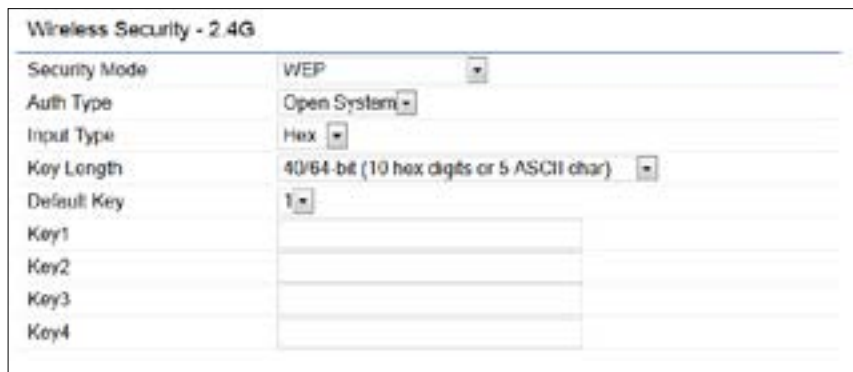
Wireless Security: See the Wireless Security section.

Isolation: Restrict clients communicating with different VIDs by selecting the radio button.

Save: Click **Save** to accept the changes.

Wireless Security

The Wireless Security section lets you configure the ENH900EXT's security modes: WEP, WPA-PSK, WPA2-PSK, WPA-PSK Mixed, WPA, WPA2, and WPA Mixed. It is strongly recommend that you use WPA2-PSK.



The screenshot shows a configuration window titled "Wireless Security - 2.4G". It contains several settings:

Security Mode	WEP
Auth Type	Open System
Input Type	Hex
Key Length	40/64-bit (10 hex digits or 5 ASCII char)
Default Key	1
Key1	
Key2	
Key3	
Key4	

Auth Type: Select **Open System** or **Shared Key**.

Input Type:

ASCII: Regular Text (recommended)

Hexadecimal Numbers (For advanced users)

Key Length: Select the desired option and ensure that wireless clients use the same setting. Your choices are 64, 128, and 152-bit password lengths.

Default Key: Select the Key you wish to be the default. Transmitted data is **ALWAYS** encrypted using the Default Key; the other Keys are for decryption only. You must enter a Key Value for the Default Key.

Encryption Key Number: Enter the Key Value or values you wish to use. Only the Key selected as Default is required. The others are optional.

Wireless MAC Filtering

Wireless MAC Filtering is used to allow or deny network access to wireless clients (computers, tablet PCs, NAS, smartphones, etc.) according to their MAC addresses. You can manually add a MAC address to restrict permission to access the ENH900EXT. The default setting is: **Disable Wireless MAC Filter**.

Note: Only applicable in Access Point and WDS AP modes.



The screenshot shows the 'Wireless MAC Filter' configuration page. At the top, there is a title 'Wireless MAC Filter'. Below it, the 'ACL Mode' is set to 'Disabled' in a dropdown menu. To the right of the dropdown is an 'Add' button. Below the 'Add' button is a table with two columns: '#' and 'MAC Address'. The table is currently empty.

ACL Mode: Determines whether network access is granted or denied to clients whose MAC addresses appear in the MAC address table on this page. Your choices are: Disabled, Deny MAC in the list, or Allow MAC in the list.

MAC Address: Enter the MAC address of the wireless client.

Add: Click **Add** to add the MAC address to the MAC address table.

Delete: Delete the selected entries.

Save: Click **Save** to apply the changes.

Wireless Advanced

Wireless Traffic Shaping

Traffic shaping regulates the flow of packets leaving an interface to deliver improved Quality of Service.

Wireless Traffic Shaping		
Enable Traffic Shaping	Disable ▾	
Download Limit	100	Mbps (1-999)
Upload Limit	100	Mbps (1-999)

Enable Traffic Shaping: Check this option to enable Wireless Traffic Shaping.

Download Limit: Specifies the wireless transmission speed used for downloading.

Upload Limit: Specifies the wireless transmission speed used for uploading.

Save: Click **Save** to confirm the changes.

WPA-PSK (WPA Pre-Shared Key) Encryption:

Wireless Security - 2.4G	
Security Mode	WPA2-PSK ▾
Encryption	Both(TKIP+AES) ▾
Passphrase	<input type="text"/>
Group Key Update Interval	3600

Encryption: Select the WPA encryption type you would like. Please ensure that your wireless clients use the same settings.

Passphrase: Wireless clients must use the same Key to associate the device. If using ASCII format, the Key must be from 8 to 63 characters in length. If using HEX format, the Key must be 64 HEX characters in length.

Group Key Update Interval: Specifies how often, in seconds, the Group Key changes.

WPA Mixed-Enterprise: Access Point / WDS AP mode

Wireless Security - 2.4G	
Security Mode	WPA Mixed-Enterprise ▾
Encryption	Both(TKIP+AES) ▾
Group Key Update Interval	3600
Radius Server	
Radius Port	1812
Radius Secret	
Radius Accounting	Disable ▾
Radius Accounting Server	
Radius Accounting Port	1813
Radius Accounting Secret	
Interim Accounting Interval	600

Encryption: Select the WPA encryption type you would like. Please ensure that your wireless clients use the same settings.

Radius Server: Enter the IP address of the Radius server.

Radius Port: Enter the port number used for connections to the Radius server.

Radius Secret: Enter the secret required to connect to the Radius server.

Group Key Update Interval: Specifies how often, in seconds, the Group Key changes.

Radius Accounting: Enable or disable accounting feature.

Radius Accounting Server: Enter the IP address of the Radius accounting server.

Radius Accounting Port Enter the port number used for connections to the Radius accounting server.

Radius Accounting Secret: Enter the secret required to connect to the Radius accounting server.

Interim Accounting Interval: Specifies how often, in seconds, the accounting data sends.

Note: 802.11n does not allow WEP/WPA-PSK TKIP/WPA2-PSK TKIP security mode. The connection mode will automatically change from 802.11n to 802.11g.

Fast Roaming

Enable the function to serve mobile client devices that roam from Access Point to Access Point. Some applications running on Client devices require fast re-association when they roam to a different Access Point

Please enter the settings of the SSID and initialize the Security mode to WPA enterprise, as well as to set the Radius Server firstly. Users can enable the Fast Roaming and implement the advanced search.

Please also set the same enterprise Encryption under the same SSID on other Access Points and enable the Fast Roaming. When the configuration is realized on different Access Point, the mobile client devices can run the voice service and require seamless roaming to prevent delay in conversation from Access Point to Access Point.



The screenshot shows a configuration window titled "Fast Roaming". It contains two rows of settings. The first row is "Enable Fast Roaming" with a dropdown menu set to "Enable". The second row is "Advanced Search" with a dropdown menu set to "Enable".

Fast Roaming	
Enable Fast Roaming	Enable ▾
Advanced Search	Enable ▾

Enable Fast Roaming: Enable or disable fast roaming feature.

Enable Advanced Search: Enable or disable advanced search feature.

WDS Link Settings

Using the WDS (Wireless Distribution System) feature will allow a network administrator or installer to connect to Access Points wirelessly. Doing so will extend the wired infrastructure to locations where cabling is not possible or inefficient to implement.

Note: Compatibility between different brands and models of Access Points is not guaranteed. It is recommended that the WDS network be created using the same models for maximum compatibility.

Also note: All Access Points in the WDS network need to use the same Channel and Security settings.

To create a WDS network, please enter the MAC addresses of the Access Points that you want included in the WDS. There can be a maximum of four Access Points.

Note: Only applicable in WDS AP and WDS Bridge modes.

2.4 GHz/5 GHz WDS Link Settings

The screenshot shows the 'WDS Link Settings - 2.4GHz' configuration page. It includes a 'Security' dropdown menu set to 'None', an 'AES Passphrase' text field with a placeholder '(8-63 ASCII characters or 64 hexadecimal digits)', and a table for adding Access Points. The table has columns for 'ID', 'MAC Address', and 'Mode'. There are four rows, each with a 'Disable' button in the 'Mode' column.

ID	MAC Address	Mode
1		Disable
2		Disable
3		Disable
4		Disable

The screenshot shows the 'WDS Link Settings - 5GHz' configuration page. It includes a 'Security' dropdown menu set to 'None', an 'AES Passphrase' text field with a placeholder '(8-63 ASCII characters or 64 hexadecimal digits)', and a table for adding Access Points. The table has columns for 'ID', 'MAC Address', and 'Mode'. There are four rows, each with a 'Disable' button in the 'Mode' column.

ID	MAC Address	Mode
1		Disable
2		Disable
3		Disable
4		Disable

Security: Select **None** or **AES** from the drop-down list.

AES Passphrase: Enter the Key Values you wish to use. Other Access Points must use the same Key to establish a WDS link.

MAC Address: Enter the Access Point's MAC address to where you want to extend the wireless area.

Mode: Select to disable or enable from the drop-down list.

Save: Click **Save** to confirm the changes.

2.4GHz Mesh Link Settings

Users can choose the 2.4GHz band for Mesh operation.

No.	SSID	Security	AES Passphrase
1	EnGeniusMesh	WPA2-PSK AES + None WPA2-PSK AES	12345678

AES Passphrase: Enter the key values you wish to use. Other Access Points must use the same key to establish a mesh link

Mesh Settings

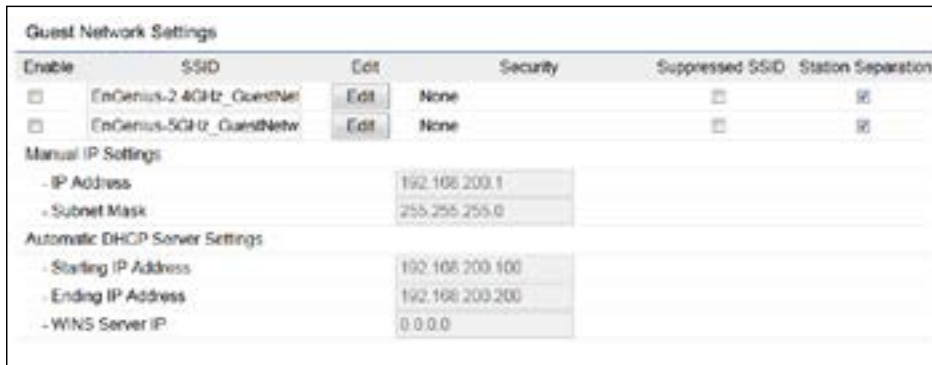
The screenshot shows the EnGenius web interface for a Dual Radio Outdoor AP. The 'Wireless Settings' section is active, displaying configuration options for both 2.4GHz and 5GHz bands. The 2.4GHz band is selected, and the 'Mesh-Only' option is chosen for the Operation Mode. The AES Passphrase is set to 12345678. The interface also includes a navigation menu on the left and a main settings area with various options like Device Name, Country/Region, and Band Steering.

Mesh SSID: To create a mesh network, please enter the Mesh SSID of the Access Point that you wish to include in the Mesh.

Security: Select None or WPA2-PSK AES from drop-down list.

Guest Network Settings

Adding a guest network allows visitors to use the Internet without giving out your office or company wireless security key. You can add a guest network to each wireless network in the 2.4 GHz b/g/n and 5 GHz a/n frequencies.



The screenshot shows the 'Guest Network Settings' configuration page. It features a table with columns for 'Enable', 'SSID', 'Edit', 'Security', 'Suppressed SSID', and 'Station Separation'. Two guest networks are listed: 'EnGenius-2.4GHz_GuestNet' and 'EnGenius-5GHz_GuestNet'. Below the table, there are sections for 'Manual IP Settings' and 'Automatic DHCP Server Settings'. The 'Manual IP Settings' section includes fields for IP Address (192.168.200.1) and Subnet Mask (255.255.255.0). The 'Automatic DHCP Server Settings' section includes fields for Starting IP Address (192.168.200.100), Ending IP Address (192.168.200.200), and WINS Server IP (0.0.0.0).

SSID: Specifies the SSID for the current profile.

Suppressed SSID: Check this option to hide the SSID from clients. If checked, the SSID will not appear in the site survey.

Station Separation: Click the appropriate radio button to allow or prevent communication between client devices.

IP Address: The IP Address of this device.

Subnet Mask: The IP Subnet mask of this device.

Starting IP Address: The first IP Address in the range of the addresses by the DHCP server.

Ending IP Address: The last IP Address in the range of addresses assigned by the DHCP server.

Fast Handover



The screenshot shows the 'Fast Handover' configuration page. It features a table with columns for 'Fast Handover' and 'RSSI'. The 'Fast Handover' column has a dropdown menu set to 'Enable'. The 'RSSI' column has a text input field set to '-70' and a label 'RSSI(Range: -60 ~ -90)'.

Fast Handover: Enable the Fast Handover feature by ensuring that each client is served by at least one Access Point at any time. Access Points continuously monitor the connectivity quality of any client in their range and efficiently share this information with other Access Points in the vicinity of that client to coordinate which of them should serve the client best.

RSSI: Enter the RSSI (Received Signal Strength Index) in order to determine the handover procedure which the current wireless link will terminate. RSSI is an indication of the power level being received by the antenna. Therefore, the higher the RSSI number, the stronger the signal.

Chapter 8

Management



Management VLAN Settings

This page allows you to assign a VLAN tag to packets sent over the network. A VLAN is a group of computers on a network whose software has been configured so that they behave as if they were on a separate Local Area Network (LAN). Computers on VLAN do not have to be physically located next to one another on the LAN.

Note: Only applicable in Access Point and WDS AP modes.



Management VLAN Settings

CAUTION: If you reconfigure the Management VLAN ID, you may lose connectivity to the access point. Verify that the switch and DHCP server can support the reconfigured VLAN ID and then is connected to the new IP address.

Management VLAN Enable

Management VLAN: If your network includes VLANs, you can enable **Management VLAN ID** for packets passing through the Access Point with a tag.

Save: Click **Save** to confirm the changes or **Cancel** to cancel and return to previous settings.

Note: If you reconfigure the Management VLAN ID, you may lose your connection to the ENH900EXT. Verify that the DHCP server supports the reconfigured VLAN ID and then reconnect to the ENH900EXT using the new IP address.

Wi-Fi Multi Media (WMM)

This feature provide QoS (Quality of Service) for prioritizing multimedia traffic on the network. WMM prioritization achieves the goal of minimizing delay in a wireless network for time-sensitive applications such as video streaming.

WMM Parameters	CWmin	CWmax	AIFS	TxOPlimit
AC_BE	4	10	3	0
AC_BK	4	10	7	0
AC_VI	3	4	2	3.000ms
AC_VO	2	3	2	1.500ms

WMM Parameters: According to version 1.1 of the WMM specifications by the Wi-Fi Alliance, defines four Access Category (AC_BE, AC_BK, AC_VI, AC_VO) labels in order to provide more favorable network access for applications that are less tolerant of packet delays.

CW: CW (Contention Window) maintains the DCF random back-off component to help avoid collisions of packets from the same access category.

AIFS: Arbitration Inter-Frame Spacing (AIFS) in wireless LAN communications is a method of prioritizing one Access

Class (AC) over the other, such as giving voice or video priority over email.

Advanced Settings

SNMP Settings

This page allows you to assign the Contact Details, Location, Community Name, and Trap Settings for a Simple Network Management Protocol (SNMP). SNMP is a networking management protocol used to monitor network attached devices. SNMP allows messages (called protocol data units) to be sent to various parts of the network. Upon receiving these messages, SNMP compatible devices (called agents) returns the data stored in their Management Information Bases.

SNMP Settings	
Status	Enable
Contact	
Location	
Port	161
Community Name (Read Only)	public
Community Name (Read Write)	private
Trap Destination	
- Port	162
- IP Address	
- Community Name	public
SNMPv3 Settings	
- Status	Enable
- Username	admin (1-31 Characters)
- Authorized Protocol	MDS
- Authorized Key	12345678 (8-32 Characters)
- Private Protocol	DES
- Private Key	12345678 (8-32 Characters)
- Engine ID	

SNMP Enable/Disable: Enables or disables the SNMP feature.

Contact: Specifies the contact details of the device.

Location: Specifies the location of the device.

Community Name (Read Only): Specifies the password for the SNMP community for read only access.

Community Name (Read/Write): Specifies the password for the SNMP community with read/write access.

Trap Destination Address: Specifies the IP address of the computer that will receive the SNMP traps.

Trap Destination Community Name: Specifies the password for the SNMP trap community.

SNMPv3: Enables or disables the SNMPv3 feature.

User Name: Specifies the username for SNMPv3.

Auth Protocol: Selects the authentication protocol type: MDS or SHA.

Auth Key: Specifies the authentication key.

Priv Protocol: Selects the privacy protocol type: DES.

Priv Key: Specifies the privacy key for privacy.

Engine ID: Specifies the engine ID for SNMPv3.

Apply Save: Click **Apply Save** to apply the changes.

CLI Settings



The screenshot shows a configuration page titled "CLI Setting". It contains three sections: "CLI" with an "Enable" dropdown, "SSH Setting" with an "Disable" dropdown, and "HTTPS Setting" with "HTTPS" set to "Enable" and "HTTPS forward" set to "Disable".

CLI: The Command Line Interface (CLI) allows you to type commands instead of choosing them from a menu or selecting an icon.

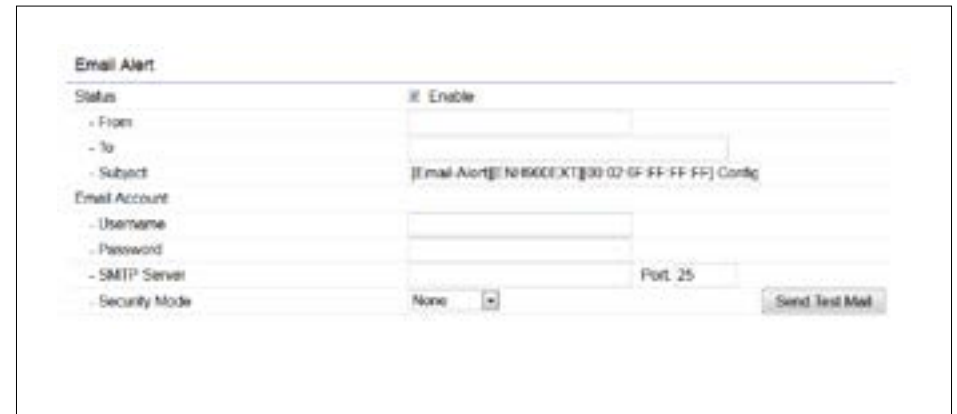
SSH: Enable Secure Shell (SSH) to make secure, encrypted connections in the network. Secure Shell is a network protocol that allows data to be exchanged using a secure channel between two network devices.

HTTPS: Enable HTTPS to transfer and display web content securely. The Hypertext Transfer Protocol over SSL (Secure Socket Layer) is a TCP/IP protocol used by web servers to transfer and display web content securely.

Email Alert

You can use the Email Alert feature to send messages to the configured email address when particular system events occur.

Note: Do **NOT** use your personal email address as it can unnecessarily expose your personal email login credentials. Use a separate email account made for this feature instead



The screenshot shows an "Email Alert" configuration page. It includes a "Status" dropdown set to "Enable". Below are fields for "From", "To", and "Subject" (pre-filled with "[Email Alert][XXXXXXXXXX-02-0F-FF-FF-FF] Config"). The "Email Account" section has fields for "Username" and "Password". The "SMTP Server" field is empty, and "Security Mode" is set to "None". A "Port, 25" label is present, and a "Send Test Mail" button is at the bottom right.

From: Enter the email address to show the sender of the email.

To: Enter the address to receive email alerts.

Subject: Enter the text to appear in the email subject line.

Username: Enter the username for the email account that will be used to send emails.

Password: Enter the password for the email account that will be used to send emails.

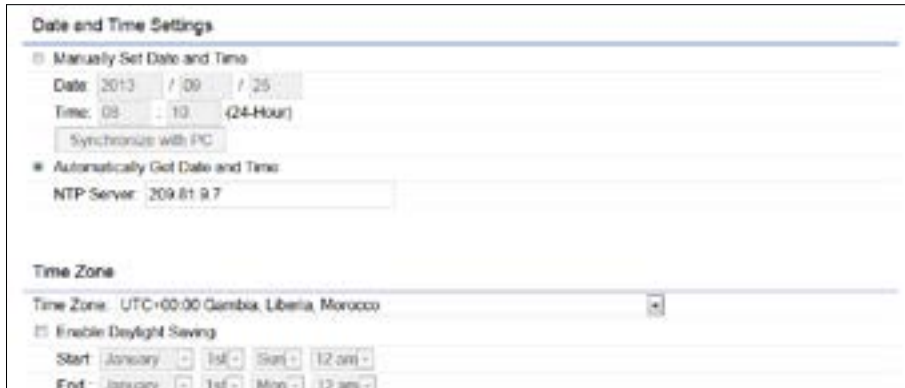
SMTP Server: Enter the IP address or hostname of the outgoing SMTP server.

Port: Enter the SMTP port number to use for outbound emails.

Time Zone

Time Setting

This page allows you to set the internal clock of the ENH900EXT.



Date and Time Settings

Manually Set Date and Time

Date: 2013 / 09 / 25

Time: 09 : 10 (24-Hour)

Automatically Get Date and Time

NTP Server: 209.81.97

Time Zone

Time Zone: UTC+00:00 Gambia, Liberia, Morocco

Enable Daylight Saving

Start: January 1st 12:00

End: January 1st 12:00

Start: Select the day, month, and time when daylight savings time starts.

End: Select the day, month, and time when daylight savings times ends.

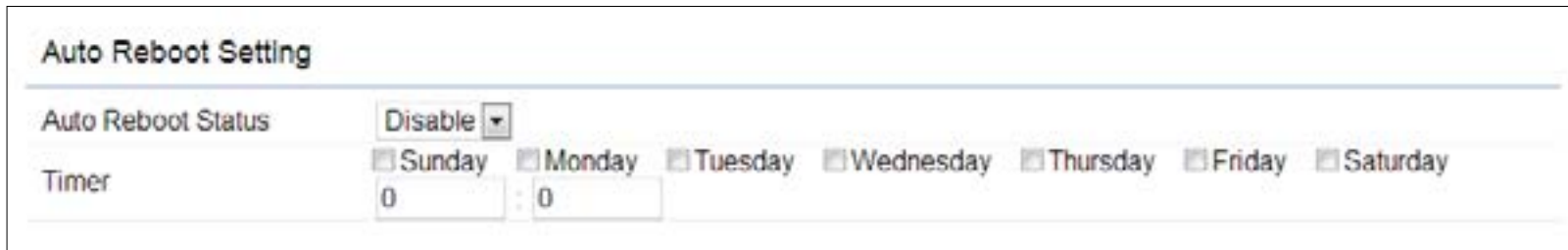
Manually Set Date and Time: Manually specify the date and time.

Automatically Get Date and Time: Select **Automatically Get Date and Time** and check whether you wish to enter the IP address of an NTP server or use the default NTP server to have the internal clock set automatically.

Enable Daylight Saving: Check whether daylight savings applies to your area.

Auto Reboot Settings

You can specify how often you wish to reboot the ENH900EXT.



The screenshot shows a configuration window titled "Auto Reboot Setting". It contains three main sections: "Auto Reboot Status" with a dropdown menu set to "Disable"; "Timer" with a row of checkboxes for each day of the week (Sunday through Saturday), all of which are currently unchecked; and a time input field showing "0" minutes and "0" seconds.

Auto Reboot Setting: Enables or disables the Auto Reboot function.

Frequency of Auto Reboot: Specifies how often you wish to reboot the ENH900EXT by Min, Hour, Day or Week.

Timer: Select the day and enter the time you would like to reboot automatically.

Save: Click **Save** to apply the changes.

Wi-Fi Scheduler

The Wi-Fi Scheduler can be created for use in enforcing rules. For example, if you wish to restrict web access to Mon-Fri from 3pm to 8pm, you could create a schedule selecting Mon, Tue, Wed, Thu and Fri while entering a Start time of 3pm and End Time of 8pm to limit access to these times.

Wi-Fi Scheduler

Status: Enable

NOTE: Please assure that the Time Zone Settings is synced with your local time when enabling the Wi-Fi Scheduler

Wireless Radio: 2.4GHz

SSID Selection: EriGenus063096_1.2.4GHz

Schedule Templates: Choose a template

Day	Availability	Duration
Sunday	available	00 : 00 ~ 24 : 00
Monday	available	00 : 00 ~ 24 : 00
Tuesday	available	00 : 00 ~ 24 : 00
Wednesday	available	00 : 00 ~ 24 : 00
Thursday	available	00 : 00 ~ 24 : 00
Friday	available	00 : 00 ~ 24 : 00
Saturday	available	00 : 00 ~ 24 : 00

drop-down list.

Day(s): Place a checkmark in the boxes for the desired days or select the **All Week** radio button to select all seven days of the week.

Duration: The Start Time is entered in two fields. The first box is for hours and the second box is for minutes. The End Time is entered in the same format as the Start time.

Status: Enables or disables the Wi-Fi scheduler function.

Wireless Radio: Select 2.4 GHz or 5 GHz from the drop-down list for the preferred band type.

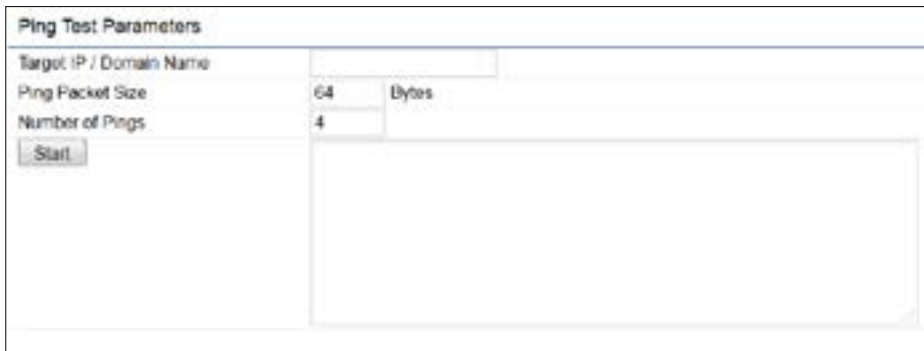
SSID Selection: Select a SSID from the drop-down list.

Schedule Templates: Select a schedule template from the

Tools

Ping Test Parameters

This page allows you to analyze the connection quality of the ENH900EXT and trace the routing table to a target in the network.



The screenshot shows a web form titled "Ping Test Parameters". It contains three input fields: "Target IP / Domain Name" (empty), "Ping Packet Size" (set to 64 Bytes), and "Number of Pings" (set to 4). There is a "Start" button at the bottom left of the form.



The screenshot shows a web form titled "Traceroute Test Parameters". It contains one input field: "Target IP / Domain Name" (empty). There are two buttons, "Start" and "Stop", located at the bottom left of the form.

Target IP: Enter the IP address you would like to search.

Ping Packet Size: Enter the packet size of each ping.

Number of Pings: Enter the number of times you wish to ping.

Start Ping: Click **Start Ping** to begin pinging the target device (via IP).

Traceroute Target: Enter the IP address or domain name you wish to trace.

Start Traceroute: Click **Start Traceroute** to begin the trace route operation.

Speed Test Parameters / LED Control

This page allows you to control LED on/off for Power, LAN interface, or 2.4 GHz/5 GHz WLAN interface.

The screenshot shows the 'Speed Test Parameters' configuration page. It includes a 'Target IP / Domain Name' field, a 'Time Period' dropdown set to '20' with a 'sec' unit, and a 'Check Interval' dropdown set to '5' with a 'sec' unit. There is a 'Start' button and a large empty area for test results. At the bottom, there are fields for 'IPv4 Port' (5001) and 'IPv6 Port' (5002).

The screenshot shows the 'LED Control' configuration page. It has four rows, each with a label and a dropdown menu: 'Power' (Enabled), 'LAN' (Enabled), 'WLAN-2.4GHz' (Enabled), and 'WLAN-5GHz' (Enabled). Below these is a blue 'Apply' button and a message that says 'Apply saved settings to take effect'.

LED Control

Power: Enables or disables the Power LED indicator.

LAN: Enables or disables the LAN LED indicator.

WLAN-2.4 GHz: Enables or disables the WLAN-2.4 GHz LED indicator.

WLAN-5 GHz: Enables or disables the WLAN-5 GHz LED indicator.

Device Discovery

This page allows you to discover devices from network for Operation Mode, IP Address, System MAC Address and Firmware version.

The screenshot shows the 'Device Discovery' configuration page. It features a table with five columns: 'Device Name', 'Operation Mode', 'IP Address', 'System MAC Address', and 'Firmware Version'. Below the table is a 'Scan' button.

Account

This page allows you to change the ENH900EXT username and password. By default, the username is: **admin** and the password is: **admin**. The password can contain from 0 to 12 alphanumeric characters and is case sensitive.

Account Settings

Account Settings	
Administrator Username	admin
Current Password	*****
New Password	
Verify Password	

Administrator Username: Enter a new username for logging in to the New Name entry box.

Current Password: Enter the old password for logging in to the Old Password entry box.

New Password: Enter the new password for logging in to the New Password entry box.


Verify Password: Re-enter the new password in the Confirm Password entry box for confirmation.

Apply: Click **Apply** to apply the changes.

Firmware

Firmware Upgrade

This page allows you to upgrade the firmware of the ENH900EXT.



To Perform the Firmware Upgrade:

1. Click the **Choose File** button and navigate the OS file system to the location of the upgrade file.
2. Select the upgrade file. The name of the file will appear in the Upgrade File field.
3. Click the **Upload** button to commence the firmware upgrade.

Note: The device is unavailable during the Firmware upgrade process and must restart when the upgrade is completed. Any connections to or through the device will be lost.

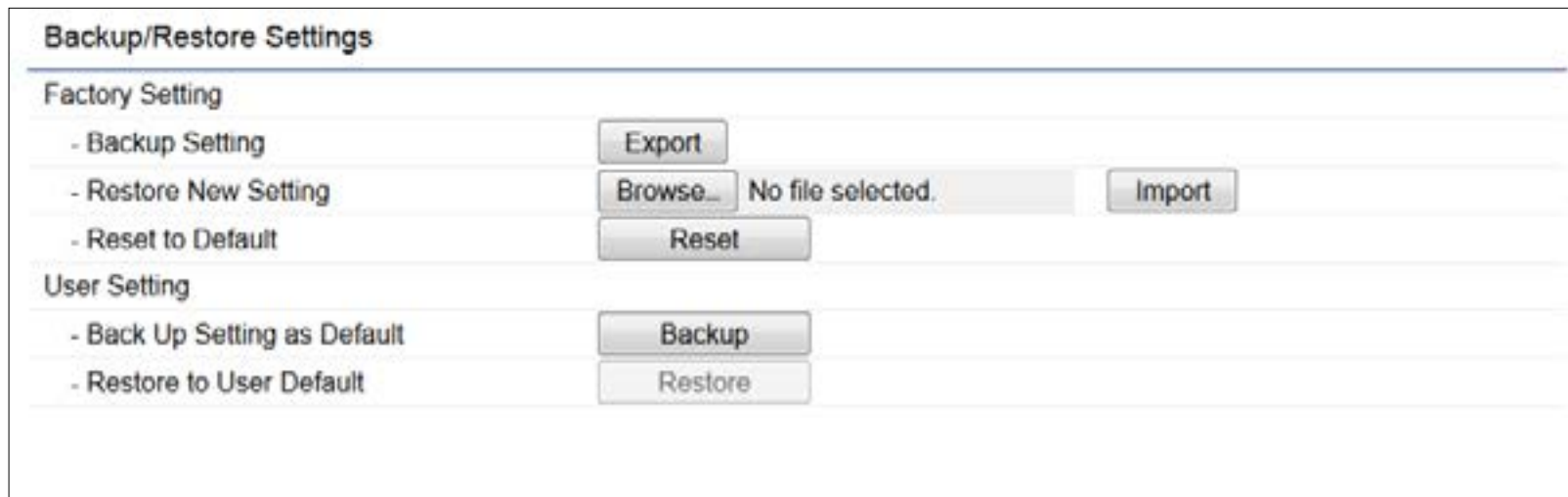
Backup/Restore

This page allows you to save the current device configurations. When you save your configurations, you also can reload the saved configurations into the device through the Restore Saved Settings from a file section. If extreme problems occur, or if you have set the ENH900EXT incorrectly, you can use the **Reset** button in the Revert to Factory Default Settings section to restore all the configurations of the ENH900EXT to the original default settings.

Backup Setting: Click **Export** to save the current configured settings.

Restore New Setting: To restore settings that have been previously backed up, click **Browse**, select the file, and click **Restore**.

Restore to Default: Click **Reset** button to restore the ENH900EXT to its factory default settings.



User Setting

The User Setting section allows you to backup the current device configurations into the ENH900EXT as the default value. If extreme problems occur, or if you have set the ENH900EXT incorrectly, you can push the Reset button to revert all the configurations of the ENH900EXT to the user default instead of the factory default.

Back Up Setting as Default: Click **Backup** to backup the user settings you would like to the device's memory for the default settings.

Restore to User Default: Click **Restore** to restore user settings to the factory standard settings.

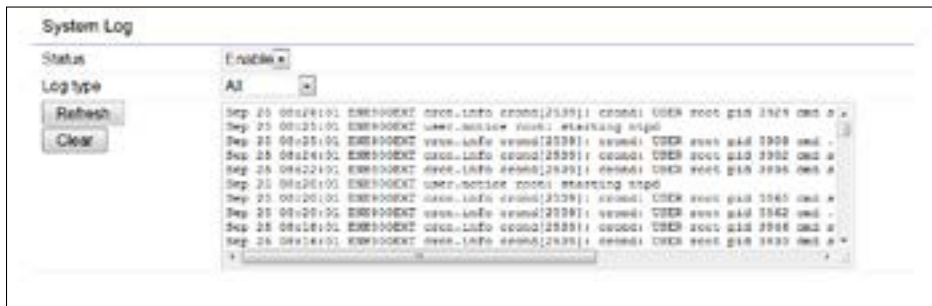
Note1: After configuring the current settings as the default, you should click the **Restore to Default** on the web interface for reverting the settings into the factory default instead of pushing the reset button.

Note2: Please **write down** your account and password before saving. The user setting will now become the new default settings at the next successful login.

Log

System Log

The ENH900EXT automatically logs (records) events of possible interest in its internal memory. To view the logged information, click the **Log** link under the System Manager menu. If there is not enough internal memory to log all events, older events are deleted from the log. When powered down or rebooted, the log will be cleared.



Remote Log

This page allows you to setup the Remote Log functions for the ENH900EXT.



Syslog: Enables or disables the syslog function.

Log Server IP Address: Enter the IP address of the log server.

Remote Log: Enable or disable the remote log service.

Apply: Click **Apply** to apply the changes.

Logout

Click **Logout** in Management menu to logout.



Reset

In some circumstances, it may be required to force the device to reboot. Click on **Reset** to reboot the ENH900EXT.



Appendix



Appendix A

Federal Communication Commission Interference Statement

This equipment has been tested and found to comply with the limits for a Class B digital device, pursuant to Part 15 of the FCC Rules. These limits are designed to provide reasonable protection against harmful interference in a residential installation. This equipment generates, uses and can radiate radio frequency energy and, if not installed and used in accordance with the instructions, may cause harmful interference to radio communications. However, there is no guarantee that interference will not occur in a particular installation. If this equipment does cause harmful interference to radio or television reception, which can be determined by turning the equipment off and on, the user is encouraged to try to correct the interference by one of the following measures:

- Reorient or relocate the receiving antenna.
- Increase the separation between the equipment and receiver.
- Connect the equipment into an outlet on a circuit different from that to which the receiver is connected.
- Consult the dealer or an experienced radio/TV technician for help



FCC Caution:

Any changes or modifications not expressly approved by the party responsible for compliance could void the user's authority to operate this equipment.

This device complies with Part 15 of the FCC Rules. Operation is subject to the following two conditions: (1) This device may not cause harmful interference, and (2) this device must accept any interference received, including interference that may cause undesired operation.

IMPORTANT NOTE:

Radiation Exposure Statement

This equipment complies with FCC radiation exposure limits set forth for an uncontrolled environment. This equipment should be installed and operated with minimum distance 38 cm between the radiator & your body.

Appendix B - CE Interference Statement

Europe - EU Declaration of Conformity

This device complies with the essential requirements of the R&TTE Directive 1999/5/EC. The following test methods have been applied in order to prove presumption of conformity with the essential requirements of the R&TTE Directive 1999/5/EC:

- **EN60950-1**
Safety of Information Technology Equipment
- **EN50385**
Generic standard to demonstrate the compliance of electronic and electrical apparatus with the basic restrictions related to human exposure to electromagnetic fields (0 Hz - 300 GHz)
- **EN 300 328**
Electromagnetic compatibility and Radio spectrum Matters (ERM); Wideband Transmission systems; Data transmission equipment operating in the 2,4 GHz ISM band and using spread spectrum modulation techniques; Harmonized EN covering essential requirements under article 3.2 of the R&TTE Directive
- **EN 301 893**
Broadband Radio Access Networks (BRAN); 5 GHz high performance RLAN; Harmonized EN covering essential requirements of article 3.2 of the R&TTE Directive
- **EN 301 489-1**
Electromagnetic compatibility and Radio Spectrum Matters (ERM); ElectroMagnetic Compatibility (EMC) standard for radio equipment and services; Part 1: Common technical requirements
- **EN 301 489-17**
Electromagnetic compatibility and Radio spectrum Matters (ERM); ElectroMagnetic Compatibility (EMC) standard for radio equipment and services; Part 17: Specific conditions for 2,4 GHz wideband transmission systems and 5 GHz high performance RLAN equipment

This device is a 5GHz wideband transmission system (transceiver), intended for use in all EU member states and EFTA countries, except in France and Italy where restrictive use applies.

In Italy the end-user should apply for a license at the national spectrum authorities in order to obtain authorization to use the device for setting up outdoor radio links and/or for supplying public access to telecommunications and/or network services.

This device may not be used for setting up outdoor radio links in France and in some areas the RF output power may be limited to 10 mW EIRP in the frequency range of 2454 – 2483.5 MHz. For detailed information the end-user should contact the national spectrum authority in France.

CE 0560

Česky [Czech]	[Jméno výrobce] tímto prohlašuje, že tento [typ zařízení] je ve shodě se základními požadavky a dalšími příslušnými ustanoveními směrnice 1999/5/ES.
Dansk [Danish]	Undertegnede [fabrikantens navn] erklærer herved, at følgende udstyr [udstyrets typebetegnelse] overholder de væsentlige krav og øvrige relevante krav i direktiv 1999/5/EF.
Deutsch [German]	Hiermit erkläre [Name des Herstellers], dass sich das Gerät [Gerätetyp] in Übereinstimmung mit den grundlegenden Anforderungen und den übrigen einschlägigen Bestimmungen der Richtlinie 1999/5/EG befindet.
Eesti [Estonian]	Käesolevaga kinnitab [tootja nimi = name of manufacturer] seadme [seadme tüüp = type of equipment] vastavust direktiivi 1999/5/EÜ põhinõuetele ja nimetatud direktiivist tulenevatele teistele asjakohastele sätetele.
English	Hereby, [name of manufacturer], declares that this [type of equipment] is in compliance with the essential requirements and other relevant provisions of Directive 1999/5/EC.
Español [Spanish]	Por medio de la presente [nombre del fabricante] declara que el [clase de equipo] cumple con los requisitos esenciales y cualesquiera otras disposiciones aplicables o exigibles de la Directiva 1999/5/CE.
Ελληνική [Greek]	ΜΕ ΤΗΝ ΠΑΡΟΥΣΑ [name of manufacturer] ΔΗΛΩΝΕΙ ΟΤΙ [type of equipment] ΣΥΜΜΟΡΦΩΝΕΤΑΙ ΠΡΟΣ ΤΙΣ ΟΥΣΙΩΔΕΙΣ ΑΠΑΙΤΗΣΕΙΣ ΚΑΙ ΤΙΣ ΛΟΙΠΕΣ ΣΧΕΤΙΚΕΣ ΔΙΑΤΑΞΕΙΣ ΤΗΣ ΟΔΗΓΙΑΣ 1999/5/ΕΚ.

Français [French]	Par la présente [nom du fabricant] déclare que l'appareil [type d'appareil] est conforme aux exigences essentielles et aux autres dispositions pertinentes de la directive 1999/5/CE.
Italiano [Italian]	Con la presente [nome del costruttore] dichiara che questo [tipo di apparecchio] è conforme ai requisiti essenziali ed alle altre disposizioni pertinenti stabilite dalla direttiva 1999/5/CE.
Latviski [Latvian]	Ar šo [name of manufacturer / izgatavotāja nosaukums] deklarē, ka [type of equipment / iekārtas tips] atbilst Direktīvas 1999/ 5/EK būtiskajām prasībām un citiem ar to saistītajiem noteikumiem.
Lietuvių [Lithuanian]	Šiuo [manufacturer name] deklaruoja, kad šis [equipment type] atitinka esminius reikalavimus ir kitas 1999/5/EB Direktyvos nuostatas.
Nederlands [Dutch]	Hierbij verklaart [naam van de fabrikant] dat het toestel [type van toestel] in overeenstemming is met de essentiële eisen en de andere relevante bepalingen van richtlijn 1999/5/EG.
Malti [Maltese]	Hawnhekk, [isem tal-manifattur], jiddikjara li dan [il-mudal tal-prodott] jikkonforma mal-ħtiġijiet essenzjali u ma provvedimenti oħrajn relevanti li hemm fid-Dirrettiva 1999/5/EC.
Magyar [Hungarian]	Alulírott, [gyártó neve] nyilatkozom, hogy a [... típus] megfelel a vonatkozó alapvető követelményeknek és az 1999/5/EC irányelv egyéb előírásainak.
Polski [Polish]	Niniejszym [nazwa producenta] oświadczam, że [nazwa wyrobu] jest zgodny z zasadniczymi wymogami oraz pozostałymi stosownymi postanowieniami Dyrektywy 1999/5/EC.
Português [Portuguese]	[Nome do fabricante] declara que este [tipo de equipamento] está conforme com os requisitos essenciais e outras disposições da Directiva 1999/5/CE.
Slovensko [Slovenian]	[Ime proizvajalca] izjavlja, da je ta [tip opreme] v skladu z bistvenimi zahtevami in ostalimi relevantnimi določili direktive 1999/5/ES.
Slovensky [Slovak]	[Meno výrobcu] týmto vyhlasuje, že [typ zariadenia] spĺňa základné požiadavky a všetky príslušné ustanovenia Smernice 1999/5/ES.
Suomi [Finnish]	[Valmistaja = manufacturer] vakuuttaa täten että [type of equipment = laitteen tyyppimerkintä] tyyppinen laite on direktiivin 1999/5/EY oleellisten vaatimusten ja sitä koskevien direktiivin muiden ehtojen mukainen.
Svenska [Swedish]	Härmed intygar [företag] att denna [utrustningstyp] står i överensstämmelse med de väsentliga egenskapskrav och övriga relevanta bestämmelser som framgår av direktiv 1999/5/EG.

Appendix C - IC Interference Statement

Industry Canada statement

This device complies with RSS-210 of the Industry Canada Rules. Operation is subject to the following two conditions: (1) This device may not cause harmful interference, and (2) this device must accept any interference received, including interference that may cause undesired operation.

Ce dispositif est conforme à la norme CNR-210 d'Industrie Canada applicable aux appareils radio exempts de licence. Son fonctionnement est sujet aux deux conditions suivantes: (1) le dispositif ne doit pas produire de brouillage préjudiciable, et (2) ce dispositif doit accepter tout brouillage reçu, y compris un brouillage susceptible de provoquer un fonctionnement indésirable.



IC Caution:

High-power radars are allocated as primary users (i.e. priority users) of the bands 5250-5350 MHz and 5650-5850 MHz and that these radars could cause interference and/or damage to LE-LAN devices.



Avertissement:

De plus, les utilisateurs devraient aussi être avisés que les utilisateurs de radars de haute puissance sont désignés utilisateurs principaux (c.-à-d., qu'ils ont la priorité) pour les bandes 5250-5350 MHz et 5650-5850 MHz et que ces radars pourraient causer du brouillage et/ou des dommages aux dispositifs LAN-EL.

IMPORTANT NOTE:

Radiation Exposure Statement

This equipment complies with IC radiation exposure limits set forth for an uncontrolled environment. This equipment should be installed and operated with minimum distance 38cm between the radiator & your body.

Déclaration d'exposition aux radiations

Cet équipement est conforme aux limites d'exposition aux rayonnements IC établies pour un environnement non contrôlé. Cet équipement doit être installé et utilisé avec un minimum de 38cm de distance entre la source de rayonnement et votre corps.

Appendix D - Professional Installation Instruction

Installation Personal

This product is designed for specific application and needs to be installed by a qualified personal who has RF and related rule knowledge. The general user shall not attempt to install or change the setting.

Installation Location

The product shall be installed at a location where the radiating antenna can be kept 38cm from nearby person in normal operation condition to meet regulatory RF exposure requirement.

External Antenna

Use only the antennas which have been approved by the applicant. The non-approved antenna(s) may produce unwanted spurious or excessive RF transmitting power which may lead to the violation of FCC/IC limit and is prohibited.

Installation Procedure

Please refer to user's manual for the detail.



Warning:

Please carefully select the installation position and make sure that the final output power does not exceed the limit set force in relevant rules. The violation of the rule could lead to serious federal penalty.

The maximum e.i.r.p. at any elevation angle above 30 degrees as measured from the horizon must not exceed 125 mW (21 dBm).

Instructions d'installation professionnelle

Installation

Ce produit est destiné à un usage spécifique et doit être installé par un personnel qualifié maîtrisant les radiofréquences et les règles s'y rapportant. L'installation et les réglages ne doivent pas être modifiés par l'utilisateur final.

Emplacement d'installation

En usage normal, afin de respecter les exigences réglementaires concernant l'exposition aux radiofréquences, ce produit doit être installé de façon à respecter une distance de 38cm entre l'antenne émettrice et les personnes.

Antenne externe

Utiliser uniquement les antennes approuvées par le fabricant. L'utilisation d'autres antennes peut conduire à un niveau de rayonnement essentiel ou non essentiel dépassant les niveaux limites définis par FCC/IC, ce qui est interdit.

Procédure d'installation

Consulter le manuel d'utilisation.



Avertissement:

Choisir avec soin la position d'installation et s'assurer que la puissance de sortie ne dépasse pas les limites en vigueur. La violation de cette règle peut conduire à de sérieuses pénalités fédérales.

Appendix E - Detachable Antenna Usage

This device has been designed to operate with an antenna having a maximum gain of 7 dB. Antenna having a higher gain is strictly prohibited per regulations of Industry Canada. The required antenna impedance is 50 ohms.

Under Industry Canada regulations, this radio transmitter may only operate using an antenna of a type and maximum (or lesser) gain approved for the transmitter by Industry Canada. To reduce potential radio interference to other users, the antenna type and its gain should be so chosen that the equivalent isotropically radiated power (e.i.r.p.) is not more than that necessary for successful communication.

This radio transmitter (IC: 10103A-ENH900EXTA / Model: ENH900EXT) has been approved by Industry Canada to operate with the antenna types listed below with the maximum permissible gain and required antenna impedance for each antenna type indicated. Antenna types not included in this list, having a gain greater than the maximum gain indicated for that type, are strictly prohibited for use with this device.

Ce dispositif a été conçu pour fonctionner avec une antenne ayant un gain maximal de dB 7. Une antenne à gain plus élevé est strictement interdite par les règlements d'Industrie Canada. L'impédance d'antenne requise est de 50 ohms.

Conformément à la réglementation d'Industrie Canada, le présent émetteur radio peut fonctionner avec une antenne d'un type et d'un gain maximal (ou inférieur) approuvé pour l'émetteur par Industrie Canada. Dans le but de réduire les risques de brouillage radioélectrique à l'intention des autres utilisateurs, il faut choisir le type d'antenne et son gain de sorte que la puissance isotrope rayonnée équivalente (p.i.r.e.) ne dépasse pas l'intensité nécessaire à l'établissement d'une communication satisfaisante.

Le présent émetteur radio (IC: 10103A-ENH900EXTA / Model: ENH900EXT) a été approuvé par Industrie Canada pour fonctionner avec les types d'antenne énumérés ci-dessous et ayant un gain admissible maximal et l'impédance requise pour chaque type d'antenne. Les types d'antenne non inclus dans cette liste, ou dont le gain est supérieur au gain maximal indiqué, sont strictement interdits pour l'exploitation de l'émetteur.

Approved Antenna(s) List

Type : Dipole

Gain : 5dBi for 2.4G / 7dBi for 5G