

# INSTRUCTION MANUAL

WG

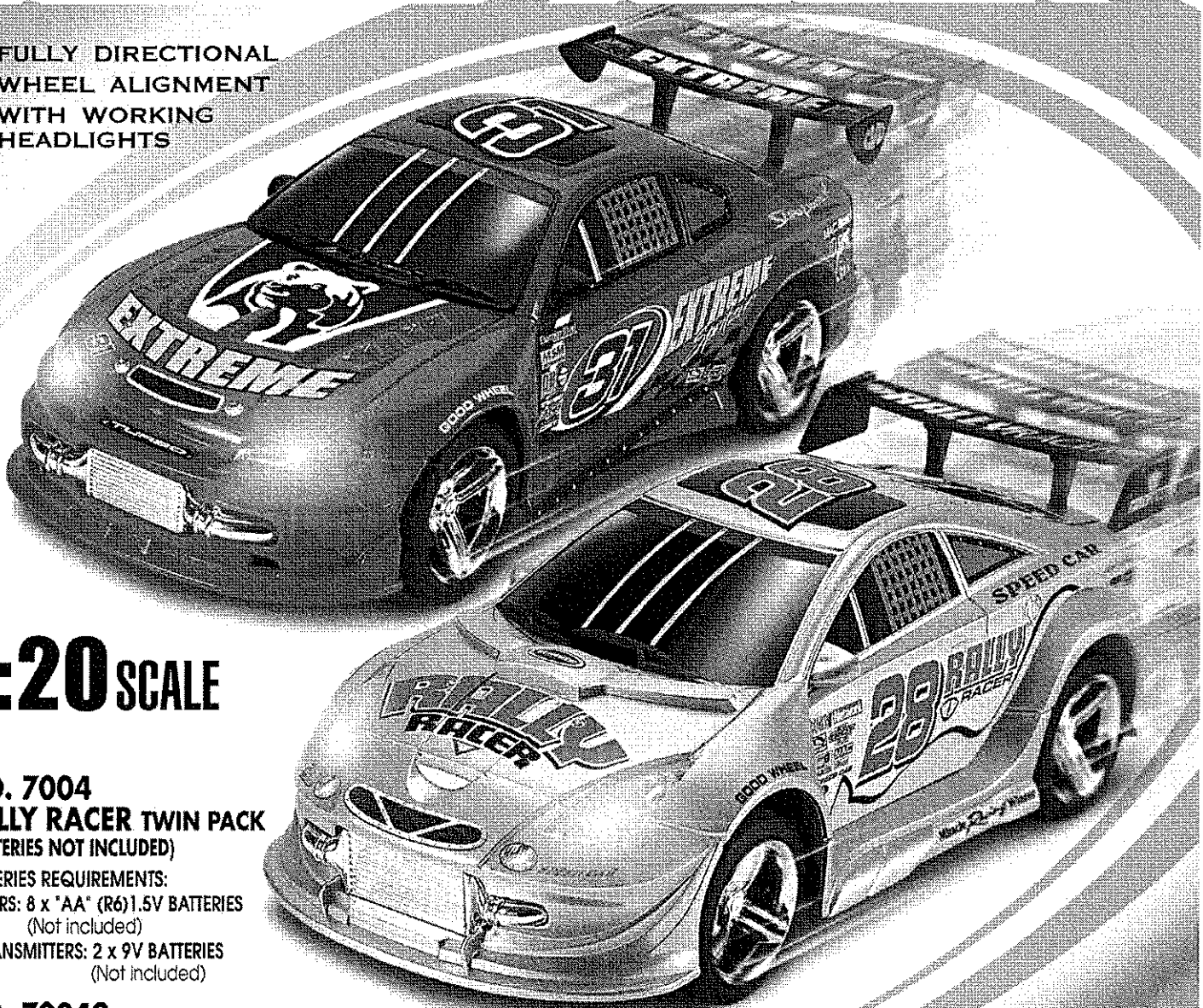
USE UNDER SUPERVISION OF AN ADULT

# RADIO CONTROL

• PLEASE READ CAREFULLY BEFORE STARTING TO OPERATE

# RALLY RACER™

- FULLY DIRECTIONAL
- WHEEL ALIGNMENT
- WITH WORKING HEADLIGHTS



## 1:20 SCALE

### NO. 7004 RALLY RACER TWIN PACK (BATTERIES NOT INCLUDED)

#### BATTERIES REQUIREMENTS:

- CARS: 8 x "AA" (R6) 1.5V BATTERIES (Not included)
- TRANSMITTERS: 2 x 9V BATTERIES (Not included)

### NO. 70049 RALLY RACER TWIN PACK (BATTERIES INCLUDED)

#### BATTERIES REQUIREMENTS:

- CARS: 8 x "AA" (R6) 1.5V BATTERIES (Included)
- TRANSMITTERS: 2 x 9V BATTERIES (Included)

### NO. 1237 RALLY RACER (BATTERIES NOT INCLUDED)

#### BATTERIES REQUIREMENTS:

- CARS: 4 x "AA" (R6) 1.5V BATTERIES (Not included)
- TRANSMITTER: 1 x 9V BATTERY (Not included)

### NO. 12371 RALLY RACER (BATTERIES INCLUDED)

#### BATTERIES REQUIREMENTS:

- CARS: 4 x "AA" (R6) 1.5V BATTERIES (Included)
- TRANSMITTER: 1 x 9V BATTERY (Included)

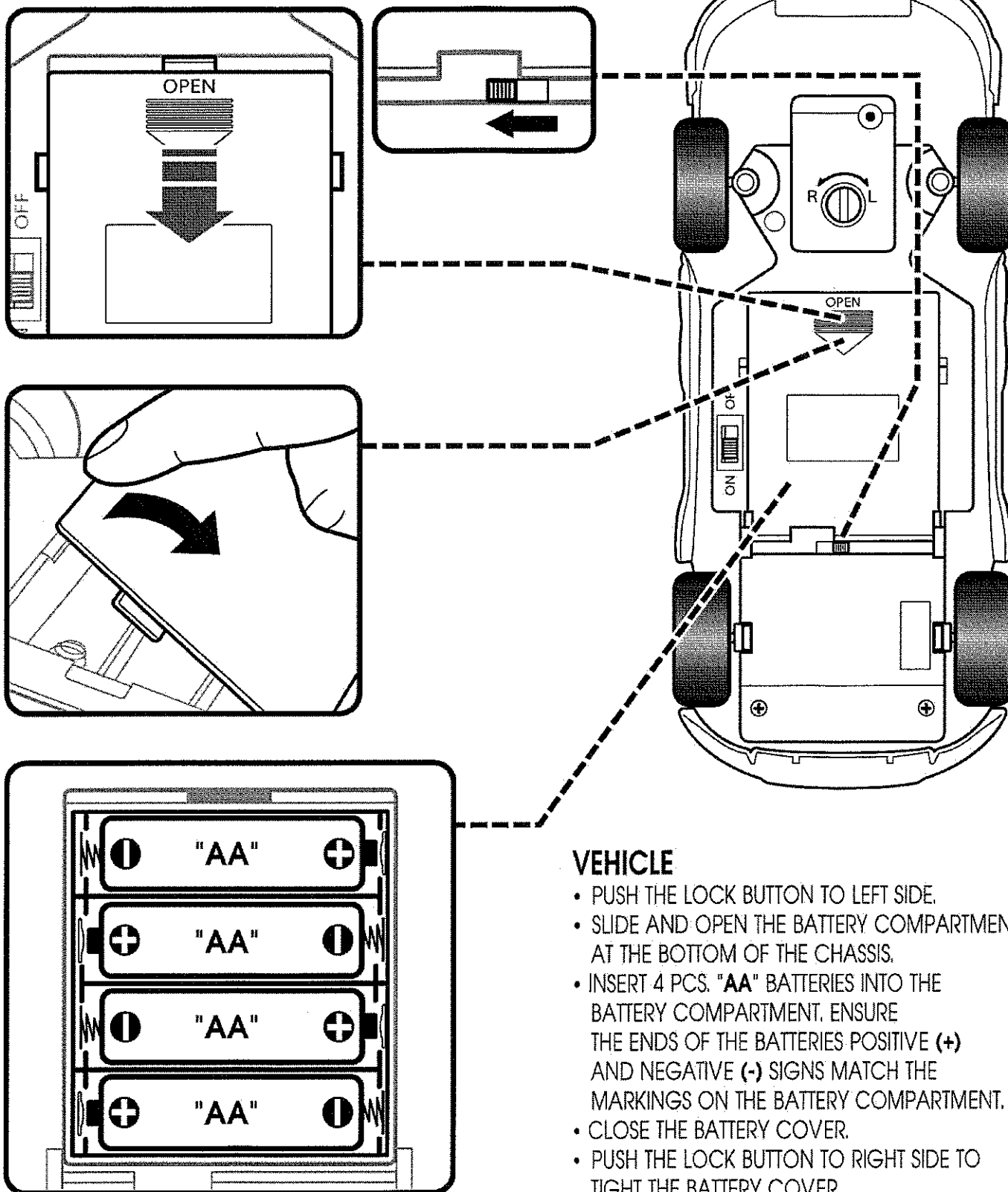
 **WARNING:**  
CHOKING HAZARD—Small parts.  
Not for children under 3 years.

## ENERTEC™

Enertec Enterprises Ltd

(Retain packaging as it contains important information..)

# BATTERY & ON/OFF SWITCH DIAGRAM AND BATTERY INSTALLATION

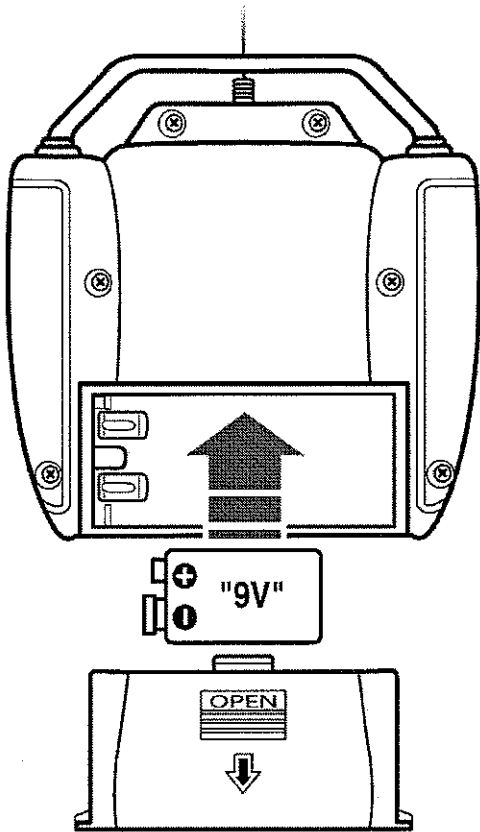


## VEHICLE

- PUSH THE LOCK BUTTON TO LEFT SIDE.
- SLIDE AND OPEN THE BATTERY COMPARTMENT AT THE BOTTOM OF THE CHASSIS.
- INSERT 4 PCS. "AA" BATTERIES INTO THE BATTERY COMPARTMENT. ENSURE THE ENDS OF THE BATTERIES POSITIVE (+) AND NEGATIVE (-) SIGNS MATCH THE MARKINGS ON THE BATTERY COMPARTMENT.
- CLOSE THE BATTERY COVER.
- PUSH THE LOCK BUTTON TO RIGHT SIDE TO TIGHT THE BATTERY COVER.

## \*IMPORTANT!

SWITCH TO "OFF" POSITION AFTER USE TO AVOID DRAINAGE OF BATTERIES.

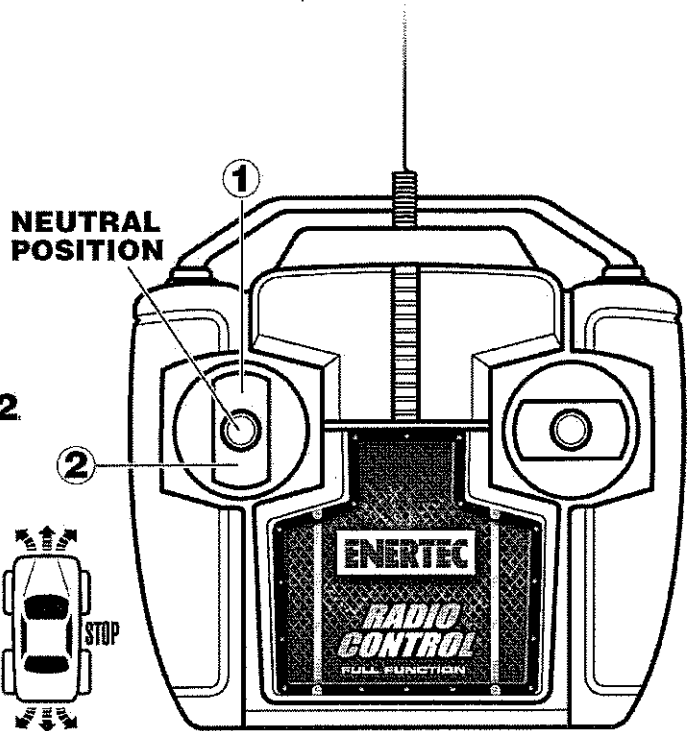


## TRANSMITTER

- SLIDE THE BATTERY COMPARTMENT COVER OFF AND INSTALL 1 9V BATTERY.
- ENSURE THE POLARITY SIGNS MATCH THOSE ON BATTERY.
- REPLACE COVER.

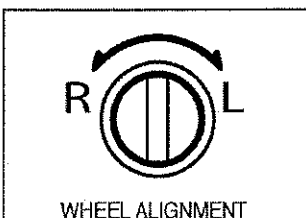
## HOW TO OPERATE:

1. TURN **ON/OFF** SWITCH AT BOTTOM OF VEHICLE TO "ON" POSITION.
2. **FORWARD.** ENGAGE LEFT JOYSTICK TO POSITION **1**.
3. **REVERSE.** ENGAGE LEFT JOYSTICK TO POSITION **2**.
4. **STEERING.** MOVE RIGHT JOYSTICK IN EITHER DIRECTION TO TURN LEFT OR RIGHT. JOYSTICK AUTOMATICALLY RETURNS TO NEUTRAL WHEN RELEASED.



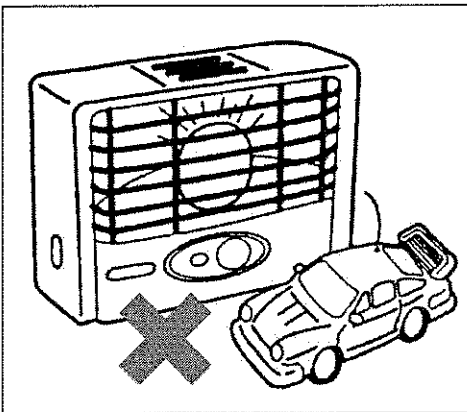
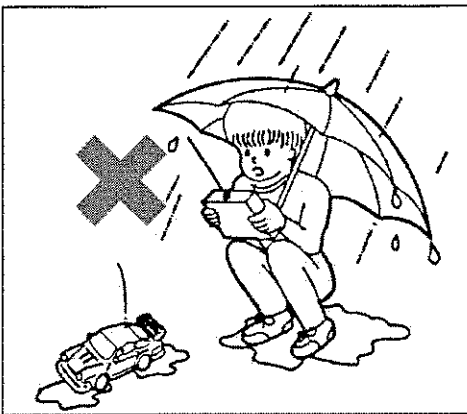
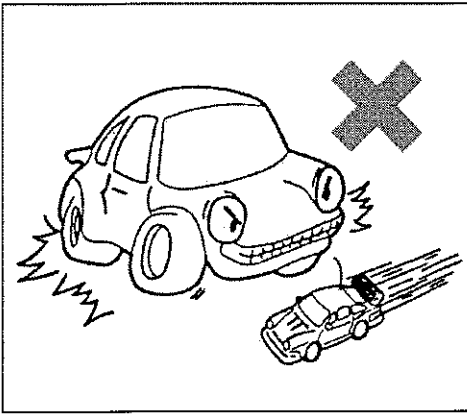
**NOTE:** TRANSMITTER TURNS ON AUTOMATICALLY AND OFF WHEN NOT IN USE.

## WHEEL ALIGNMENT



ADJUST THE DIRECTION TRIMMER ON UNDERSIDE OF VEHICLE IF THE VEHICLE DOES NOT RUN STRAIGHT, TURN TO LEFT OR RIGHT UNTIL YOUR DESIRED ALIGNMENT IS REACHED.

# IMPORTANT NOTICE:



1. Do not mix old and new batteries.
2. Do not mix alkaline, standard (Carbon Zinc) or rechargeable (Nickel-Cadmium) batteries.
3. Batteries should be replaced by adults because of small parts.
4. Batteries are to be inserted with correct polarity.
5. Non-rechargeable batteries are not to be charged.
6. Only batteries of the same or equivalent type as recommended are to be used.
7. Expired batteries are to be removed from the toy and disposed of safely.
8. Don't operate your car in dangerous places.
9. Don't put your car and transmitter near any source of HEAT.
10. Don't run through water, including pools or puddles.
11. Avoid all possible collisions. Check the road ahead and watch for obstacles.
12. Avoid your car and transmitter antennas touching each other.
13. Don't operate your car in the vicinity of another radio-controlled car with the same frequency.
14. Don't leave your car and transmitter outside overnight. Night dampness will cause harm.
15. Don't forget to remove batteries from your car and transmitter if you are not going to operate the car again soon.
16. If malfunction occurs, replace batteries.
17. The supply terminals must not to be short-circuited.

Hereby, Enertec declares that this 7004/70049 and 1237/12371 are in compliance with the essential requirements and other relevant provisions of Directive 1999/5/EC.

**CE 1177 !**

Declaration of Conformity  
 Trade name: ENERTEC  
 Model No.: 12371  
 Responsible Party: Playtimes Sales & Marketing Co LLC  
 Address: 200 Fifth Avenue, Room 310  
 New York, NY 10010  
 USA  
 Telephone No.: (212) 243 5522

This device complies with Part 15 of FCC Rules.  
 Operation is subject to the following two conditions: (1) This device may not cause harmful interference, and (2) This device must accept any interference received, including interference that may cause undesired operation.



FCC Compliant  
 FCC ID: OGM12371 TX-27  
 FCC ID: OGM12371 TX-49

This equipment has been tested and found to comply with the limits for a Class B digital device, pursuant to Part 15 of the FCC Rules. These limits are designed to provide reasonable protection against harmful interference in a residential installation. This equipment generates, uses and can radiate radio frequency energy and, if not installed and used in accordance with the instructions, may cause harmful interference to radio communications. However, there is no guarantee that interference will not occur in a particular installation. If this equipment does cause harmful interference to radio or television reception, which can be determined by turning the equipment off and on, the user is encouraged to try to correct the interference by one or more of the following measures:

- Reorient or relocate the receiving antenna.
- Increase the separation between the equipment and receiver.
- Connect the equipment into an outlet on a circuit different from that to which the receiver is connected.
- Consult the dealer or an experienced radio/TV technician for help.

Changes or modifications not expressly approved by the party responsible for compliance could void the user's authority to operate the equipment.