

go for a drive

- 5a.** Turn switch on bottom of vehicle to "On" position before playing.
- 5b.** Press on left transmitter control to move vehicle forward or backward. Press on right control to turn right or left. *Note: Transmitter turns on and off automatically during operation. Transmitter LED glows to indicate that signal is transmitting.*
- 5c.** If car does not drive straight, move the steering trim (on bottom of vehicle) to adjust the wheel alignment. *Note: Be sure to turn vehicle to "Off" position when not in use.*

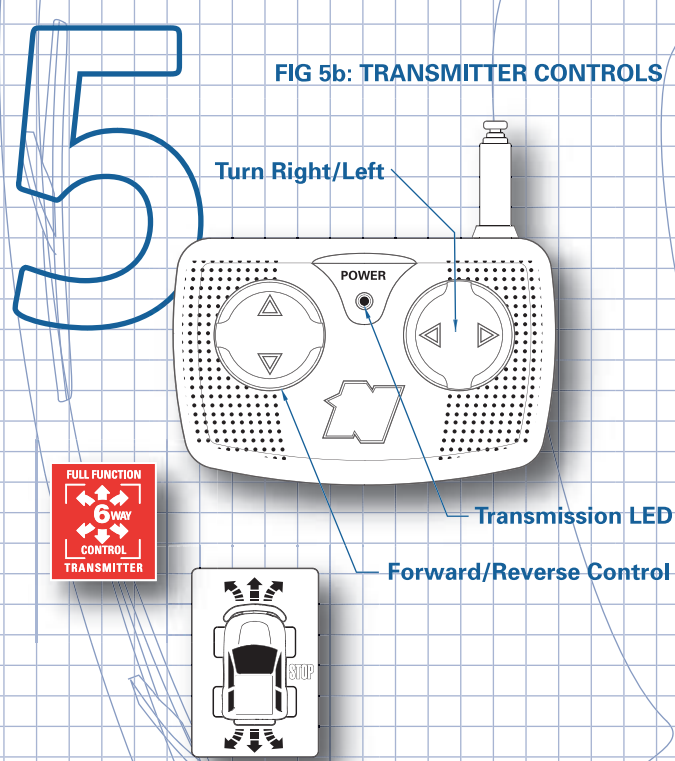
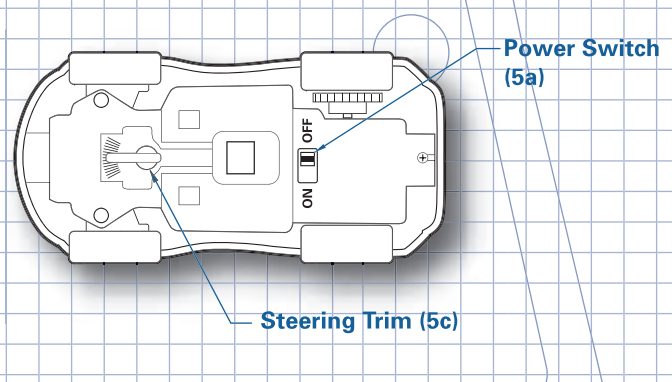
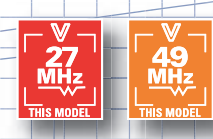


FIG 5a & 5c: VEHICLE UNDERSIDE



VERY IMPORTANT: Match controller frequency (27MHz or 49MHz) to vehicle frequency. See MHz stickers located on each component.



WARNING: CHOKING HAZARD - Small Parts. Not for children under 3 years.

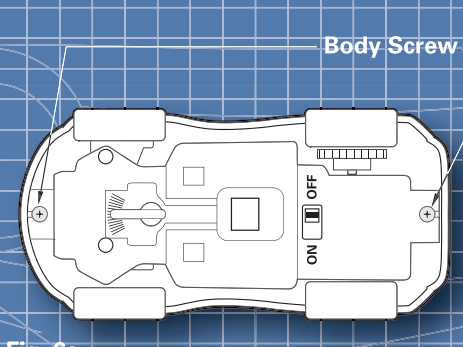
SAFETY AND PLAYING TIPS
 Vehicles are designed to run only on smooth, clean surfaces. Never drive your Racer on streets. Do not play outdoors during thunderstorms. Do not drive your Racer in sand or through water or snow. Be careful not to drive out of transmitter frequency range- you may lose control of your vehicle. Wipe clean with a dry towel after play. Do not use chemicals or detergents as they can damage the body. Do not store vehicles or transmitter in direct sunlight. Keep fingers, hair, and loose clothing away from the spinning wheels. Operation of multiple vehicles in close proximity may cause interference or poor performance. High voltage power lines may cause radio interference. If your Racer appears to lose range or power, try recharging Racer or replacing charger batteries.

ENERTEC 1632/4-49
 FCC ID: DGM-1632-4-27
 FCC ID: DGM-1632-4-49

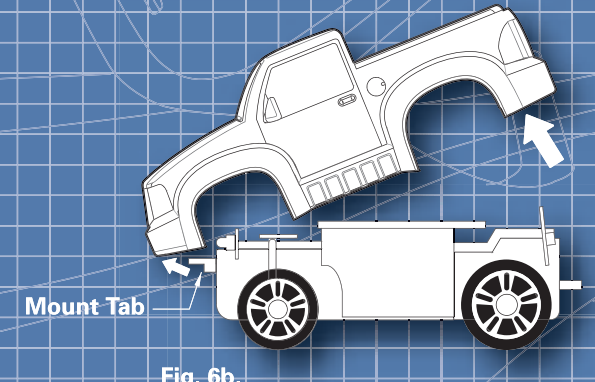
This equipment has been tested and found to comply with the limits for a Class B digital device, pursuant to Part 15 of the FCC Rules. These limits are designed to provide reasonable protection against harmful interference in a residential installation. This equipment generates, uses and can radiate radio frequency energy and, if not installed and used in accordance with the instructions, may cause harmful interference to radio communications. However, there is no guarantee that interference will not occur in a particular installation. If this equipment does cause harmful interference to radio or television reception, which can be determined by turning the equipment off and on, the user is encouraged to try to correct the interference by one or more of the following measures:
 - Reorient or relocate the receiving antenna.
 - Increase the separation between the equipment and receiver.
 - Connect the equipment into an outlet on a circuit different from that to which the receiver is connected.
 - Consult the dealer or an experienced radio/TV technician for help.
MODIFICATIONS NOT AUTHORIZED BY THE MANUFACTURER MAY VOID USER'S AUTHORITY TO OPERATE THIS DEVICE

change the body

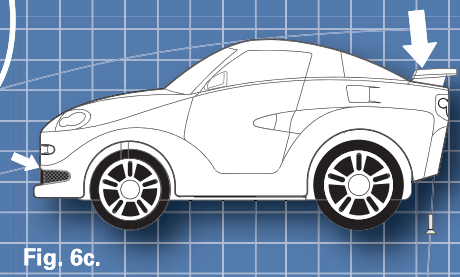
(OPTIONAL)



6a. Turn switch to off. Remove screw on bottom rear of vehicle.



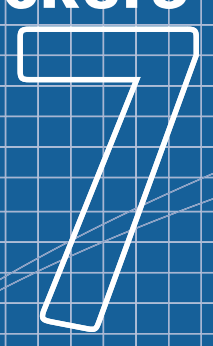
6b. Note position of mount tab at front of vehicle. Gently remove body from chassis and be careful not to damage lights.



6c. Replace with new body. Replace screw. Be careful to not overtighten.

apply stickers

(OPTIONAL)



7a. Clean body of vehicle using a lint free cloth. If needed, apply a small quantity of rubbing alcohol to cloth to remove excess dirt or grease. Be sure body is completely dry before applying stickers.

7b. Remove self-adhesive stickers from sheet and apply to car or truck body where desired. It may be helpful to use a toothpick or pin to help place small stickers.

Scenario #20698

NAKAMICHI RACER SET

owners manual

© 2003 Sekanis LLC, McHenry, IL USA. All Rights Reserved. Made and Printed in China. Please keep this instruction for future reference.