

INSTALLER: Leave this manual with the appliance.
CONSUMER: Retain this manual for future reference.

UNVENTED ROOM HEATER

MODELS:	<u>26-GULP</u>	<u>26-GUNG</u>
	<u>60-SHULP</u>	<u>60-SHUNG</u>
	<u>60-TRULP</u>	<u>60-TRUNG</u>
	<u>26-GUHLP</u>	<u>26-GUHNG</u>
	<u>60-SHUHLP</u>	<u>60-SHUHNG</u>
	<u>60-TRUHLP</u>	<u>60-TRUHNG</u>

INSTALLATION AND OPERATING INSTRUCTIONS

England's Stove Works highly recommends the use of smoke detectors and Carbon Monoxide detectors with any hearth product, including this unit. Follow all manufacturer's instructions when using smoke or Carbon Monoxide detectors.

This appliance may be installed in an aftermarket, permanently located, manufactured (mobile home), where not prohibited by code.

This appliance is only for use with the type of gas indicated on the rating plate. This appliance is not convertible for use with other gases.

Warning: Improper installations, adjustments, alterations, service or maintenance can cause injury, property damage, or loss of life; refer to this manual. A qualified installer, service agency or the gas supplier must perform installation and service.

WARNING: IF THE INFORMATION IN THIS MANUAL IS NOT FOLLOWED EXACTLY A FIRE OR EXPLOSION MAY RESULT CAUSING PROPERTY DAMAGE, PERSONAL INJURY OR LOSS OF LIFE.

•Do not store or use gasoline or other flammable vapors and liquids in the vicinity of this or any other appliance.

A QUALIFIED INSTALLER, SERVICE AGENCY OR GAS SUPPLIER MUST PERFORM INSTALLATION AND SERVICE. CLOTHING OR OTHER FLAMMABLE MATERIAL SHOULD NEVER BE PLACED ON OR NEAR THE APPLIANCE.

→WHAT TO DO IF YOU SMELL GAS←

- Do not try to light any appliance.
- Do not touch any electrical switch; do not use any phone in your building.
- Immediately call your gas supplier from a neighbor's phone. Follow the gas supplier's instructions.
- If you cannot reach your gas supplier, call the fire department.

This is an unvented gas-fired heater. It uses air (oxygen) from the room in which it is installed. Provisions for adequate combustion and ventilation air must be provided. Refer to Installation Instructions.



A letter from our Technical Support department:

Thank you for purchasing this fine product from England's Stove Works!

England's Stove Works was started, and is still owned by, a family that believes strongly in a "Do It Yourself" spirit – that's one reason you found this product at your favorite "Do It Yourself" store.

We intentionally design and build our stoves so that any homeowner can maintain his or her unit with basic tools, and we're always more than happy to show you how to do the job as easily and as inexpensively as possible.

From our free, downloadable service sheets; to our Pellet Service Video; to our new "wizard-style," click-through Troubleshooting guide on our web site, we have always tried to help our customers stay "heat-ready," especially when oil and electricity prices continue to skyrocket.

Please look at our vast Help section on our web site and call our Customer Service department at (800) 245-6489 if you need any help with your unit. We are nearly always able to help "walk you through" any repairs, problems or questions you may have.

PLEASE NOTE: While information obtained on our web site and through our 800 number is always free of charge, there will be a service charge incurred with any "on-site" repairs or maintenance that we may arrange.

Wishing you years of efficient, quality and "comfy" heating,
England's Stove Works
Technical Support Department

www.englishstoves.com

(800) 245-6489

IF YOU HAVE A PROBLEM WITH THIS UNIT DO NOT RETURN IT TO THE DEALER.
CONTACT TECHNICAL SUPPORT at (800) 245-6489.

INSTALLATION INSTRUCTIONS

1. Minimum inlet gas supply pressure must be 5.5" w.c. for natural gas and 11" w.c. for propane (LP) gas for the purpose of adjustment. Maximum gas supply pressure must not exceed 10.5" w.c. with natural gas, or 14" w.c. with propane (LP) gas. Use the correct gas type for your appliance — check the tag for gas type and do not convert from one to the other. If you are using propane the tank must be located outdoors.
Warning: Connecting directly to an unregulated propane tank can cause an explosion.
2. Make gas connection grate assembly with:
 - a) Black iron pipe with malleable iron fittings.
 - b) An AGA approved corrugated metal connector (not to exceed two feet (2') in length).
 - c) Copper pipe or tubing, if acceptable to the authority having jurisdiction. Copper pipe must be tinned.
3. Turn on the gas supply and check for leaks. **DO NOT USE AN OPEN FLAME.** Use a soap and water solution for this check.
4. For the correct log positioning refer to "SET ASSEMBLY" as described later in the manual.
5. Installation and provisions for combustion and ventilation air must conform to local codes or in their absence the National Fuel Gas Code – Z21.11.2-2007.
6. Keep the operating area clear and free of combustible materials, gasoline and other flammable liquids and vapors.
7. The appliance and its individual shut off valve must be disconnected from the gas supply piping system during any pressure testing of the gas supply piping system at least equal to or less than ½ psig (3.5 kPa).
8. A one-eighth inch (1/8") N.P.T. plugged tapping, accessible for test gauge connection must be provided immediately upstream of the gas supply connection to the appliance.
9. Never install appliance in: bedroom or bathroom, high traffic areas, recreational vehicles, windy or drafty areas, or where curtains, furniture, clothing or flammable objects are less than forty-two inches (42") from the front of the appliance.

Important: The copper heat sensor attached to the valve should be placed **outside** and to the **rear** of the stove for a more accurate room temperature reading.

Visit our web site at www.englishstoveworks.com for helpful information, frequently asked questions, parts and accessory orders and more.

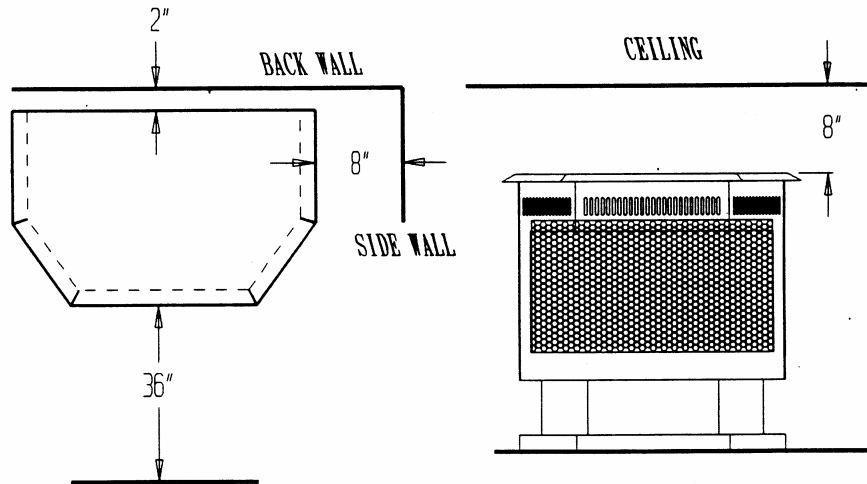
Technical Problems: (800) 245-6489

Parts orders ONLY: (800) 516-3636

GAS RATINGS

<u>TYPE OF GAS</u> →	<u>NATURAL</u>	<u>L.P./PROPANE</u>
MAX. INPUT	34,500 BTU/HR	30,000 BTU/HR
MIN. INPUT	20,000 BTU/HR	20,000 BTU/HR
MANIFOLD PRESSURE	3.5" W.C.	10" W.C.
M/FOLD PRESSURE LOW	1.0/3.5" W.C.	4.5/10.0" W.C.
MIN. INLET PRESSURE	5.0" W.C.	11.0" W.C.
MIN. SUPPLY PRESSURE	5.5" W.C.	11" W.C.
MAX. SUPPLY PRESSURE	10.5" W.C.	14" W.C.
ORIFICE SIZE	#34	#51

MINIMUM CLEARANCES TO COMBUSTIBLES



England's Stove Works highly recommends the use of smoke detectors and Carbon Monoxide detectors with any hearth product, including this unit. Follow all manufacturer's instructions when using smoke or Carbon Monoxide detectors.

THIS APPLIANCE SHALL BE INSTALLED ON A METAL OR WOOD PANEL THAT EXTENDS THE FULL WIDTH AND DEPTH OF THE APPLIANCE WHEN INSTALLED ON A COMBUSTIBLE SURFACE OTHER THAN WOOD.

WARNING: WHEN USED WITHOUT FRESH AIR THIS HEATER MAY GIVE OFF CARBON MONOXIDE, AN ODORLESS POISONOUS GAS.

OPEN A WINDOW AN INCH OR TWO FOR COMBUSTION AIR.

WARNING
This appliance is equipped for (natural or propane) gas. Field conversion is not permitted.

This heater is equipped with a **PILOT LIGHT (OXYGEN DEPLETION SENSOR) SAFETY SYSTEM** designed to turn off the unit if there is not sufficient fresh air available. If the appliance keeps shutting off, have it serviced.

DO NOT TAMPER WITH THE PILOT LIGHT (ODS) SAFETY SYSTEM!

Keep the burner and control compartment clean.

CARBON MONOXIDE POISONING MAY LEAD TO DEATH

Early signs of carbon monoxide poisoning resemble the flu, with headache, dizziness and/or nausea; if you have these signs the heater may not be operating properly. **Get fresh air at once!** Have the heater serviced by a qualified technician.

Some people – pregnant women, people with heart or lung disease or anemia, those under the influence of alcohol, or those at high altitudes are more affected by carbon monoxide.

THE INSTALLATION MUST CONFORM TO LOCAL CODES OR, IN THE ABSENCE OF LOCAL CODES, THE CURRENT NATIONAL FUEL GAS CODE – ANSI Z223.1 (NFPA 54).

ANY SAFETY SCREEN OR GUARD REMOVED FOR SERVICING THIS UNIT MUST BE REPLACED PRIOR TO OPERATING THE HEATER.

CHILDREN AND ADULTS SHOULD BE ALERTED TO THE HAZARDS OF HIGH SURFACE TEMPERATURES AND SHOULD STAY AWAY TO AVOID BURNS OR CLOTHING IGNITION.

YOUNG CHILDREN SHOULD BE CAREFULLY SUPERVISED WHEN THEY ARE IN THE SAME ROOM AS THE APPLIANCE.

THIS HEATER SHALL NOT BE INSTALLED IN A CONFINED SPACE UNLESS PROVISIONS ARE PROVIDED FOR ADEQUATE COMBUSTION AND VENTILATION AIR. THE NATIONAL FUEL GAS CODE DEFINES A CONFINED SPACE AS A SPACE WHOSE VOLUME IS LESS THAN 50 CUBIC FEET PER 1,000 BTU PER HOUR (4.8 CUBIC METERS PER KW) OF THE AGGREGATE INPUT RATING OF ALL APPLIANCES INSTALLED IN THAT SPACE. ROOMS COMMUNICATING DIRECTLY WITH THE SPACE IN WHICH THE APPLIANCES ARE INSTALLED THROUGH OPENINGS NOT FURNISHED WITH A DOOR, ARE CONSIDERED A PART OF THE CONFINED SPACE.

DUE TO HIGH TEMPERATURES, THE APPLIANCE SHOULD BE LOCATED OUT OF TRAFFIC AND AWAY FROM FURNITURE AND DRAPERIES.

DO NOT PLACE CLOTHING OR OTHER FLAMMABLE MATERIAL ON OR NEAR THE APPLIANCE.

INSTALLATION AND REPAIR SHOULD BE DONE BY A QUALIFIED SERVICE PERSON. THE APPLIANCE SHOULD BE INSPECTED BEFORE USE AND AT LEAST ANNUALLY BY A PROFESSIONAL SERVICE PERSON. MORE FREQUENT CLEANING MAY BE REQUIRED DUE TO EXCESSIVE LINT FROM CARPETING, BEDDING MATERIAL, ETC. IT IS IMPERATIVE THAT CONTROL COMPARTMENTS, BURNERS AND CIRCULATING AIR PASSAGEWAYS OF THE APPLIANCE BE KEPT CLEAN.

“WARNING: If the area in which the heater may be operated is smaller than that defined as an unconfined space or if the building is of unusually tight construction, provide adequate combustion and ventilation air by one of the methods described in the *National Fuel Gas Code, ANSI Z223.1/NFPA 54, Air for Combustion and Ventilation*, or applicable local codes.”

“The National Fuel Gas Code, ANSI Z223.1/NFPA 54 defines a confined space as a space whose volume is less than 50 ft³ per 1000 Btu/hr (4.8 m³ per kw) of the aggregate input rating of all appliances installed in that space and an unconfined space as a space whose volume is not less than 50 ft³ per 1000 Btu/hr (4.8 m³ per kw) of the aggregate input rating of all appliances installed in that space. Rooms communicating directly with the space in which the appliances are installed, through openings not furnished with doors, are considered a part of the unconfined space.” For example, add the BTU for each gas appliance in the room and then compare the size of the room to see if it will accept 1,000 BTU for each 50 cubic feet. The cubic feet in the room can be calculated by multiplying the length by the width times the height of the ceiling. If the room has 8-foot ceilings and is 11 feet by 15 feet, it would have 1,320 cubic feet (8x11x15). You can now multiply by 1,000 and divide this cubic volume by 50 cubic feet/1,000 BTU and the result (1,320x1,000÷50) of 26,400 represents the accumulated BTU capacity for this room size. If the result is greater than the accumulated BTU of all the appliances in the room, then the room is an unconfined space and qualifies for installation of the unvented heater. If the result is less than the accumulated BTU of all appliances in the room, then the room is a confined space and the unvented heater should not be installed in this room.

The formula for this calculation: $BTU/HT = \frac{L \times W \times H \times 1,000}{50}$

If the room has a door to an adjoining room, use only the dimensions to the room where the heater will be located. If the room has an open area between two rooms the total length, width and height can be used in your calculations.

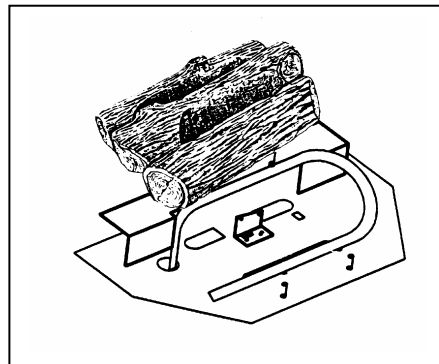
LOG ASSEMBLY

IMPORTANT! The logs **MUST** be placed exactly as shown in the diagram. If there is any evidence of carbon or blackening on the logs they may be incorrectly placed in the unit.

NOTE (Models manufactured **prior to 3/00**) – For removal of the screen you must:

- 1) Lift up on the screen.
- 2) Push the screen toward the logs, past the clips.
- 3) Push the screen down to the bottom of the firebox.
- 4) Pull the top of the screen forward and up.

For models manufactured **3/00 and later**, simply remove the four Phillips Head screws to take out the screen. Do not over-tighten the screws when reinstalling.



WARNING: ANY CHANGE TO THIS HEATER OR ITS CONTROLS CAN BE DANGEROUS.

WARNING: Failure to position the parts in accordance with this diagram or failure to use only parts specifically approved with this heater may result in property damage or personal injury.

MODIFICATIONS TO THIS APPLIANCE MAY CAUSE SERIOUS INJURY OR DEATH. ANY CHANGE WILL VOID THE WARRANTY.

WARNING: ANY CHANGE TO THIS HEATER OF ITS CONTROLS CAN BE DANGEROUS.

IF YOU DO NOT FOLLOW THESE INSTRUCTIONS EXACTLY A FIRE OR EXPLOSION MAY RESULT CAUSING PROPERTY DAMAGE, PERSONAL INJURY OR LOSS OF LIFE.

This unit has a piezo ignition pilot. When lighting the pilot, follow these instructions exactly.

- A. **BEFORE LIGHTING**, smell around the appliance area for gas. Be sure to smell next to the floor because some gas is heavier than air and will settle on the floor.

WHAT TO DO IF YOU SMELL GAS

1. Do not try to light any appliance.
2. Do not touch any electrical switch; do not use the phone in your building.
3. Call the gas supplier from a neighbor's phone. Follow their instructions.
4. Call the fire department if you cannot reach the gas supplier.

- B. Use only your hand to push in or turn the gas control knob — never use tools. If the knob will not push in or turn by hand, do not attempt to repair it. Call a qualified technician. **Force or attempted repair may result in an explosion.**

- C. Do not use the appliance if any part has been under water. Immediately call a qualified service technician to inspect the unit and to replace any of the gas control that has been under water.

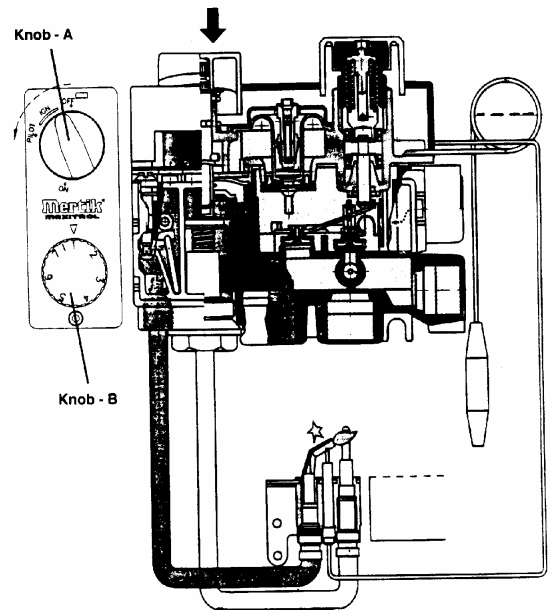
- D. Do not use this appliance for burning trash or cooking. Never place matches, paper, garbage or any other material on top of the logs or in the flame.

OPERATING INSTRUCTIONS

Pilot Gas and Lighting Procedure

- 1) Turn off all electric power to unit.
Remove control access panel.
- 2) Set thermostat to lowest setting.
- 3) Turn knob "A" clockwise to "OFF".
- 4) Wait five (5) minutes to clear out any gas.
Smell for gas —STOP—follow safety precautions if you do smell gas (If not go to step 6).
Find pilot — follow metal tube from gas control.
The pilot is between the two burner tubes.
- 5) Turn knob "A" slightly counterclockwise towards the "IGN" position until it stops. Press down and hold for five seconds (only pilot gas flows).
- 6) Continue pressing knob "A" down while turning further c/clockwise to activate the piezo. Continue to hold down for ten (10) seconds after pilot light has been lit. If the pilot light does not light, these steps can be repeated immediately. (See note below)

Note: If pilot flame is not established, equipment manufacturer (OEM) will determine the number of additional attempts to light — and with continued failure, the purge time required before further attempts.



MAIN BURNER IGNITION

- 1) Upon lighting, release knob and turn further counterclockwise ← to "ON" position (both pilot and gas flow).
- 2) Turn on all electric power to appliance.

TO TURN GAS OFF TO APPLIANCE

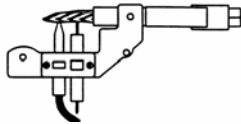
- 1) Set thermostat to the lowest setting.
- 2) Turn off all electric power to the appliance if service is to be performed.
- 3) Remove control access panel.
- 4) Turn knob "A" clockwise → until it stops.

- 3) Set thermostat to desired setting.
- 4) To turn off the gas to the main burner only, turn gas control clockwise → to pilot.

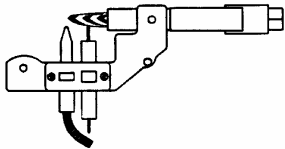
- 5) Press down slightly and continue turning clockwise → from pilot position to "OFF".
- 6) Replace control access panel.

MAINTENANCE INSTRUCTIONS

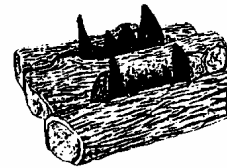
- 1) Periodic visual checks of the pilot should be conducted to ensure the flame is present except when the valve control knob is in the "OFF" position.
- 2) The pilot flame should always be present when the heater is in operation, and should just touch the top of the thermocouple tip.



- 3) If the pilot flame does not touch the thermocouple, then the main burner is unlikely to function properly.



- 4) Remove the logs from the grate assembly and vacuum any loose particles from the grate and burner area each month.
- 5) Flame Appearance
In normal operation at the full rate, after 15 minutes the flame appearance should be observed (See diagram).



Flame Appearance

- 6) All components (see parts list) are available directly through the factory. Write or telephone:

England's Stove Works, Inc.
Technical Support
P.O. Box 206
Monroe, VA 24574
(Parts Orders: 800-516-3636)
(FAX: 434-929-4810)

- 7) Installation and all repairs should be done by a qualified service person. The appliance should be inspected before use and at least annually by a qualified service person. It is imperative that control compartments, burners and circulating air passageways of the appliance be kept clean. **Note: More frequent cleaning may be required due to excessive lint from carpeting, bedding material, etc.**

WARNING: DO NOT ADJUST THE GAS ORIFICE. KEEP AREA CLEAR AND FREE FROM COMBUSTIBLE MATERIALS, GASOLINE AND OTHER FLAMMABLE VAPORS AND LIQUIDS.

WARNING: FAILURE TO KEEP THE PRIMARY AIR OPENING(S) OF THE BURNER CLEAN MAY RESULT IN SOOTING AND PROPERTY DAMAGE.

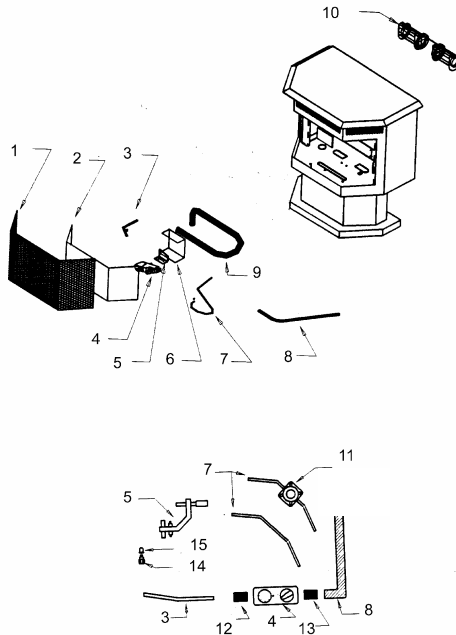
PARTS LIST

**Model 26-GUNG/26-GULP and 26-GUHNG/26-GUHLP
Model 60-SHUNG/60-SHULP and 60-SHUHNG/60-SHUHLP
Model 60-TRUNG/60-TRULP and 60-TRUHNG/60-TRUHLP**

<u>Exploded View No.</u>	<u>Part No.*</u>	<u>Part Name*</u>
1	GUV-3211	Screen
2	GUV-3033	Valve Door Cover
3	GUV-3053	Burner Tube Supply Line
NOTE: The following Valve/Burner assemblies are for GU, SHU and TRU models		
4	GUV-30LP	Gas Valve & Burner Assembly – LP
	GUV-30NG	Gas Valve & Burner Assembly – Natural
NOTE: The following Valve/Burner assemblies are for GUH, SHUH and TRUH (Hearth-adaptable models)		
	GUV-30HLP	Gas Valve & Burner Assembly – LP
	GUV-30HNG	Gas Valve & Burner Assembly – Natural
5	GUV-12741	Pilot and Bracket – LP
	GUV-50741	Pilot and Bracket – Natural
6	GUV-3012	Valve Bracket
7	GUV-31612	Pilot Supply Line – LP
	GUV-3166	Pilot Supply Line – Natural
8	GU-3053	Main Gas Supply Line
9	GUV-100	Burner Tube
10	GU-38	3/8" Brass Fitting
11	GU-3812	3/8" x 1/2" Fitting
12	GU-3814	3/8" x 1/4" Brass Fitting
13	GU-LP051	Burner Orifice
14	GU-NG034	#51 – LP; #34 – Natural
15	GUV-L1	Log Set
16	GUV-3215	Two (2) Piece Brass Trim
<u>OPTIONS:</u>		
	AC-26BA	Complete Blower (Variable Speed)
	STB-UV/SHTB-UV	Fireplace Cover (<i>Hearth Model only</i>)
	AC-104-G/SH-104-G	Brass Backplate Trim (<i>Hearth Model only</i>)

*Note: Only one of each part is required per stove.

*Note: Parts orders *ONLY*: call (800) 516-3636. Technical problems: call (800) 245-6489.



TROUBLE SHOOTING GUIDE

ITEMS IN THIS GUIDE MARKED WITH AN ASTERISK (*) SHOULD ONLY BE PERFORMED BY A LICENSED GAS FITTER OR EQUIVALENT.

WARNING

Turn off and let the unit cool before servicing.
Only a qualified service person should service or repair this unit.

CAUTION

Never use a wire, needle, or similar object to clean the ODS pilot.
This can damage the pilot.

<u>PROBLEM</u>	<u>POSSIBLE CAUSE</u>	<u>SOLUTION</u>
When ignitor is pressed there is no ODS pilot.	Ignitor electrode positioned wrong. →	*Replace ignitor electrode.
	Ignitor electrode broken. →	*Replace ignitor electrode.
	Ignitor electrode not connected to ignitor cable. →	*Replace ignitor cable.
	Ignitor cable pinched or wet. →	*Free ignitor cable if pinched by any metal or tubing. Keep ignitor cable dry. Replace cable if spark still isn't there after freeing the pinched wire.
Flame seems to blow out or will not light.	Air in the gas line.→	Purge air from line (Check to ensure gas is going to pilot.)
Appliance produces odors.	Stove burning vapors from paint, hair spray, glue, etc.→	Ventilate room. Stop using products while operating unit.
	Gas leak. See warning label on cover.→	*Locate and correct all leaks.
Gas odor even when control knob is in "OFF" position.	Gas leak. See warning label on cover.→	*Locate and correct all leaks.
	Control valve defective.→	*Replace control valve.
Smoke or odor during initial burn.	Vapors from paint or production process.→	Unit curing out. Will stop.
Strong gas smell.	LP fuel may have additives or be poor quality.→	*Shut off gas. Check supplier.
	Excess gas pressure.→	*Call utility company/installer.
Gas smell – sooting.	Logs may be out of place.→	Compare placement of logs to the diagram in the manual.
	Orifice size may be incorrect.→	Replace if incorrect.
When ignitor button is pressed, there is spark at ODS and no ignition.	Gas supply turned off or manual shutoff valve is closed.→	Turn on gas or open supply.
	Control knob not in "PILOT" position.→	Correct knob position.
	Air in gas line when installed.→	Purge air from system by holding down control knob. Repeat ignition.
	"ODS" pilot is clogged.→ Gas regulator setting is incorrect.→	*Replace "ODS" assembly. *Replace gas regulator.

PROBLEM**POSSIBLE CAUSE****SOLUTION**

Pilot will not stay lit.

Altitude is above 4000 ft.; ODS sensor requirement for air not satisfied.→

Altitude is too high.

Defective thermopile.→

*Replace thermopile.

Pilot orifice may be clogged.→

*Clean out pilot orifice.

Defective valve magnet.→

*Replace valve.

"ODS" pilot lights, but flame dies when control knob is released.

Control knob not fully pressed in.→

Press in knob completely.

Control knob not pressed in long enough.→

Hold 30 sec. after pilot lights.

Manual shut-off valve not fully open.→

Fully open shut-off valve.

Pilot flame not touching thermopile, which causes it to cool and shut off the pilot flame.

Low gas pressure.→

*Contact gas supplier.

Dirty or clogged "ODS" pilot.→

*Replace assembly or service.

Thermopile damaged.→

*Replace thermopile.

Control valve damaged.→

*Replace control valve.

Flame too low.

Burner orifice clogged.→

*Clean burner; replace orifice.

Orifice is too small.→

*Replace orifice if necessary.

Inlet gas pressure too low.→

*Contact gas supplier.

Burner will not come on or has low flame (pilot is okay).

Problem with gas pressure.→

*Check gas pressure.

Control not on or is set on "LOW".

Move to "HIGH" setting.

Gas valve may be clogged due to debris entering valve during installation.→

*Replace gas valve.

Faulty gas valve.→

*Replace gas valve.

Burner will not come on or has an extremely low flame (pilot okay).

Burner ports and/or carryover ports may be clogged.→

*Check and clean ports.

Delayed ignition of burner.

Manifold pressure is too low.→

*Contact gas supplier.

Burner or orifice is clogged.→

*Check and clean both.

Burner backfiring during ignition.

Orifice clogged or damaged.→

*Clean and/or replace.

Burner damaged.→

*Clean and/or replace.

Burner will not come on.

Dirt on valve seal.→

*Replace valve.

Control knob frozen – will not turn.

Defective valve; foreign material.→

*Replace valve.

Carbon or sooting on logs.

Logs out of position.→

See log placement in manual.

Air holes on burner tube obstructed.→

*Clean if necessary.

Gas type does not match stove.→

Check designation on valve.

Oversized orifice.→

*Change if necessary.

LP fuel may have additives.→

*Check with gas supplier.

Gas pressure may be incorrect.→

*Check with gas supplier.

WARRANTY INFORMATION

◆KEEP THIS WARRANTY◆

Model # _____

Serial # _____

Date Purchased _____

Manufacture Date _____

Purchased From (Dealer) _____

NOTE: Always specify model and serial numbers when communicating with the factory. We reserve the right to amend these specifications at any time without notice. The only warranty applicable is our standard written warranty. We make no other warranty, expressed or implied.

LIMITED WARRANTY

This unvented gas heater firebox is warranted for a period of five (5) years; the logs, valve, burner and all other components for a period of one (1) year from the date of purchase against defects in material or workmanship. This warranty covers only the cost of defective parts and applies only to the original consumer purchaser. The replacement of defective parts will be without charge. This warranty does not extend to:

1. Heater damage by accident, neglect, misuse, abuse, alteration, negligence of others, improper installation, including the installation thereof by unqualified installers.
2. The costs of removal, reinstallation or transportation of defective parts on the heater.
3. Incidental or consequential damage.

This warranty is expressly in lieu of other warranties, expressed or implied, including the warranty of merchantability of fitness for purpose and of all other liabilities, England Stove Works, Inc. does not assume for it, any other obligation or liability in connection with the sale or use of this heater.

A QUALIFIED INSTALLER in accordance with the instructions furnished with the unit MUST INSTALL the heater. The defective heater should be returned at your expense to the dealer from whom the product was purchased or an authorized service agent. Any products presented for warranty repair must be accompanied by a dated proof of purchase. Since some states do not allow the exclusion on limitation of incidental or consequential damage, or on how long an implied warranty lasts, the above limitations may not apply to you.

WARRANTY REGISTRATION for England's Stove Works

Purchased by (Name) _____

Address _____

City _____ State _____ Zip _____

Telephone _____

Email Address _____

DEALER INFORMATION

Purchased From (Dealer) _____

Address _____

City _____ State _____ Zip _____

UNIT INFORMATION –

(Please be sure to refer to sticker on back of manual or box to complete this section)

Model Number _____ Purchase Date _____

Purchase Price _____

Serial Number _____ Mfg. Date _____

How did you first hear about our product? (please check one)

Word of Mouth Burn Trailer Demonstration Internet

Other: _____

Where did you receive information about our product? (please check one)

Rec'd. info. via phone Dealer (Name of dealer): _____

Internet Other: _____

IMPORTANT NOTICE

THIS REGISTRATION INFORMATION MUST BE ON FILE FOR THIS WARRANTY TO BE VALID. PLEASE MAIL THIS INFORMATION WITHIN THIRTY (30) DAYS FROM THE DATE OF PURCHASE.

Mail To:

England's Stove Works, Inc.
Customer Service Department
P.O. Box 206
Monroe, VA 24574

Or, Fax To:

(434) 929-4810 – 24 hours a day

Or, now available – Go online to complete your Warranty Registration!

Visit www.englishstoveworks.com if you prefer to register online.